











Assembly Instructions

Caution : You must read this before you proceed

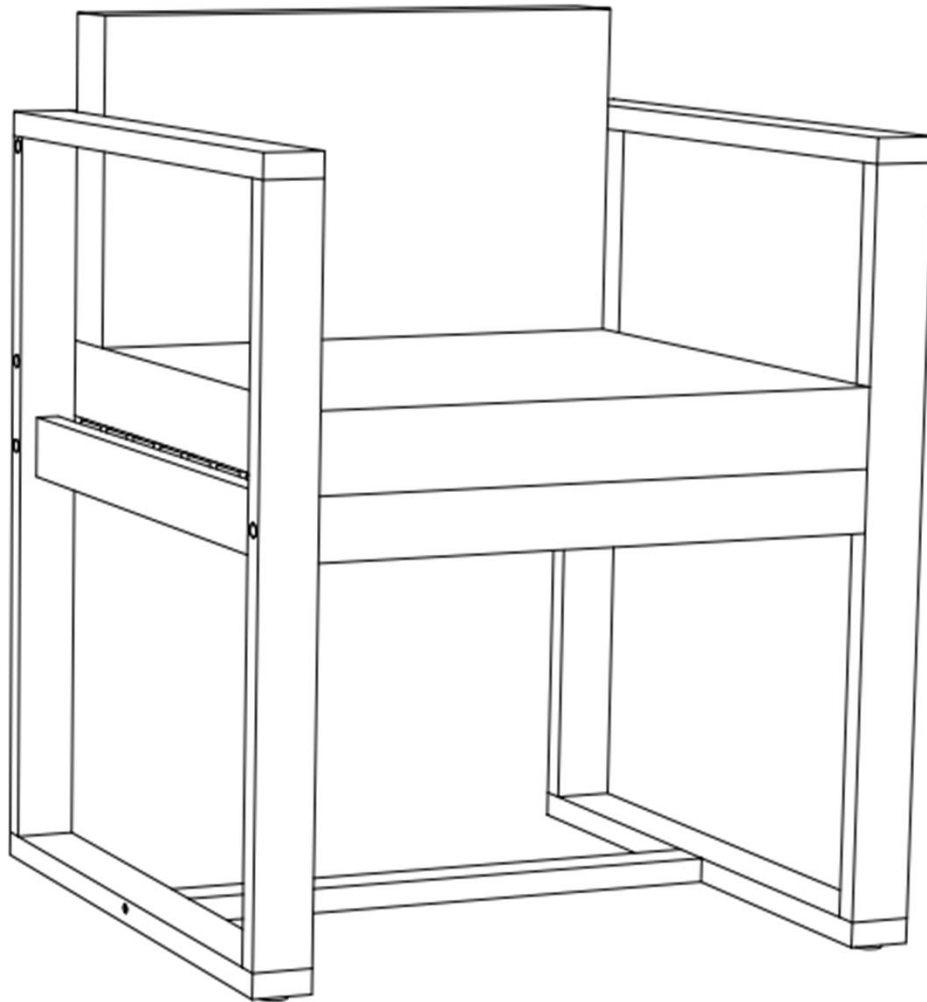
Care & Maintenance

- ⊘  ● Not for commercial use. For residential use only.
- ⊘  ● Prolonged exposure to rain may cause rusting which can stain floors.
- ⊘  ● Do not put hot items directly on furniture surface.
- ⊘  ● Do not clean furniture with harsh cleansers or polish.
- ✓  ● To obtain the longest lifespan of your outdoor products, minimizing exposure to direct sunlight is recommended.
- ⊘  ● Children should not climb or jump on the furniture.
- ⊘  ● Do not write on furniture without a padded barrier to protect the surface.
- ✓  ● To obtain the longest lifespan of your outdoor products, avoid extended and lengthy exposure to rain, snow, and direct sunshine. Whenever possible cover the product and /or place under patio or awnings.
- ⊘  ● Stains may be removed with mild soap solution and damp cloth.
- ✓  ● Dust and pick-up spills using a clean, non-colored, lint-free cloth.

Caution : You must read this before you proceed

Please look in the box places for hardware packs and legs

CHAIR



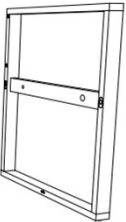


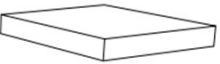



Caution: This Chair is NOT a TOY









Keep your child/ children at bay during the assembly process.

Whenever moving/lifting the Chair and to prevent damage to the Chair two adults are needed to execute these actions.

Parts List

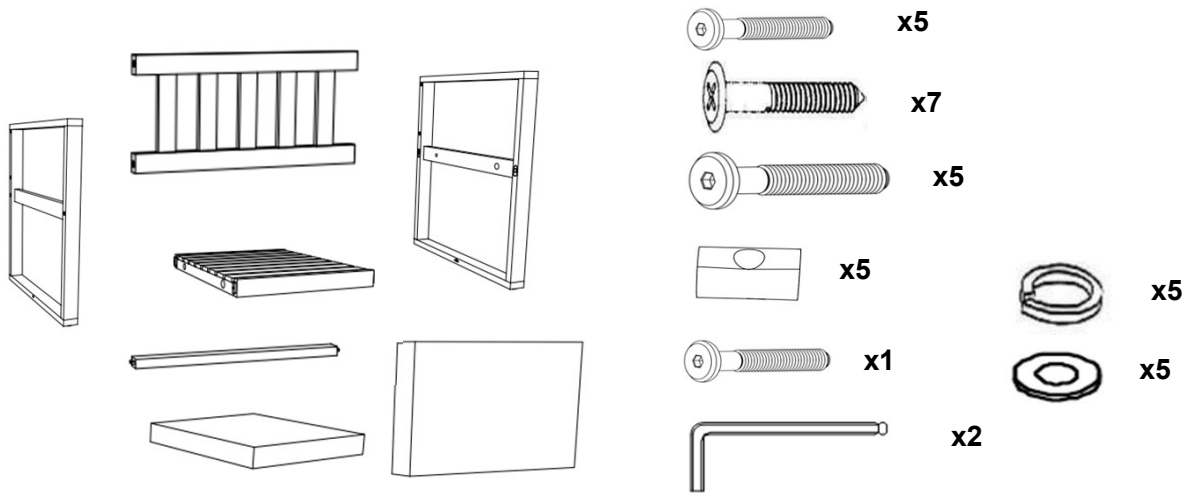
Label	Picture	Description	QTY
A	 A line drawing of a rectangular backrest panel with a horizontal top rail, a horizontal bottom rail, and seven vertical slats connecting them.	Backrest Panel	1
B	 A line drawing of a rectangular seat panel with a grid-like pattern of horizontal and vertical lines, representing a mesh or woven surface.	Seat Panel	1
C	 A line drawing of a rectangular leg panel with a horizontal crossbar near the top and a horizontal crossbar near the bottom, forming a frame.	Right Leg Panel	1
D	 A line drawing of a rectangular leg panel, identical to the right leg panel, with a horizontal crossbar near the top and a horizontal crossbar near the bottom.	Left Leg Panel	1
E	 A line drawing of a long, thin, rectangular cross bar.	Cross Bar	1
F	 A line drawing of a rectangular seat cushion with a slightly raised edge.	Seat Cushion	1
G	 A line drawing of a rectangular back cushion with a slightly raised edge.	Back Cushion	1






Hardware

Label	Picture	Description	QTY
①		Bolt (M6x45mm)	5
②		Screw (M6x90mm)	7
③		Bolt (M6x100mm)	5
④		Nut (Ø6x13mm)	5
⑤		Bolt (M6x50mm)	1
⑥		Spring Washer (M6,5x2mm)	5
⑦		Washer (M6,5x2mm)	5
⑧		Allen Key	2

Assembly Preparation

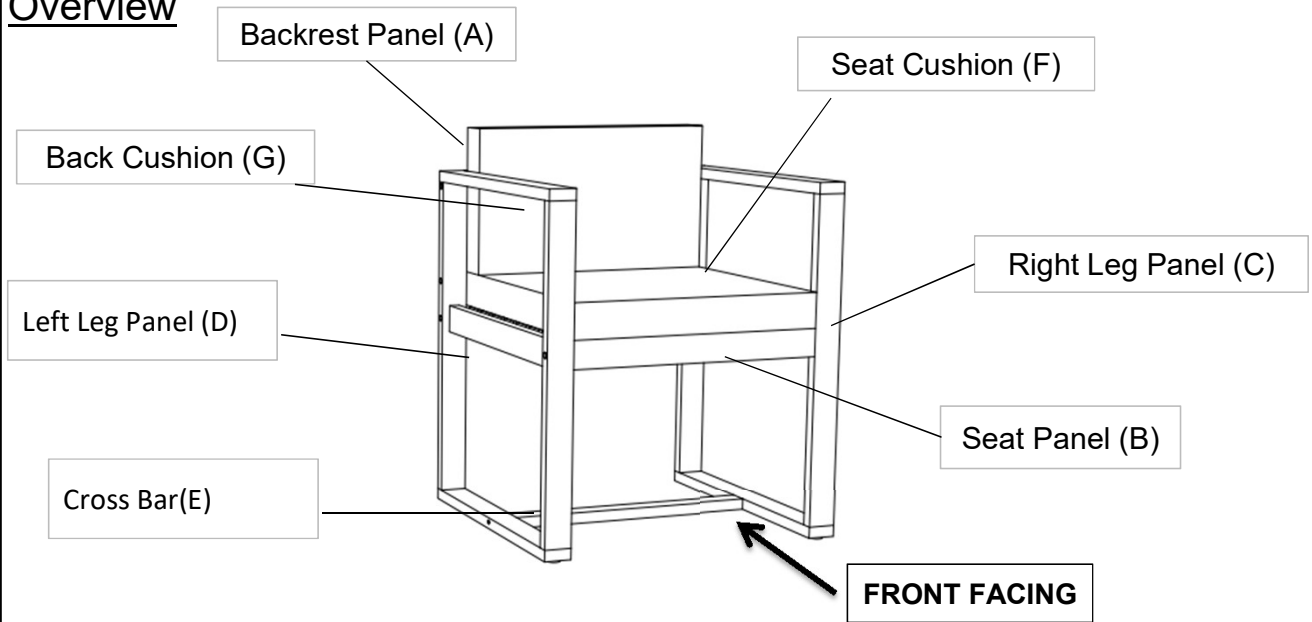
Before Beginning Assembly:



-  • Read instructions, cover to cover-
-  • Have 2 adults on hand for assembly-
-  • Do not assemble on flooring or carpet-
-  • Assemble on a clean non-marring surface (packing foam)-
-  • Save all packaging until finished-

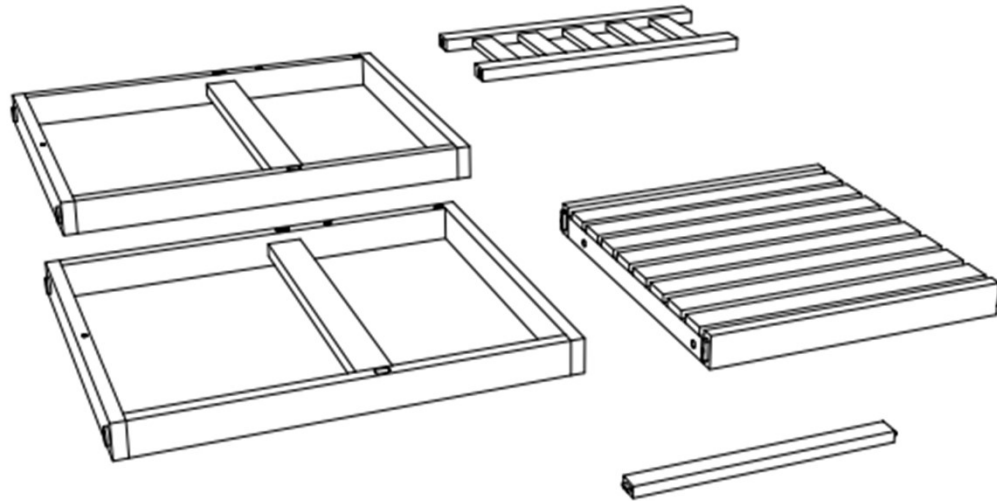
Assembly Steps

Overview



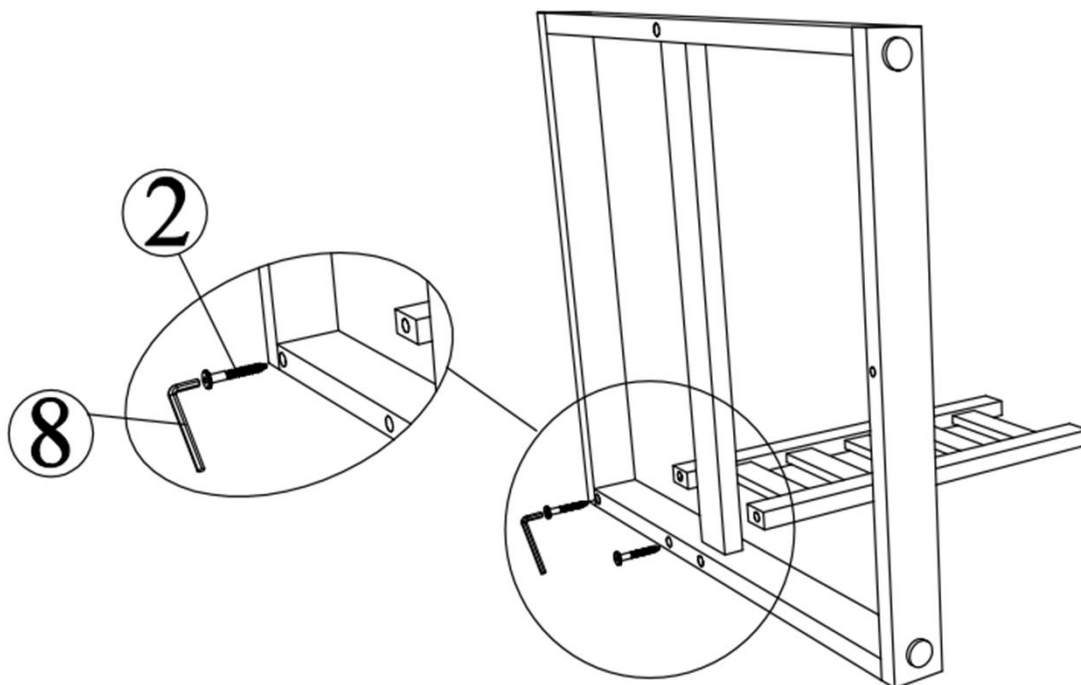
This Chair has multiple parts and may require up to 30 minutes to assemble. To give you an overview of the Chair parts, the above picture is to help you put the various parts into perspective. Please read through the instructions below to familiarise yourself with the parts and steps before assembly.

Step 1



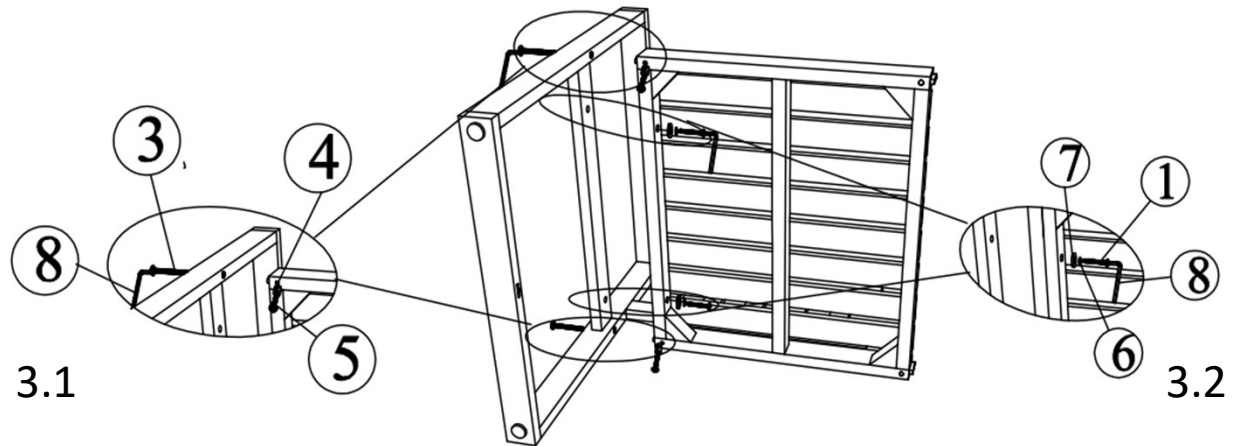
Unpack and place all parts on a clean, non-marring surface.

Step 2



Place the Backrest Panel(A) facedown onto a clean, non-marring surface.
Align Left Leg Panel (D) to Backrest Panel(A) then attach using Screw (②) with Allen Key (⑧).
Do not fully tighten the Bolts.

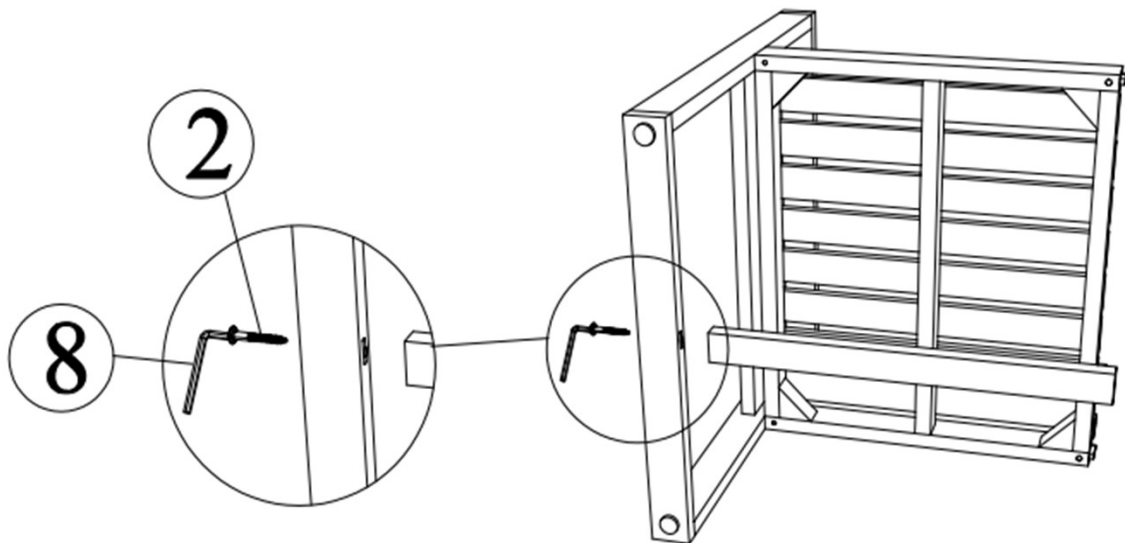
Step 3



3.1. Attach Seat Panel(B) to Left Leg Panel (D) using Bolts(③), Nut (④) and Bolt (⑤) with Allen Key(⑧).
3.2. Attach Seat Panel(B) to Left Leg Panel (D) using Bolts (①) Spring Washers(⑥) Washers(⑦) with Allen Key(⑧).

Do not fully tighten the Bolts.

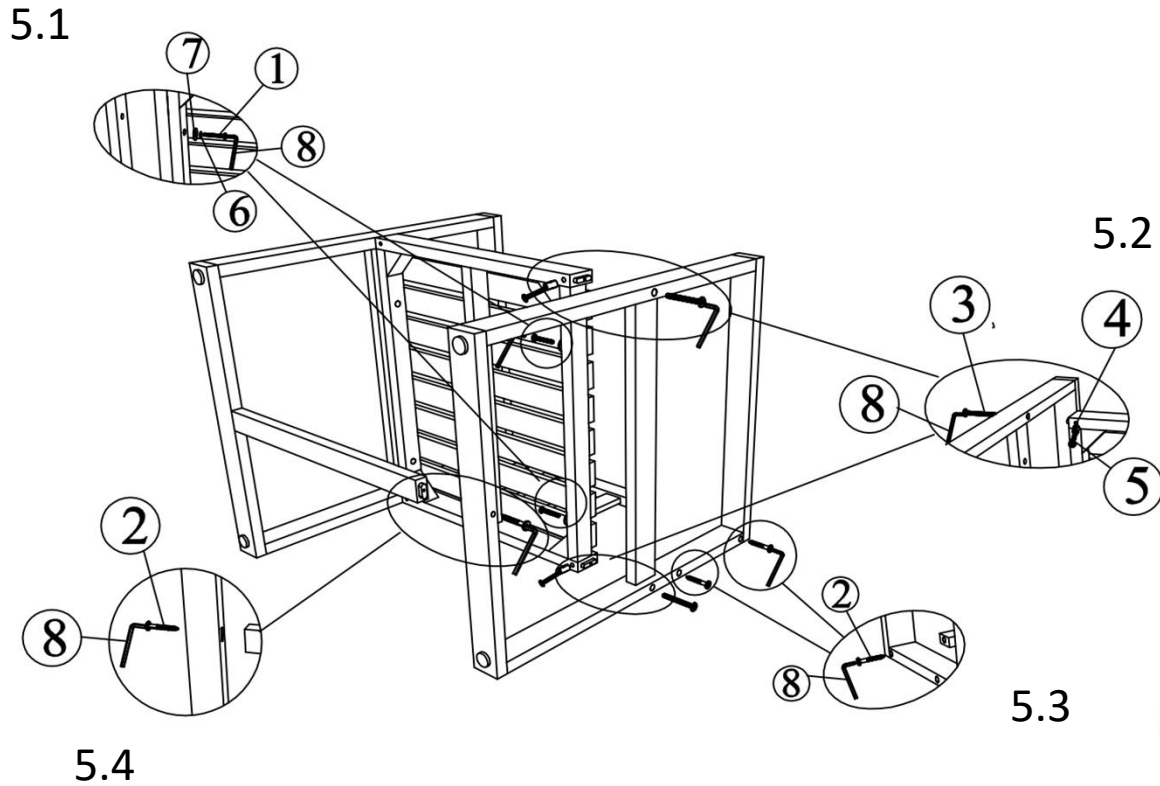
Step 4



Attach Left Leg Panel (D) to Cross Bar (E) using Screw (②), with Allen Key (⑧).

Do not fully tighten the Bolts.

Step 5



With assistance from your adult partners, attach the assembled part in the Step 5 to the Right Leg Panel (C) as shown above.

5.1. Attach Seat Panel(B) to Right Leg Panel (C) using Bolts (1) Spring Washers(6) Washers(7) with Allen Key(8).

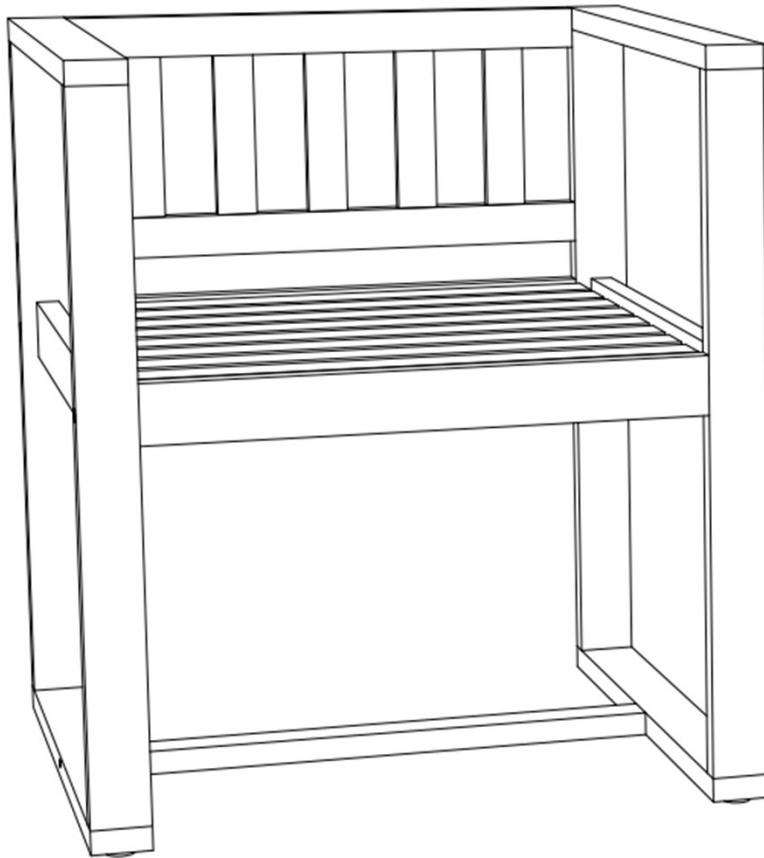
5.2. Attach Seat Panel(B) to Right Leg Panel (C) using Bolts(3), Nut (4) and Bolt ((5) with Allen Key(8).

5.3. Align Right Leg Panel (C) to Backrest Panel (A) then attach using Screw ((2) with Allen Key (8).

5.4. Attach Right Leg Panel (C) to Cross Bar (E) using Screw ((2), with Allen Key (8).

Do not fully tighten the Bolts.

Step 6



Place the Chair on a LEVEL SURFACE.

Inspect it and make sure all parts are adequately connected.

Gently and gracefully, sit into to the Chair.

This will help to align all the parts at all joint areas.

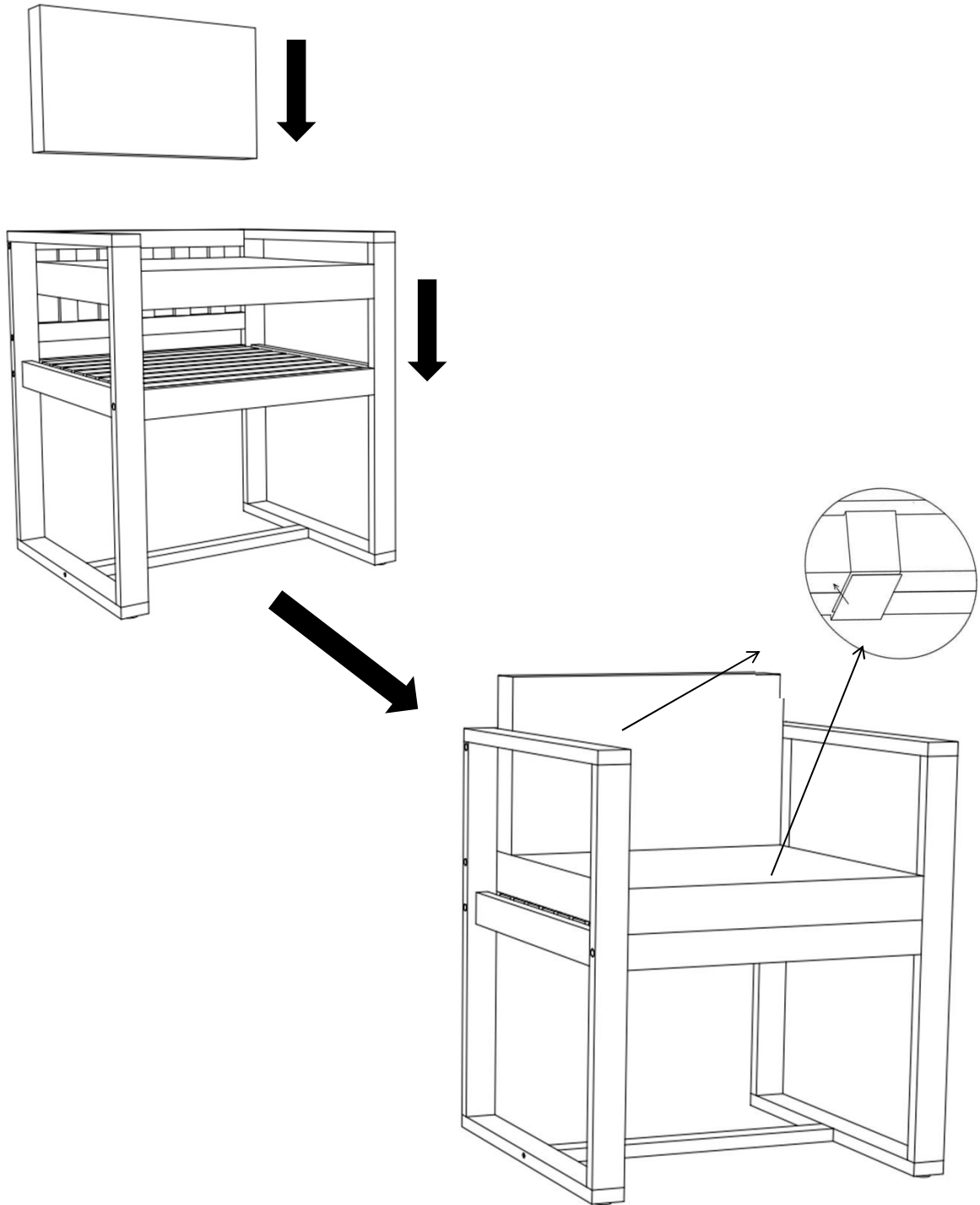
Then get off the Club Chair and proceed to tighten the Bolts in a sequential manner.

When tightening the Bolts tighten sequentially.

DO NOT tighten any Bolt fully and then move on towards the next one.

If there are still wobbles, loosen the Bolts and execute this same process.

Step 7



Place Seat Cushion(D) into the Chair.
Attach the velcro of Seat Cushion(D) to the Chair as shown above.
Your Chair is ready for use.
This Chair can only be used on a flat, level surface.

Questions & Answers about Proposition 65

- **What is Proposition 65?**

Proposition 65 requires businesses to provide warnings to Californians about significant exposures to chemicals that cause cancer, birth defects or other reproductive harm. These chemicals can be in the products that Californians purchase, in their homes or workplaces, or that are released into the environment. By requiring that this information be provided, Proposition 65 enables Californians to make informed decisions about their exposures to these chemicals.

Proposition 65 also prohibits California businesses from knowingly discharging significant amounts of listed chemicals into sources of drinking water.

Proposition 65 requires California to publish a list of chemicals known to cause cancer, birth defects or other reproductive harm. This list, which must be updated at least once a year, has grown to include approximately 900 chemicals since it was first published in 1987.

- **What types of chemicals are on the Proposition 65 list?**

The list contains a wide range of naturally occurring and synthetic chemicals that include additives or ingredients in pesticides, common household products, food, drugs, dyes, or solvents. Listed chemicals may also be used in manufacturing and construction, or they may be byproducts of chemical processes, such as motor vehicle exhaust.

- **What does a warning mean?**

If a warning is placed on a product label or posted or distributed at a workplace, a business, or in rental housing, the business issuing the warning is aware or believes that it is exposing individuals to one or more listed chemicals.

By law, a warning must be given for listed chemicals unless the exposure is low enough to pose no significant risk of cancer or is significantly below levels observed to cause birth defects or other reproductive harm.

- **Where can I get more information on Proposition 65?**

If you have specific questions on the administration or implementation of Proposition 65, you can contact OEHHA's Proposition 65 program at P65.Questions@oehha.ca.gov, or by phone at (916) 445-6900.