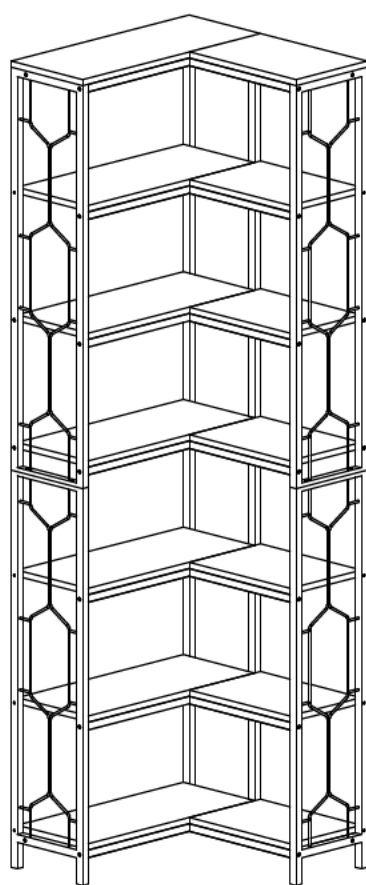


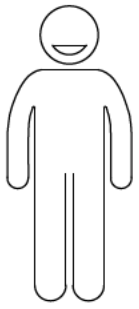
Assembly Instructions



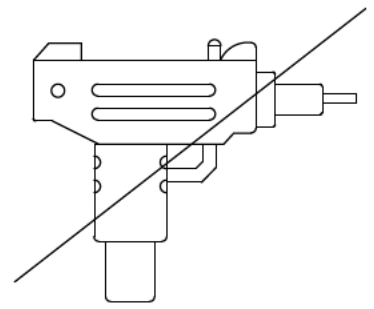
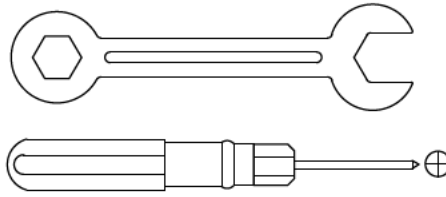
Bookshelf

Assembly Instructions:

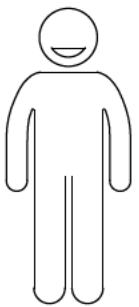
1. Carefully read these instructions and keep them for future reference.
2. Refer to the parts list for guidance and ensure that you have all the pieces before starting the assembly process, if anything is missing, damaged, incorrect, contact us **FIRSTLY BEFORE** assembling.
3. When assembling, place all parts on a soft, clean, and flat surface, such as a carpet, to prevent any scratches.
4. To avoid misalignment of the holes, Please don't full tighten the screws until you ensure all parts in place.



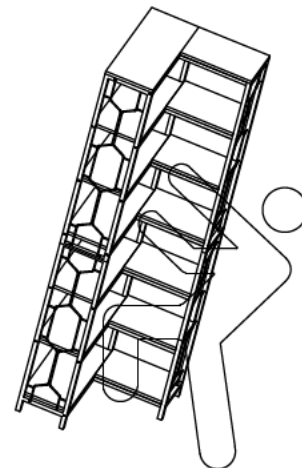
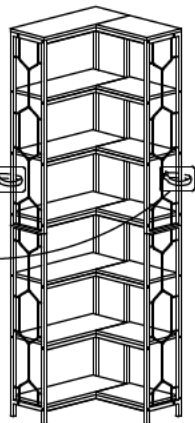
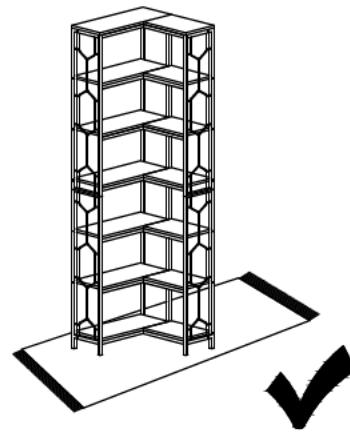
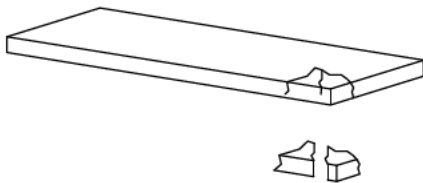
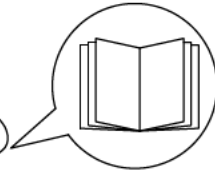
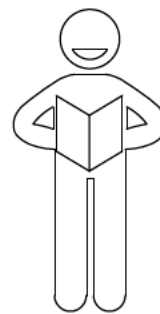
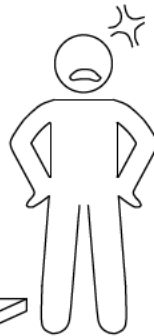
x1



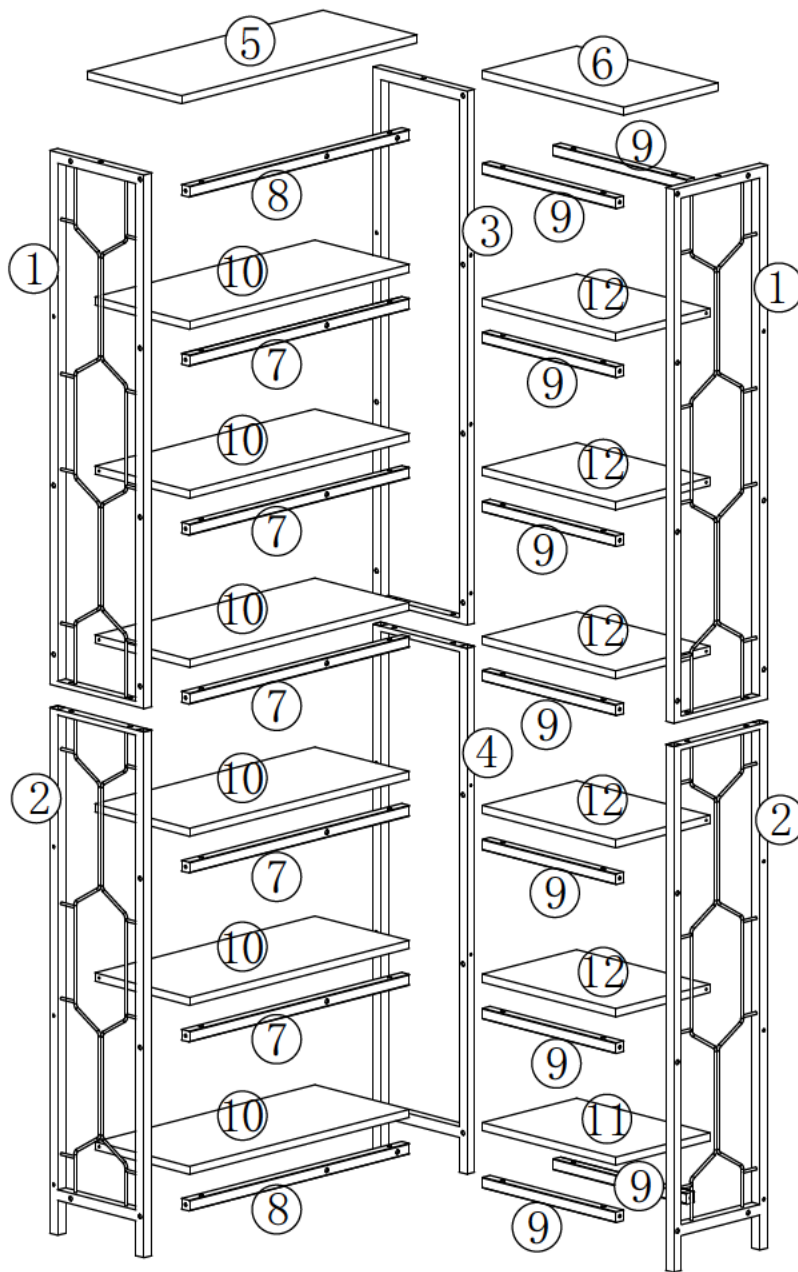
When using the electric screwdriver ,
Reduce the power and torque to avoid damaging the furniture



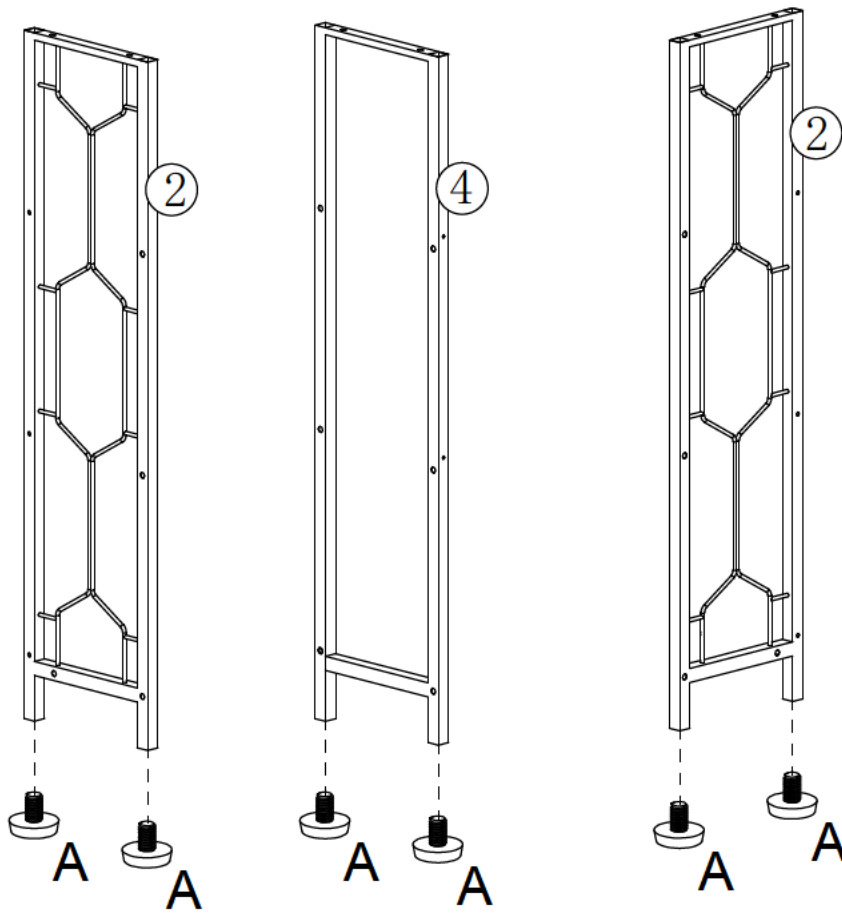
?



Install tip-over restraint provided)
Use of tip-over restraints may only reduce but not eliminate,
the risk of tip-over.



1

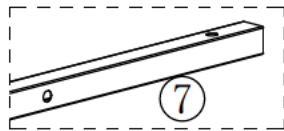


A

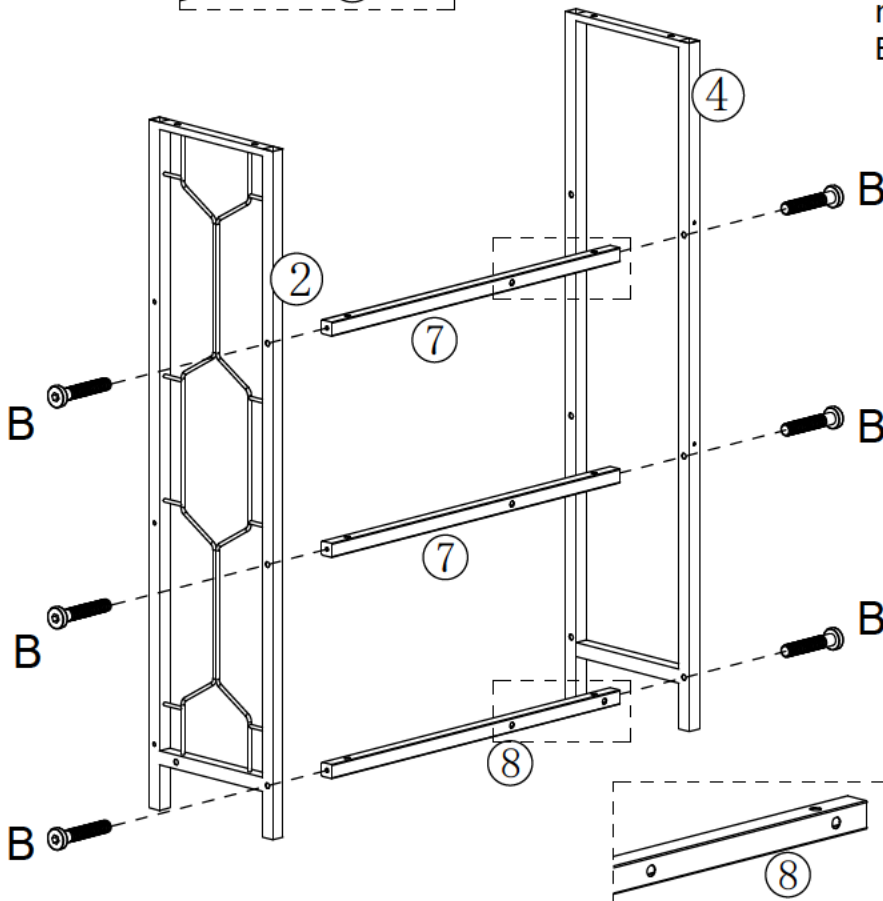


×6

2



Note: The holes on both sides of #2 and #4 are not parallel, please install B in the lower hole.

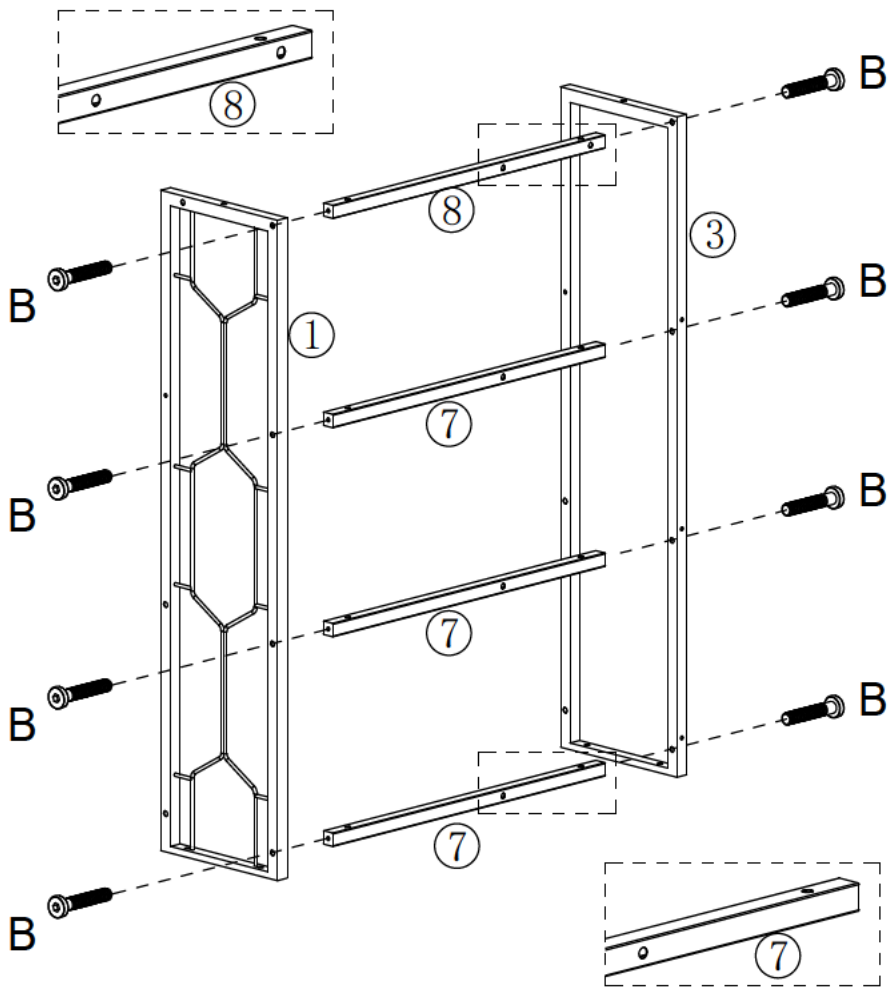


B M6×35mm



×6

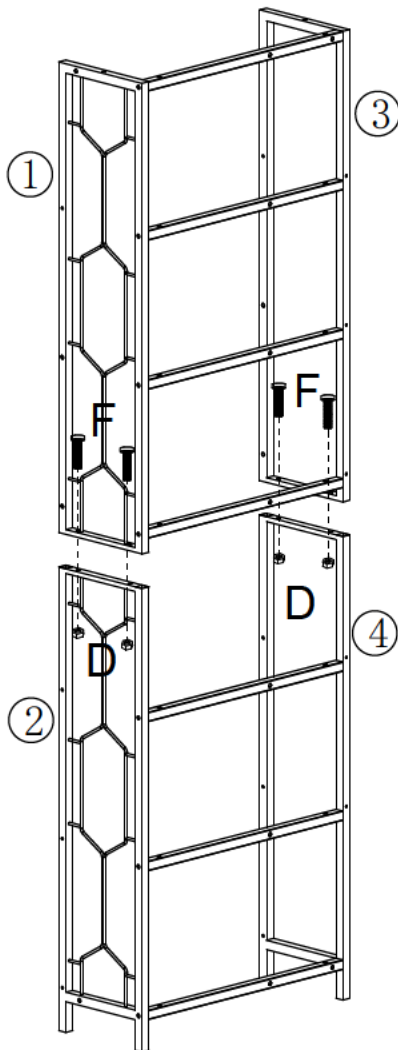
3



B M6×35mm

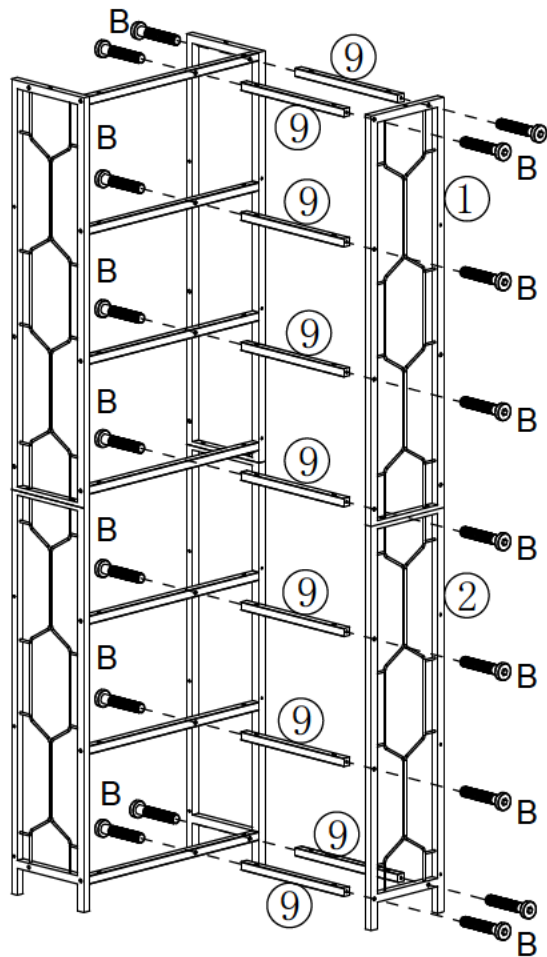
x8

4



D M6	F M6×25mm
x4	x4

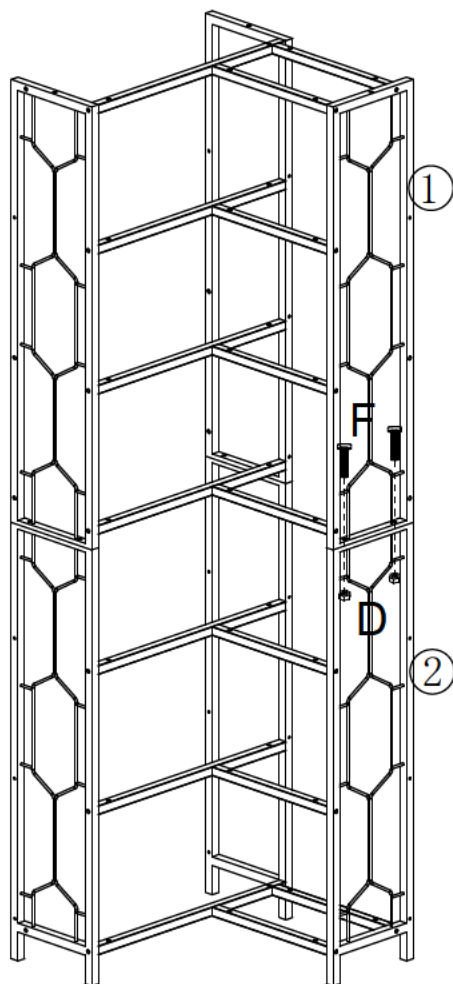
5



B M6×35mm

×18

6



D M6



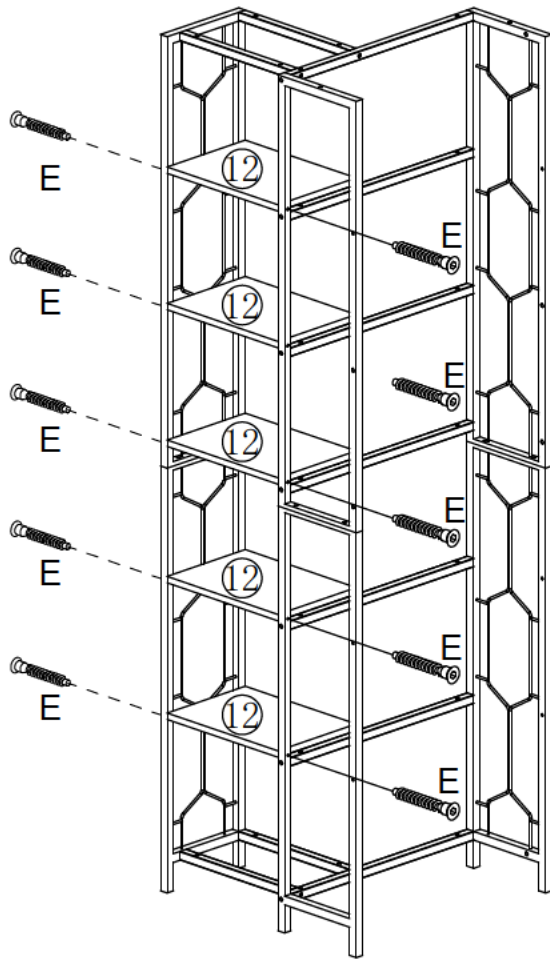
×2

F M6×25mm



×2

7

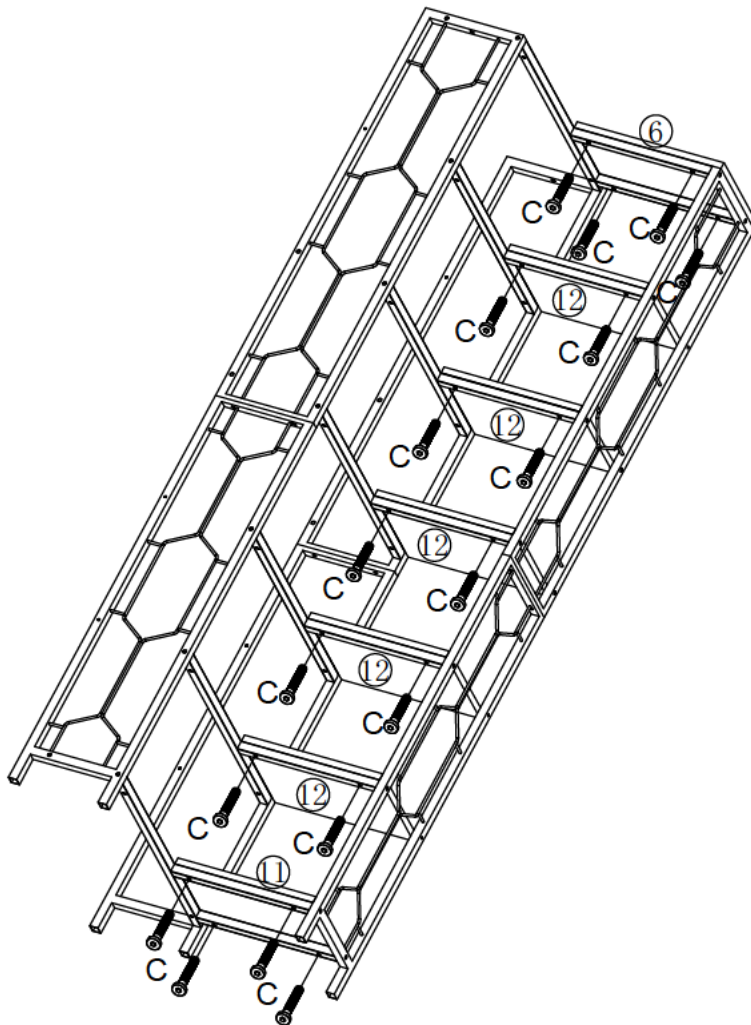


E M5×40mm



×10

8

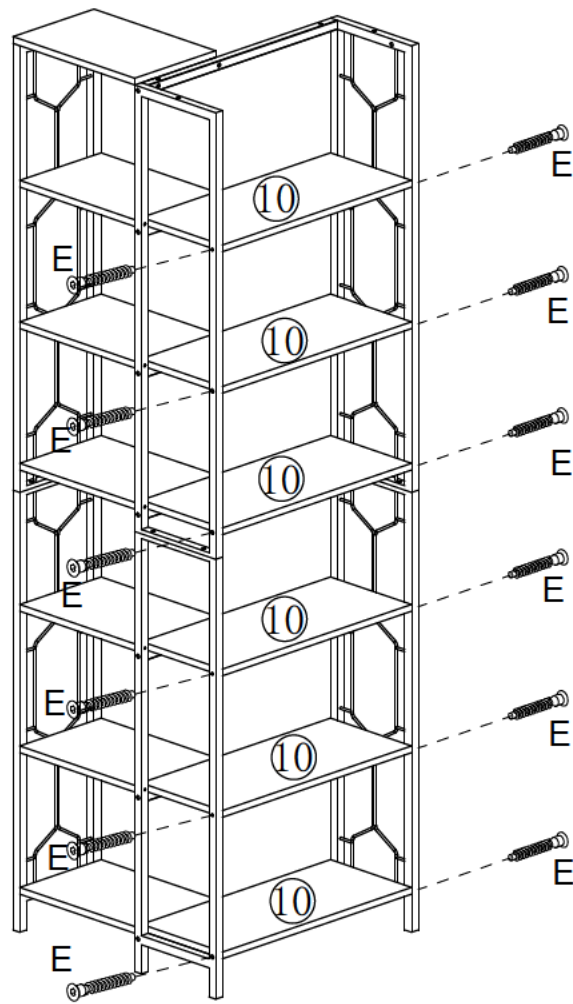


C M6×30mm



×18

9

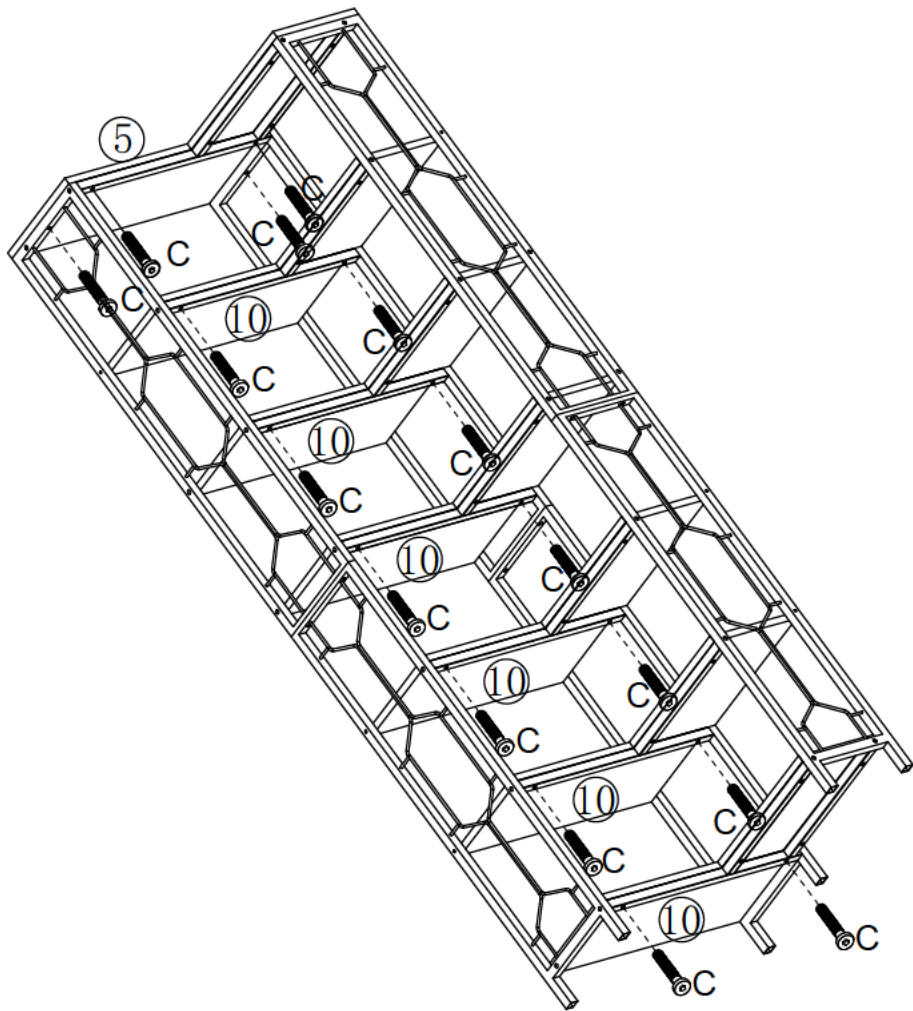


E M5×40mm



×12

10



C M6×30mm



×16

