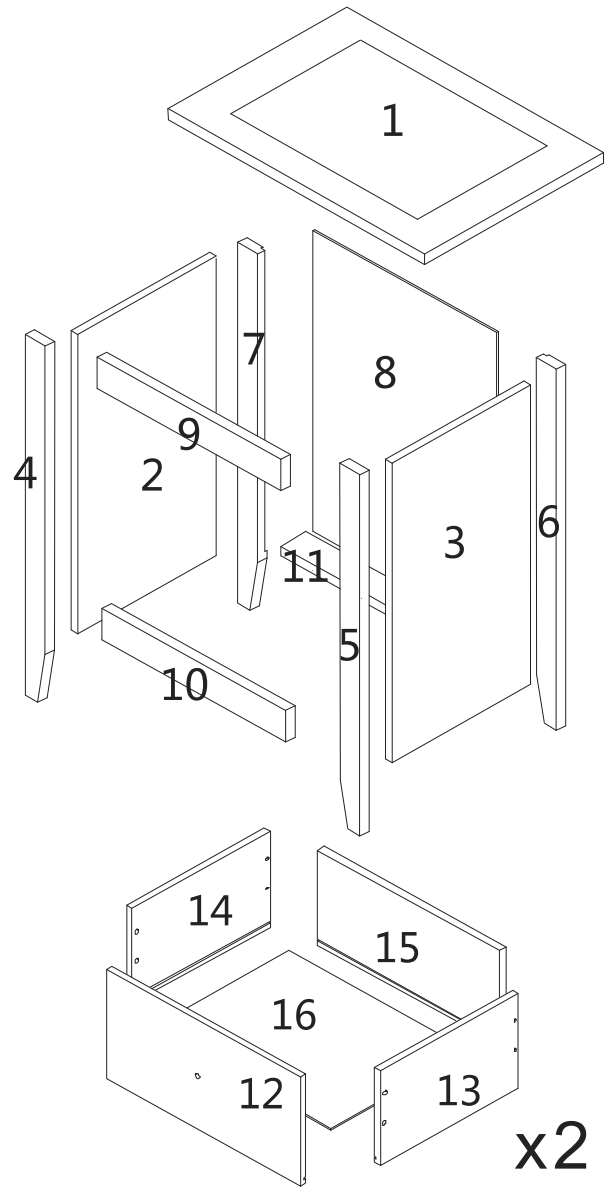
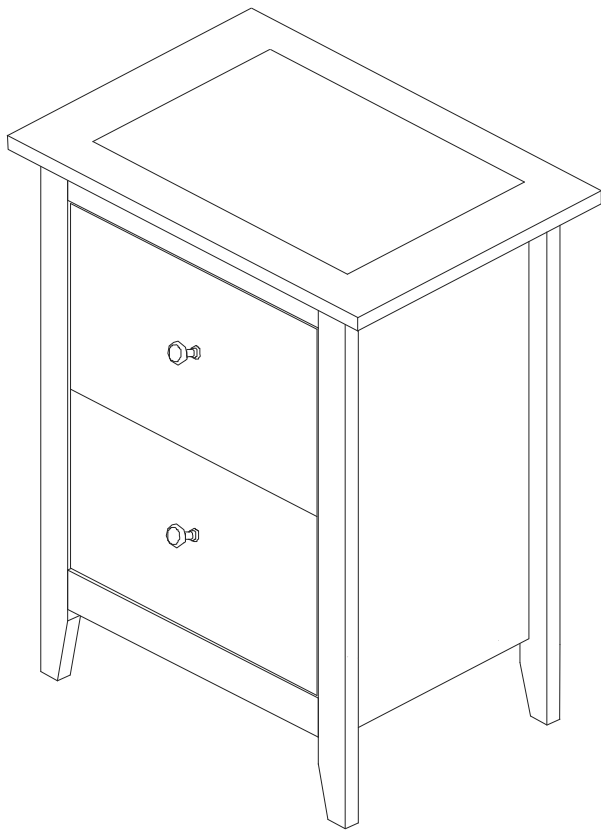
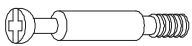


ASSEMBLY INSTRUCTIONS

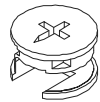


PARTS LIST

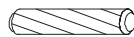
Ax24



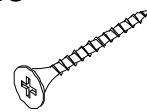
Bx24



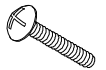
Cx20



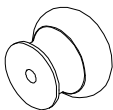
Dx8



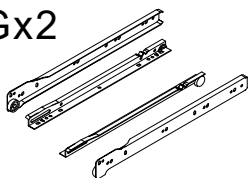
Ex2



Fx2



Gx2



Hx16

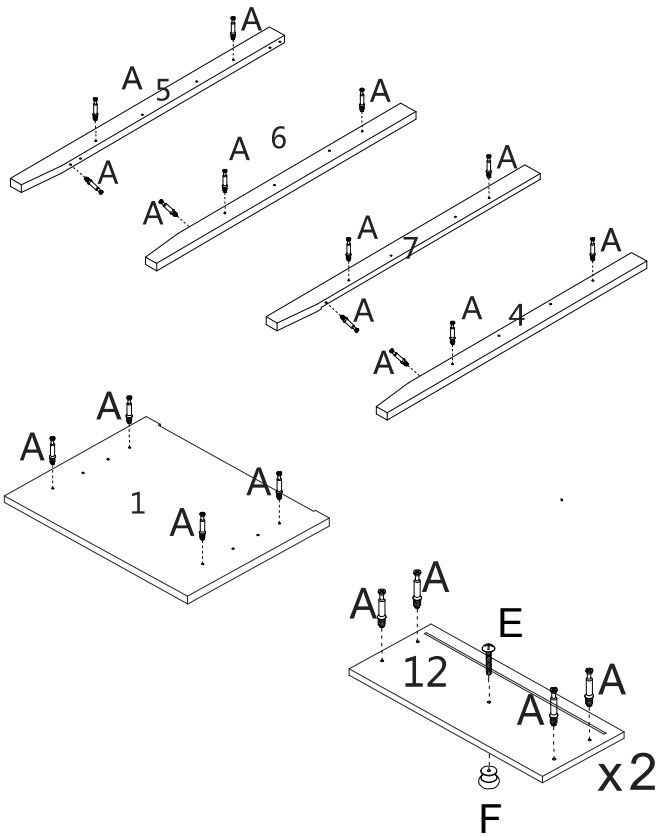


Ix10



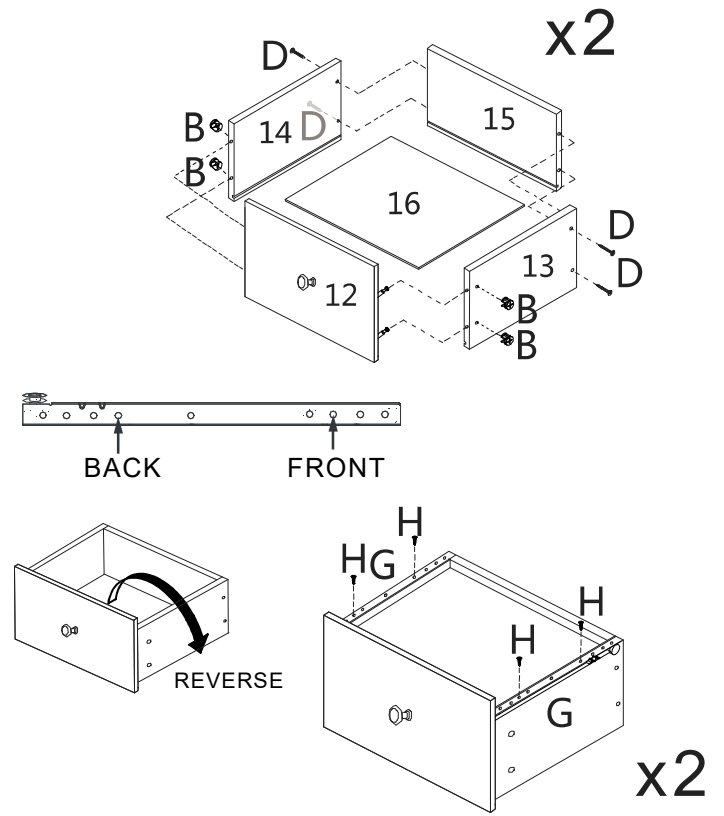
Step 1

A	24pcs	F	2pcs
E	2pcs		



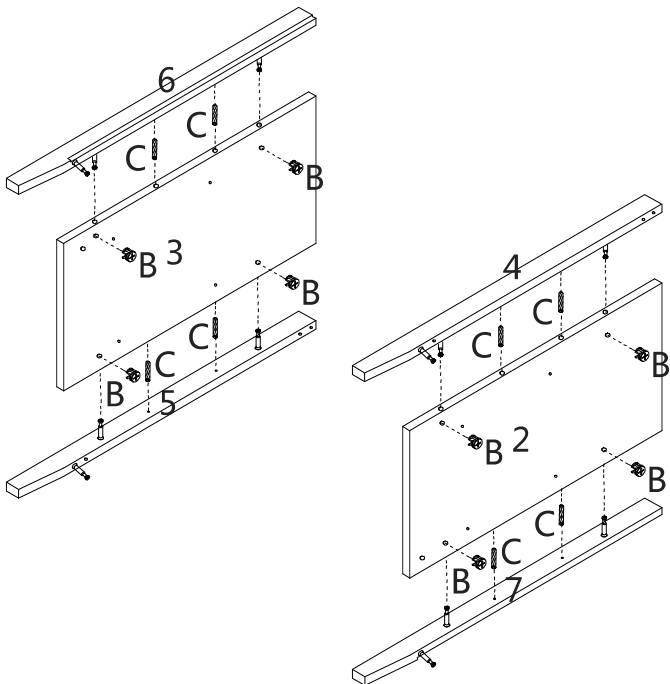
Step 2

B	8pcs	G	2pcs
D	8pcs	H	8pcs



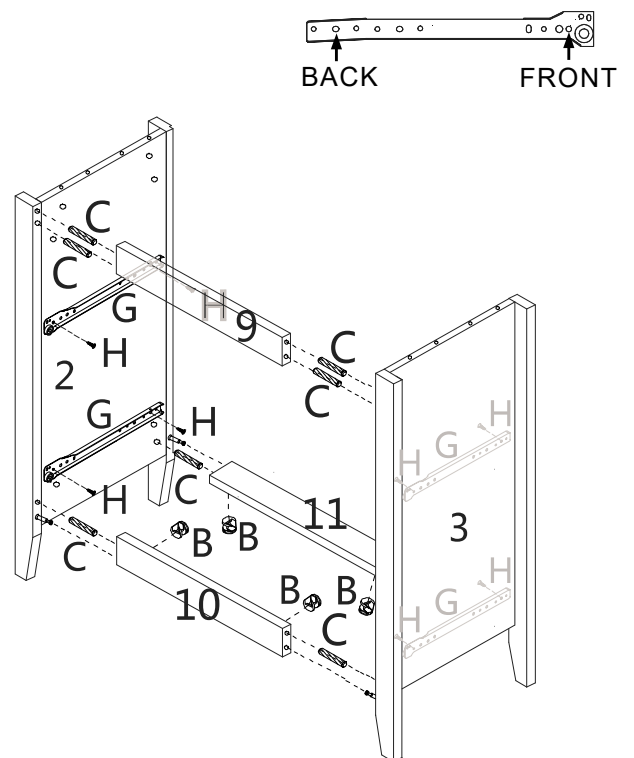
Step 3

B	8pcs
C	8pcs



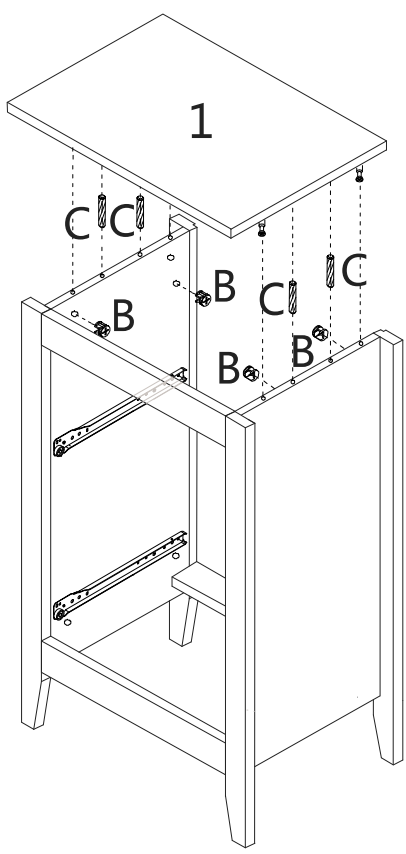
Step 4

B	4pcs	G	2pcs
C	8pcs	H	8pcs



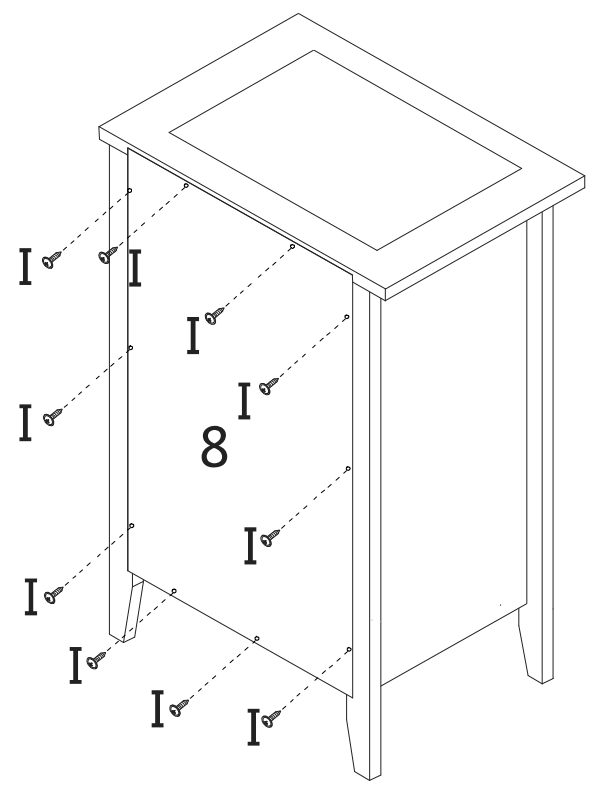
Step 5

B	4pcs
C	4pcs

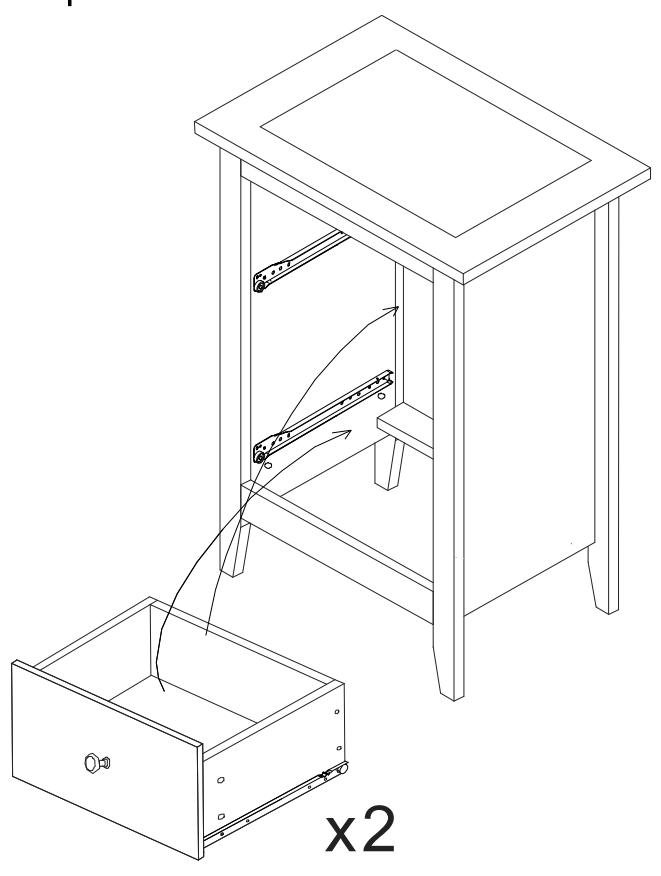


Step 6

I	10pcs
---	-------



Step 7



Step 8

