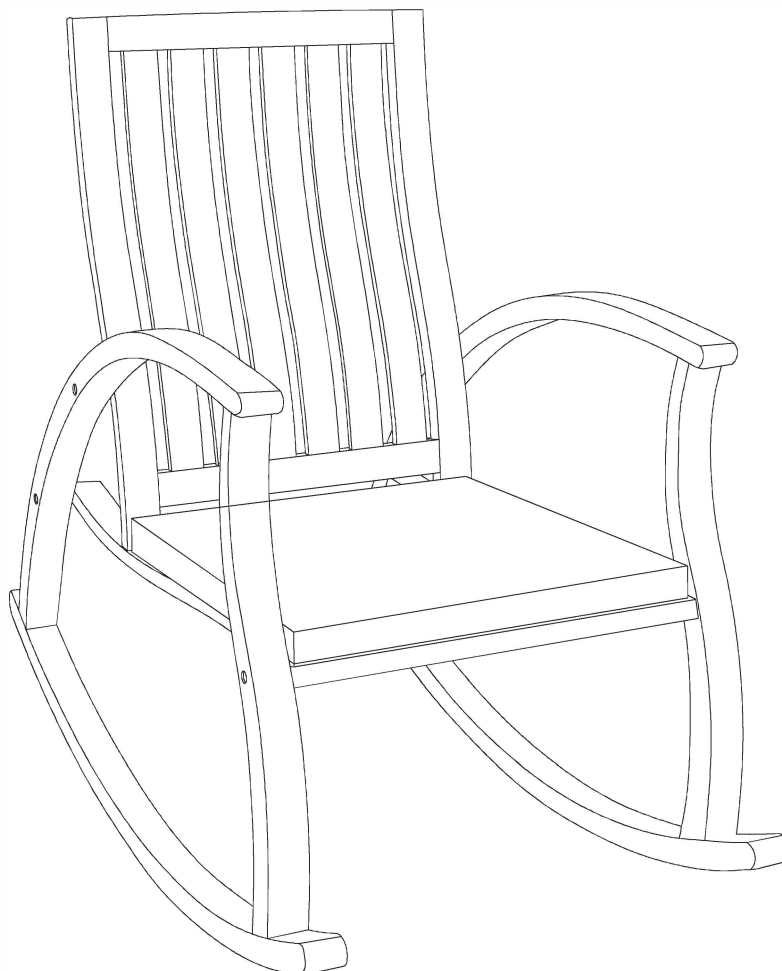


Assembly Instructions





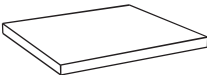
ROCKING CHAIR

CAUTION: You must read this before you proceed.



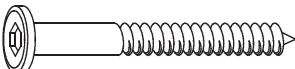
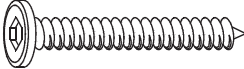
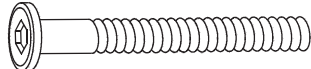
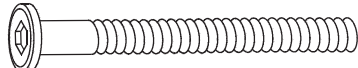
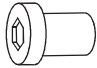
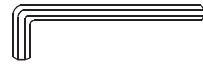
CAUTION : This Chair is NOT a TOY. Keep your child / children at bay in the process of assembly.
For turning / flipping the chair and to prevent damage to the chair, 02 persons may be needed to execute this action.

Parts List

No.	Picture	Description	Qty
A		Left Leg	1
B		Right Leg	1
C		Backrest	1
D		Seat Panel	1
E		Seat Cushion	1

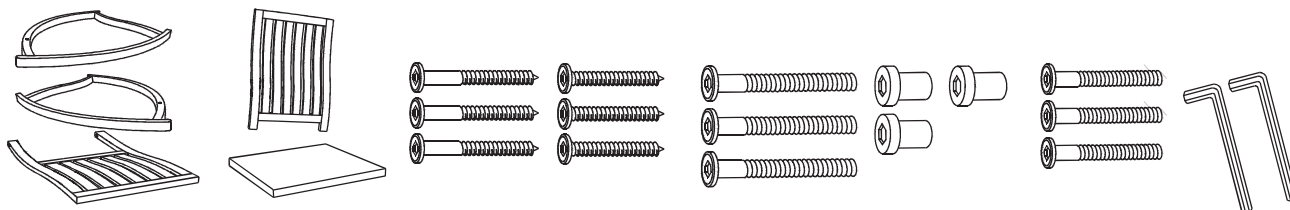
Hardware

Chair Hardware

No.	Picture	Description	Qty
①		Long Screw M6x80mm	3
②		Short Screw M6x50mm	3
③		Short Bolts M6x70mm	3
④		Long Bolts M6x90mm	3
⑤		Sleeve Nut M6x18mm	3
⑥		Allen Key	2

Assembly Preparation

Before Beginning Assembly:



Read instructions, cover to cover.



Have 2 adults on hand for assembly.



Do not assemble on flooring or carpet.



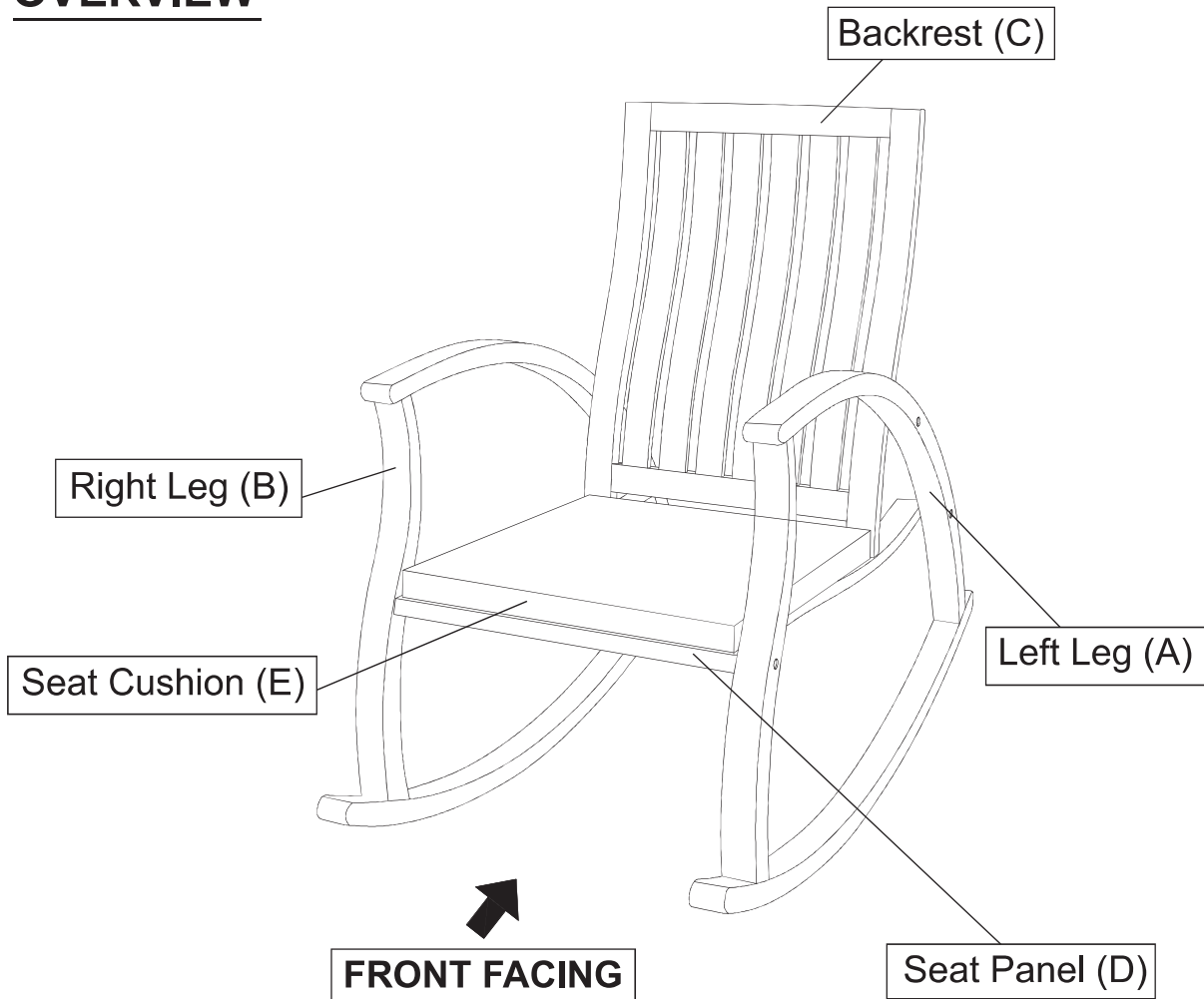
Assemble on a clean non-marring surface (packing foam).



Save all packaging until finished.

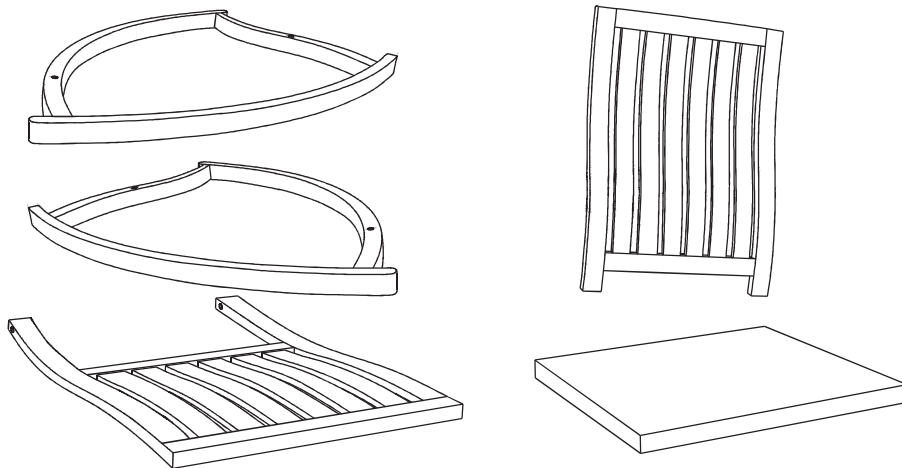
Assembly Steps

OVERVIEW



This Chair has multiple parts and may require up to 30 minutes to assemble. To give you an overview of the chair parts, the above picture is to help you put the various parts into perspective. Please read through the instructions herebelow to familiarise the parts and steps before assembly.

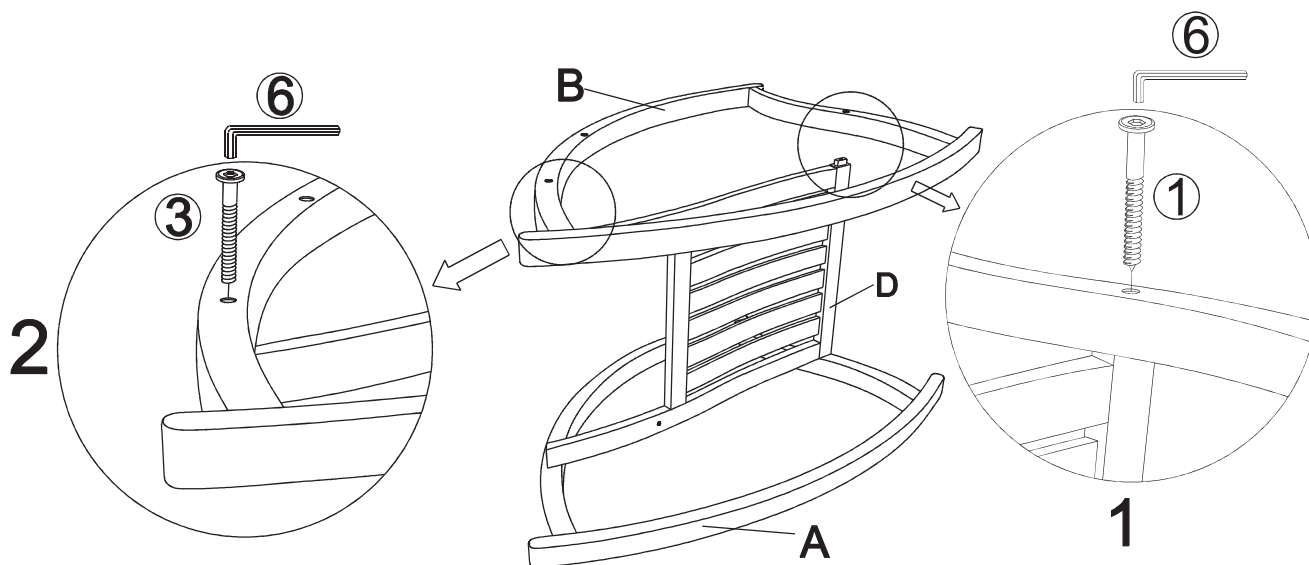
Step 1



Unpack and place all parts on a clean, non-marring surface.

Assembly Steps

Step 2



Place the Left Leg (A) with inside face skywards onto a clean, soft surface to avoid any scratches or damages to the product

Attach the Seat Panel (D) into the holes on the Left Leg (A), then attach the Right Leg (B) into the Seat Part (D).

Using the Long Screw (1) as shown in the picture (1) and the Short Bolts (3) as shown in the picture (2).

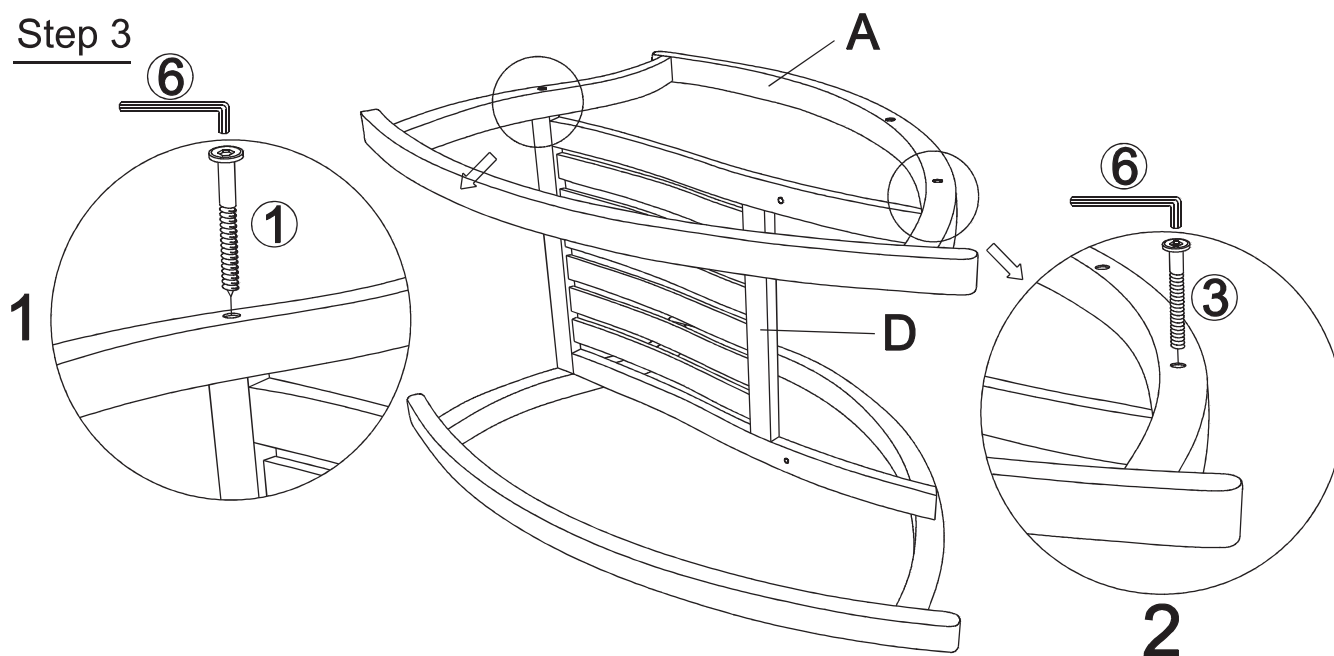
Then loosely fasten by Allen Key (6).

CAUTION : DO NOT OVER TIGHTEN.

OVER TIGHTENING COULD LEAD TO DAMAGE OF THE PRODUCT.

SLOWLY TIGHTEN UNTIL SECURE AND STABLE.

Step 3



Place the Leg Right (B) with inside face skywards onto a clean, soft surface to avoid any scratches or damages to the product.

Attach the Leg Left (A) into the holes on the Seat Panel (D). Using the Long Screw (1) as shown in the picture (1) and the Short Bolts (3) as shown in the picture (2).

Then loosely fasten by Allen Key (6).

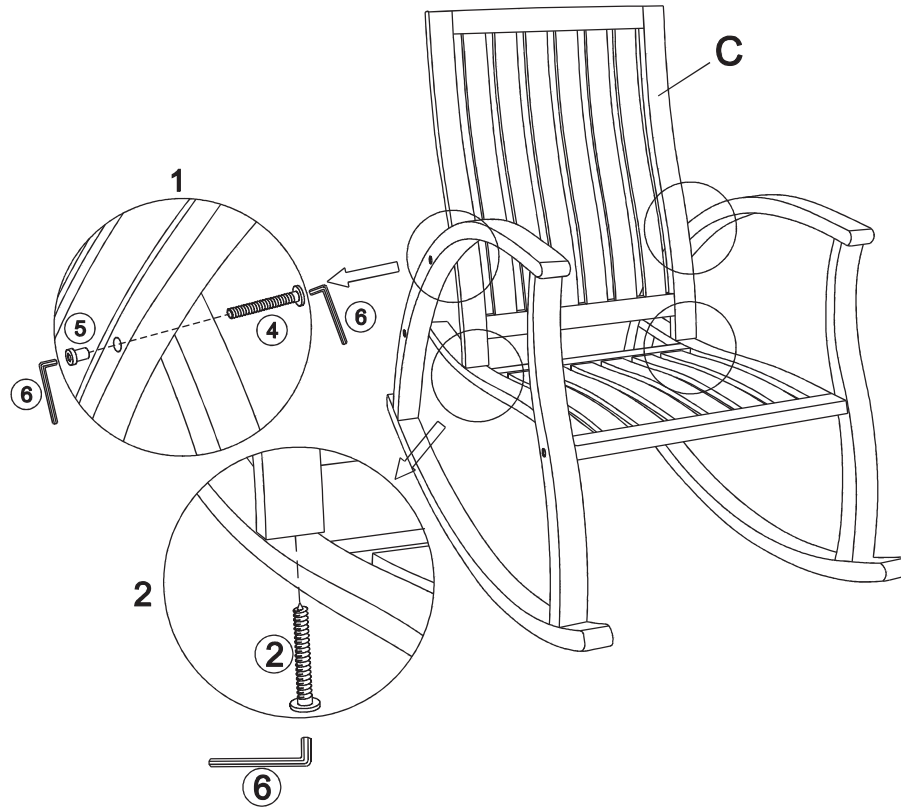
CAUTION : DO NOT OVER TIGHTEN.

OVER TIGHTENING COULD LEAD TO DAMAGE OF THE PRODUCT.

SLOWLY TIGHTEN UNTIL SECURE AND STABLE.

Assembly Steps

Step 4



Turn the chair right way up. Attach the Backrest (C) into the assembled frame from step 2.

Using the Long Bolts (4) with Sleeve Nuts (5), as shown in the picture (1) and Short Screw (2), as shown in the picture (2).

Tighten with using the Allen Key (6).

NOW, go back to all screws and bolts previously loosely fasten, drive in and tighten all screws and bolts in sequential manner.

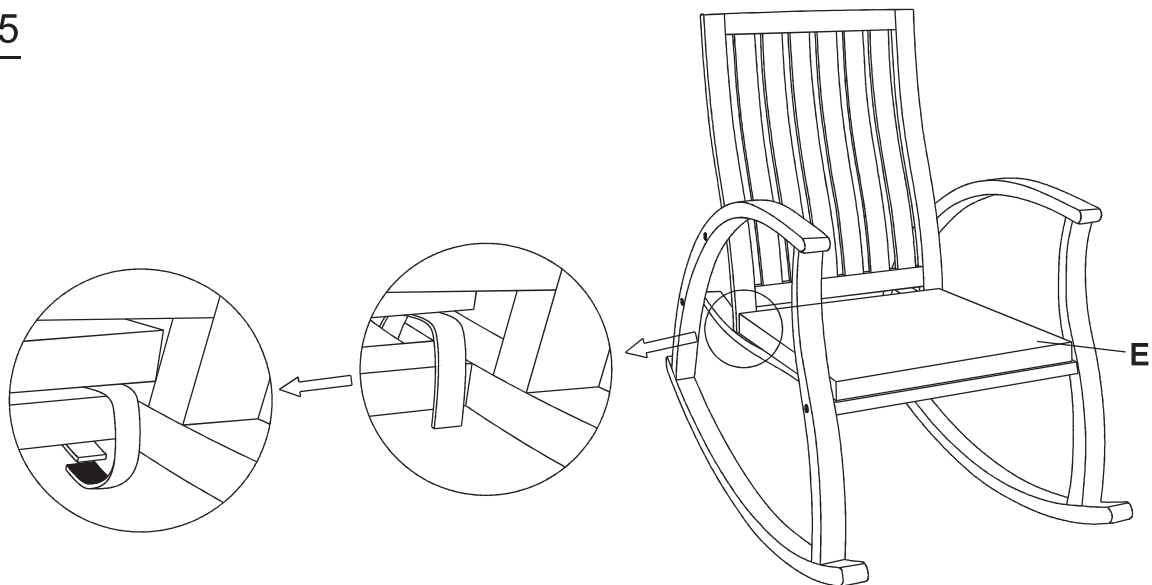
This sequential manner will reduce possible distortion of frame.

CAUTION !! DO NOT OVER TIGHTEN.

OVER TIGHTENING COULD LEAD TO DAMAGE OF THE PRODUCT.

SLOWLY TIGHTEN ONLY UNTIL SECURE AND STABLE.

Step 5



This is the final stage.






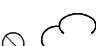

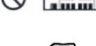


Ensure that all screws and bolts are fully and securely tightened into wood.

Place the Seat Cushion (E) using the velcro straps, as shown in diagram.

This Rocking chair is ready for use.

Caution: This Rocking Chair can only be used on a flat, level surface.

Care & Maintenance

-  Do not put hot items directly on furniture surface.
-  Do not clean furniture with harsh cleansers or polish.
-  Do not place furniture under direct sunlight.
-  Do not place furniture near heating or cooling vents.
-  Do not write on furniture without a padded barrier to protect the surface.
-  Do not place furniture outside. For indoor use only.
-  Not for commercial use. For residential use only.
-  Stains may be removed with mild soap solution and damp cloth.
-  Children should not climb or jump on the furniture.
-  Dust and pick-up spills using a clean, non-colored, lint-free cloth.

What is Proposition 65?

Proposition 65 is a California law that requires warning labels on products that may contain one of more than 800-plus chemicals or ingredients that the California Office of Environmental Health Hazard Assessment (OEHHA) has deemed to cause cancer or other reproductive toxicity. Chemicals and elements on this list include wood dust, brass, and other everyday substances, which can be found in very common household items, such as: lamps, tableware, jewelry, crystal glasses, electric cords, beauty products, automobiles, and furniture.

Why Did I Find a Proposition 65 Warning on My Home Goods Product?

We include Proposition 65 warnings on all of our products because there is always a chance that one of the 800-plus common chemicals and ingredients listed under this law could potentially be on our furniture or packing materials. We risk large fines under this law, if we don't include this warning.

Should I worry?

We realize you may be worried finding this warning on our products, but we want to reassure you that the hazardous exposure limits for any of these chemicals have never been found on furniture products that we've shipped to our customers. Additionally, this warning label is very common and can be found on almost every piece of furniture sold in the state of California.

Just How Common Are Proposition 65 Warnings?

Proposition 65 warnings have become so common in California that it is hard to take a trip to a local bank, grocery store, or restaurant without finding at least one warning. In fact, even the Disney Land Resort has a Proposition 65 warning:

