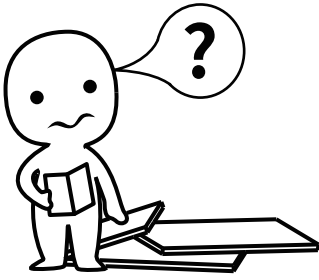


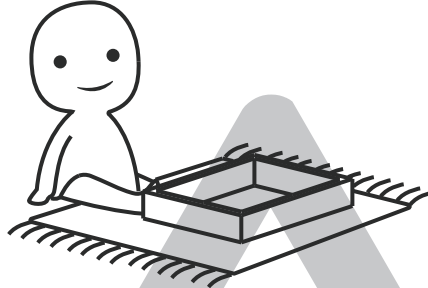
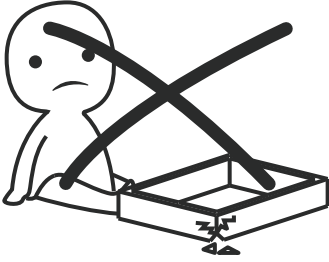
INSTALLATION

Product Manual



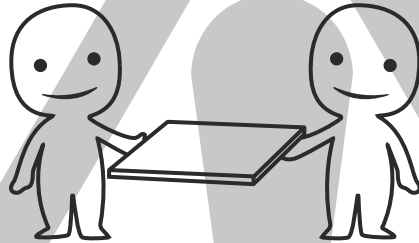
IMPORTANT INFORMATION!

please read the entire manual before starting to assemble and/or using this product. follow the manual thoroughly and keep it for further reference.



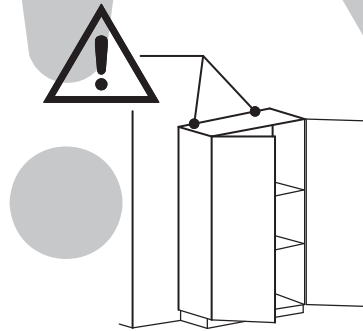
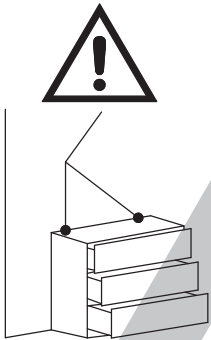
AVOID SCRATCHES!

In order to avoid scratching this furniture should be assembled on a soft layer- could be a rug.



IMPROVE EFFICIENCY !

Try to find a partner to install with you, which can speed up the installation efficiency and shorten the time.



ANTI-TOPPLE WARNING !

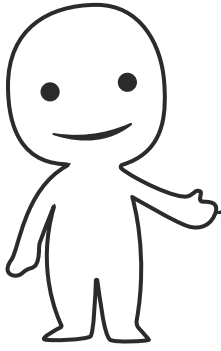
Overturnd furniture can cause serious or fatal crush injuries. To prevent tipping over, be sure to use the wall attachment, if not included with this product. Please purchase the wall attachment that fit your wall. If unsure, seek professional advice. Please read and follow each step of the instructions carefully.

IMPORTANT !

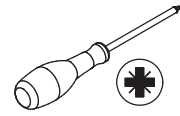
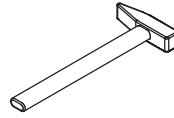
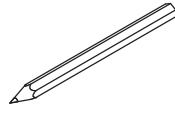
It is important that any product which is assembled using any kind of screw is re-tightened 2 weeks after assembly, and once every 3 months - in order to assure stability through-out the lifespan of the product.

For regular maintenance and cleaning of the product, for the frame, please use a rag dipped in neutral detergent to fully wipe it, and then dry it with a clean rag. For glass materials, wipe with a rag dampened with water glass cleaner, and then dry with a dry rag.

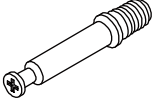

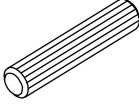
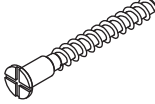
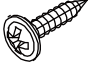
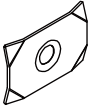
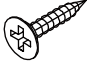
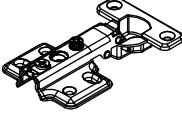
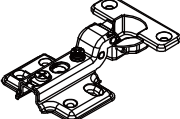
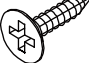
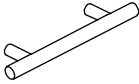

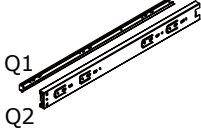
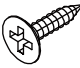
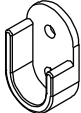
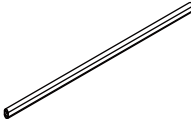
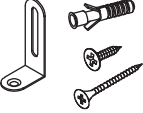
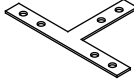
Do not use an electric screwdriver, and do not use too much force when installing, because the board is easy to break.

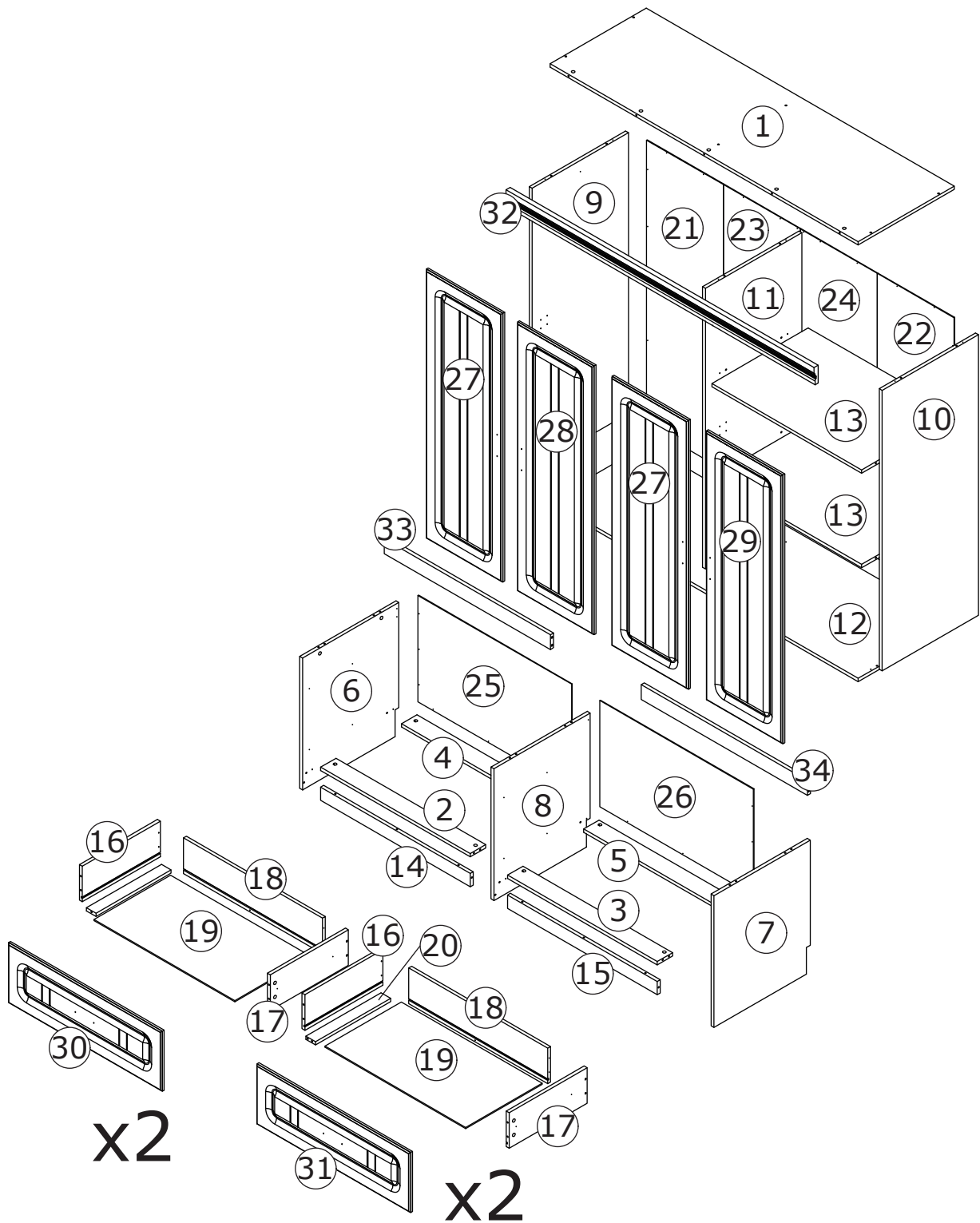


Please prepare the following tools



When installing, please carefully confirm whether each screw corresponds to the manual, accessories with similar shapes can be distinguished by size

A x 54  CRA0635A	C x 54  CRB1595A	D x 43  CRF0830A	E x 33  CRD0540A	G x 38  CRE0314A
H x 15  CRD0314A	J x 15  CRD0314A	K x 6  DGA861A	L x 6  DGA861B	M x 88  CRD3514A
N x 8  N x 8	P x 16  CRE0420A	Q x 4  #3508 14"	R x 32  CRD3512A	S x 2  S x 2
T x 1  T x 1	V x 2  V x 2	W x 2  W x 2		



⚠ WARNING

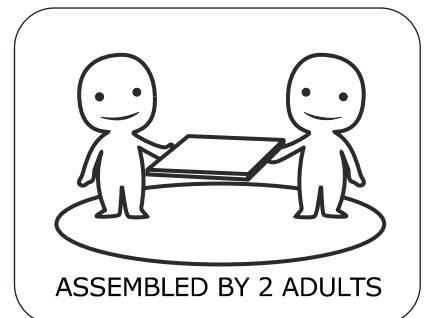


Children have died from furniture tipover. To reduce the risk of furniture tipover:

- ALWAYS install Anti-tip device provided.
- NEVER put a TV on this product.
- NEVER allow children to stand, climb or hang on drawers, doors, or shelves.
- NEVER open more than one drawer at a time.
- Place heaviest items in the lowest drawers.



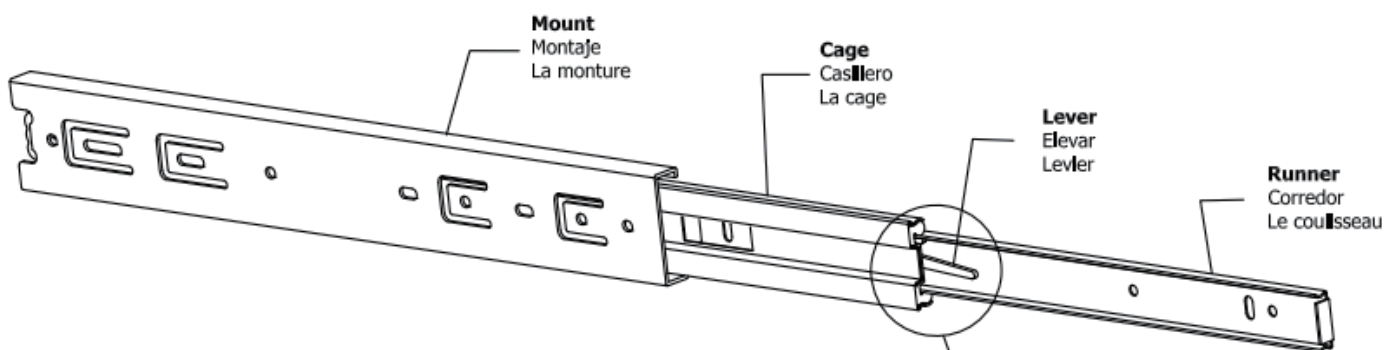
*This is a permanent label.
Do not remove!*



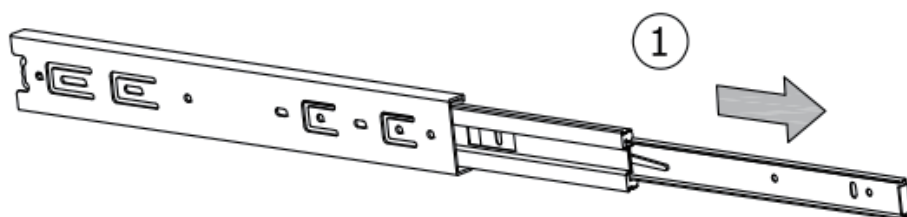
**Slides Must Be Separated Before Assembly.
After Separated, Set Aside Until Needed for Assembly.**

Las diapositivas deben separarse antes del montaje.
Después de la separación, déjelo a un lado hasta que sea necesario.

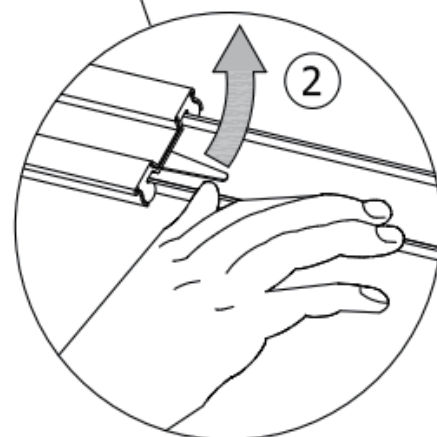
Les glissières doivent être séparées avant l'assemblage.
Après la séparation, mettez de côté jusqu'au moment de l'assemblage.



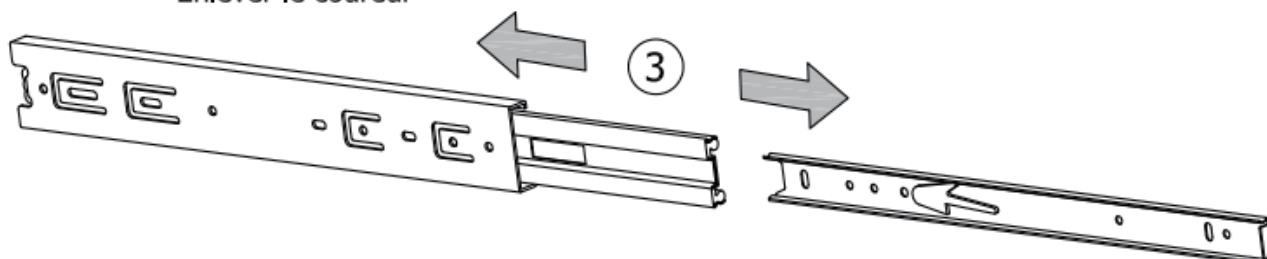
STEP 1: Extend Slide
Extender la diapositiva
Extendre la diapositive



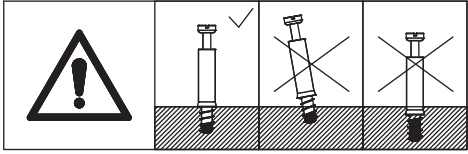
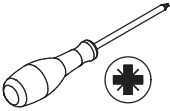
STEP 2: Push Lever UP
Empujar hacia arriba
Lever le levier



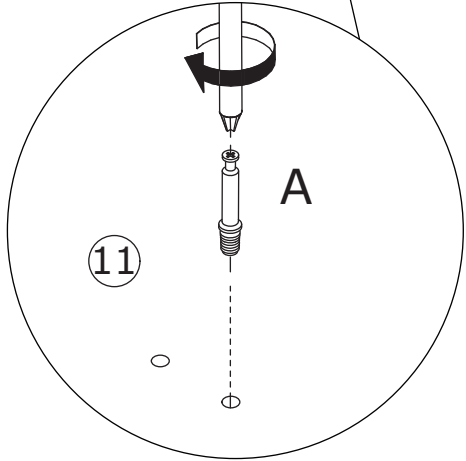
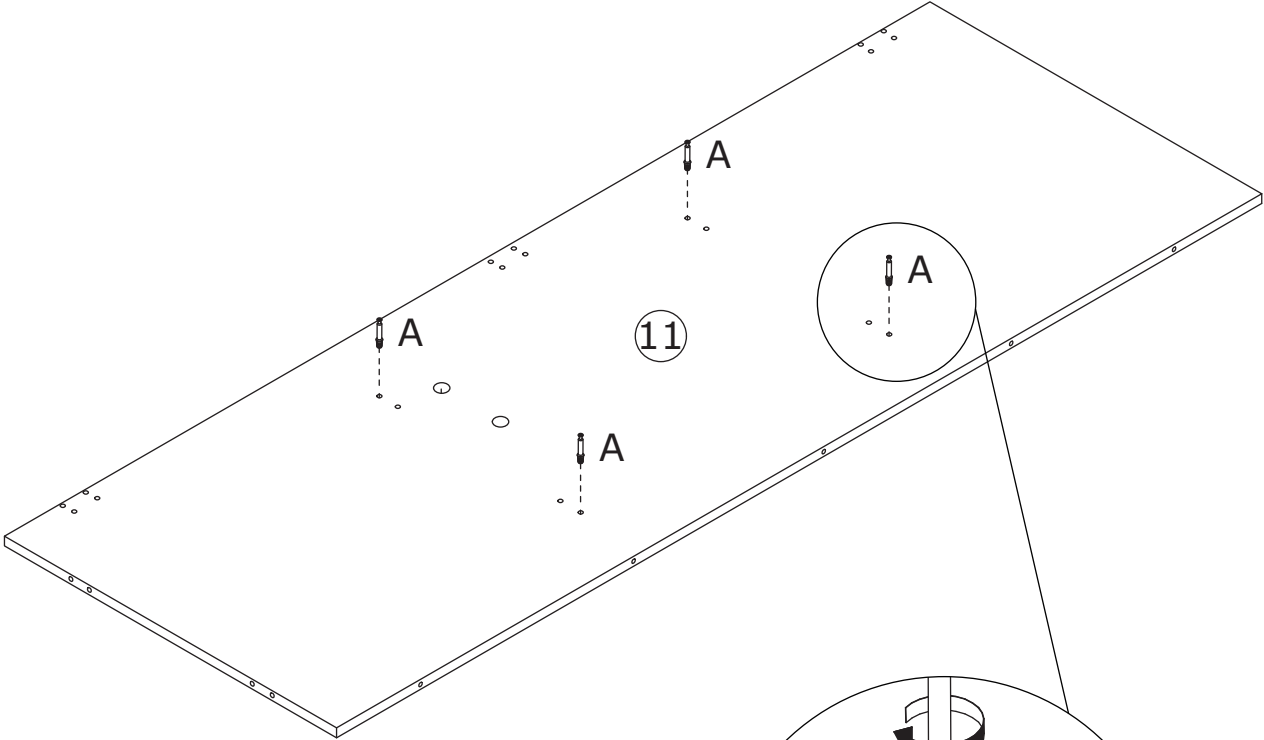
STEP 3: Remove Runner
Quitar el corredor
Enlever le coureur



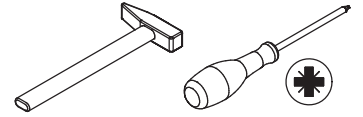
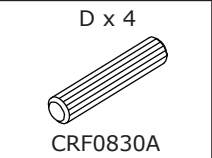
1



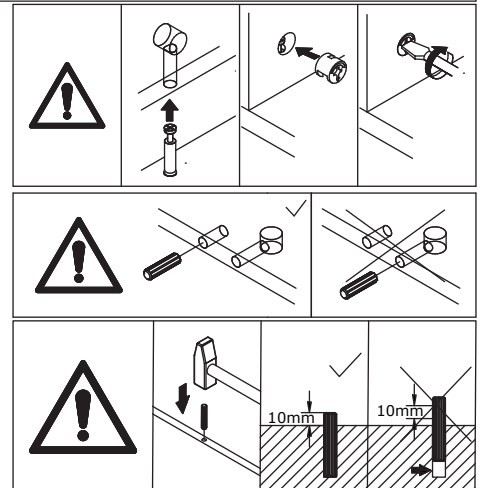
Insert quickfit screw(A) into plate 11 as shown.



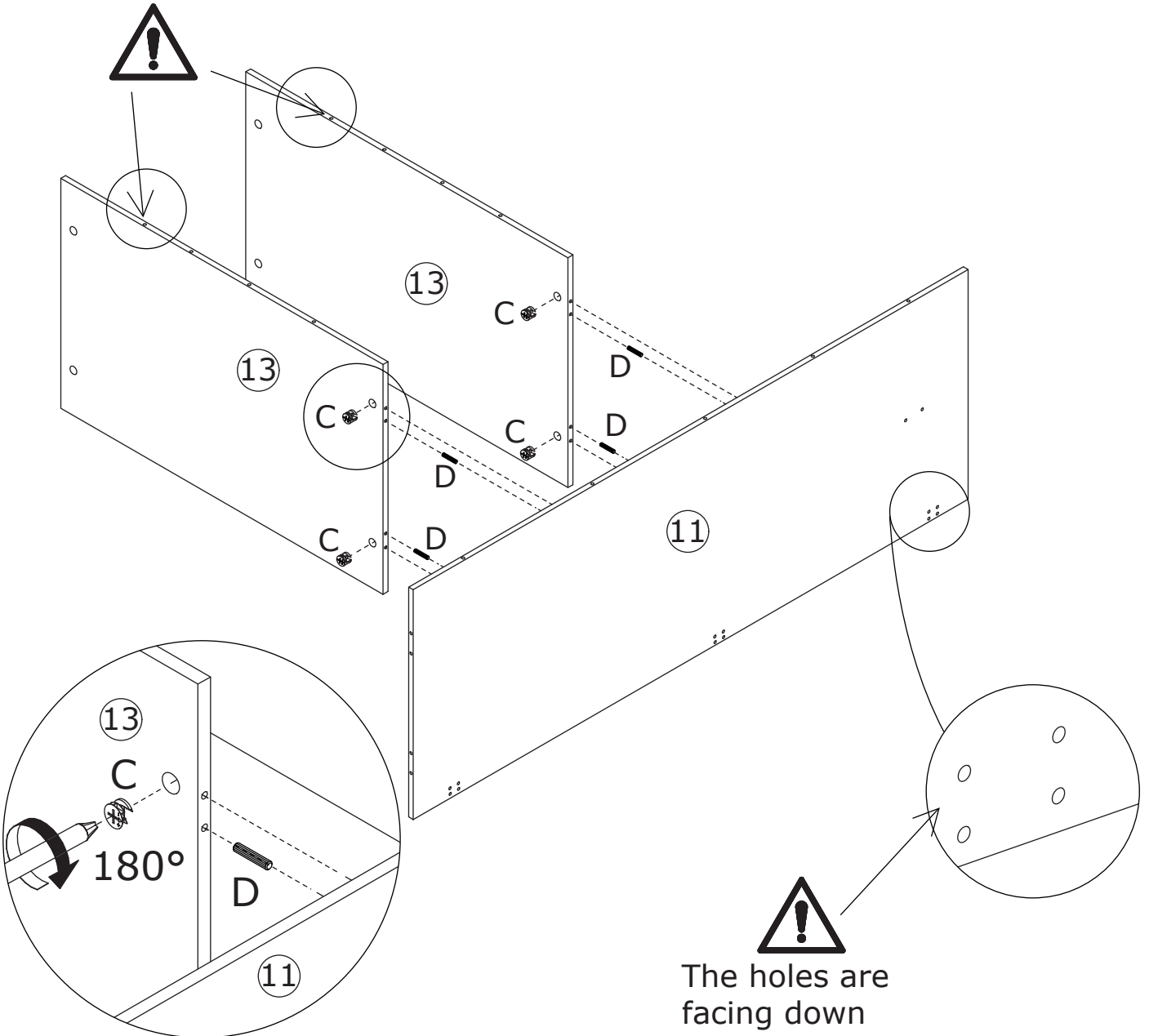
2



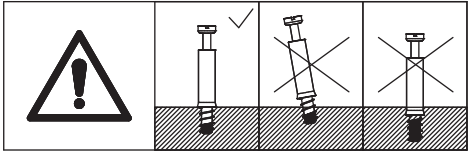
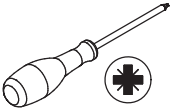
Attach plate 13 to plate 11 with wooden dowel(D) at first.
Put cam lock(C) into holes in plate 13 and turn clockwise to tighten as shown.



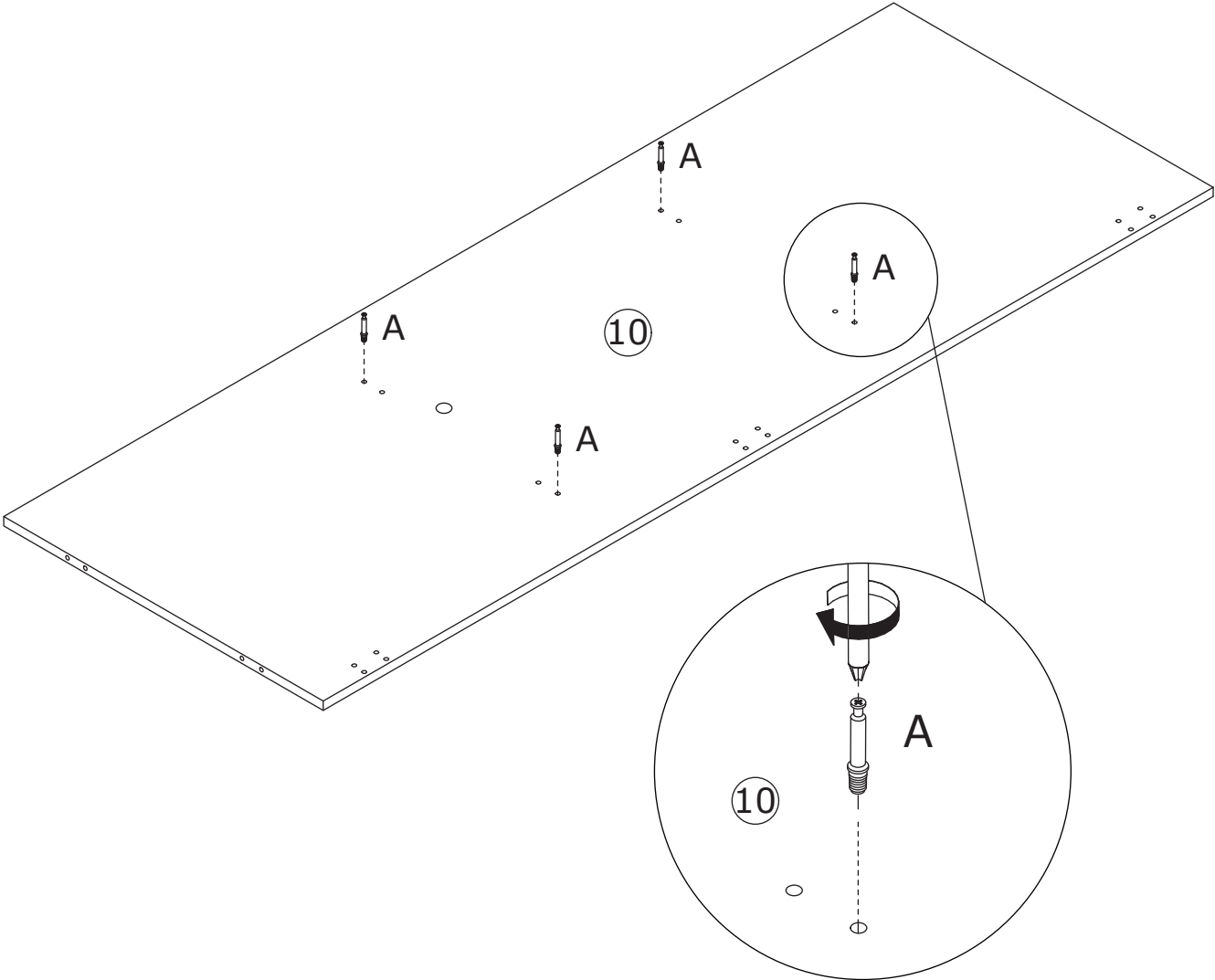
face up



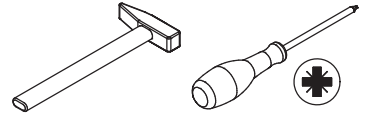
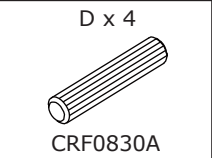
3



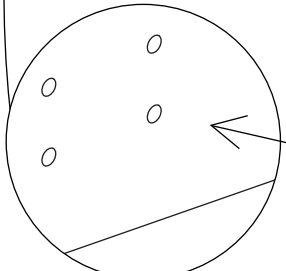
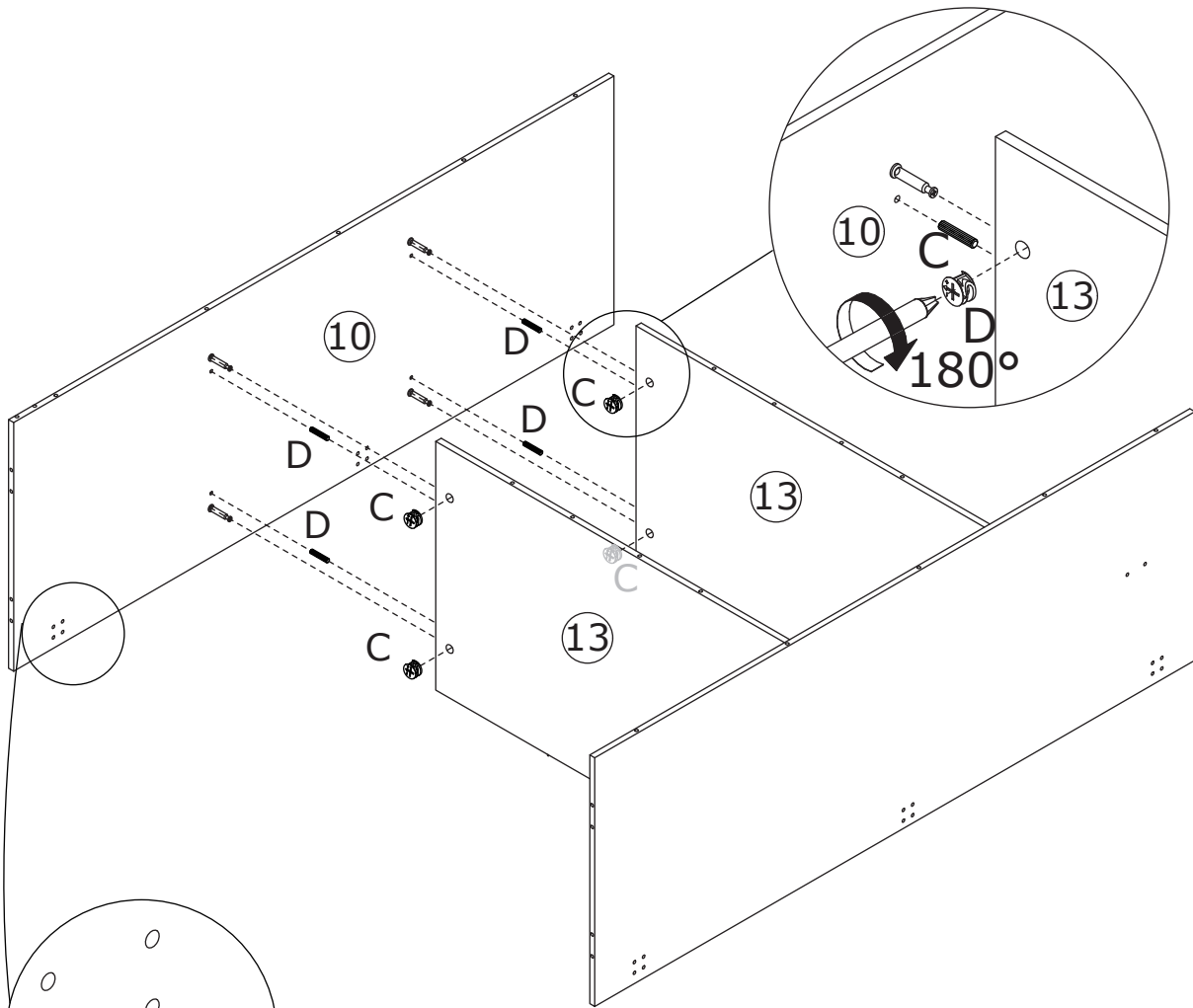
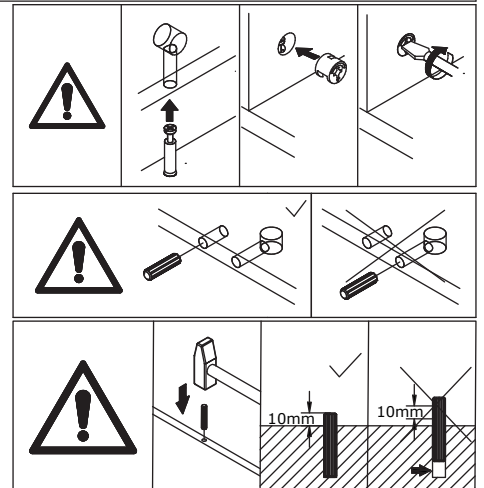
Insert quickfit screw(A) into plate 10 as shown.



4

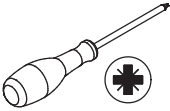


Attach plate 10 to plate 13 with wooden dowel(D) at first.
Put cam lock(C) into holes in plate 13 and turn clockwise to tighten as shown.

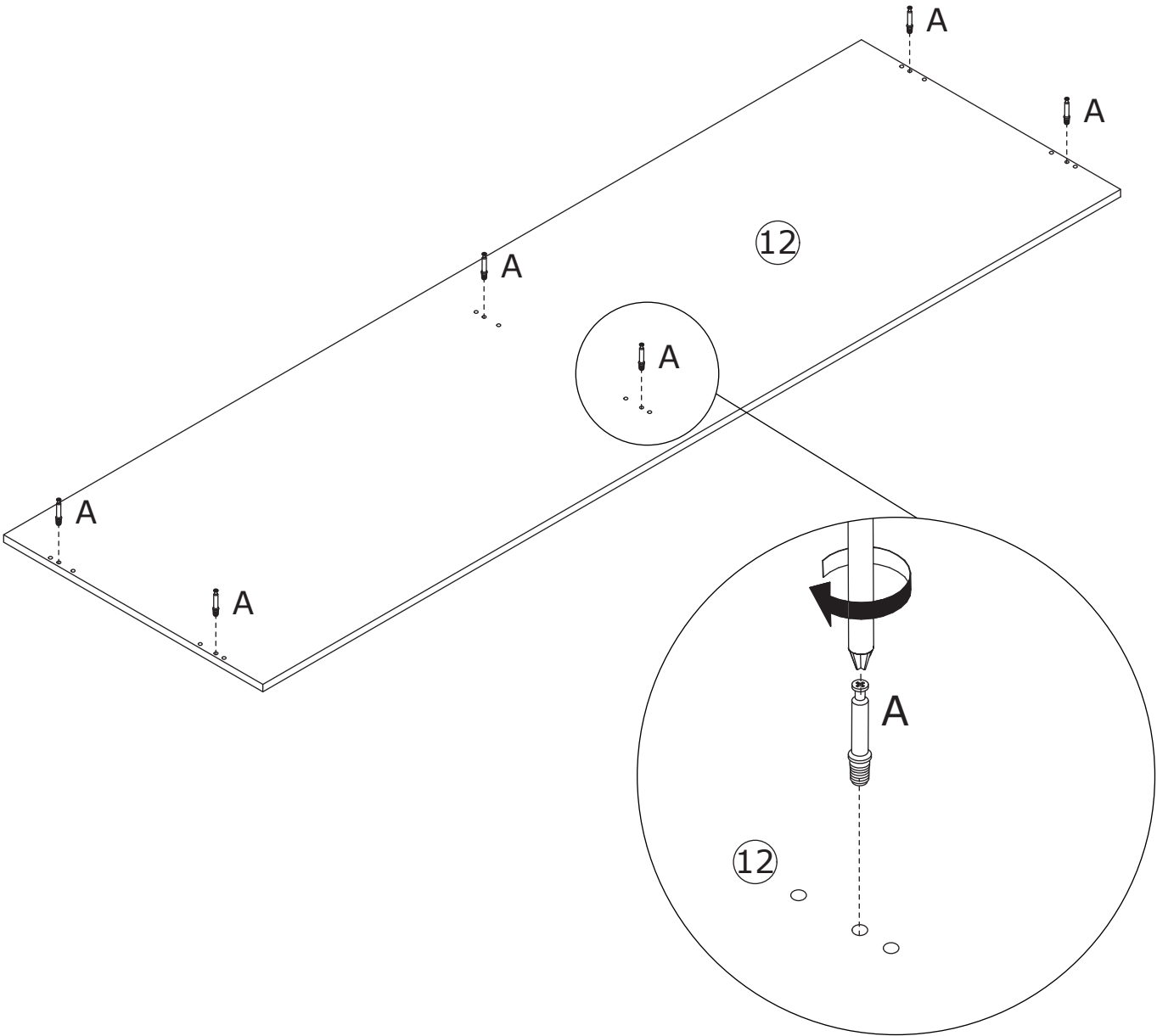
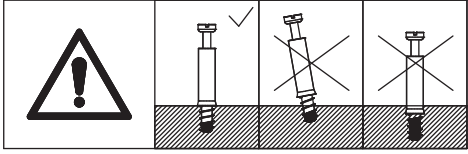


The holes are facing down

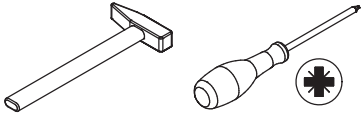
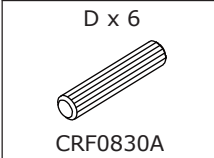
5



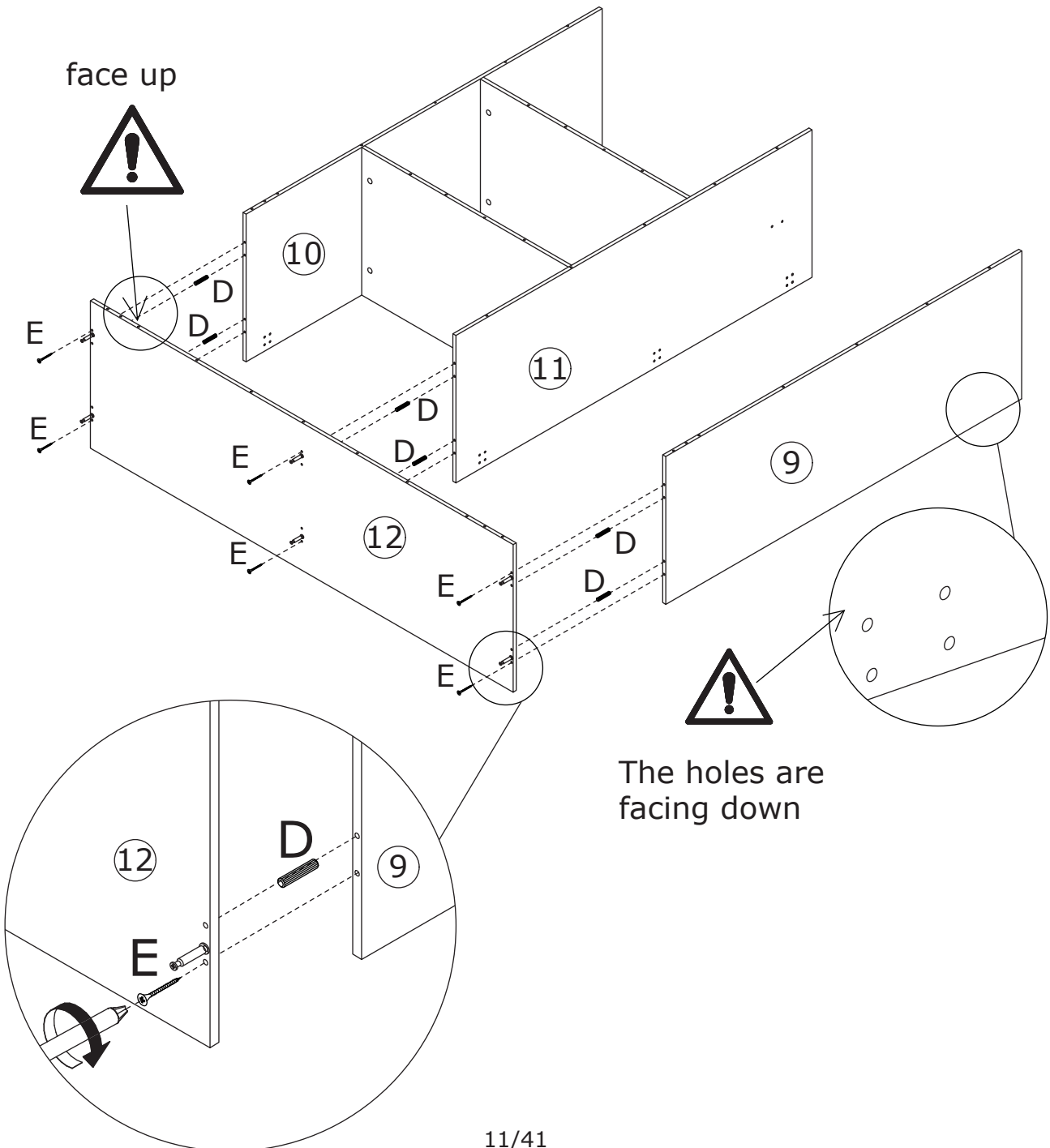
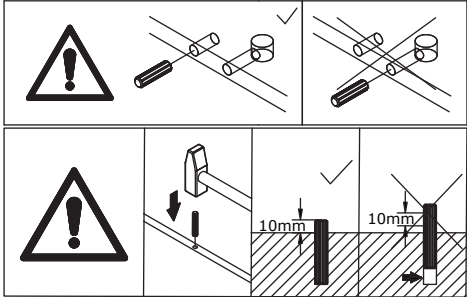
Insert quickfit screw(A) into plate 12 as shown.



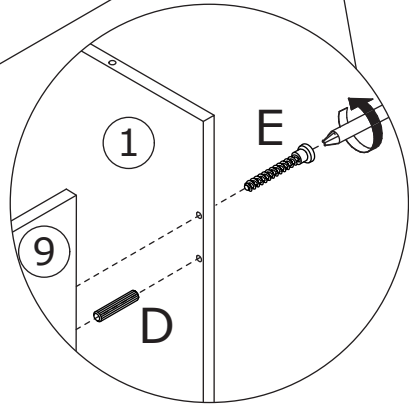
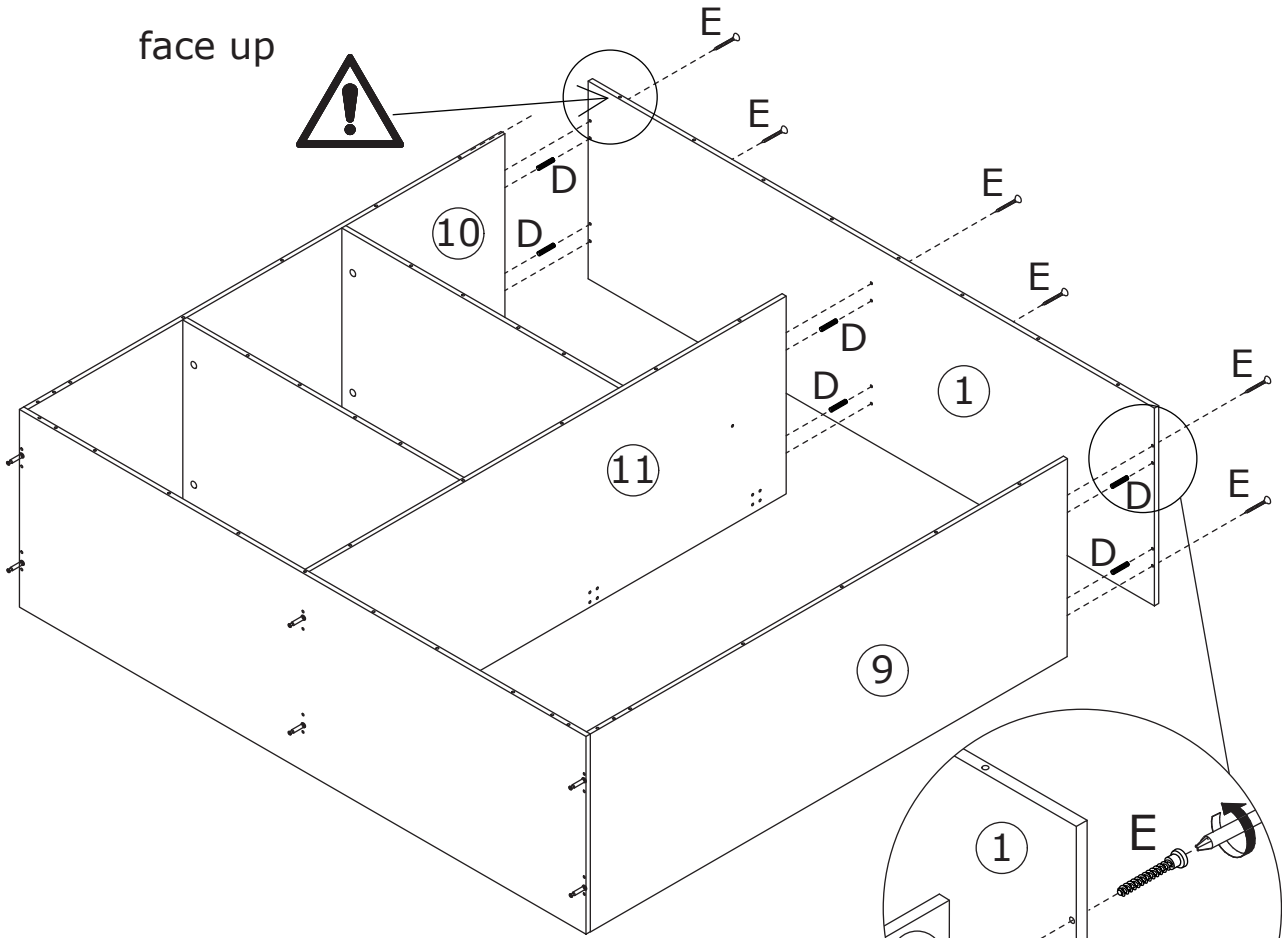
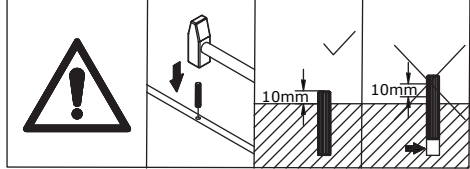
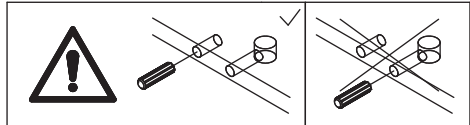
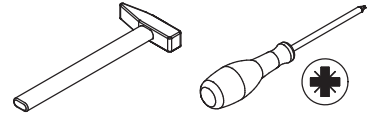
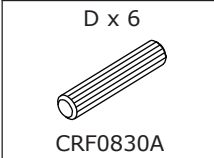
6



Attach plate 12 to plate 10,11 and 9 with wooden dowel(D), then fix using screw(E) as shown.

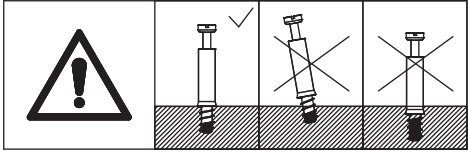
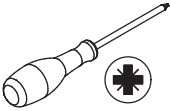


7

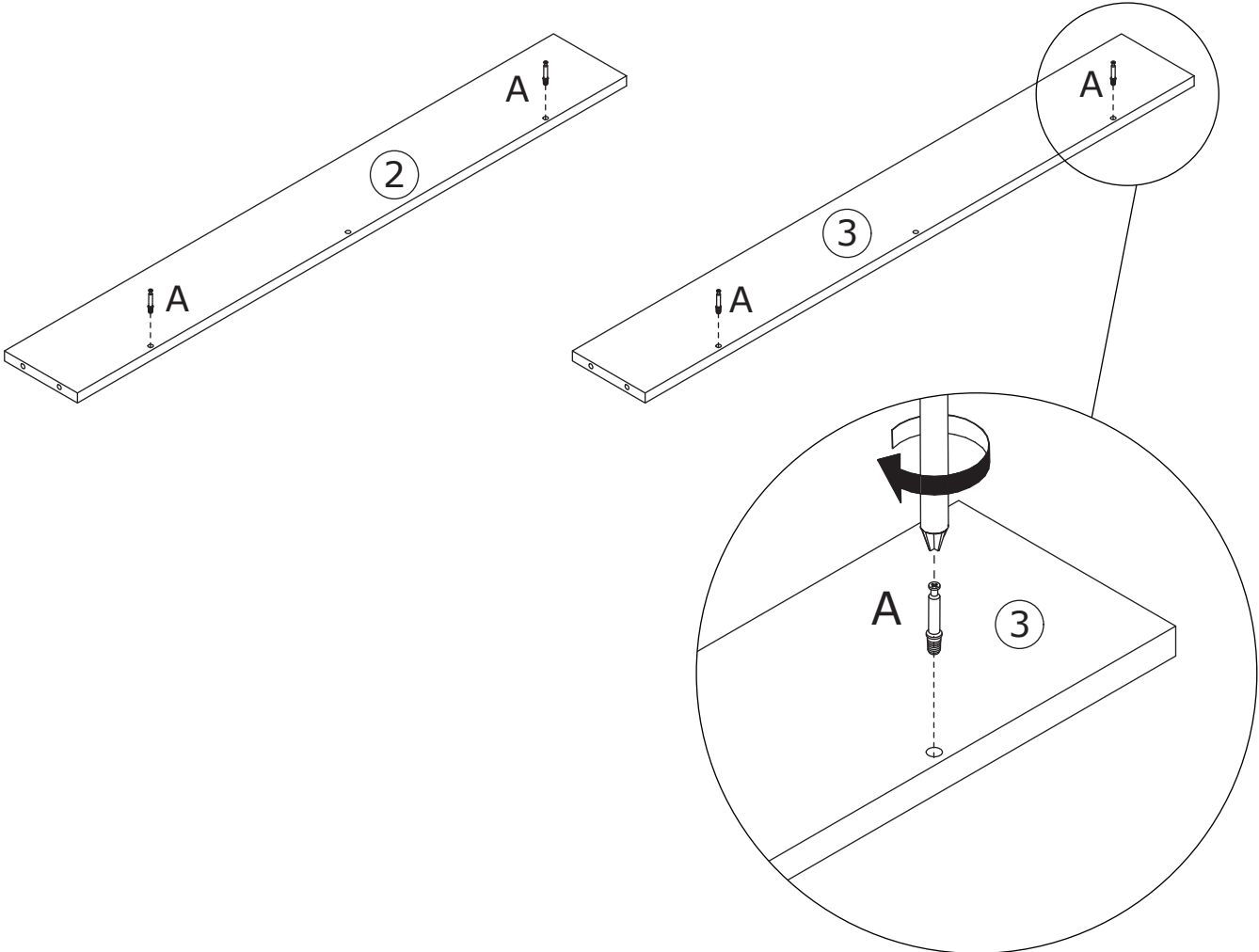


Attach plate 1 to plate 10,11 and 9 with wooden dowel(D), then fix using screw(E) as shown.

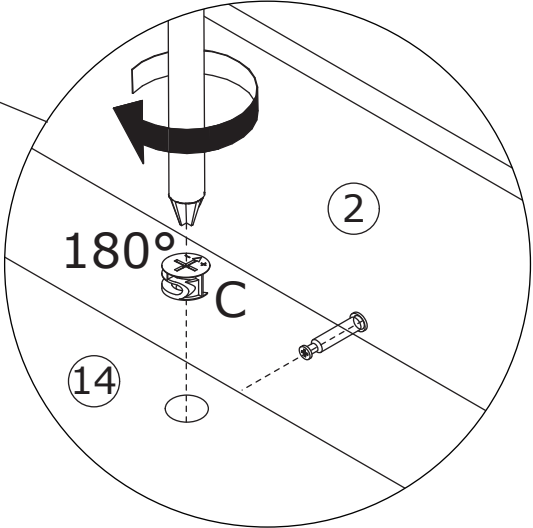
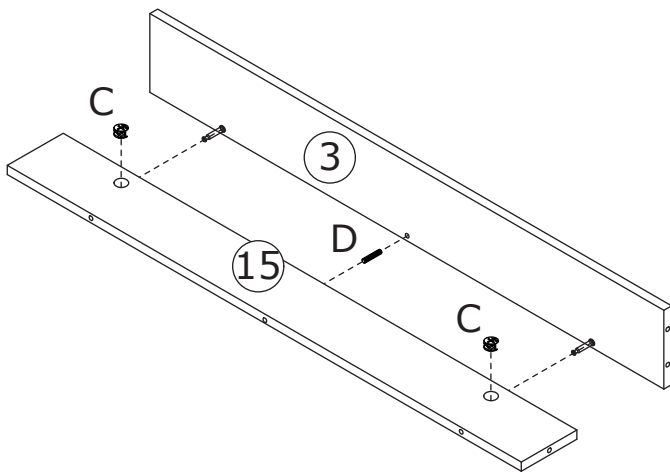
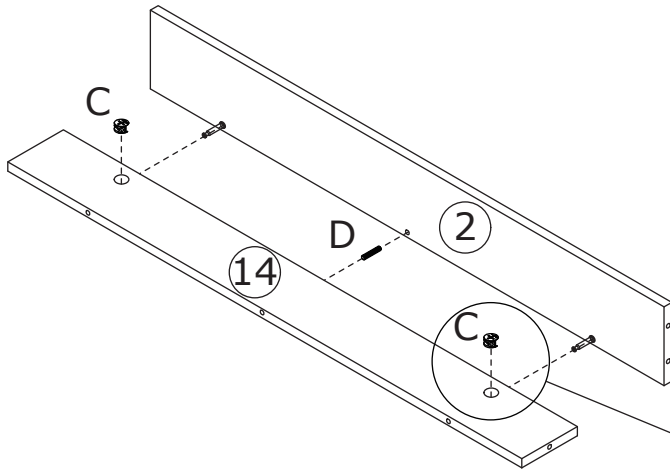
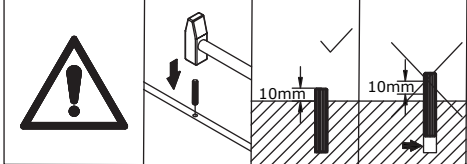
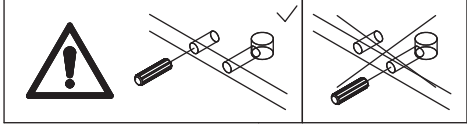
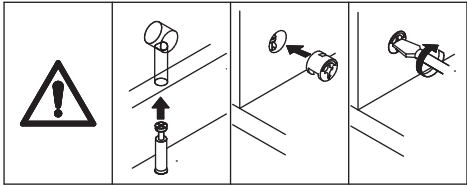
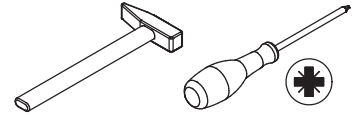
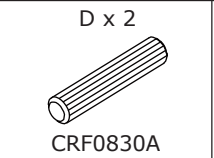
8



Insert quickfit screw(A) into plate 2 and 3 as shown.



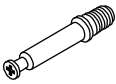


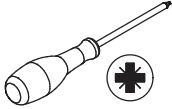
9

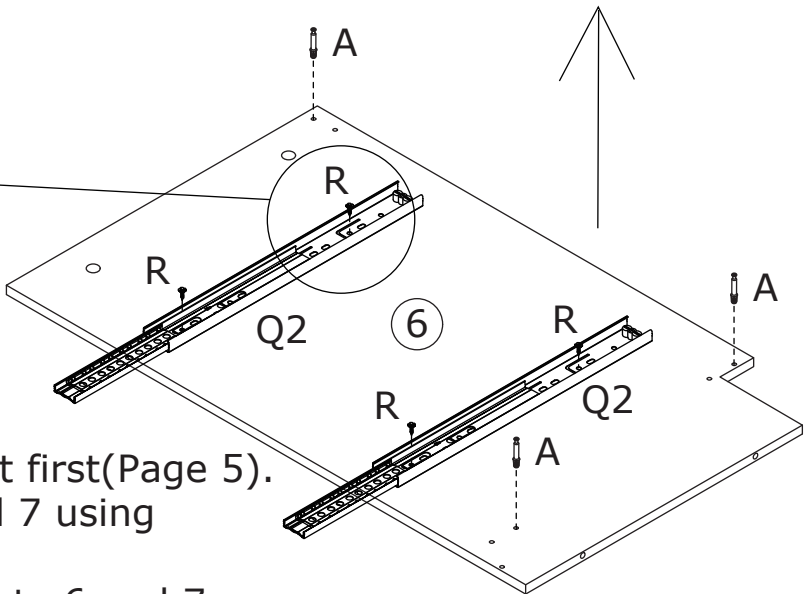
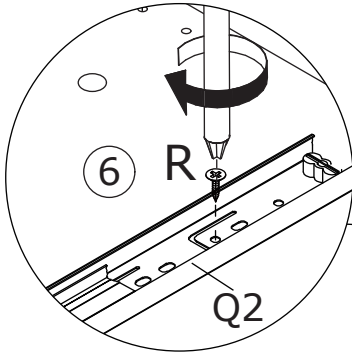
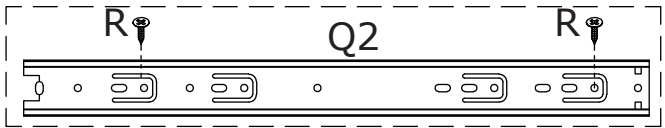
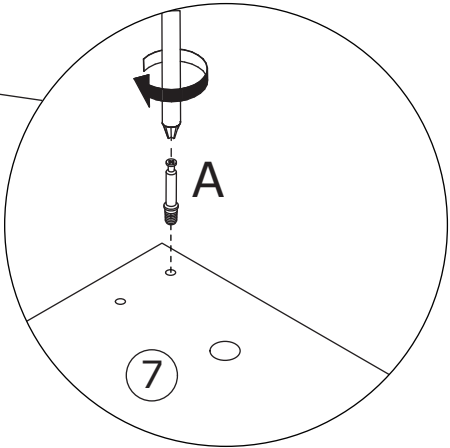
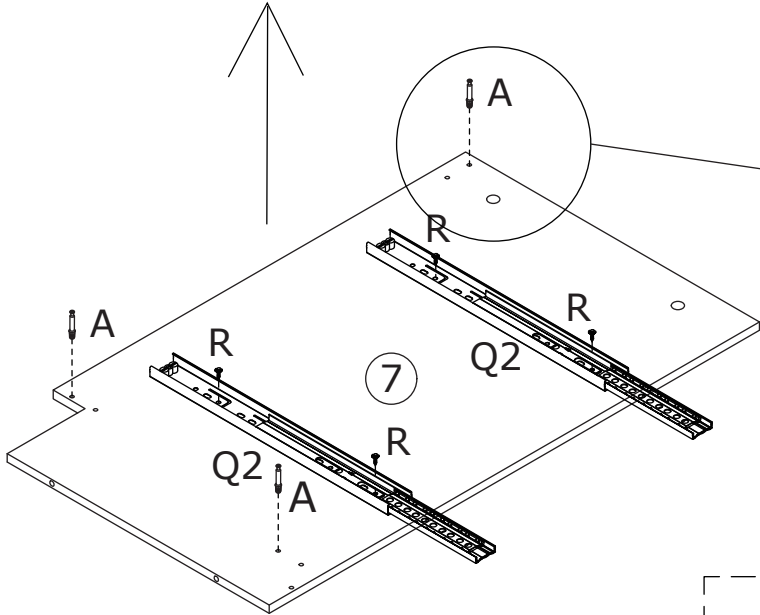
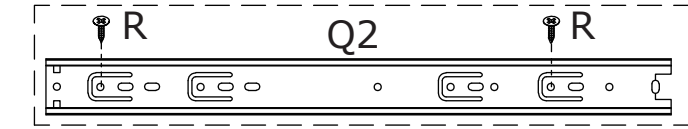
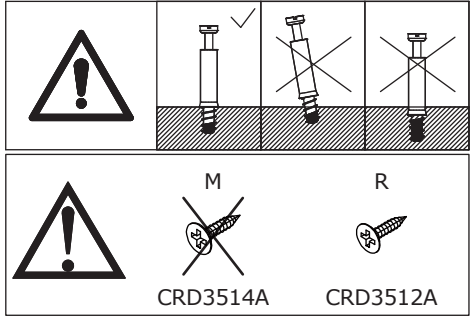


Attach plate 2 to plate 14 with wooden dowel(D);
put cam lock(C) into holes in plate 14 and turn
clockwise to tighten as shown.

Attach plate 3 to plate 15 with wooden dowel(D);
put cam lock(C) into holes in plate 15 and turn
clockwise to tighten as shown.

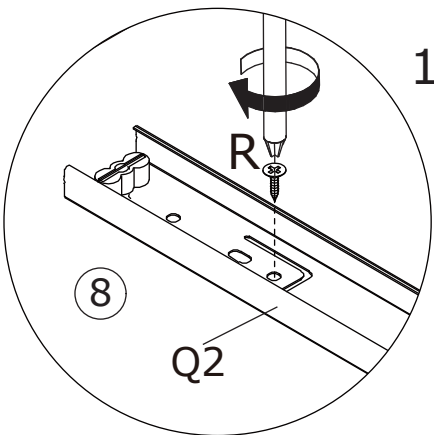
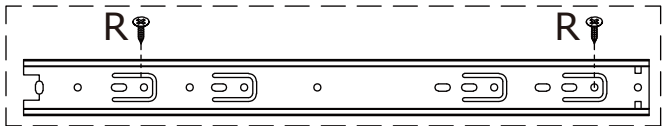
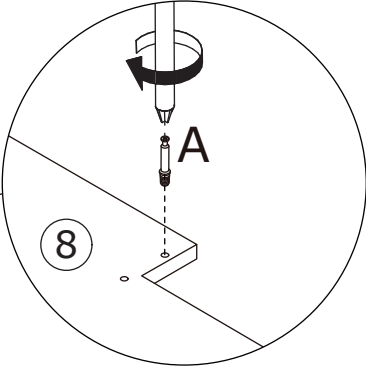
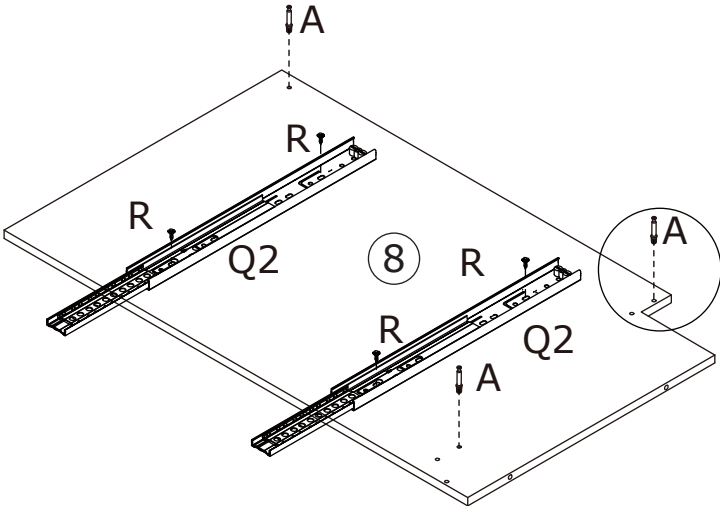
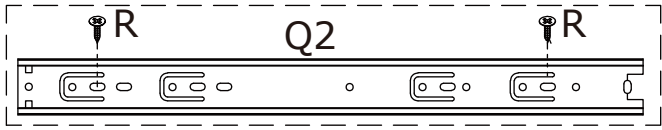
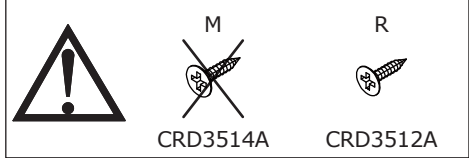
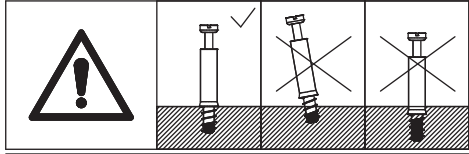
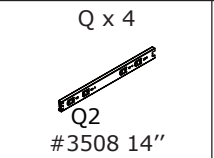
10

A x 6  CRA0635A	Q x 4  Q2 #3508 14"	R x 8  CRD3512A	
--	---	--	---

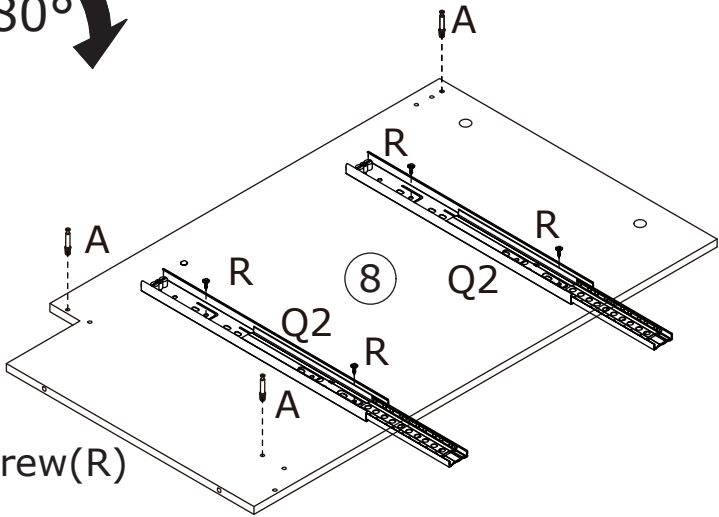


Separate glide into two parts at first(Page 5).
Fix slide rail(Q2) to plate 6 and 7 using
screw(R) as shown.
Insert quickfit screw(A) into plate 6 and 7
as shown.

11



180°



Fix slide rail(Q) to plate 8 using screw(R) at first.

Flip the plate, and fix slide rail(Q2) as shown.

Insert quickfit screw(A) into plate 8 as shown.

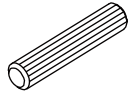
12

C x 3

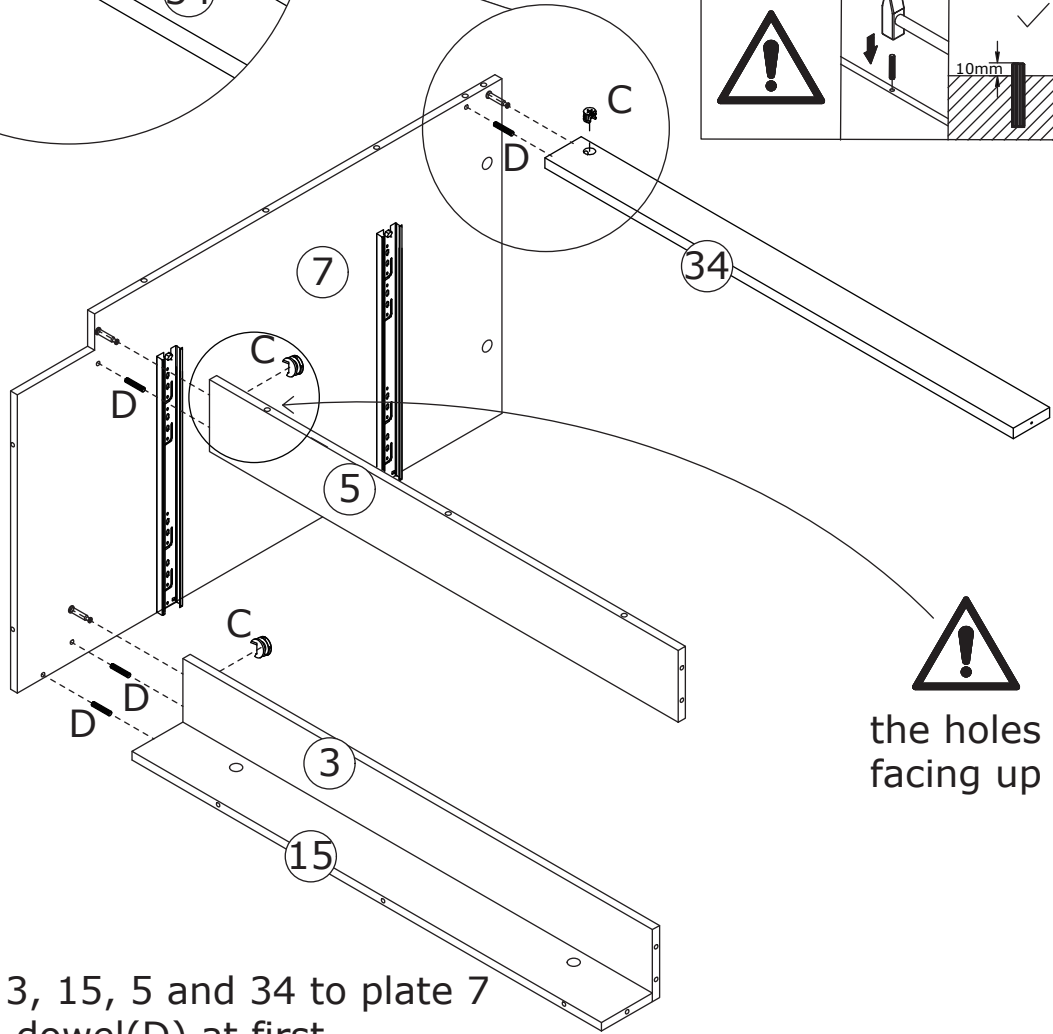
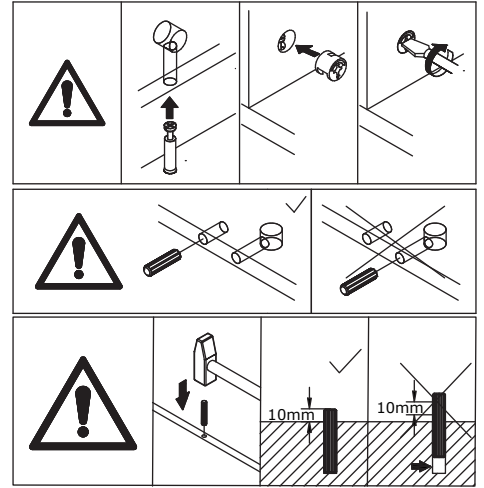
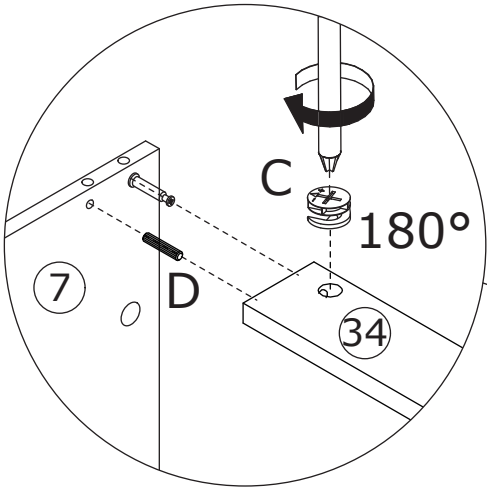
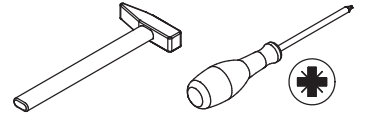


CRB1595A

D x 4




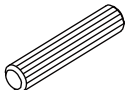
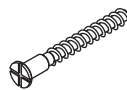
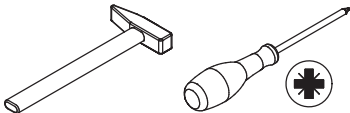
CRF0830A



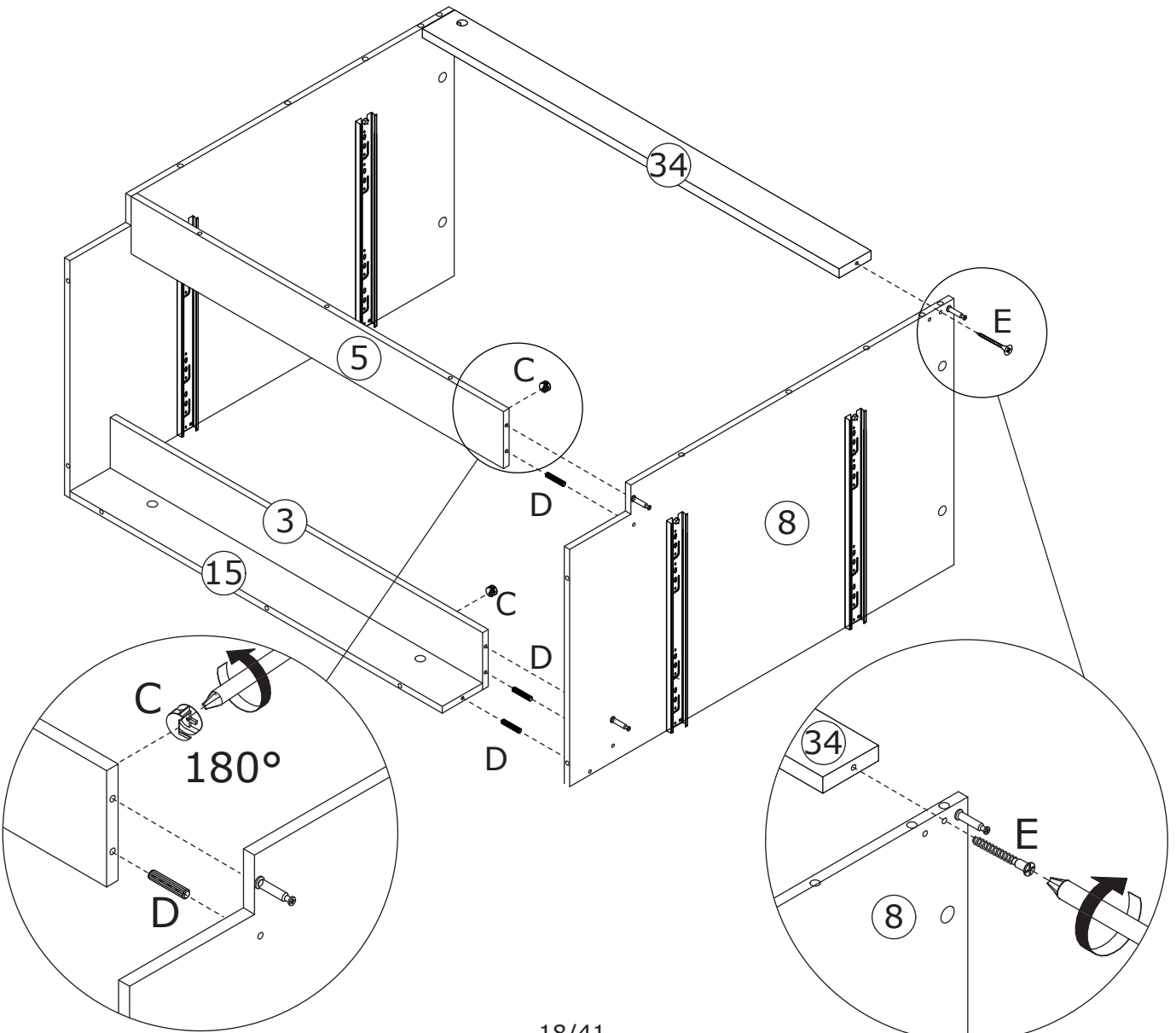
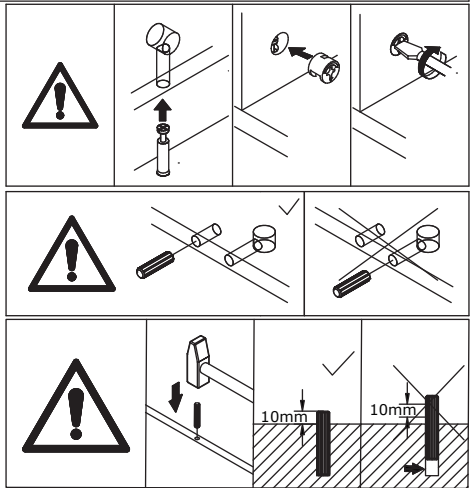
the holes are facing up

Attach plate 3, 15, 5 and 34 to plate 7 with wooden dowel(D) at first. Put cam lock(C) into holes in plate 3,5, 34 and turn clockwise to tighten as shown.

13

<p>C x 2</p>  <p>CRB1595A</p>	<p>D x 3</p>  <p>CRF0830A</p>	<p>E x 1</p>  <p>CRD0540A</p>	
--	--	--	---

Attach plate 3, 15 and 5 to plate 8 with wooden dowel(D) at first.
 Put cam lock(C) into holes in plate 3,5 and turn clockwise to tighten as shown.
 Fix plate 8 to plate 34 with screw(E) as shown.



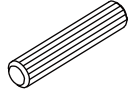
14

C x 3

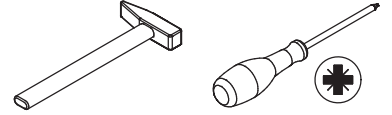


CRB1595A

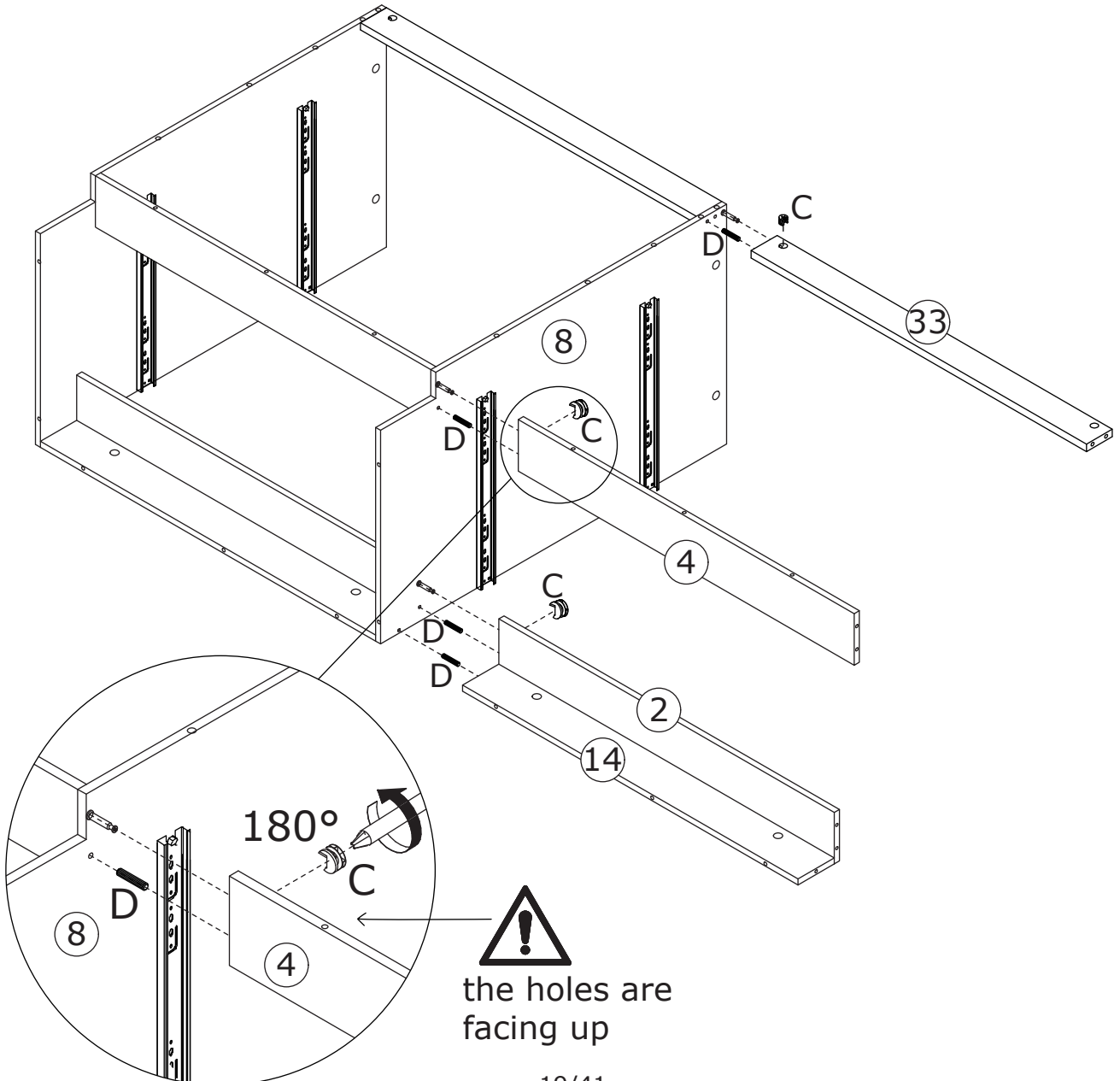
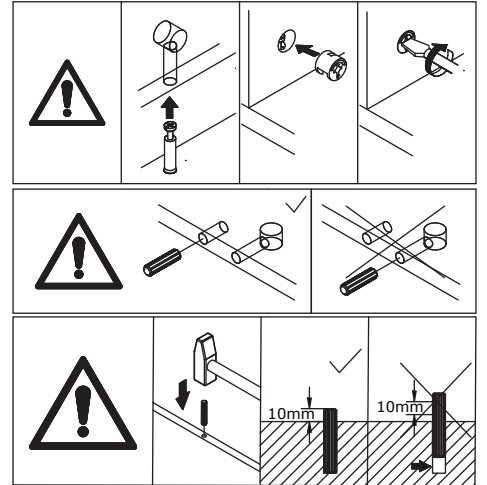
D x 4



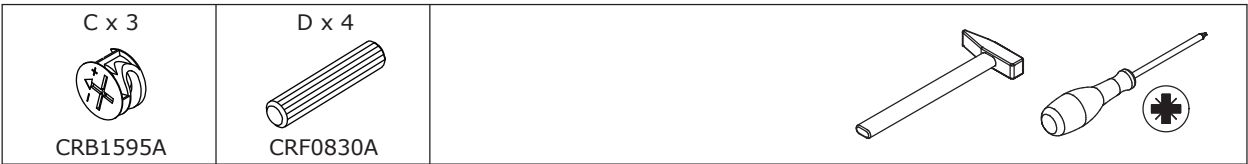
CRF0830A



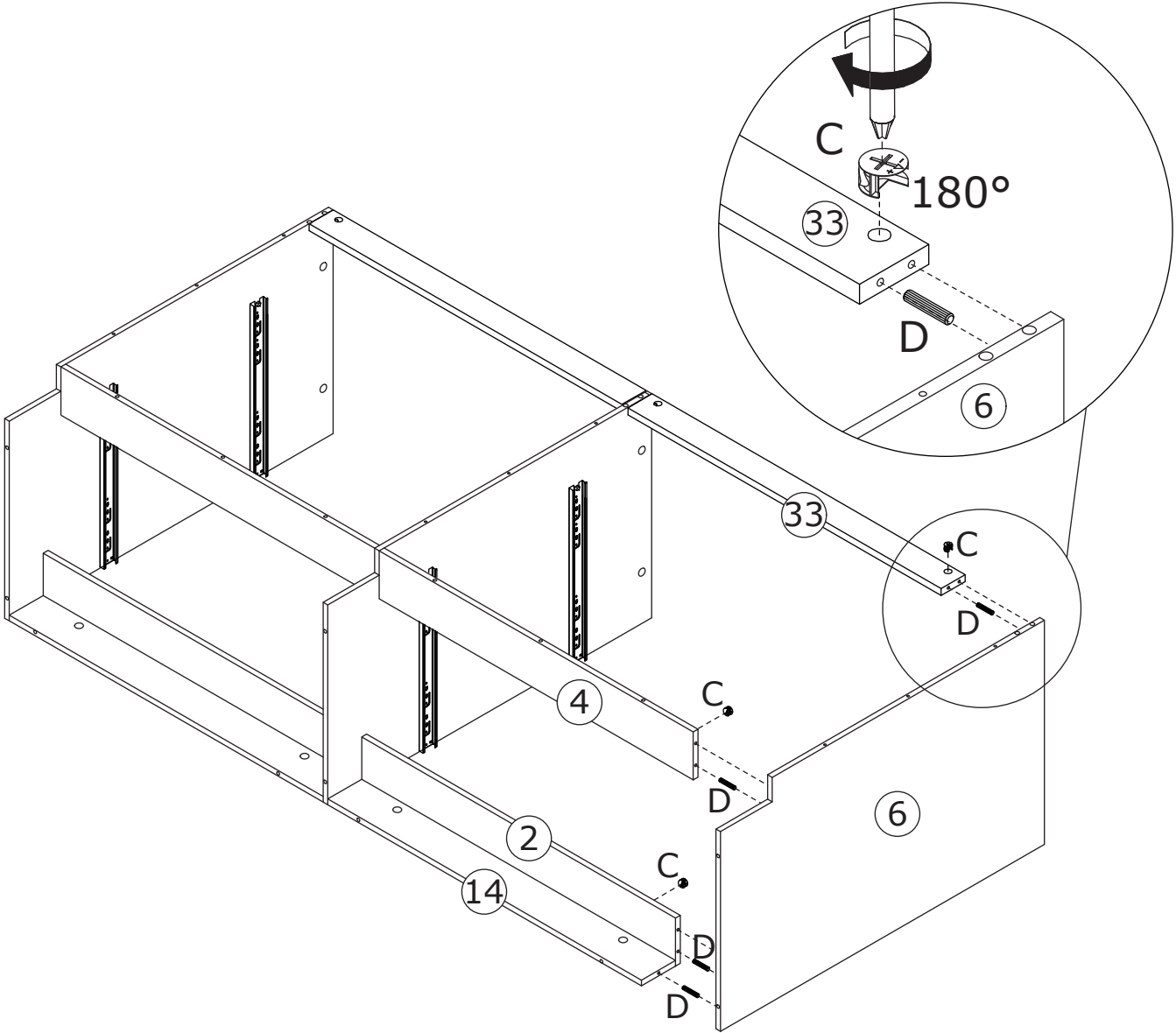
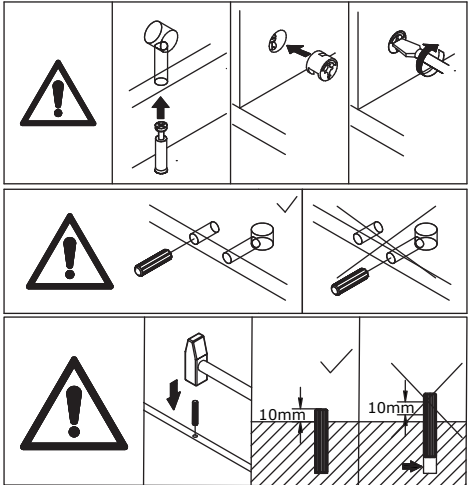
Attach plate 2, 14, 4 and 33 to plate 8 with wooden dowel(D) at first.
Put cam lock(C) into holes in plate 2,4,33 and turn clockwise to tighten as shown.



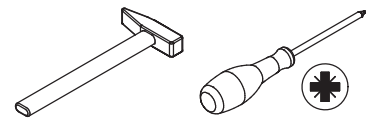
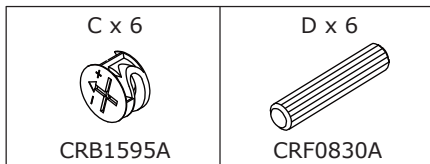
15



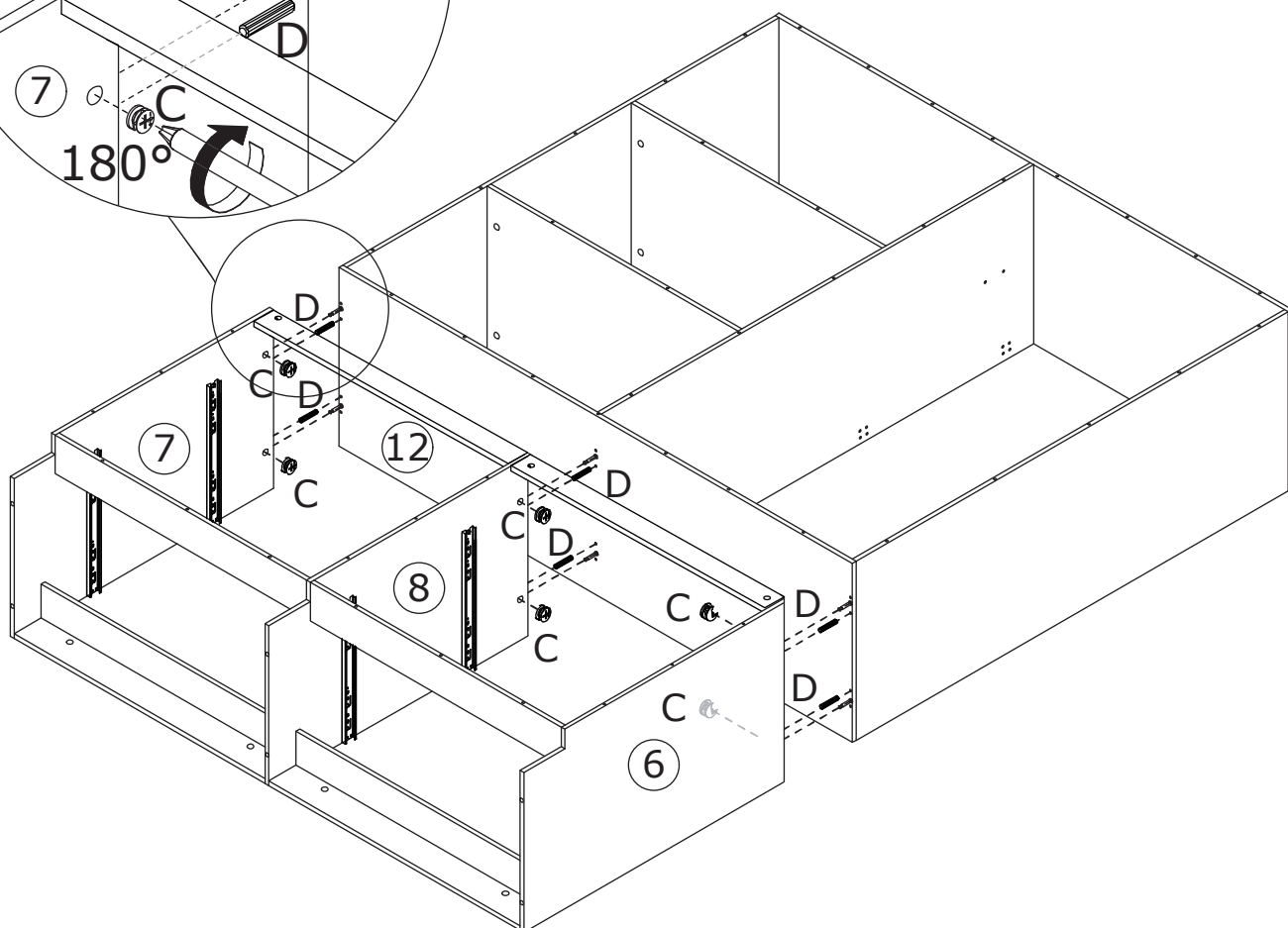
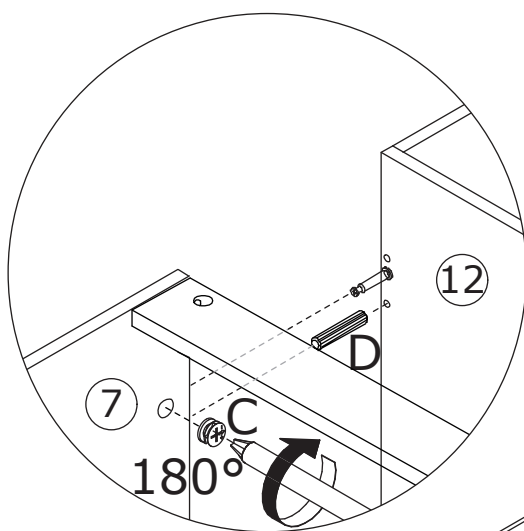
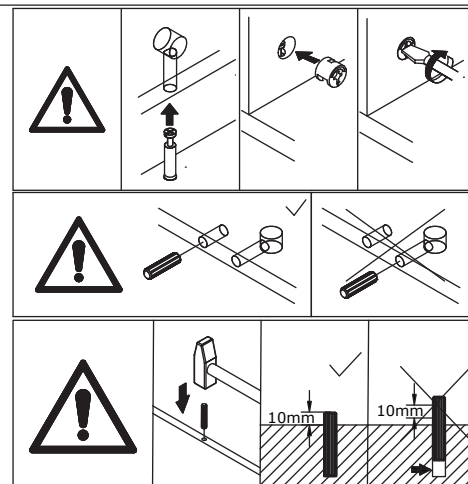
Attach plate 6 to plate 4, 2, 14 and 33 with wooden dowel(D) at first. Put cam lock(C) into holes in plate 2,4,33 and turn clockwise to tighten as shown.




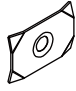


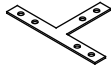
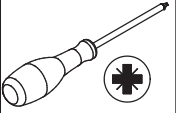
16

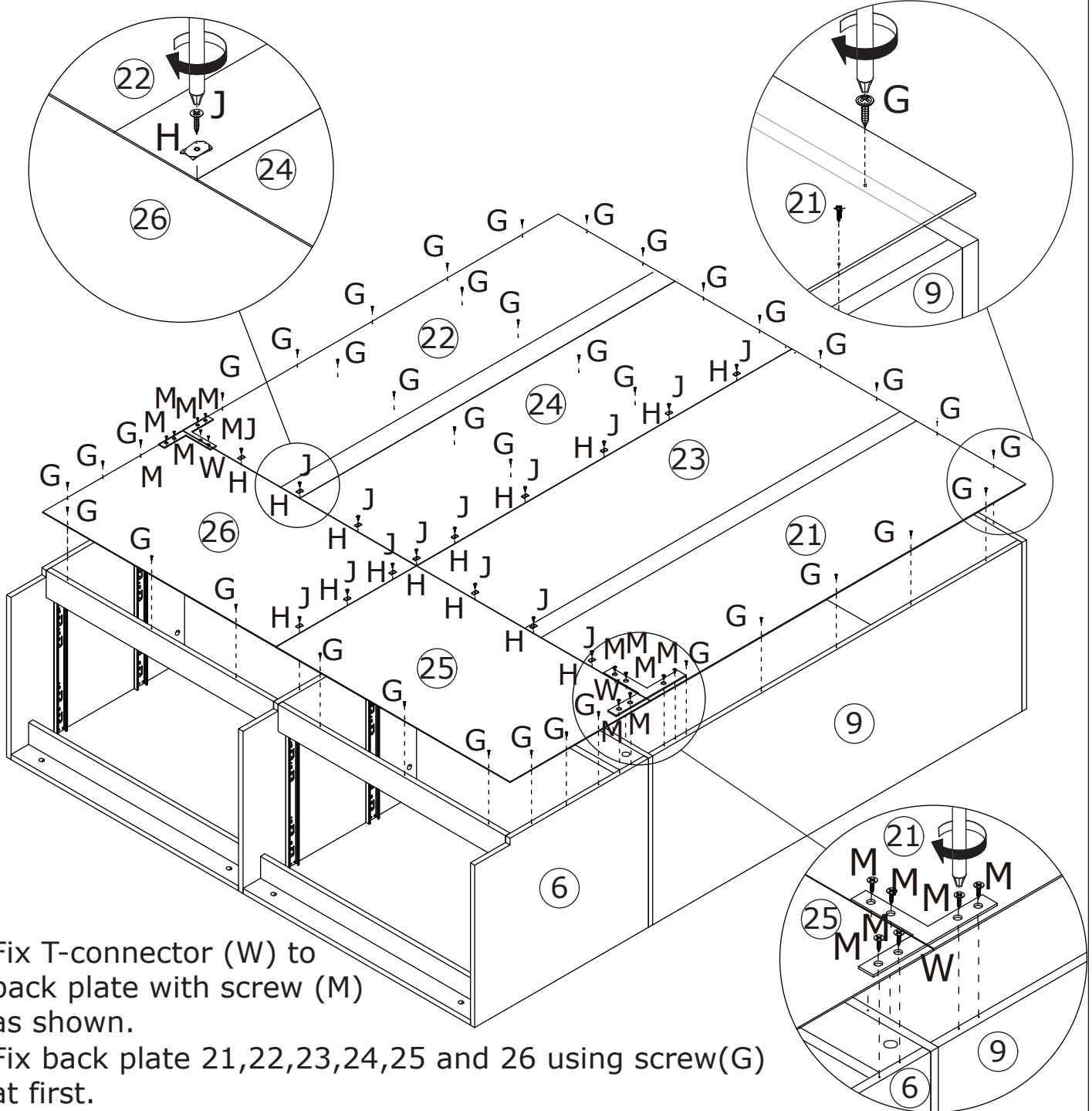


Connect the two components with wooden dowel(D) at first.
Put cam lock(C) into holes in plate 7,8,6 and turn clockwise to tighten as shown.



17

G x 38  CRE0312A	H x 15 	J x 15  CRD0314A	M x 12  CRD3514A	W x 2 	
---	---	---	--	--	---

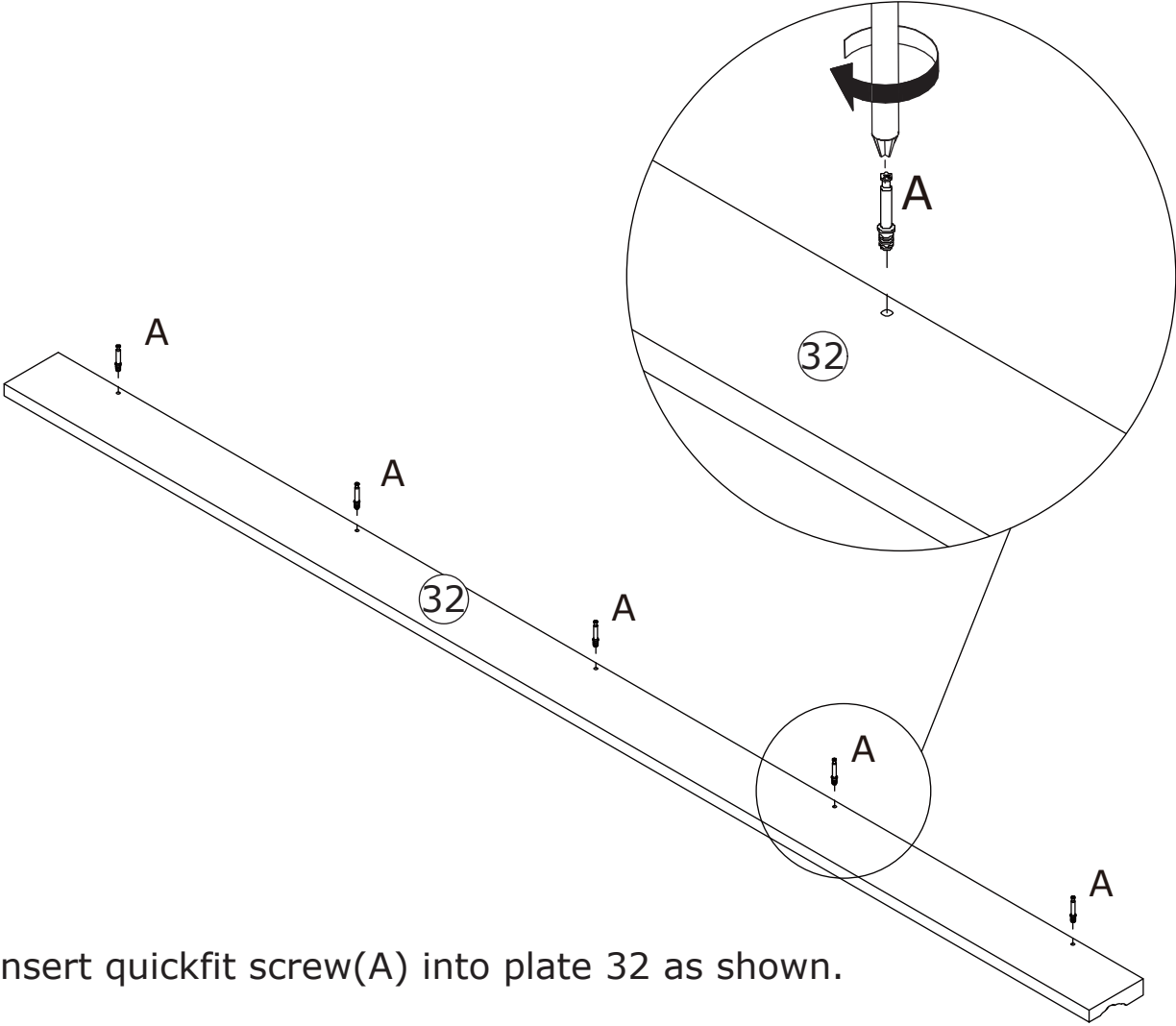
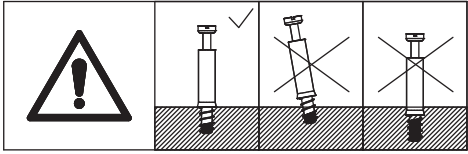
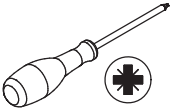


Fix T-connector (W) to back plate with screw (M) as shown.

Fix back plate 21,22,23,24,25 and 26 using screw(G) at first.

Fix each plate together using iron sheet(H) with screw(J) as shown.

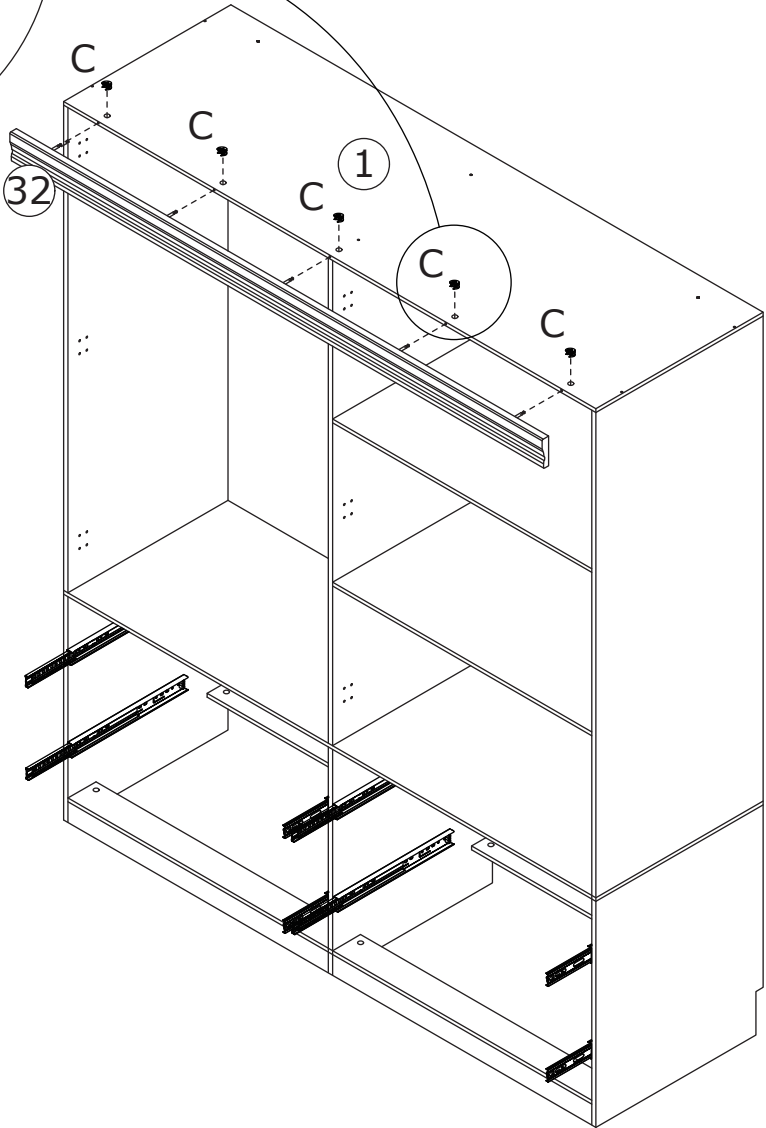
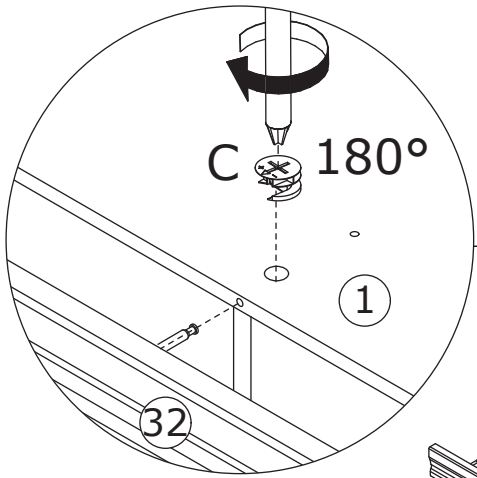
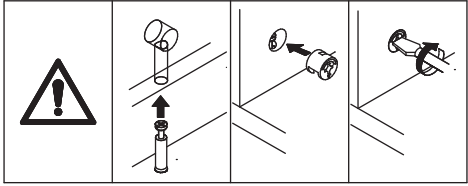
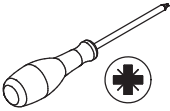
18



Insert quickfit screw(A) into plate 32 as shown.

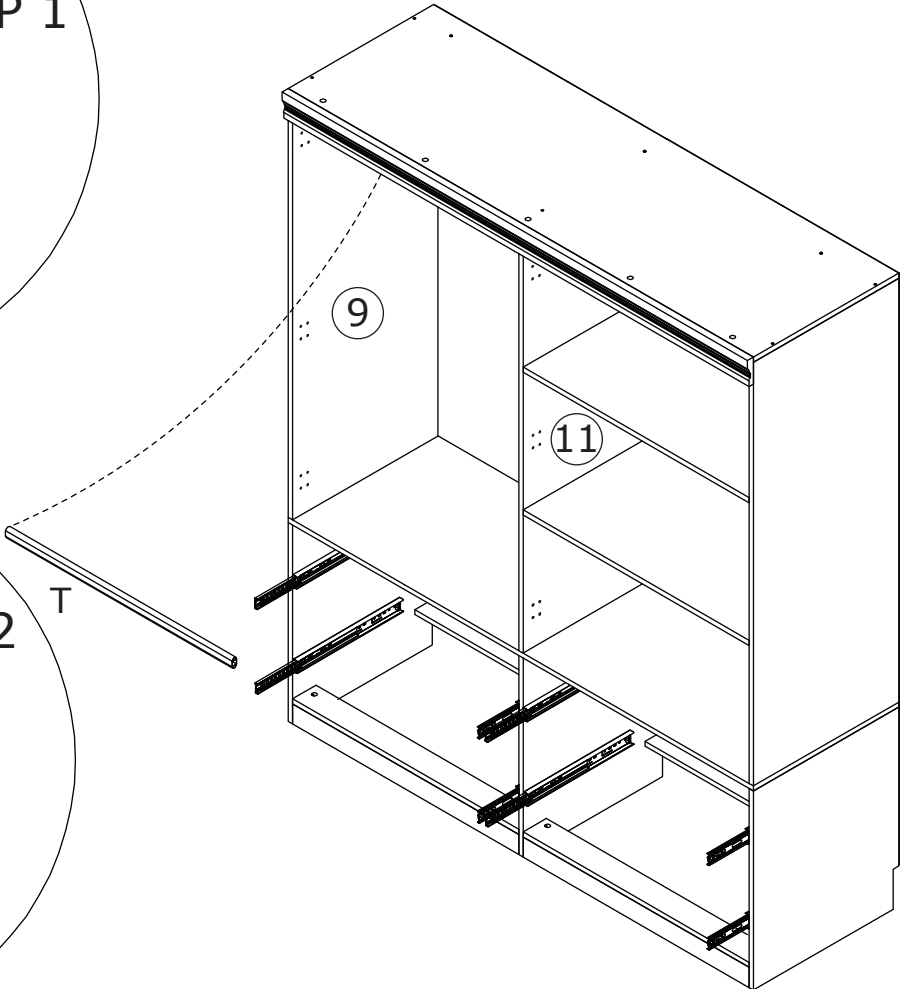
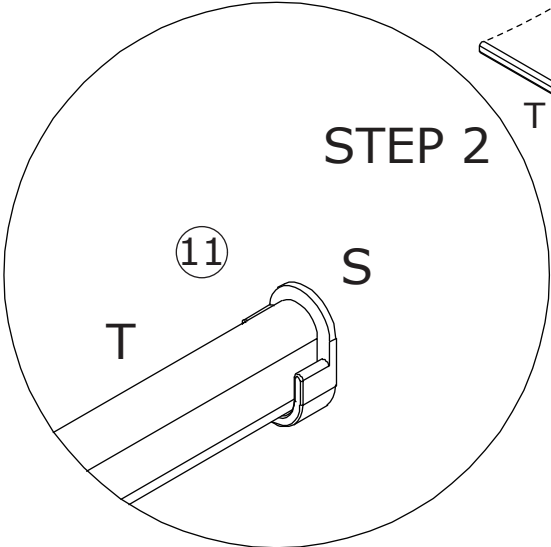
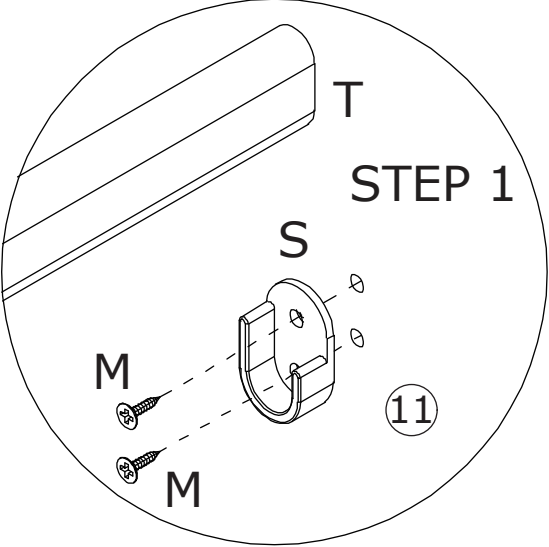
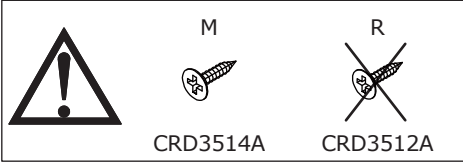
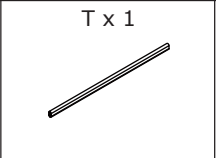
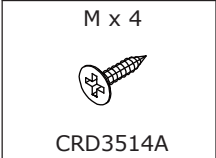
19

C x 5
CRB1595A



Attach plate 32 to plate 1 at first.
Put cam lock(C) into holes in plate 1 and turn clockwise to tighten as shown.

20

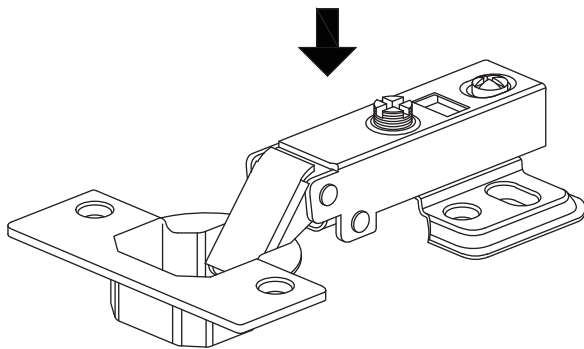


Fix part(S) to plate 9 and 11 using screw(M) as shown.
Place clothing rod(T) as shown.

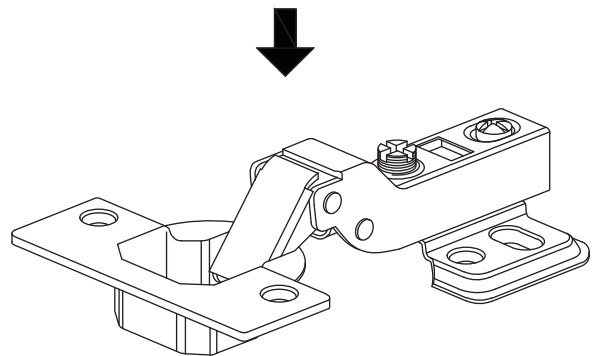


Pay attention to the difference between the middle parts of the two types of door hinges.

- The full coverage door hinges(K) are used on the outermost door plates
- And the curved door hinges(L) are used on the door panel in the middle of the cabinet.

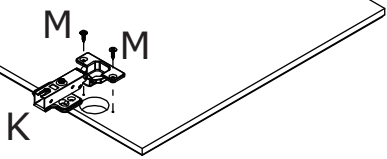
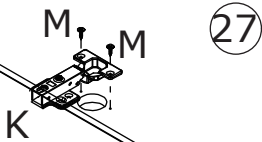
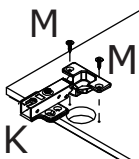
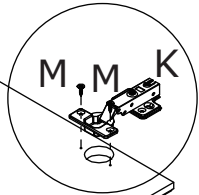
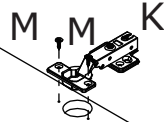
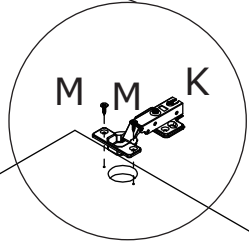
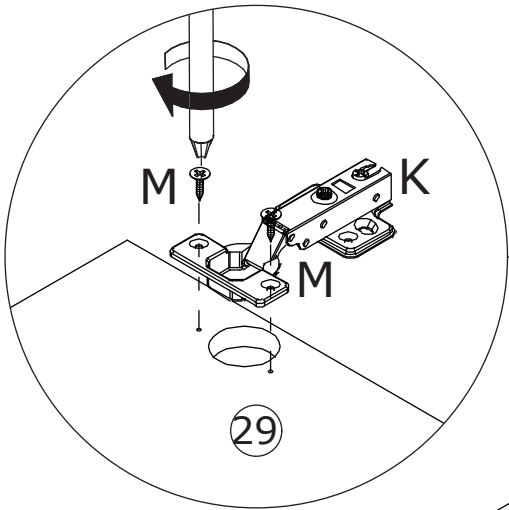
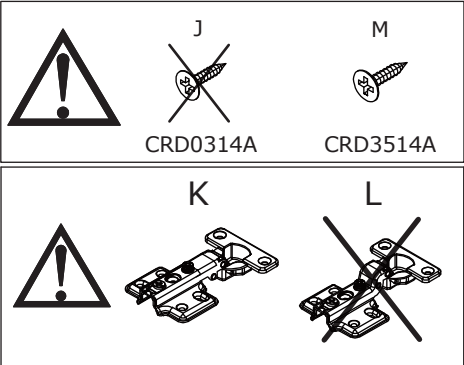
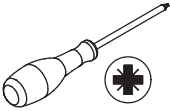
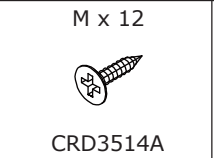
**K**

Full overlay hinge

**L**




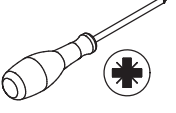
Half overlay hinge




22

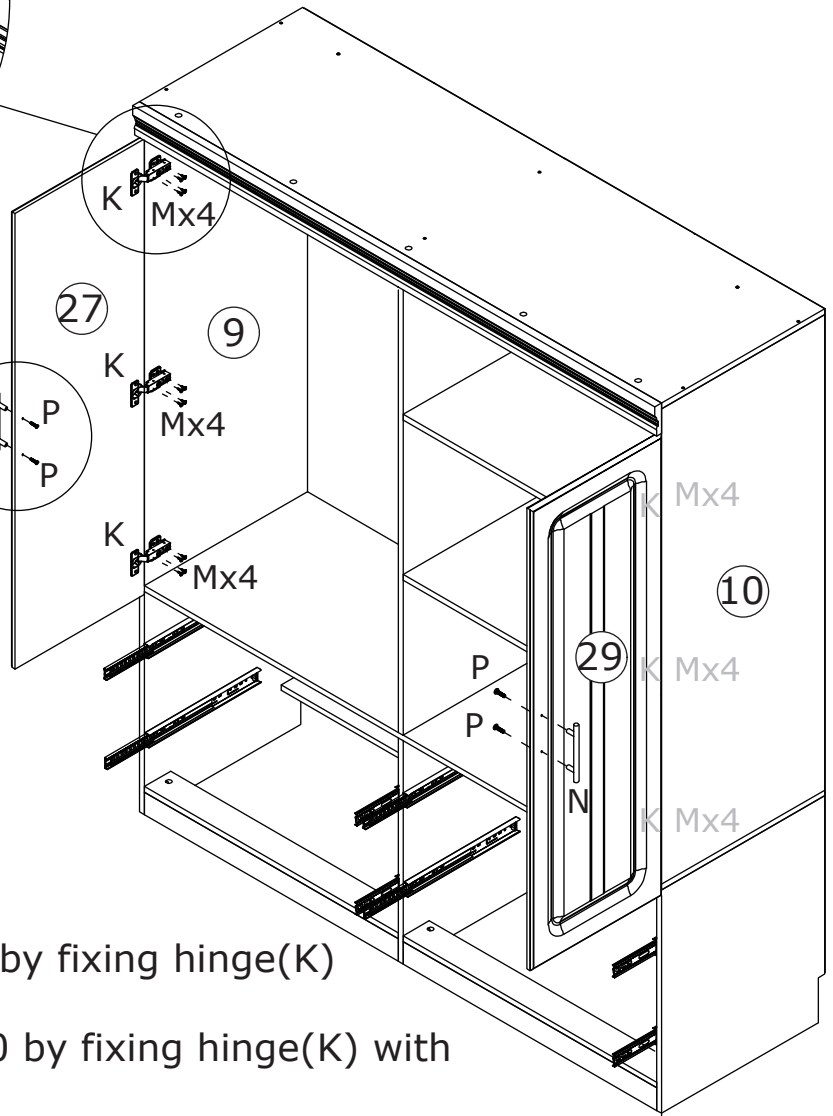
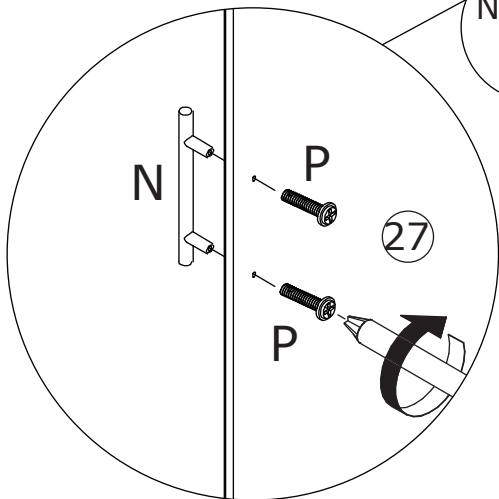
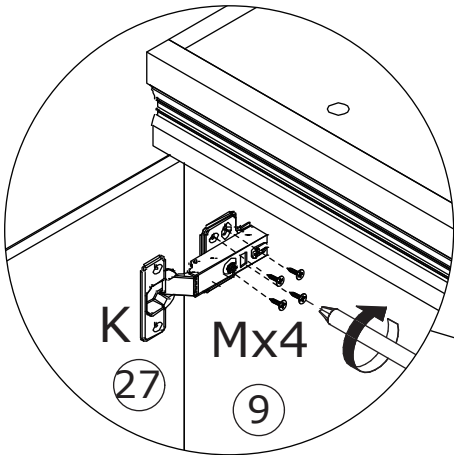


Fix hinge(K) to plate 27 and 29 respectively using screw(M) as shown. **Please note, hinge(K) is used in this step.**

23

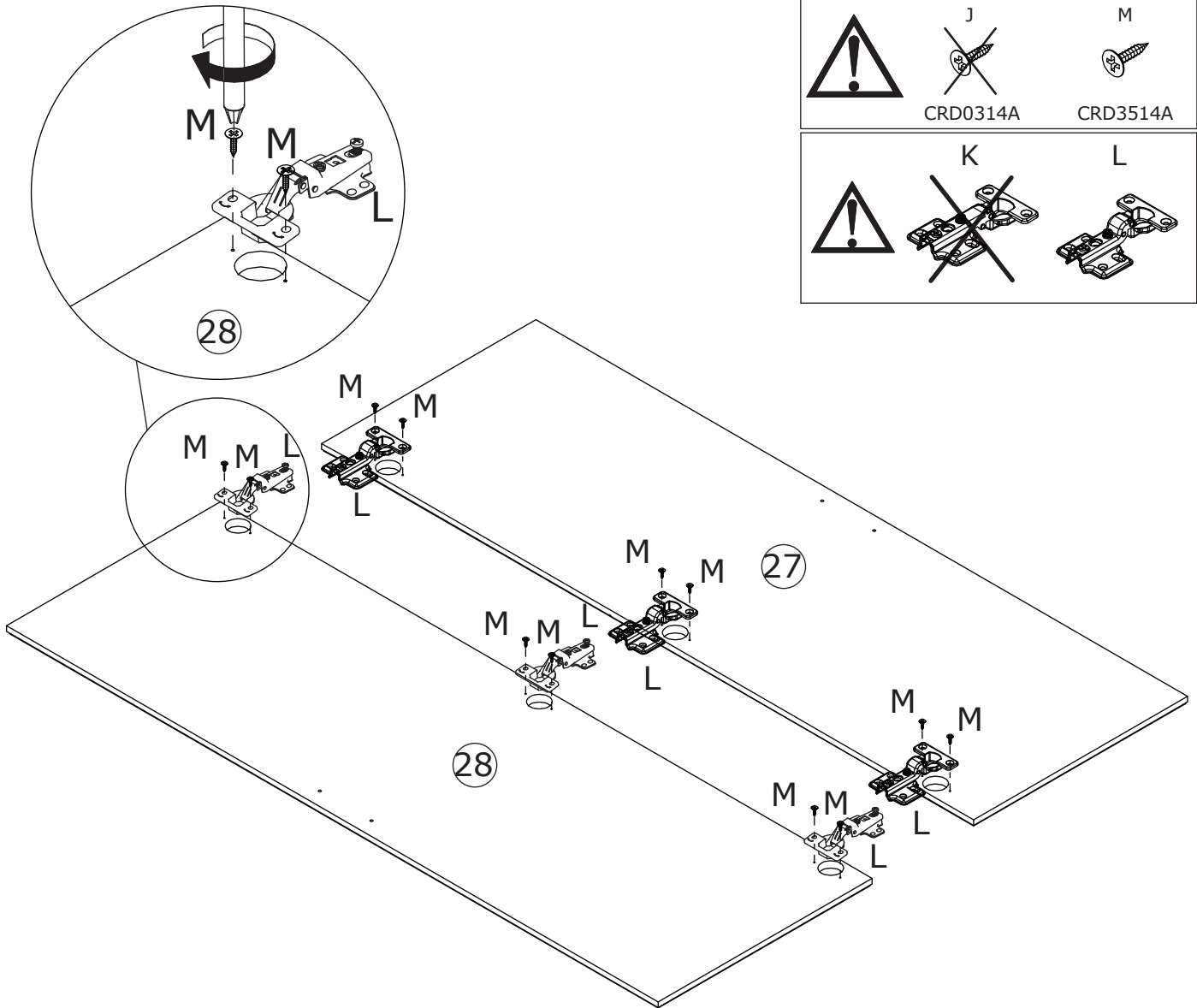
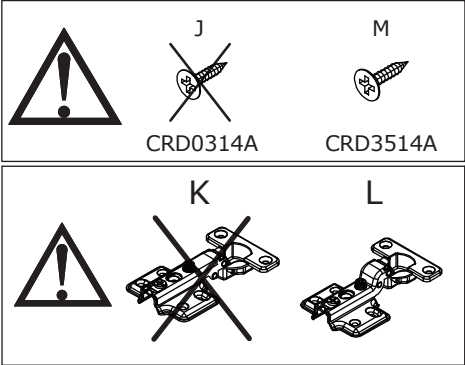
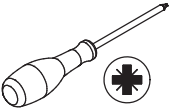
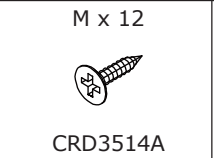
M x 24  CRD3514A	N x 2 	P x 4  CRE0420A	
---	--	--	---

	J  CRD0314A	M  CRD3514A
---	--	--



Attach plate 27 to plate 9 by fixing hinge(K) with screw(M) as shown.
 Attach plate 29 to plate 10 by fixing hinge(K) with screw(M) as shown.
 Fix handle(N) to both door plates using screw(P) as shown.




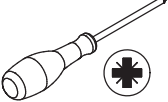
24






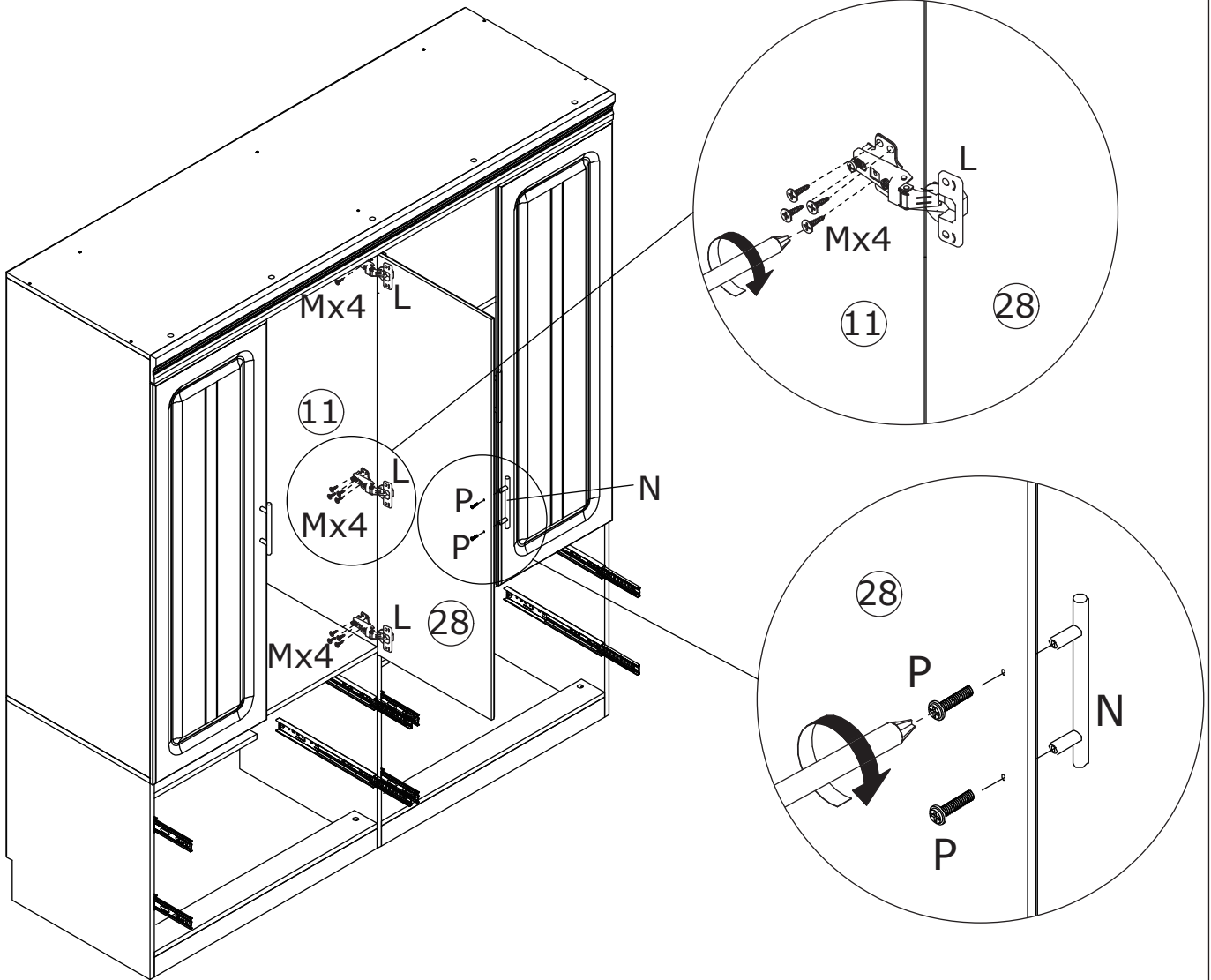
Fix hinge(L) to another plate 27 and 28 respectively using screw(M) as shown.

Please note, hinge(L) is used in this step.

25


M x 12  CRD3514A	N x 1 	P x 2  CRE0420A	
---	--	--	---


	J  CRD0314A	M  CRD3514A
---	--	--



Attach plate 28 to plate 11 by fixing hinge(L) with screw(M) as shown.
Fix handle(N) using screw(P) as shown.

26




M x 12

CRD3514A

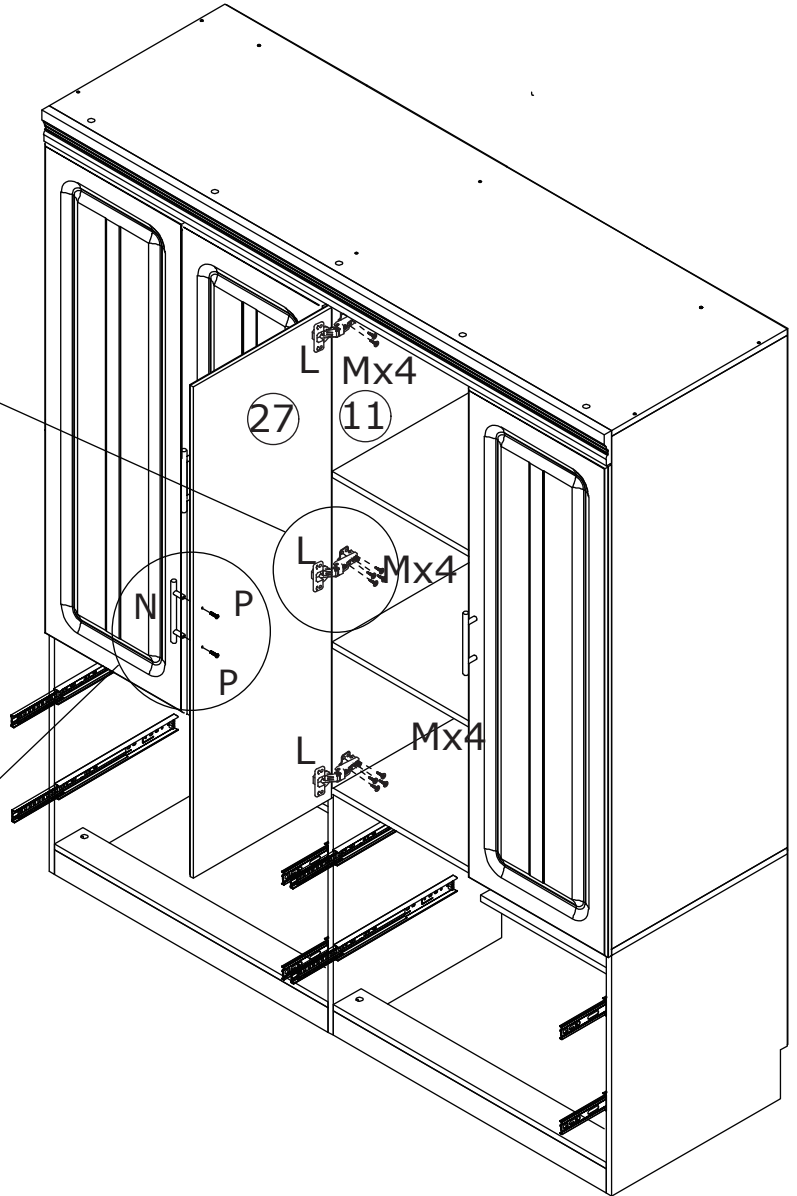
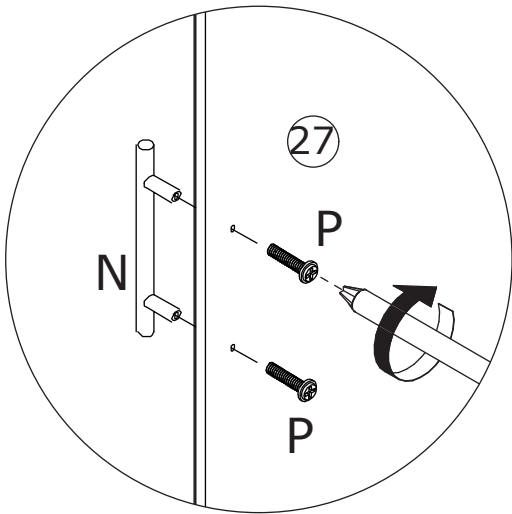
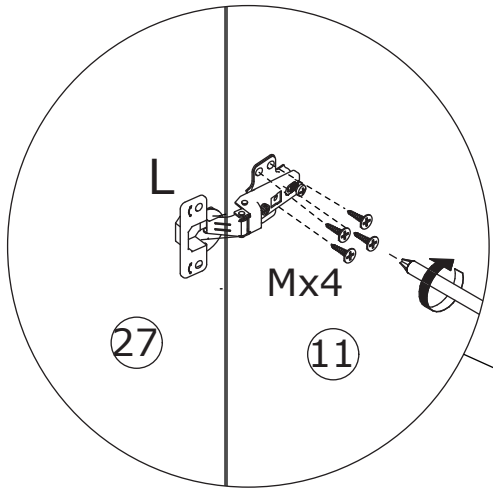
N x 1


P x 2

CRE0420A

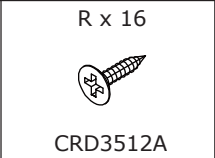
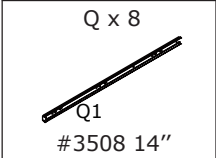
 

  
CRD0314A CRD3514A

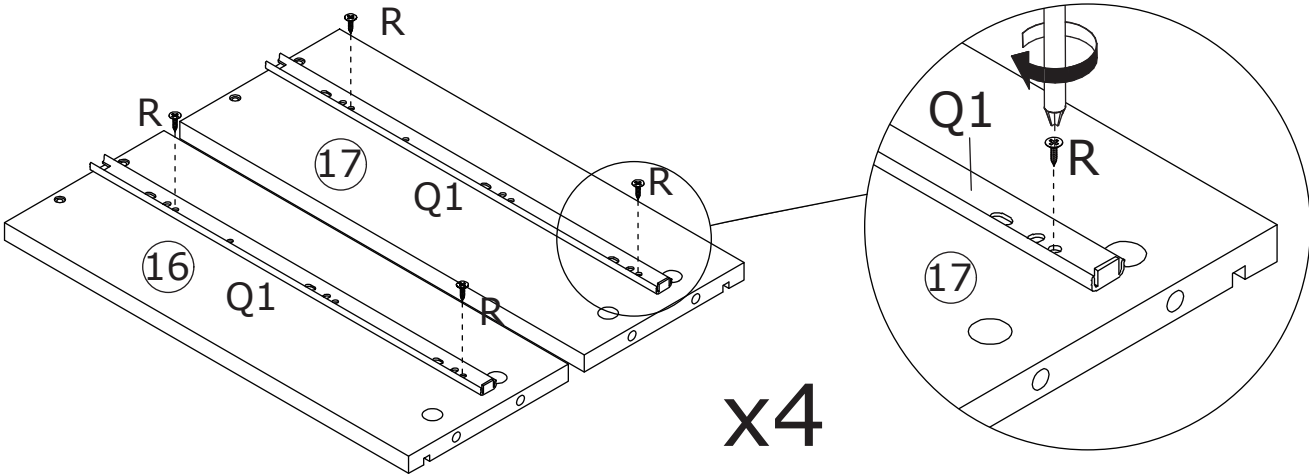
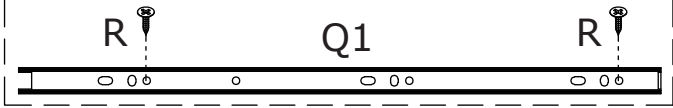
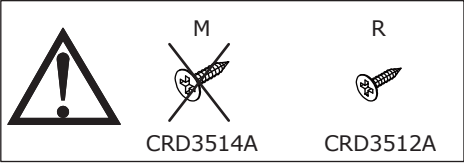


Attach plate 27 to plate 11 by fixing hinge(L) with screw(M) as shown.
Fix handle(N) using screw(P) as shown.

27



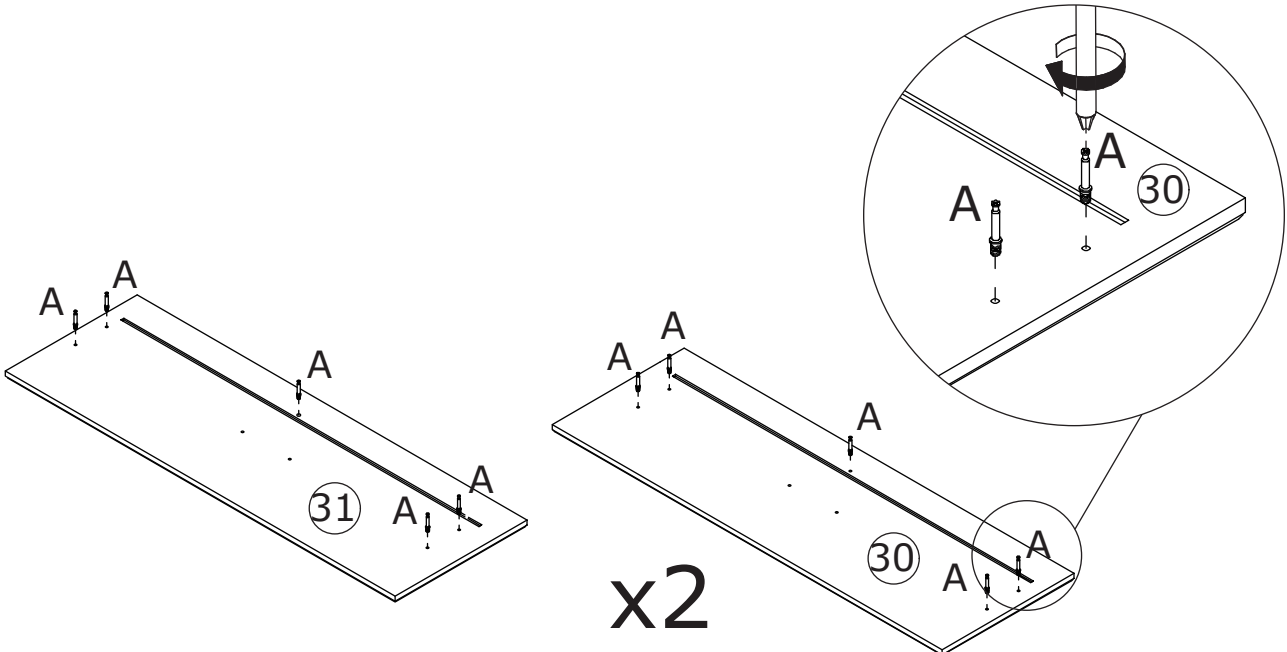
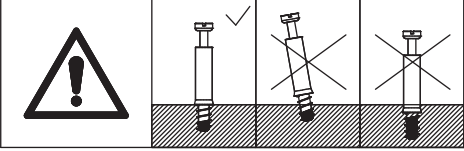
Fix track(Q1) to plate 16 and 17 using screw(R) as shown.



28

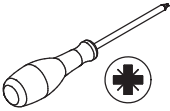


Insert quickfit screw(A) into plate 30 and 31 as shown.

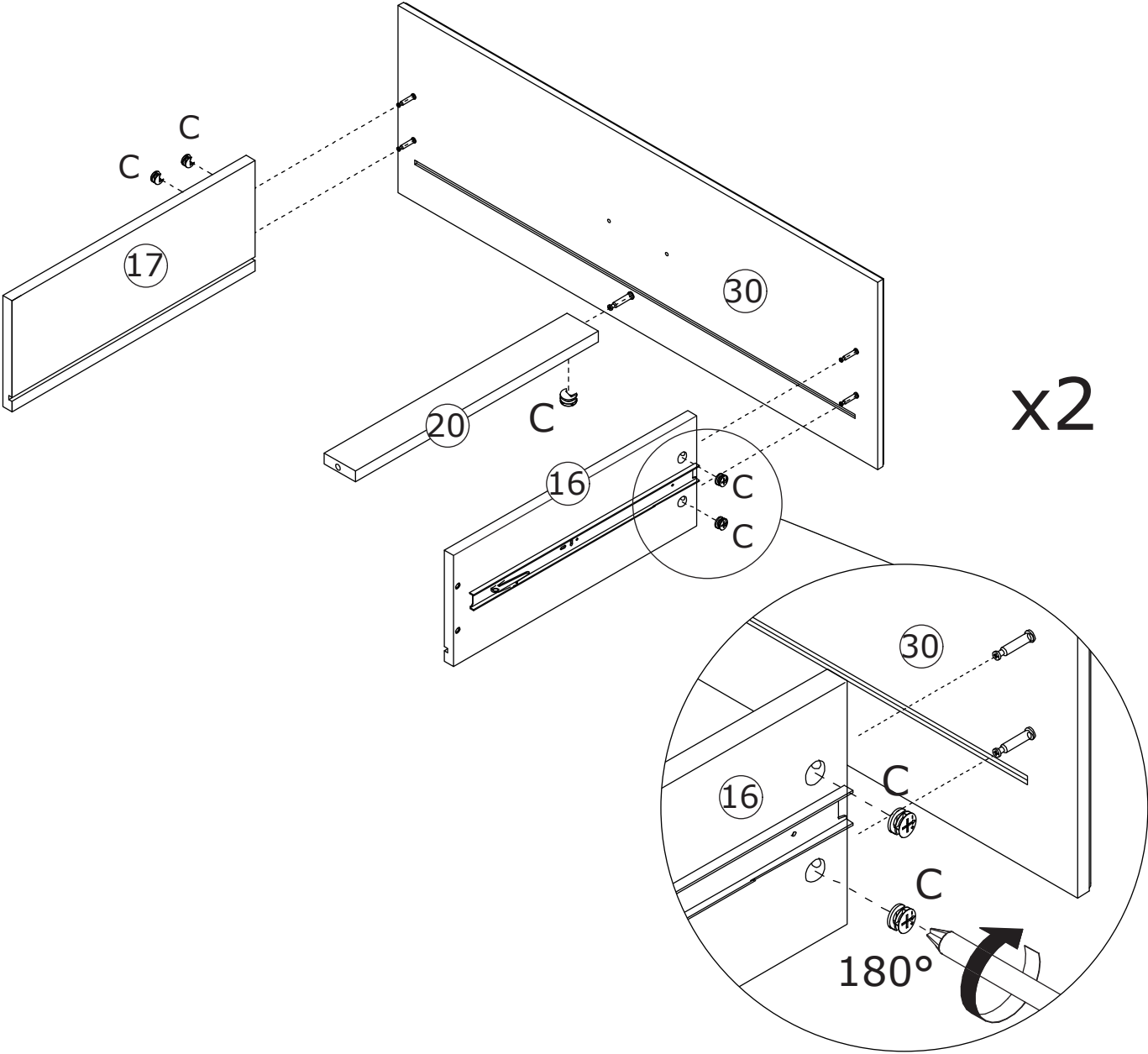
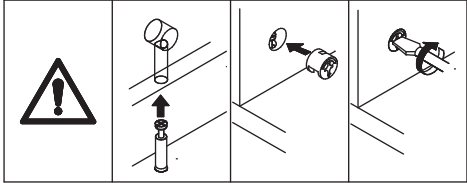


29

C x 10
CRB1595A

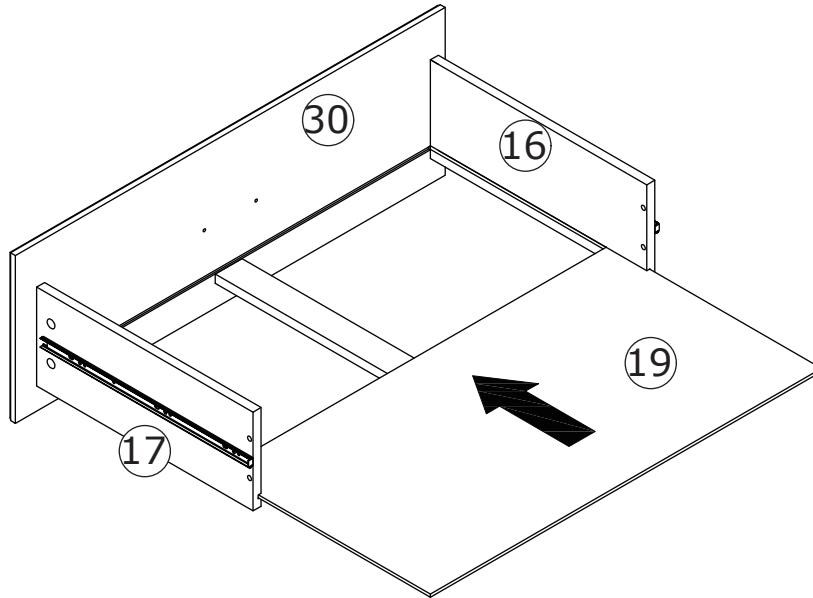


Attach plate 16, 17 and 20 to plate 30, and turn cam lock(C) clockwise to tighten as shown.



30

Slide plate 19 along grooves as shown.

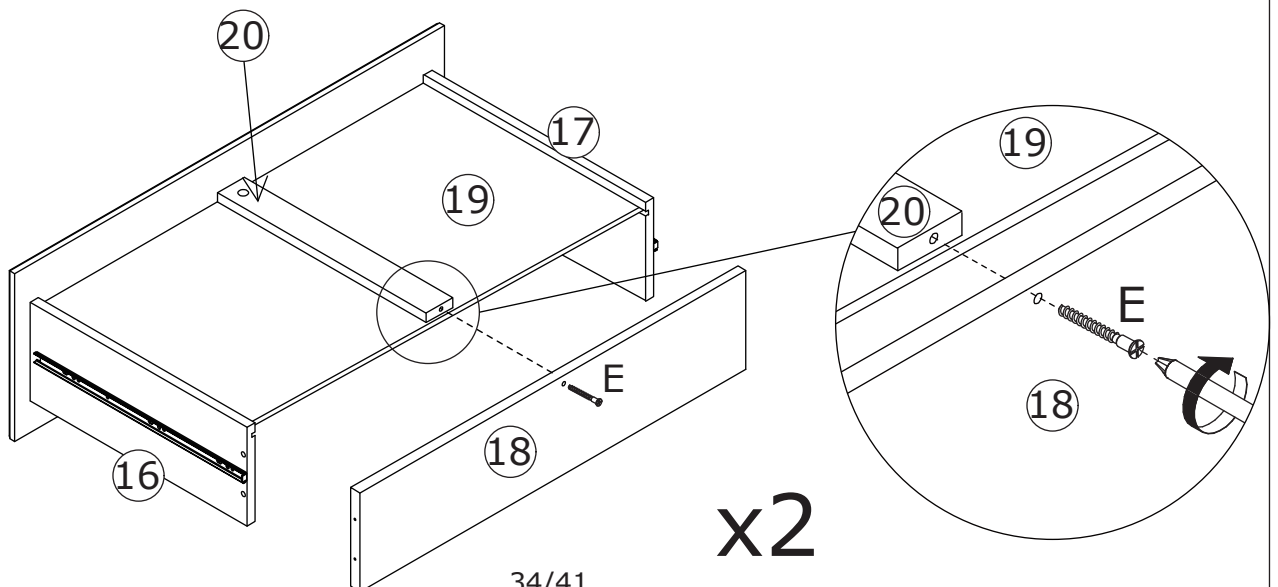


x2

31

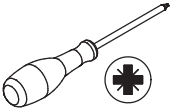


Fix plate 18 to plate 20 with screw(E) as shown.

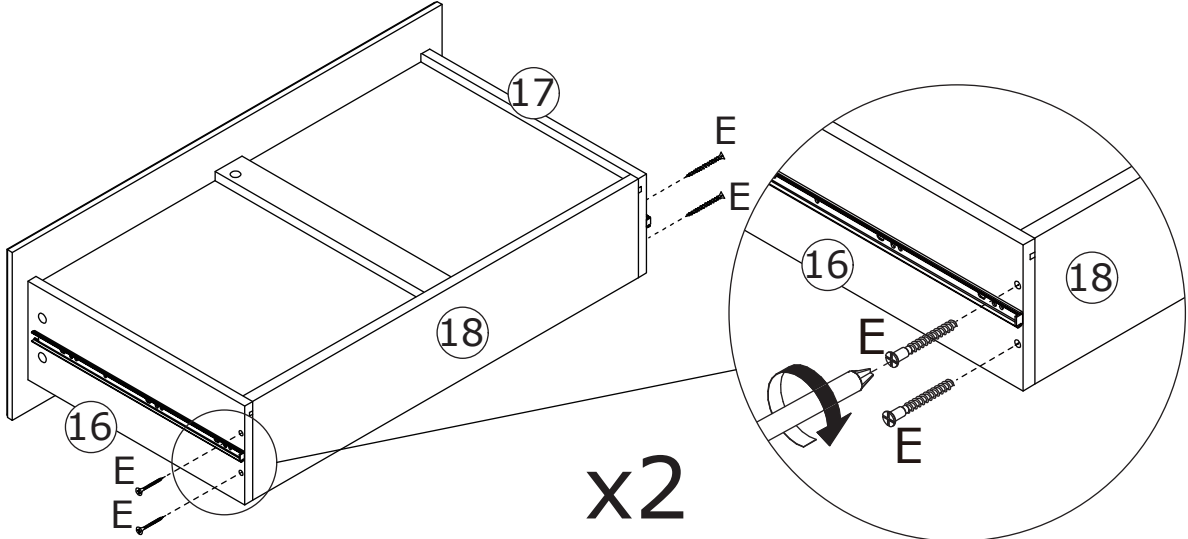


x2

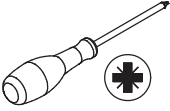
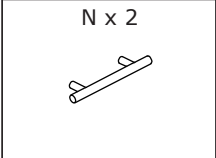
32



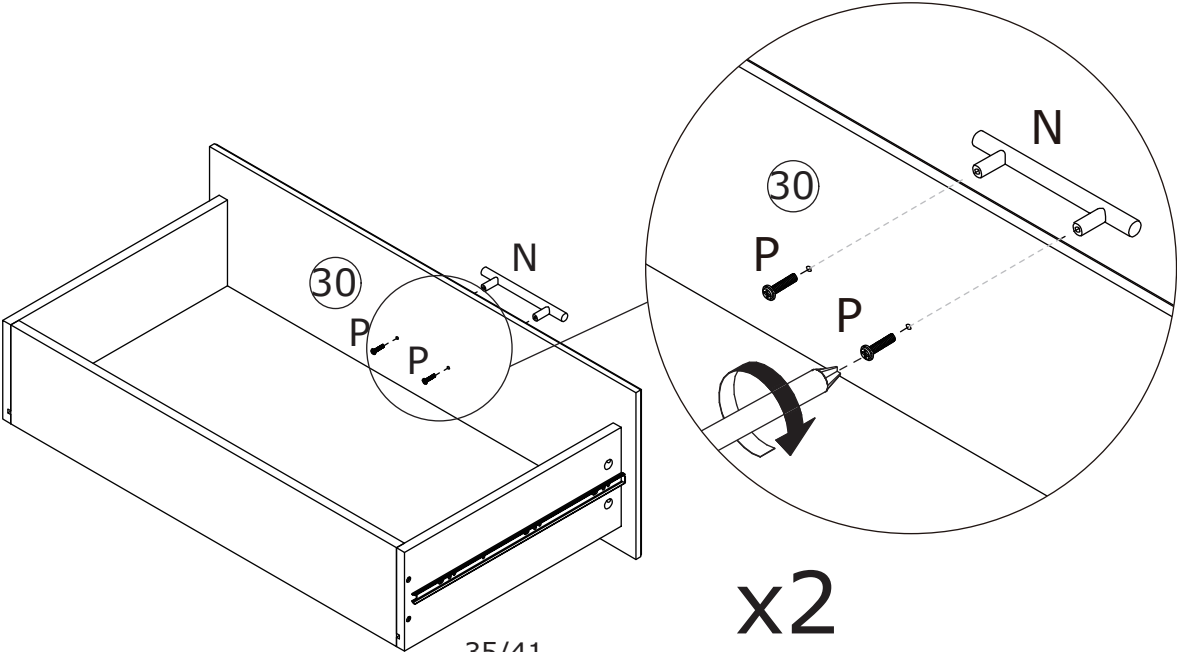
Fix plate 18 to plate 16 and 17 with screw(E) as shown.



33

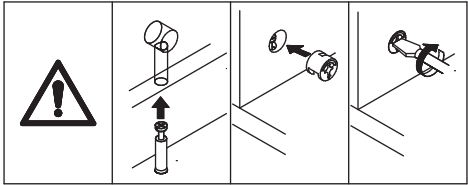
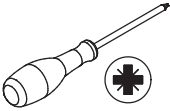


Fix handle(N) to plate 30 using screw(P) as shown.

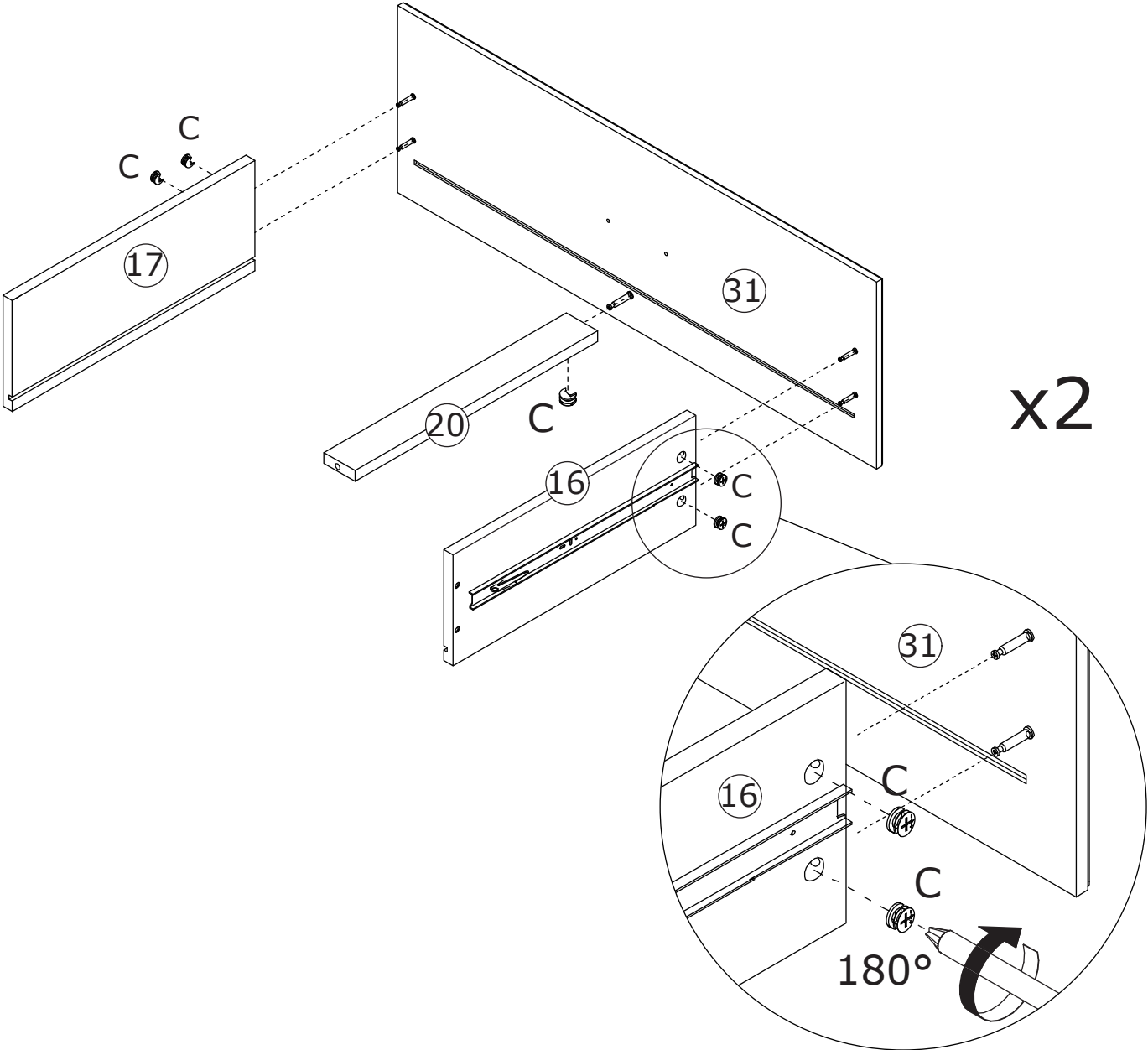


34

C x 10
CRB1595A

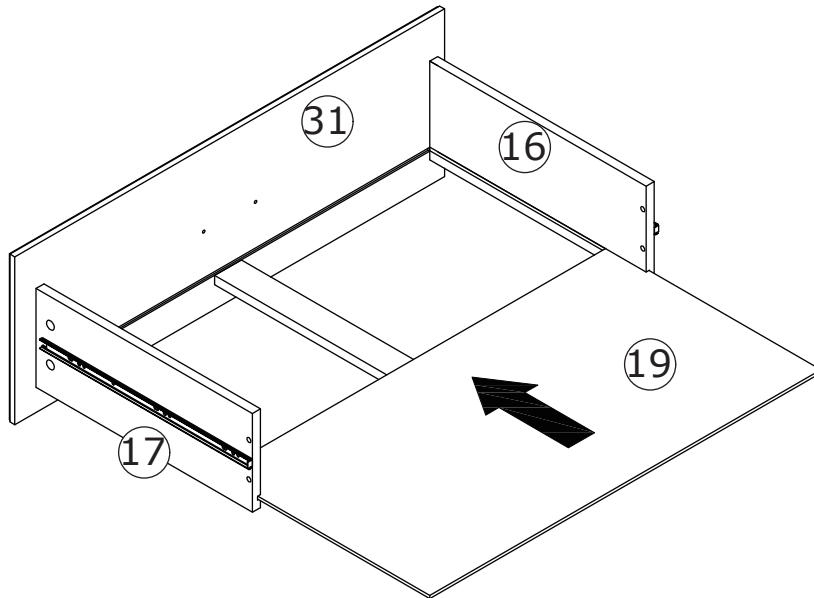


Attach plate 16, 17 and 20 to plate 31, and turn cam lock(C) clockwise to tighten as shown.



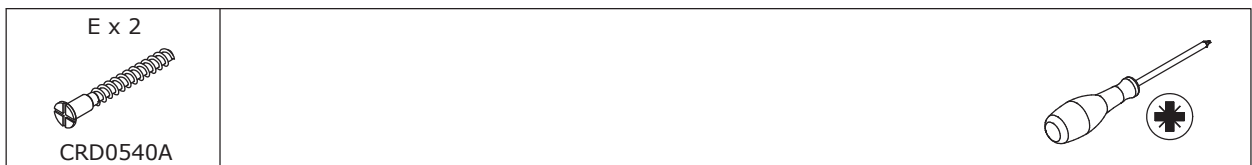
35

Slide plate 19 along grooves as shown.

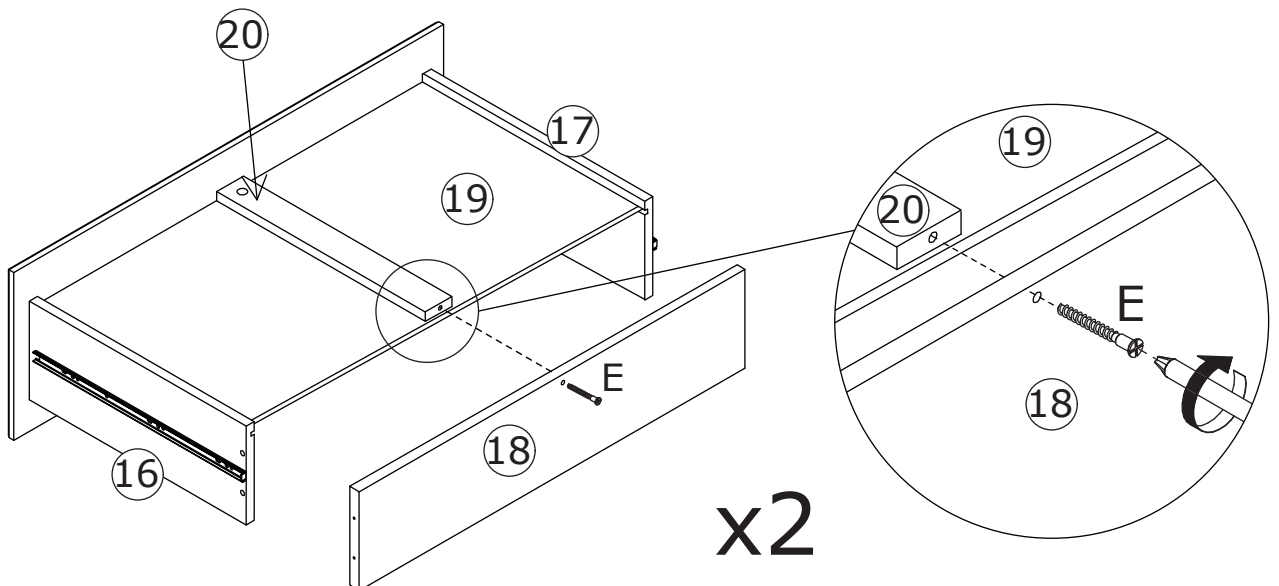


x2

36

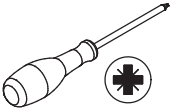


Fix plate 18 to plate 20 with screw(E) as shown.

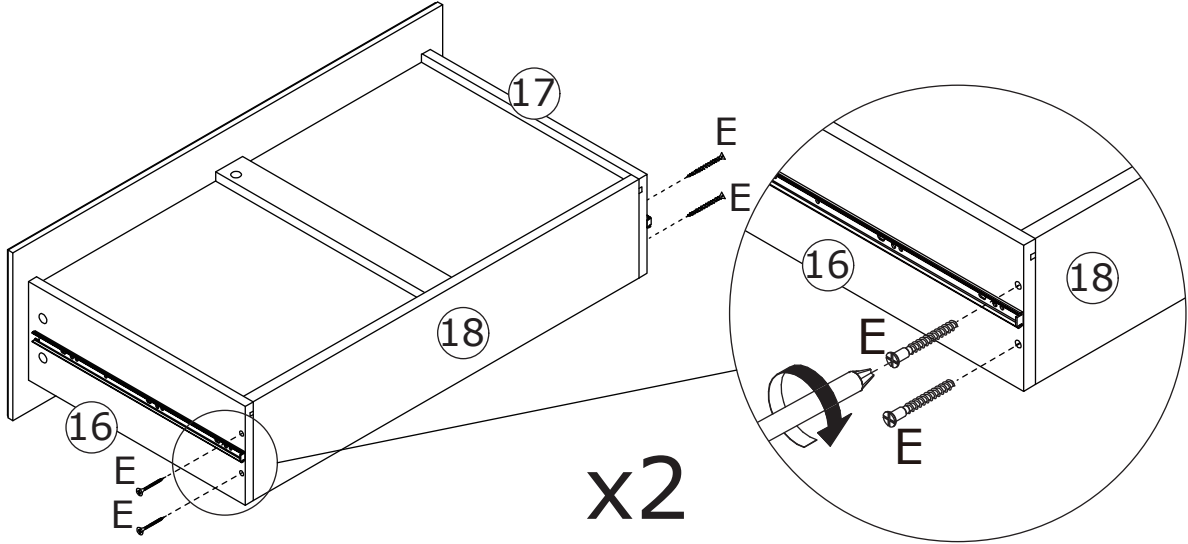


x2

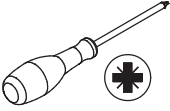
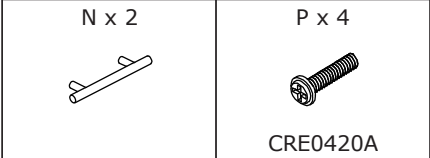
37



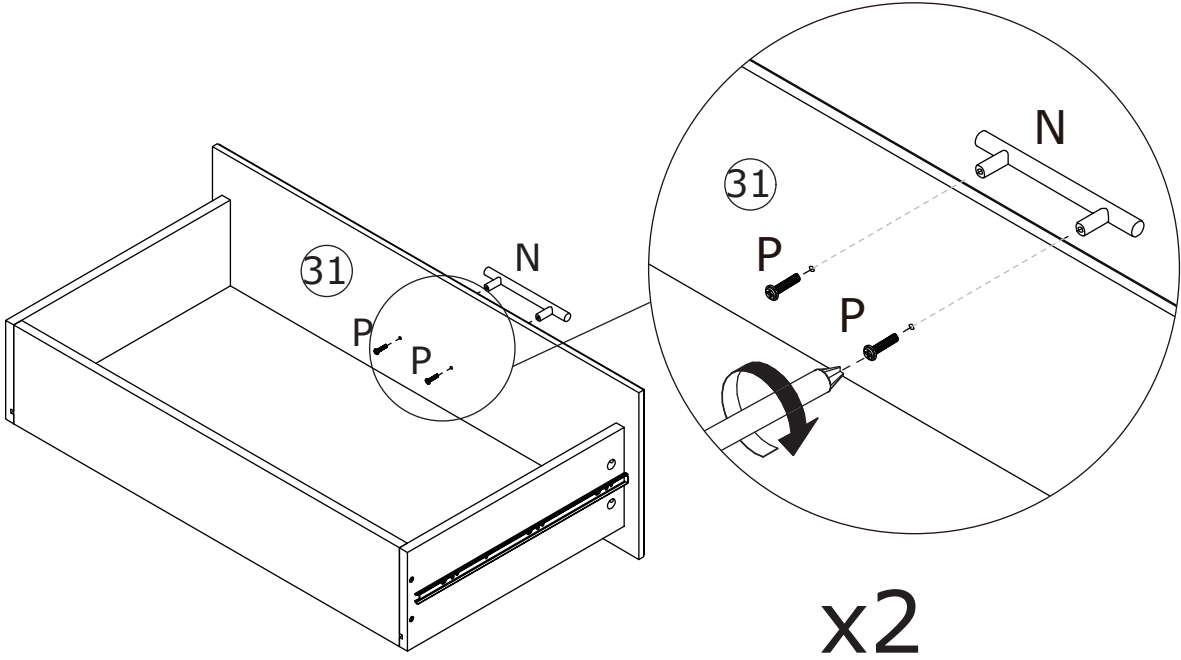
Fix plate 18 to plate 16 and 17 with screw(E) as shown.



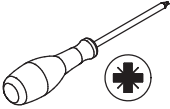
38



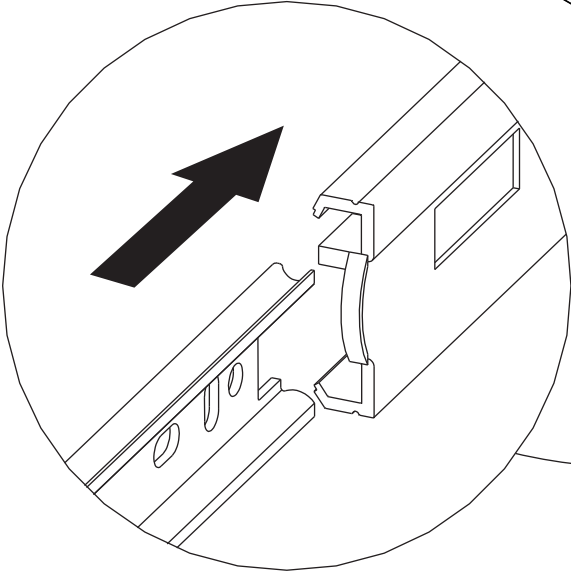
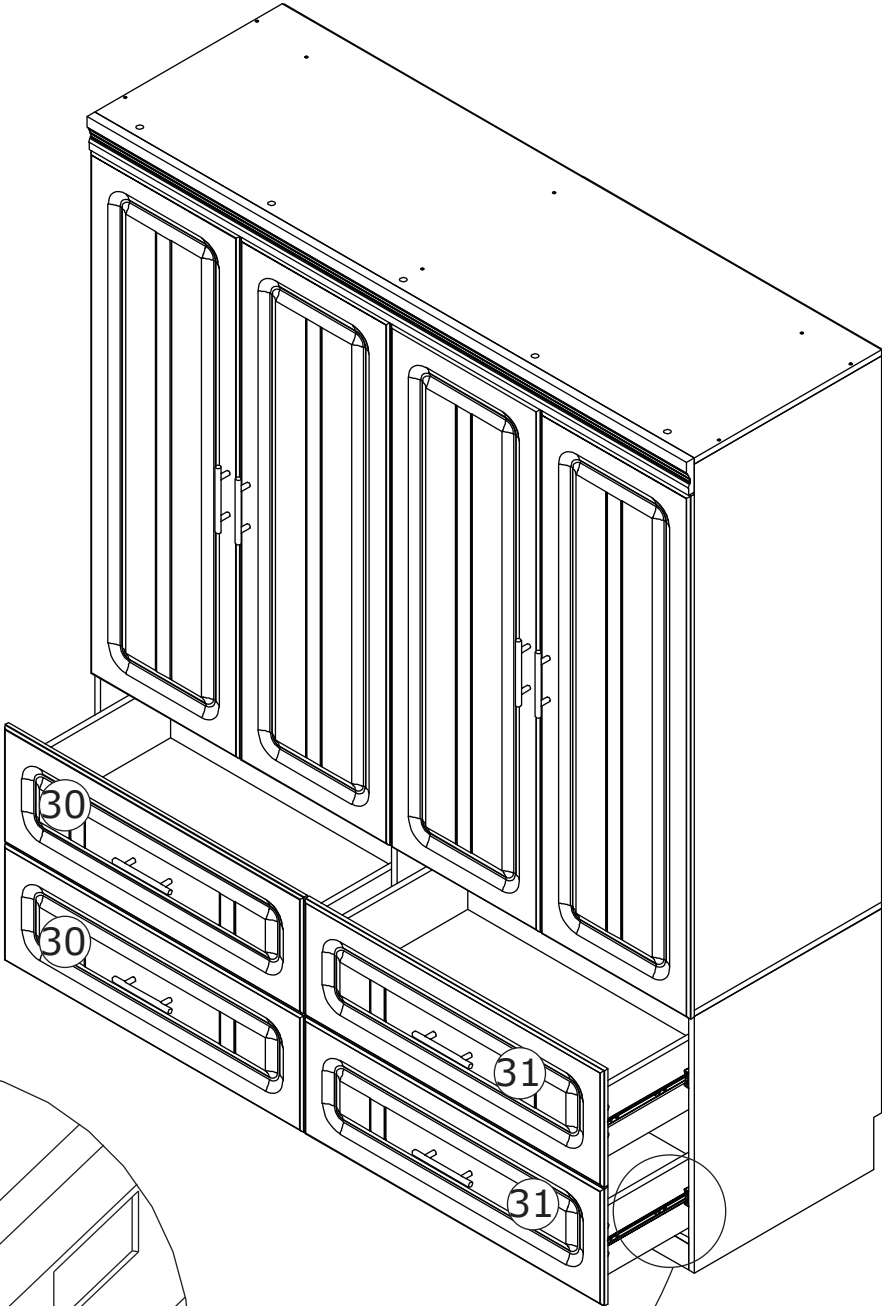
Fix handle(N) to plate 31 using screw(P) as shown.



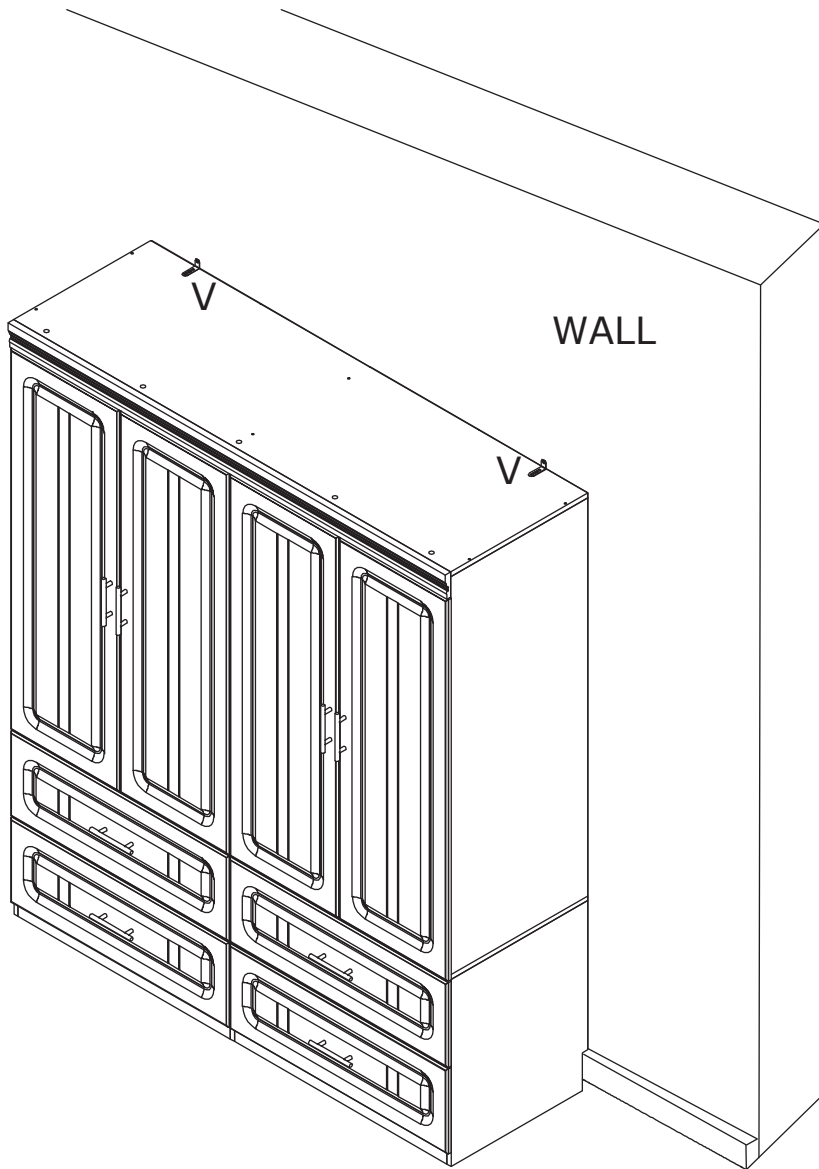
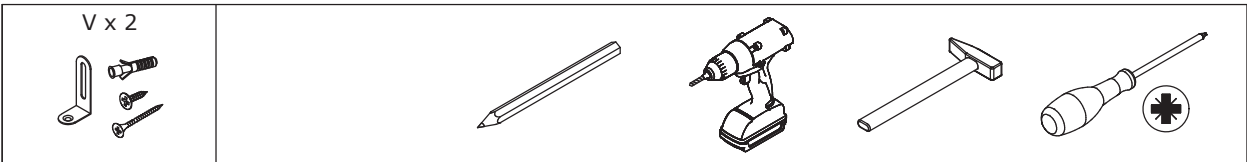
39



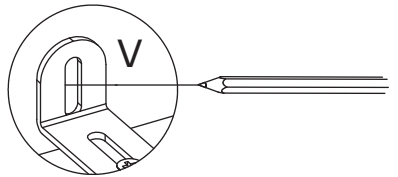
Install anti-tipping device as shown.
Note: Draw panel 30 is on the left,
and draw panel 31 is on the right.



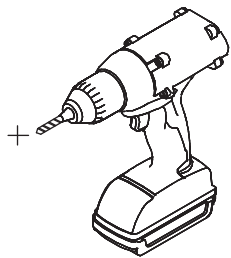
40



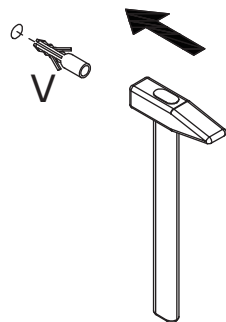
1.



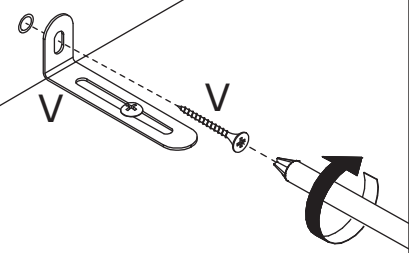
2.



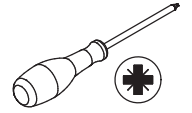
3.



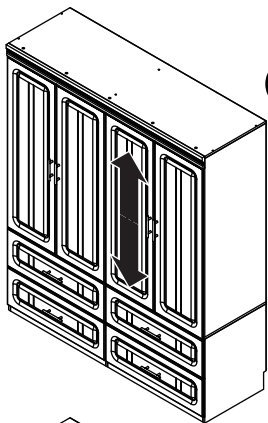
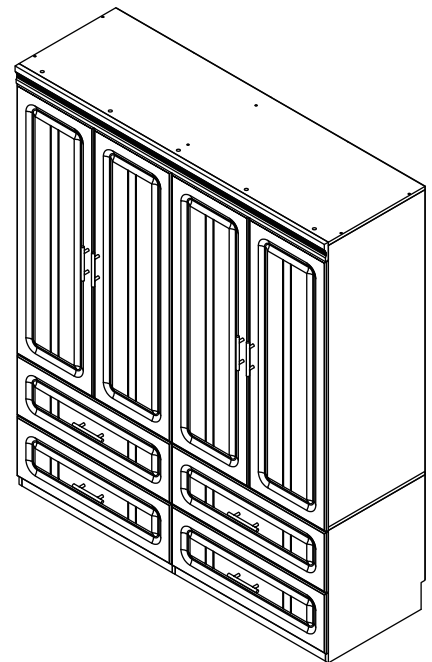
4.



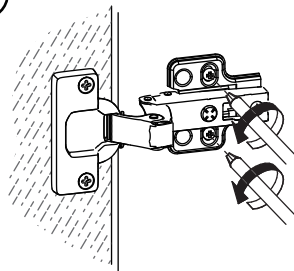
Install anti-tipping device(V) as shown.



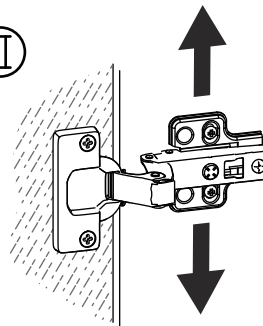
If doors are still not aligned if the hinges are properly correctly, please watch the video.



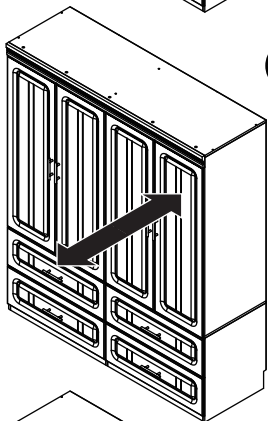
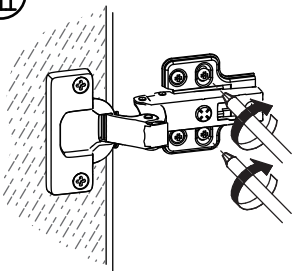
I



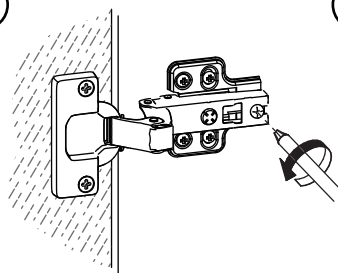
II



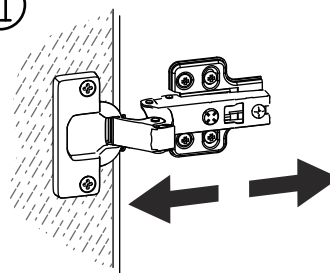
III



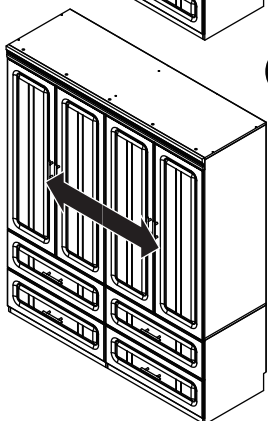
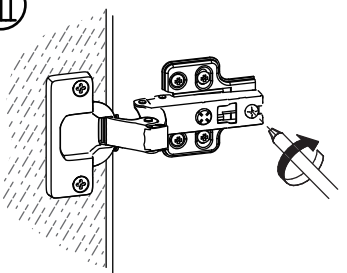
I



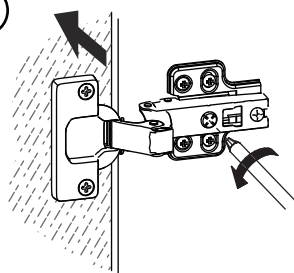
II



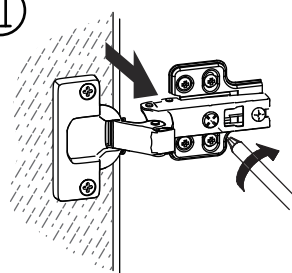
III



I



II



WARRANTY

WARRANTY CLAIMS

- There is a 30-day warranty for broken furniture or any other problems that do not work properly. The warranty will start from the date of purchase which must be verified by proof of purchase.
- Before making a claim, we may be able to answer your query, simply call us. Please leave your purchase order number, along with some details of the problem, if you want a replacement part. We will arrange within 48 hours. If there is out of stock, we will reply with a shipping date.
- The product must be used in accordance with the instructions provided. For health reasons.
- For other reasons, if the furniture needs to be returned, it must be cleaned and dried and operated within 30 days of receipt.

Type of Warranty Claim

- Failure to follow the furniture instructions will invalidate the warranty. Attention please.
- Does not include damage during installation, but includes damage during transportation.

Scope of responsibility

- Shall not bear any responsibility for misuse or user damage and / or loss of parts during the installation of furniture.
- After using, the damage and scratches of the furniture are not covered by the warranty.

The Warranty Relates to All Bought in The Us and Covers The Following Areas

- Sheet parts: 1 month from the date of purchase.
- Electrical parts: 1 month from the date of purchase.

RETURNS

CHANGED YOUR MIND AND NEED TO RETURN YOU ITEM?

PLEASE FOLLOW THE BELOW INSTRUCTIONS:

- If you have purchased and have simply changed your mind, follow the retailer's instructions for returns.

DEFECTIVE ITEMS

- If your item is defective in any way, i.e. it doesn't work but you can't identify why, in the first instance, please call us.

DAMAGED ITEMS

- If you receive an order with obvious shipping damage from the retailer, then we suggest the delivery is refused. If the delivery has been accepted and then shipping damage is found, please follow the specific instructions advised by the retailer.
In all circumstances please save all packaging material and paperwork for the order. Please be aware that if you dispose of packaging material or attempt to return the merchandise without contacting the fulfiller, you jeopardise your chances of making a claim, and you may not receive a credit for the return.