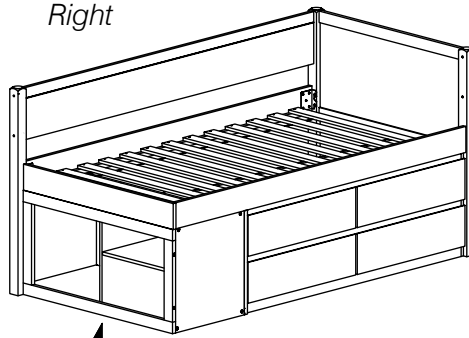
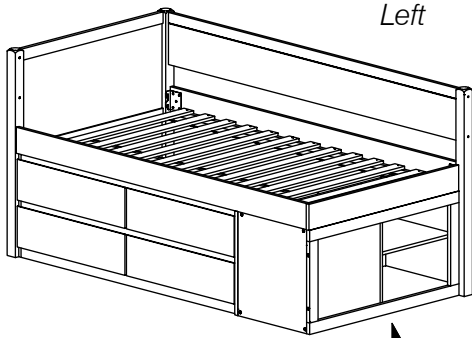
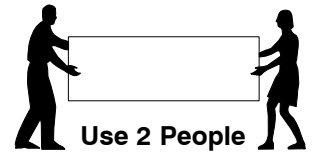


Twin Captain's Bed

Assembly Instructions



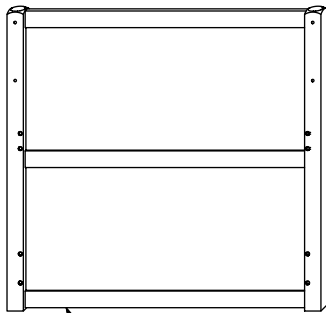
Storage can be assembled
on the left or on the right.



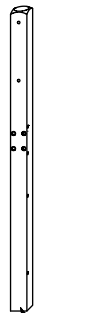
Note: Do not assemble
using power tools.
This can cause the bolts
to be overtightened

1 Parts List

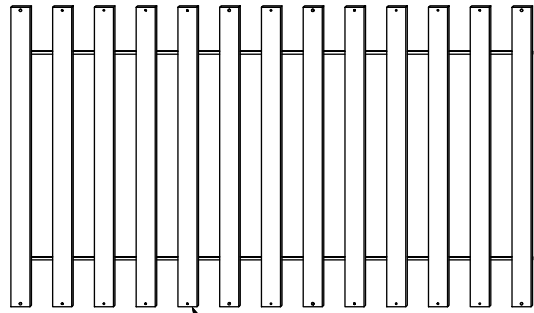
Parts in Box A:



A
Headboard Panel x 1

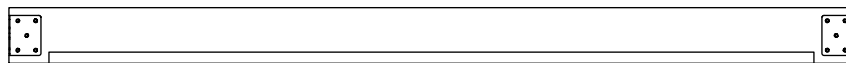


B
Headboard Post x 1

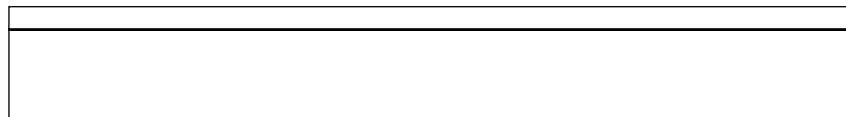


C
Set of Bed Slats x 1

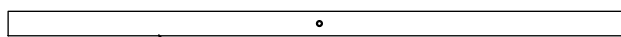
Parts in Box B:



D Side Rail x 2



E Back Panel x 1



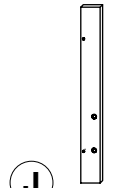
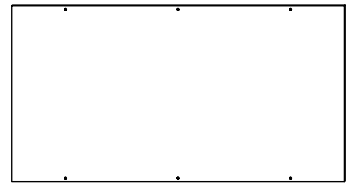
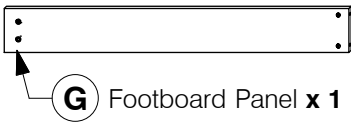
F Lower Drawer- Support Bar x 5

Twin Captain's Bed

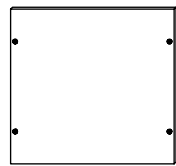
Assembly Instructions

1 Part List

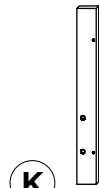
Parts in Box C:



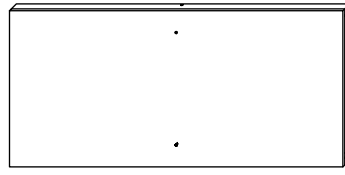
Lower Storage-Support Bar (Left Hand) x 1



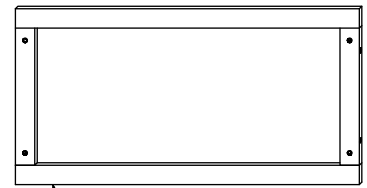
Lower Storage-Shelf x 1



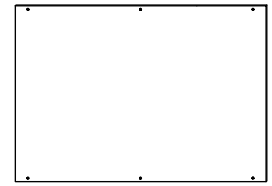
Lower Storage-Support Bar (Right Hand) x 1



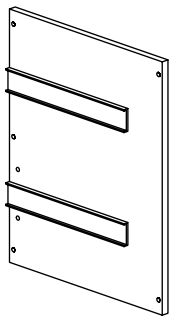
Lower Storage-Lower Panel x 1



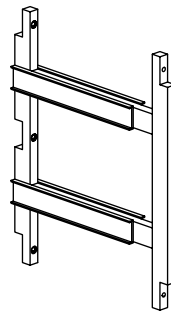
Lower Storage-Front Frame x 1



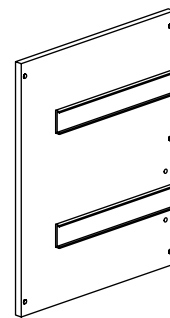
Lower Drawer-Back Panel x 2



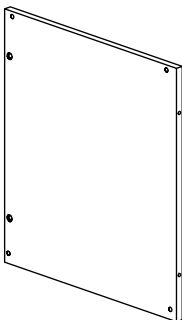
Lower Drawer-Side Panel (Left Hand) x 1



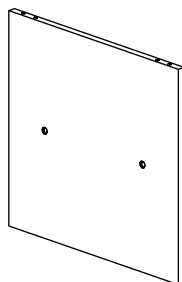
Lower Drawer-Center Panel x 1



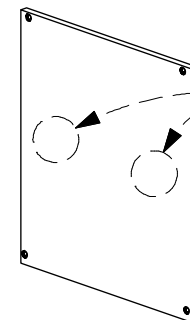
Lower Drawer-Side Panel (Right Hand) x 1



Lower Storage-Side Panel (Left Hand) x 1



Lower Storage-Center Panel x 1



Lower Storage-Side Panel (Right Hand) x 1

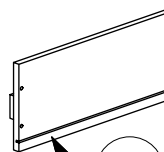
Extra holes (shown inside)



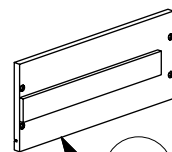
Drawer Face x 4



Drawer Bottom x 4



Drawer Side Panel (Left Hand) x 4



Drawer Side Panel (Right Hand) x 4



Drawer Back x 4



Drawer Rail x 4

Twin Captain's Bed

Assembly Instructions

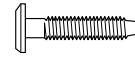
2 Hardware List



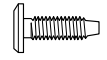
1 M6 x 90mm JCB
x 8



2 M6 x 40mm JCB
x 8



3 M6 x 30mm JCB
x 27



4 M6 x 20mm JCB
x 8



5 M6 x 15mm JCB
x 16



6 Wood Dowel
(6 x 25mm) x 16



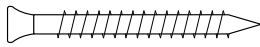
7 Barrel Nut
x 6



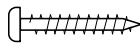
8 Flat Washer
x 8



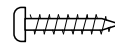
9 Spring Washer x 8



10 CSK Cap Wood Screw
(M6 x 50mm) x 8



11 Wood Screw
(M4 x 32mm) x 18



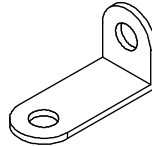
12 Wood Screw
(M4 x 25mm) x 40



13 Wood Screw
(M4 x 16mm) x 22



14 'L' Bracket (5005-3) x 8

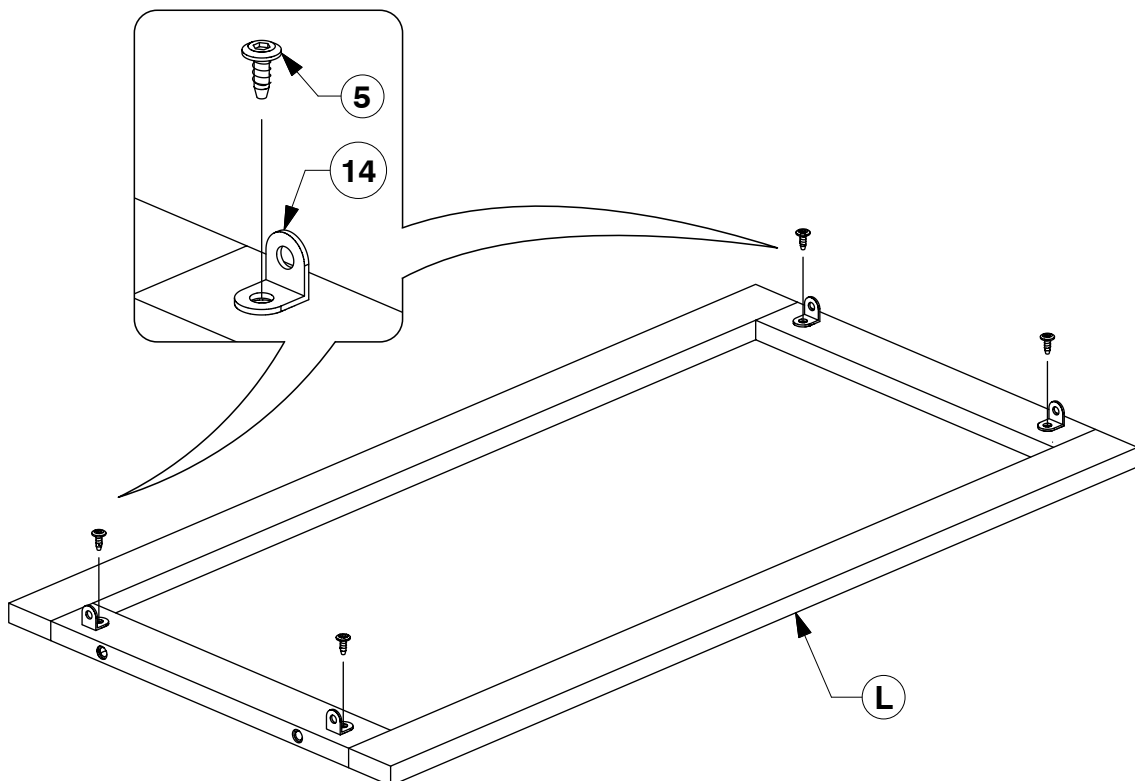


15 'L' Bracket (5003) x 2



16 Allen Key x 1

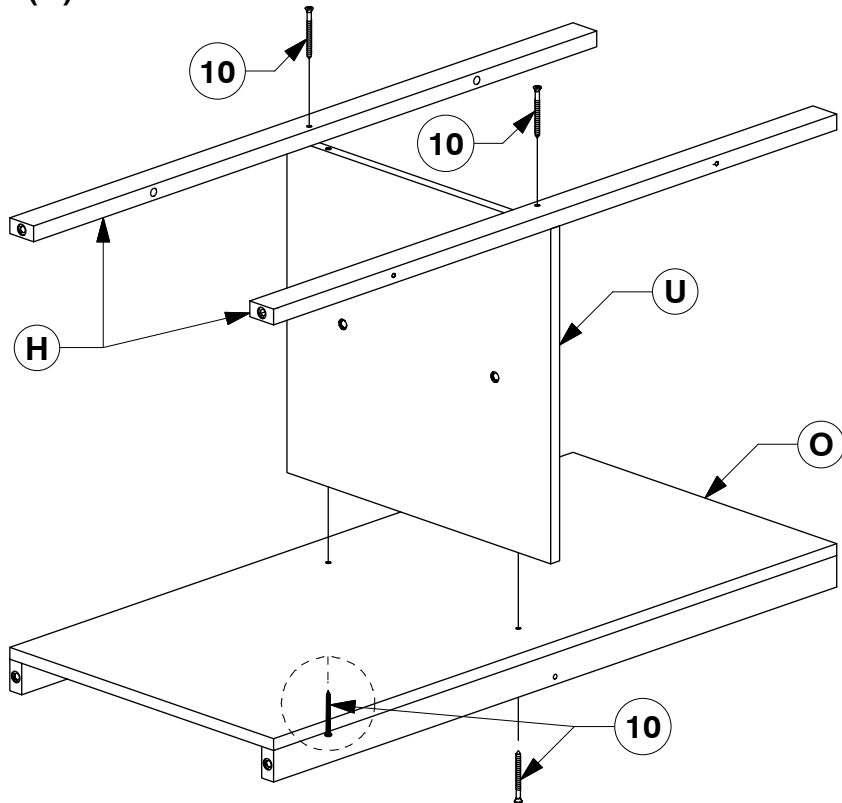
3 Fit the 'L' Bracket (14) to the Lower Storage- Front Frame (L).



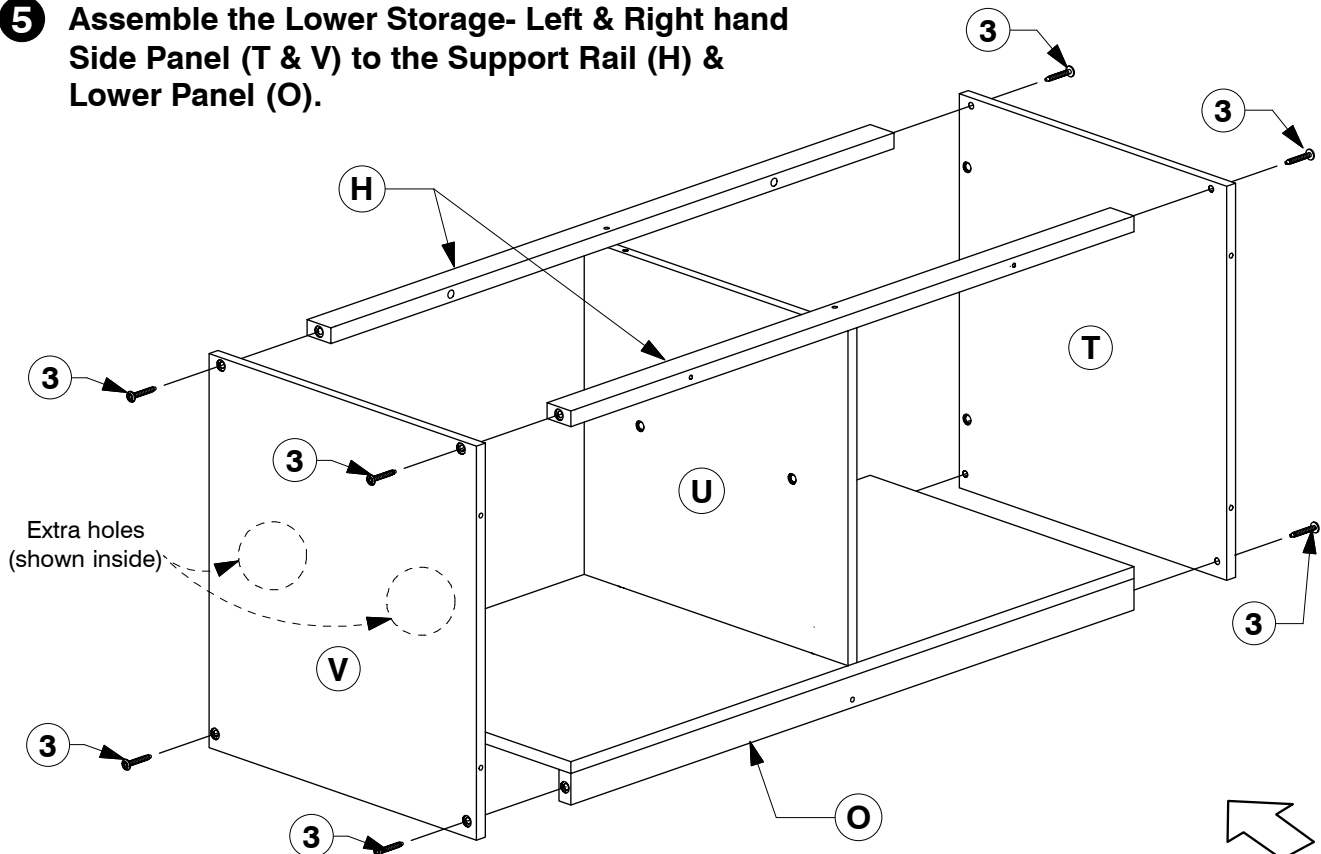
Twin Captain's Bed

Assembly Instructions

- 4** Attach the Lower Storage- Support Bar (H) & Lower Panel (O) to the Center Panel (U).



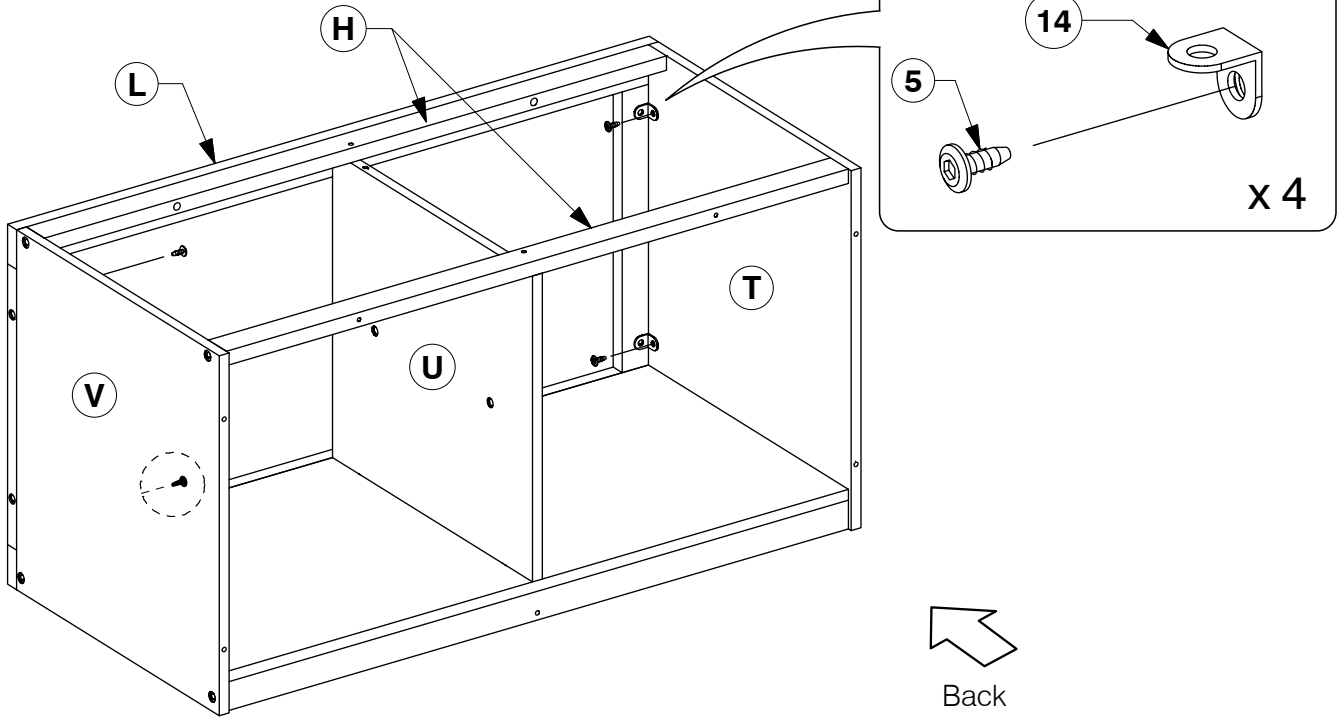
- 5** Assemble the Lower Storage- Left & Right hand Side Panel (T & V) to the Support Rail (H) & Lower Panel (O).



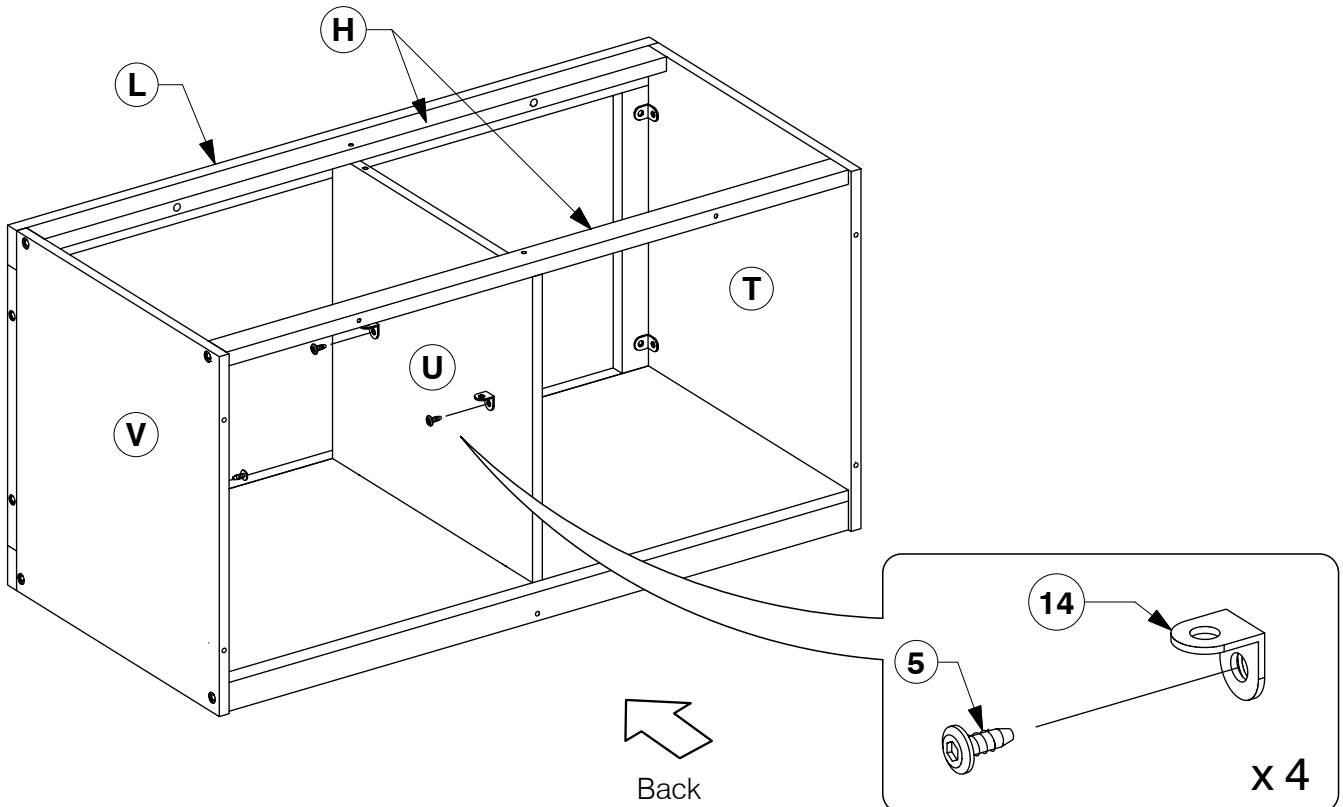
Twin Captain's Bed

Assembly Instructions

- 6** Attach the Lower Storage- Support Rail (H) & Front Frame (L). Lastly, tighten Left & Right hand Side Panel (T & V) with using 15mm JCBs (5).



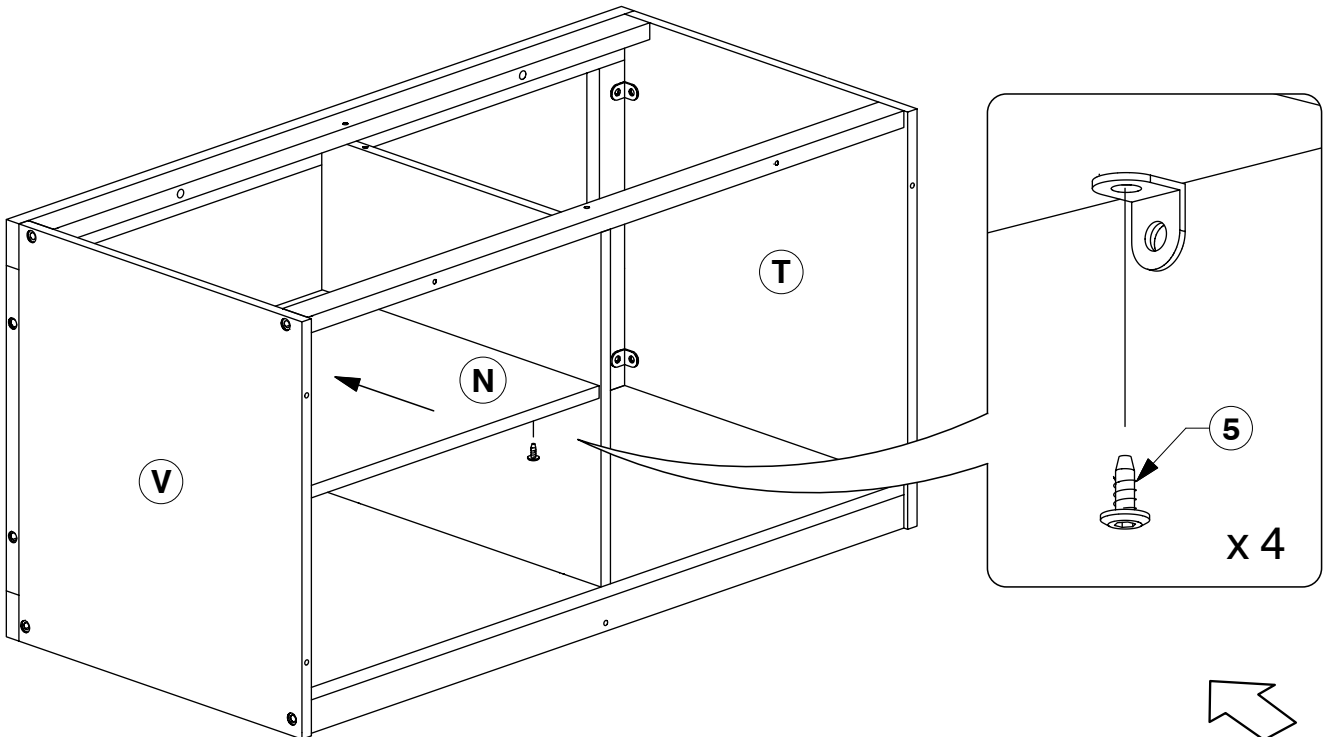
- 7** Fit the 'L' Bracket (14) to the Lower Storage- Right hand Side Panel (V) & Center Panel (U).



Twin Captain's Bed

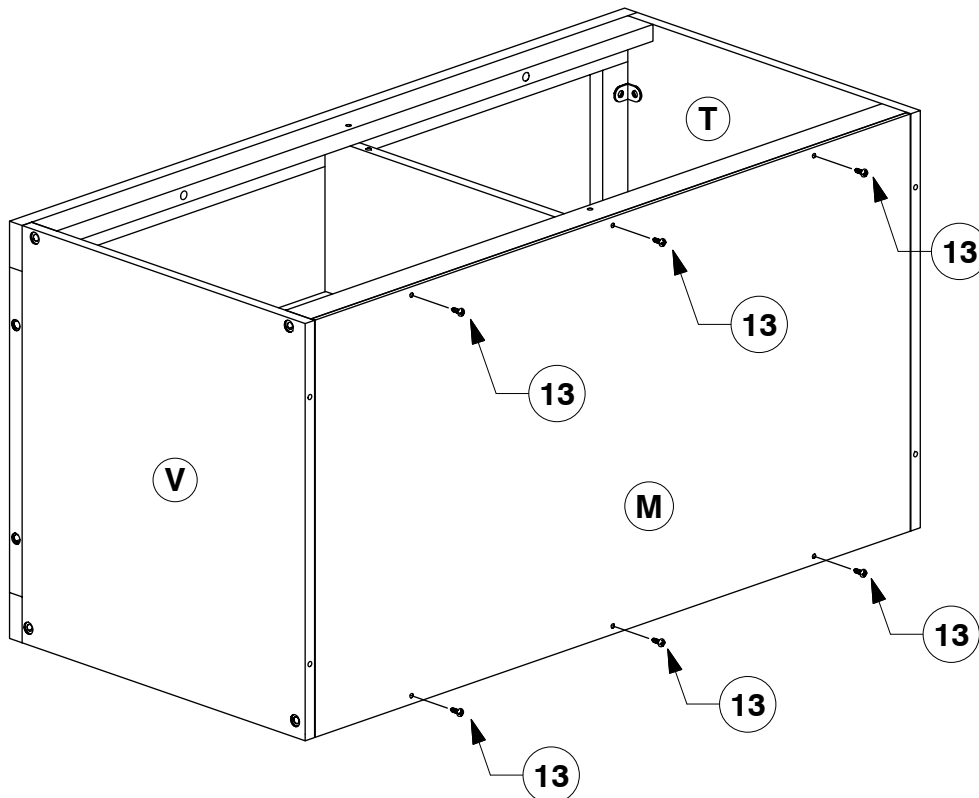
Assembly Instructions

- 8** Slide in the Lower Storage- Shelf (N) inside the frame. Tighten the Lower Storage- Shelf (N) with bolts.



Back

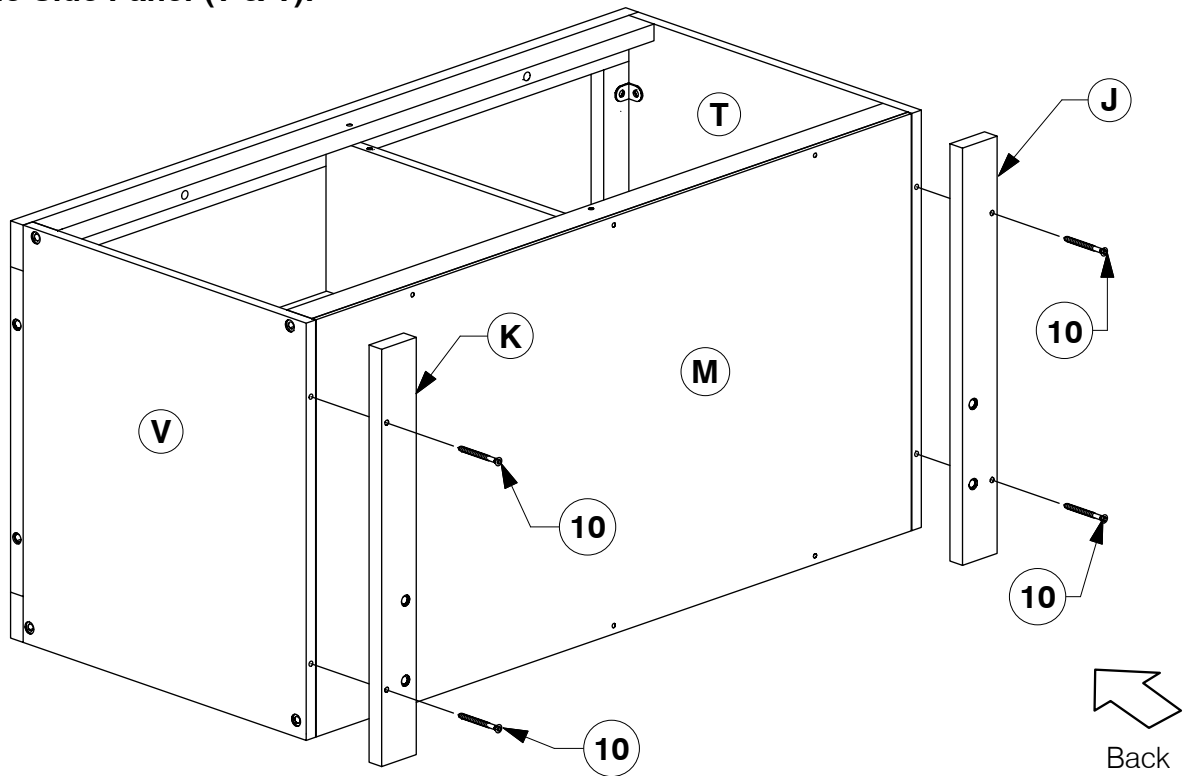
- 9** Fit the Lower Storage- Back Panel (M).



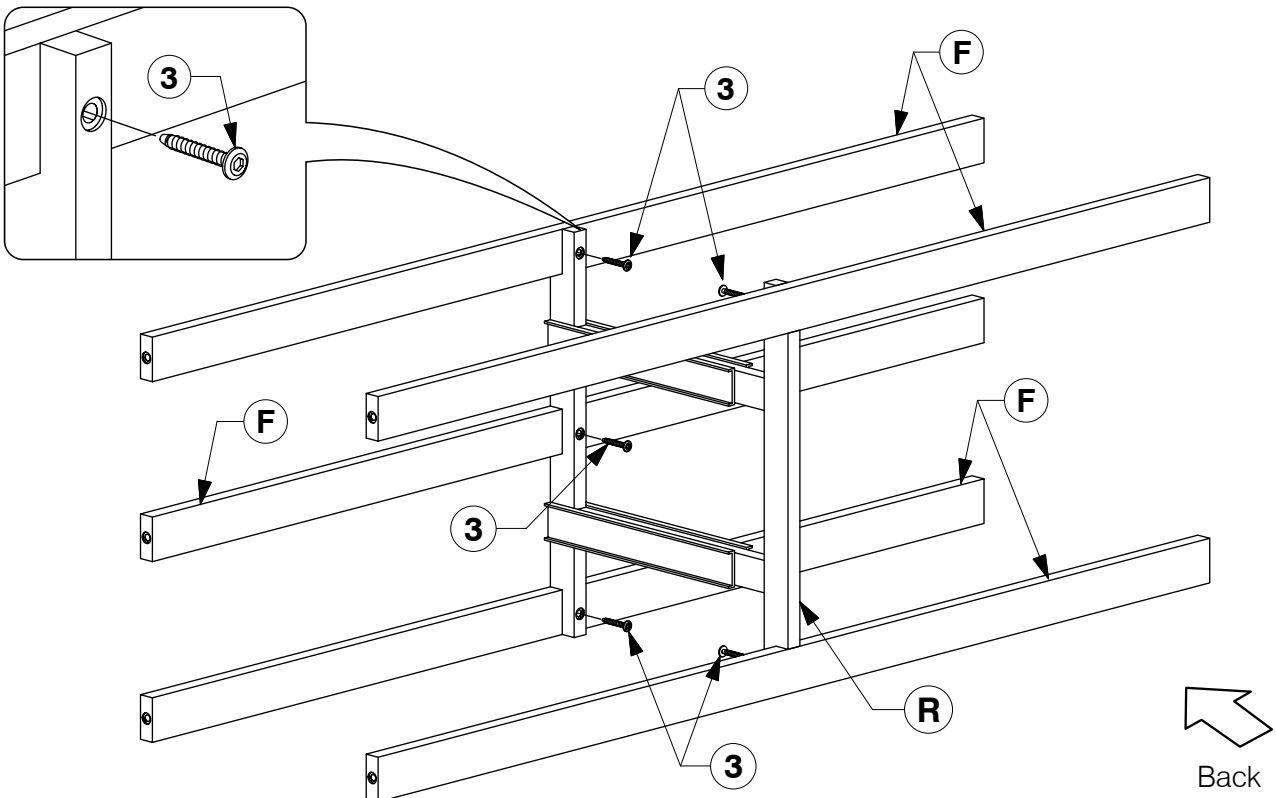
Twin Captain's Bed

Assembly Instructions

- 10** Attach the Left & Right hand Lower Storage- Support Bar (J & K) to the Side Panel (T & V).



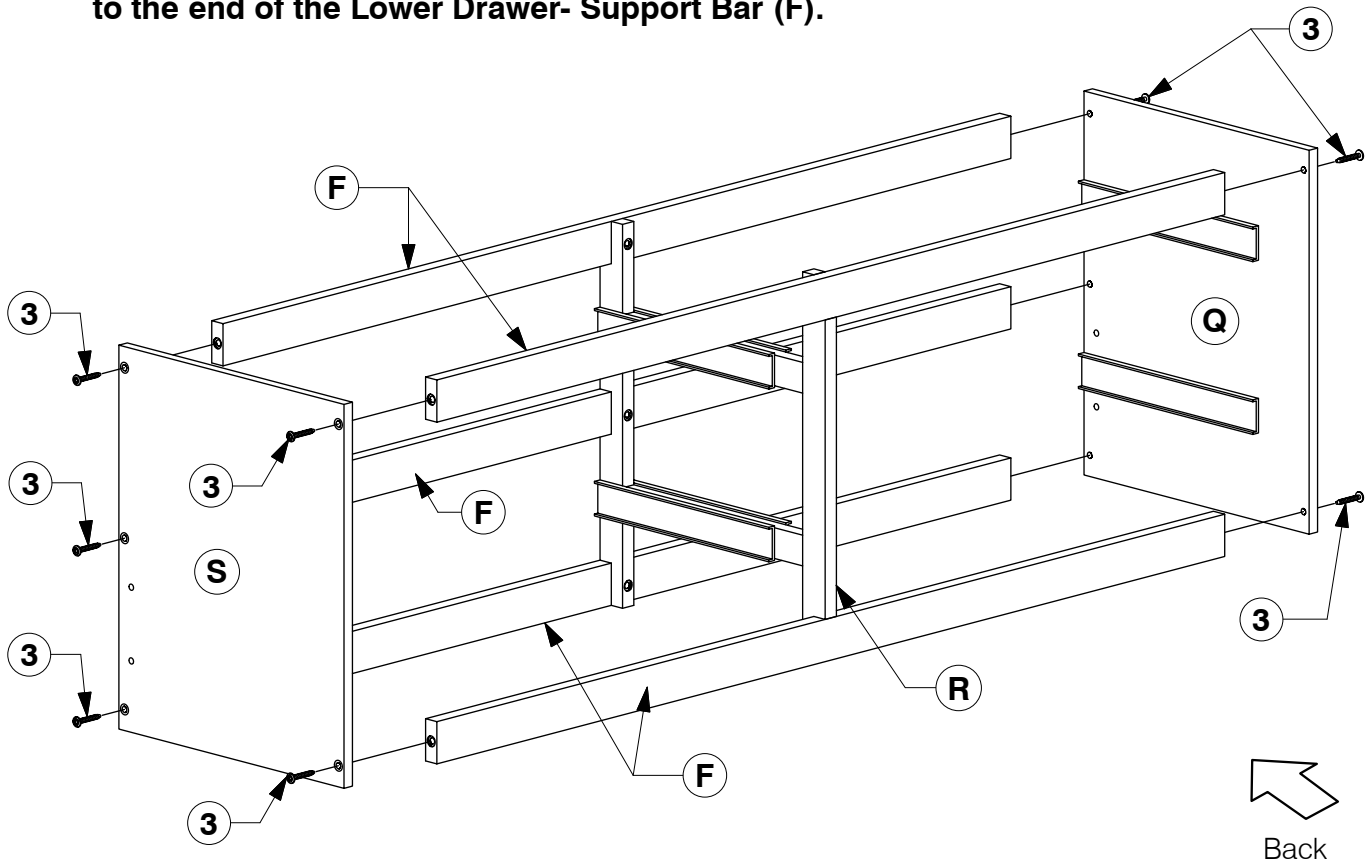
- 11** Assemble the Lower Drawer- Support Bar (F) to the Lower Drawer- Center Panel (R).



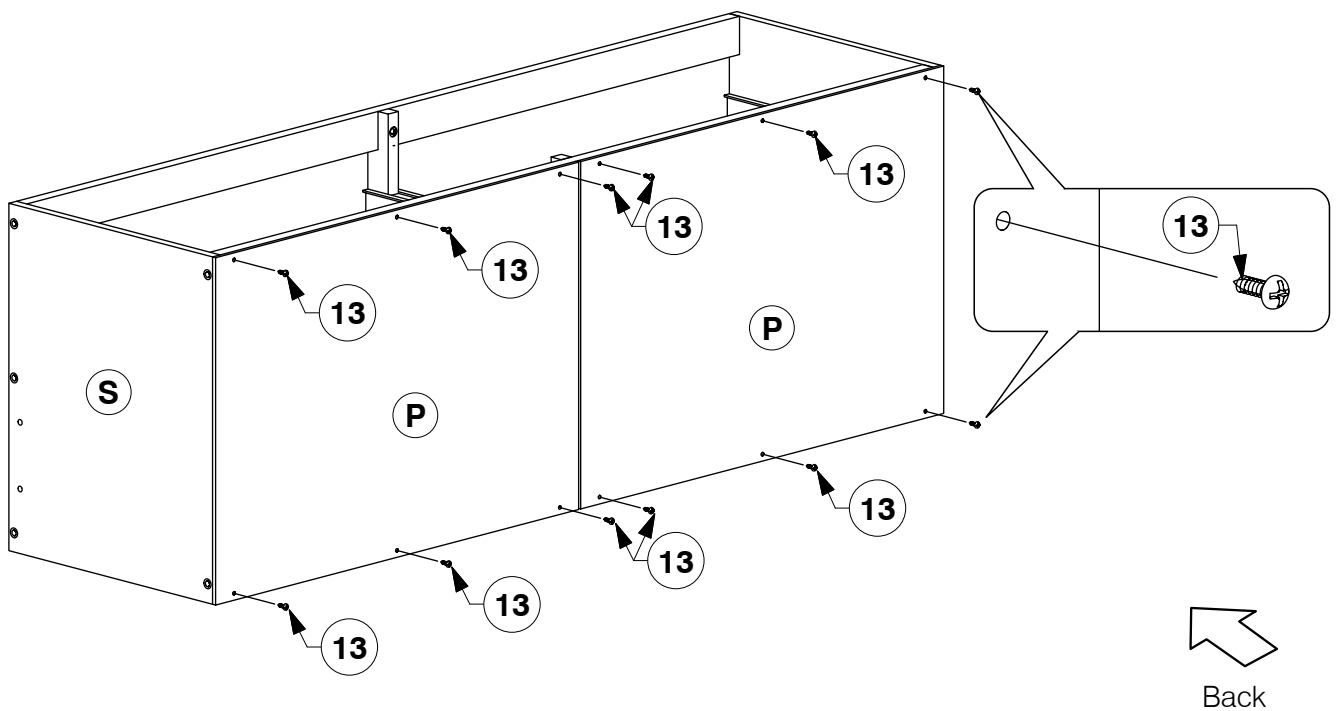
Twin Captain's Bed

Assembly Instructions

- 12** Assemble the Left & Right hand Lower Drawer- Side Panel (Q & S) to the end of the Lower Drawer- Support Bar (F).



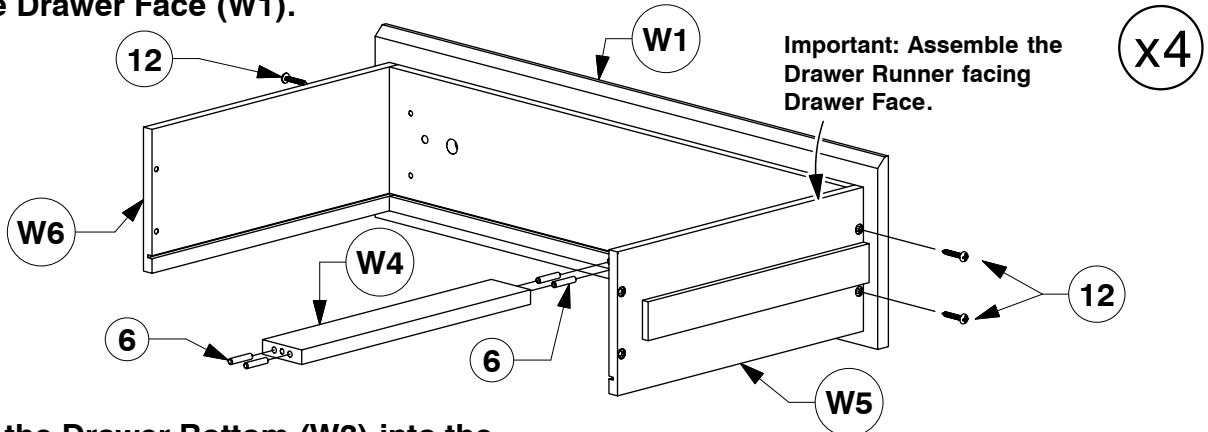
- 13** Fit the Lower Drawer- Back Panel (P) in place.



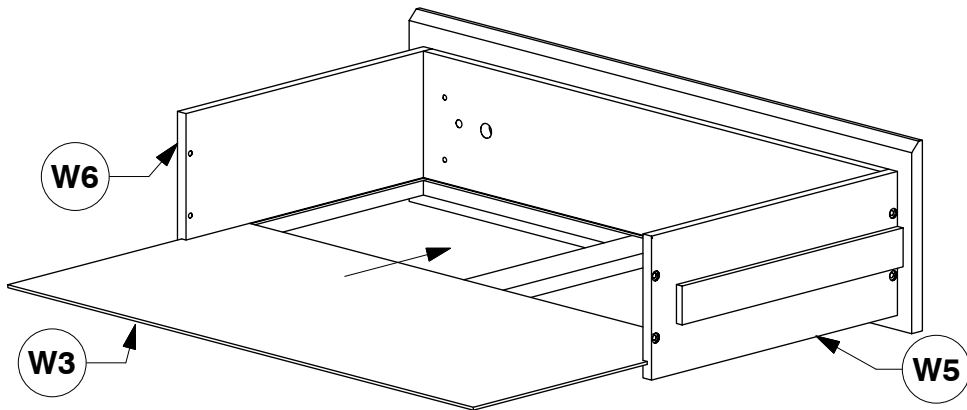
Twin Captain's Bed

Assembly Instructions

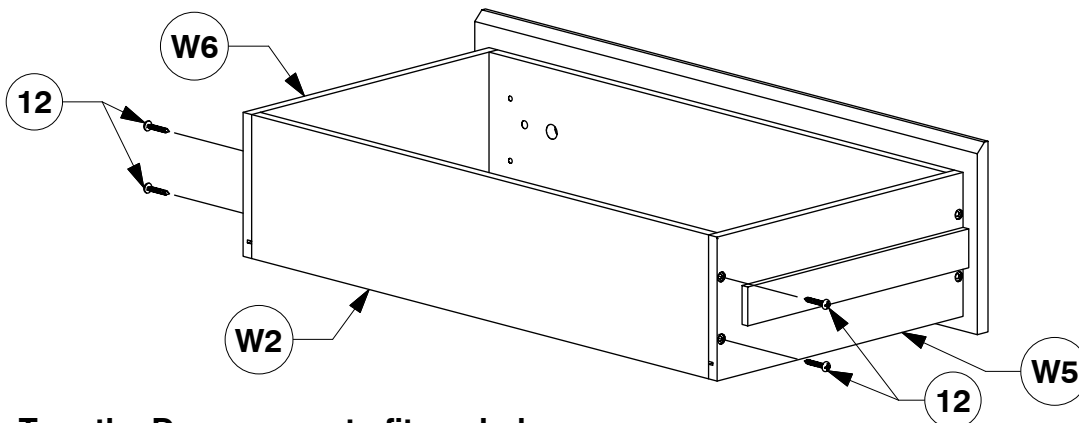
- 14** Assemble the Left and Right hand Drawer Sides (W5 & W6) and Drawer Rail (W4) to the Drawer Face (W1).



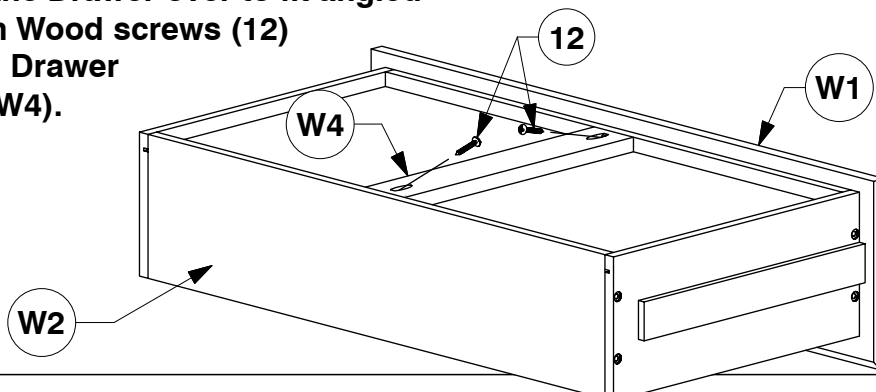
- 15** Slide the Drawer Bottom (W3) into the groove on the Drawer Sides (W5 & W6).



- 16** Assemble the Drawer Back (W2) to the Drawer Sides (W5 & W6).



- 17** Turn the Drawer over to fit angled 25mm Wood screws (12) to the Drawer Rail (W4).



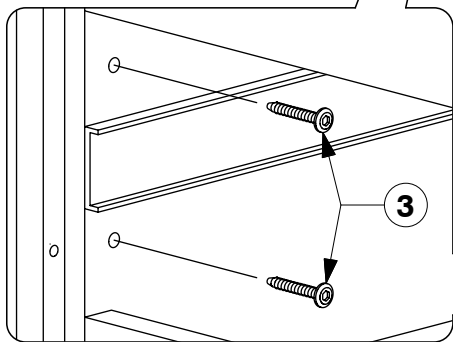
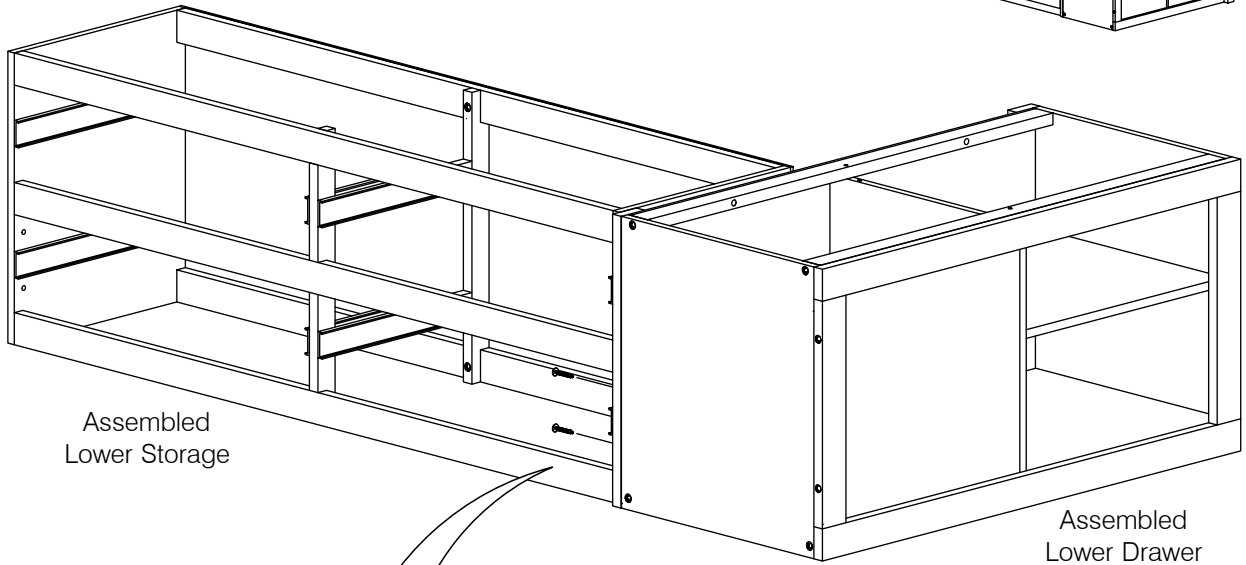
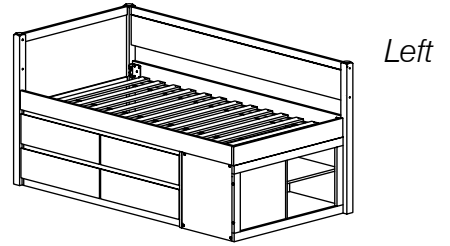
Twin Captain's Bed

Assembly Instructions

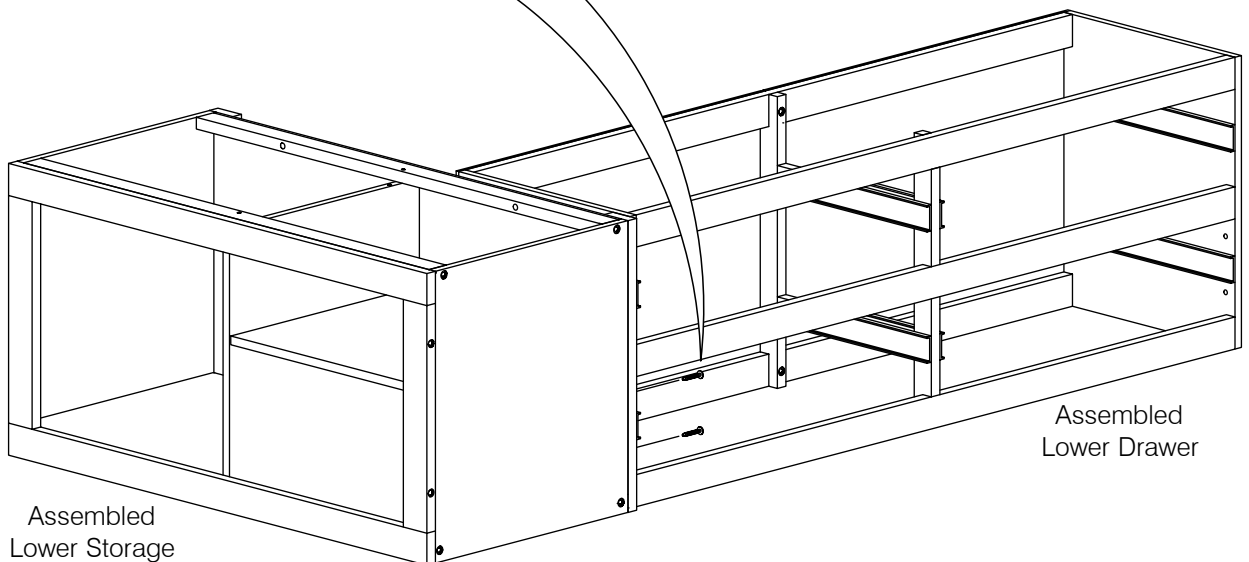
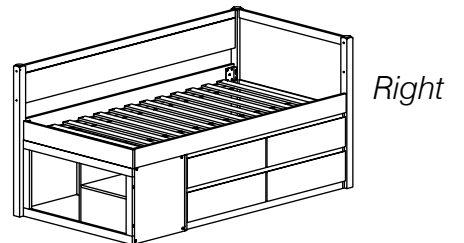
18 Storage can be assembled on the left or on the right.

Assemble the assembled Lower Storage and assembled Lower Drawer together.

On the Left



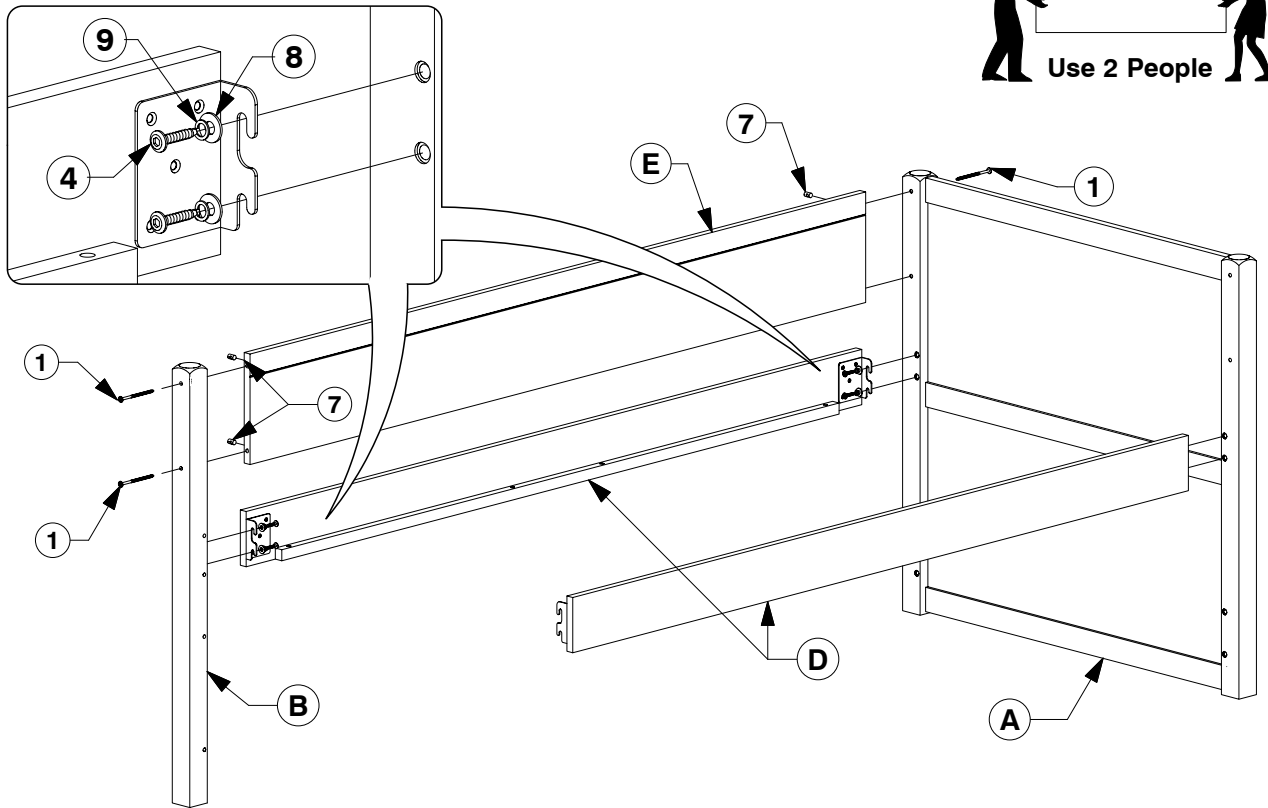
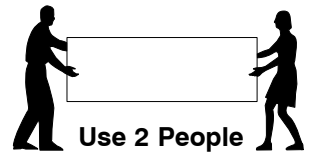
On the Right



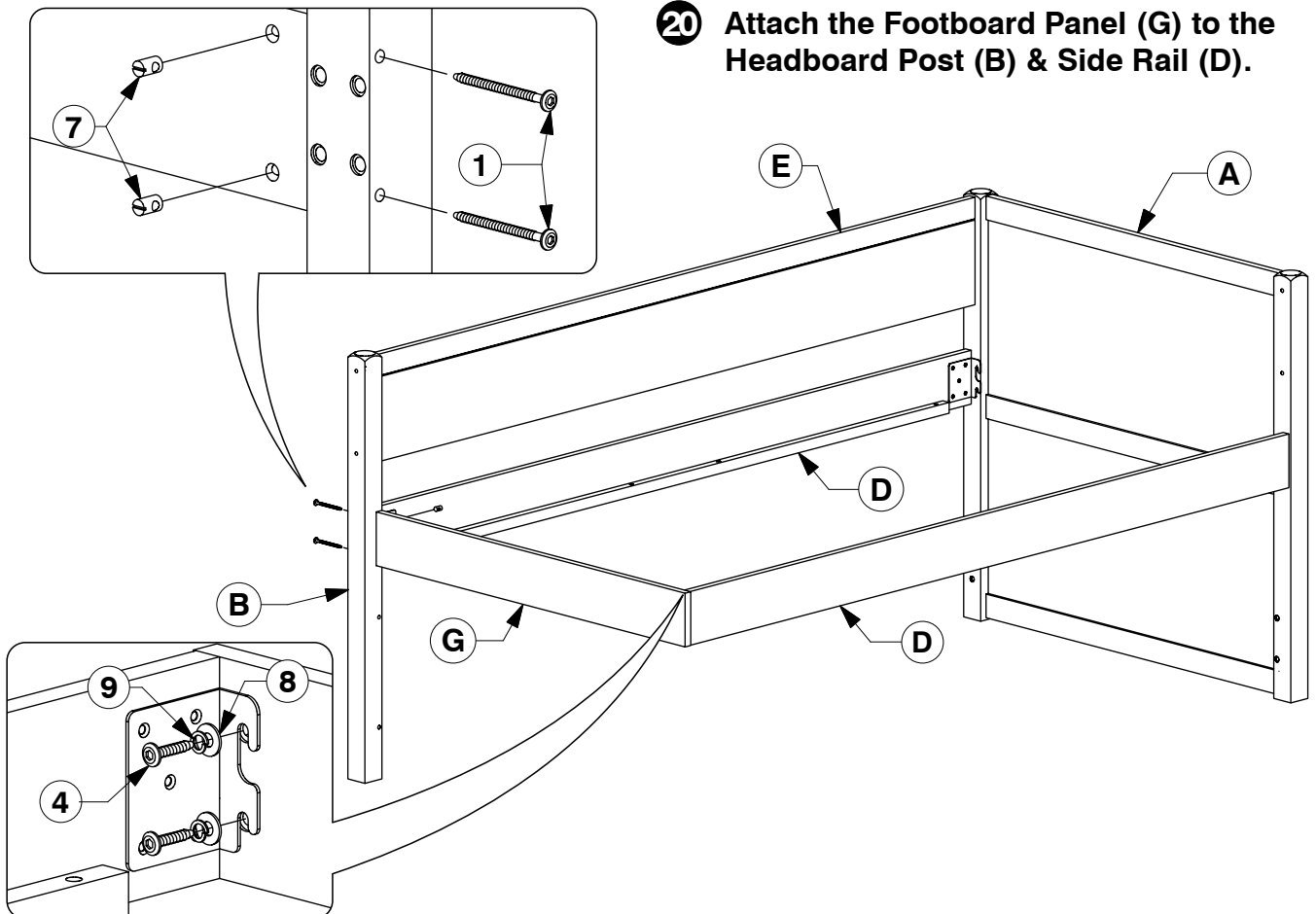
Twin Captain's Bed

Assembly Instructions

- 19** Assemble the Side Rail (D) & Back Panel (E) to the Headboard Panel (A) & Headboard Post (B).



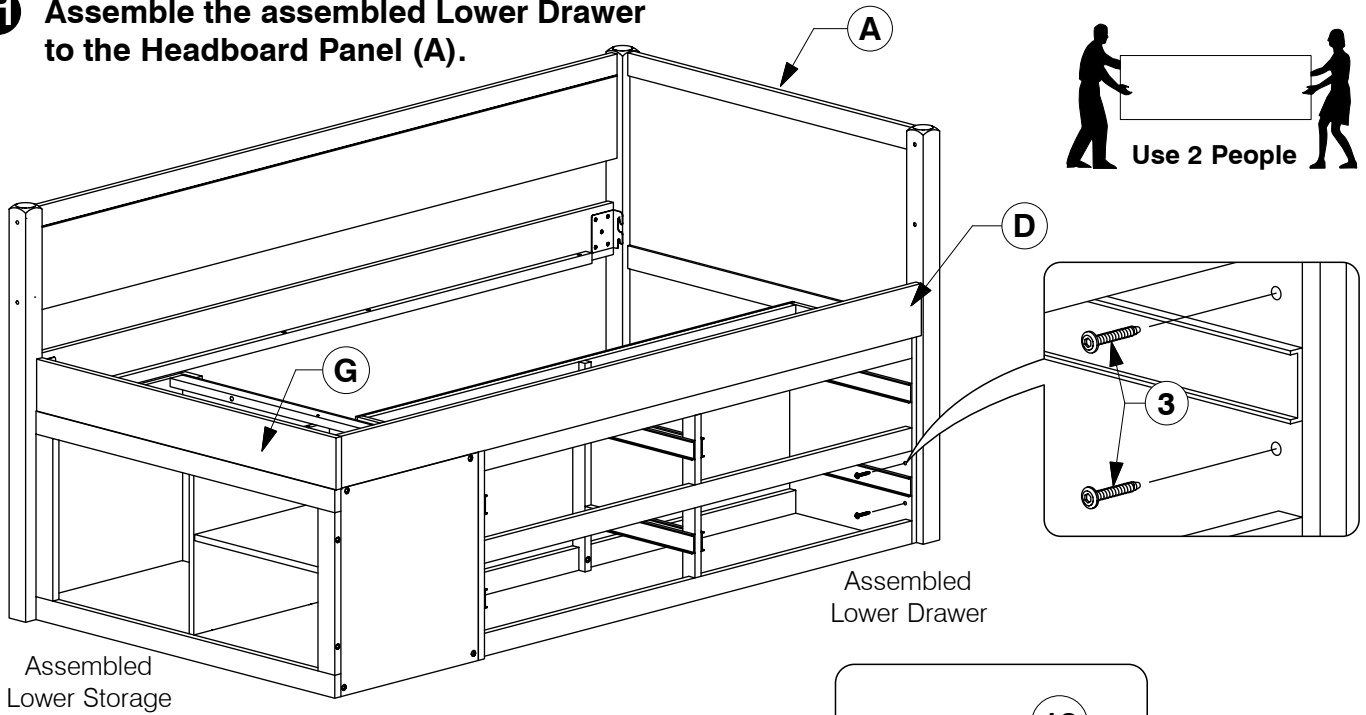
- 20** Attach the Footboard Panel (G) to the Headboard Post (B) & Side Rail (D).



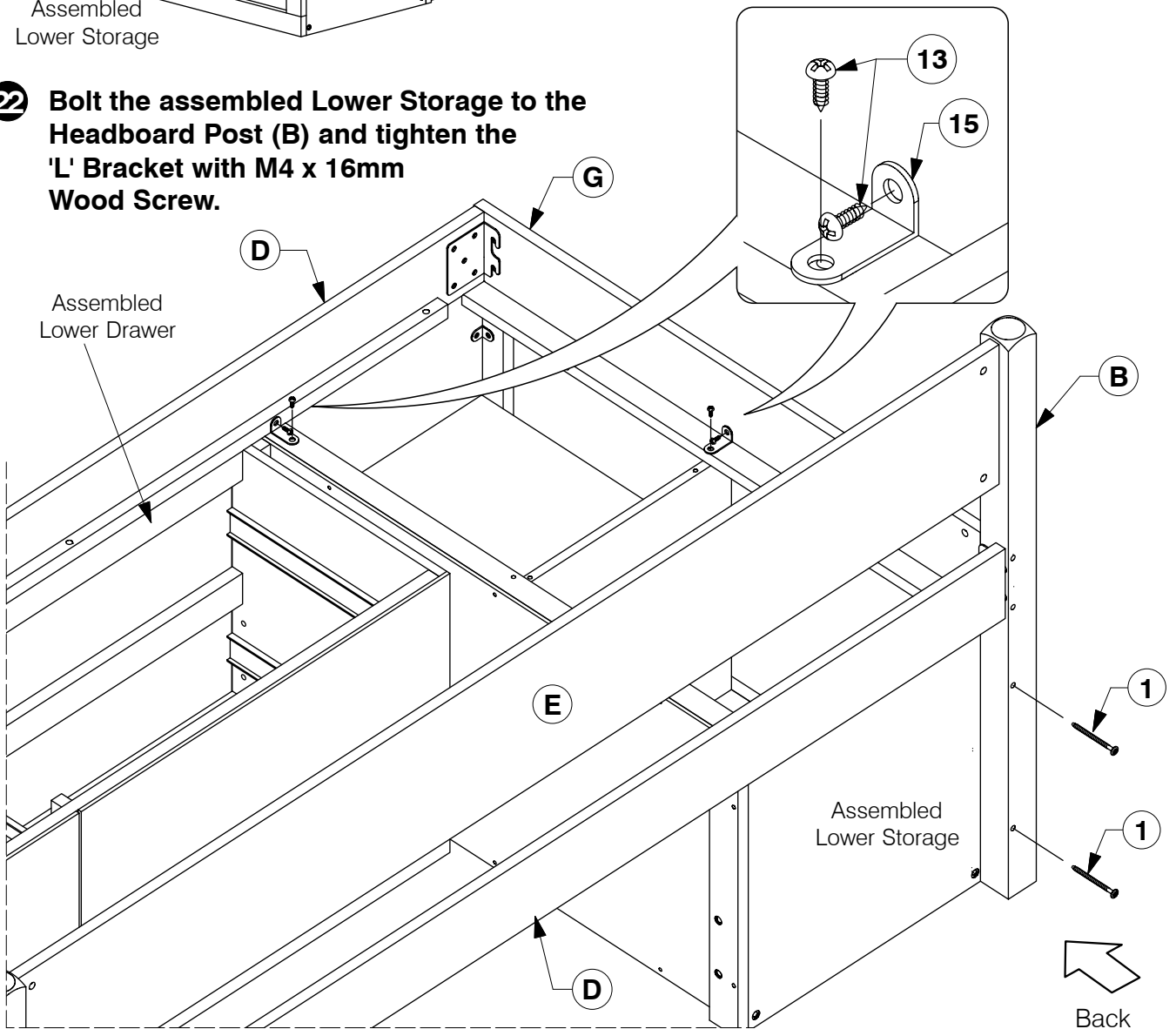
Twin Captain's Bed

Assembly Instructions

- 21** Assemble the assembled Lower Drawer to the Headboard Panel (A).



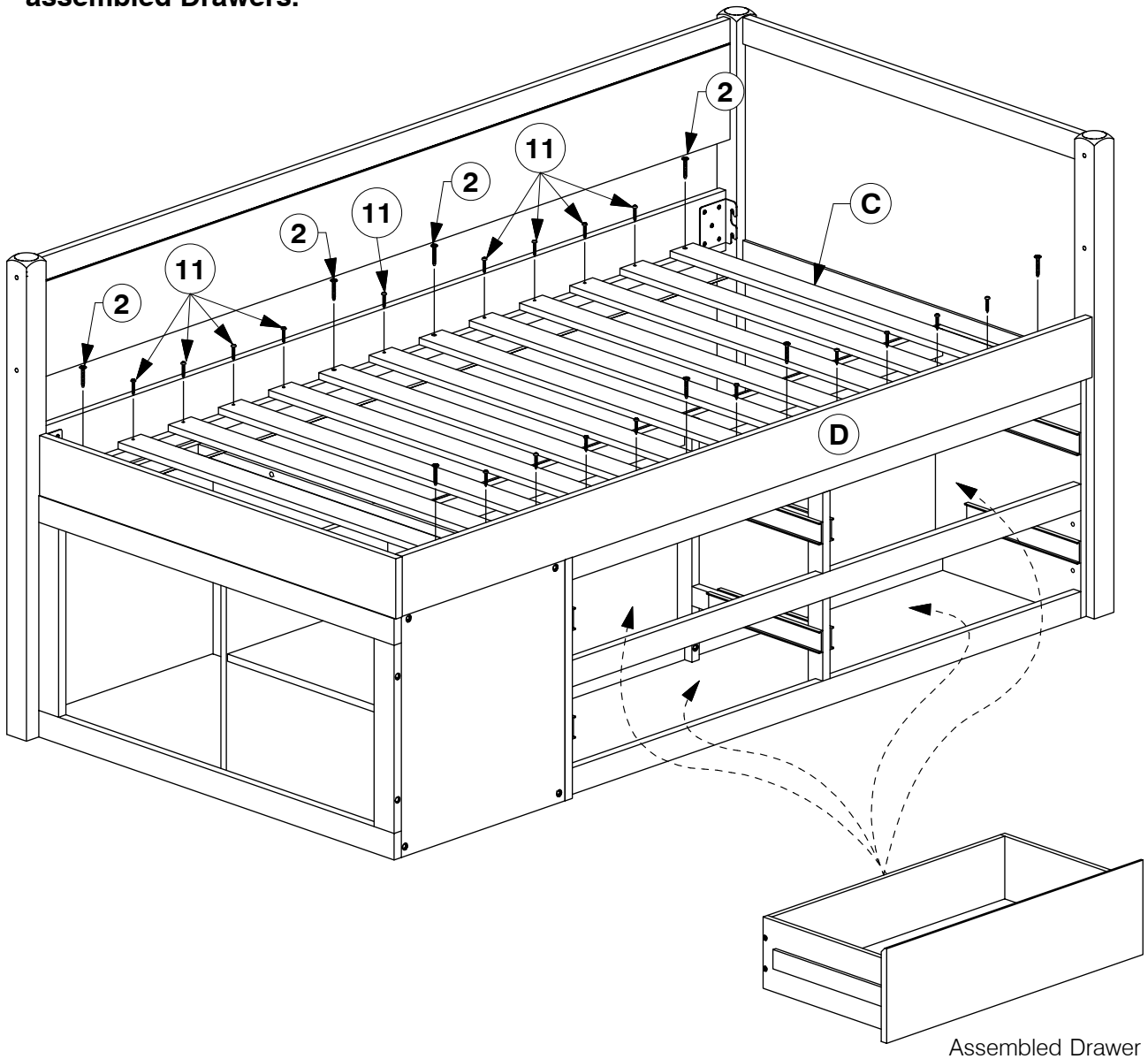
- 22** Bolt the assembled Lower Storage to the Headboard Post (B) and tighten the 'L' Bracket with M4 x 16mm Wood Screw.



Twin Captain's Bed

Assembly Instructions

- 23** Screw & bolt the Bed Slats (C) between the Side Rail (D). Finally, fit the assembled Drawers.



Assembled Drawer