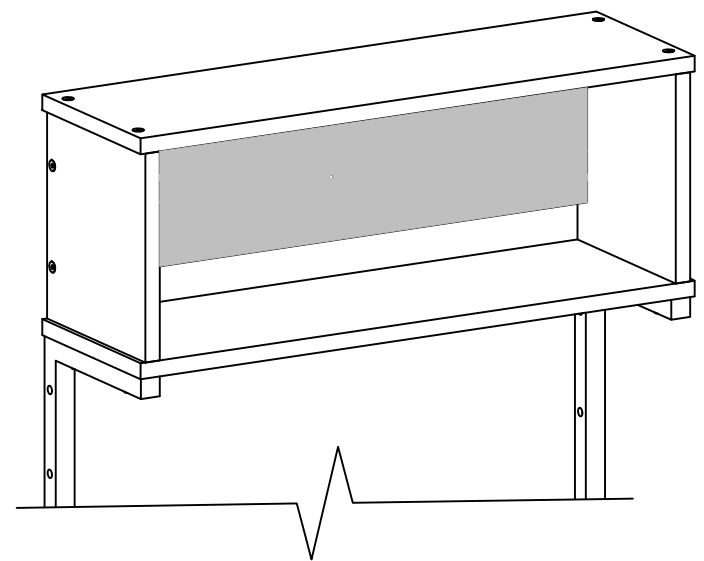
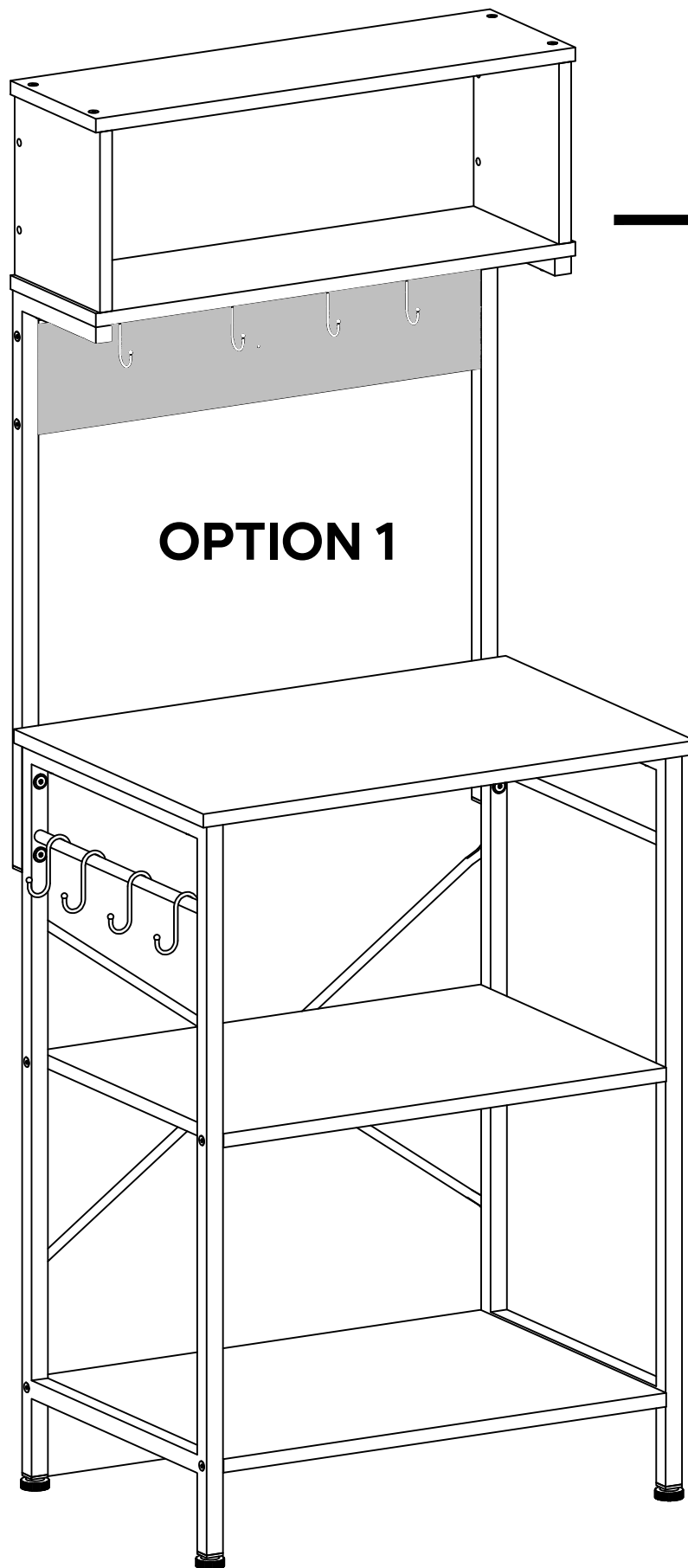


# Standing Baker's Rack

# Bestier

## ASSEMBLY INSTRUCTION



**OPTION 1**

**OPTION 2**



Know more about Bestier from



### **CUSTOMER SUPPORT**

**CONTACT US BY:**

**PHONE: 888-666-1086**

**EMAIL: [Service@bestier.net](mailto:Service@bestier.net)**

Thanks for choosing Bestier!  
Feel free to contact us if you need any help.  
Please kindly share your shopping experience  
with us on the platform if you are satisfied with it.

# HELPFUL HINTS

## ! BEFORE YOU START

- Inspect product packaging to ensure the appearance is good.
- Read the assembly instruction carefully and follow it step by step.
- To avoid any scratching, putting a soft blanket on the floor is suggested.
- Identify, sort and count all the parts with tags.
- Find out installation position according to the drawing and install it in correct steps.

## ! OTHER

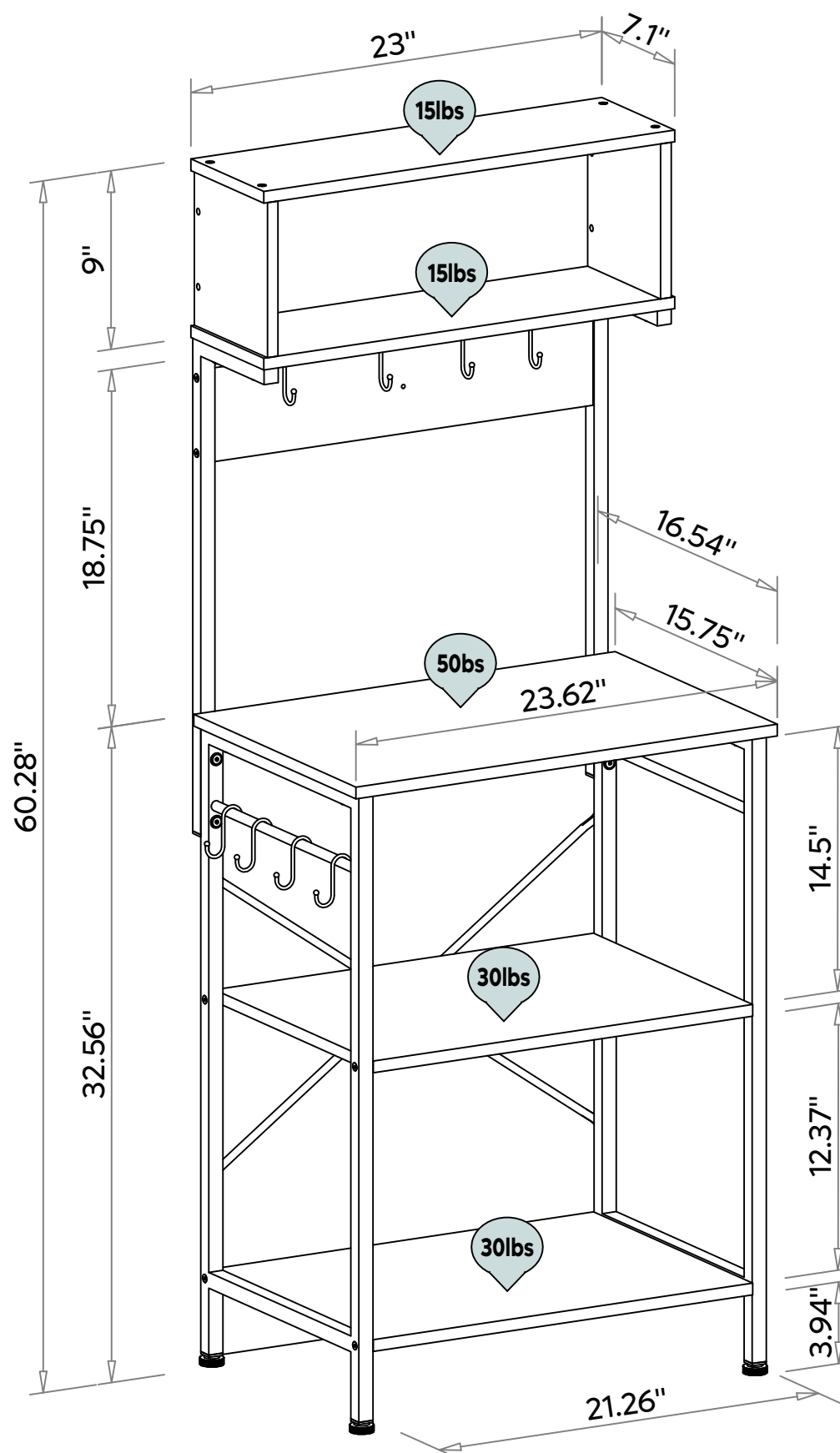
- People needed for assembly: 1-2
- Estimated assembly time: 0.5-1h

## ! CAUTION

- Be cautious when using a power drill or power screwdriver.
- Please be aware to slow down and stop when screw is nearly tight.
- Do Not use any harsh chemicals or abrasive cleaners for this item.
- Push, pull or drag this item carefully.

## DETAILS

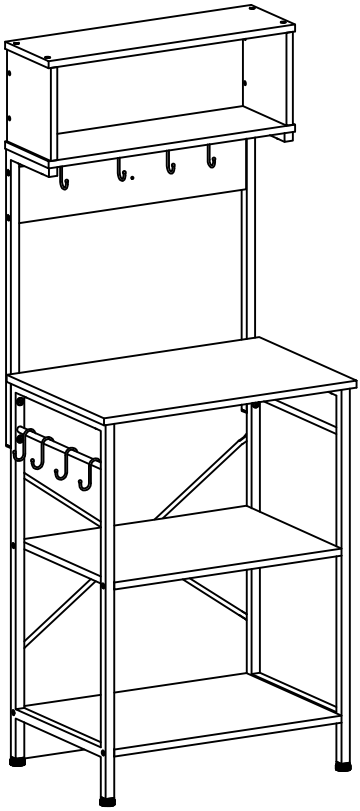
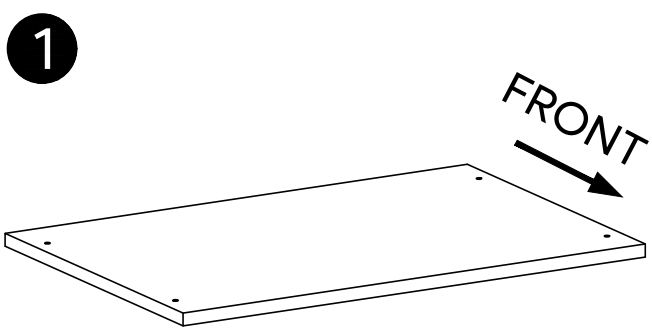
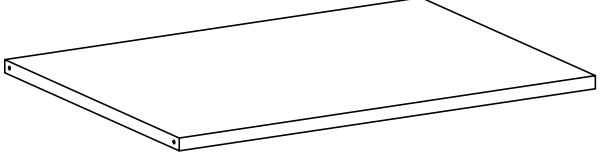
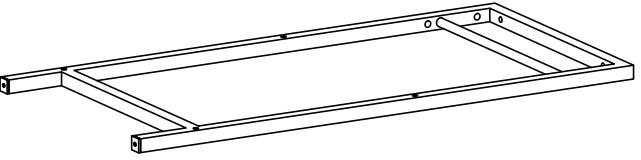

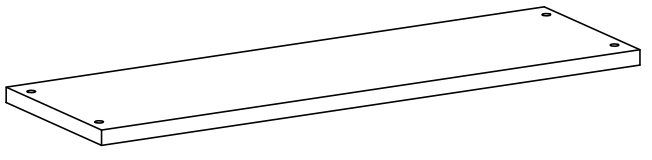
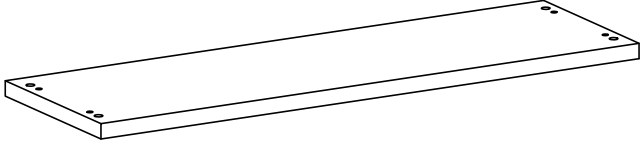
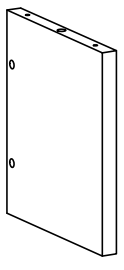
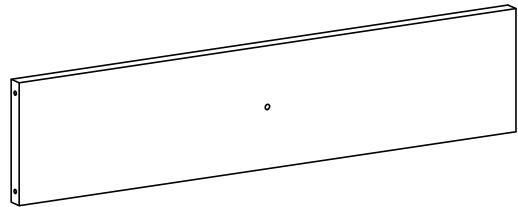
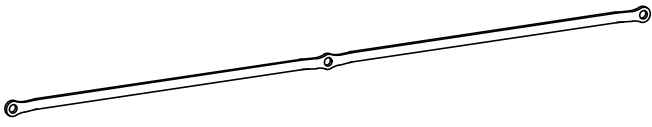
UNIT:INCH






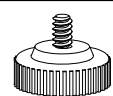


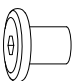
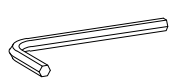
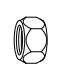
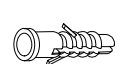
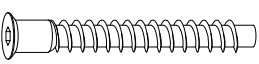

C086D

02

# PART LIST

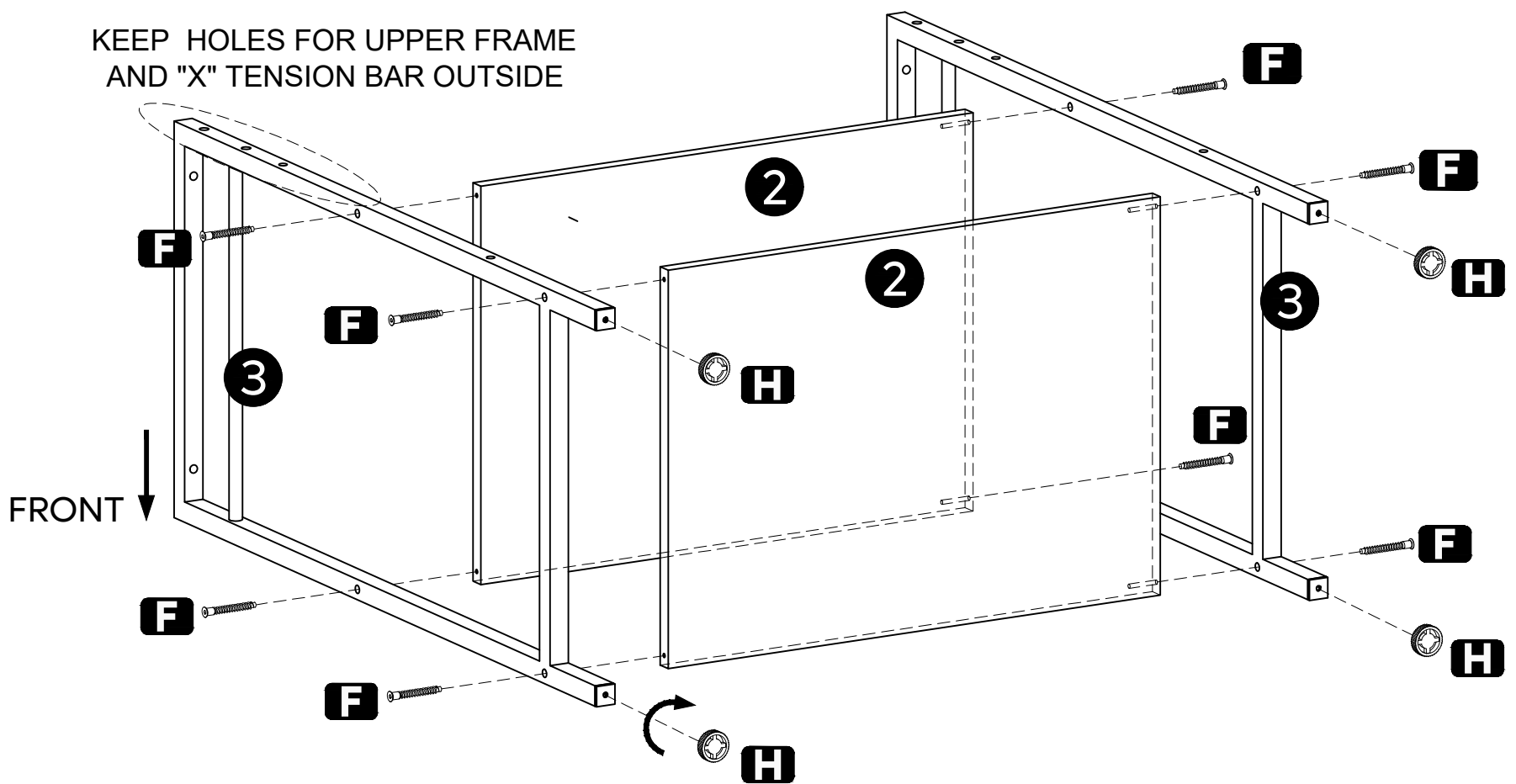
	 <p><b>1</b></p> <p>FRONT</p> <p>X1</p>	 <p><b>2</b></p> <p>X2</p>
	 <p><b>3</b></p> <p>X2</p>	 <p><b>4</b></p> <p>X2</p>
 <p><b>5</b></p> <p>X1</p>	 <p><b>6</b></p> <p>X1</p>	 <p><b>7</b></p> <p>X2</p>
 <p><b>8</b></p> <p>X1</p>	 <p><b>9</b></p> <p>X2</p>	


# ACCESSORY LIST

No.	PICTURE	SIZE	QTY	No.	PICTURE	SIZE	QTY
<b>A</b>		M6x15mm	5	<b>G</b>		M5x50mm	1
<b>B</b>		M6x30mm	8	<b>H</b>		Ø30	4
<b>C</b>		M6x35mm	4	<b>I</b>			1
<b>D</b>		M6	4	<b>J</b>		M4	2
<b>E</b>		M6	1	<b>K</b>		M8	1
<b>F</b>		M7x55mm	20	<b>L</b>			8


# STEP 1

KEEP HOLES FOR UPPER FRAME AND "X" TENSION BAR OUTSIDE

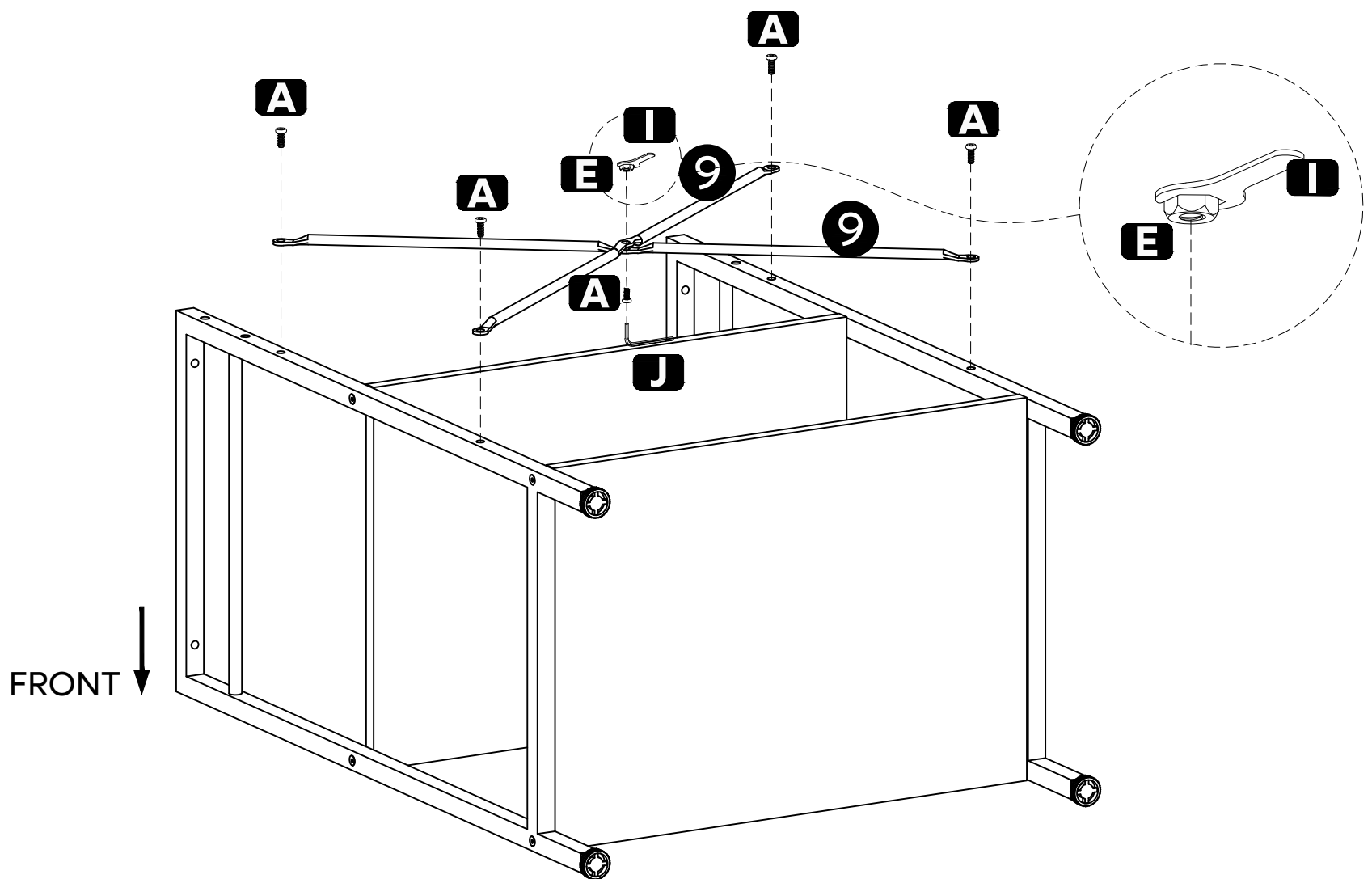



**F**  M7x55mm 8

**H**  Ø30 4

**J**  M4


# STEP 2



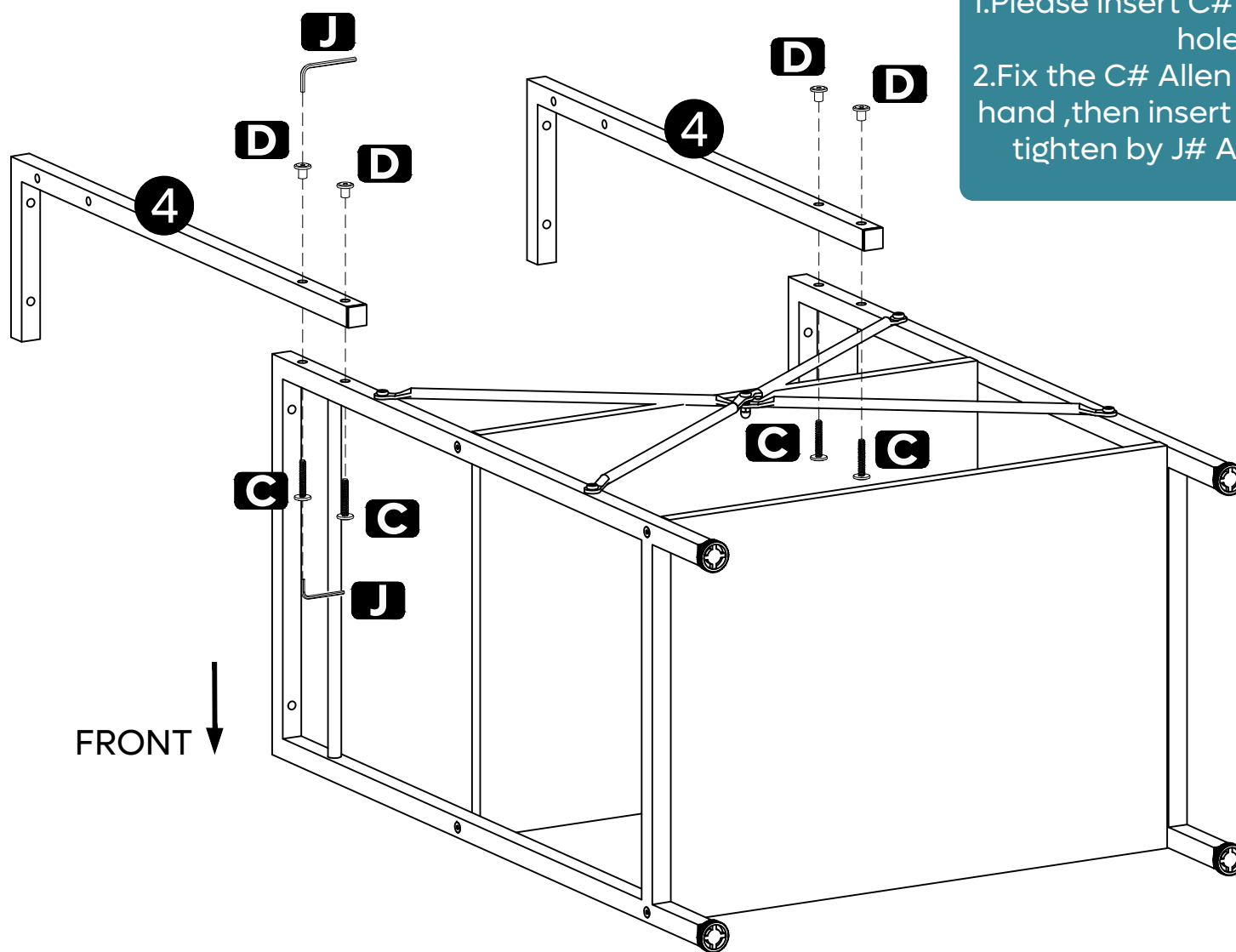
**A**  M6x15mm 5

**E**  M6 1

**I** 

**J**  M4

### STEP 3



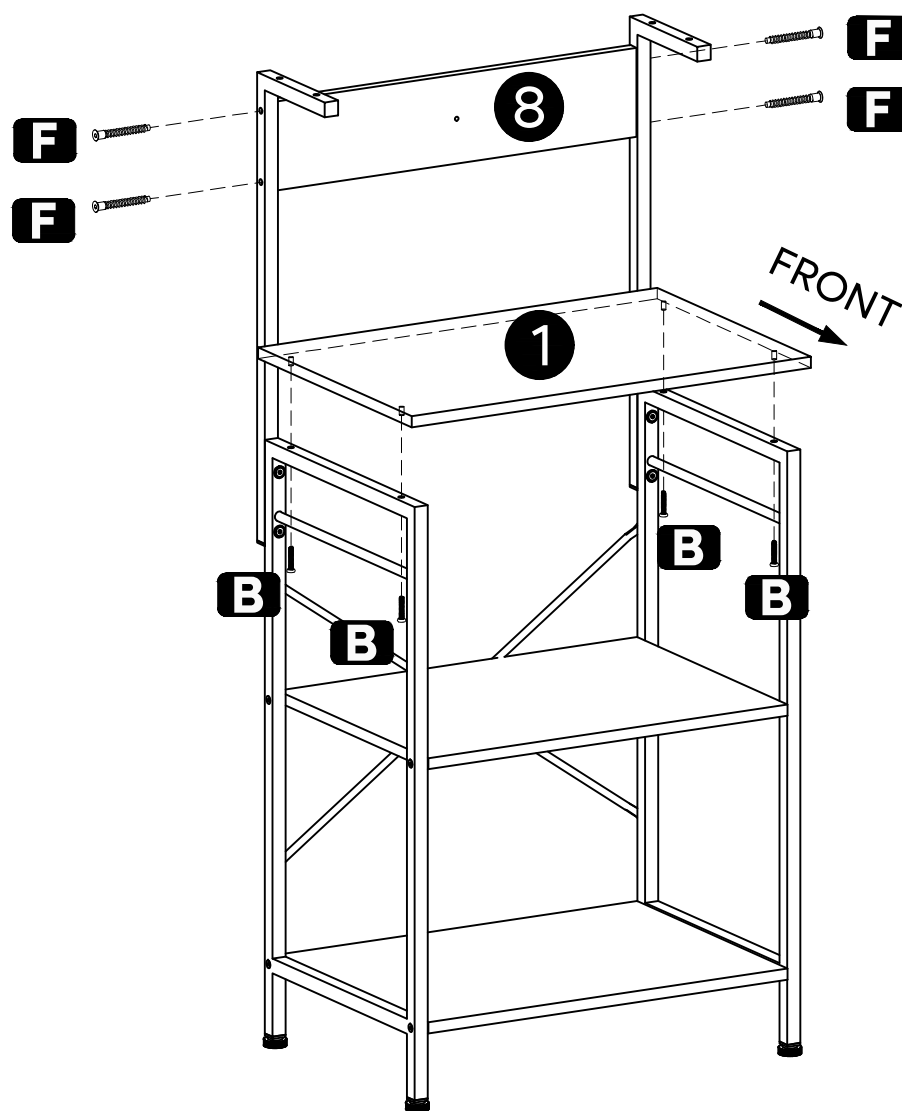
NOTES:  
 1. Please insert C# Allen bolts into holes.  
 2. Fix the C# Allen bolts with your hand, then insert D# T-nuts and tighten by J# Allen Wrench.


**C**  M6x35mm 4

**D**  M6 4

**J**  M4 2

### STEP 4

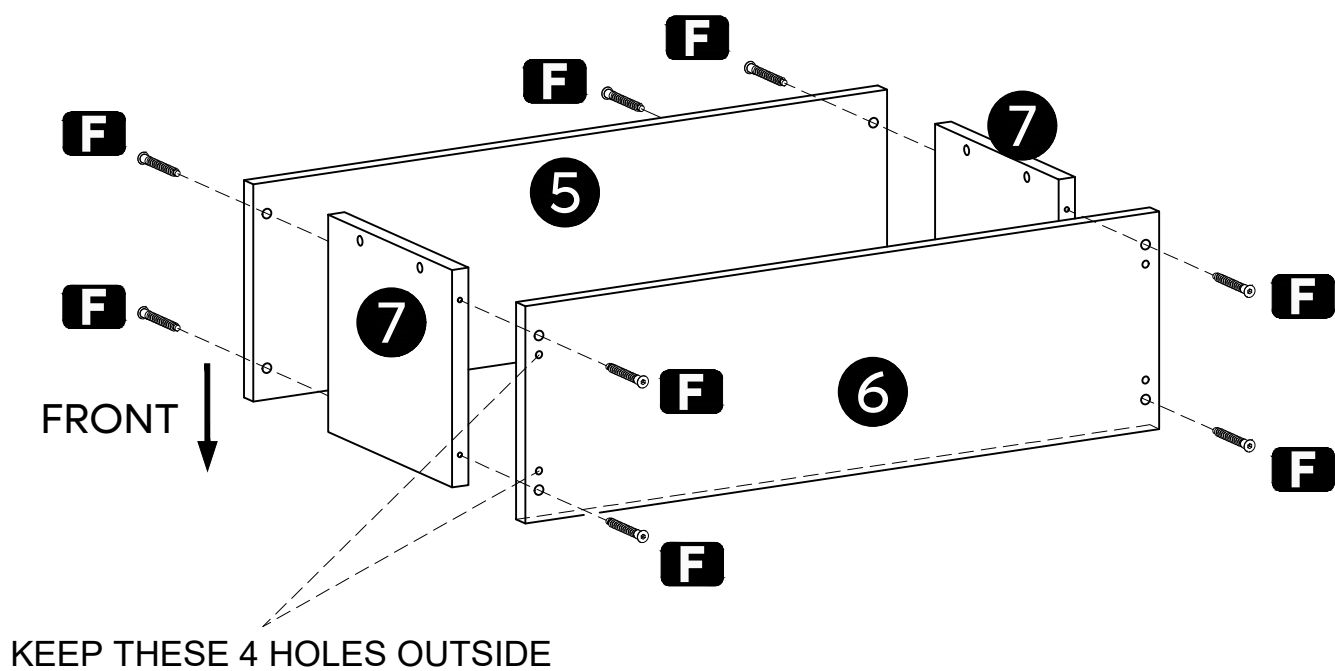


**B**  M6x30mm 4

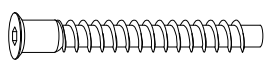
**F**  M7x55mm 4

**J**  M4 2

## STEP 5



**F**



M7x55mm

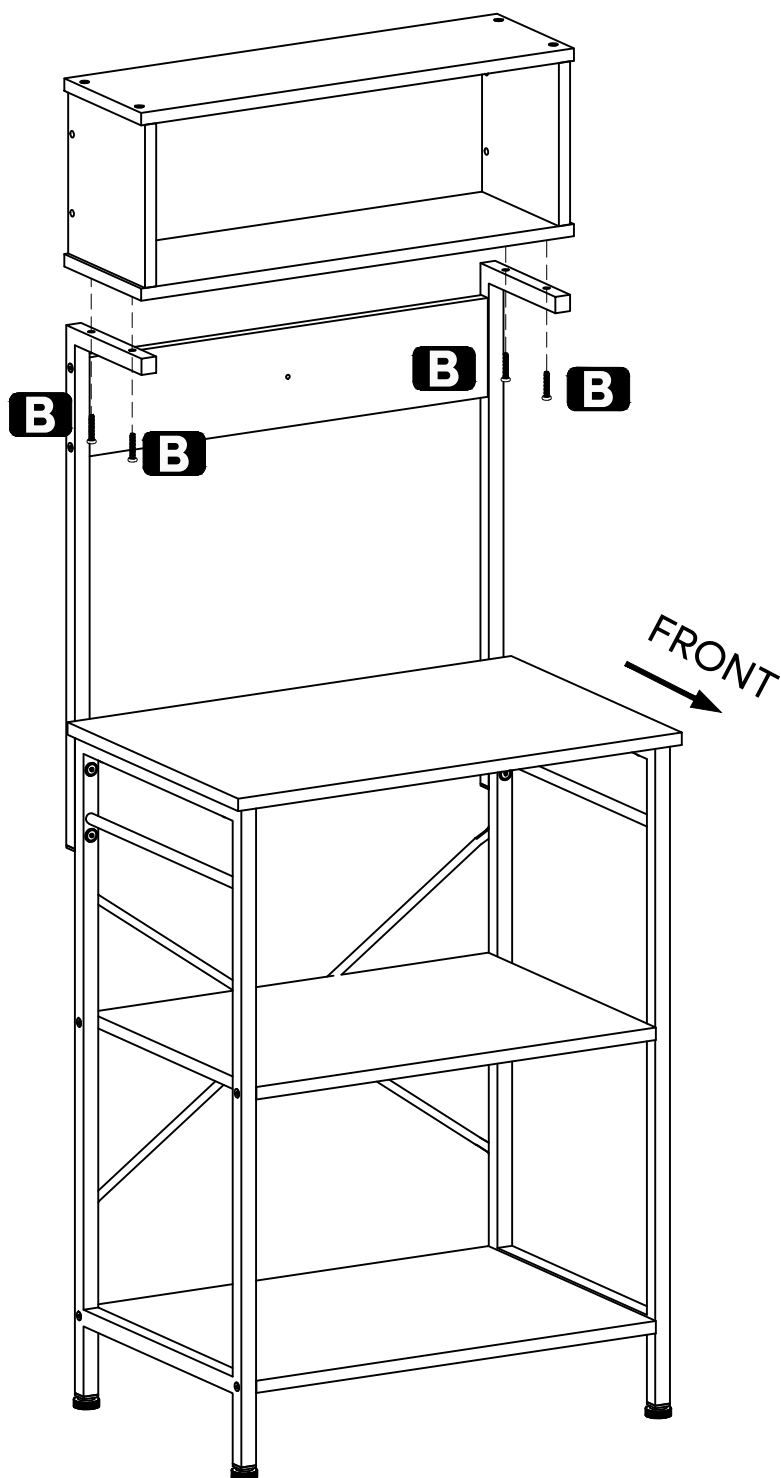
8

**J**



M4

## STEP 6



**B**



M6x30mm

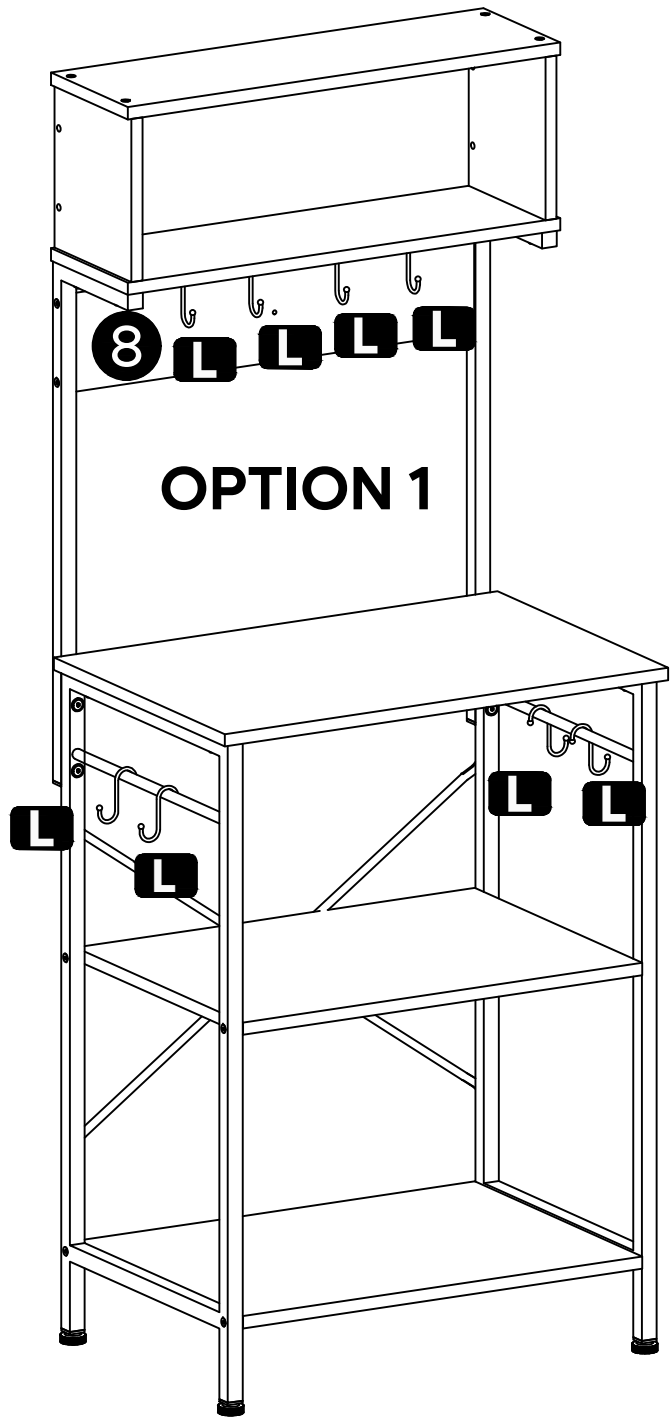
4

**J**

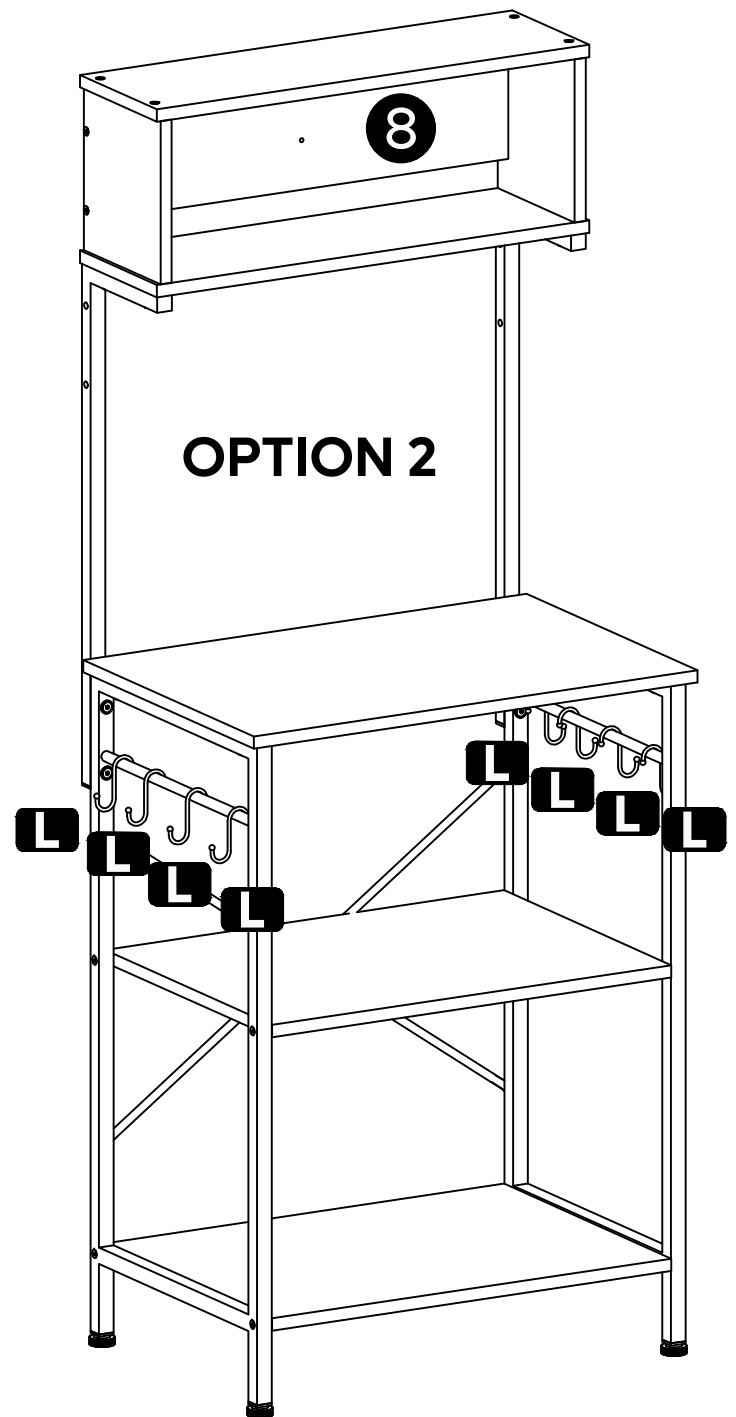


M4

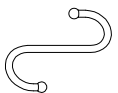
# STEP 7



8# Panel can be a hook holder panel (Option 1), Or as dam-board (Option 2)



**CONGRATULATIONS, YOUR BESTIER STANDING BAKER'S RACK IS NOW COMPLETE!**



8

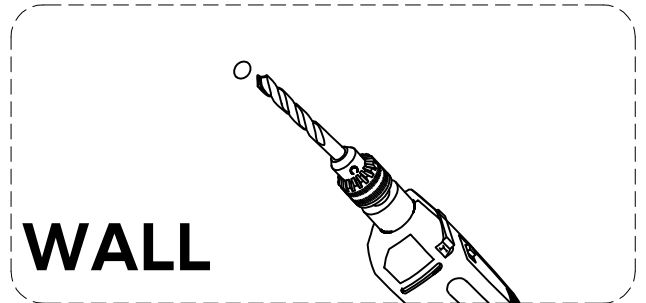
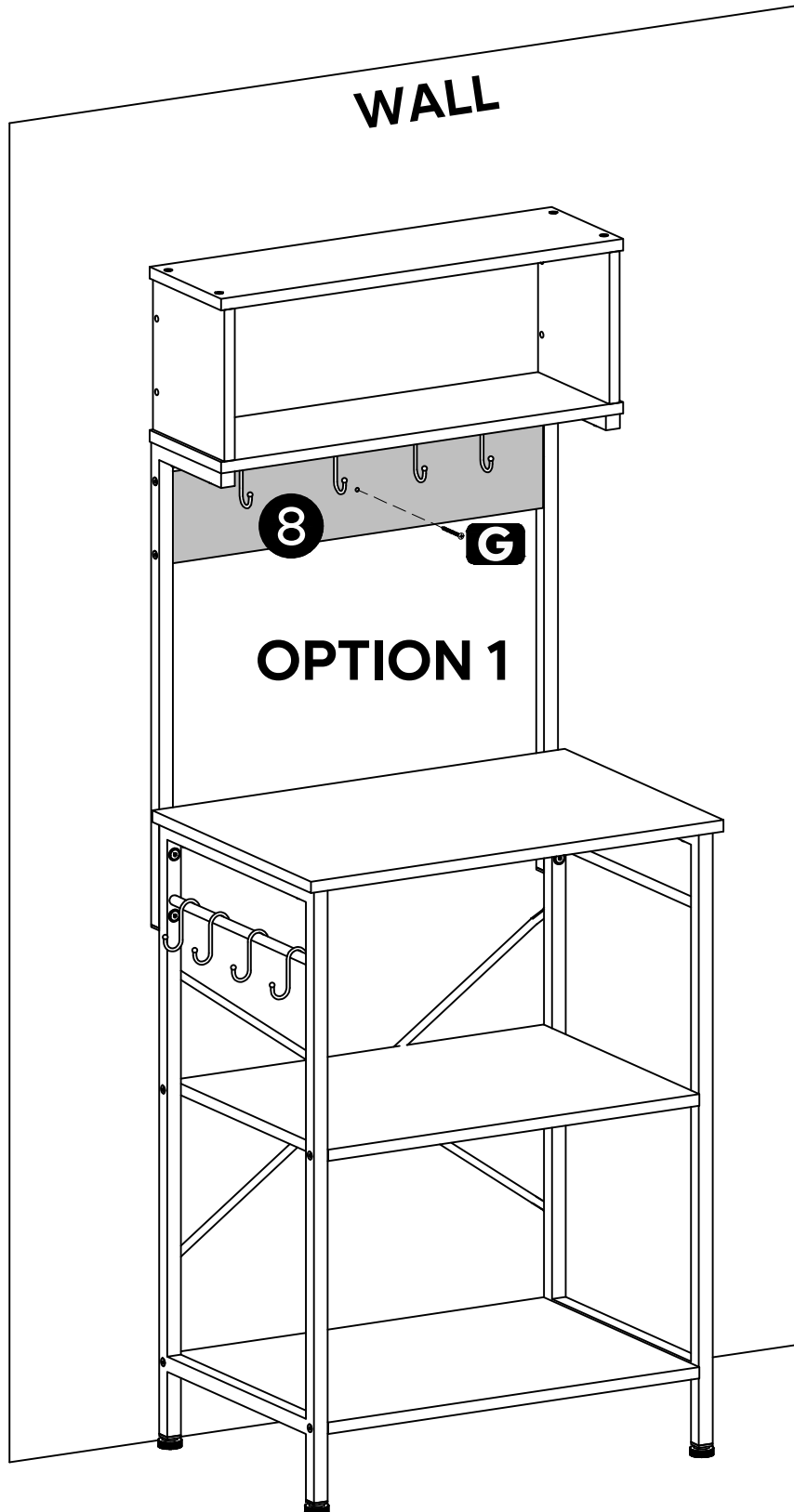
**C086D**

**07**

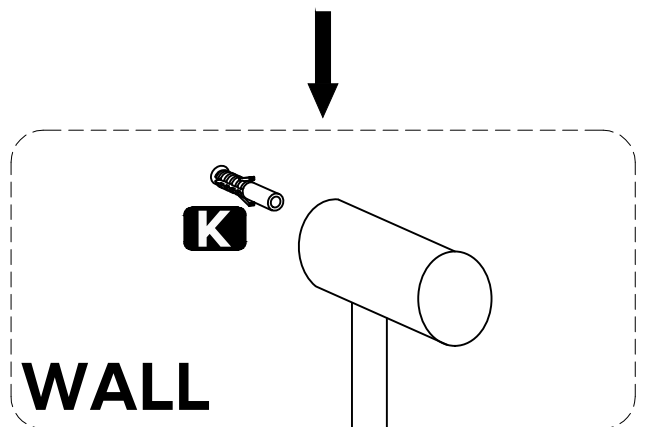
# STEP 8

## WALL SAFETY STRAP INSTALLATION

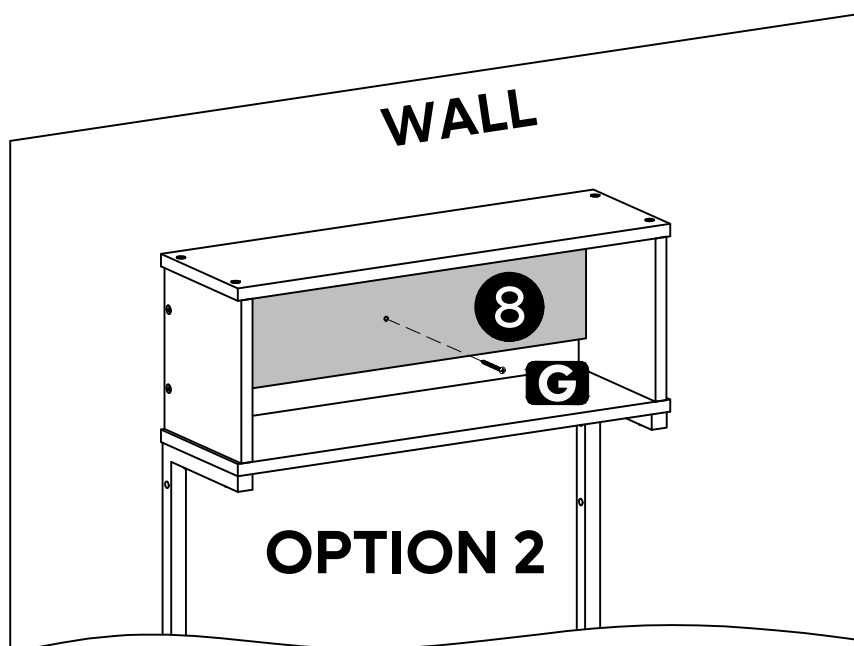
\*NOTE: WE RECOMMEND THAT YOU ATTACH THE PRODUCT TO YOUR WALL AS A SAFETY PRECAUTION.



1. Drill 1 hole (Dia.5/16") in the wall



2. Use rubber mallet for tapping K# Plastic Wall Anchor



3. Now connect the frame to Plastic Wall Anchor with G# screw and tighten as desired before locking in place.



M5x50mm

1



M8

1