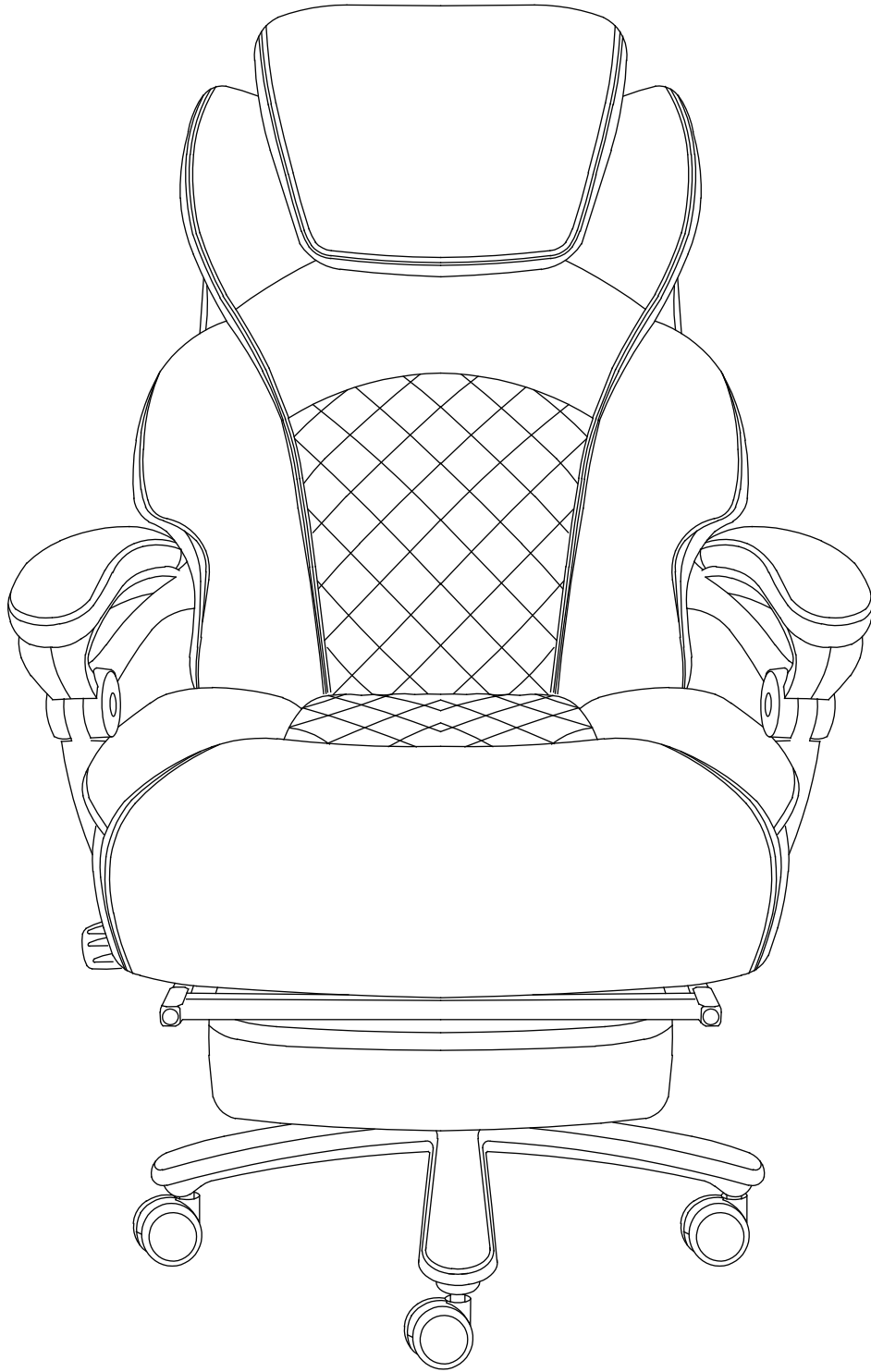


# INSTRUCTION MANUAL



Model:9366

Edition:2023041205Z

---

---

# ASSEMBLY GUIDE

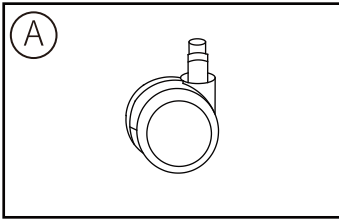
Congratulations, you are now the owner of a brand new chair!

Before enjoy the comfort chair, you have to put it together. This Assembly Guide will take you through the basic assembly process. To make sure your assembly goes smoothly, please follow the assembly instructions, **and especially the important safety information.**

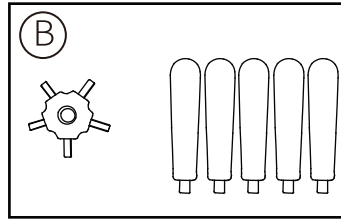
Also, while it is possible to assemble the chair on your own, **having a second person to help you makes it even easier.**

Before you begin, please check if there are any missing parts from the package. Should there be any issues, please don't hesitate to drop us an email and we'll help you out ASAP.

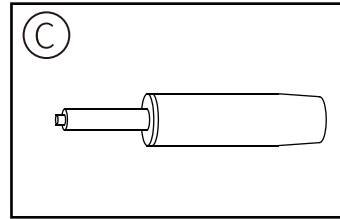
# PACKAGE LIST



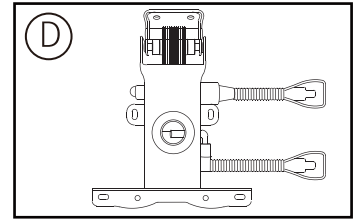
**A**  
**Casters**  
Quantity:5



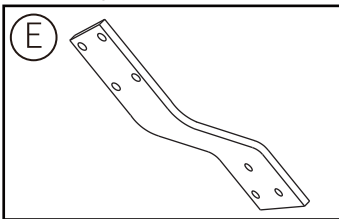
**B**  
**Star Base**  
Quantity:1



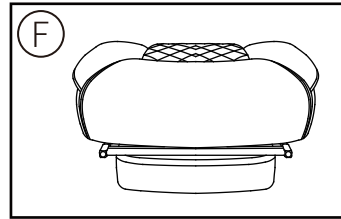
**C**  
**Gas Lift**  
Quantity:1



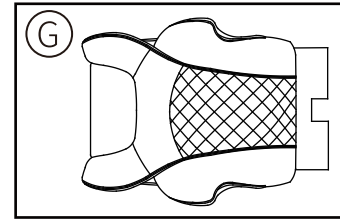
**D**  
**Seat Plate**  
Quantity:1



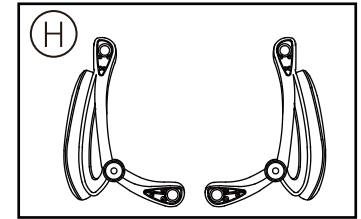
**E**  
**Steel Plate**  
Quantity:1



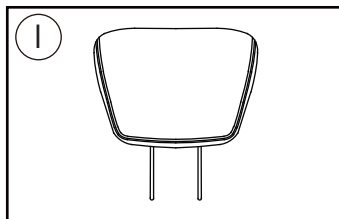
**F**  
**Seat Cushion**  
Quantity:1



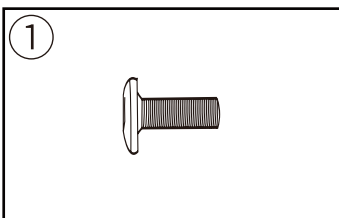
**G**  
**Back Cushion**  
Quantity:1



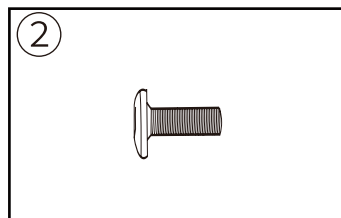
**H**  
**Armrests**  
Quantity:2



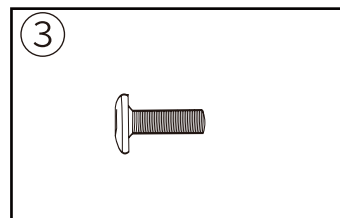
**I**  
**Headrest**  
Quantity:1



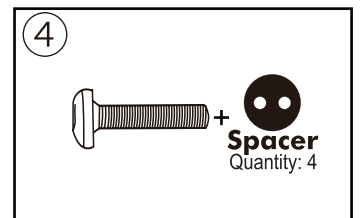
**1**  
**Bolts M6x25mm**  
Quantity:4



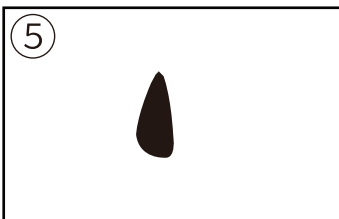
**2**  
**Bolts M8x20mm**  
Quantity:3



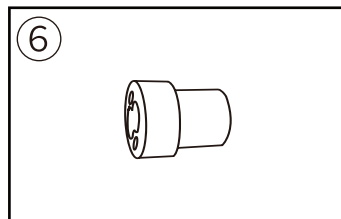
**3**  
**Bolts M6x30mm**  
Quantity:4



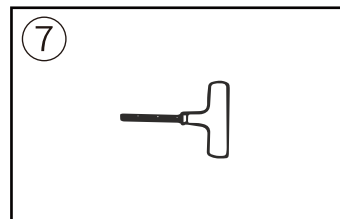
**4**  
**Bolts M6x60mm**  
Quantity:8  
+ **Spacer**  
Quantity: 4



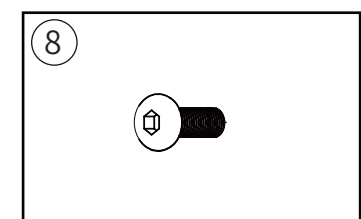
**5**  
**Plastic Caps**  
Quantity:4



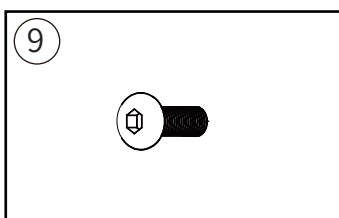
**6**  
**Connector**  
Quantity:4



**7**  
**T-Wrench**  
Quantity:1



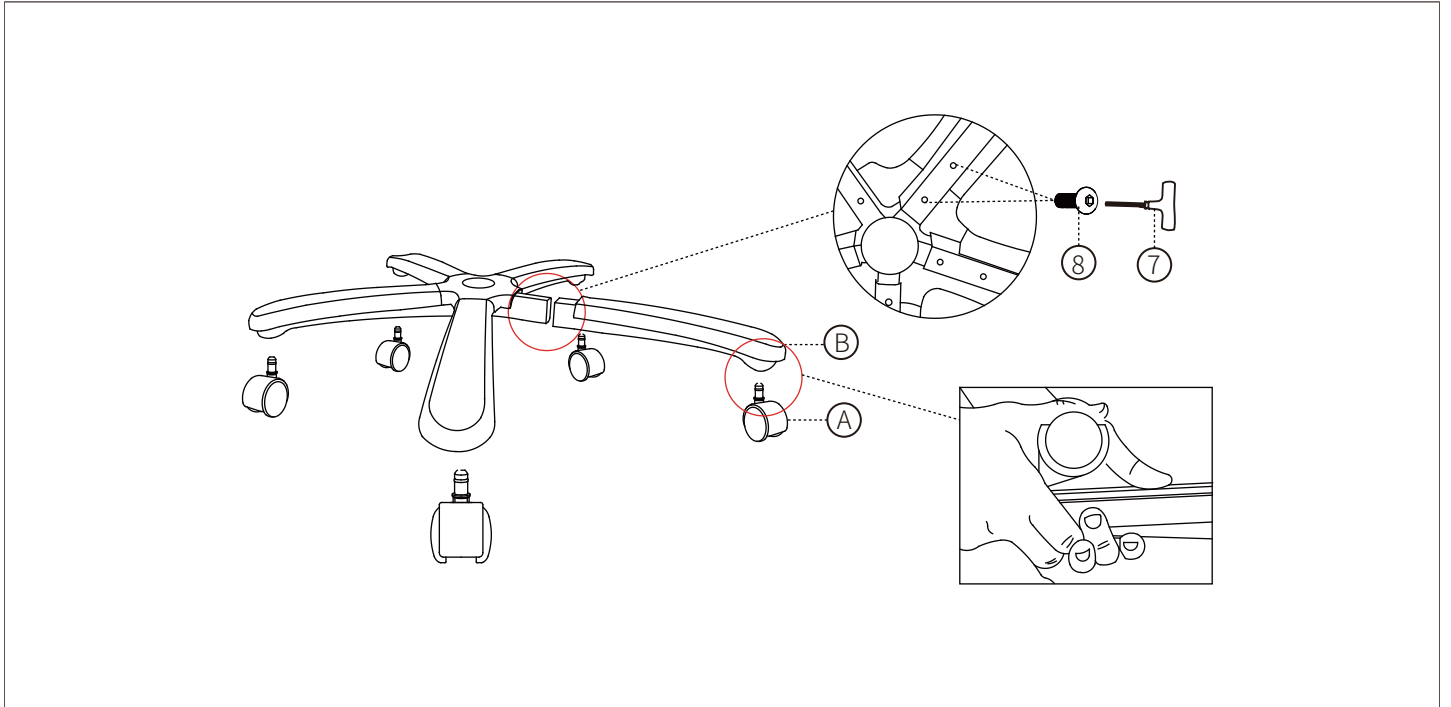
**8**  
**Bolts M6x10mm**  
Quantity:10



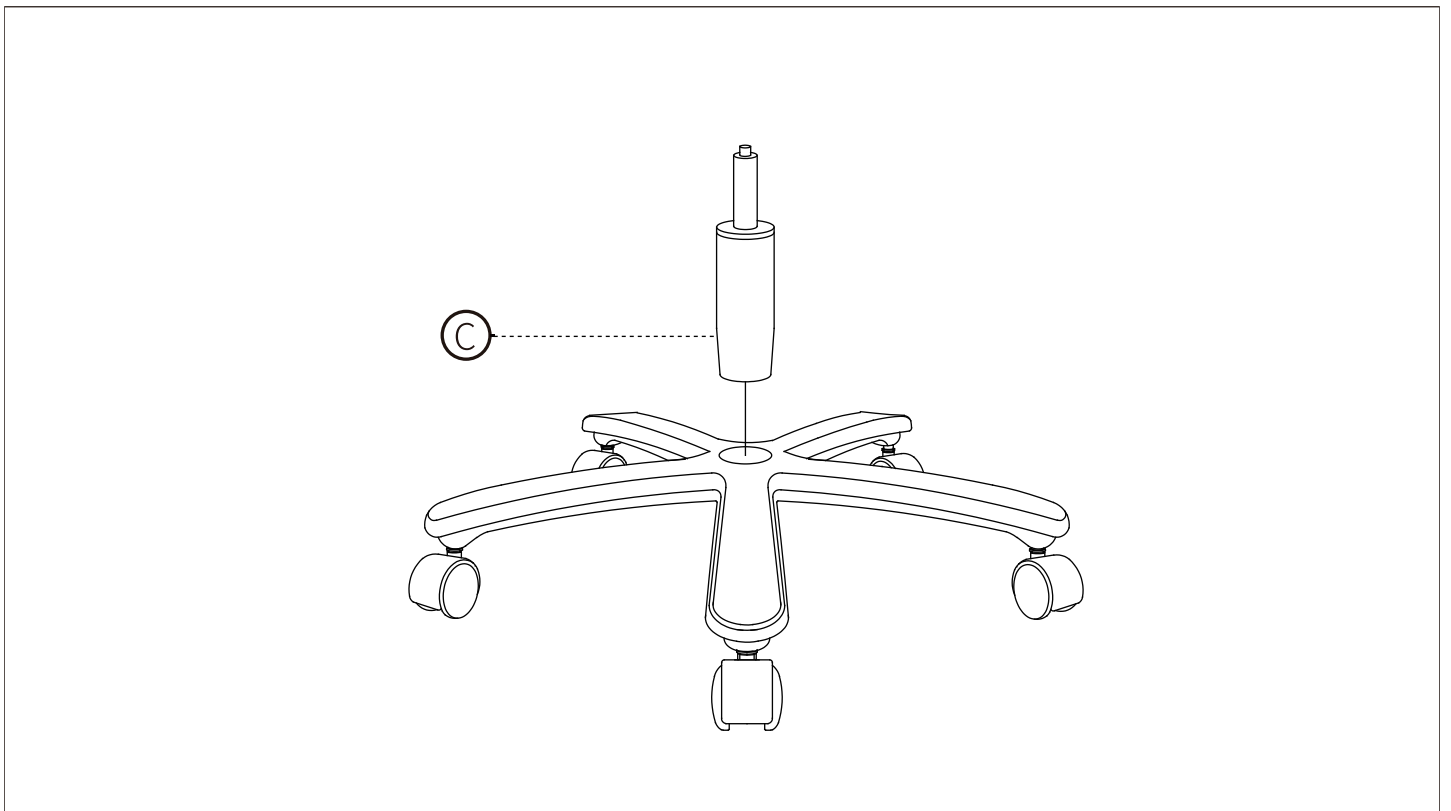
**9**  
**Bolts M6x35mm**  
Quantity:2

# ASSEMBLY INSTRUCTIONS

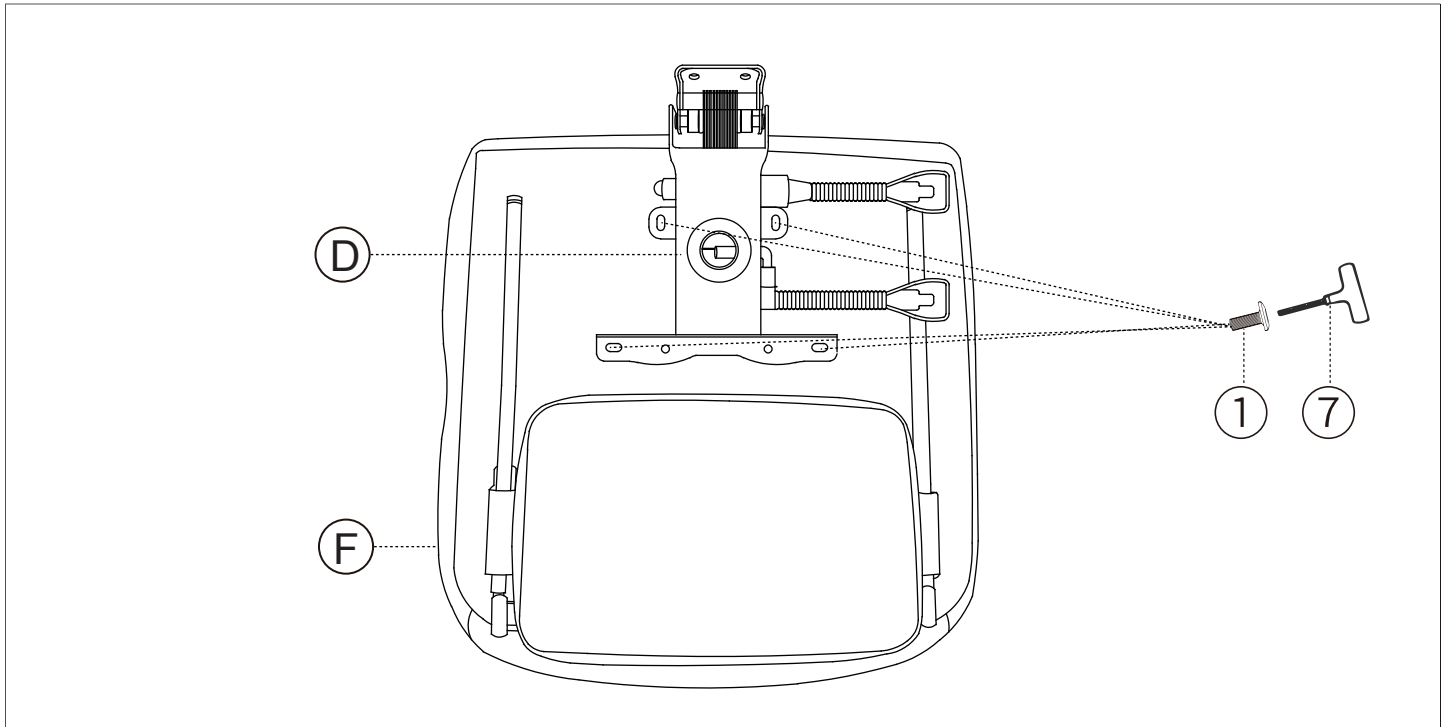
**STEP 1 :** Turn the Star Base upside down, then press the Casters into the holes at the end of each base leg.



**STEP 2 :** Turn the Star Base upright and insert the Lift into the center hole of the Star Base.



**STEP 3:** Align the seat plate to the bottom of the seat cushion, make sure that the front of the seat plate is facing the front of the seat cushion. Attach the seat plate to the seat cushion using four M6X25mm bolts, tighten all the bolts with the wrench.

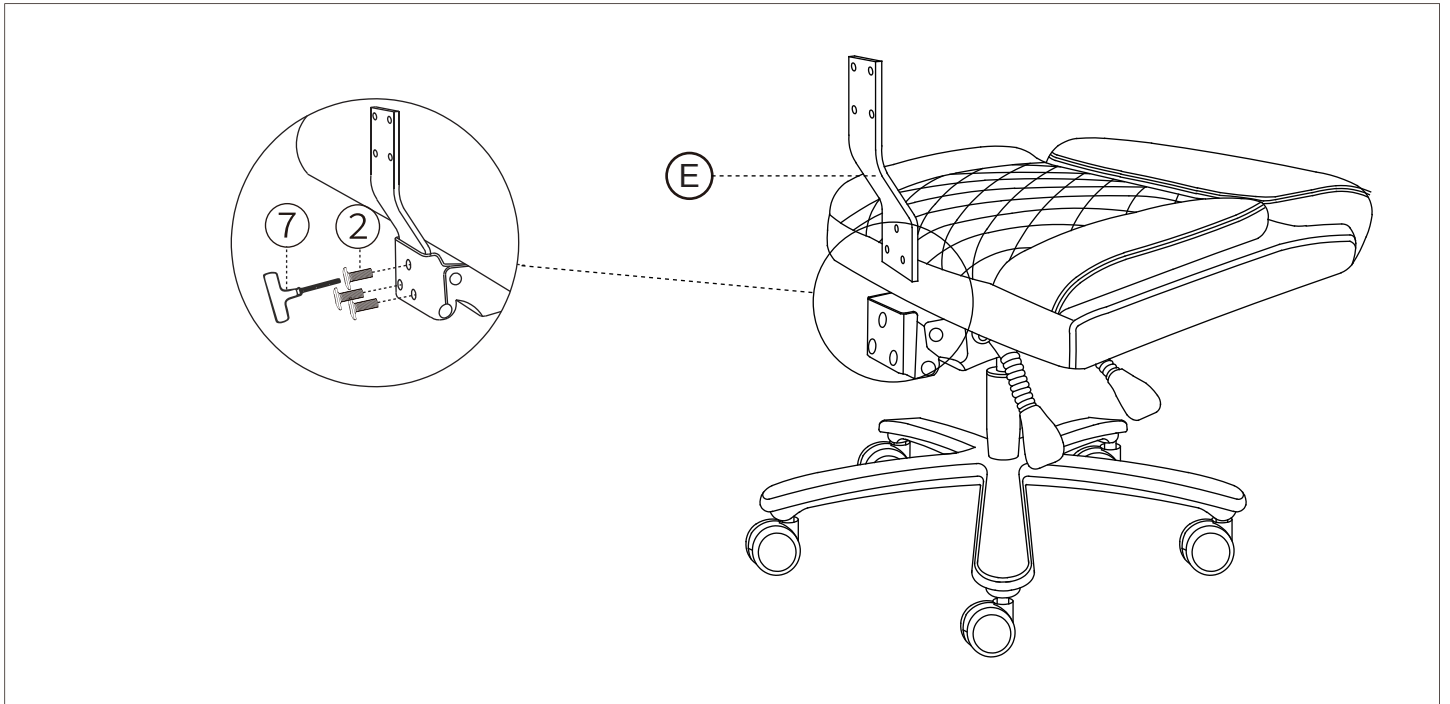


**STEP 4:** Turn the seat cushion upright and align the center hole of the seat plate over the lift, then push the seat cushion down onto firmly until the connection is secure.

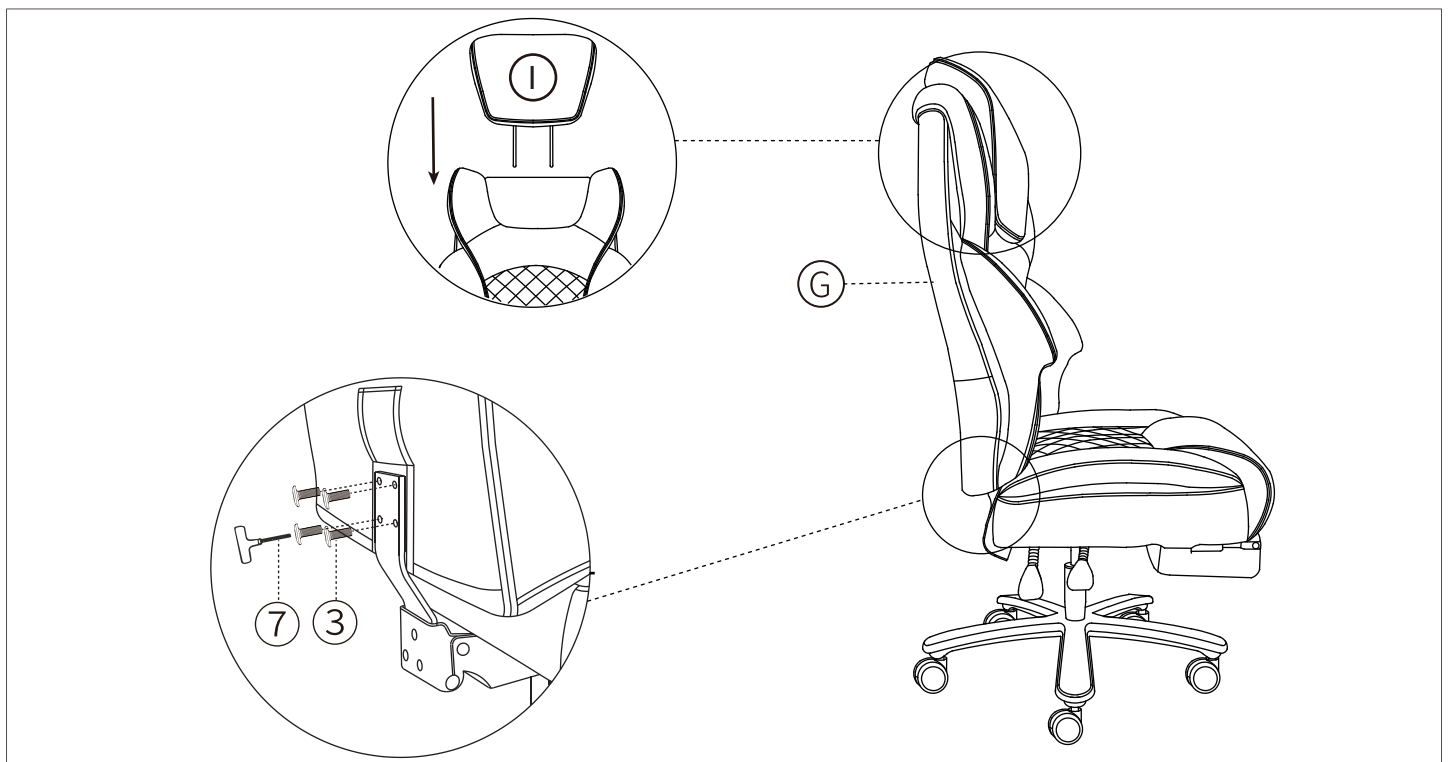


**STEP 6:** Attach the Steel Plate to the seat cushion with three M8x20mm Bolts.

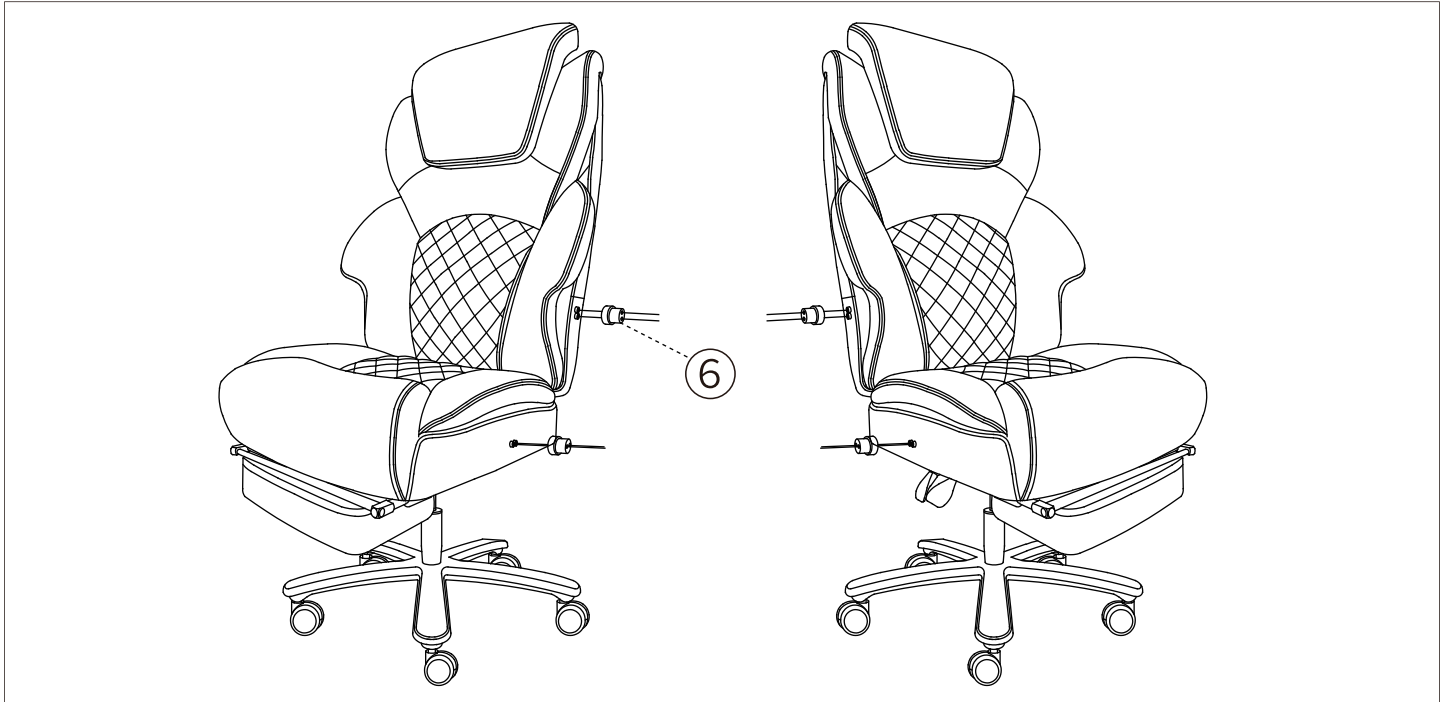
**Note:** Do not tighten the bolts fully.



**STEP 7:** Attach the Steel Plate to the back cushion with four M6x30mm Bolts.

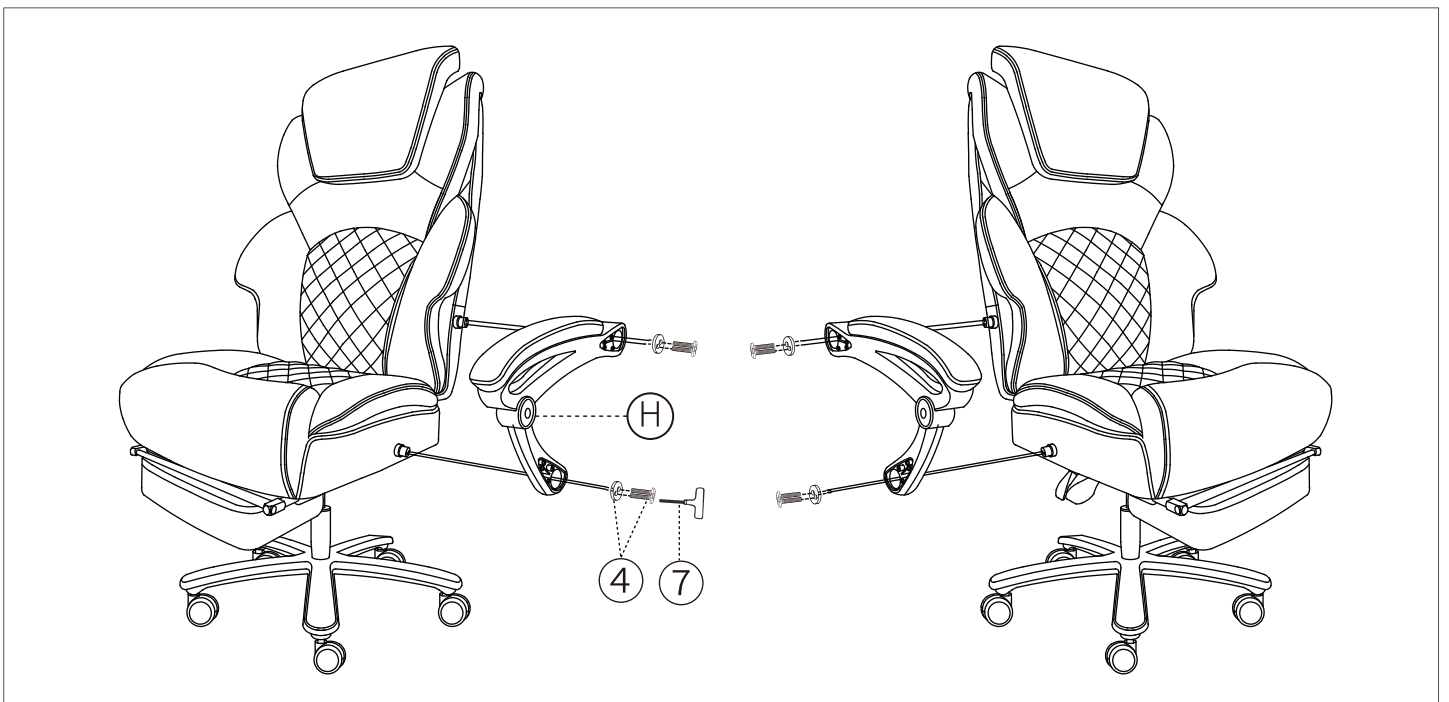


**STEP 8:** Attach four connectors to the back and seat cushion on both sides.



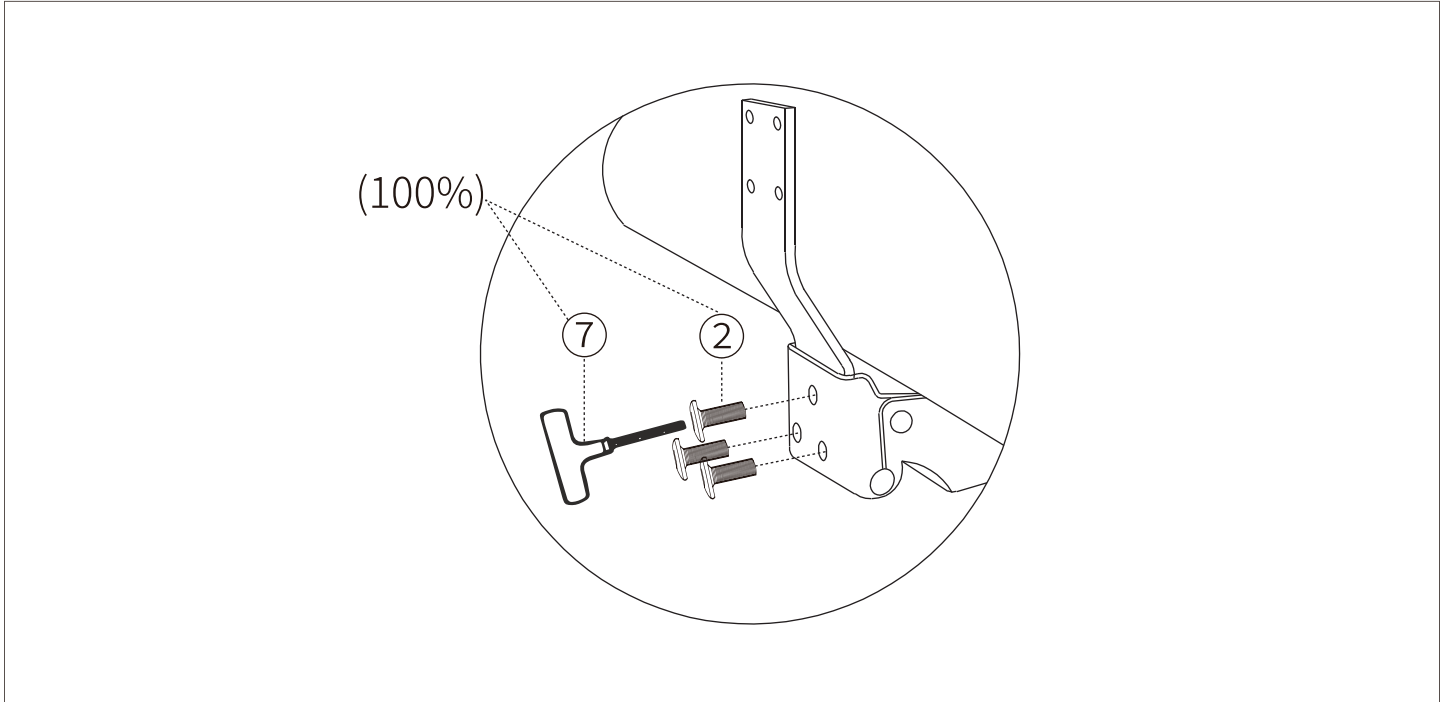
**STEP 9:** Attach armrest to the connector with M6\*60mm Bolts on both sides, using the T-Wrench.

**Note:** Do not tighten the bolts fully.



**STEP 10:** Adjust the balance, then fully tighten all the bolts on each side of adjusters.

**STEP 11 :** Tighten all the bolts with the T-wrench.

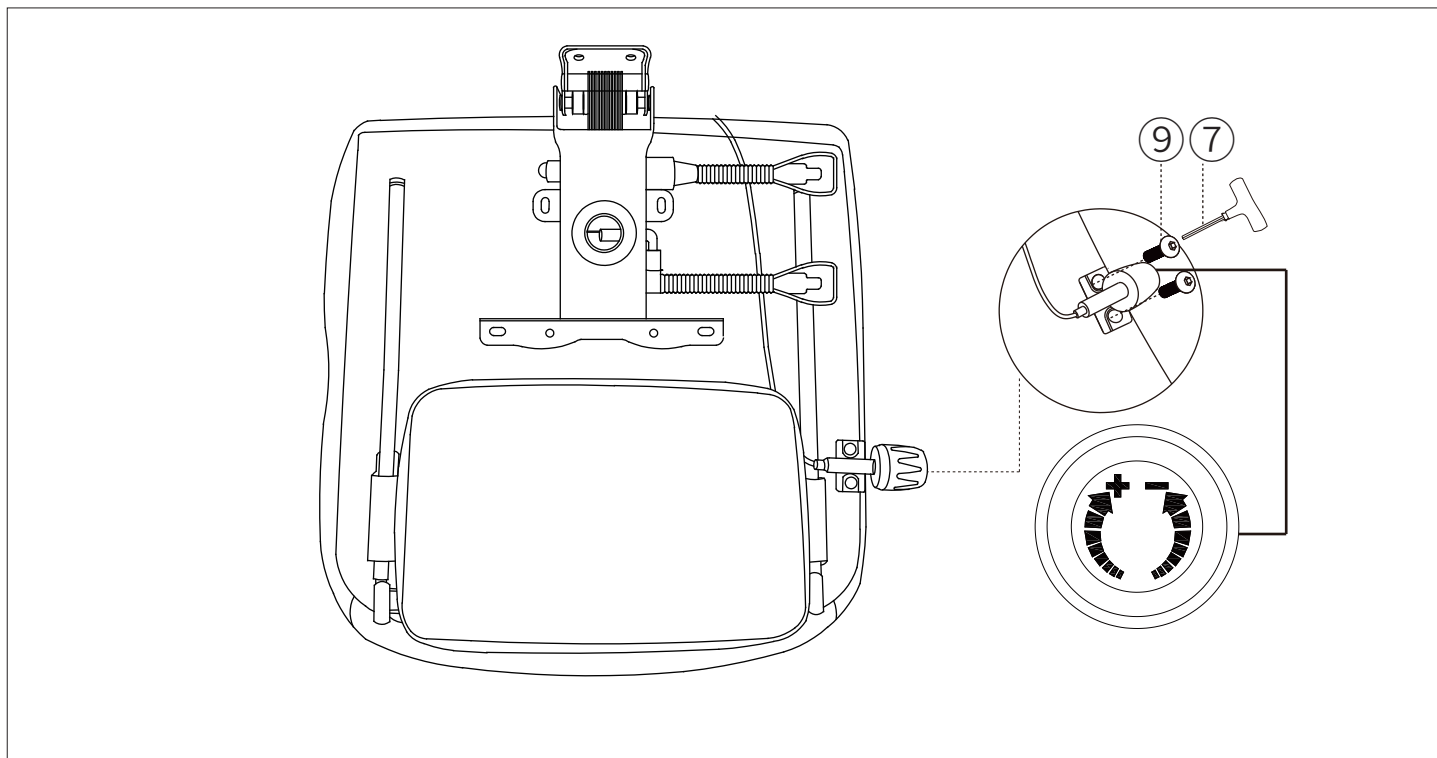


**STEP 12:** Press the plastic caps into the adjuster holes to cover the bolts

**Note:** Plastic caps are labeled with an “L” (left) or “R” (right) to show which sides they should be placed on.



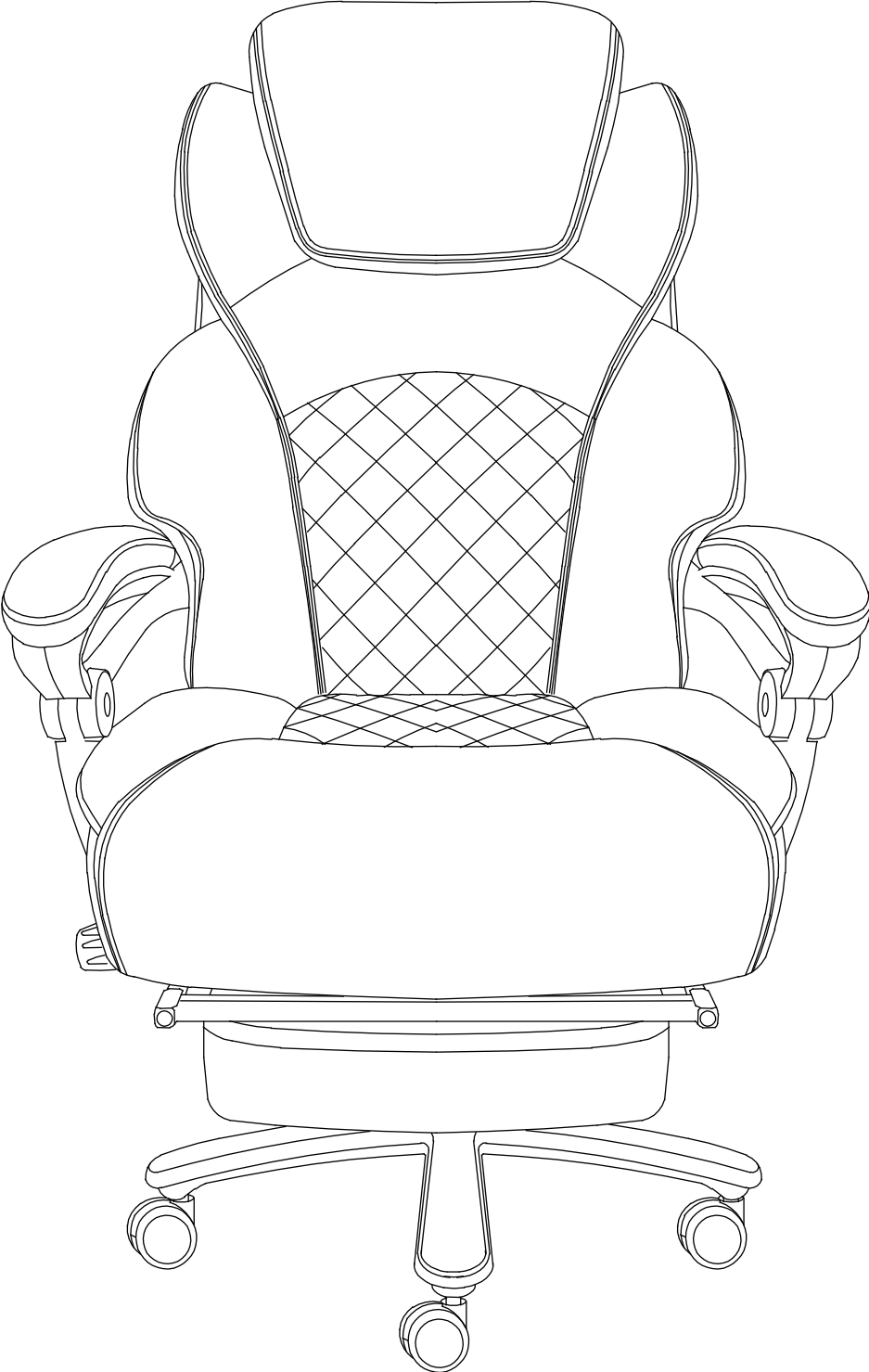
**STEP13:** Align the BACK ADJUSTER to the bottom of seat cushion with two M6\*35mm Bolts.



---

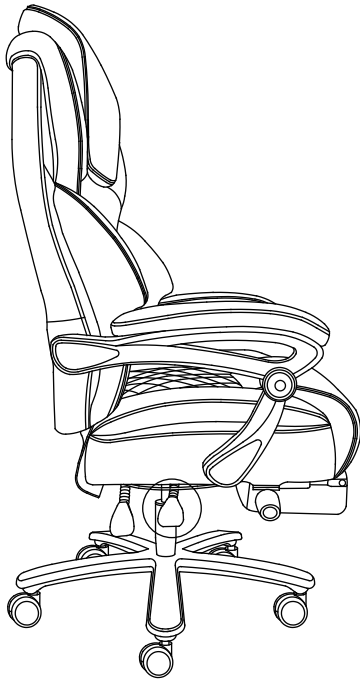
---

**Congratulations! You've assembled your chair.**



# INSTRUCTIONS FOR USE

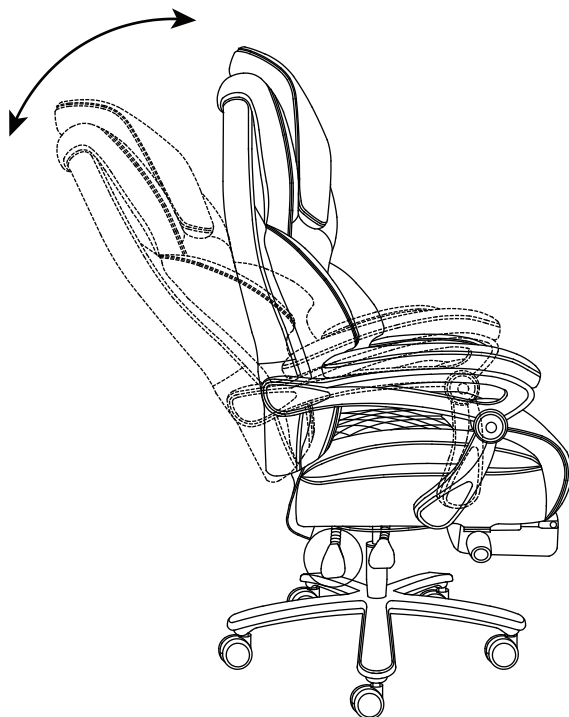
## 1. Seat Height: Paddle-shaped lever on the right side



- ↑ **To raise**  
while taking your weight off chair, lift lever up.
- ↓ **To lower**  
while seated, lift lever up.

*\*At the proper height, your feet should rest flat on the floor.*

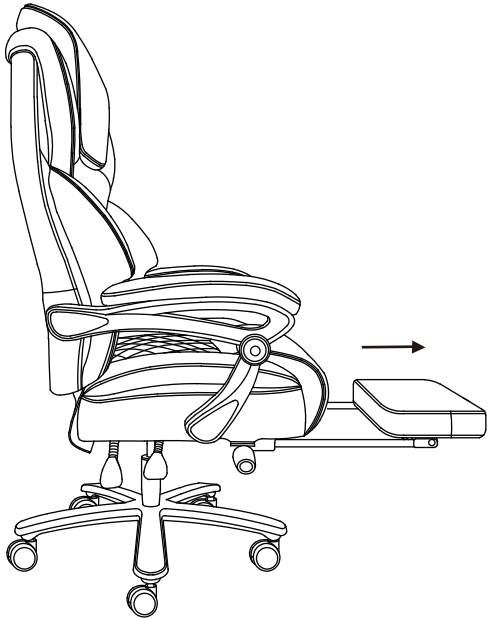
## 2. Backrest Recline



- 🔓 **To let your chair tilt back, pull the control handle out.**
- 🔒 **To stop your chair from tilting, sit forward, then push the control handle in.**

# INSTRUCTIONS FOR USE

## 3. Relax with footrest



*Pull out the pole of the footrest, and turn the footrest to the front.*

*\*At the proper height, your feet should rest flat on the floor.*

## 4. Adjustable lumbar support



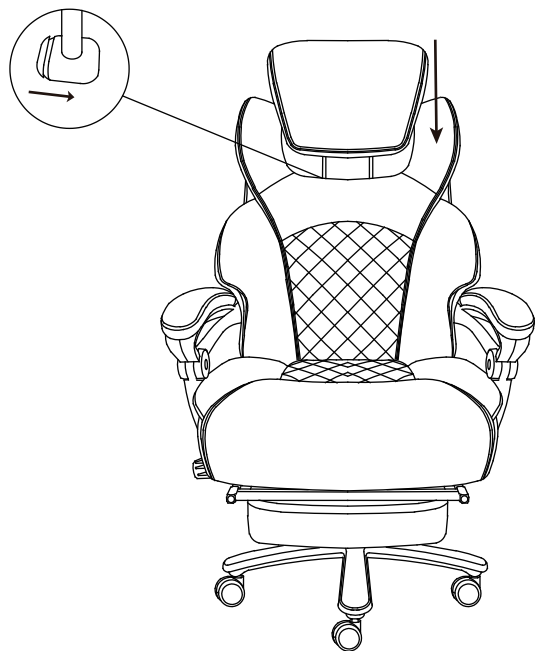
*Built in lumbar lift.*



*Built in lumbar support.*

# INSTRUCTIONS FOR USE

## 6. Headrest lifting function



↑ *Pull up to adjust the height of the headrest upwards*

↓ *Press the button to adjust the height of the headrest downwards*

# SAFETY AND MAINTENANCE

- Do not stand on the chair, Do not use the chair as stepladder.
- Use this product for seating one person at a time.
- Do not use the chair unless all bolts and screws are firmly secured.
- Avoid contact with sharp objects to prevent puncturing the fabric.
- Every 6 months, check all bolts and screws to ensure they are tight.
- To clean, spot clean only using a damp towel and mild cleaner, first test on a small, obscure area of fabric.
- Chair weight limit not to exceed 350 lbs.

## SAFETY INFORMATION



Sit in the center of the chair, with your back to the backrest



Do not sit at the front edge of the chair



Do not stand on the chair



Do not use the chair with more than one person



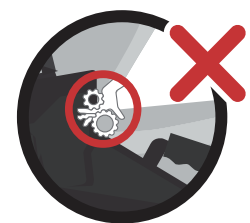
Do not push the chair around when a person is sitting in it



Do not push down on the backrest when a person is reclined



Do not place all your weight on the backrest only



Do not place all your hand or fingers near the recline mechanism