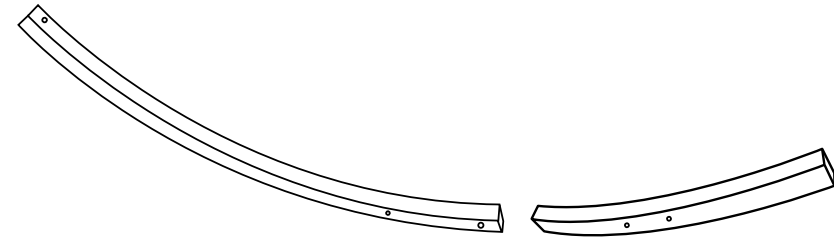


## PARTS LISTS

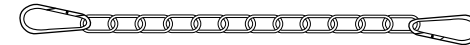


A x 2

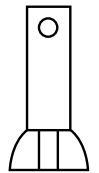
C x 2



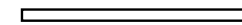
B x 2



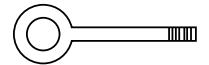
J x 2



L x 2



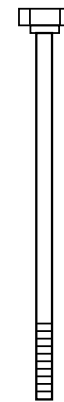
G x 2



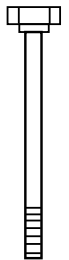
K x 2



E x 14



H x 4



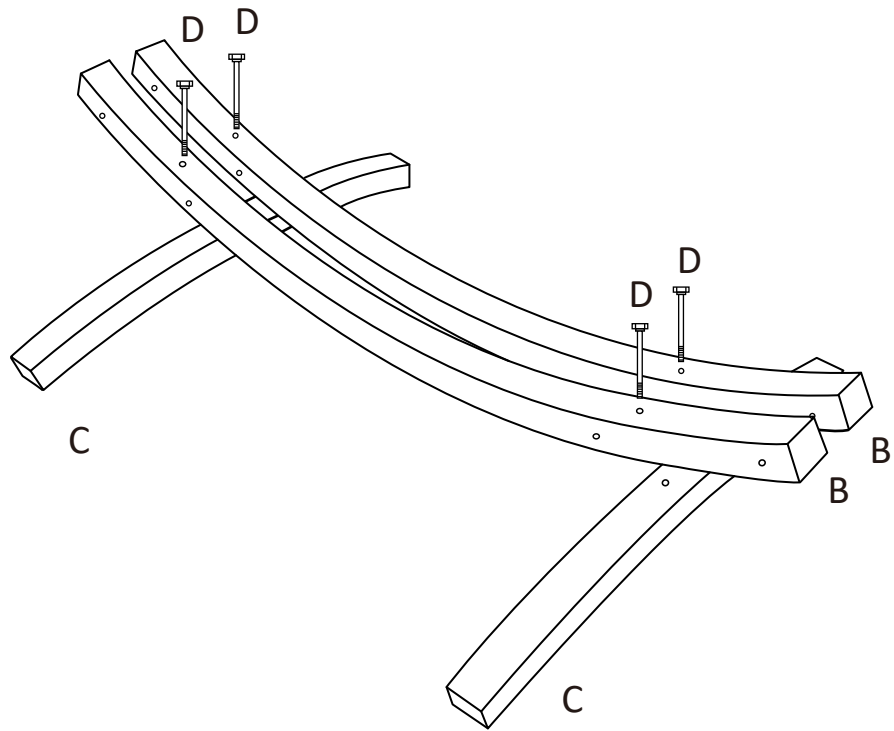
D x 4



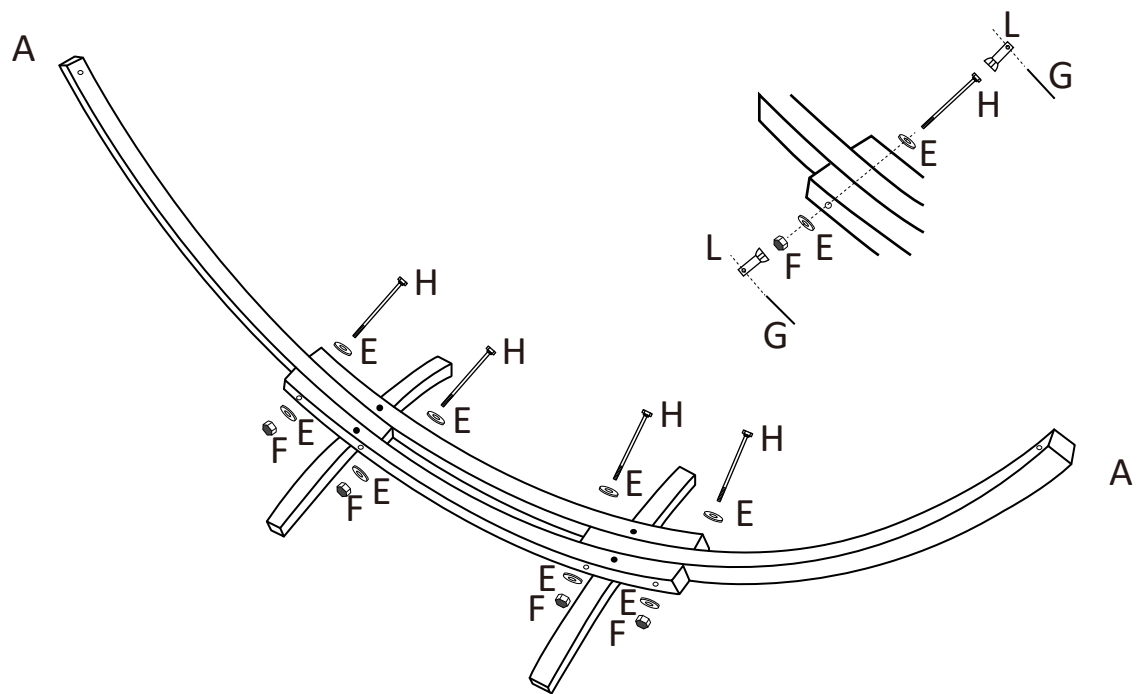
F x 10

**NOTE:** The instruction booklet contains **IMPORTANT** safety information  
Please read and keep for future reference.

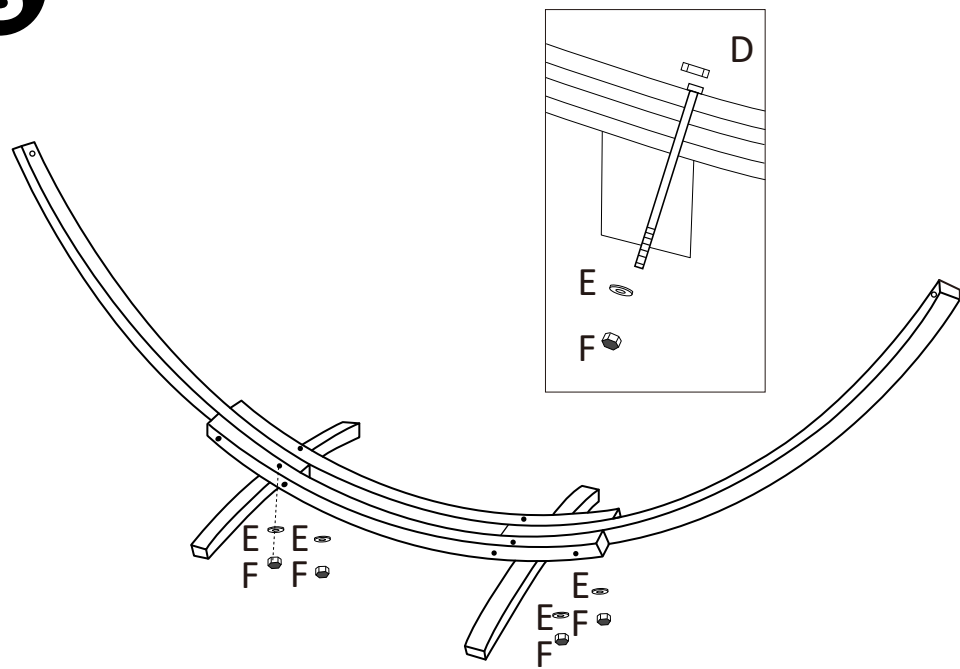
1



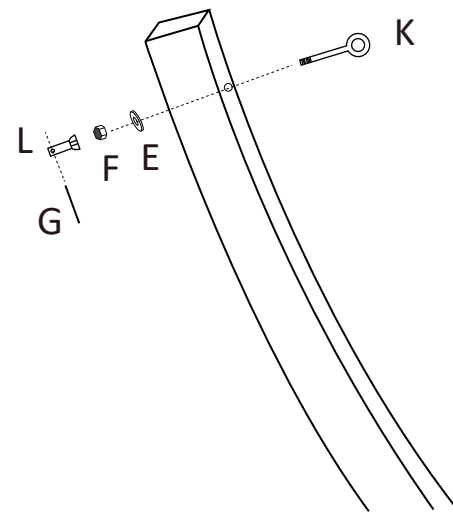
2



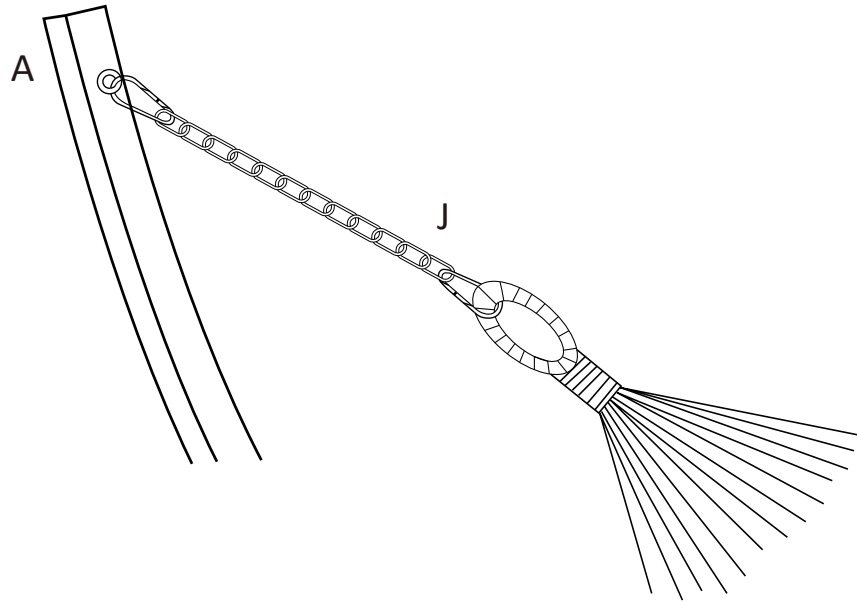
3



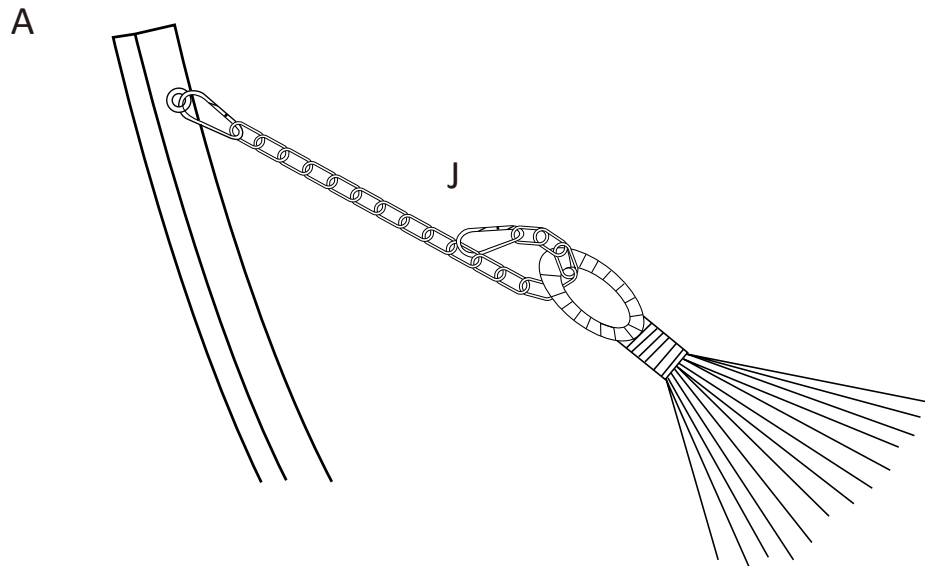
4



5



6



## USAGE

- The maximum load capacity is 400 lbs.
- Please ensure that the hammock stand is used on a flat, level surface.

## CARE

- Store the hammock stand in a cool & dry place when not in use during winter months.
- Your hammock stand is made of high quality material, but for extending the usage life, please keep out of the rain and direct sunlight when the hammock stand is not in use.
- Remove any dirt and moisture before storing the stand.

## IMPORTANT SAFETY INSTRUCTIONS

Failure to follow the safety instructions below could result in serious injuries or property damage.  
Save these instructions for future reference.

## WARNING

- Never place infants or pets on the hammock.
- Never allow young children to use hammock without adult's supervision.
- Never attempt to adjust hammock height or drape it while in use.
- Always inspect your hanging kit, parts, and hammock before each use to ensure safety.