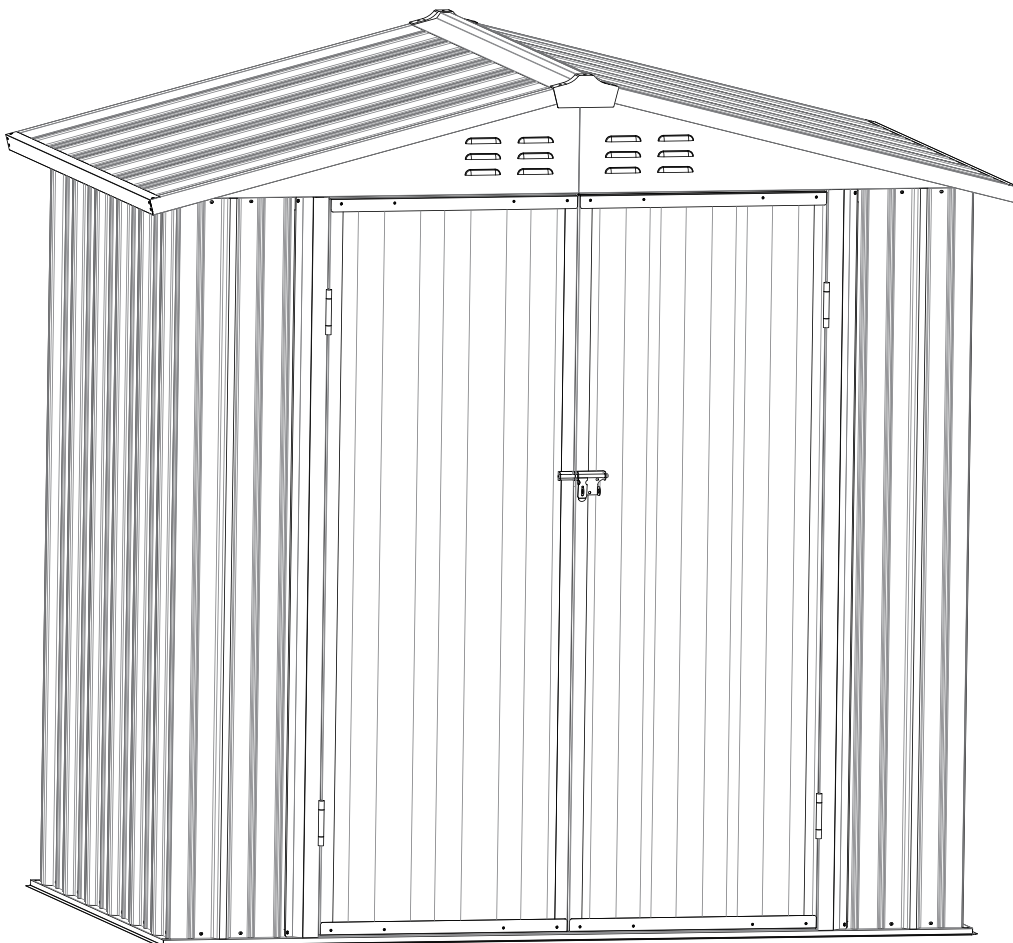



# 6 x 4FT Garden Shed

## Instructions for Assembly



The installation could be finished by two people within 2-3 hours  
You will receive totally 2 boxes, please make sure you get 1x (A) box and 1x (B) box before assembly.

Missing parts, damages, and any problems in the installation process, please contact us by text or email.

 +1(631)306-4783

 [hellovitesse@gmail.com](mailto:hellovitesse@gmail.com)

# Before your begin

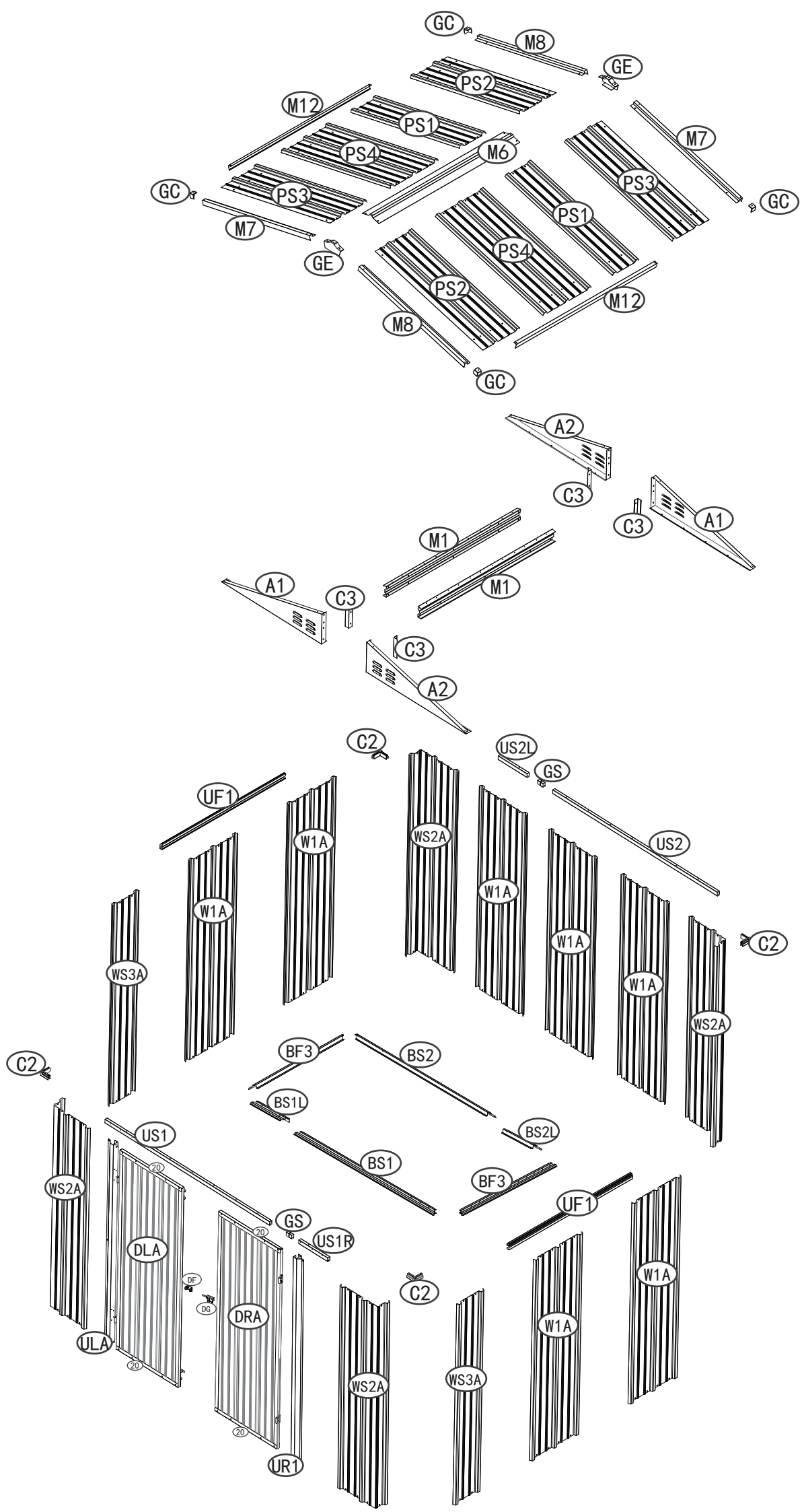
Before installation process, please check local building codes regarding footings, location and other requirements. Make sure you already studied and understood this instruction. Important information and helpful tips will make your installation easier and more enjoyable.

**Tools and Materials:** There are some basic tools and materials you will need for the installation. Please use them in the correct way.



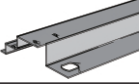
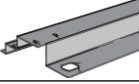
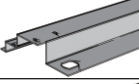
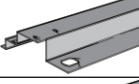
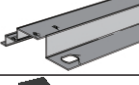

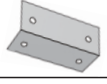


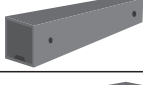
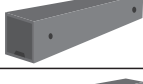
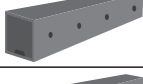
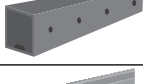


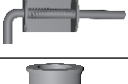
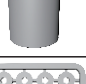

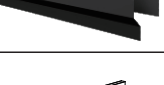
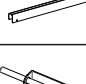

**Assembly Instruction:** There is useful information in this manual and it will help you install the product efficiently. Please review all instructions before installation and follow the steps carefully.




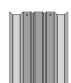



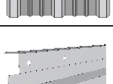
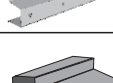
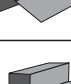
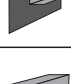
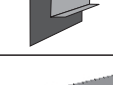
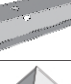
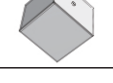



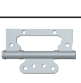
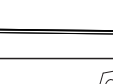
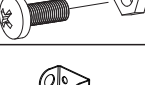
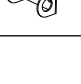
**Parts List:** Ensure that you have all the necessary parts and quantities in your package. Note there are extra parts we supplied for you in case of missing, please just keep them for further use.

**Confirm Diagram:** All parts except screws and bolts are shown in this diagram, please review and familiar with all parts before you begin, make sure that there are no parts lost.



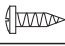


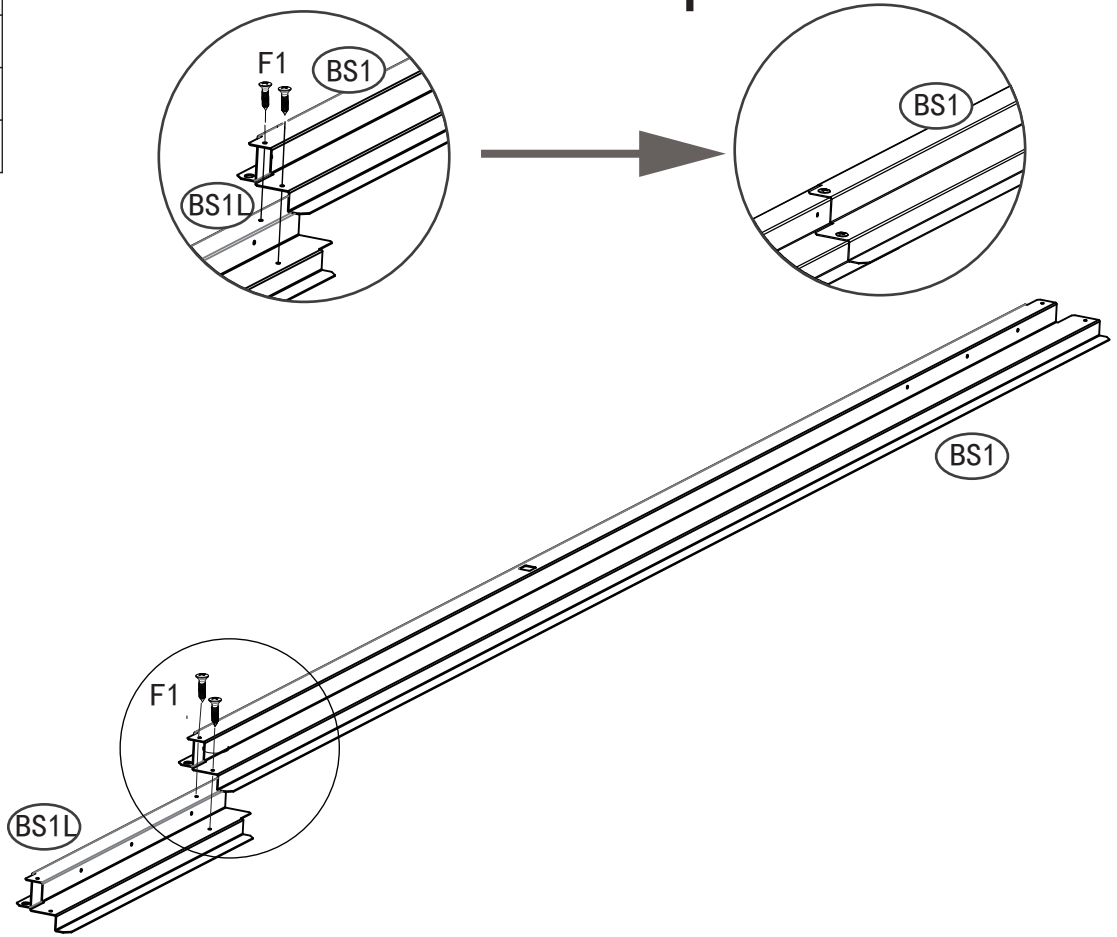
# Parts list




PART	NO.	Qty.
	A1	2
	A2	2
	BS1	1
	BS1L	1
	BS2	1
	BS2L	1
	BF3	2
	C2	4
	C3	4
	DRA	1
	DLA	1
	US1	1
	US1R	1
	US2	1
	US2L	1
	UF1	2
	ULA	1
	DC	2
	V1	50
	V2	200
	UR1	1
	20	4
	DG	1

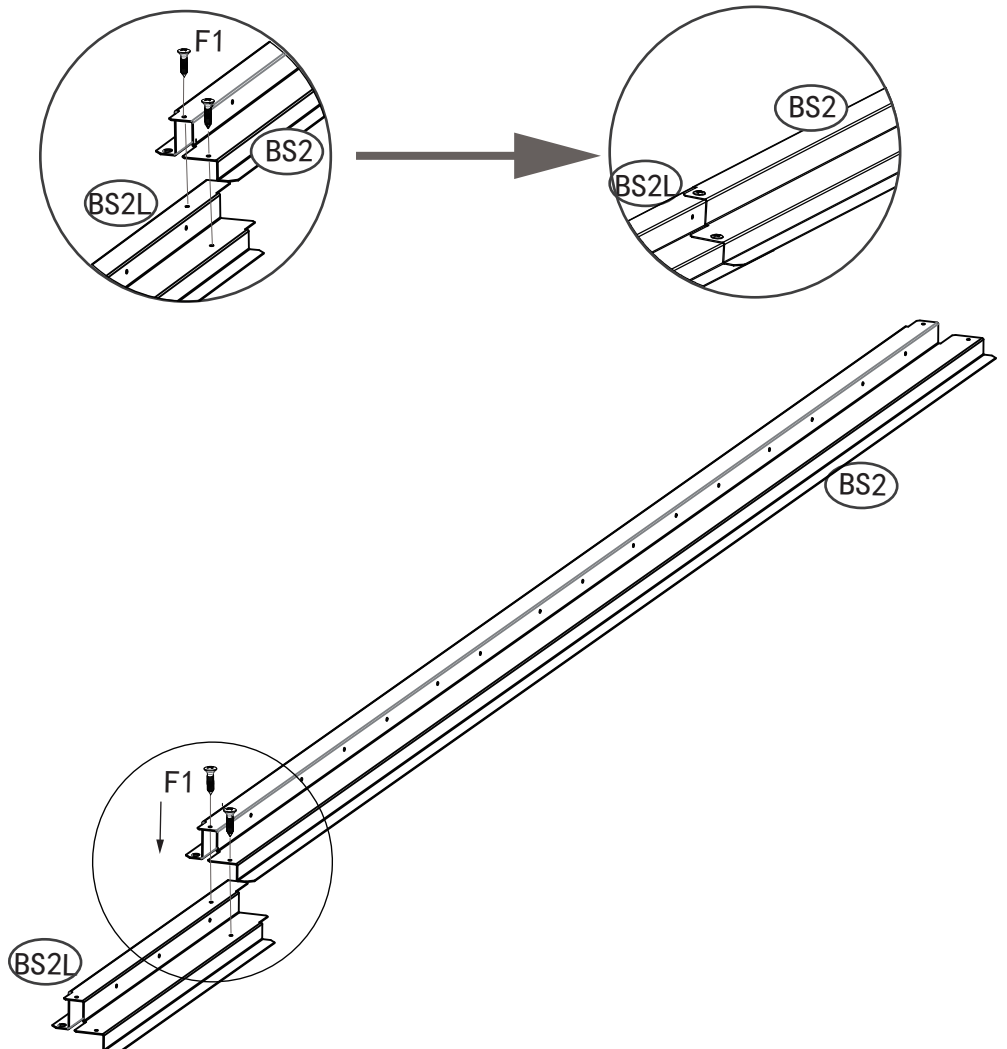
PART	NO.	Qty.
	W1A	7
	WS2A	4
	WS3A	2
	PS1	2
	PS2	2
	PS3	2
	PS4	2
	M1	2
	M6	1
	M7	2
	M8	2
	M12	2
	GC	4
	GE	2
	GS	2
	F1	208
	F2	14
	F3	32
	DH	4
	DX2	4
	F4	5
	DF	1


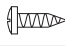
# Installation steps

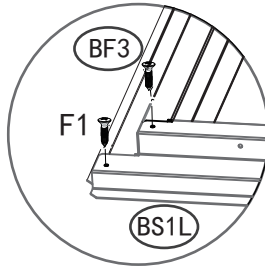
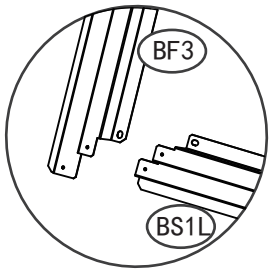
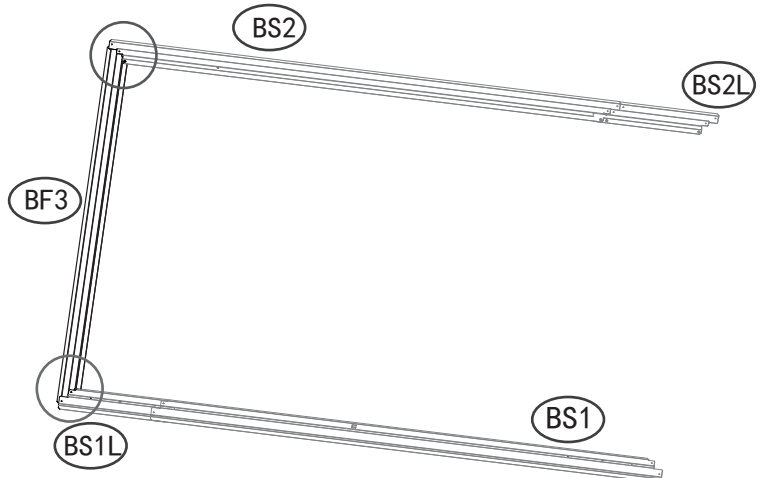
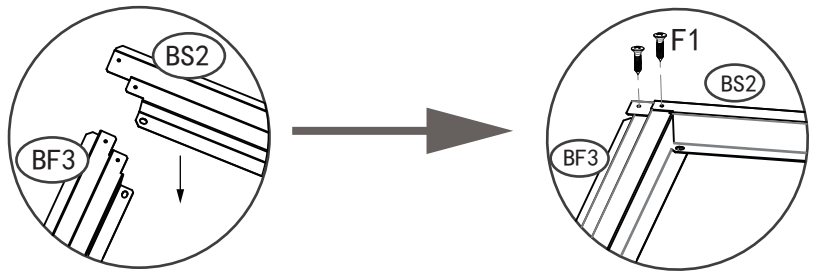
PART	NO.	Qty.
	BS1	1
	BS1L	1
	F1	2





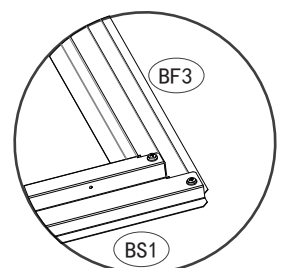
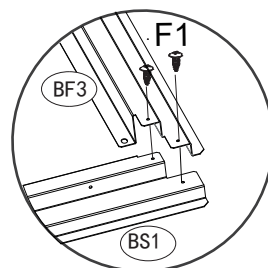
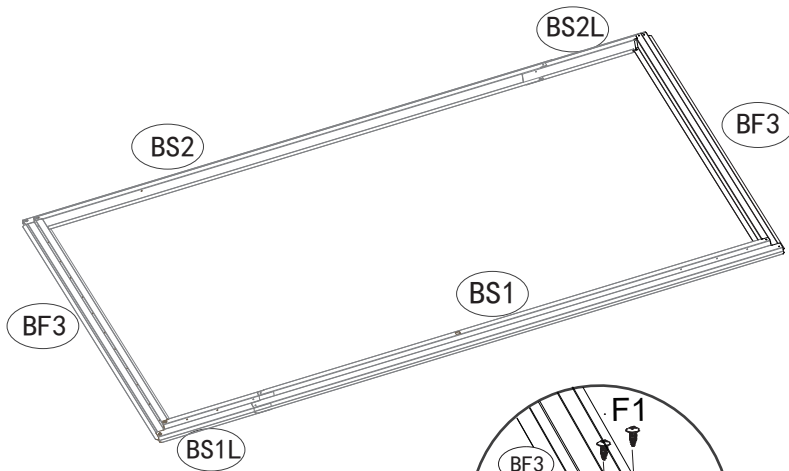
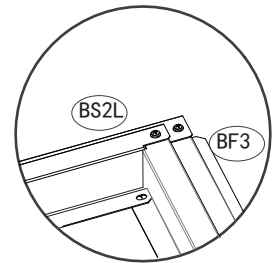
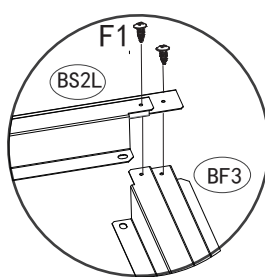
PART	NO.	Qty.
	BS2	1
	BS2L	1
	F1	2

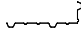

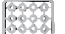


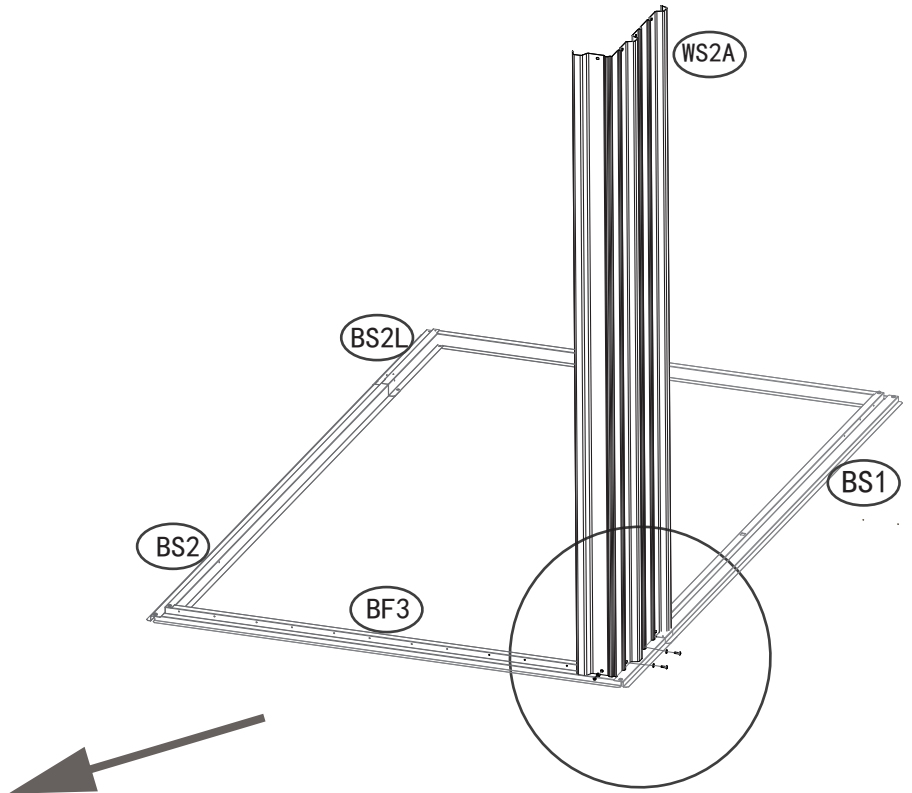
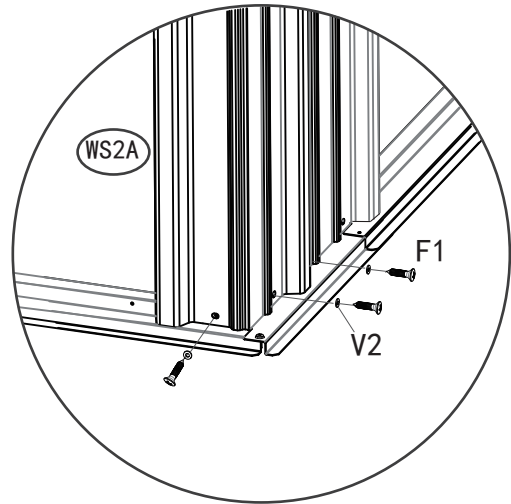
PART	NO.	Qty.
	BF3	1
	F1	4


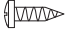



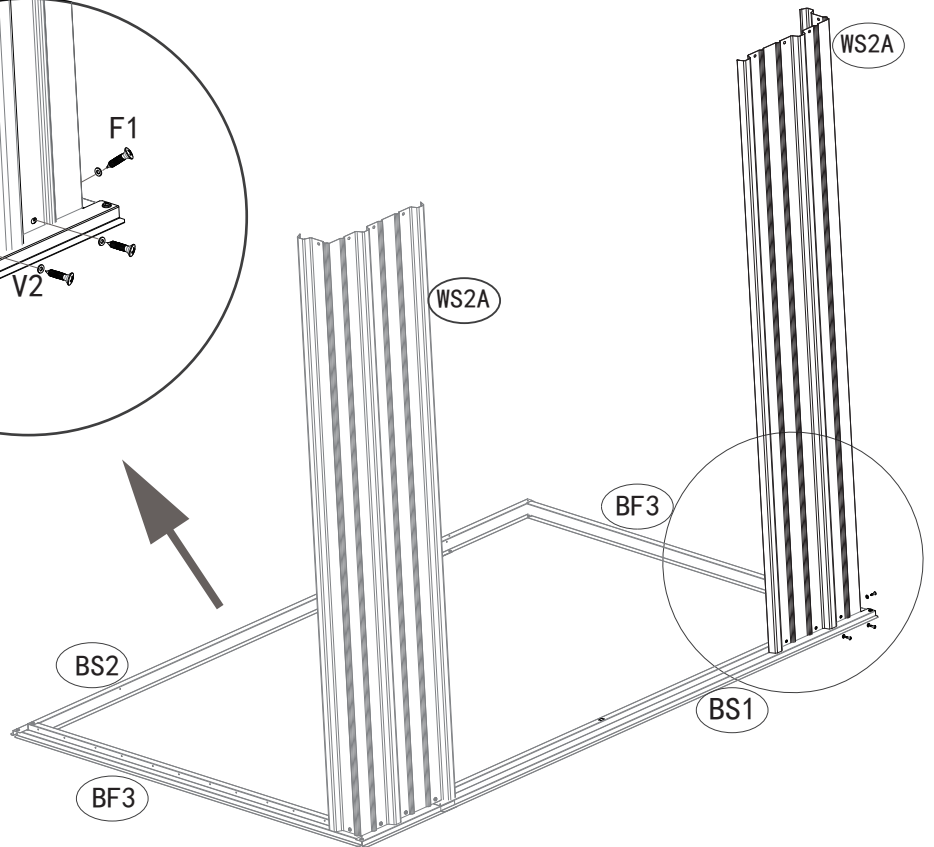
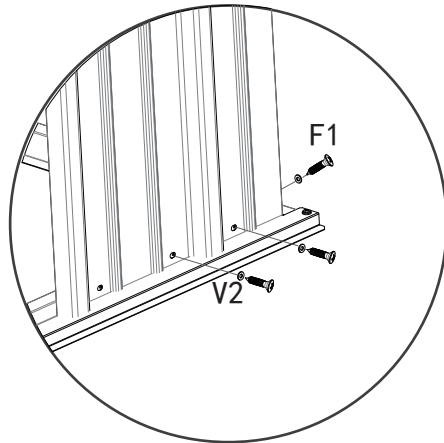
PART	NO.	Qty.
	BF3	1
	F1	4

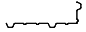
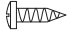



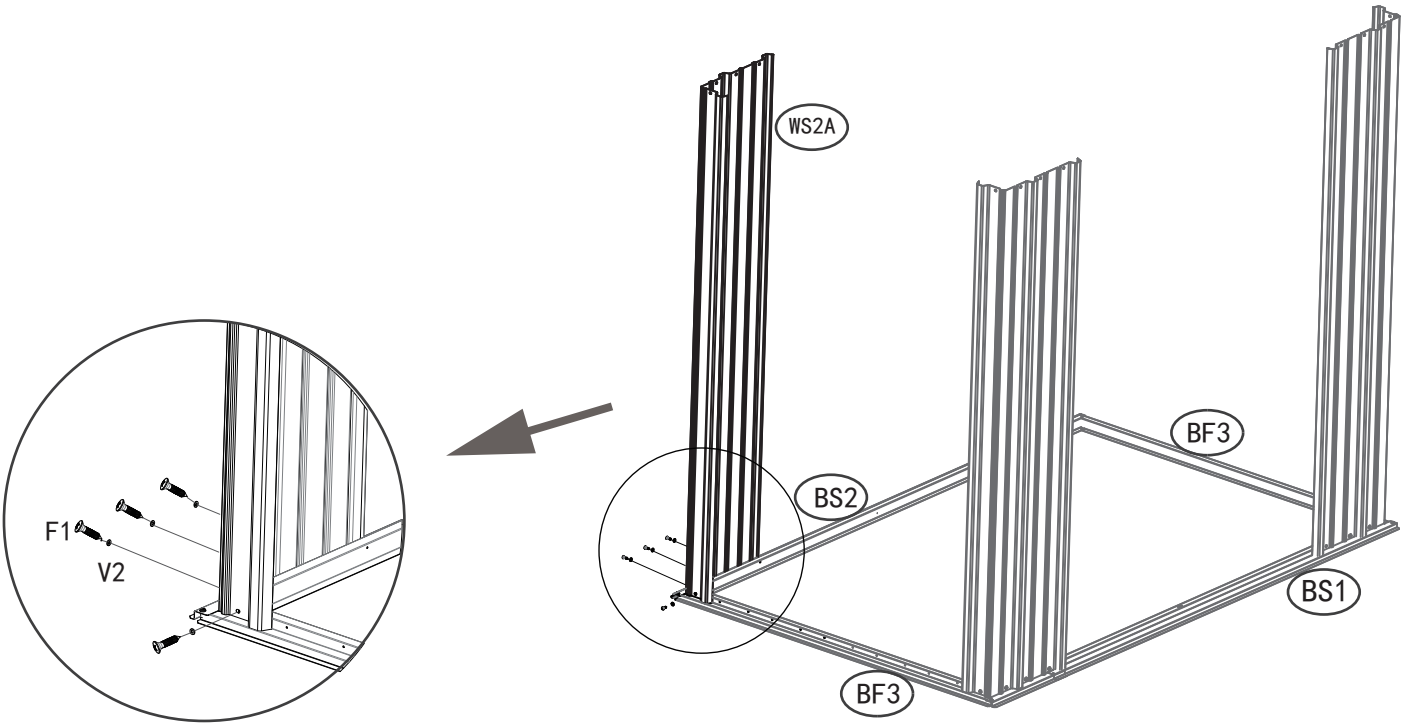
PART	NO.	Qty.
	WS2A	1
	F1	3
	V2	3






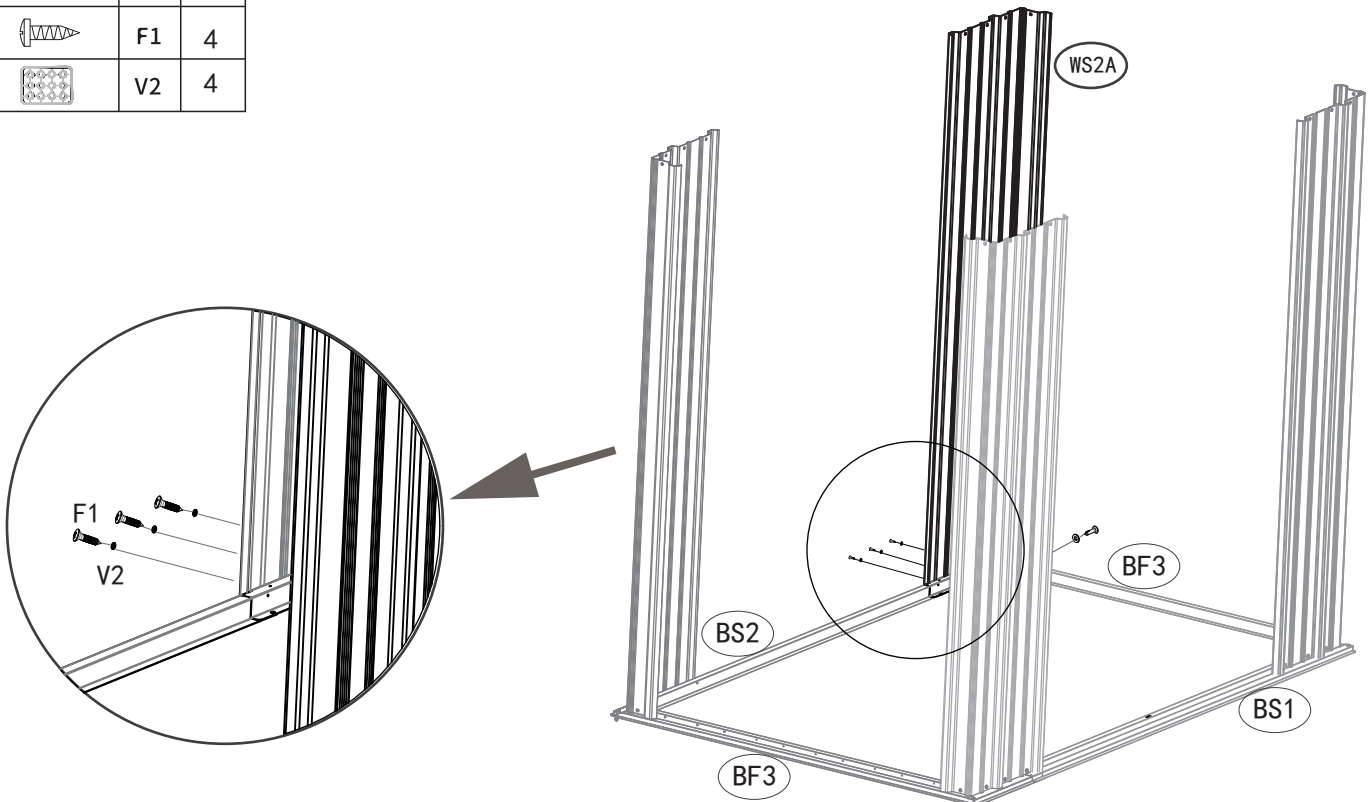
PART	NO.	Qty.
	WS2A	1
	F1	3
	V2	3



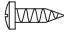



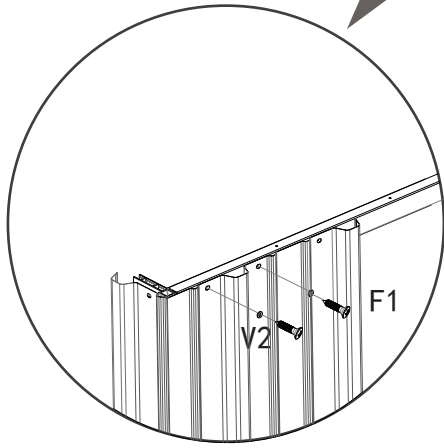
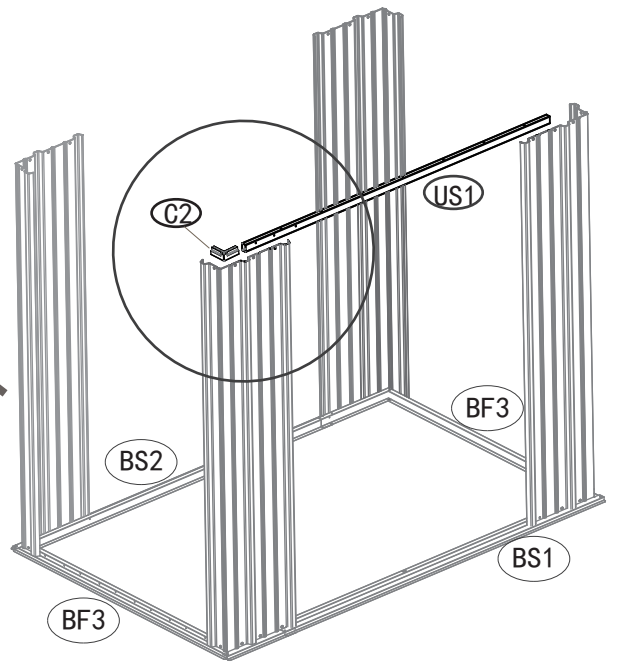
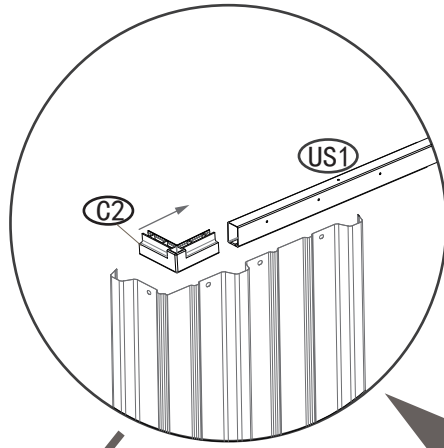
PART	NO.	Qty.
	WS2A	1
	F1	4
	V2	4








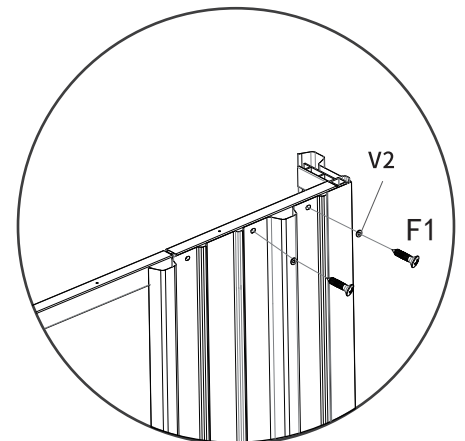
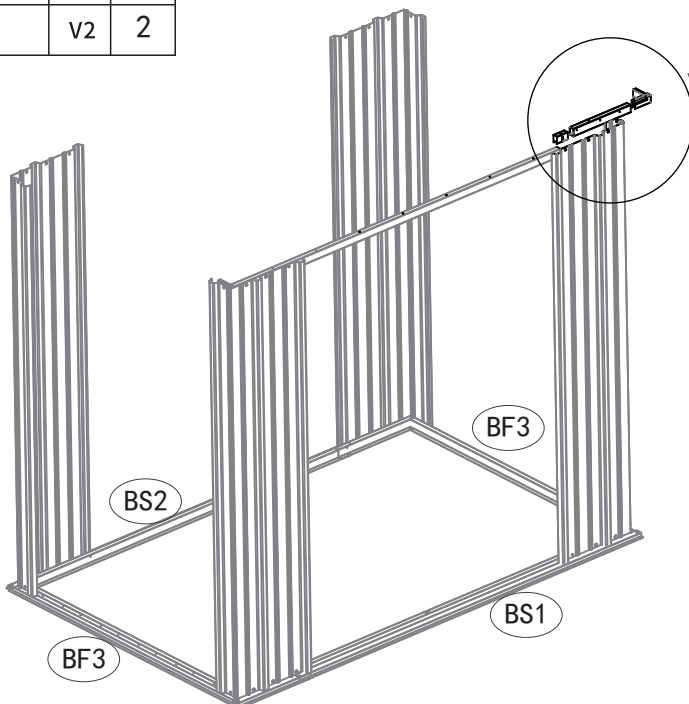
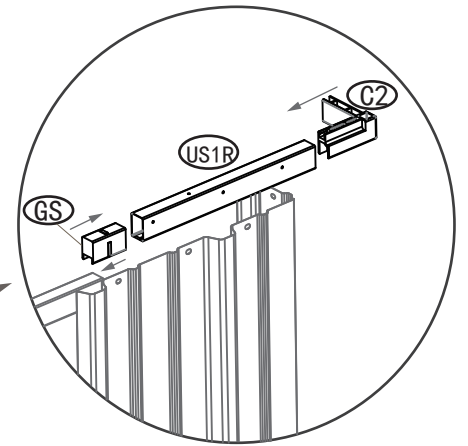
PART	NO.	Qty.
	WS2A	1
	F1	4
	V2	4



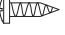



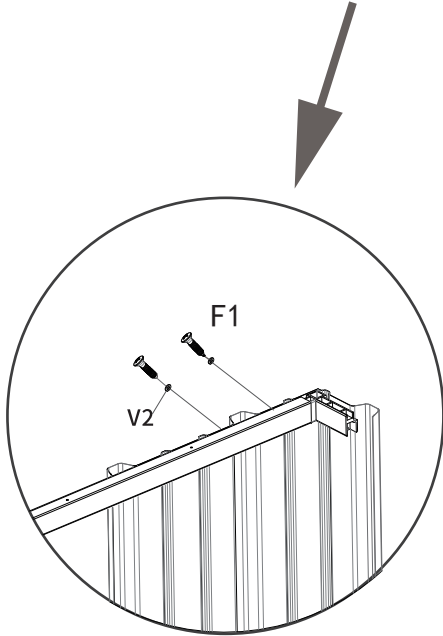
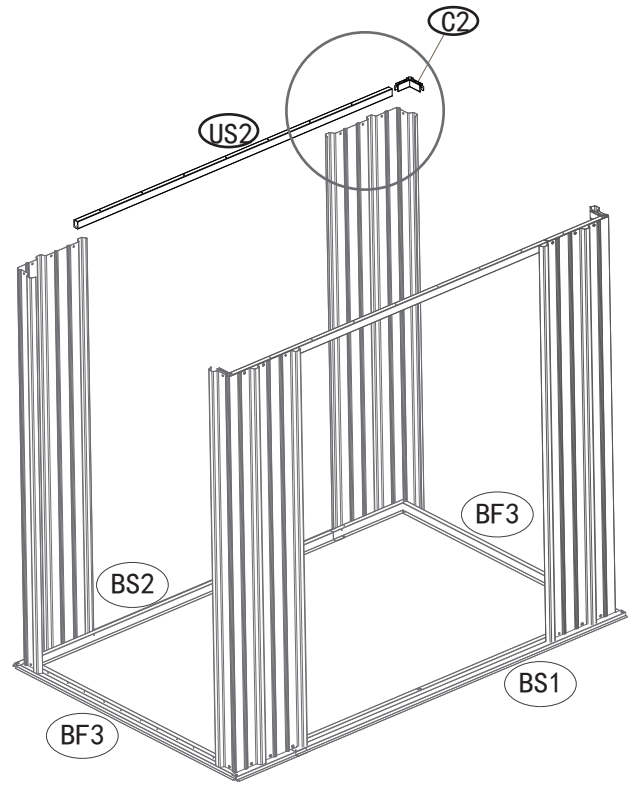
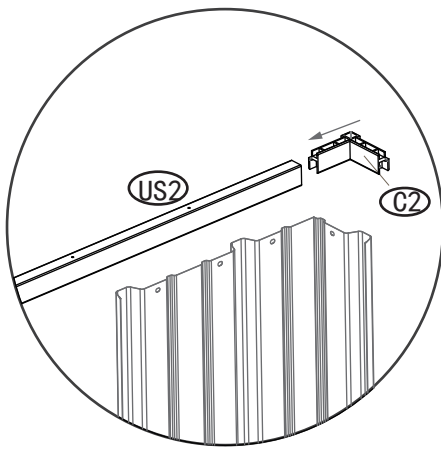
PART	NO.	Qty.
	US1	1
	C2	1
	F1	2
	V2	2








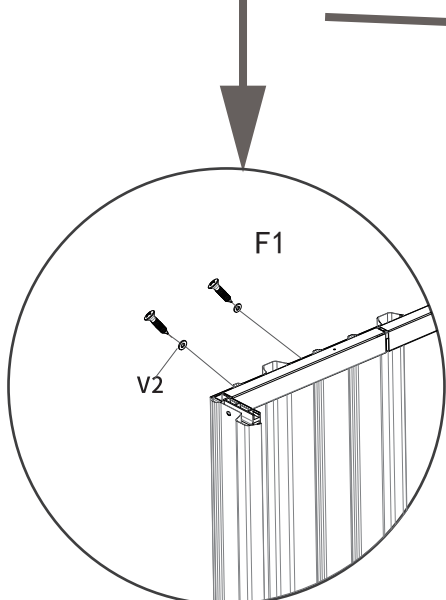
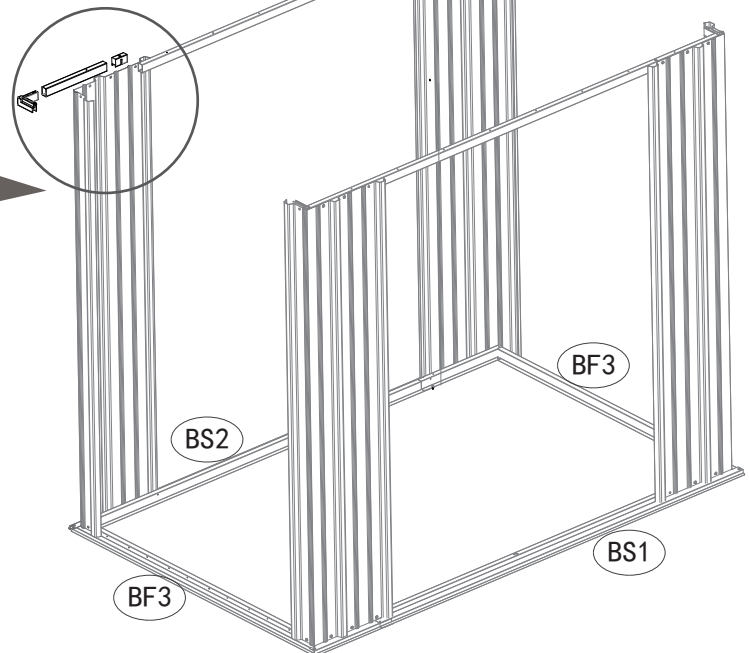
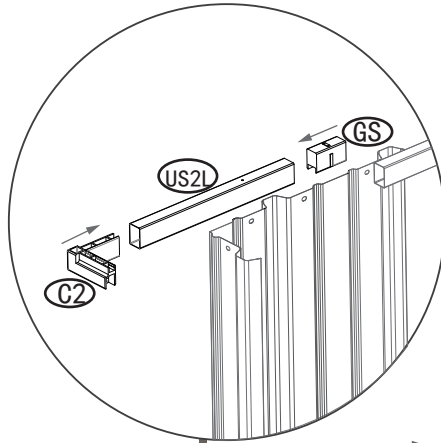
PART	NO.	Qty.
	US1R	1
	C2	1
	GS	1
	F1	2
	V2	2






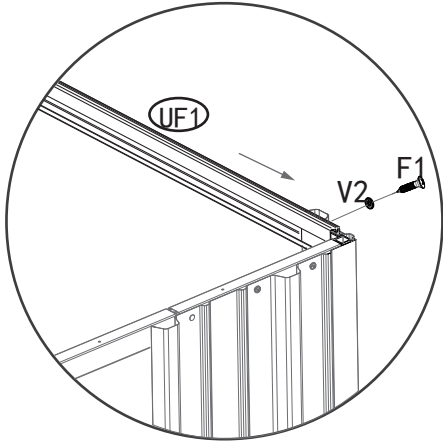
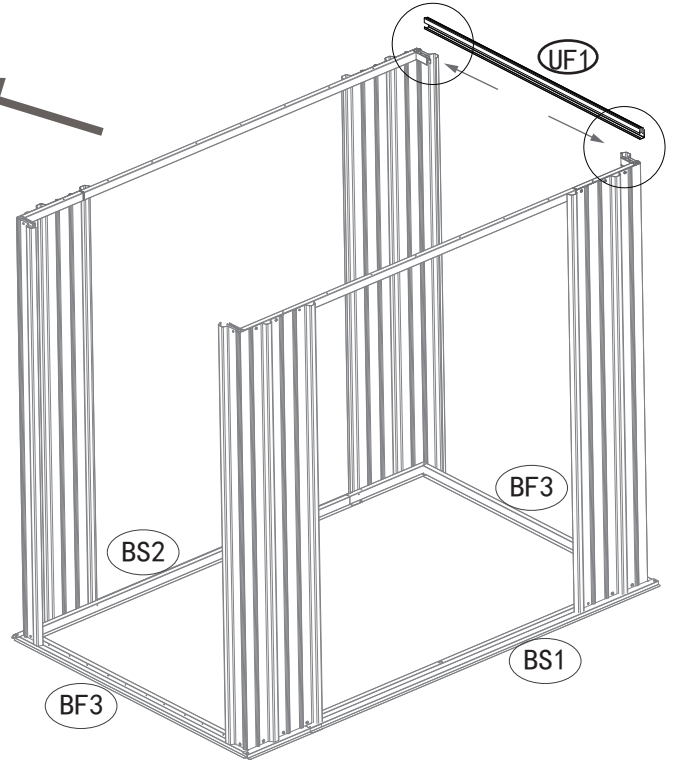
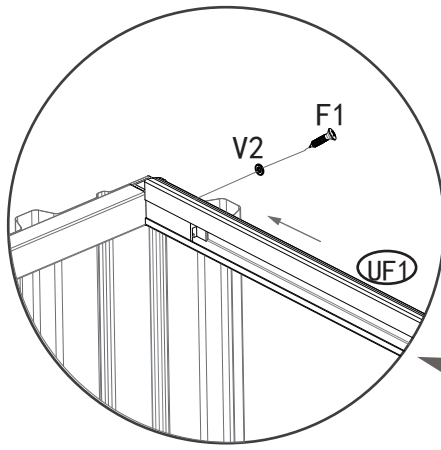
PART	NO.	Qty.
	US2	1
	C2	1
	F1	2
	V2	2


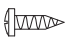



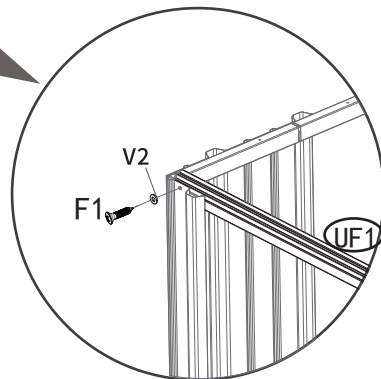
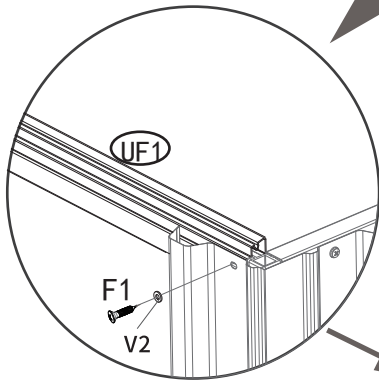
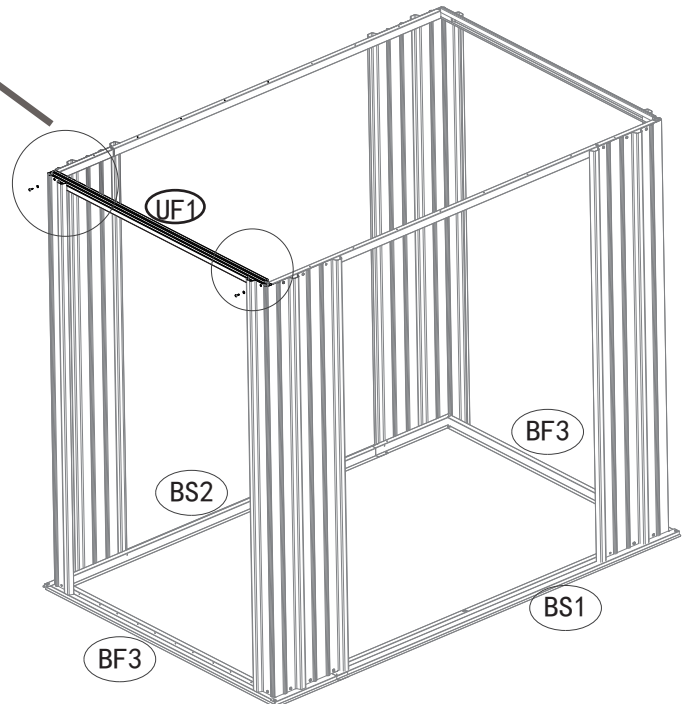
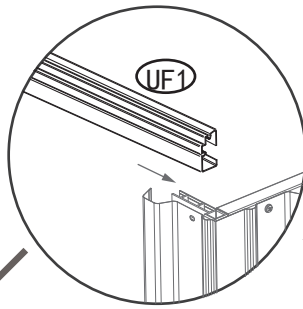
PART	NO.	Qty.
	US2L	1
	C2	1
	GS	1
	F1	2
	V2	2






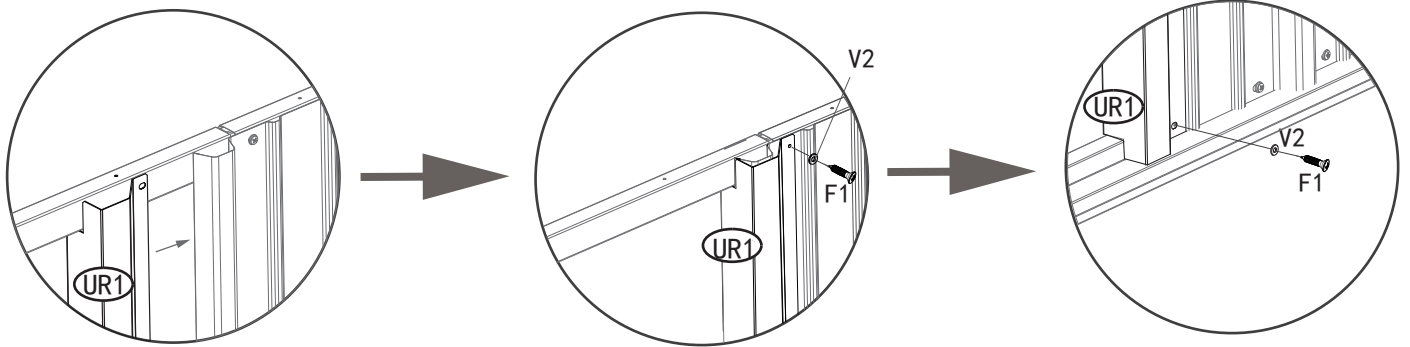
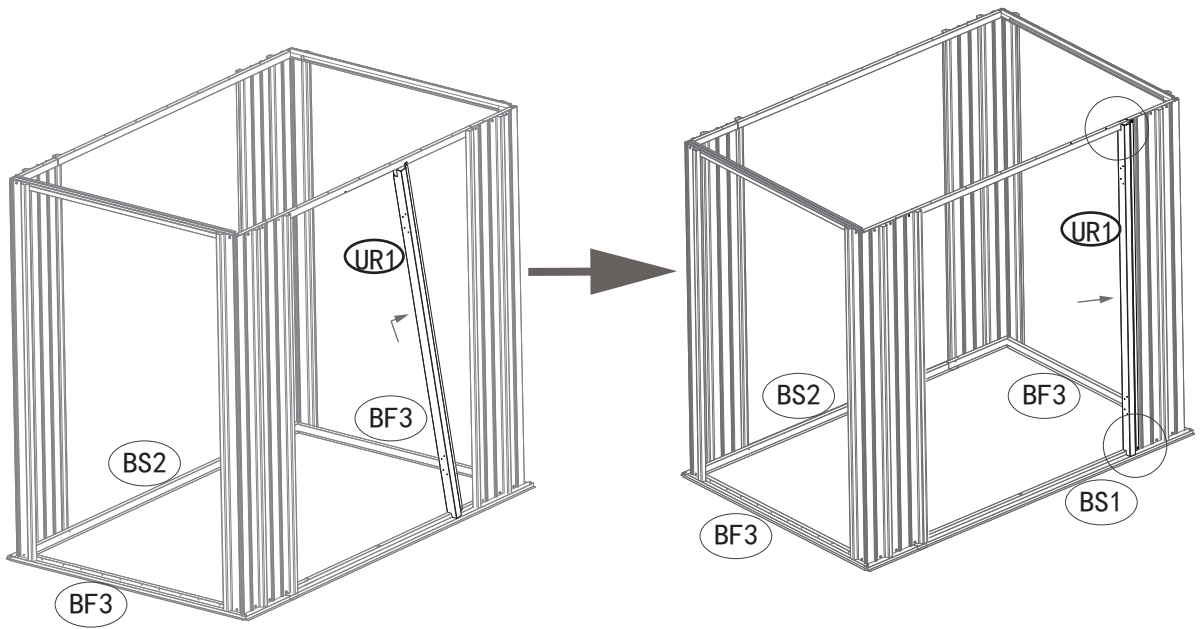
PART	NO.	Qty.
	UF1	1
	F1	2
	V2	2


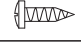



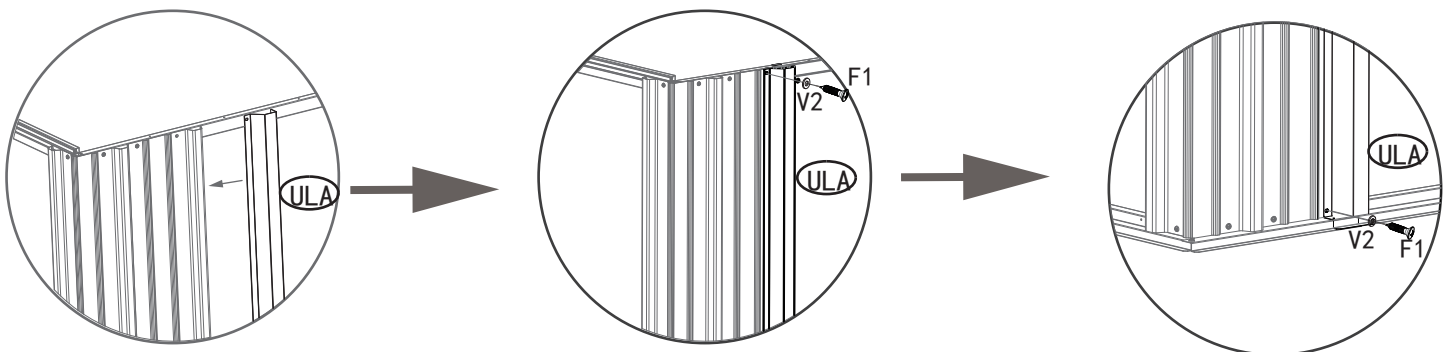
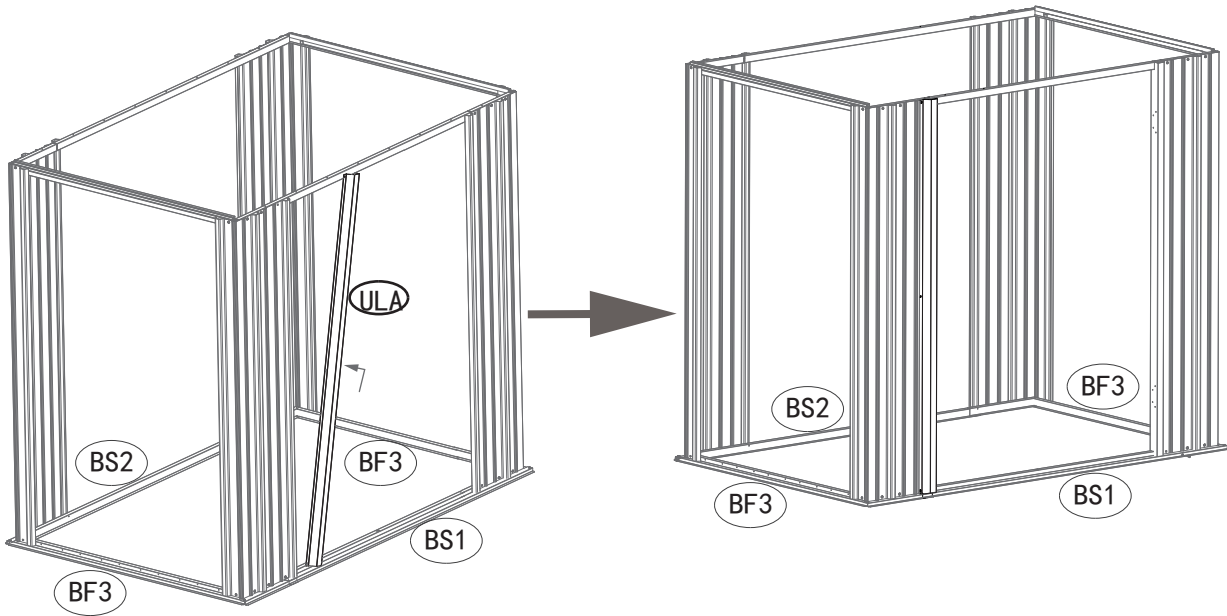
PART	NO.	Qty.
	UF1	1
	F1	2
	V2	2

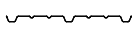
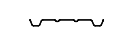
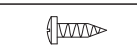



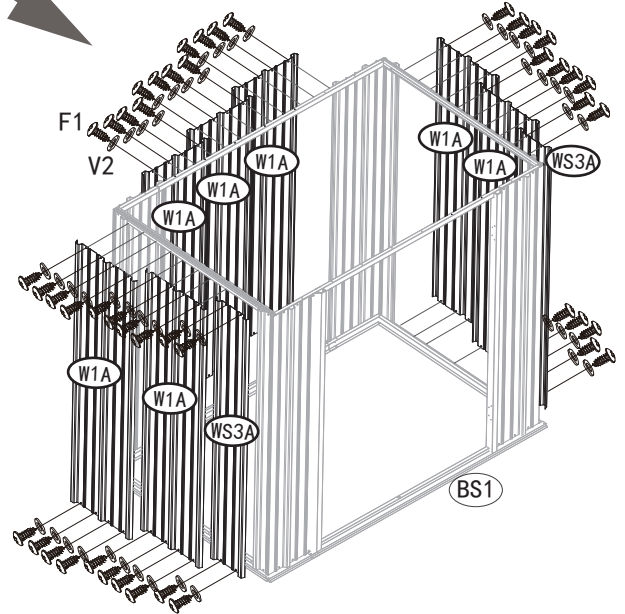
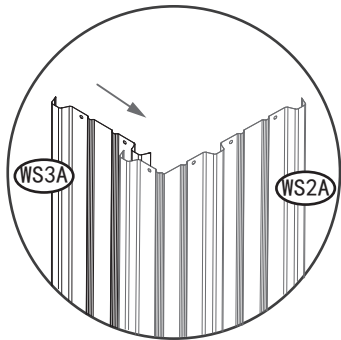
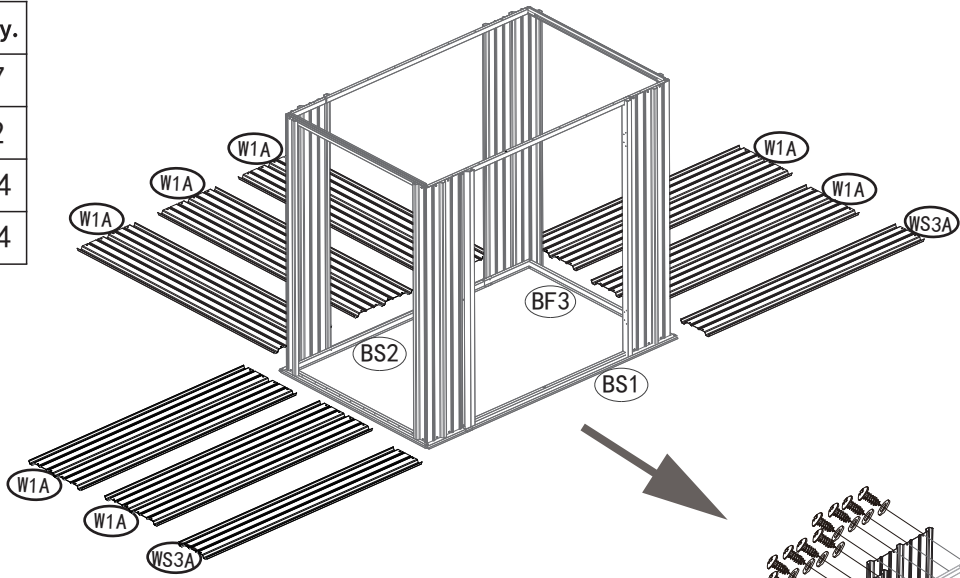
PART	NO.	Qty.
	UR1	1
	F1	2
	V2	2


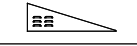




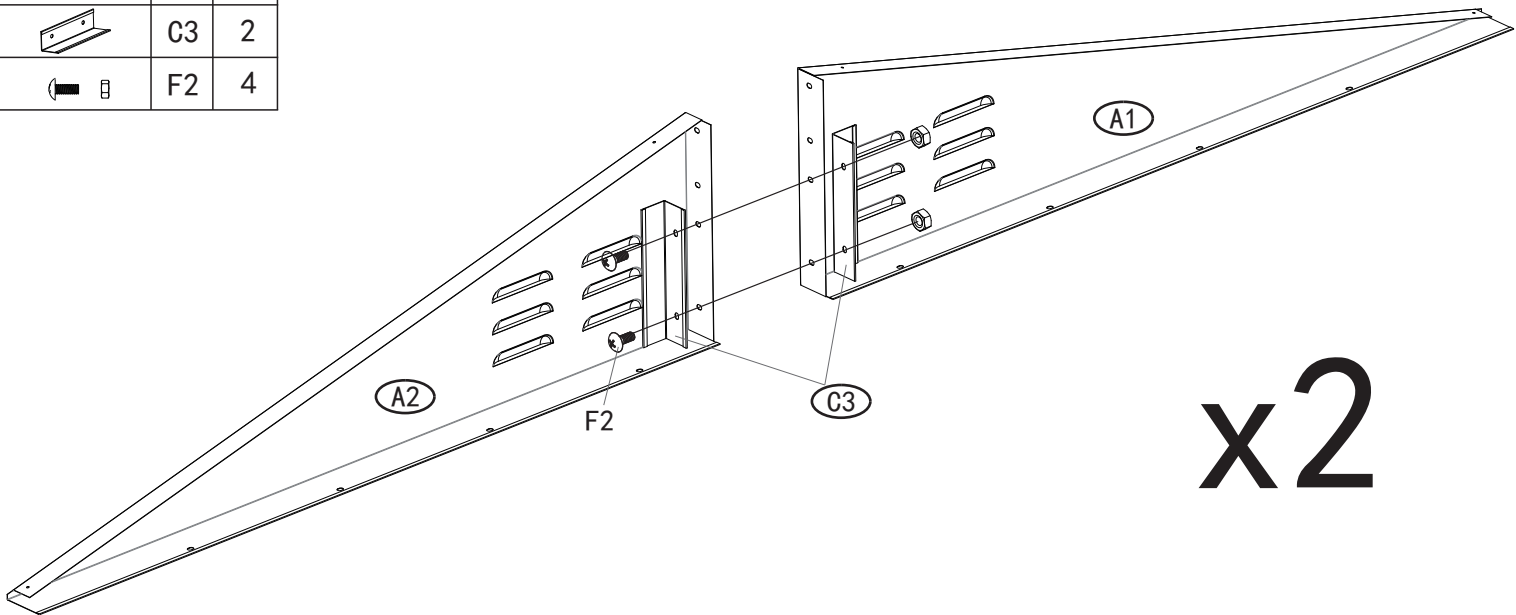
PART	NO.	Qty.
	ULA	1
	F1	2
	V2	2





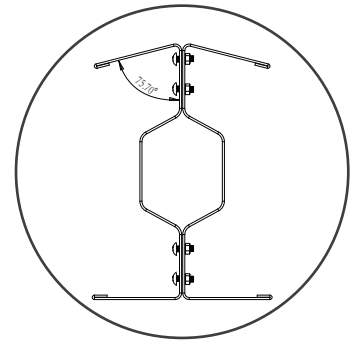
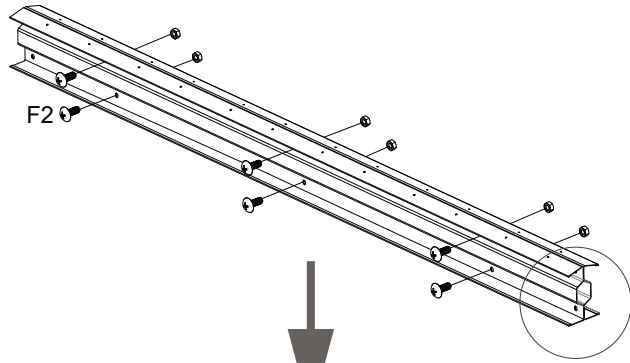
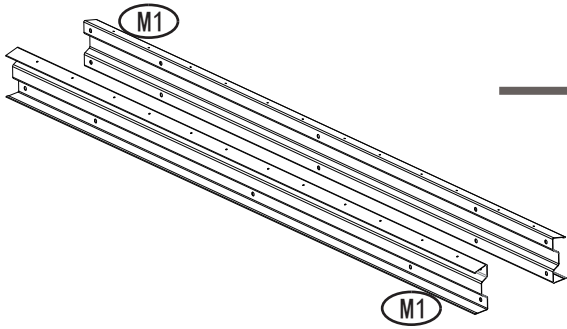
PART	NO.	Qty.
	W1A	7
	WS3A	2
	F1	64
	V2	64




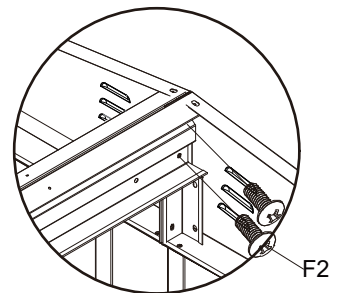
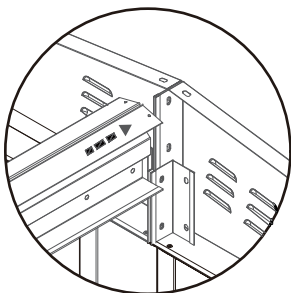
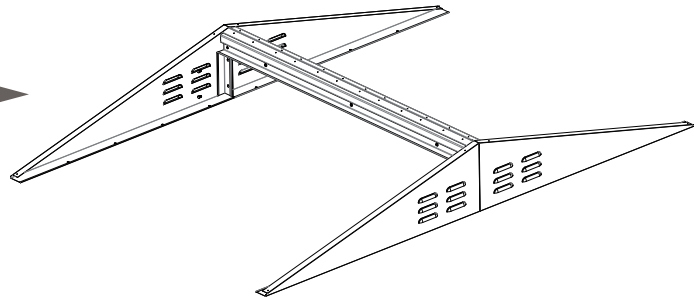
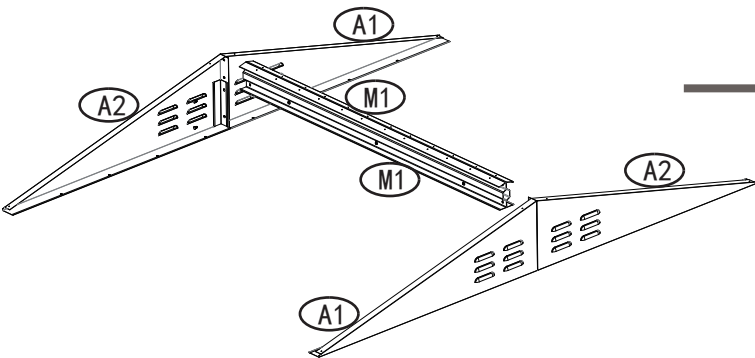
PART	NO.	Qty.
	A1	1
	A2	1
	C3	2
	F2	4

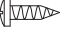


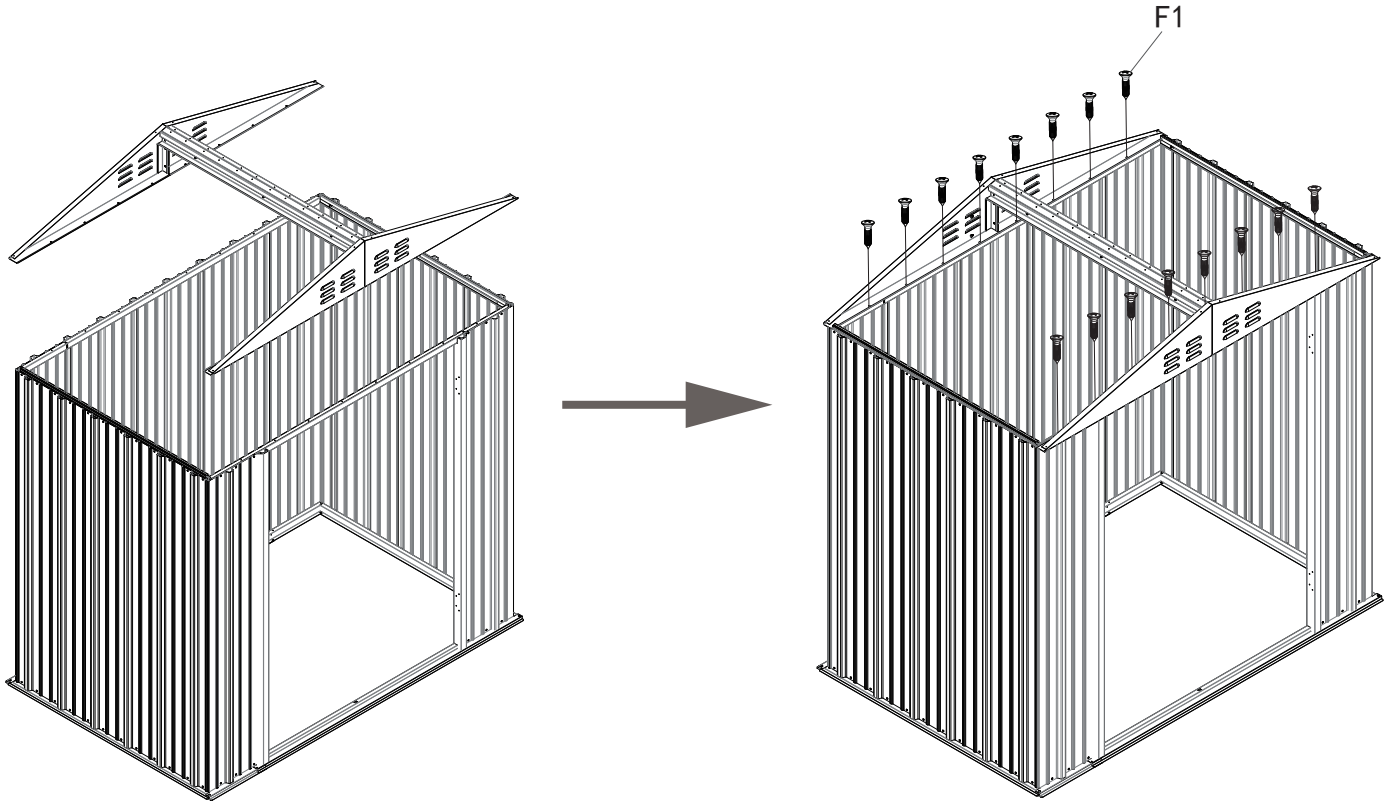
PART	NO.	Qty.
	M1	2
	F2	6

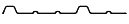
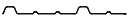
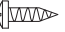



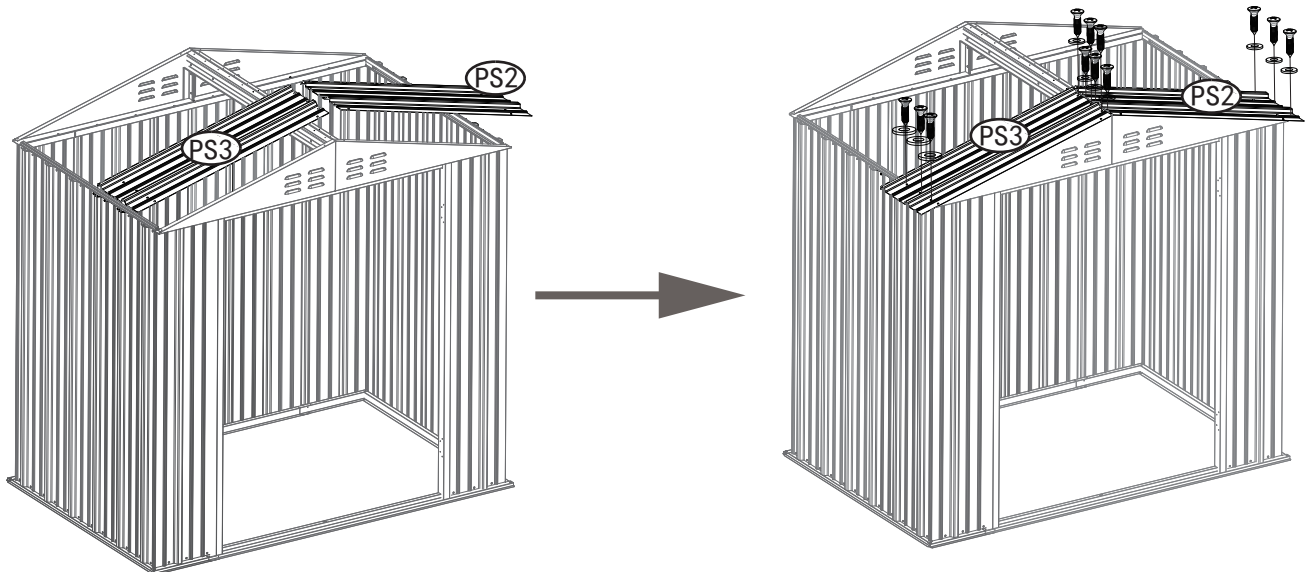
PART	NO.	Qty.
	F2	4

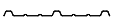
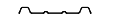
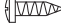
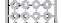


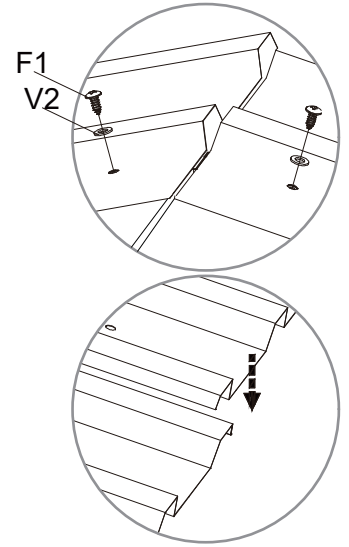
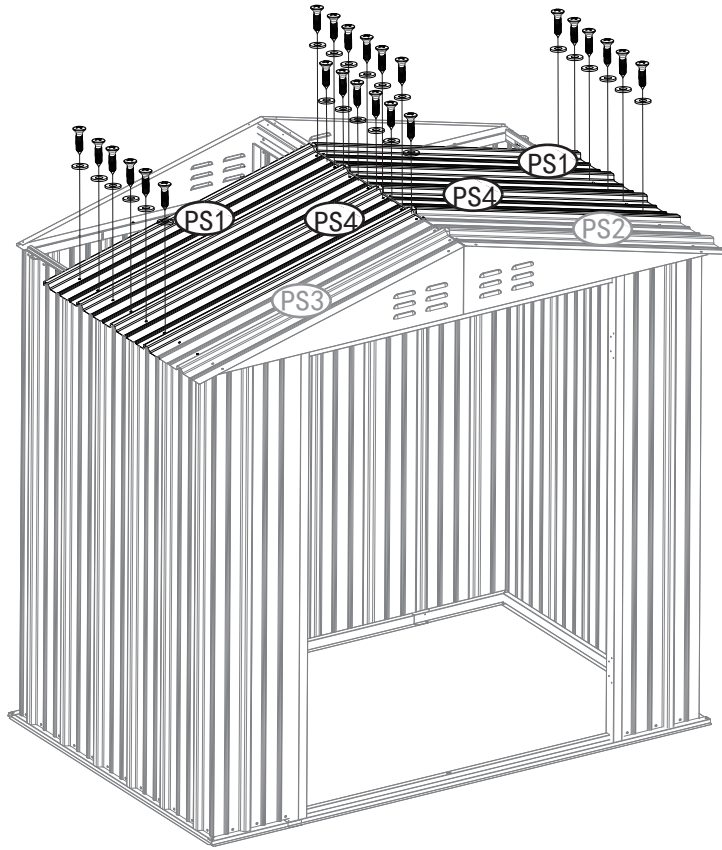
PART	NO.	Qty.
	F1	16

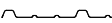
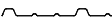




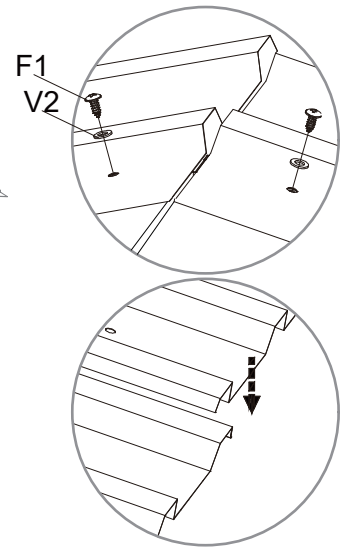
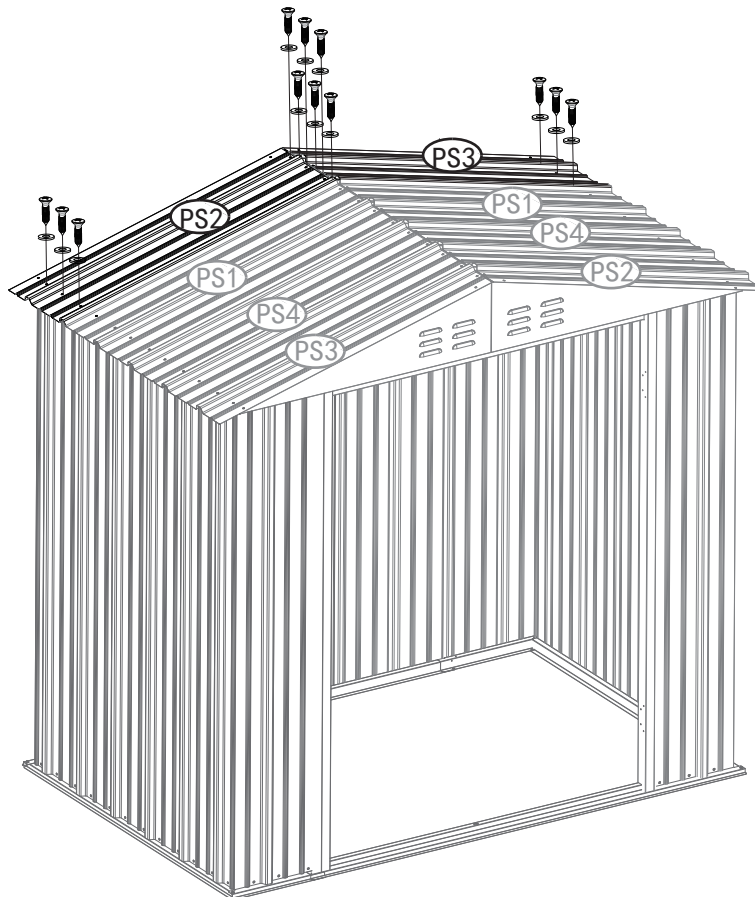
PART	NO.	Qty.
	PS2	1
	PS3	1
	F1	12
	V2	12

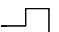
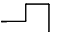




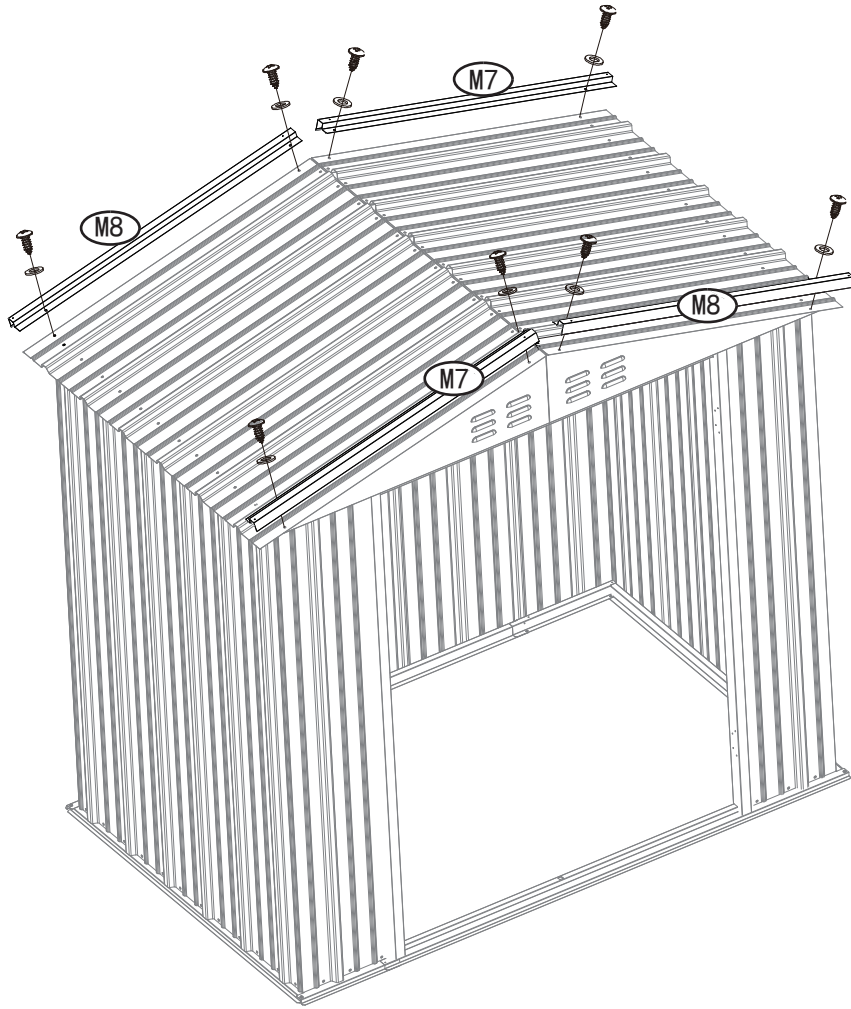
PART	NO.	Qty.
	PS4	2
	PS1	2
	F1	12
	V2	12







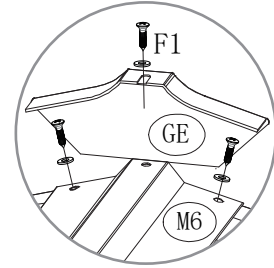
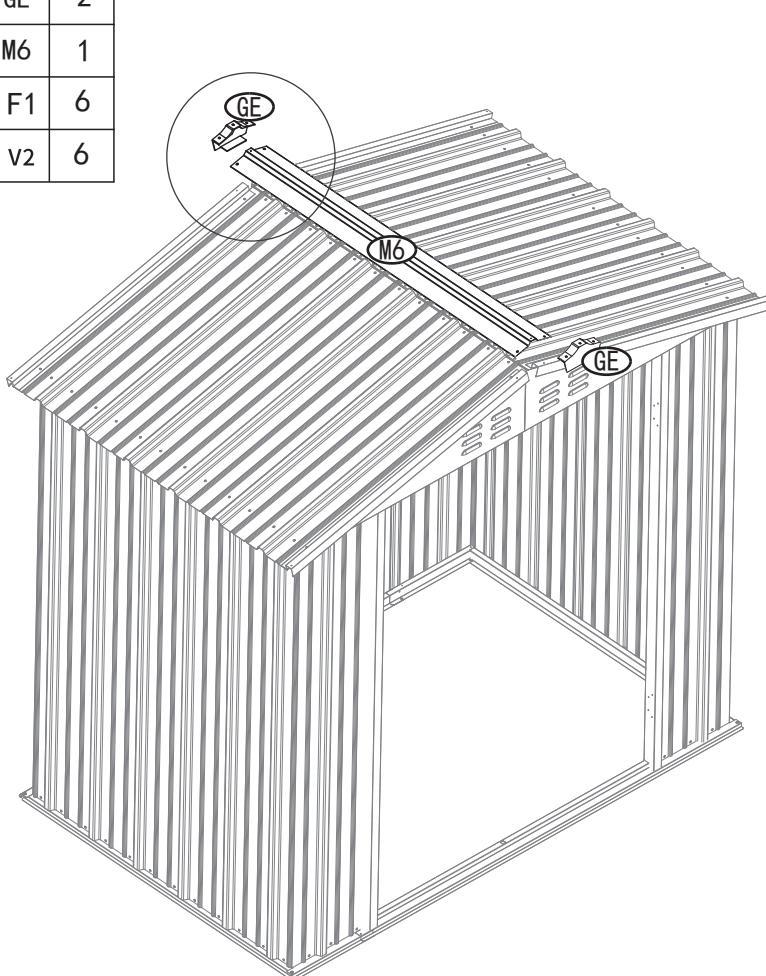
PART	NO.	Qty.
	PS2	1
	PS3	1
	F1	12
	V2	12







PART	NO.	Qty.
	M7	2
	M8	2
	F1	8
	V2	8

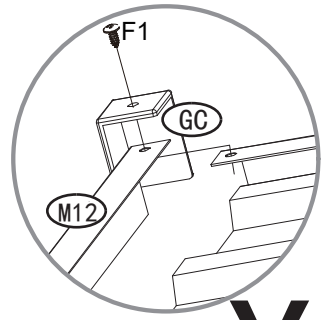
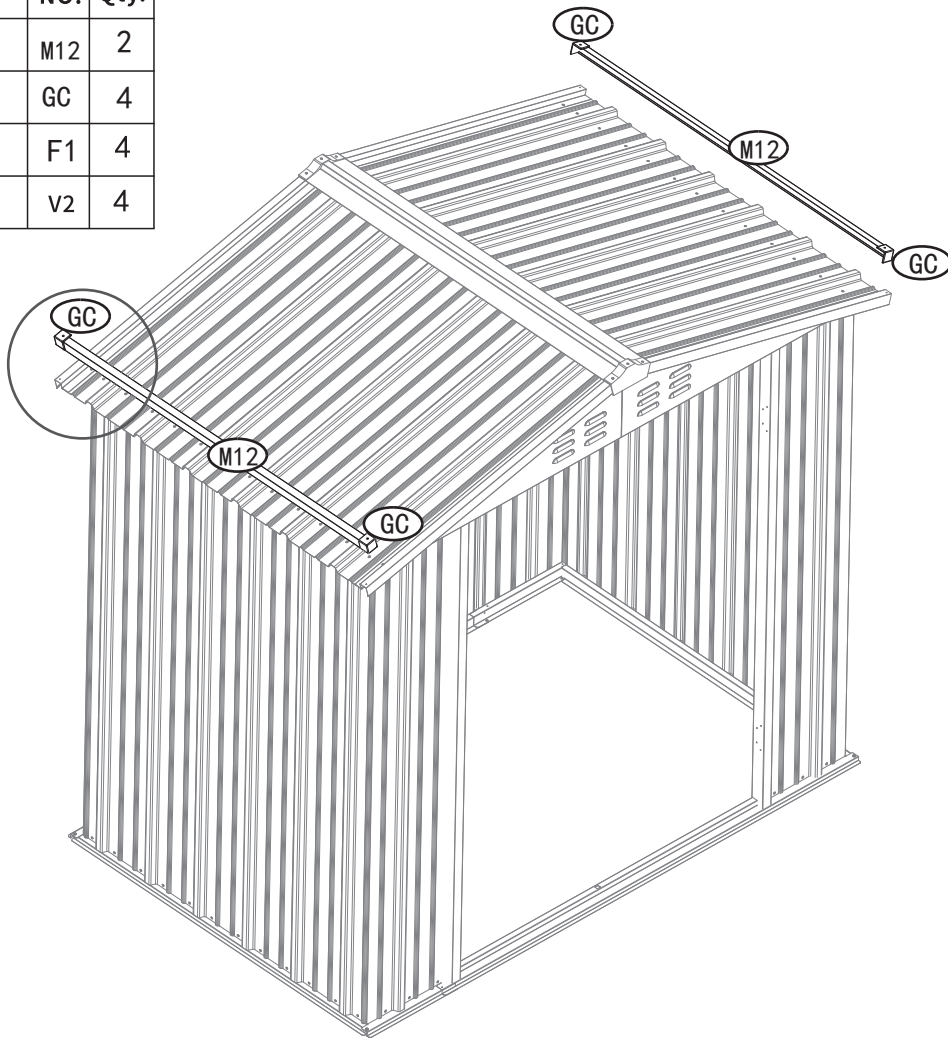


PART	NO.	Qty.
	GE	2
	M6	1
	F1	6
	V2	6

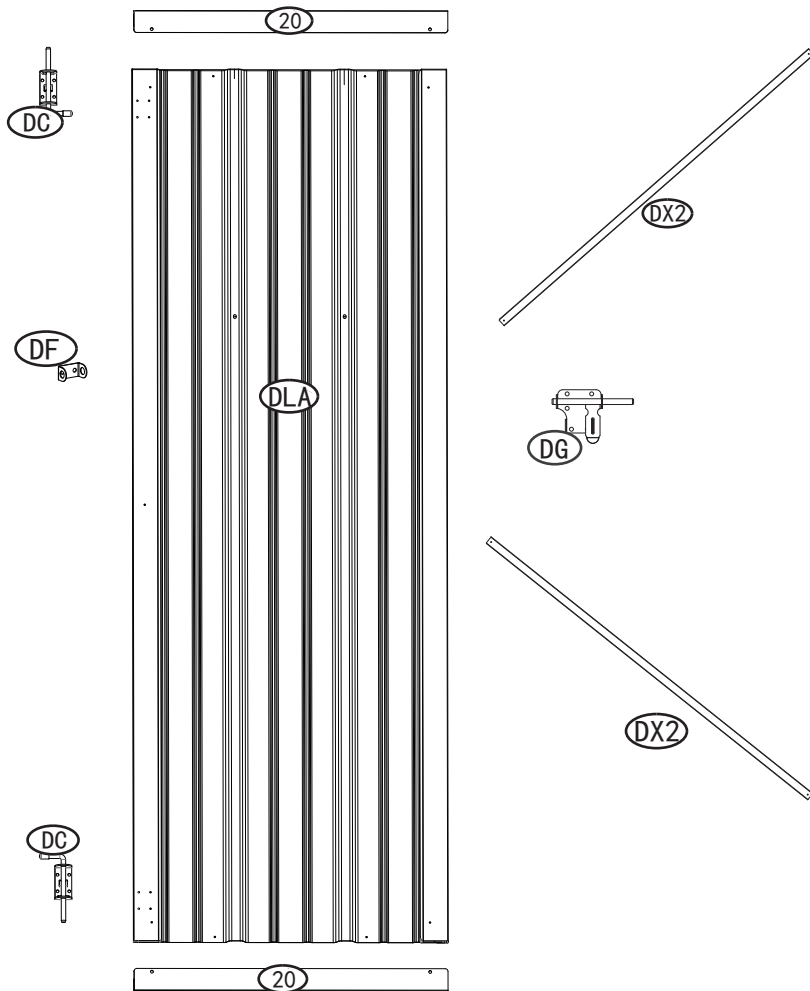





**X2**

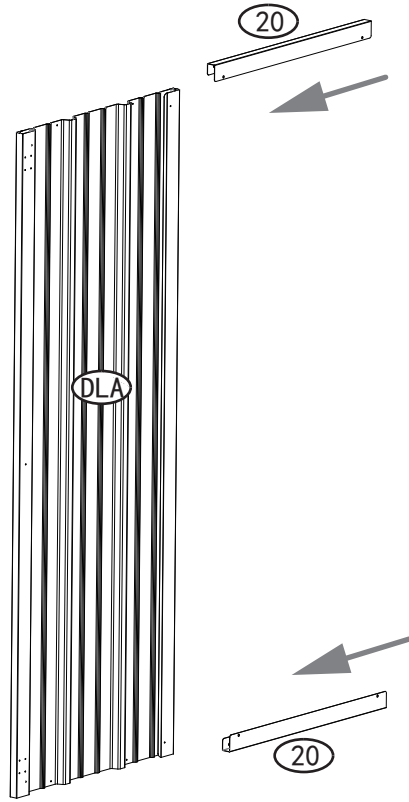
PART	NO.	Qty.
	M12	2
	GC	4
	F1	4
	V2	4





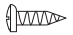
X4

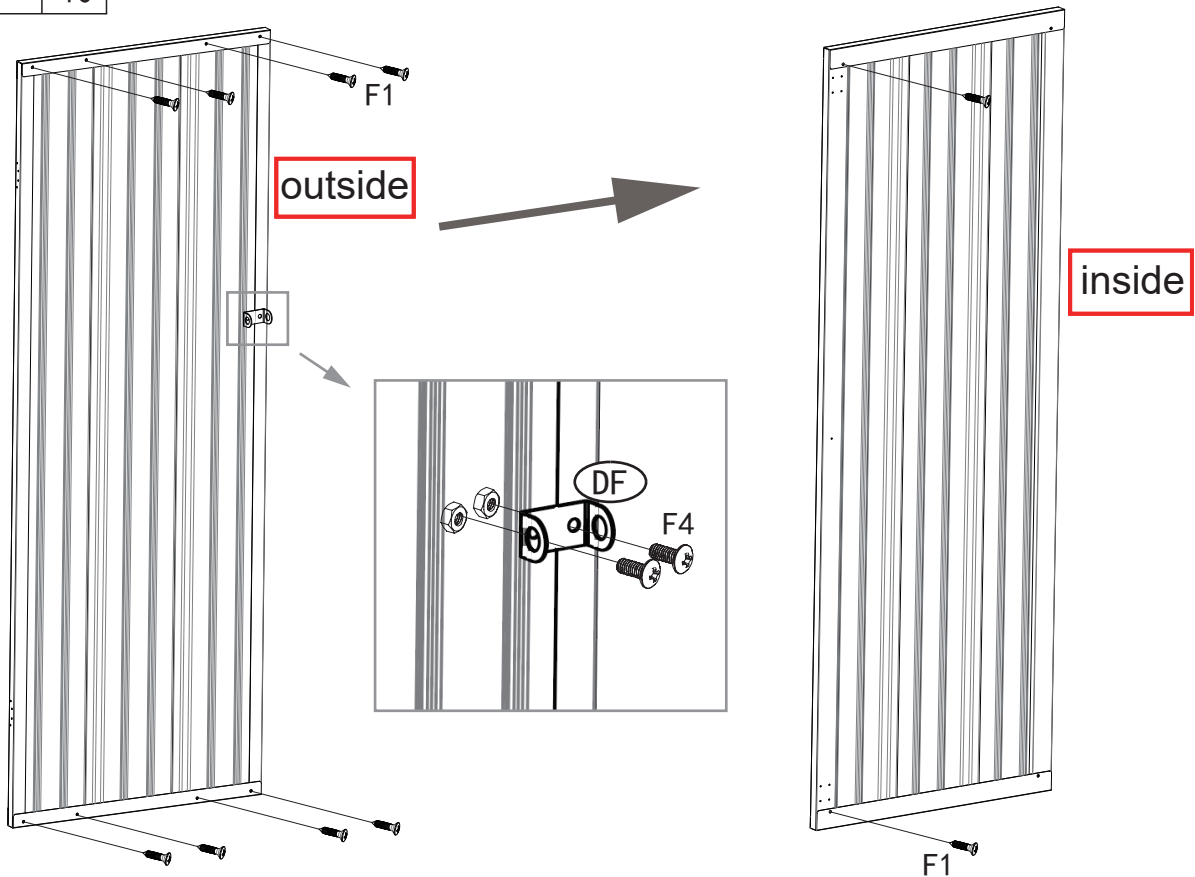




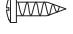
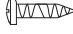
PART	NO.	Qty.
	20	2
	DLA	1
	F1	10

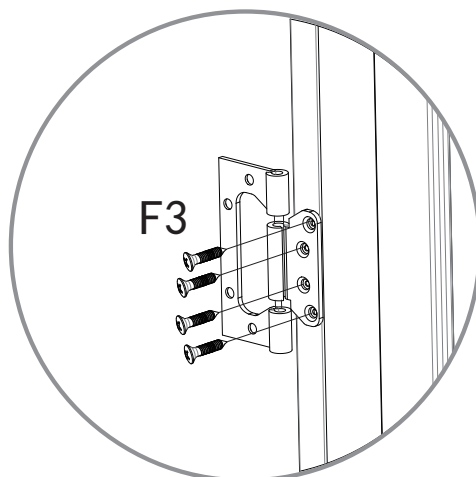
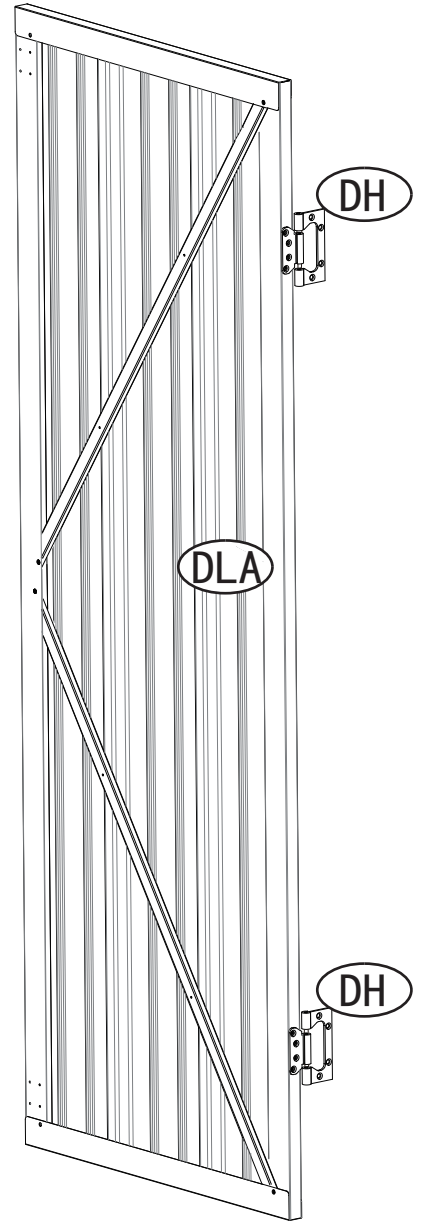
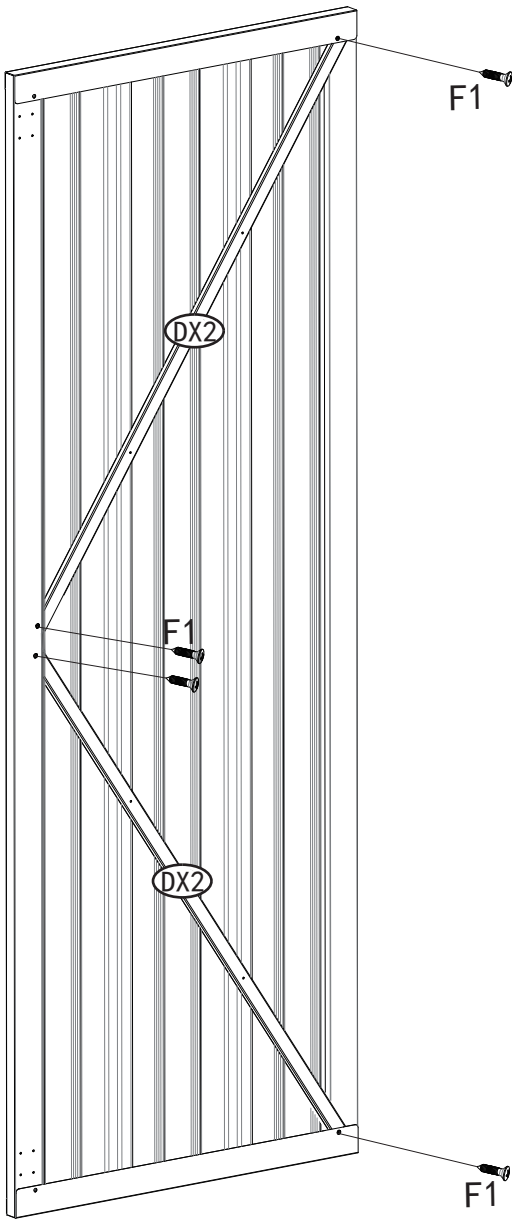


**Note: make clear the front and back of the door panel**

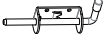

PART	NO.	Qty.
	DF	1
	F4	2
	F1	10

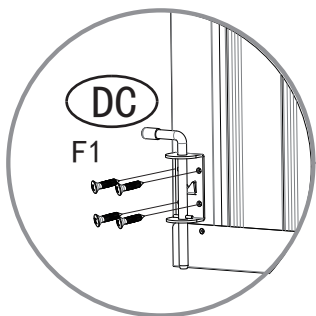
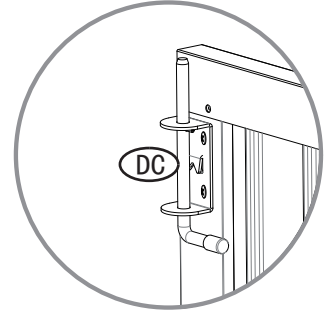
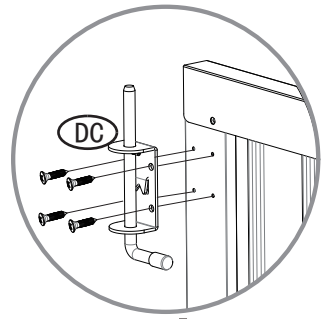
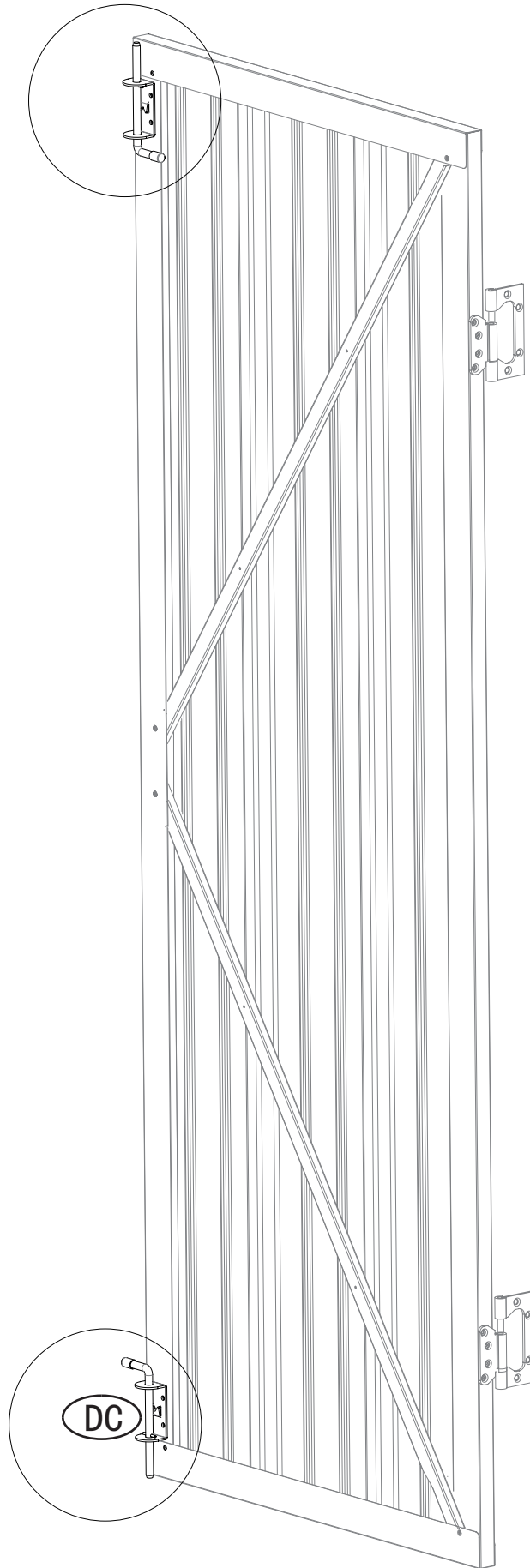


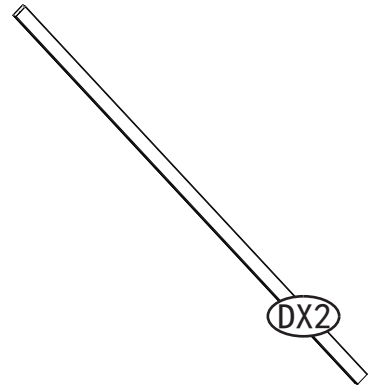
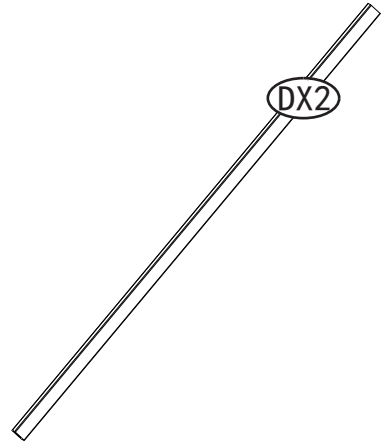
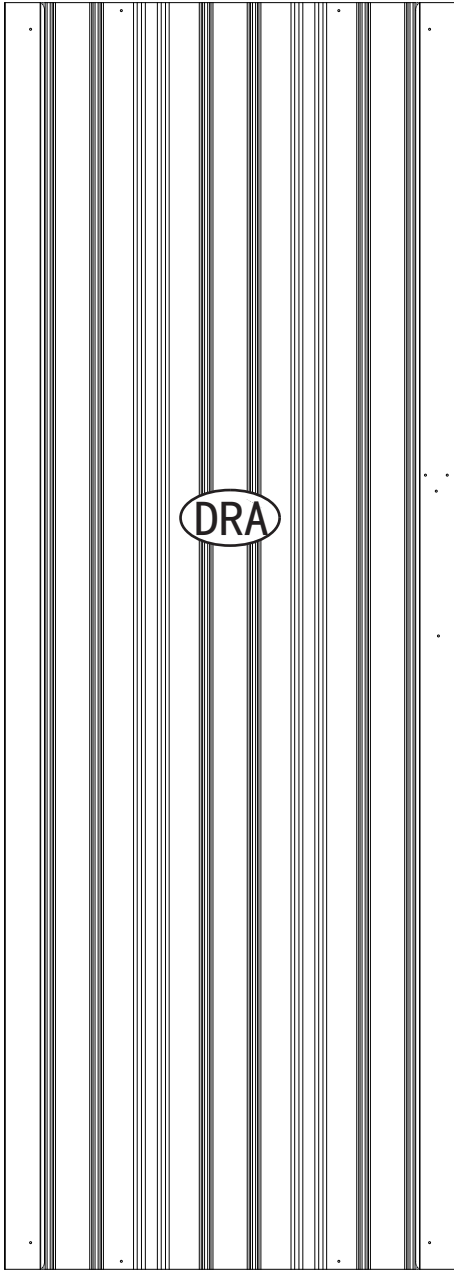
PART	NO.	Qty.
	DX2	2
	DH	2
	F1	4
	F3	8


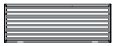



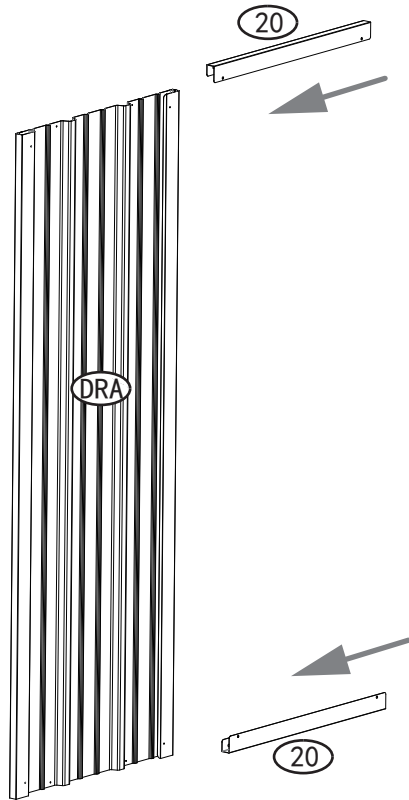
**X2**

PART	NO.	Qty.
	DC	2
	F1	8



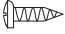


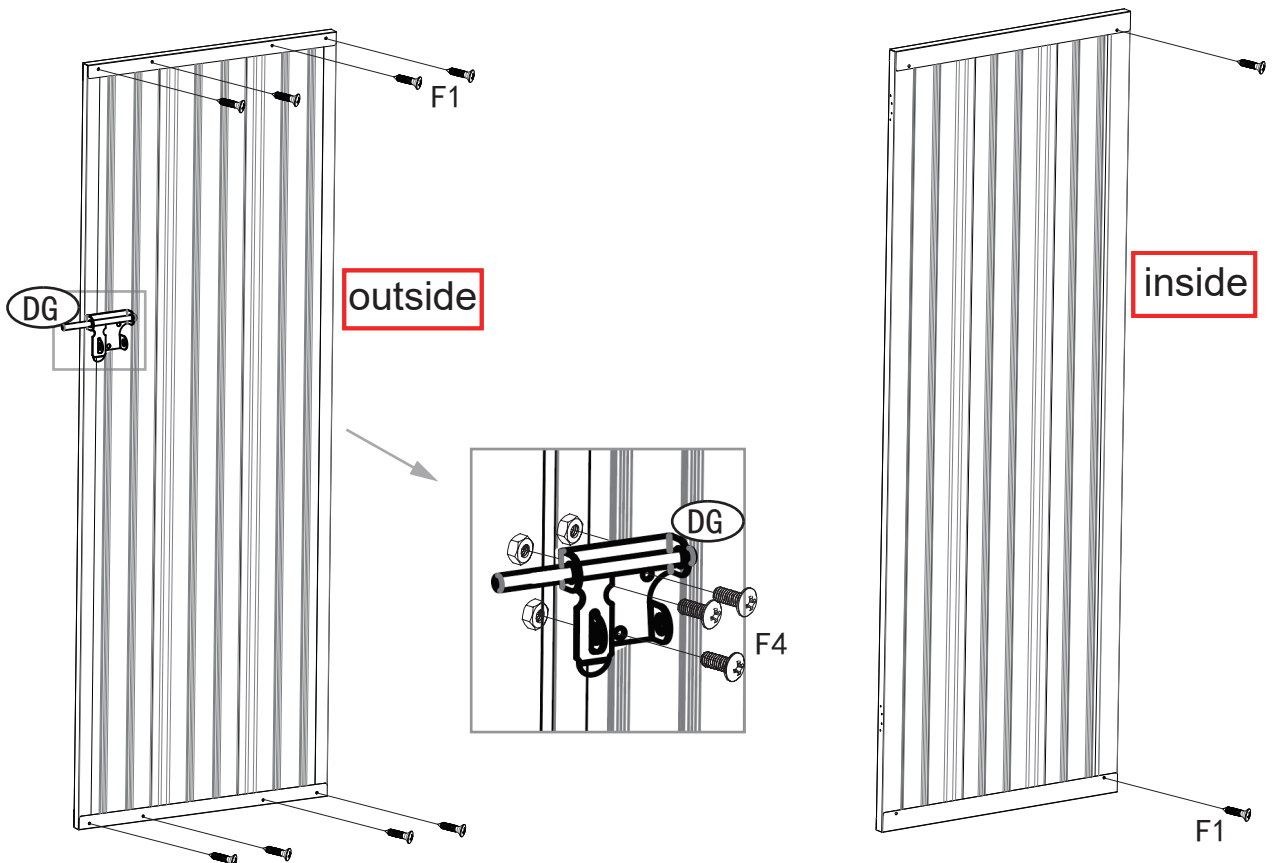




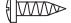

PART	NO.	Qty.
	20	2
	DRA	1
	F1	10

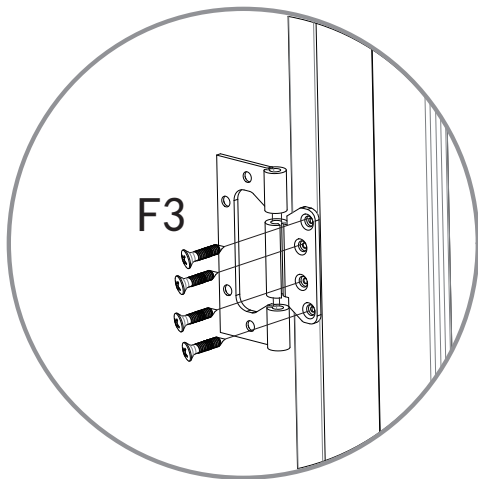
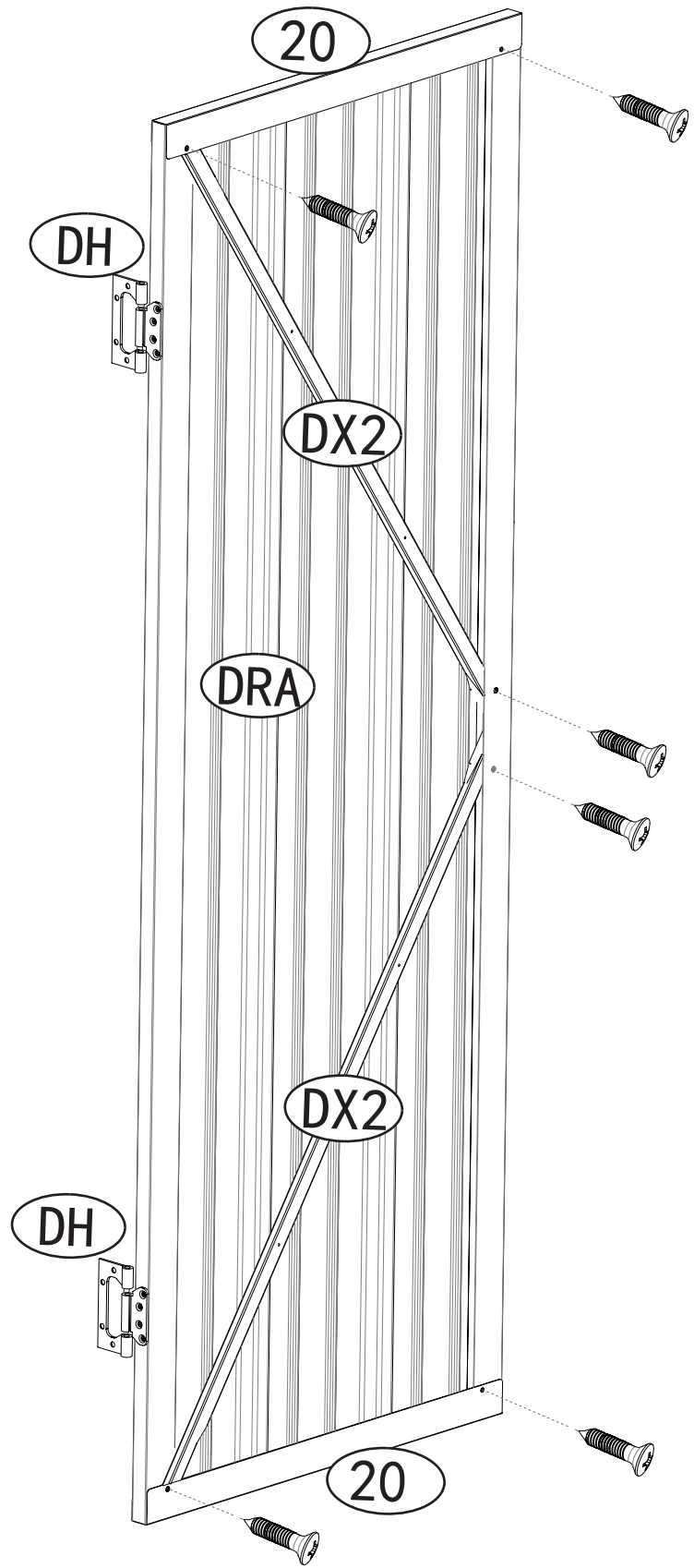


**Note: make clear the front and back of the door panel**


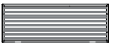

PART	NO.	Qty.
	DG	1
	F4	3
	F1	10

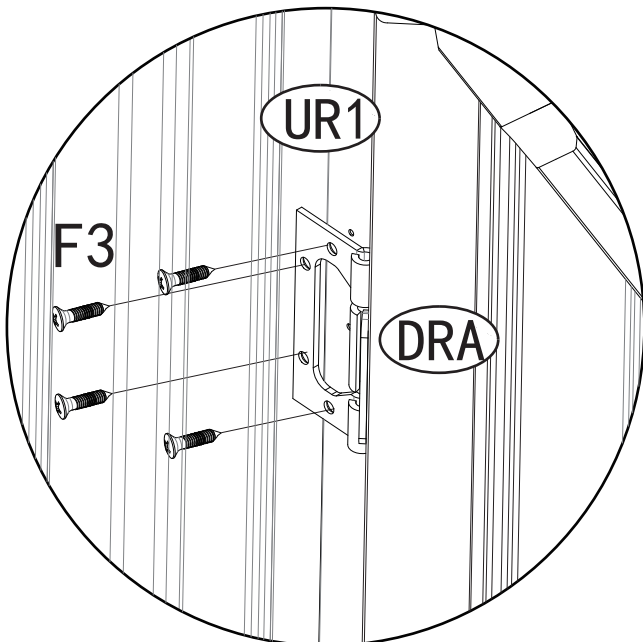


PART	NO.	Qty.
	DX2	2
	DH	2
	F1	6
	F3	8




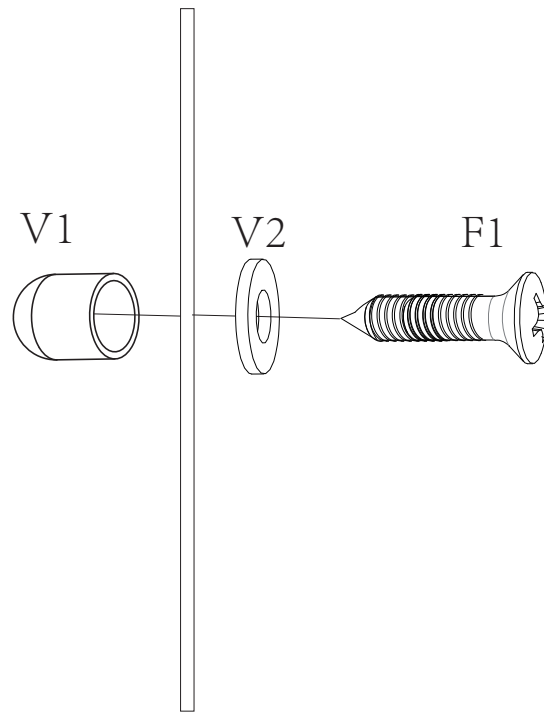
**X2**

PART	NO.	Qty.
	DRA	1
	DLA	1
	F3	16

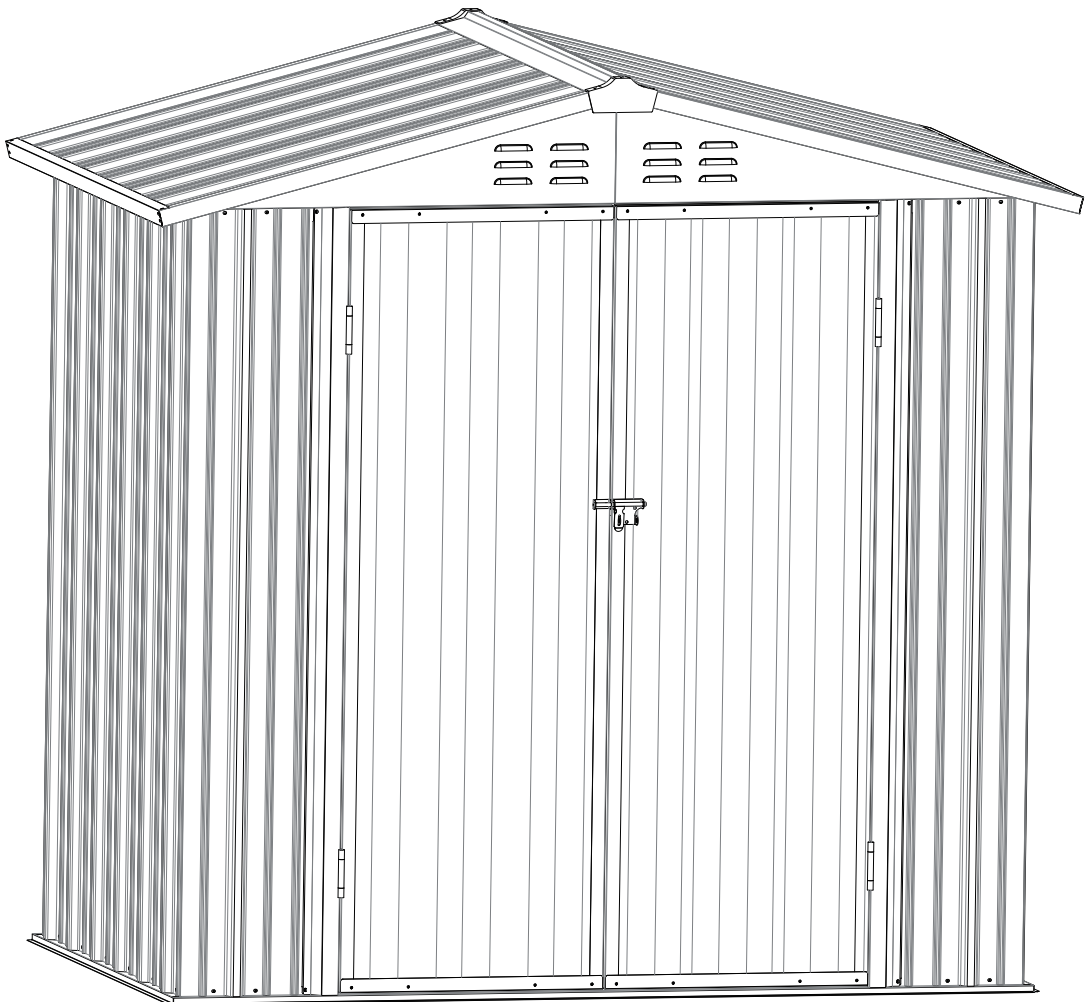


**X4**

PART	NO.	Qty.
	V1	50



Put V1 on the screw tip to prevent injury



# Q&A

1.

Q: The product I received is bent at the corner. How can I assemble the product?

A: Please wear gloves first and stretch the corners slightly until they are flat. Then the sheets will be normal and there is no influence to the assembling

2.

Q: I received a product with a large dent, how do I get a replacement?

A: Please check the parts list and contact us, tell us the parts and quantity you need, we will resend them to you as soon as possible.



+1(631)306-4783



hellovitesse@gmail.com



Instagram: vitessegaming



YouTube : vitessegaming

Please feel free to **send us the text or email**. We will reply to you within 24 hours. Also please feel free to contact us if you have received the defective items.

Follow our YouTube Channel then you will be able to find our **assembling video** as a pinned video.