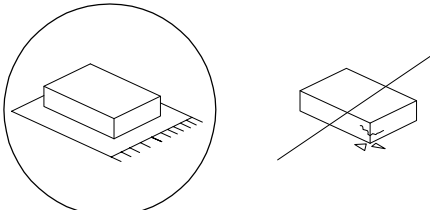

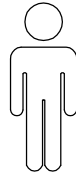
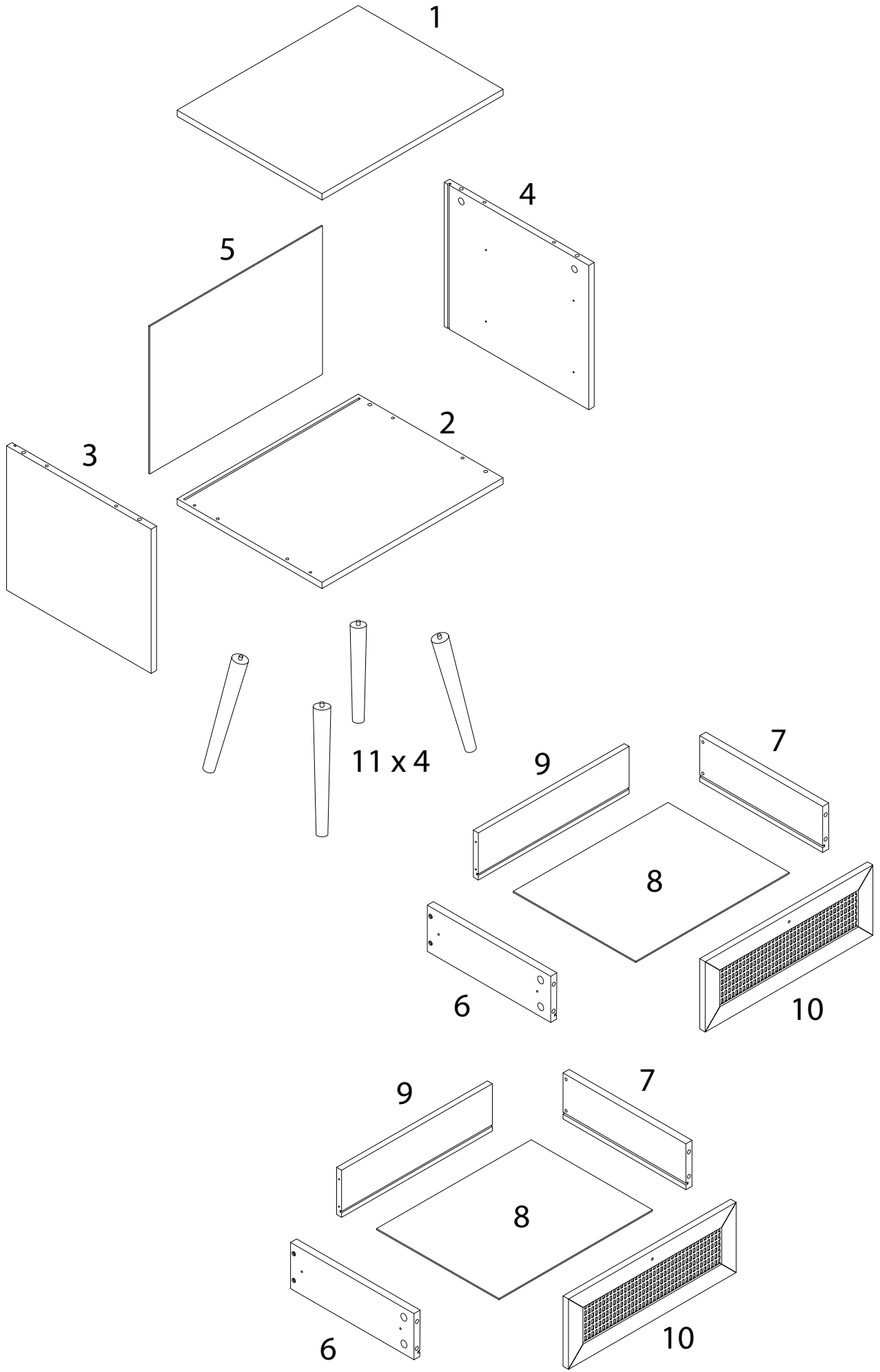
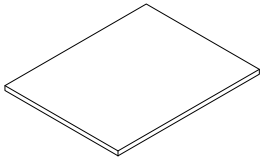

		<p>45'</p>
		
		<p>2</p>

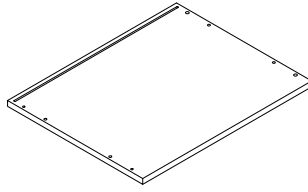


1



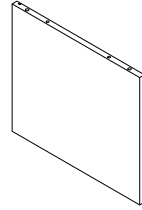
x 1

2



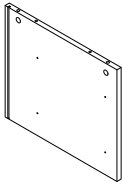
x 1

3



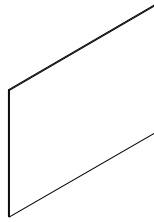
x 1

4



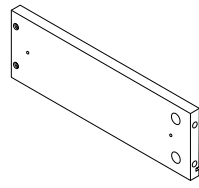
x 1

5



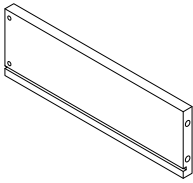
x 1

6



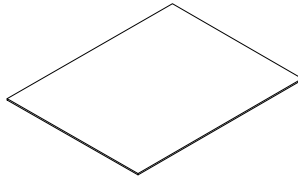
x 2

7



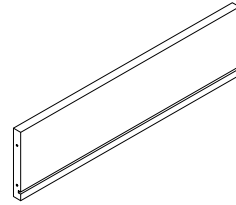
x 2

8



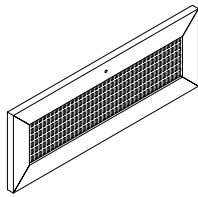
x 2

9



x 2

10



x 2

11



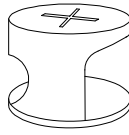
x 4

A



x 12

B



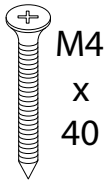
x 12

C



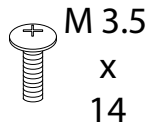
x 8

D



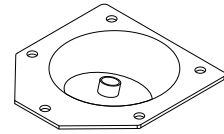
x 12

E



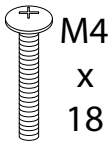
x 20

F



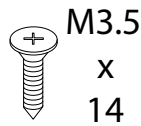
x 4

G



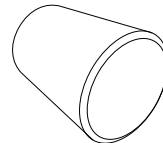
x 2

H



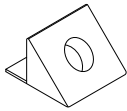
x 24

I



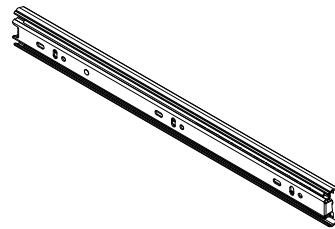
x 2

J



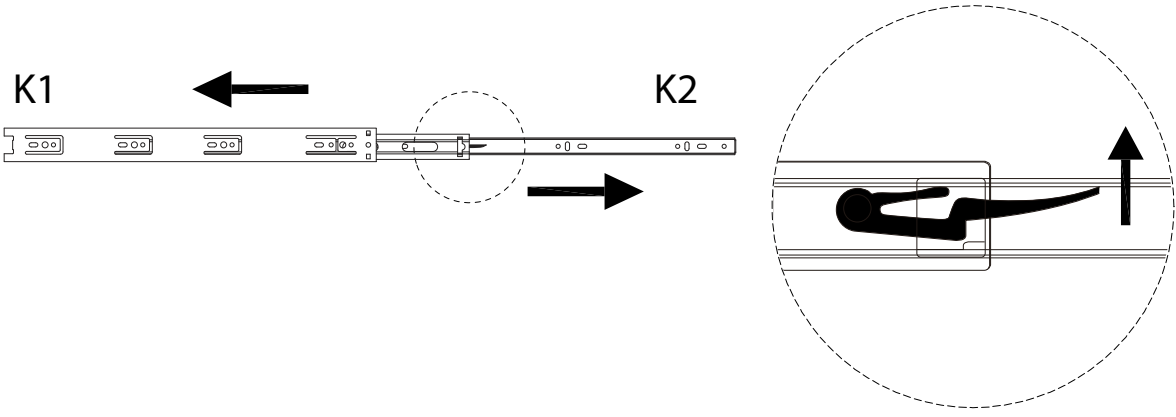
x 8

K



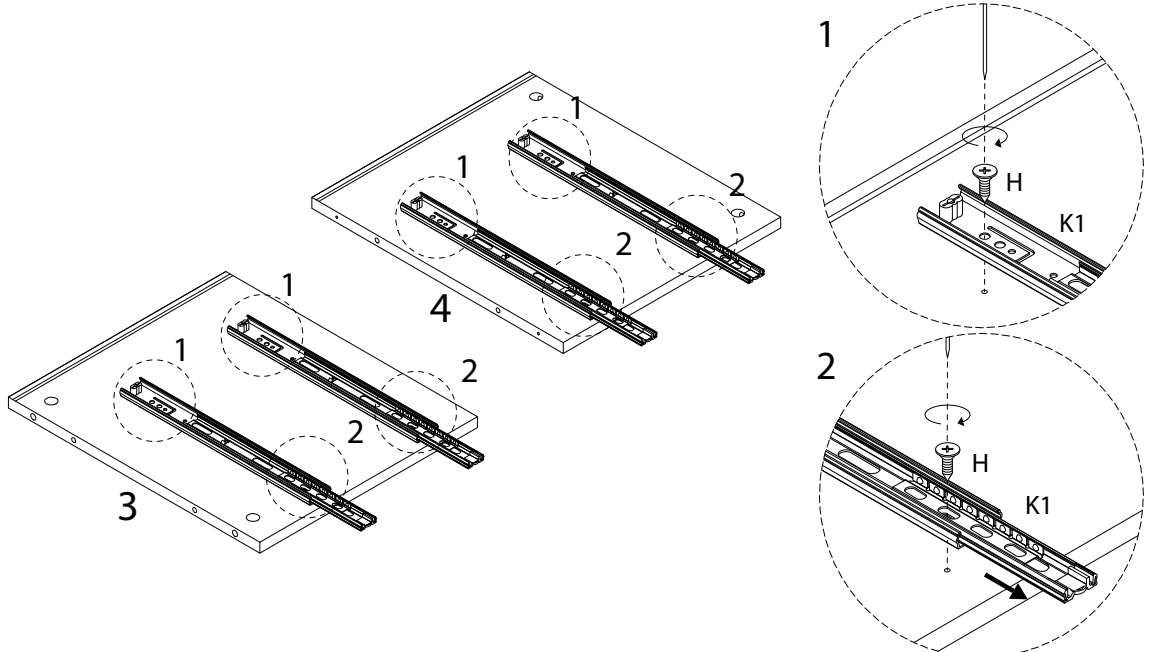
x 4

!

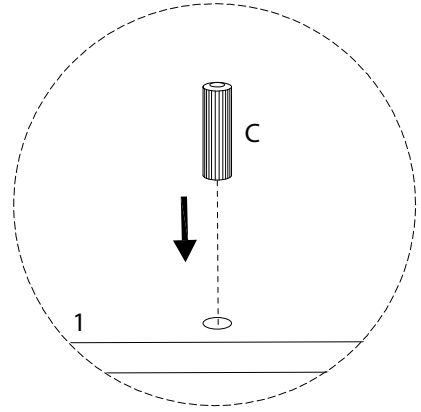
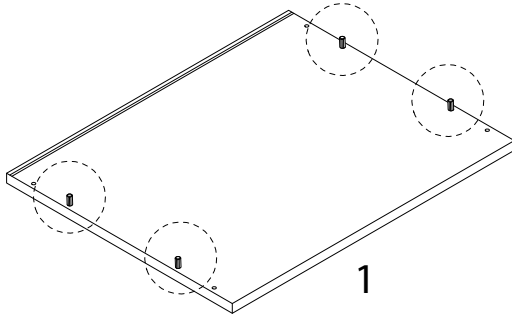
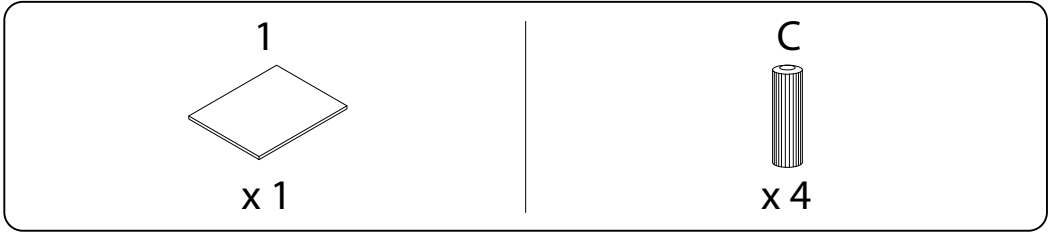


1

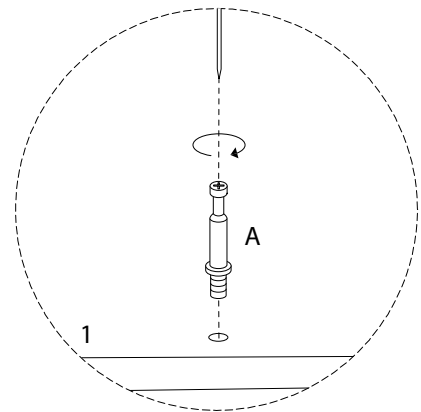
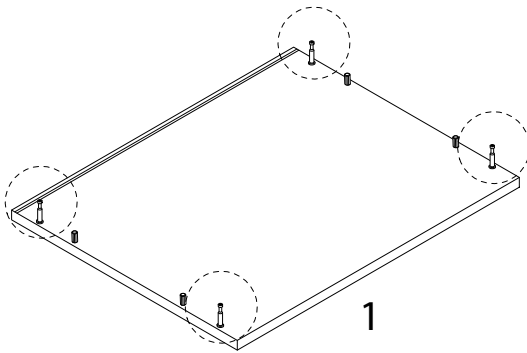
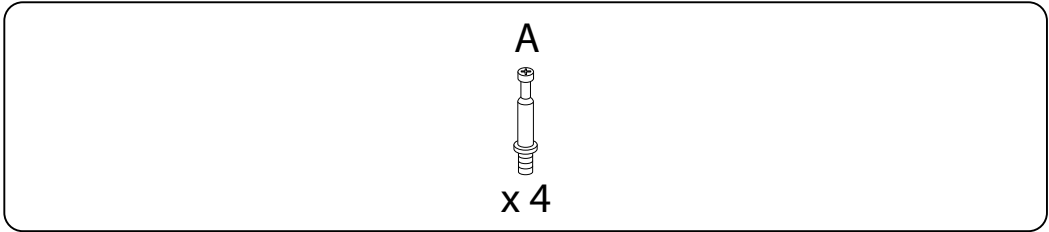
- |                  |                  |                                    |                   |
|------------------|------------------|------------------------------------|-------------------|
| <p>3<br/>x 1</p> | <p>4<br/>x 1</p> | <p>H<br/>M3.5<br/>x 14<br/>x 8</p> | <p>K1<br/>x 4</p> |
|------------------|------------------|------------------------------------|-------------------|



2

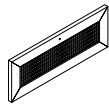


3



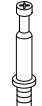
4

10

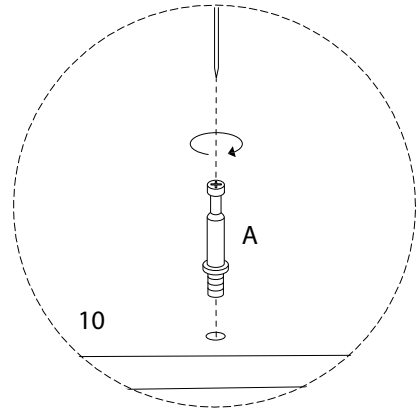
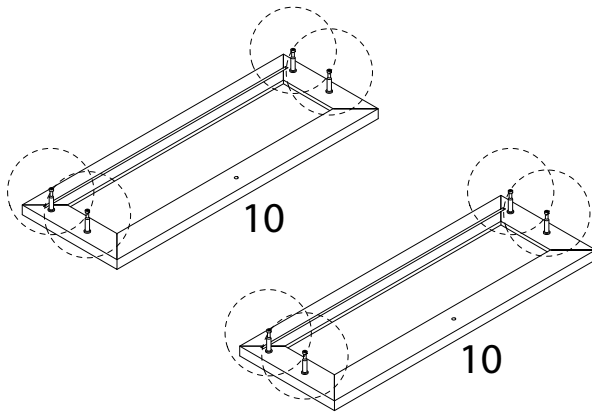


x 2

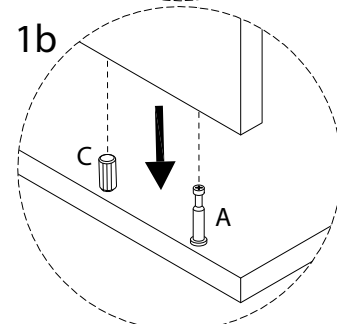
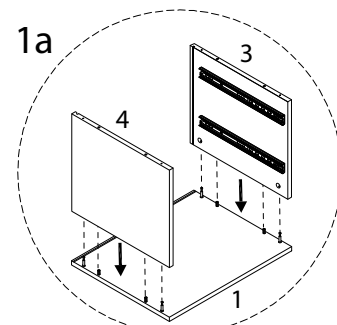
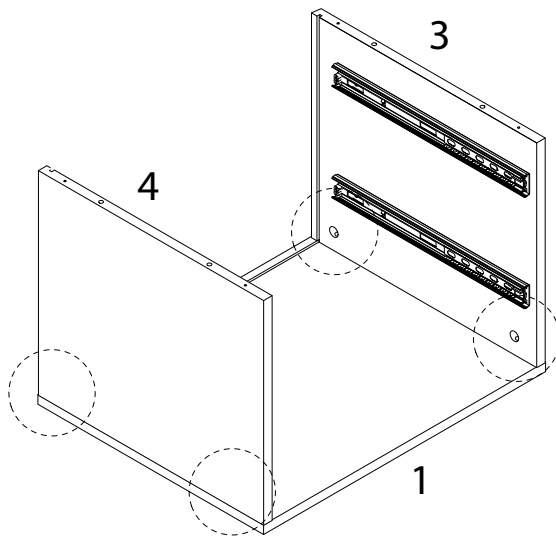
A



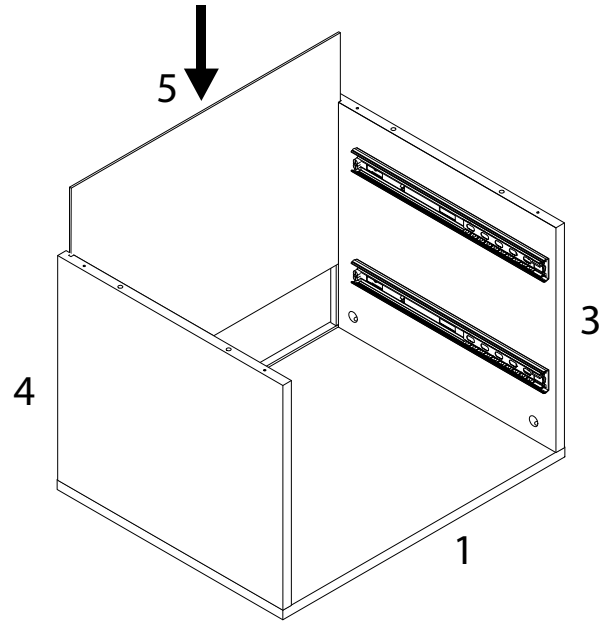
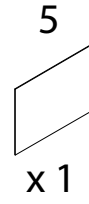
x 8



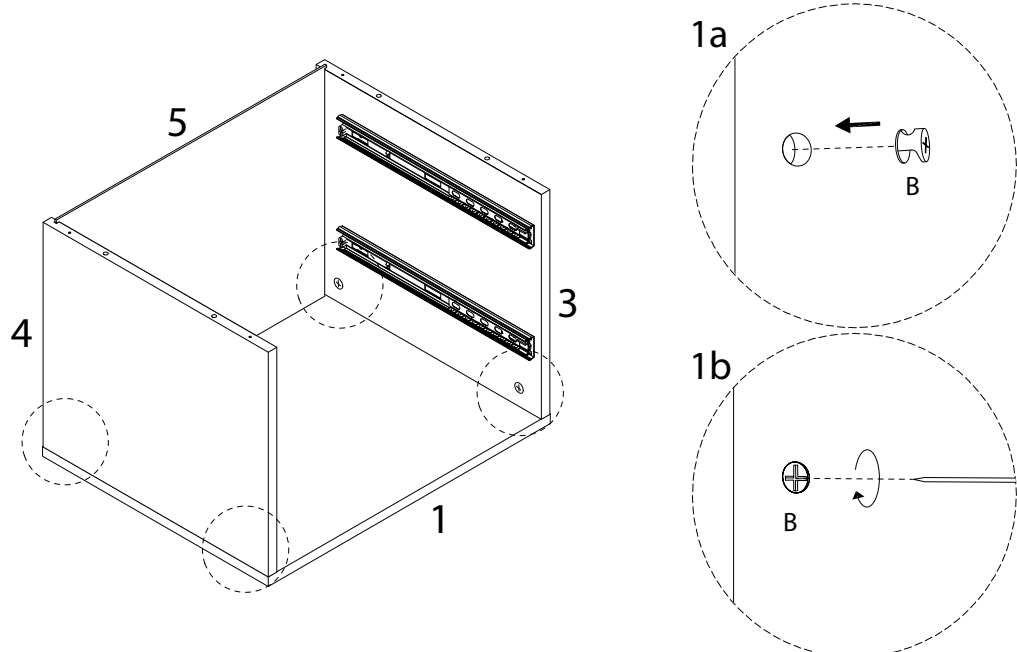
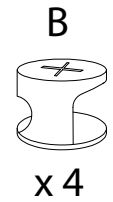
5



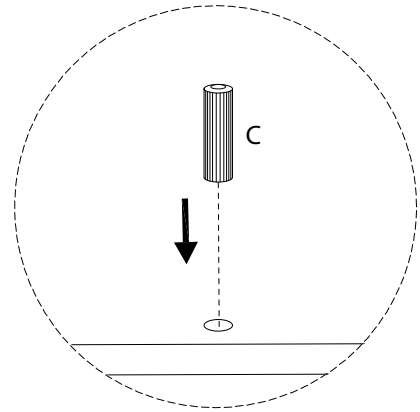
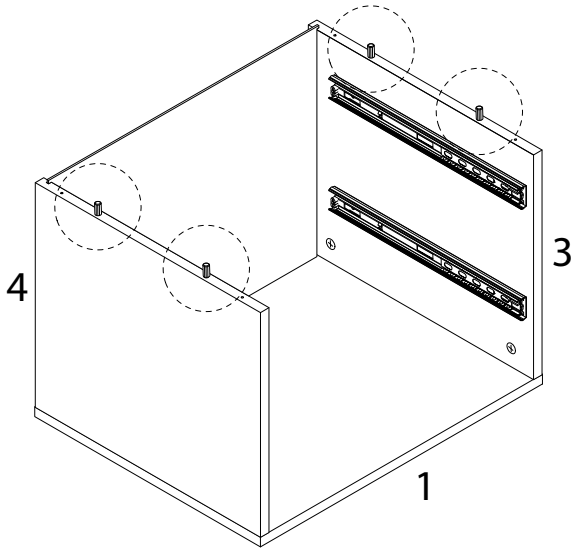
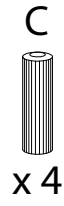
6



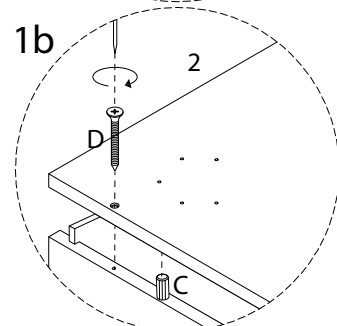
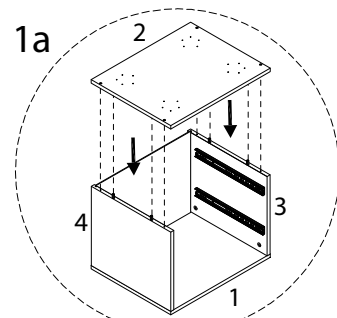
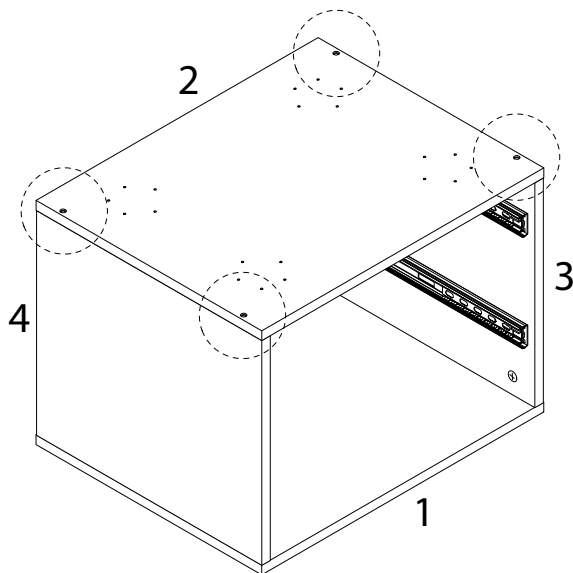
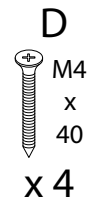
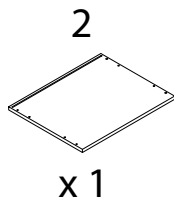
7



8

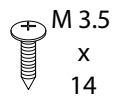


9



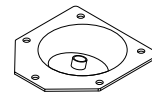
10

E

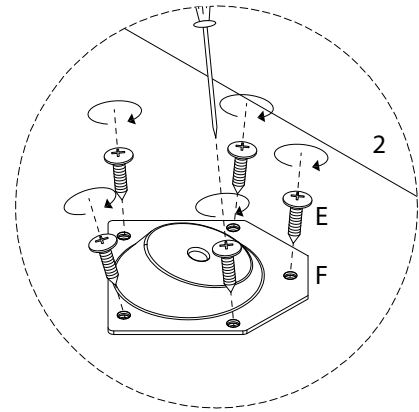
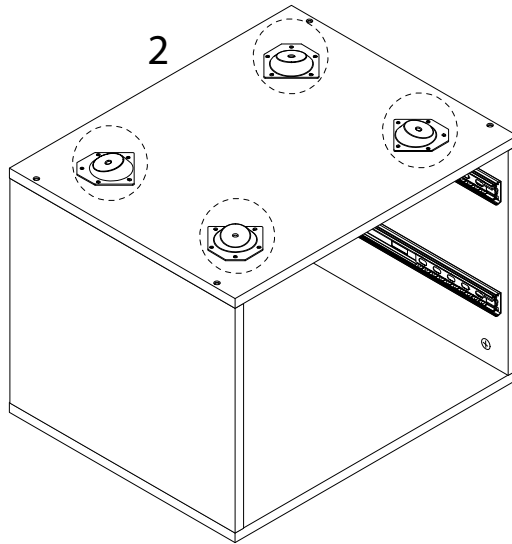


x 20

F



x 4

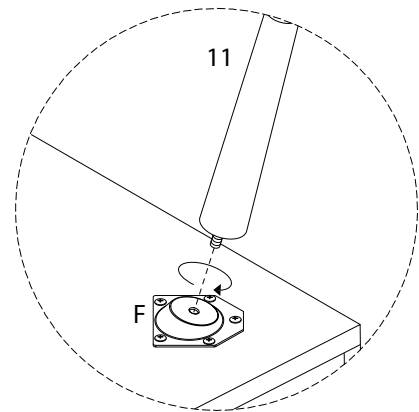
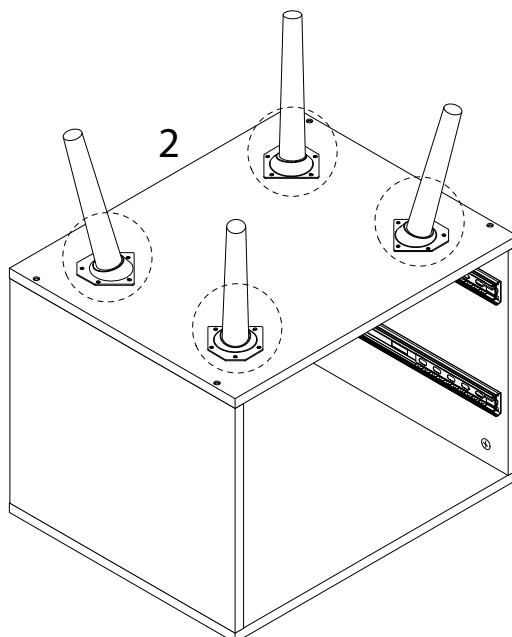


11

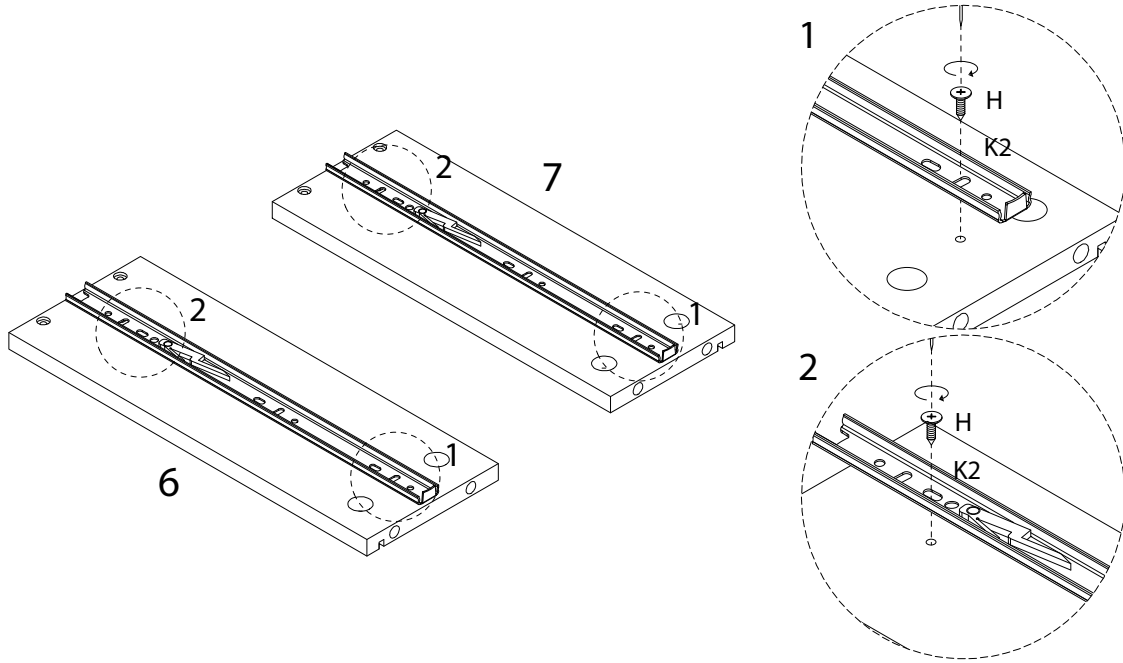
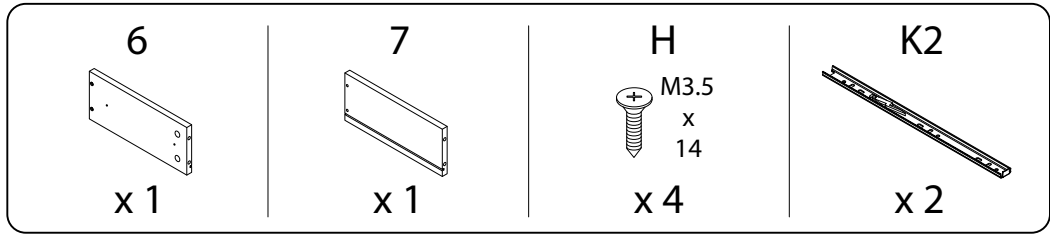
11



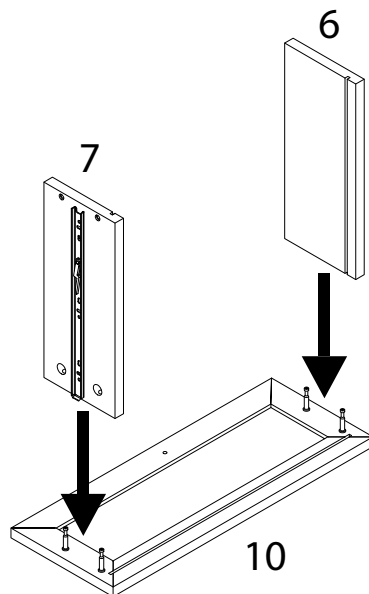
x 4



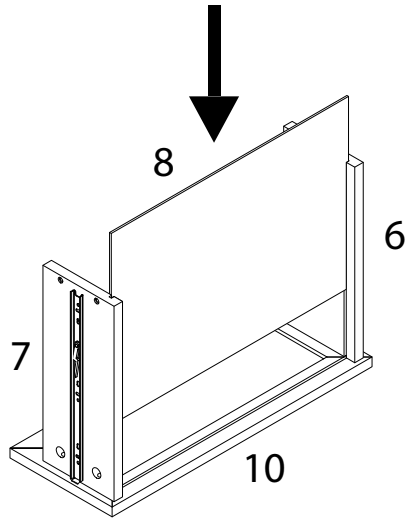
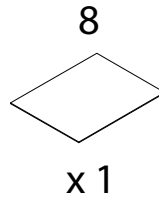
12 x 2



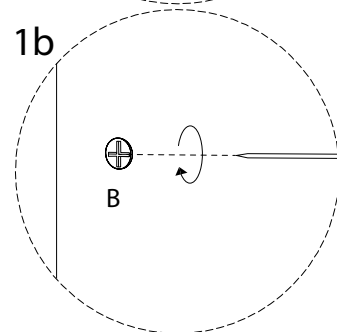
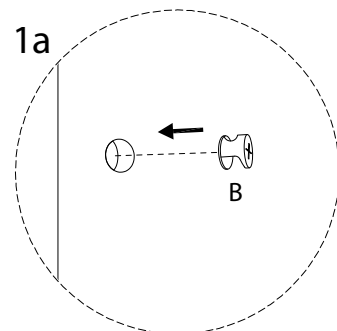
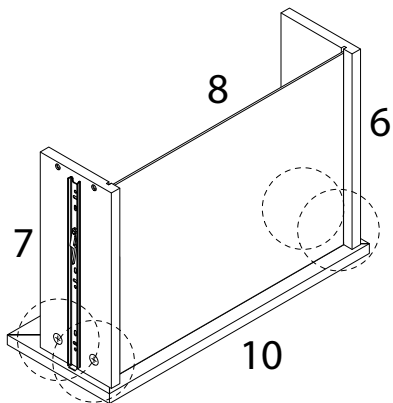
13 x 2



14 x 2

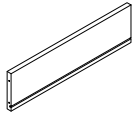


15 x 2



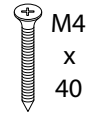
16 x 2

9

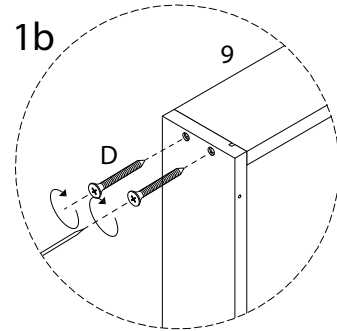
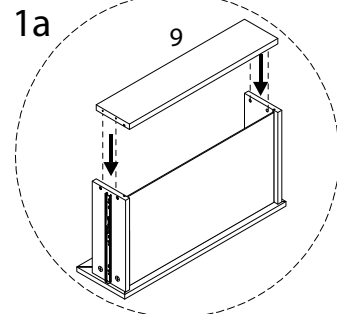
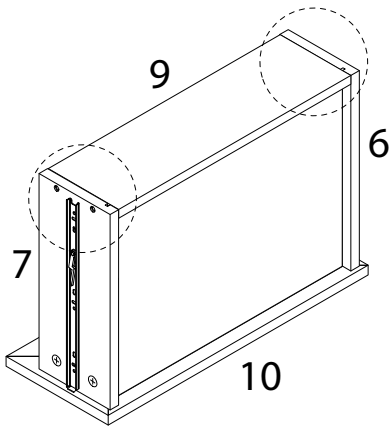


x 1

D



x 4



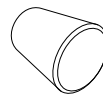
17 x 2

G

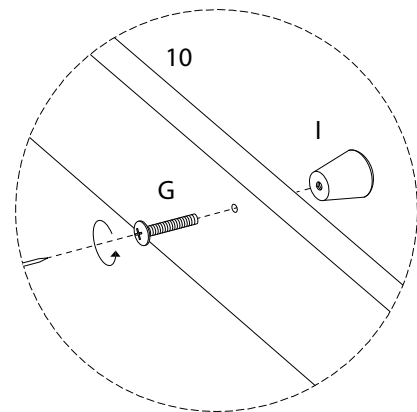
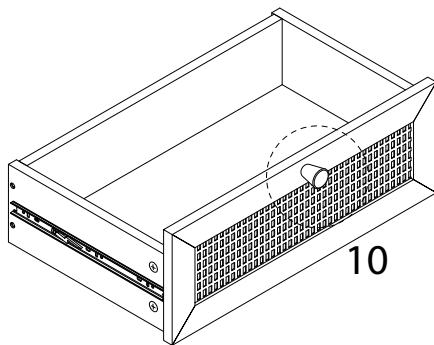


x 1

I



x 1



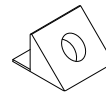
18

H

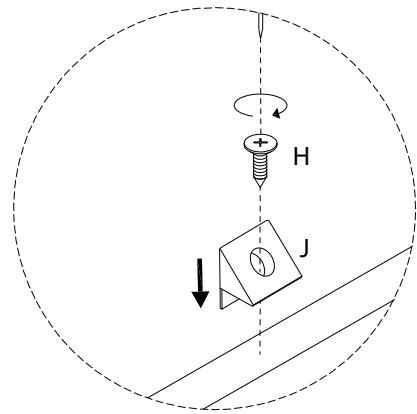
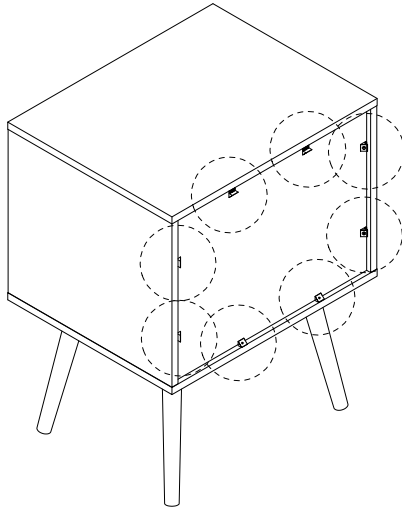


x 8

J



x 8



19

