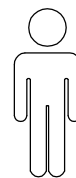
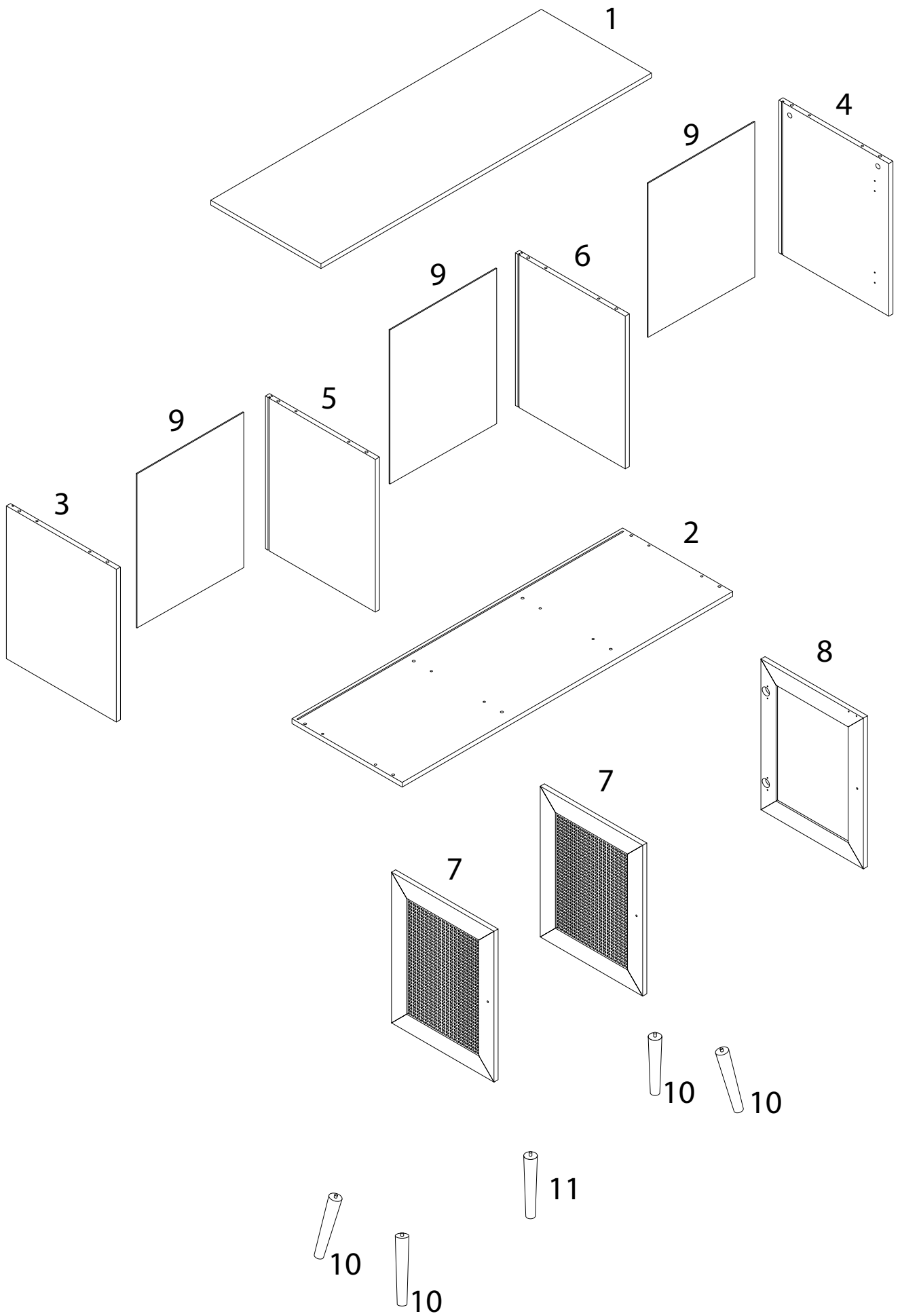
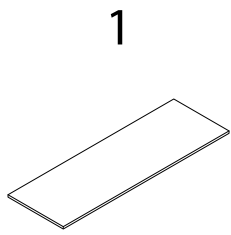


60'

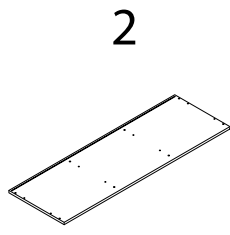


2

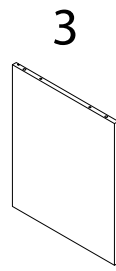




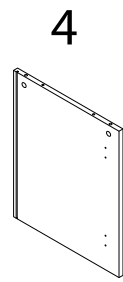
x 1



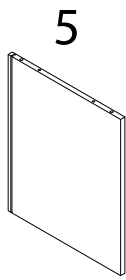
x 1



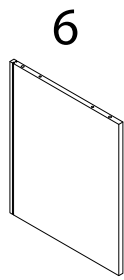
x 1



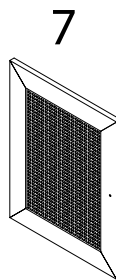
x 1



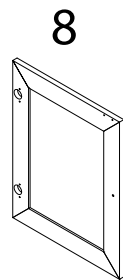
x 1



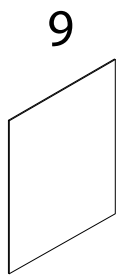
x 1



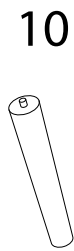
x 2



x 1



x 3

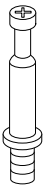


x 4



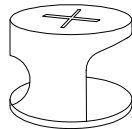
x 1

A



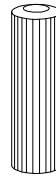
x 8

B



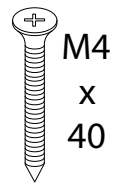
x 8

C



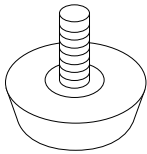
x 16

D



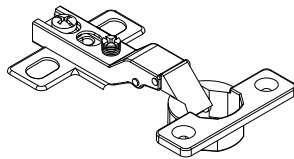
x 10

E



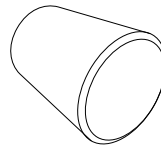
x 1

F



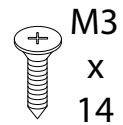
x 6

G



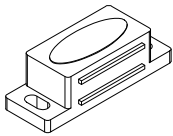
x 3

H



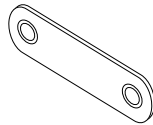
x 48

I



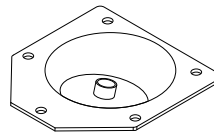
x 3

J



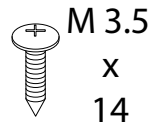
x 3

K



x 4

L



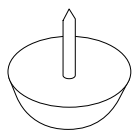
x 22

M



x 3

N



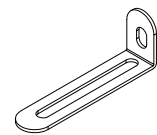
x 4

O



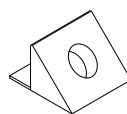
x 2

P



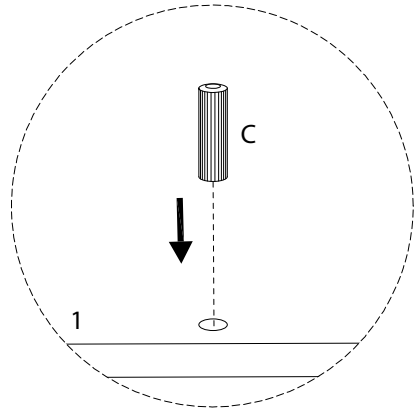
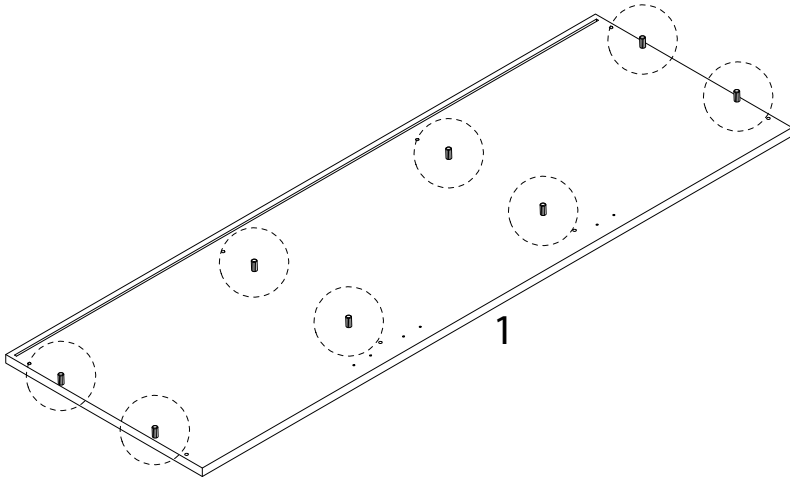
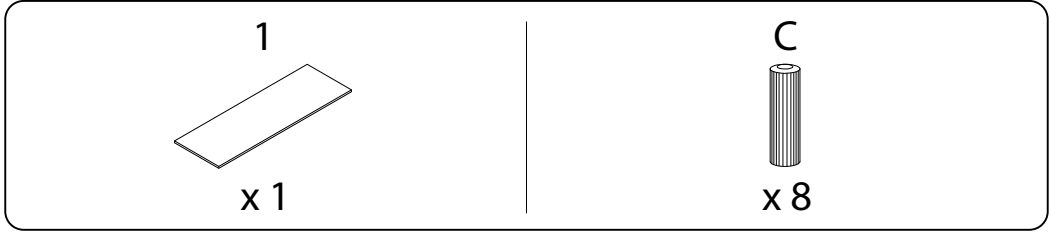
x 2

Q

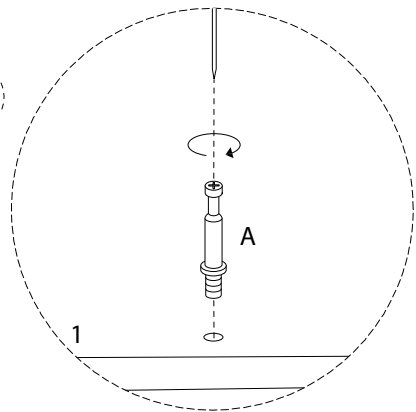
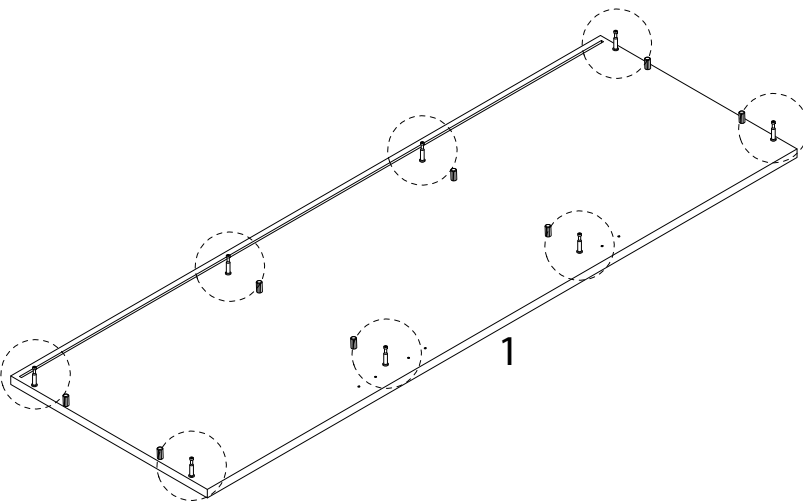
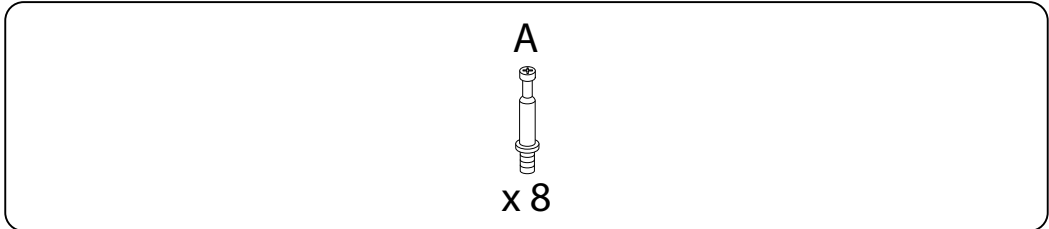


x 12

1

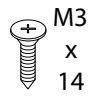


2



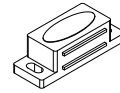
3

H

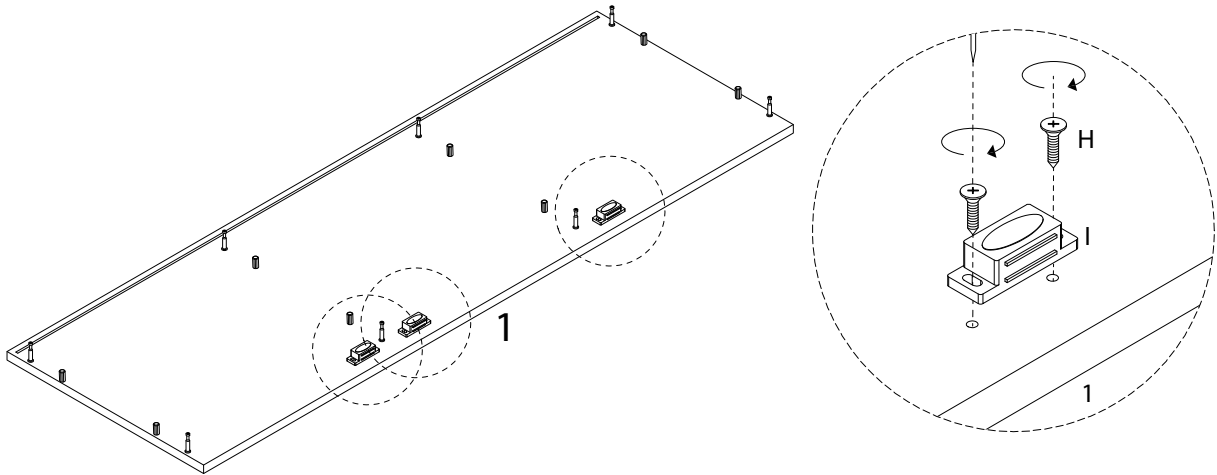


x 6

I

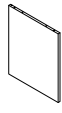


x 3



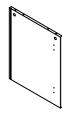
4

3



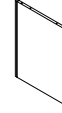
x 1

4



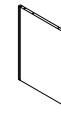
x 1

5

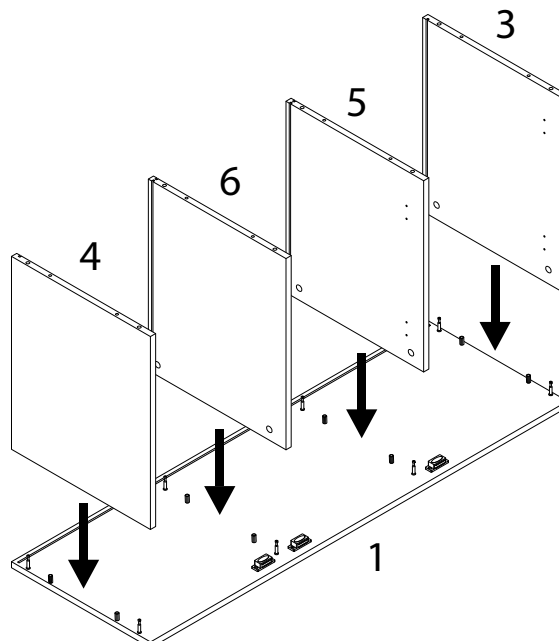


x 1

6

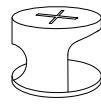


x 1

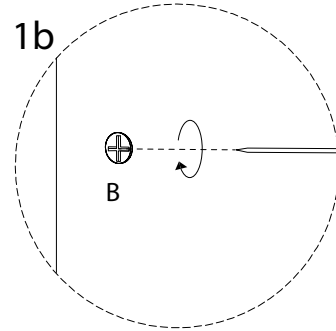
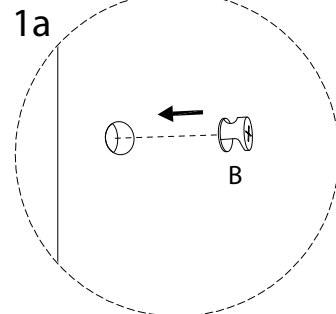
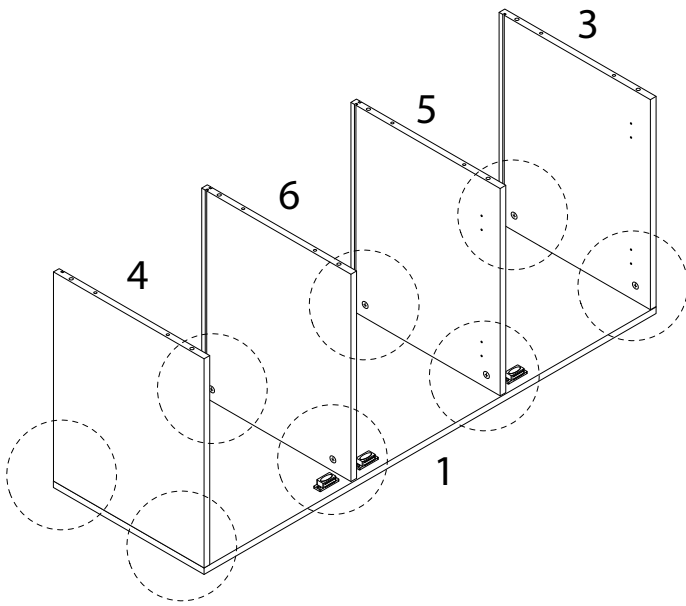


5

B

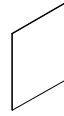


x 8

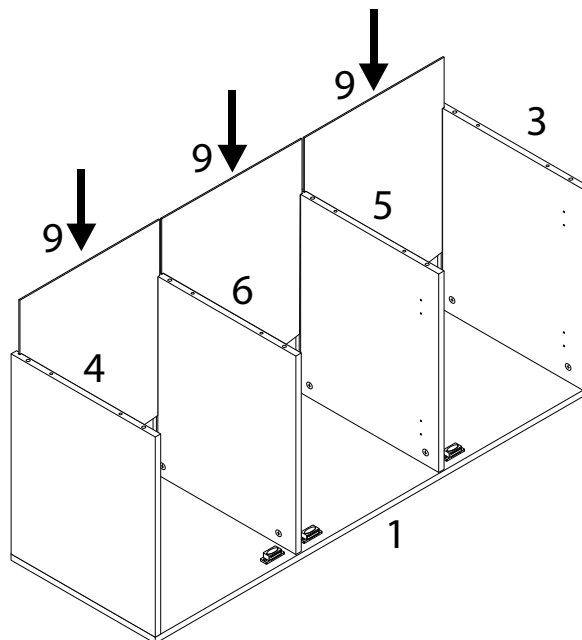


6

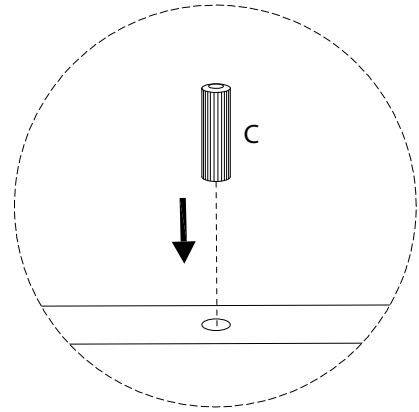
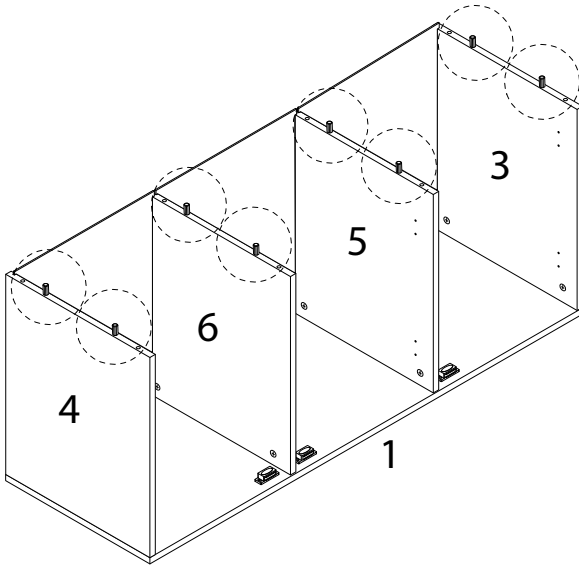
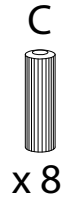
9



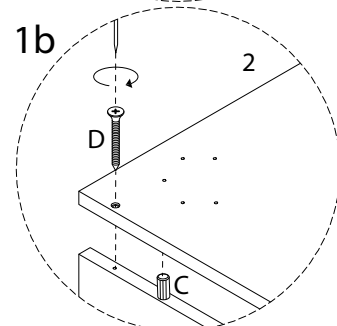
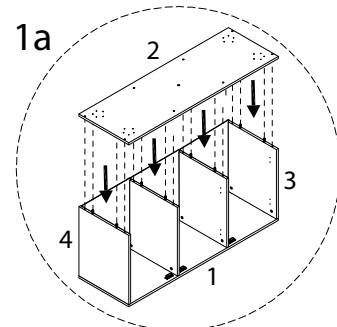
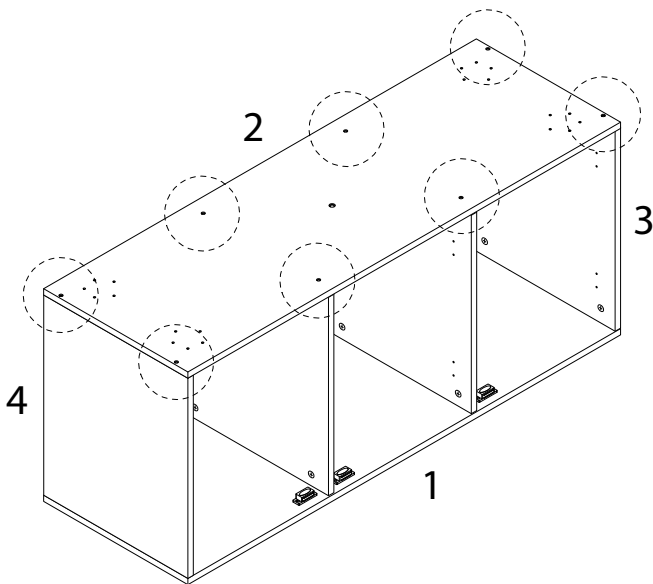
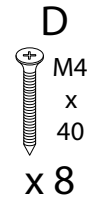
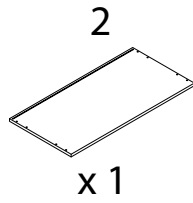
x 3



7

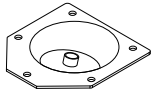


8



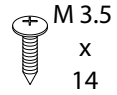
9

K

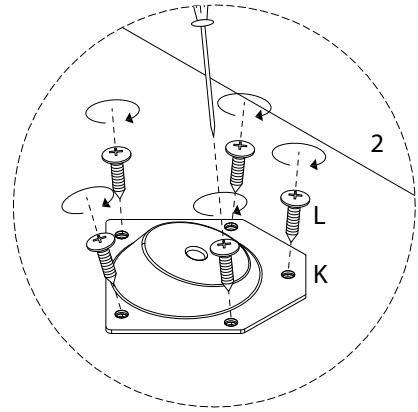
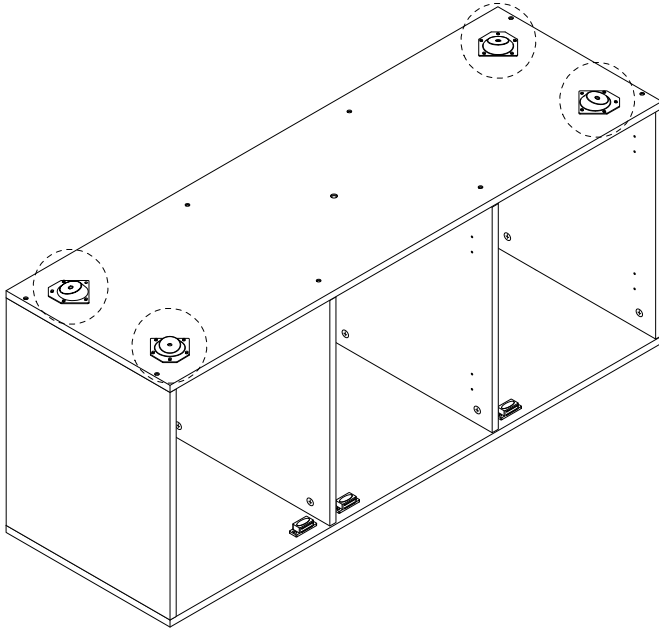


x 4

L



x 20



10

10

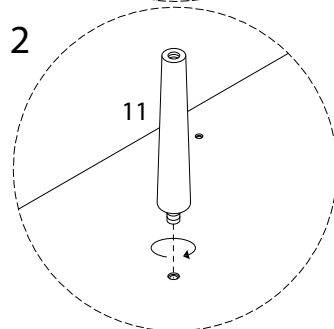
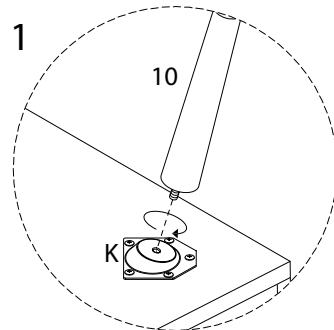
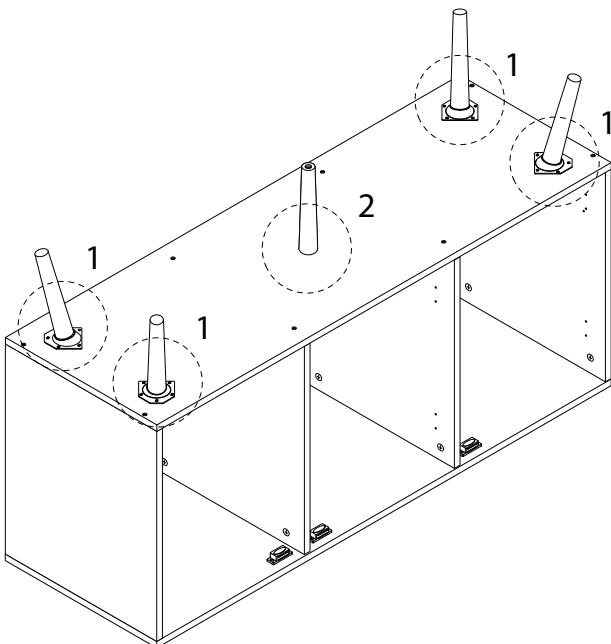


x 4

11



x 1



11

E

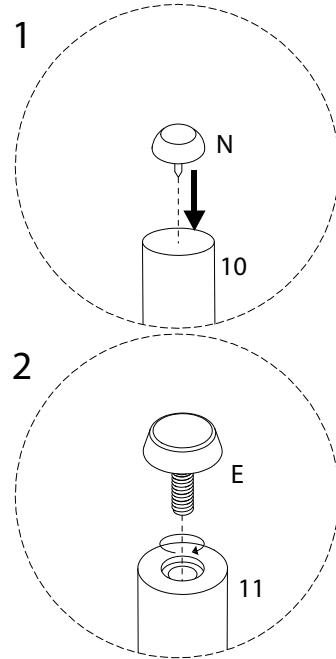
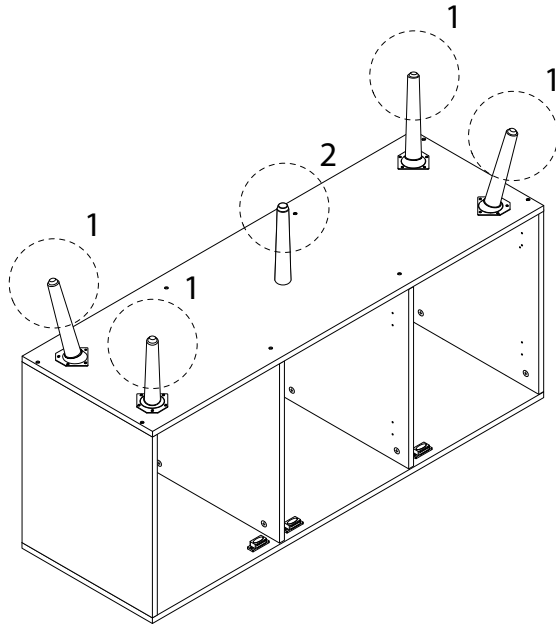


x 1

N

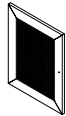


x 4



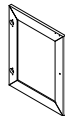
12

7



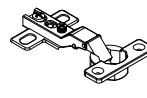
x 2

8



x 1

F

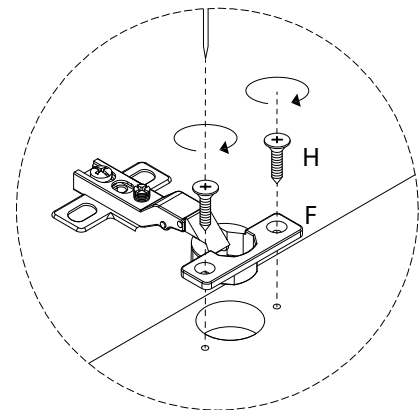
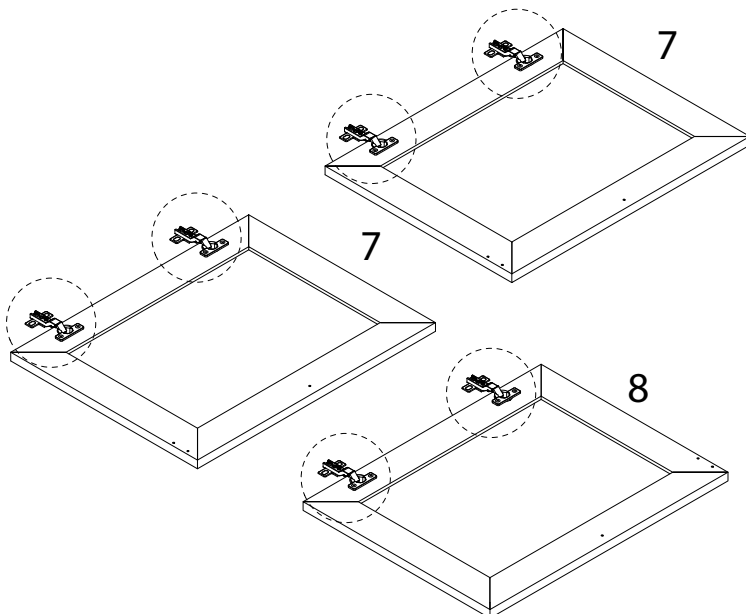


x 6

H



x 12



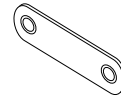
13

H

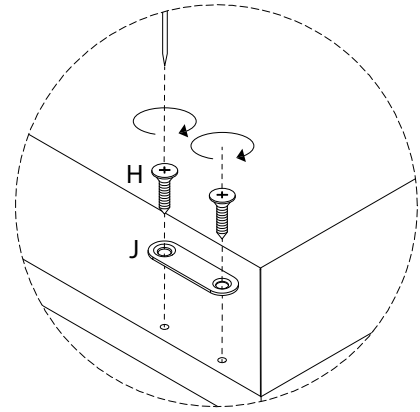
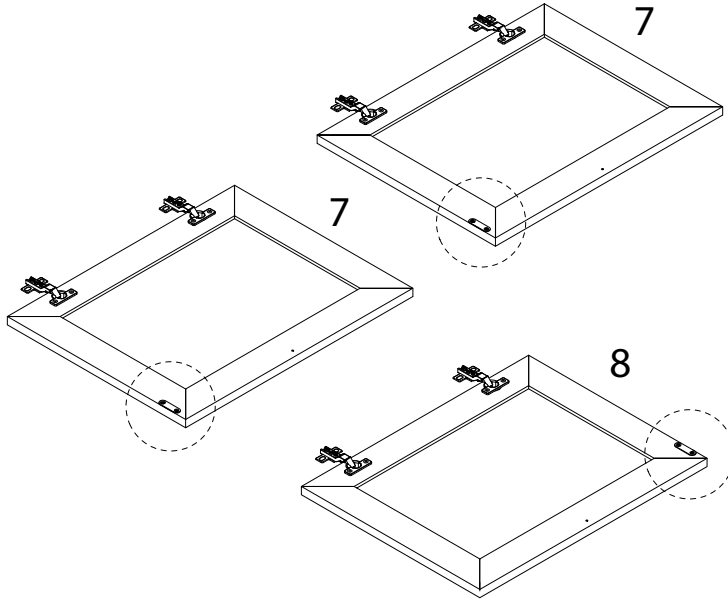


x 6

J

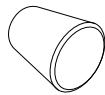


x 3



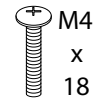
14

G

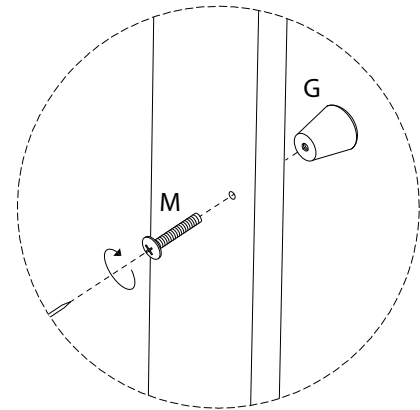
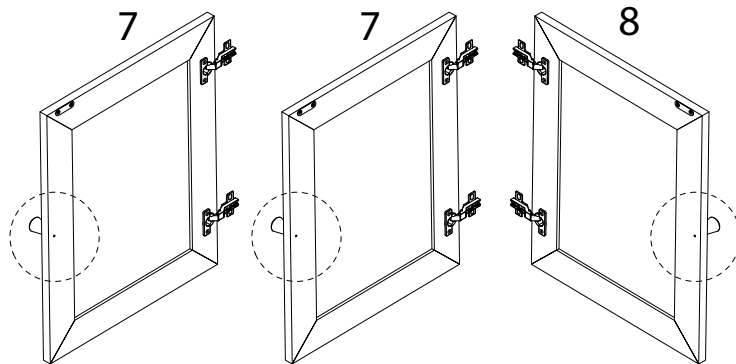


x 3

M



x 3



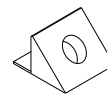
15

H

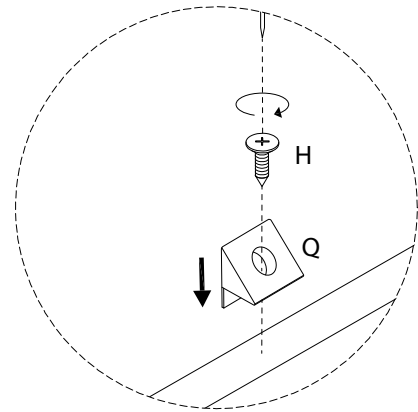
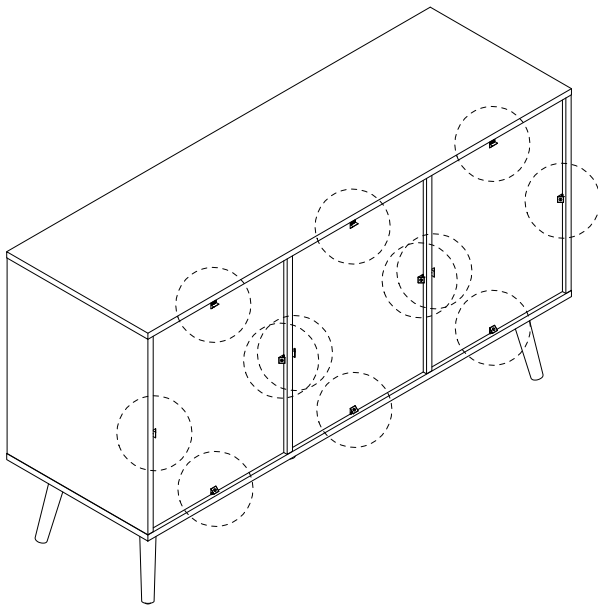


x 12

Q



x 12

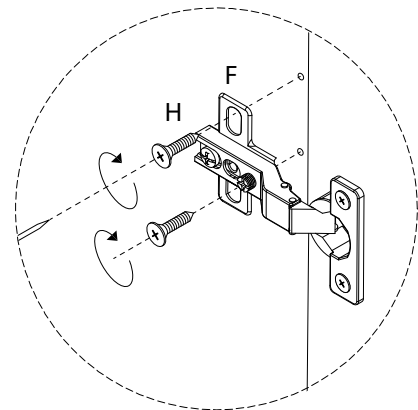
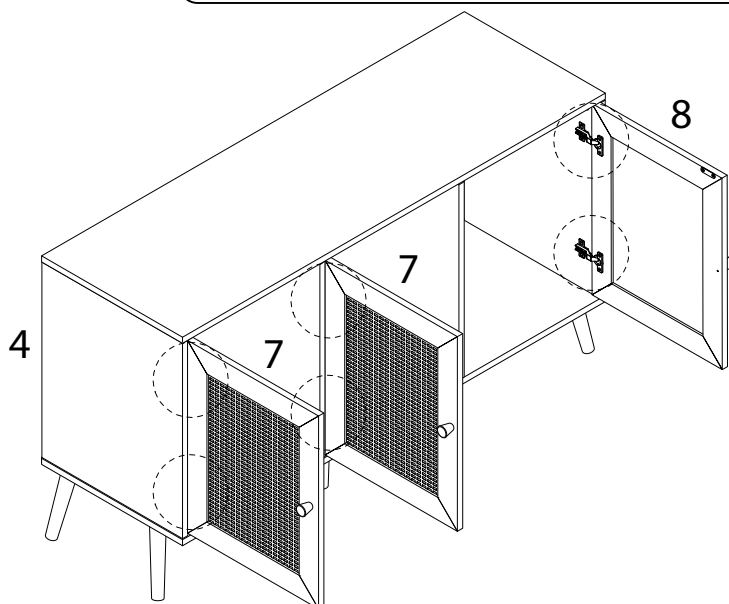


16

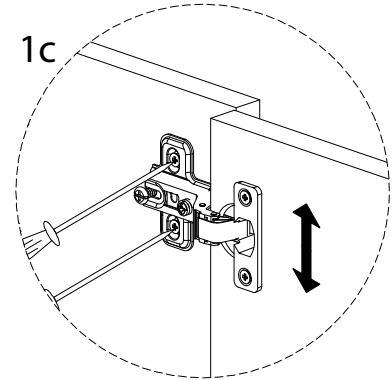
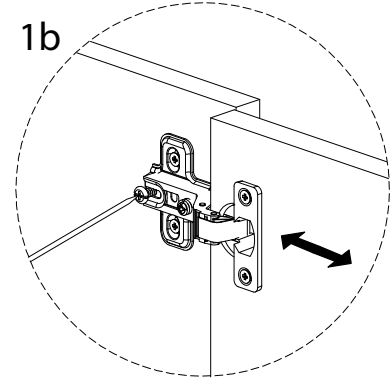
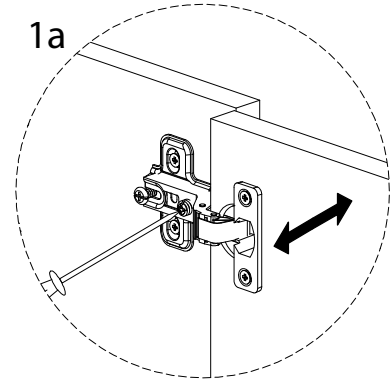
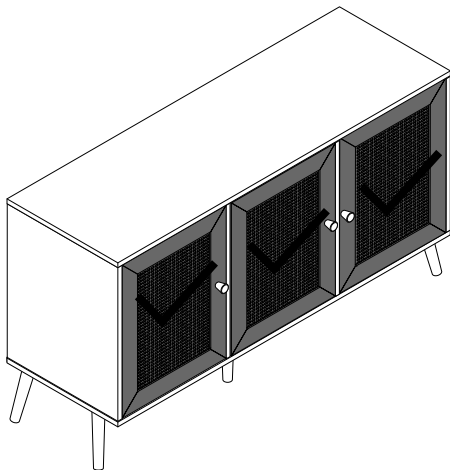
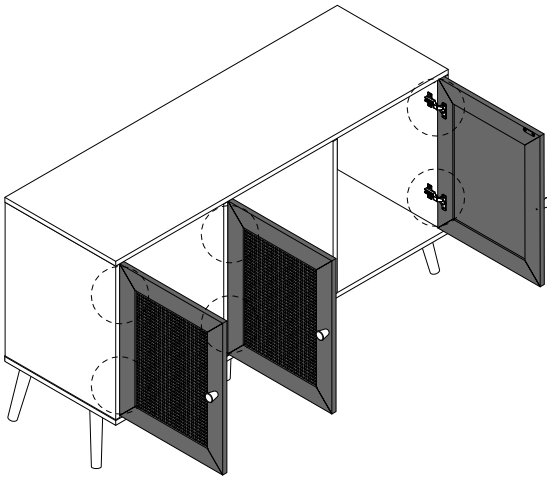
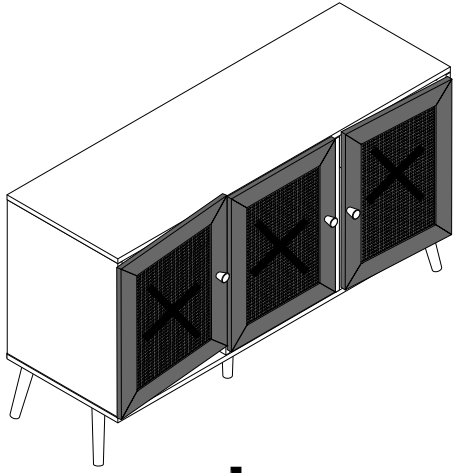
H



x 12



!



17

D
M4
x
40
x 2

L
M3.5
x
14
x 2

O
x 2

P
x 2

