

20 : 00

---

estimated  
assembly time



2 or more

---

people required

Ok, let's  
get started!



- Put on mood music!
- To prevent damage to product, use the clean side of package carton or rug as working surface.
- In the event of missing or damaged parts, delivery problems etc., please reach out to our team.  
We will be happy to fix the problem!

# care guide

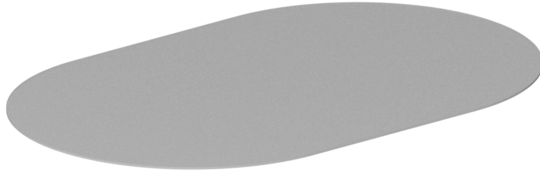
- Clean regularly with a soft and dry cloth.
- To protect finish, avoid use of abrasive cleaners.
- Wipe up spills immediately. Please!



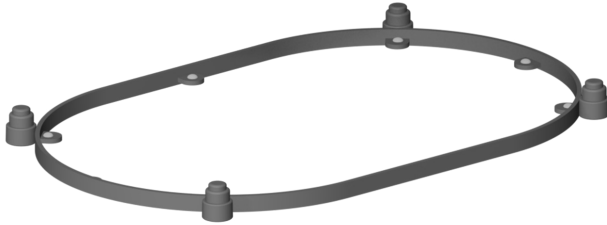
- ⓘ **While assembling the product, tighten the bolts up to 50%. Once all parts are in place, only then fully tighten the bolts.**



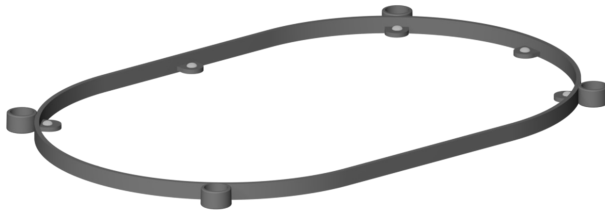
# product parts



(A)  
Glasses  
x5



(B)  
Top metal frame  
x1



(C)  
Metal frames  
x4

# product parts



(D)  
Metal Rods  
x16



(E)  
Metal legs  
x4

## assembly instructions

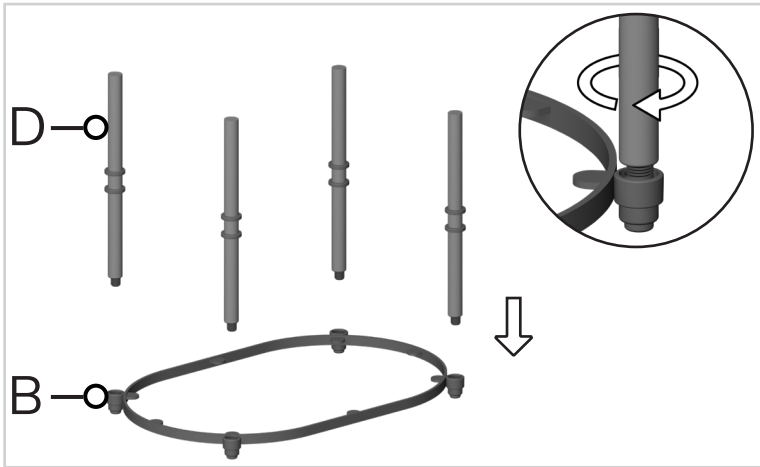
Friendly Tip: Take a deep breath going in. This may be a tricky part, but nothing too overwhelming. Just follow these steps to the T and the outcome will be worth it!



- ⓘ While assembling the product, tighten the bolts up to 50%. Once all parts are in place, only then fully tighten the bolts.

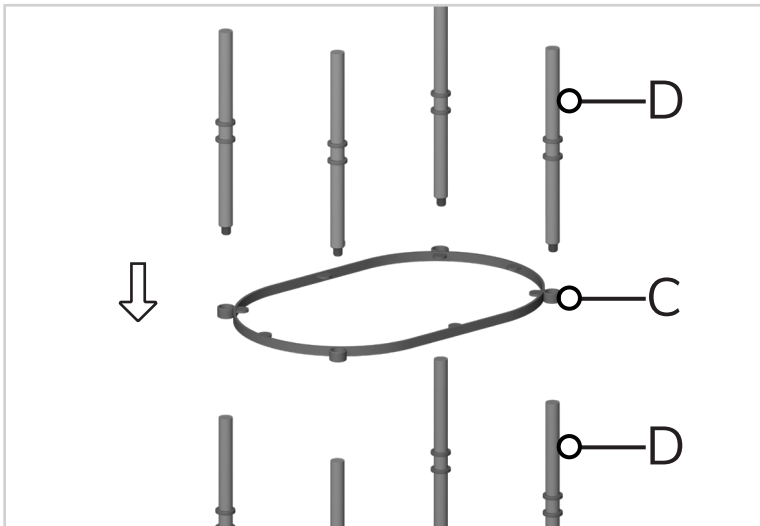
### step 1:

Place Top Metal Frame (B) upside down and attach the metal rods (D) by rotating them clockwise as shown below. Tighten them upto 80%.



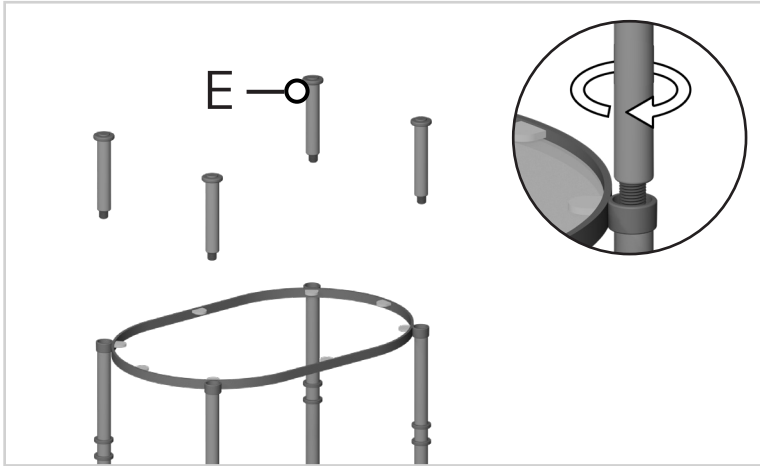
### step 2:

Similarly, place the one of the metal frame (C) on the rods, and attach the metal rods (D) by rotating them clockwise as shown below.



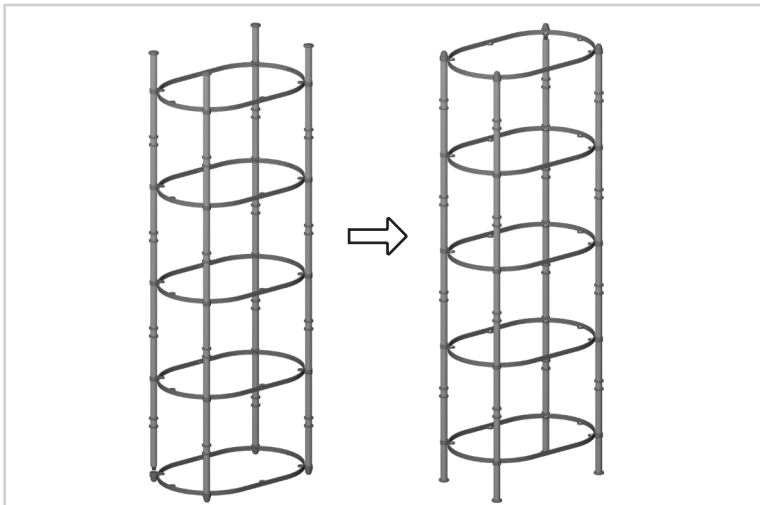
### step 3:

Similarly, attach the remaining metal frames (C) and metal rods (D). Lastly, attach the metal legs (E) to the metal frames (C) by rotating clockwise.



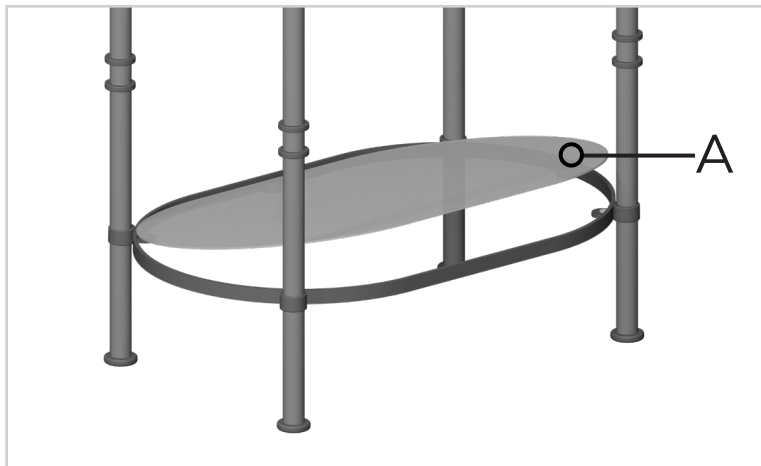
### step 4:

Once all the parts are aligned, tighten them fully to ensure maximum sturdiness and flip the assembled bookcase upside down.

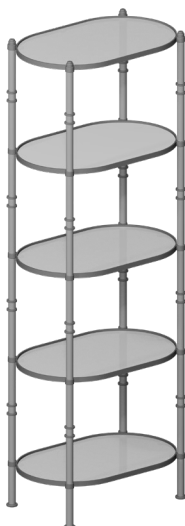


## step 5:

Now, start by placing the glasses (A) from bottom to top over the preattached bumpons. Ensure that they are held securely and fixed properly in place.



Similarly, place all the glasses and your bookcase is completely assembled.



---

**Voila! Your bookcase is now assembled and secure!**