

Stock Code: **50011LEDD-BL/CLR-120V**

Collection: Transformer

PRODUCT INFORMATION

Base: 50011 Parent: 50011LEDD
Mounting Type: Ceiling UPC: 641594253412
Finish: Black
Diffuser: Clear

PRODUCT MEASUREMENTS

FIXTURE**	BACKPLATE / CANOPY**
Length: 3"	Length 4.5"
Width: 3"	Width: 4.5"
Diameter	Diameter:
Height: 8.25"	Height: 0.5"
Extension:	
Overall Height:	

TECHNICAL SPECIFICATIONS

SPECIFICATIONS

Frame Material: Aluminum
Diffuser Material: Glass
Lamping Type: SSL (Dedicated LED) Jbox: Standard
Lamping Base: SSL Lamp Wattage: 11 W
Lamp Quantity: 1 Total Wattage: 11 W
Voltage: 120v Lamps Included: Yes

QUALIFICATIONS

Location Rating Damp
Certification: UL (US/Canada) Listed
ADA Compliant: No Energy Star: No
JA8 Compliant: Yes Emergency Lighting: No
Marine Grade Finish: No
Warranty**: 5 Year

PHOTOMETRICS

Dimmable: Yes Nominal Lumens: 1200 Lm
CRI: 90 Delivered Lumens: 95 Lm
CCT: 3000K
Recommended Dimmers:

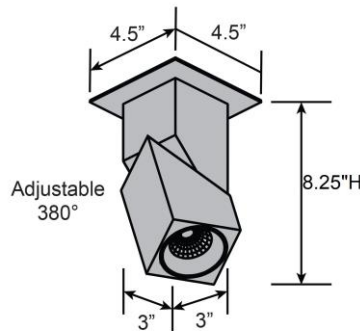
ADDITIONAL NOTES

Custom Finish 100 Piece Minimum Order Quantity; Optional
Color Temperature 100 Piece Minimum Order Quantity

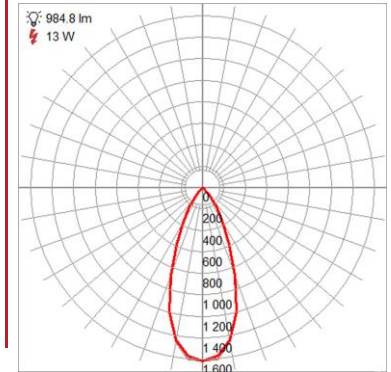
Project Name: _____
Location: _____
Type: _____
Quantity: _____
Notes: _____



LINE DRAWING



IES FILE



In addition to Access Lighting's purchase and warranty terms and conditions, by signing below or placing an order, you agree that you are authorized to bind the entity placing any order and acknowledge the following: All of sizes and measurements are approximate and all images are for illustrative purposes only. In the event of an inconsistency, the "Product Measurements" section controls. There also may be slight differences in the colors and designs compared to the displayed and printed images.

Signature: _____
Print Name _____ Date: _____

Toll Free 800-828-5483 www.AccessLighting.com
301 Piedmont Grove Park, Suite A, Greenville, SC 29611



** NOTE: All measurements are rounded up to the 1/4 inch. There is no warranty on any replaceable bulbs, even if included with the fixture.
Copyright Access Lighting Corp. All information is subject to change without notice. 1/9/2026 50011LEDD-BL_CLR-120V.pdf