



INSTRUCTION MANUAL

ASSEMBLY GUIDE

Congratulations, you are now the owner of the new chair!

Before enjoying the comfortable chair, you have to assemble it. This assembly guide will take you through the basic assembly process. To make sure your assembly progress goes smoothly, please follow the assembly instructions **especially the important safety information.**

It is possible to assemble the chair by your own, while having **a second person to help you will make it easier.**



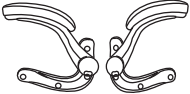
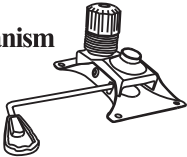
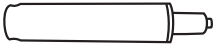

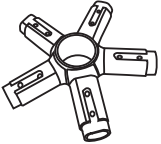





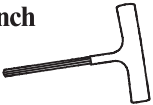


Please check if there are any missing parts in the package before start. If there are any issues, please don't hesitate to drop us an email and we'll help you ASAP.

WARNING

To ensure proper assembly, please follow all steps and use all parts. Failure to follow this warning can result in serious injury to yourself or others.

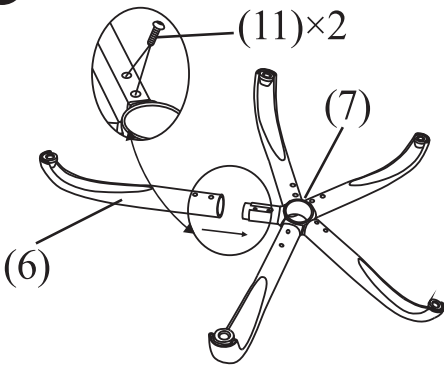
Package List

- Without further ado, we kindly suggest you to list all parts needed for the chair first.

<p>(1)*1 Back</p> 	<p>(2)*1 Seat</p> 	<p>(3)*1(L)*1(R) Armrest</p> 
<p>(4)*1 Mechanism</p> 	<p>(5)*1 Gas Lift</p> 	<p>(6)*5 Legs</p> 
<p>(7)*1 Base</p> 	<p>(8)*5 Casters</p> 	<p>(9)*4 Bolts</p>  M6X20mm
<p>(10)*8 Bolts</p>  M6X25mm	<p>(11)*10 Bolts</p>  M6X14mm	<p>(12)*8 Caps</p> 
<p>(13)*1 Wrench</p> 	<p>(14)*1 Headrest</p> 	<p>(15)*1 Lumbar Support</p> 

Assembly Instruction

1



• Step 1:

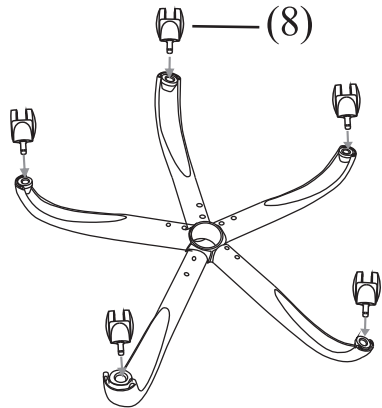
Turn the Base (7) upside down, then insert Legs (6) one by one to Base.

Use the Wrench (13) to screw Ten Bolts (11) into the pre-drilled screw holes to fix Base and Legs.

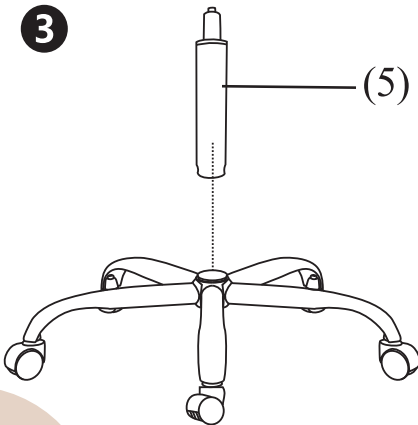
Step 2:

Both hands are forced at the same time to press the Casters (8) into the holes at the end of each Base Leg.

2



3



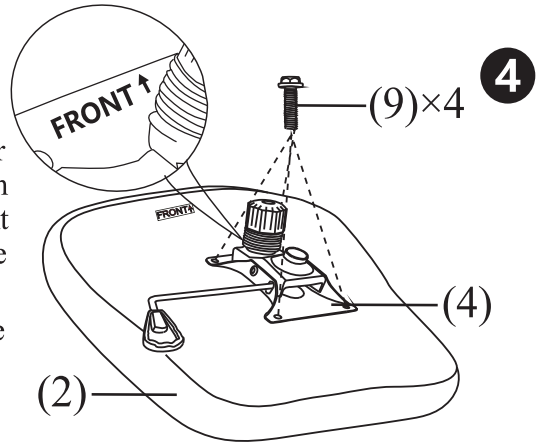
• Step 3:

Insert the Gas Lift (5) into the center hole of the Base.

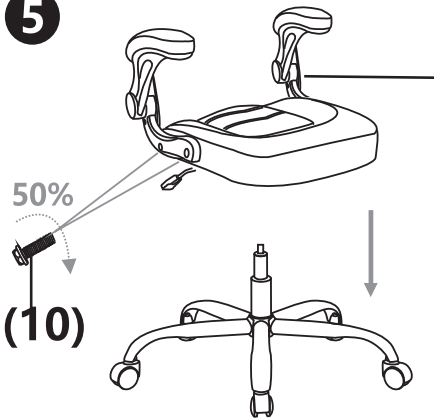
• **Step 4 :**

Align the Mechanism (4) over the pre-drilled holes underneath the Seat (2), make sure the front of the mechanism is facing the front of the Seat.

Attach the Mechanism to the Seat using Four Bolts (9), tighten all the bolts with the Wrench (13).



5



• **Step 5 :**

Turn the Seat (2) upright and align the center hole of the Seat Plate over the lift, then push the Seat down onto the lift firmly until the connection is secure.

Attach the Armrest (3) to the Seat (2) with Two Bolts (10), using the Wrench (13) to tighten.

The Bolt only needs to be screwed in 50%. The installation of the other side Armrest is the same.

Note 1: The same marks on both seat and armrests are tips for installing the armrests in the correct direction.

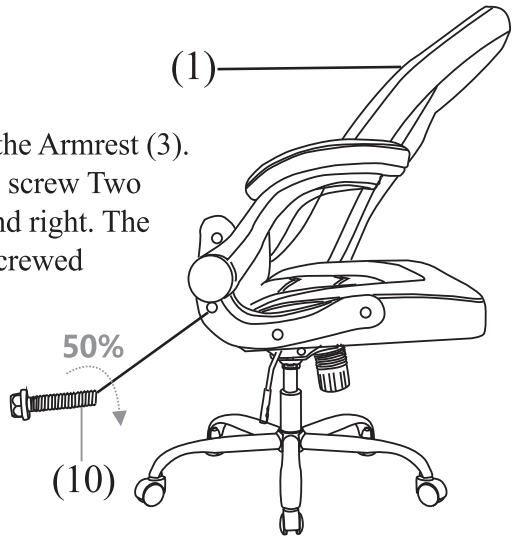
Note 2: Armrests are labeled with letter "L" (left) or "R" (right).

(1)

6

• **Step 6 :**

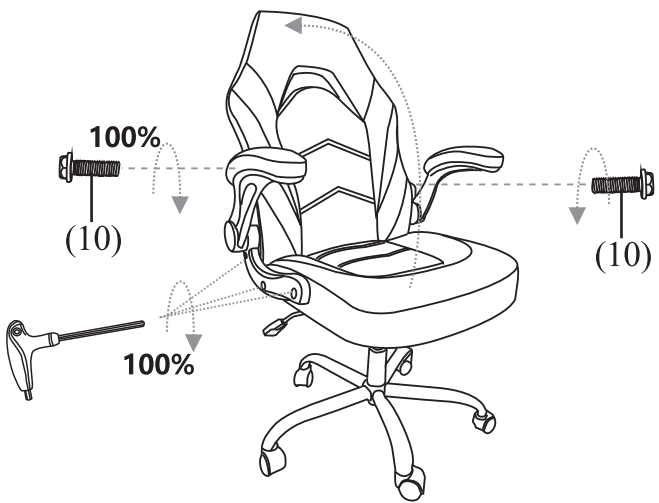
Attach the Back (1) to the Armrest (3).
Use the Wrench (13) to screw Two Bolts (10) on the left and right. The Bolt only needs to be screwed in 50%.



• **Step 7 :**

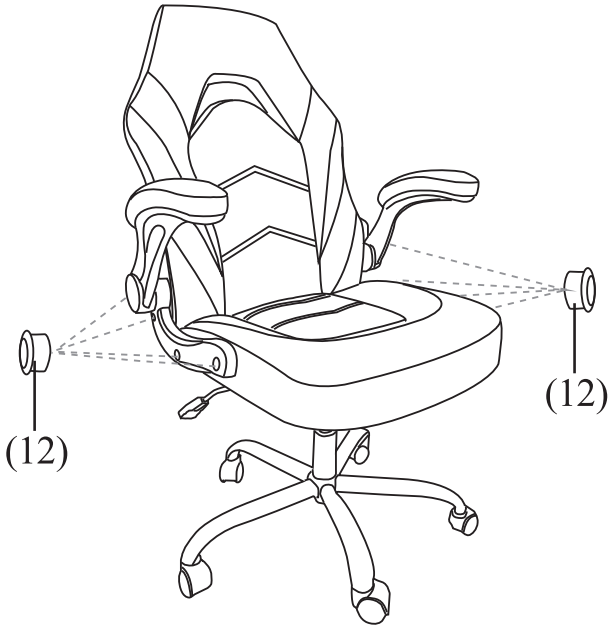
Rotate the back of the chair up, then secure it with the Bolt (10) use the Wrench (13). Adjust the balance on each side of the chair, and 100% tighten all the bolts at this step.

7



- **Step 8 :**

Press Caps **(12)** into screw holes of each side.



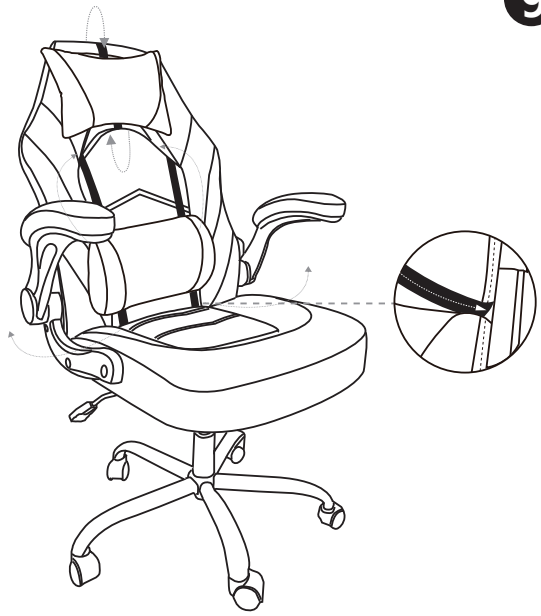
CAUTION:

Make sure all bolts and screws are fully tightened before using chair. Lubricate all moving parts and tighte all bolts/screws every 6 month or whenever needed.

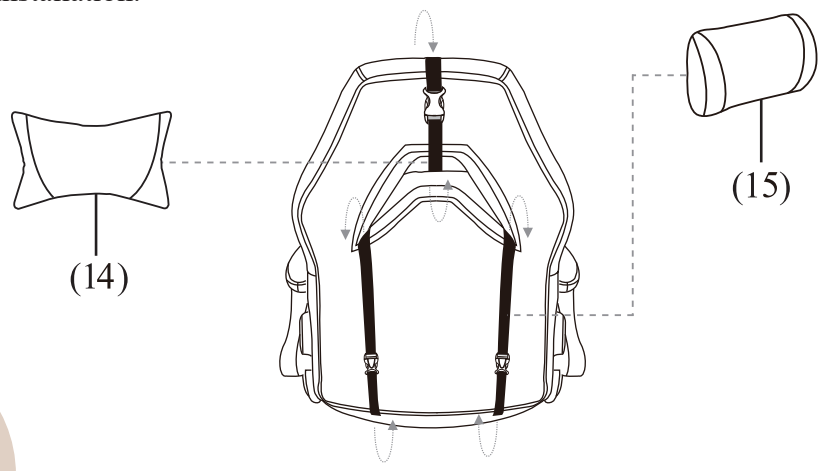
• Step 9 :

Secure **(14)** to the top of the chair using the elastic band.

To set **(15)** thread the bottom two elastic bands through the armrest and backrest holes, pulling them toward the center.

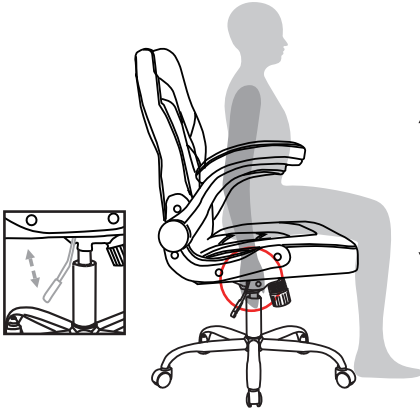


Then, thread the top two elastic bands through the holes above the backrest. Finally, secure both sets of elastic bands to complete the installation.



Instructions For Use

1. Seat Height: Paddle-shaped lever on the right side



To raise:

While taking your weight off chair, lift lever up.

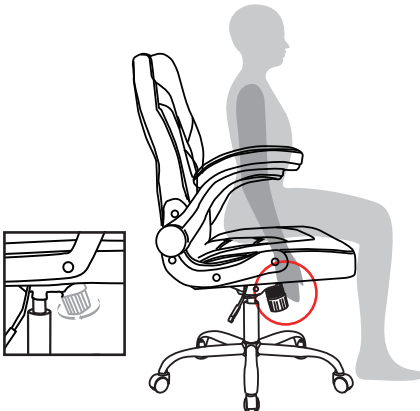


To lower:

While seated, lift lever up.

* At the proper height, your feet should rest flat on the floor.

2. Tilt Tension: Long stem under the seat with knob



To increase tension:

While seated, turn knob forward (Counter clockwise).

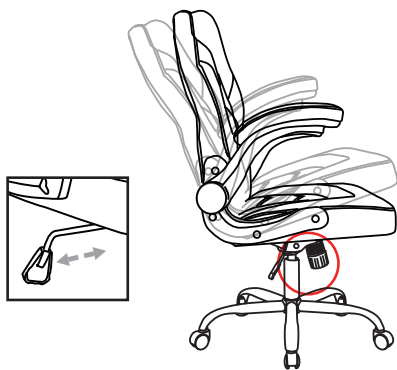


To decrease tension:

While seated, turn knob backward (Clockwise).

* Set the tilt tension to control the resistance you feel when leaning back.

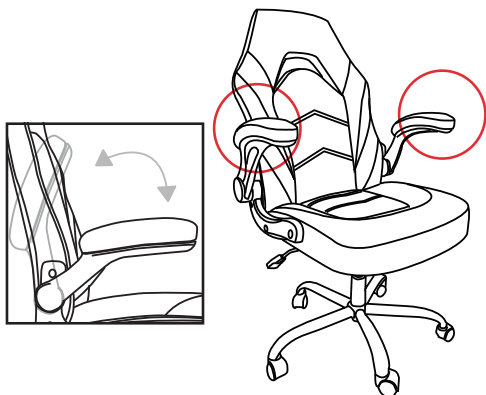
3. Operating the tilt lockout



To let your chair tilt back, pull the control handle out.

To stop your chair from tilting, sit forward, then push the control handle in.

4. Armrests adjustment



The armrest can be adjusted.
Make it up and down if you need.

Safety And Maintenance

- Do not stand on the chair, Do Not use the chair as a stepladder.
- Use this product for seating one person at a time.
- Do not use the chair unless all bolts and screws are firmly secured.
- Avoid contact with sharp objects to prevent puncturing the fabric.
- Every 6 months, check all bolts and screws to ensure they are tight.
- To clean, spot clean only using a damp towel and mild cleaner, first test on a small, unseen area of fabric.
- Chair weight limit not to exceed 275 lbs.

Safety Information



Sit in the center of the chair, with your back to the backrest



Do not sit at the front edge of the chair



Do not stand on the chair



Do not use the chair with more than one person



Do not push the chair around when a person is sitting in it



Do not push down on the backrest when a person is reclined



Do not place all your weight on only the backrest

Limited Warranty

The producer promises to repair or replace any chair that is found to be defective in material or workmanship within one(1) and year from the date of original purchase so long as you, the original purchaser, still owns it. This is your sole and exclusive remedy. This warranty is subject to the provisions below.

EXCLUSIONS:

This warranty does not apply and no other warranty applies to:
Normal wear and tear, which are to be expected over the course of ownership.

Misuse, abuse, or excessive use of the product.

Modifications or attachments to the product that are not approved by the manufacturer.

Products that were not installed, used or maintained in accordance with product instructions and warnings.

Products used for rental or commercial purposes.

Damage caused by the carrier in-transit is handled under separate terms.

SEATING USAGE:

Normal use for seating is identified as the equivalent of a single shift, forty- (40) hour workweek. To the extent that a seating product is used in a manner exceeding this, the applicable warranty period will be reduced in a pro-rata manner.

Some retailers might have custom models imported directly from the factory and therefore are not supported by our local service team because we don't have the correct parts, please contact your retailer directly for support. If you have any questions about that we will be happy to assist and identify those items.