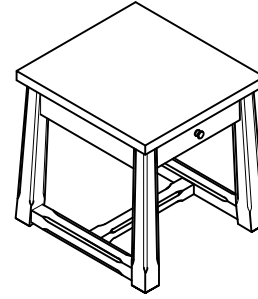


ASSEMBLY INSTRUCTIONS



RECTANGULAR DRAWER END TABLE
CHAIRSIDE TABLE

TOOLS REQUIRED:

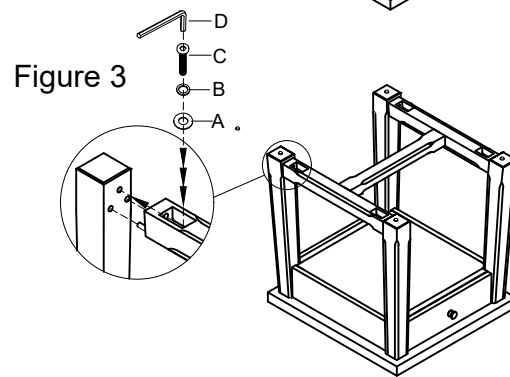
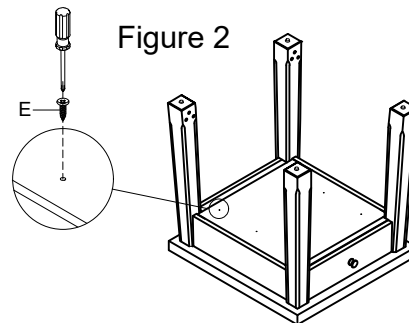
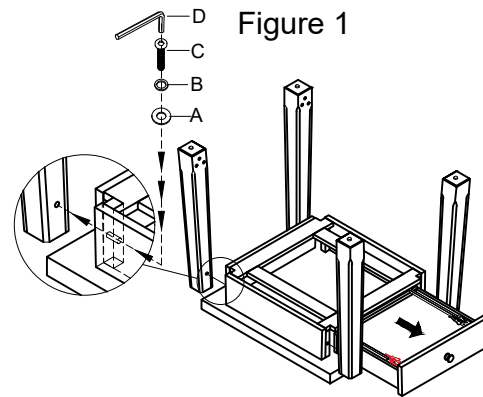
Allen Wrench (Provided, Part D)



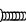


BEFORE YOU START:

1. Check the hardware against the hardware list to make sure all items are present.
2. Assemble your furniture on a soft, flat surface to avoid scratching the finish.
3. **CAUTION:** Do not over tighten screws, nuts or bolts during assembly.
4. Your furniture may require occasional tightening.

INSTRUCTIONS:

1. Turn the table on to a clean soft surface.
2. Open the drawer, then attach four legs to aprons using Bolt (C), Lock Washer (B) and Flat Washer (A) and tighten with the Allen Wrench (D). As Shown in Figure 1.
3. Attach the dust panel to the bottom of the table, using Screw (E) as shown in Figure 2.
4. Attach the bottom stretchers to four legs using Bolt (C), Lock Washer (B) and Flat Washer (A) using Allen Wrench (D) as shown in figure 3.
5. Tighten all bolts before setting table back upright.



HARDWARE LIST			
A		Flat Washer (Ø5/16")	8pcs
B		Lock Washer (Ø5/16")	8pcs
C		Bolt (Ø5/16"*1-3/4")	8pcs
D		Allen Wrench	1pcs
E		Screw (#6*15")	6pcs