



Shoe Cabinet

Assembly Instruction

DJ504484_1 ●

DJ504484_2 ●

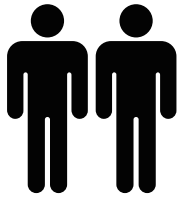
Version:1.0

*Actual product may vary.

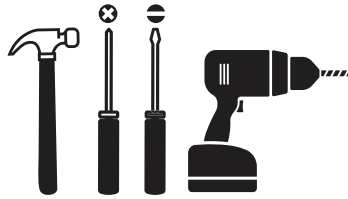
AOGLLATI

Home
Distinctively Yours!

1. Installation precautions



2 PERS.



Tools required (not included)

2. Matters needing attention

⚠ WARNING



Children have died from furniture tipover. To reduce the risk of furniture tipover:

- ALWAYS install Anti-tip device provided.
 - NEVER put a TV on this product.
 - NEVER allow children to stand, climb or hang on drawers, doors, or shelves.
 - NEVER open more than one drawer at a time.
- Place heaviest items in the lowest drawers.

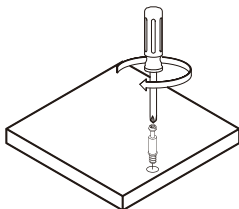


This is a permanent label. Do not remove!

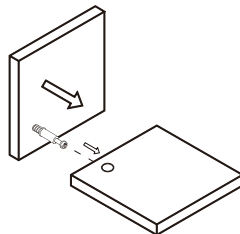
Cam Lock Fastening System

Insert the cam bolt into the hole first, then insert the cam lock and lock it.

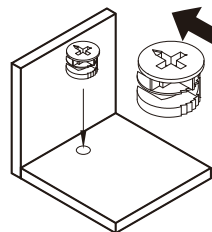
1.



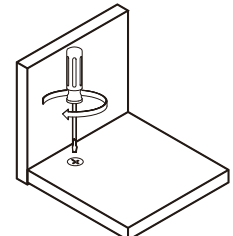
2.



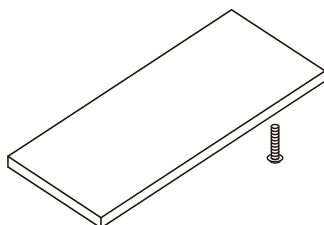
3.



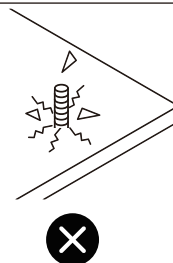
4.



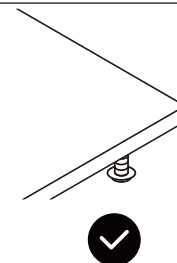
The opening must point toward the edge of the board



Be sure to use the proper screws to avoid damaging the parts.



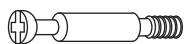
Wrong screws can cause the plank to crack



The right screw is the right size

Please check that you have all the parts listed before starting assembly, if you find something missing, please stop the assembly and contact us immediately.

1



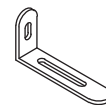
A
x14(+2)
Ø6x35mm



B
x14(+2)
Ø15x9.5mm



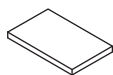
C
x2
Ø6x30mm



D
x2



E
x8(+1)
Ø4x12mm



F
x4(+2)
Ø30x20mm



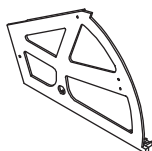
G
x10(+2)
Ø3x12mm



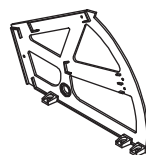
H
x2
Ø6x30mm



I
x2



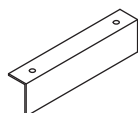
J
x2



K
x2



L
x28(+2)
Ø4x13mm



M
x2



N
x4
Ø3.5x12mm



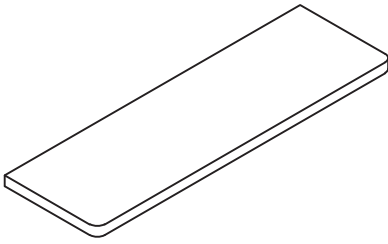
Q
x2
Ø4x35mm



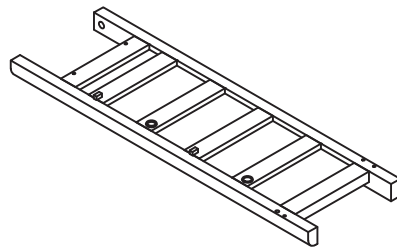
R
x4



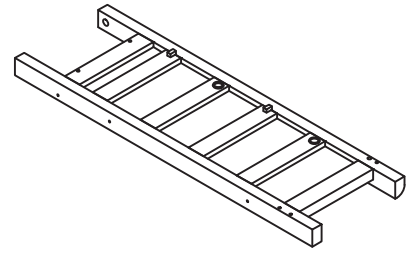
S
x4
Ø4x14mm



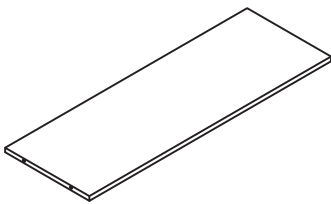
1
x1



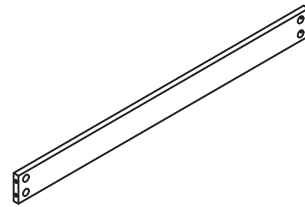
2
x1



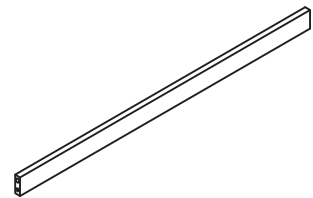
3
x1



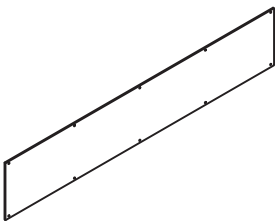
4
x1



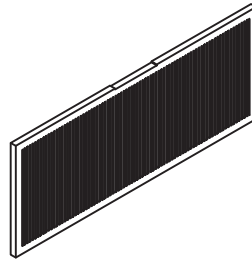
5
x1



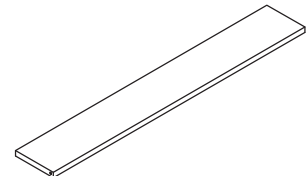
6
x1



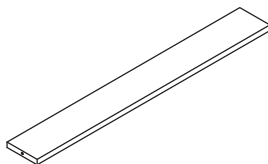
7
x1



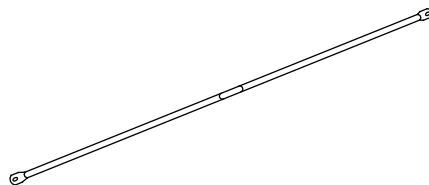
8
x2



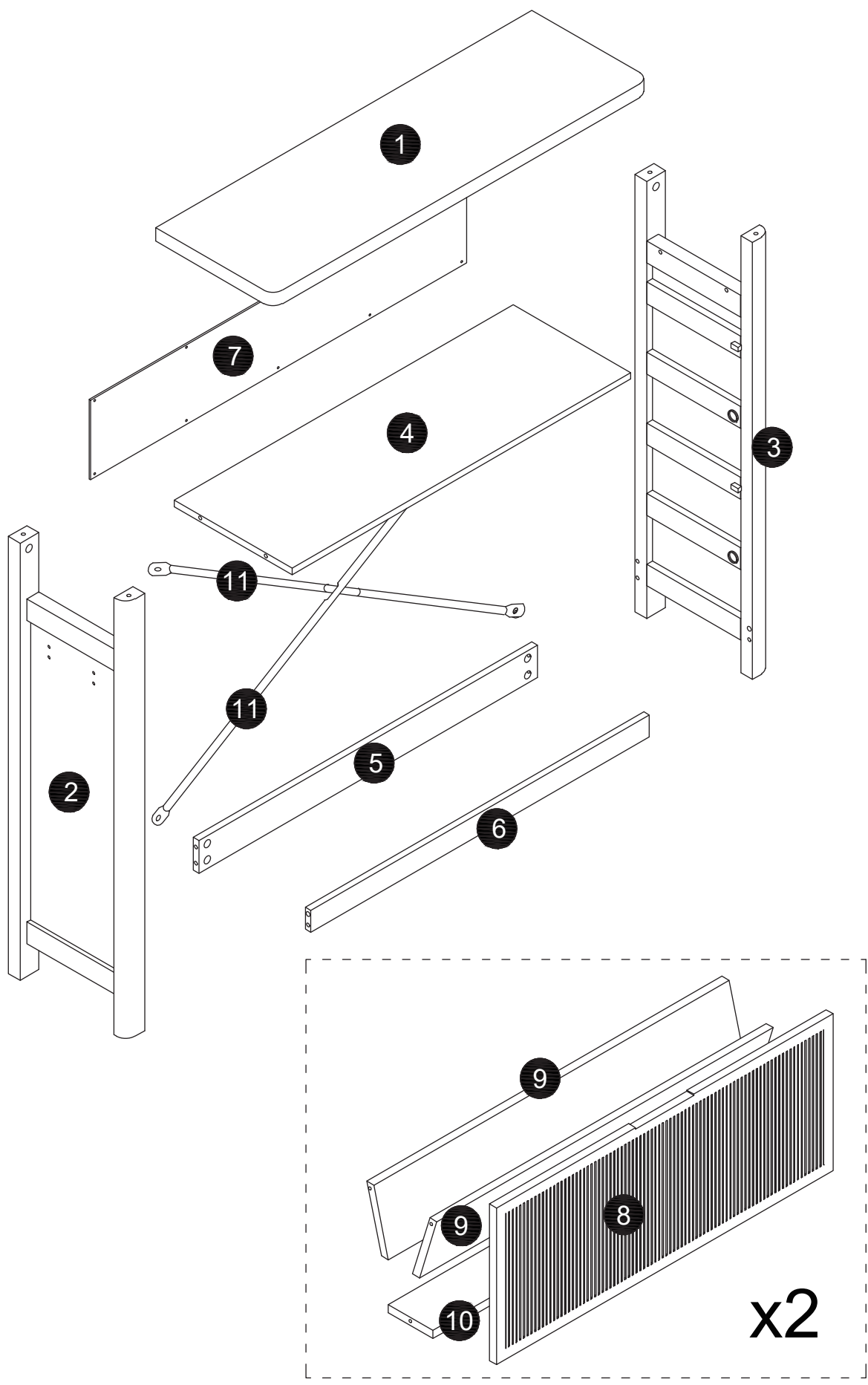
9
x4



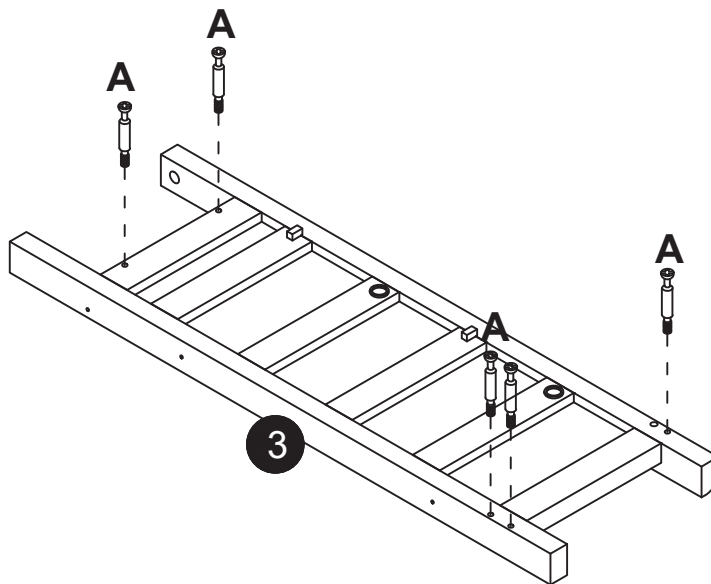
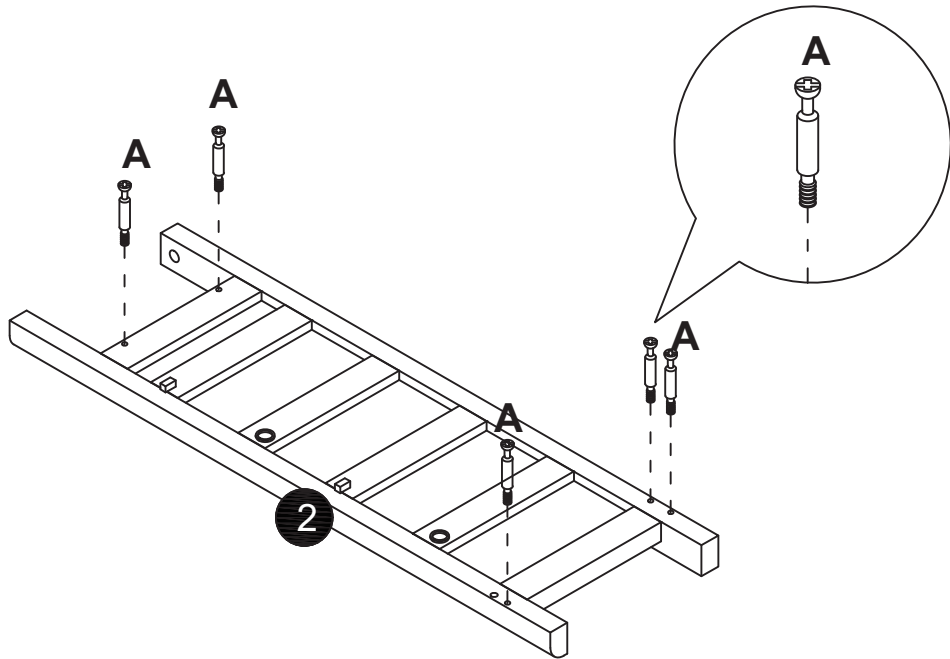
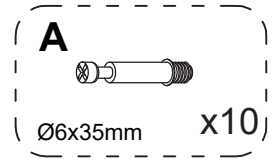
10
x2



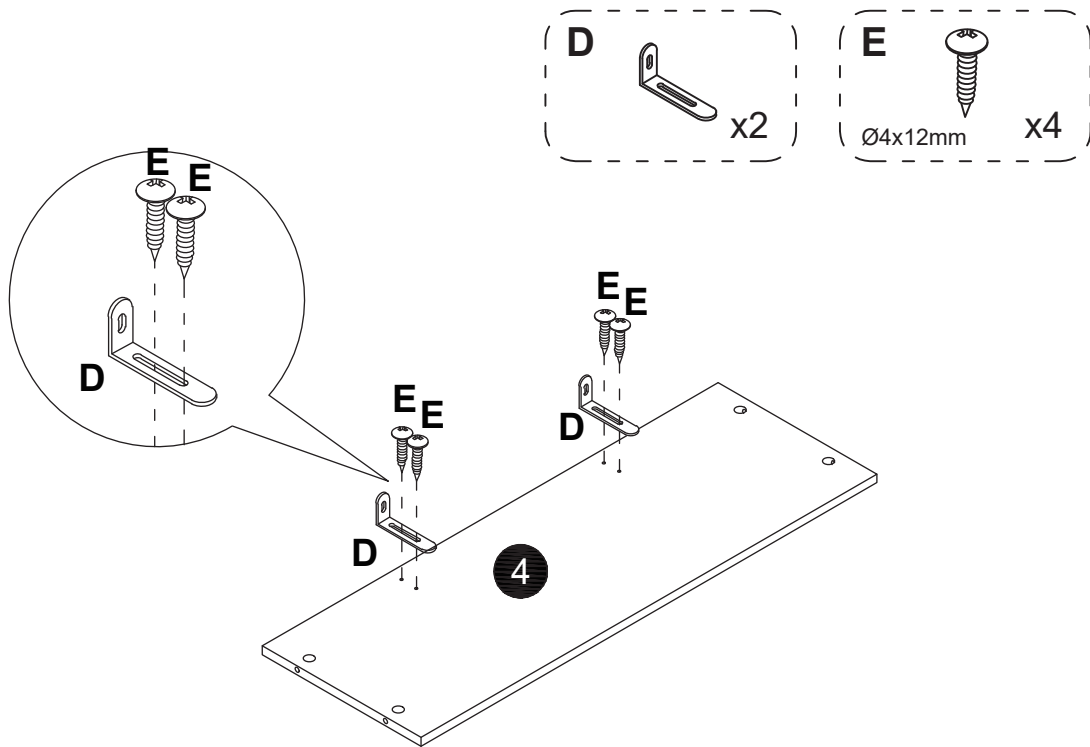
11
x2



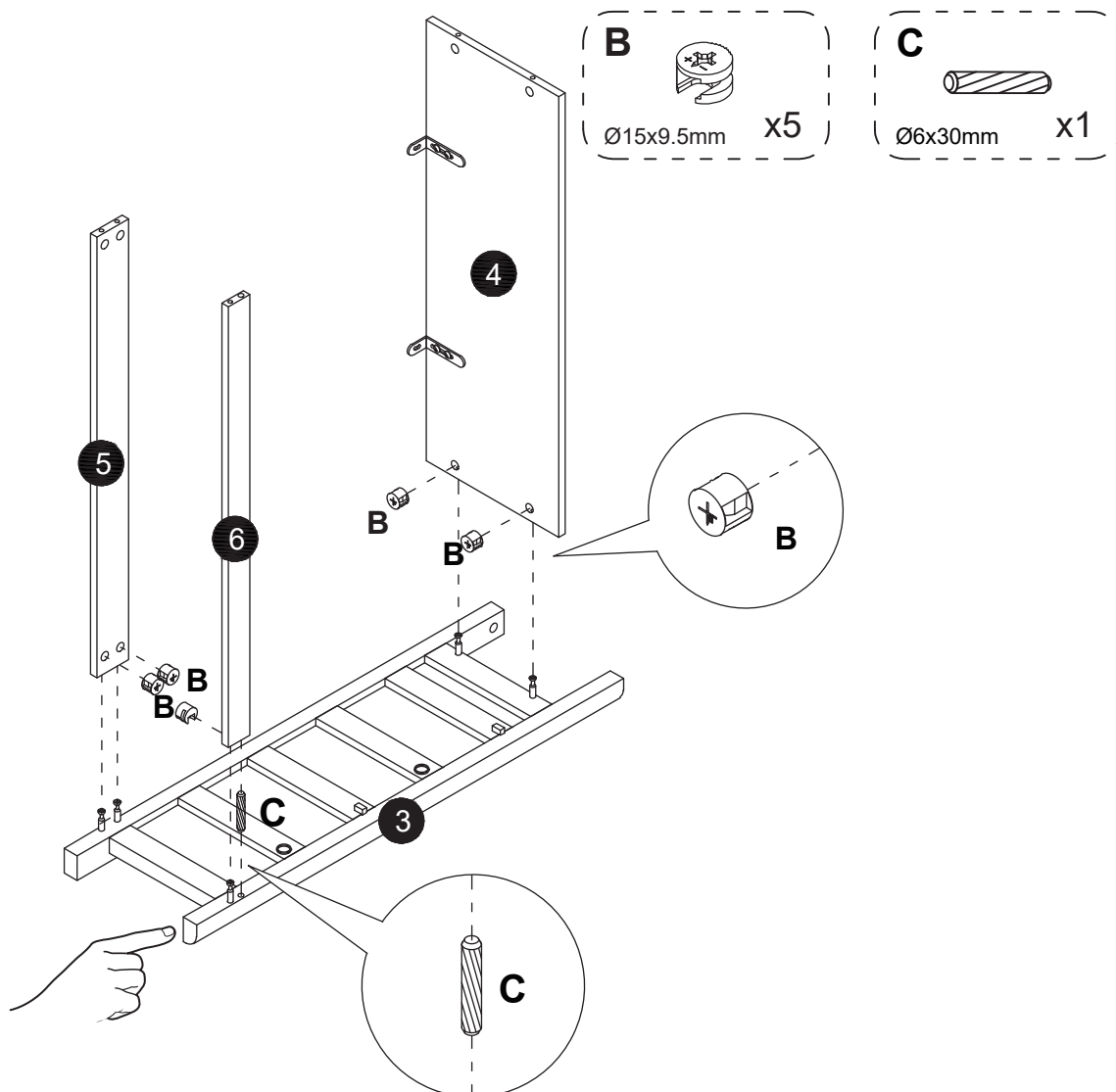
1



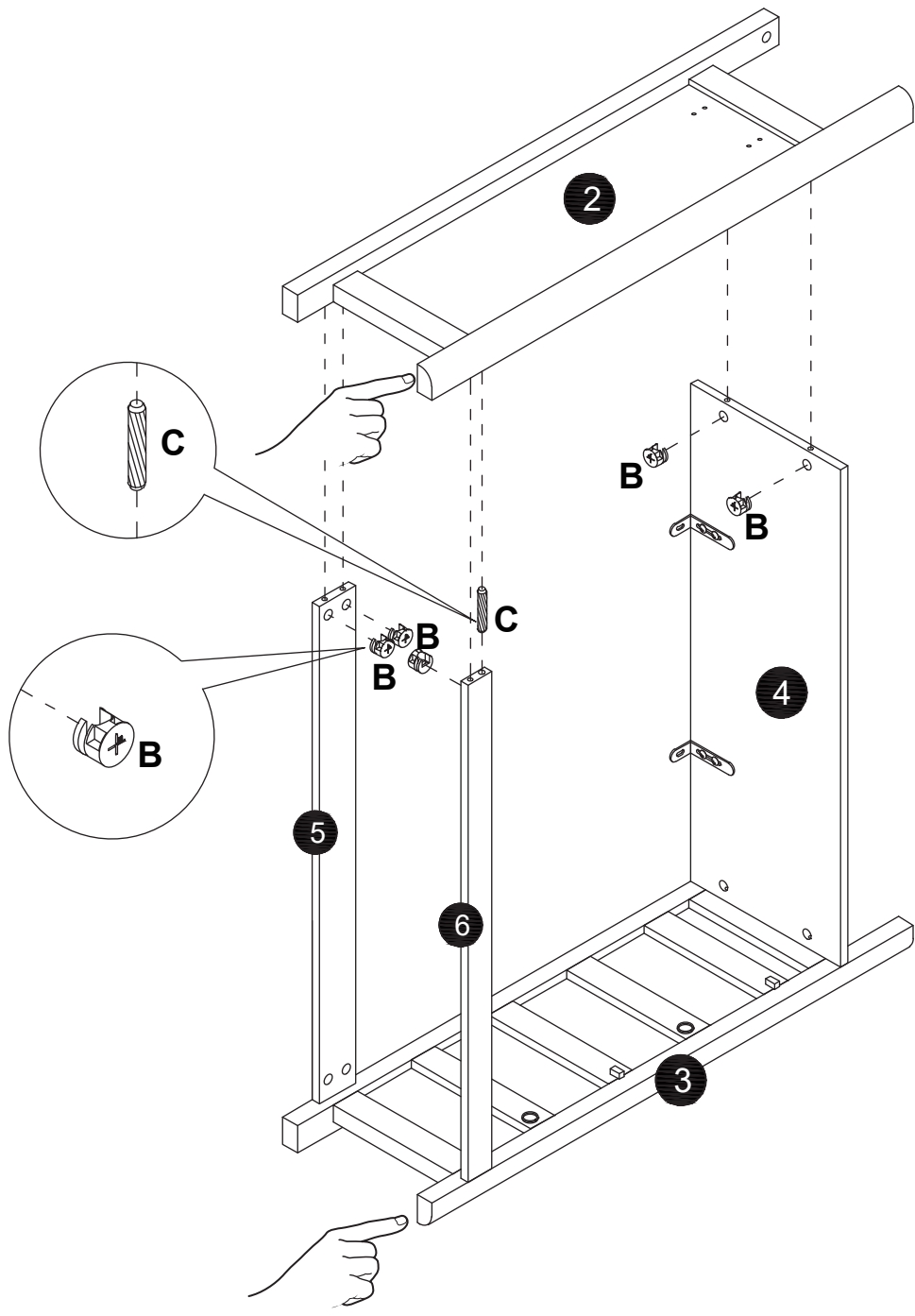
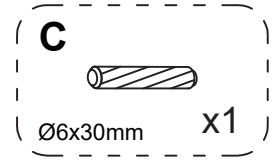
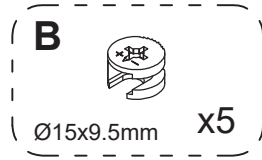
2



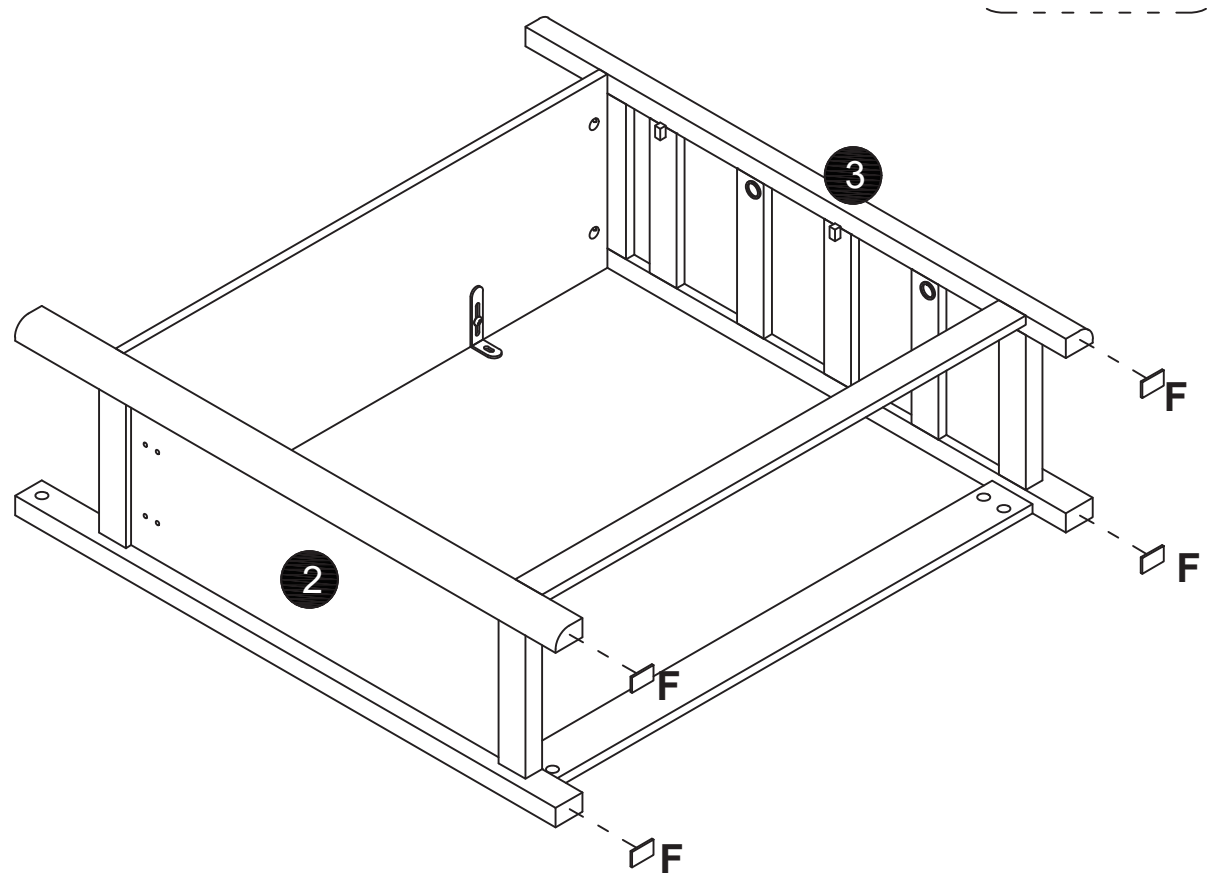
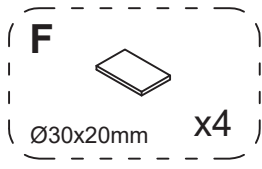
3



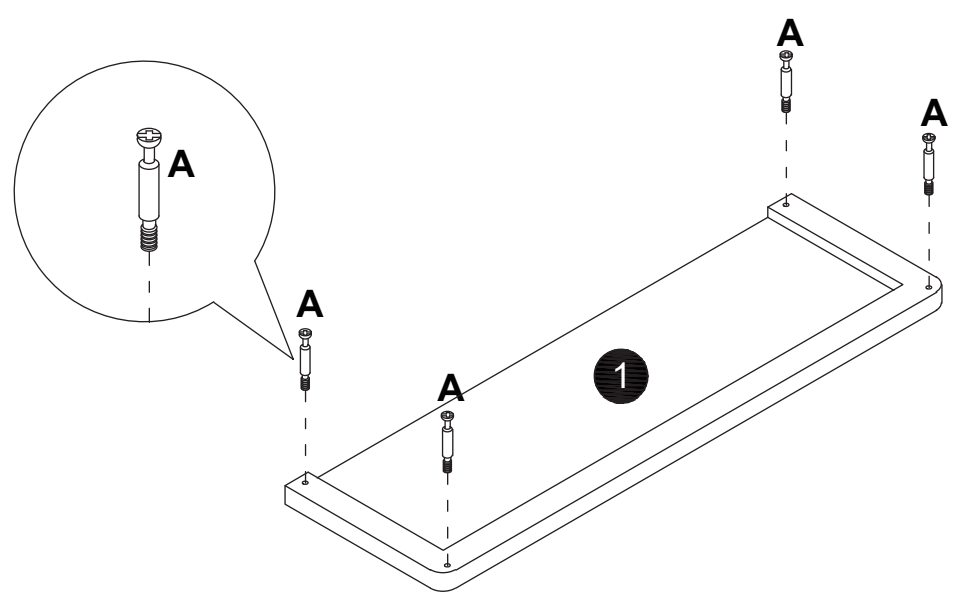
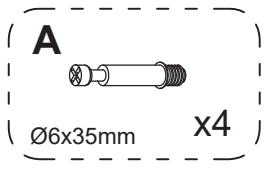
4

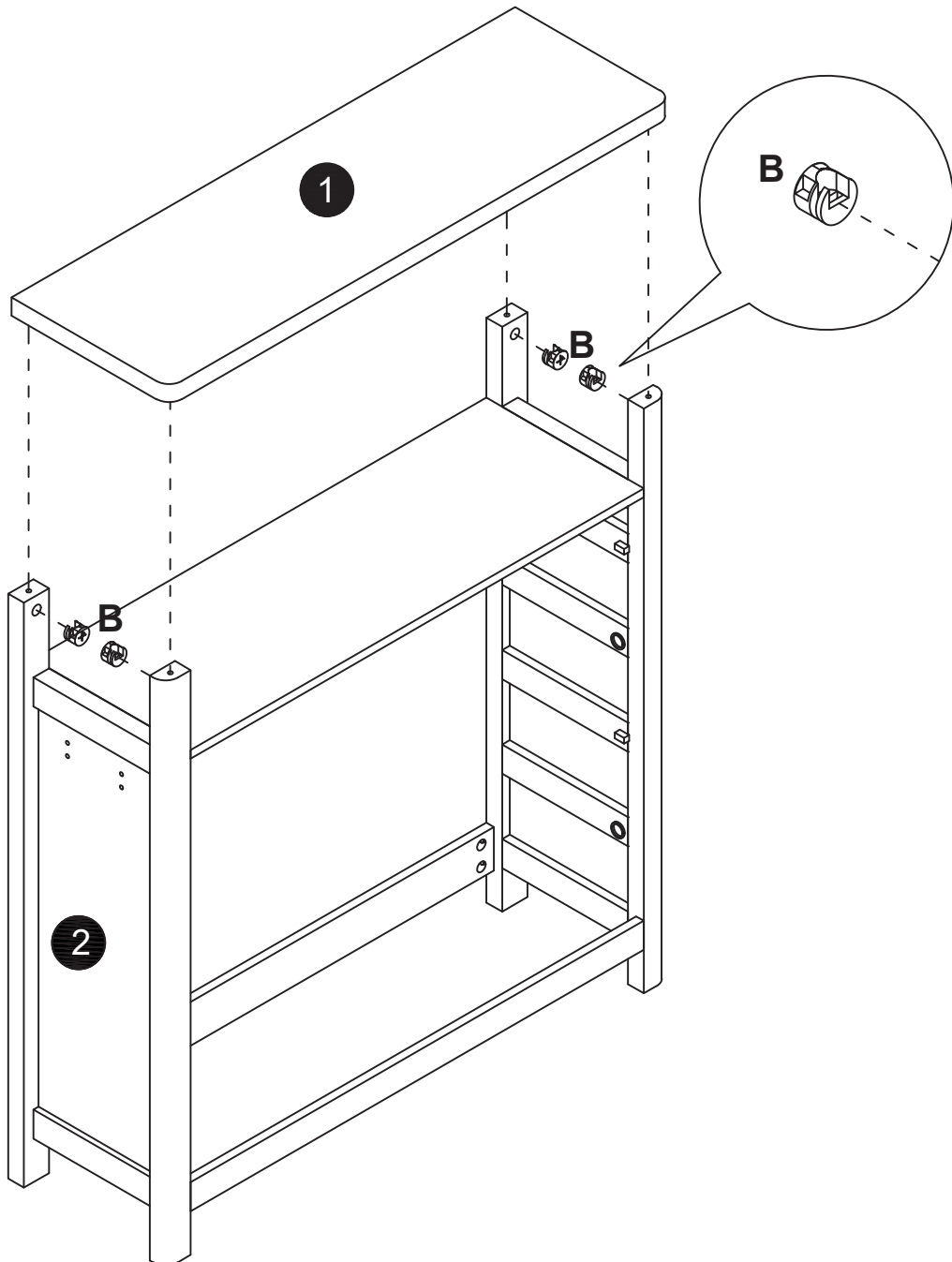
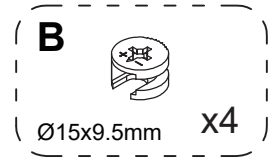


5




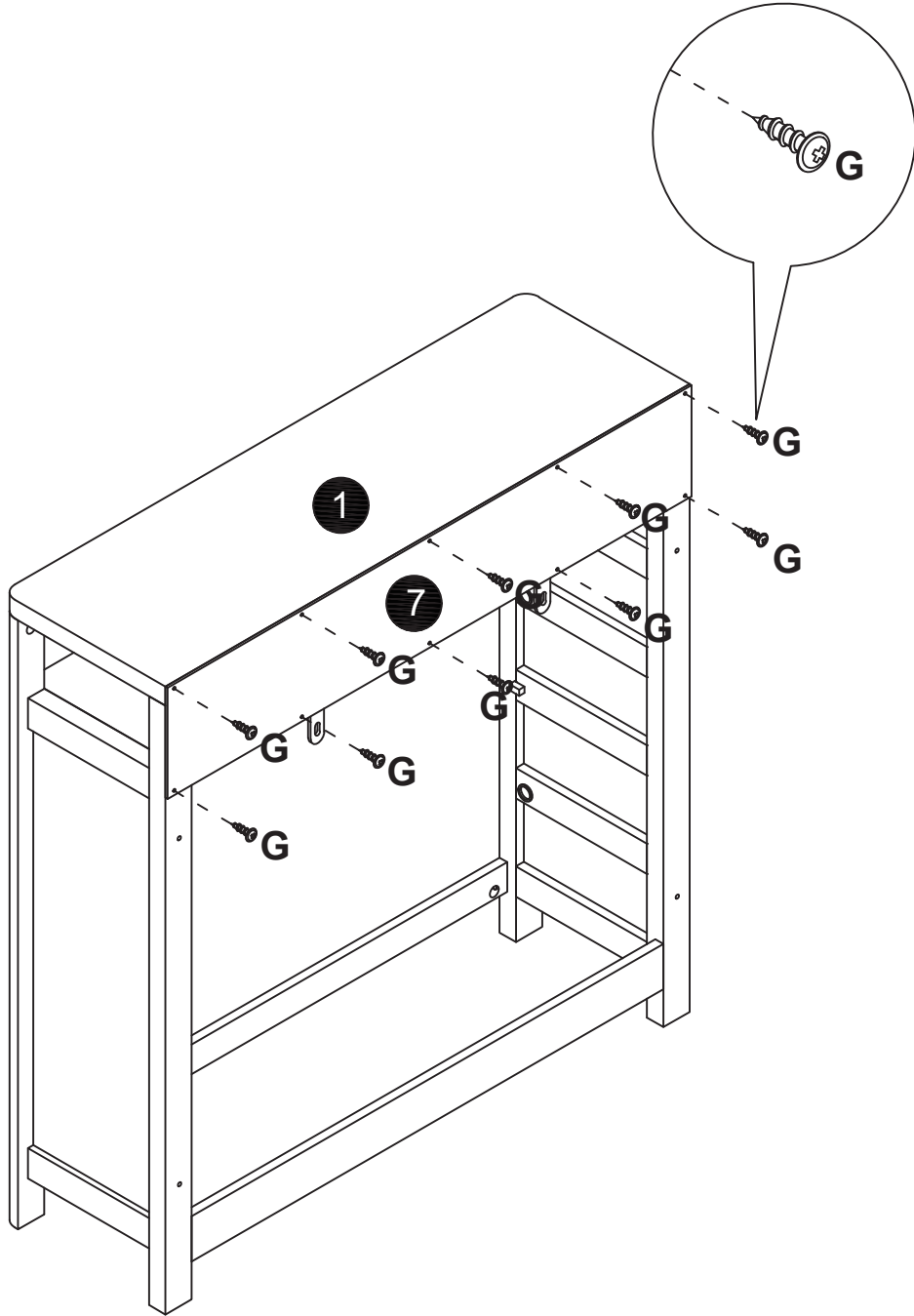
6



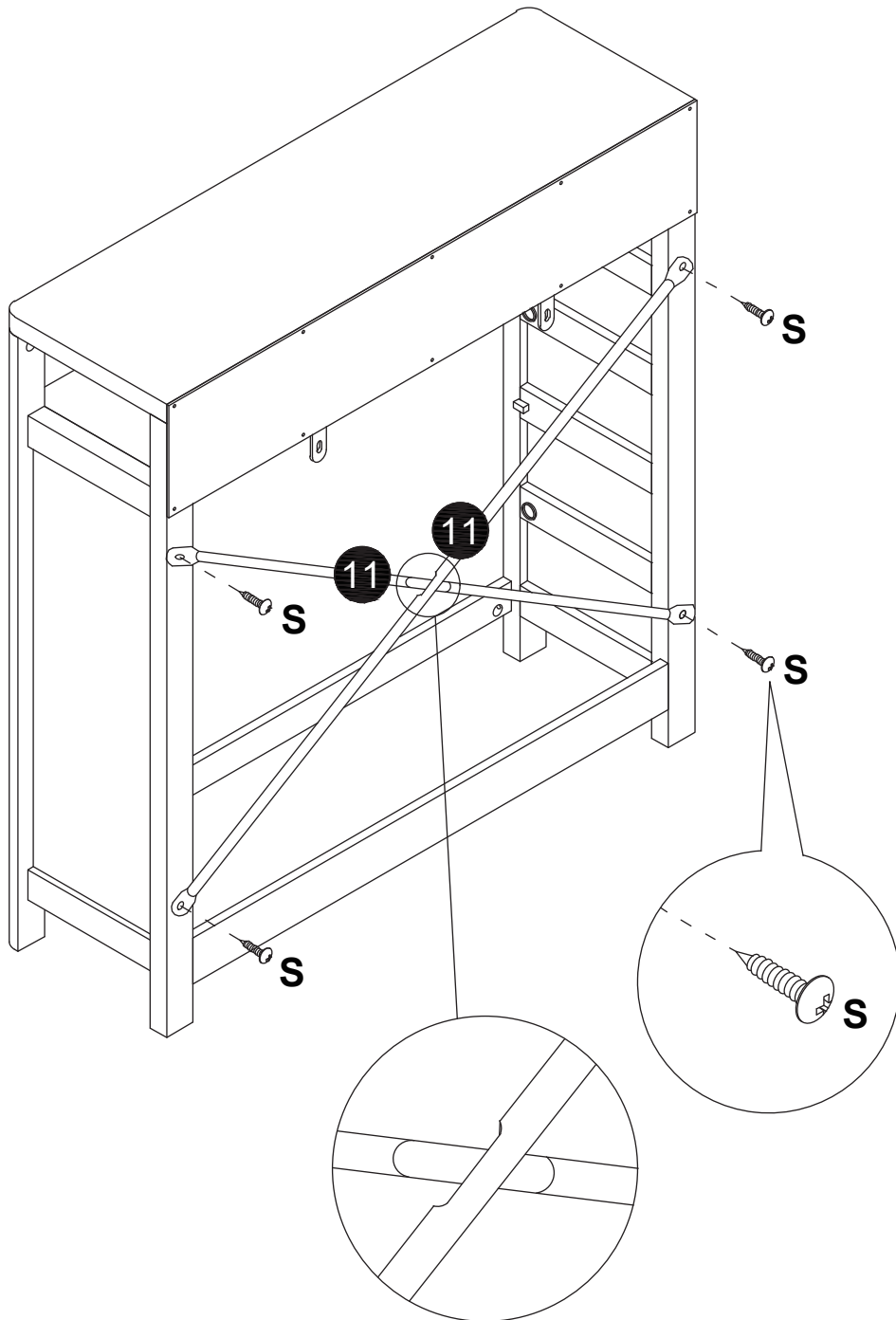
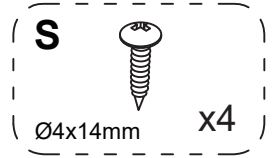
7

8

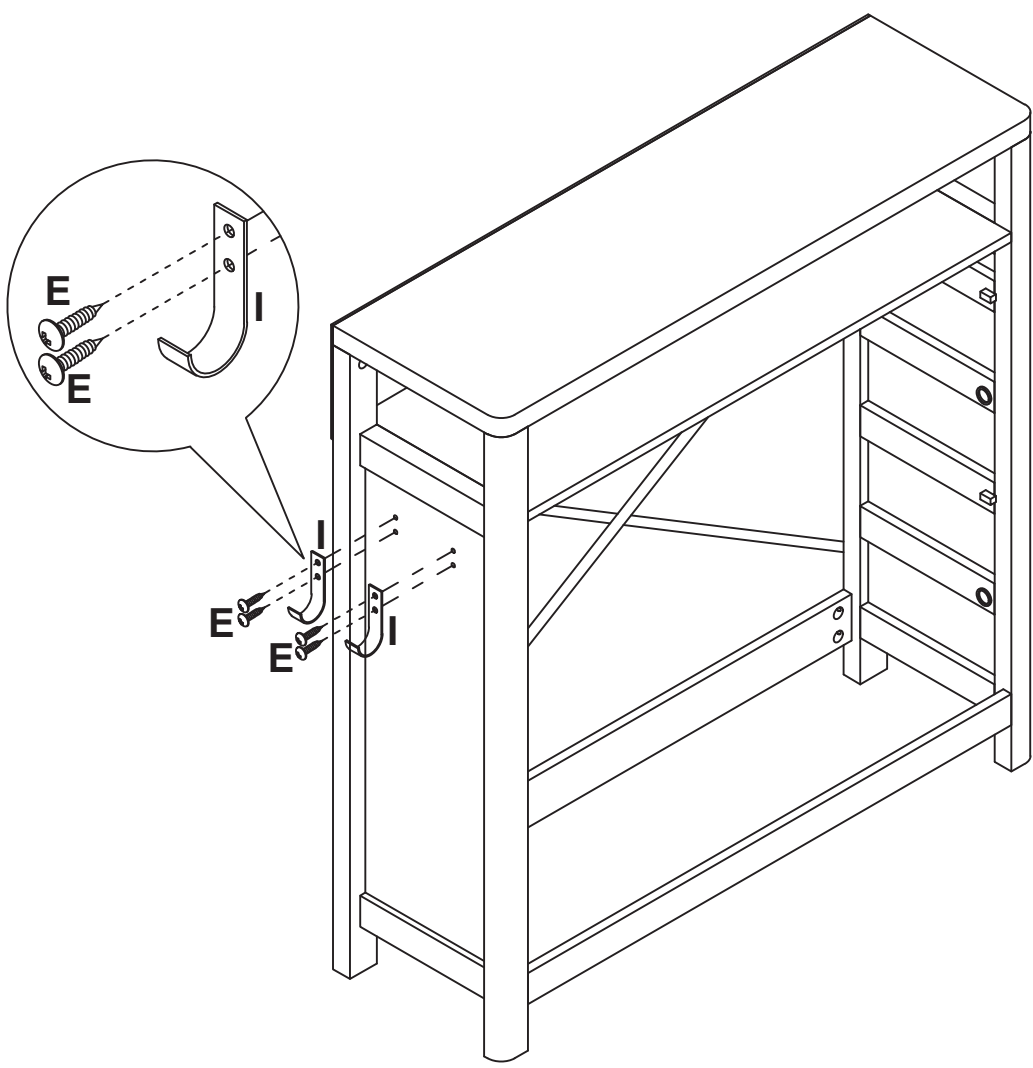
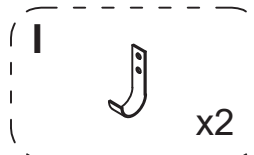
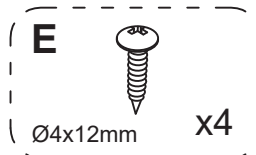
G 
(Ø3x12mm x10)



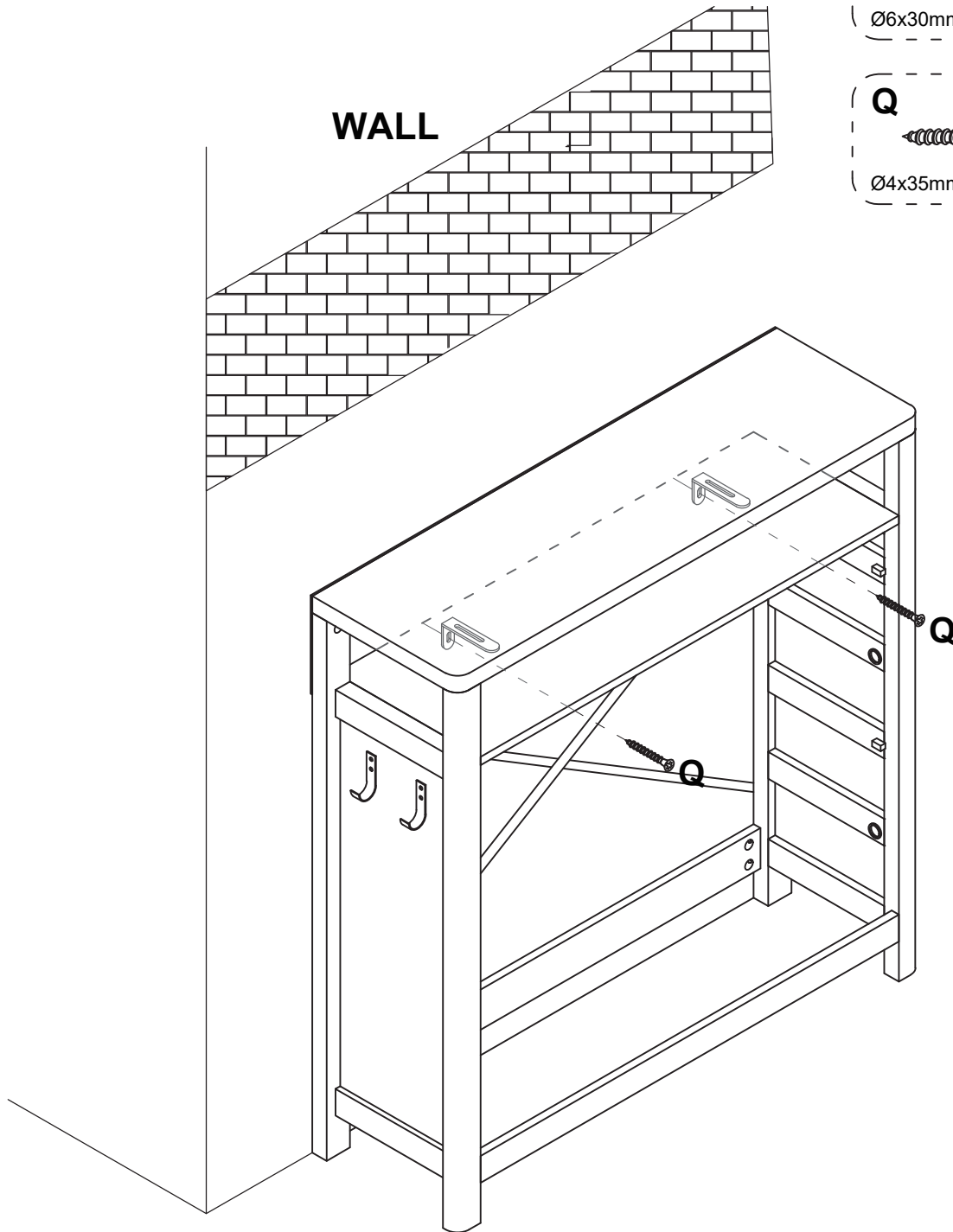
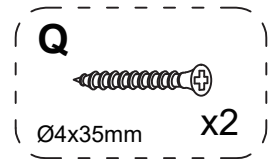
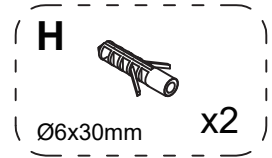
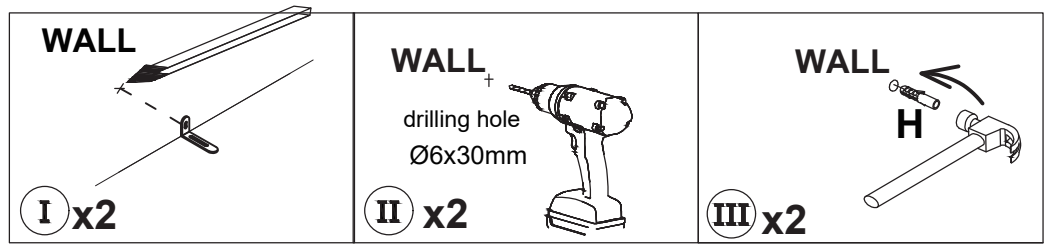
9



10

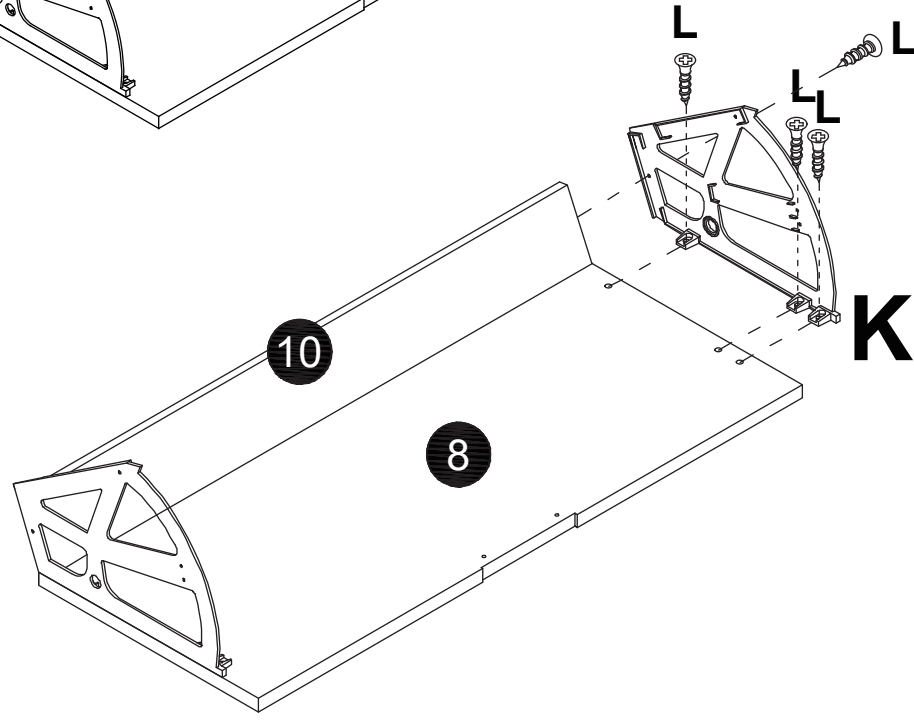
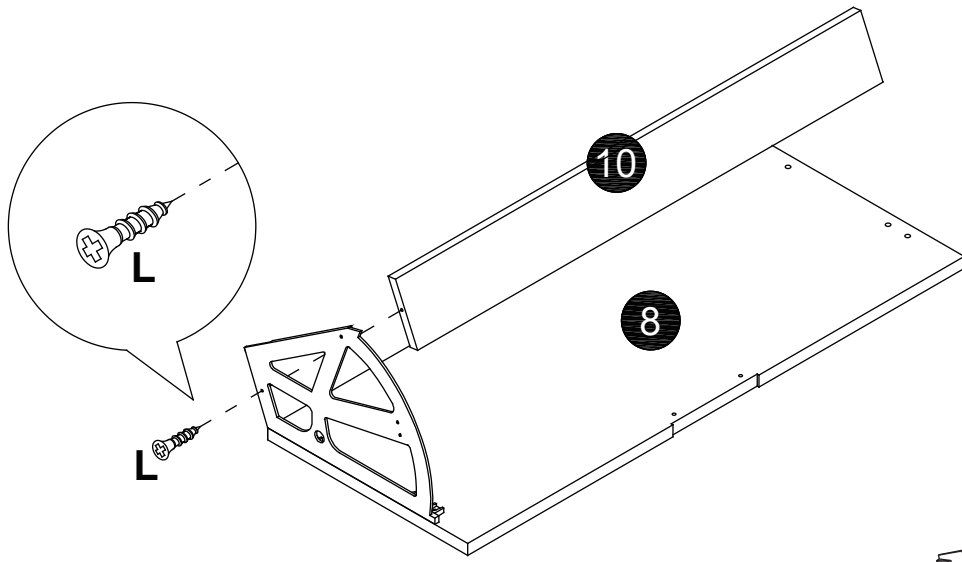
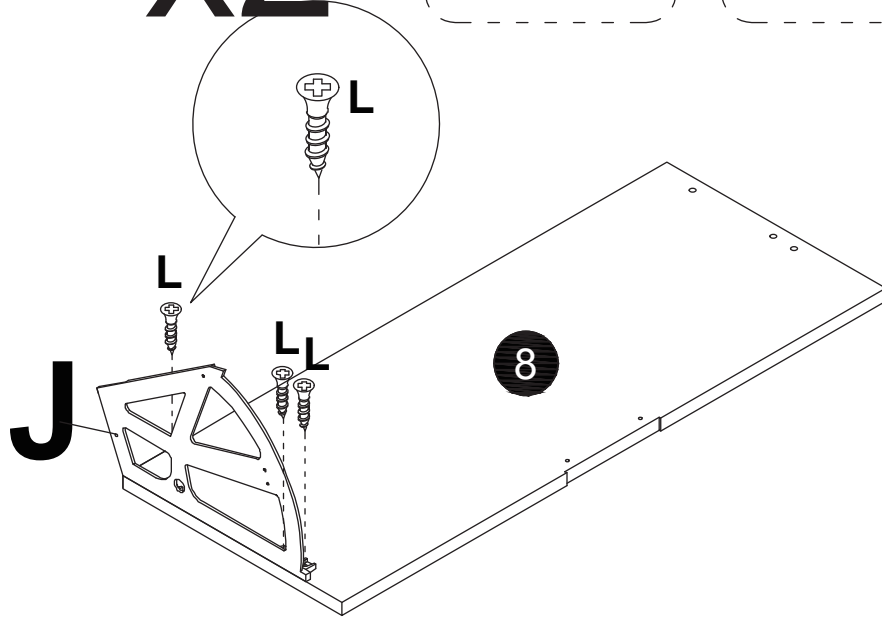
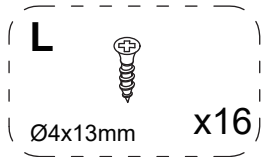
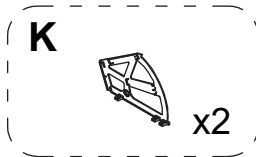


11



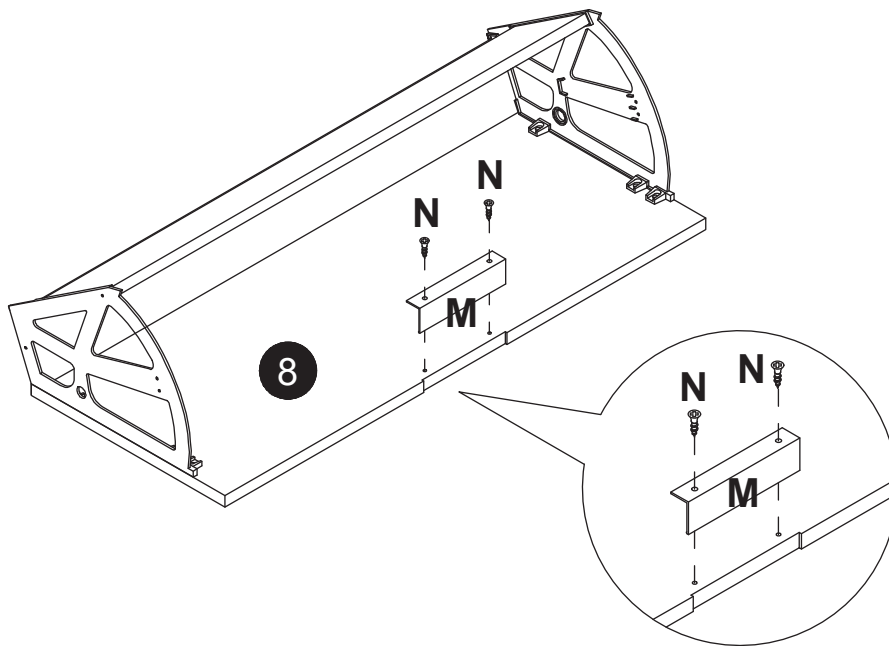
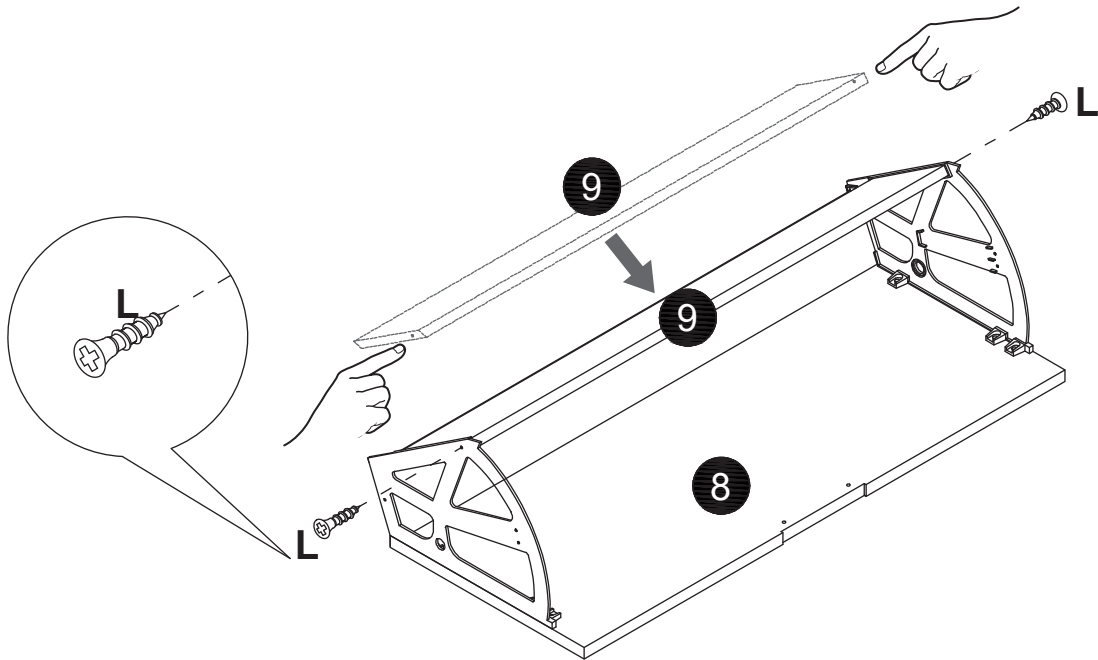
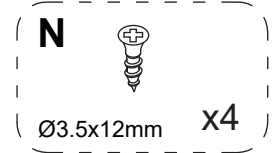
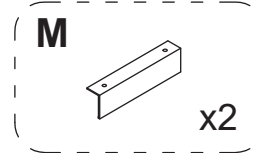
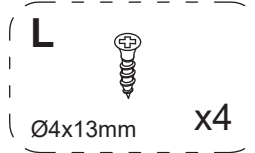
12

x2



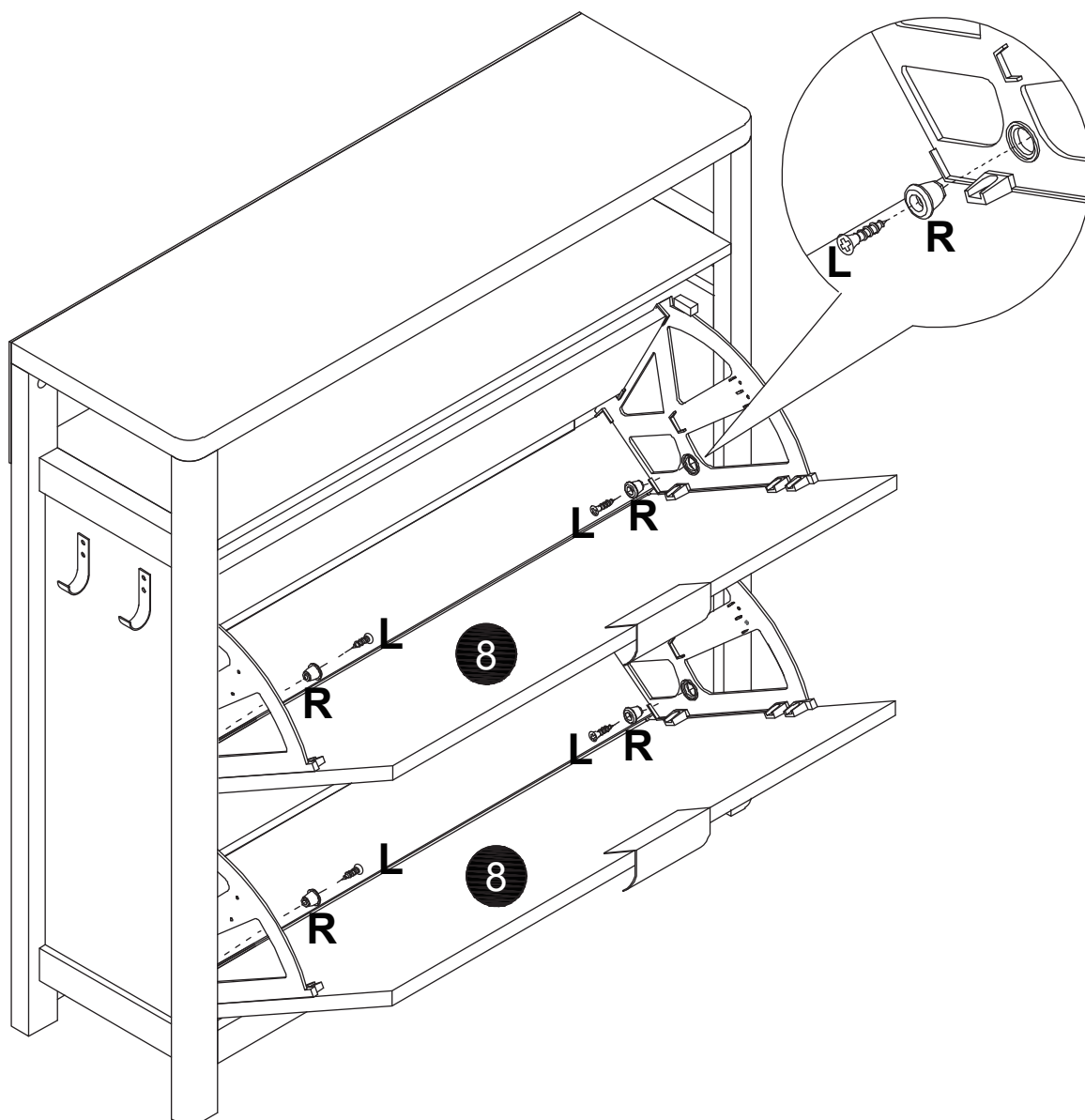
13


x2





Note: This step requires at least two people or more to operate to prevent damage to the parts



L 
 Ø4x13mm x4

