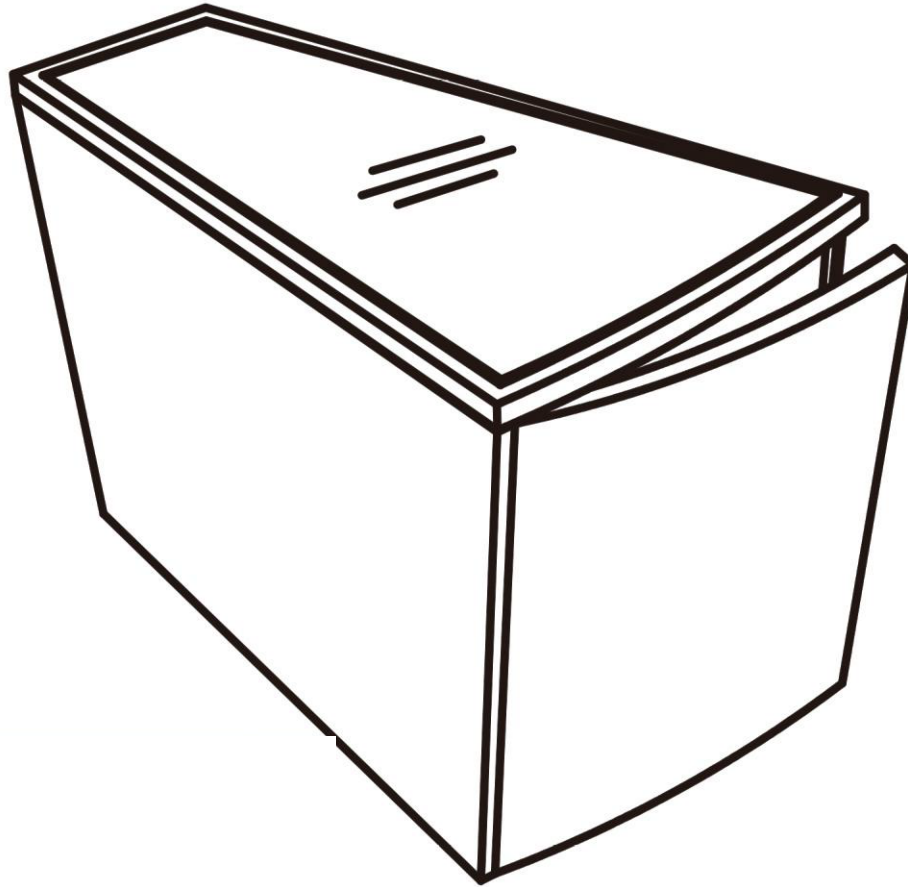


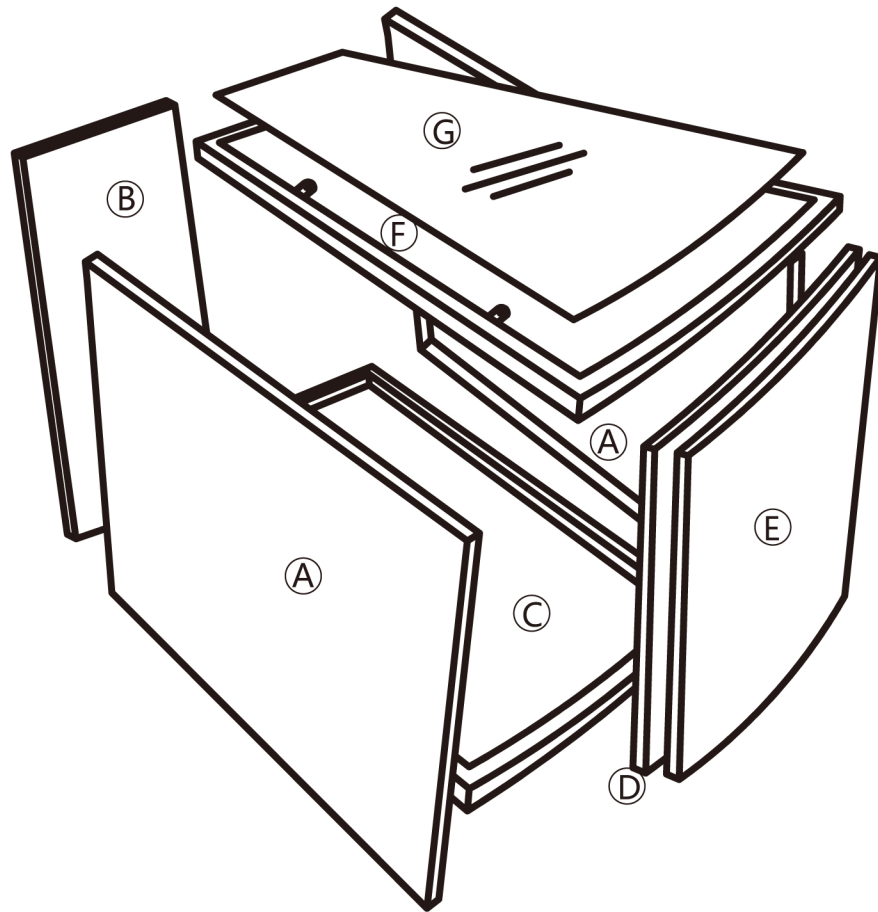
Side Table Assembly Instruction



Dear customers,

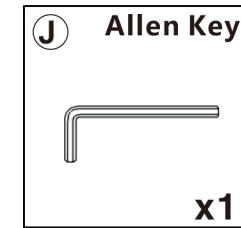
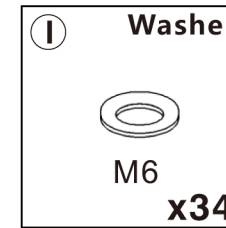
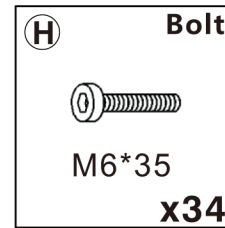
Thank you for purchasing our product. Please read this instruction manual carefully after receiving this product. It will help you assemble this product quickly, safely and correctly. You can keep this manual for future reference.

SIDE TABLE

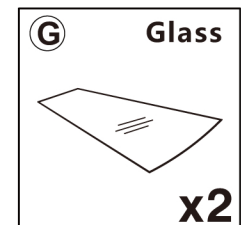
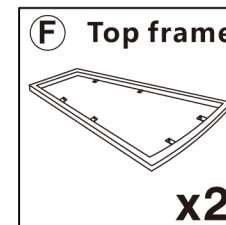
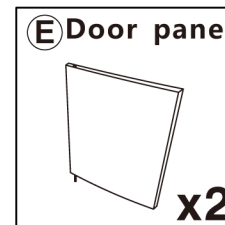
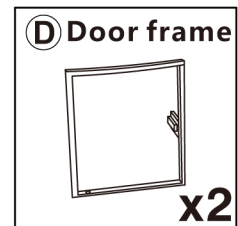
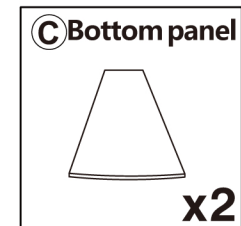
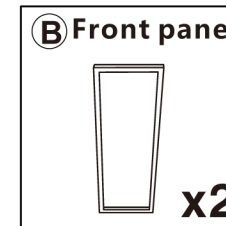
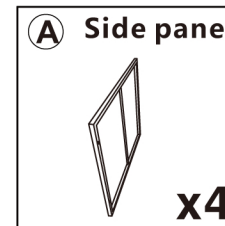


X2

Hardware parts

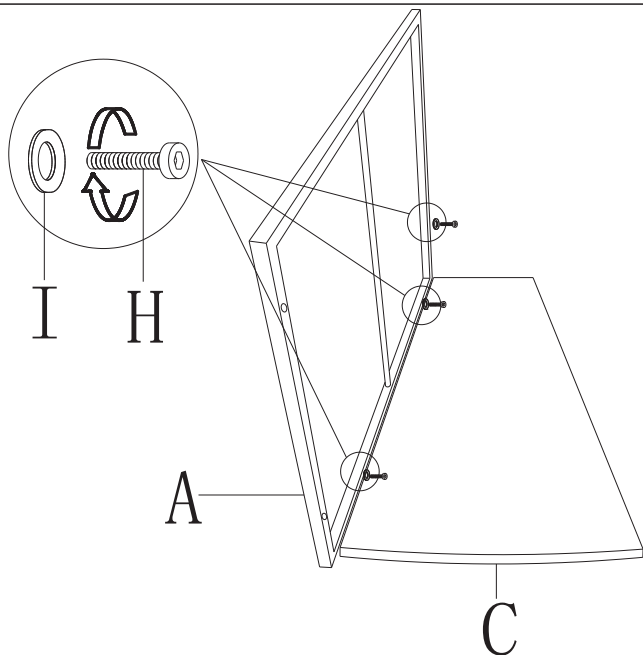


Main structure accessories



The glass panels are in
sofa box 1 and sofa box 2.

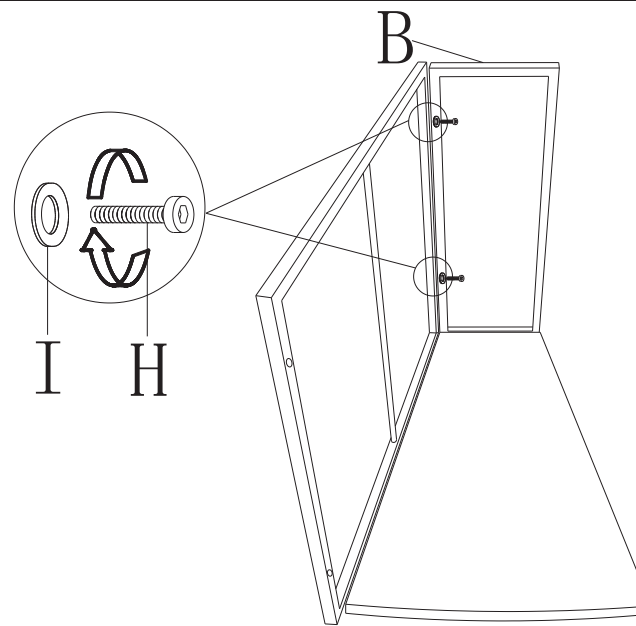
STEP 1



X2

Please DO NOT tighten the screws at this step yet. Wait to tighten all the screws until the product is fully installed.

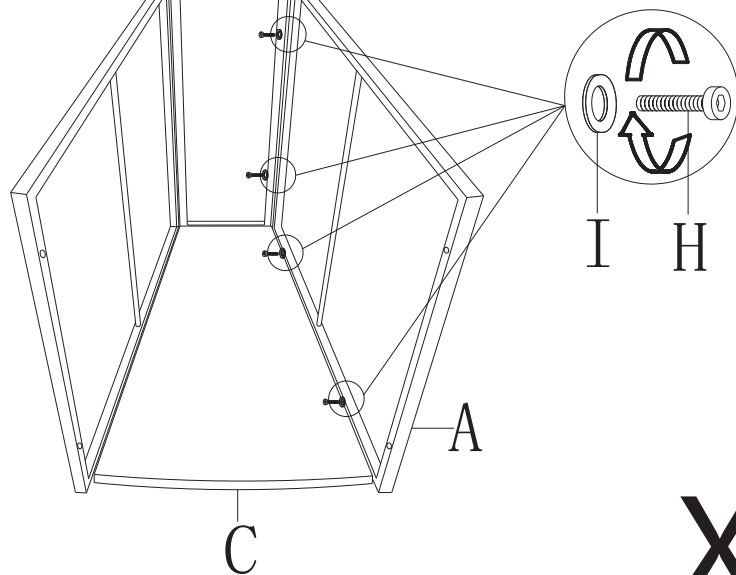
STEP 2



X2

Please DO NOT tighten the screws at this step yet. Wait to tighten all the screws until the product is fully installed.

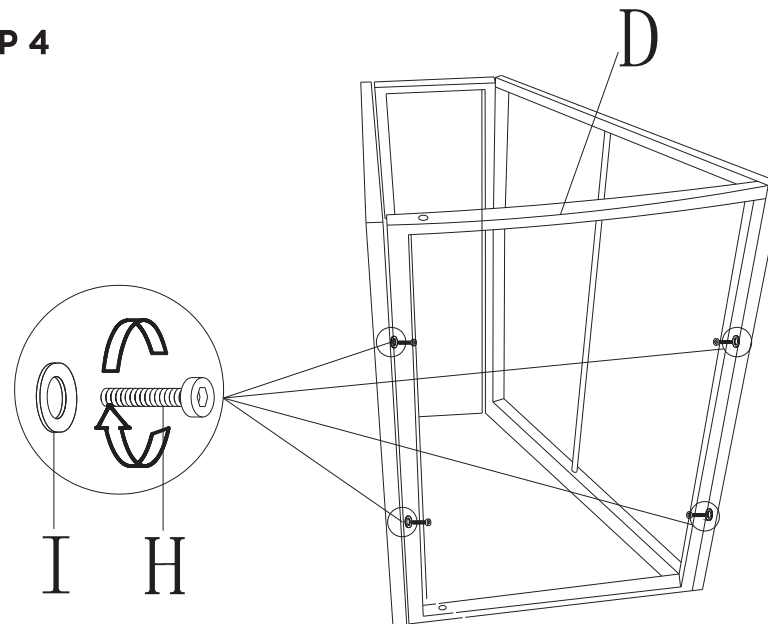
STEP 3



X2

Please DO NOT tighten the screws at this step yet. Wait to tighten all the screws until the product is fully installed.

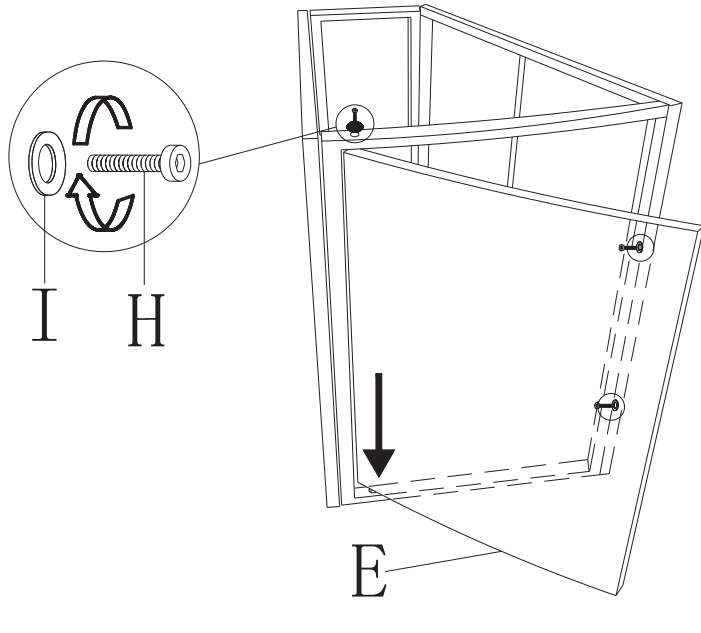
STEP 4



X2

Please DO NOT tighten the screws at this step yet. Wait to tighten all the screws until the product is fully installed.

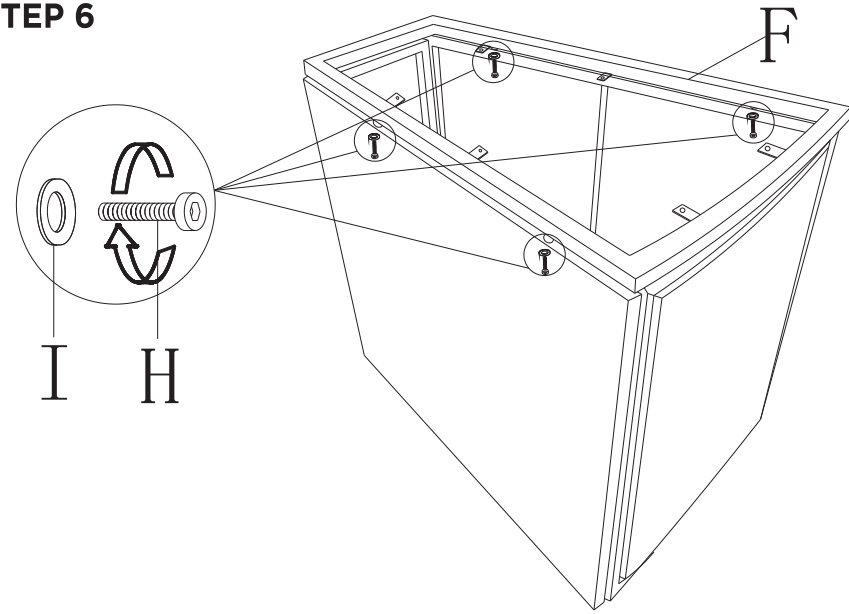
STEP 5



X2

Please DO NOT tighten the screws at this step yet. Wait to tighten all the screws until the product is fully installed.

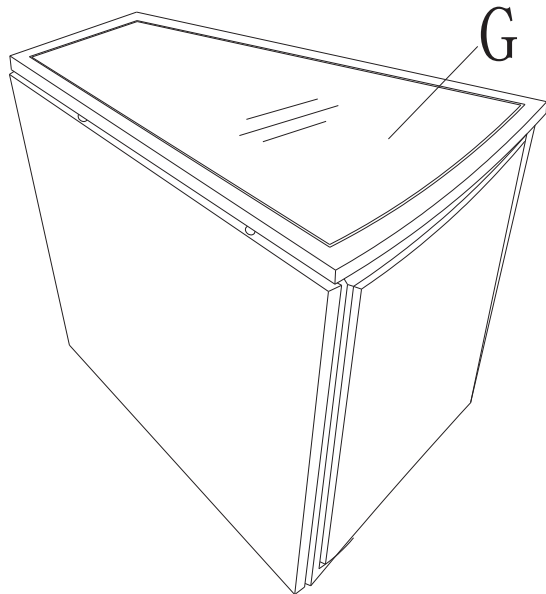
STEP 6



X2

Please DO NOT tighten the screws at this step yet. Wait to tighten all the screws until the product is fully installed.

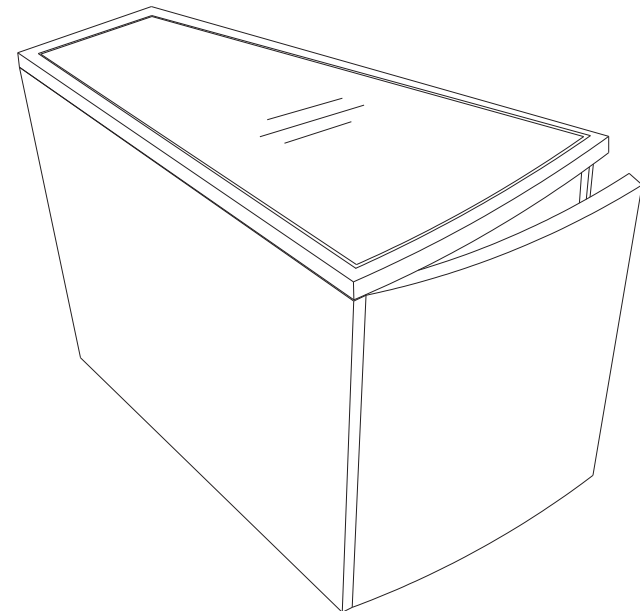
STEP 7



X2

Please DO NOT tighten the screws at this step yet. Wait to tighten all the screws until the product is fully installed.

STEP 8



X2