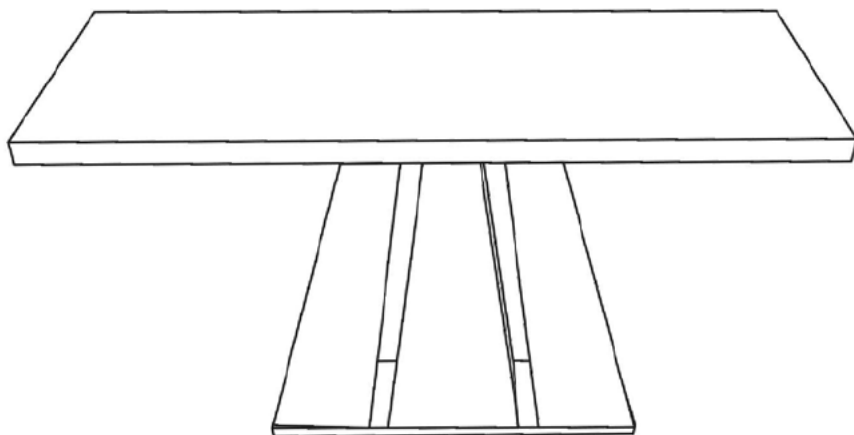


# DINING TABLE

## ASSEMBLY GUIDE



**Important - Please read these instructions fully before starting assembly**



**SAFETY AND  
CARE ADVICE**



**NO POWER TOOLS**

### **SAFETY AND CARE ADVICE**

- Check you have all the components and tools listed.
- Remove all fittings from the plastic bags and separate them into their groups.
- We do not recommend the use of power drills/drivers for inserting screws, as this could damage the unit. Only use hand screwdrivers and Allen keys.
- Keep children and animals away from the work area, small parts could cause choking if swallowed.
- Make sure you have enough space to layout the parts before starting.
- Assemble the item as close to its final position (in the same room) as possible.
- Do not overtighten the nuts to avoid causing damage to the threads.
- Only clean using a damp cloth and mild detergent, do not use bleach or abrasive cleaners.
- From time to time check that there are no loose screws on this unit
- This product should not be discarded with household waste. Take to your local authority waste disposal centre

## IMPORTANT INFORMATION



30 MINUTE  
BUILD

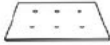

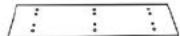

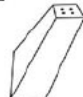







TWO  
PERSON



MAXIMUM  
CAPACITY 100Kg

PLEASE CHECK CAREFULLY AND MAKE SURE YOU HAVE ALL FITTINGS AND TOOLS LISTED BELOW BEFORE YOU START.

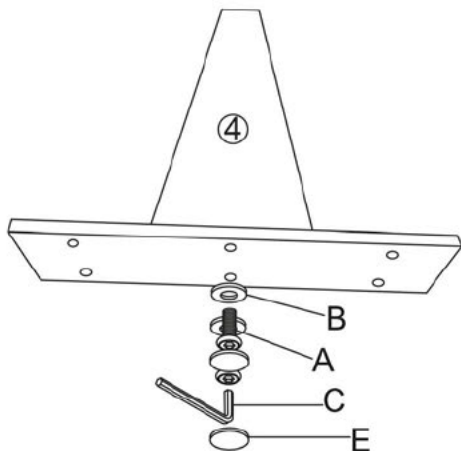
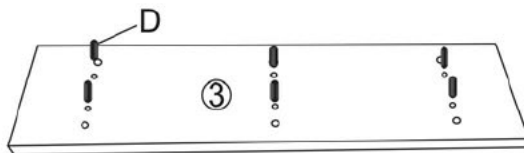
①x1 	②x1 	③x1 	④x1 	⑤x2 
AX24  Ø8X35	BX24  Ø8X22	CX1  M5	DX6  Ø8X30	EX12  Ø30

**NOTE:** The quantities above are the correct amount to complete the assembly. In some cases more fittings may be supplied than are required.

## STEP 1

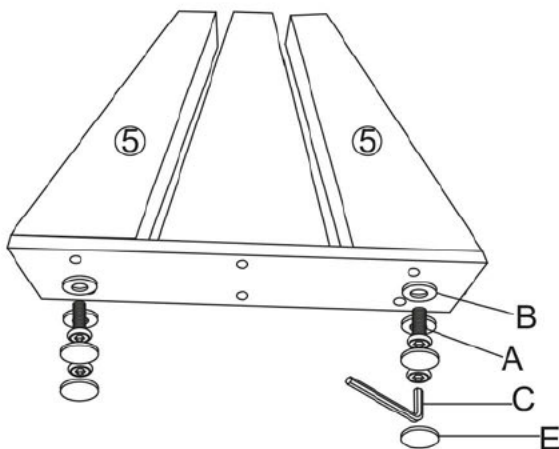
Use a clear, flat, soft surface to avoid bumps or scratches.

First, take base plate [3] and add 6x wooden dowels [D].



## STEP 2

Next, connect the central leg [4] to the base plate [3] using 2x washer [B] followed by screw [A]. Tighten with Allen key [C] then cover holes with 2x pads [E].

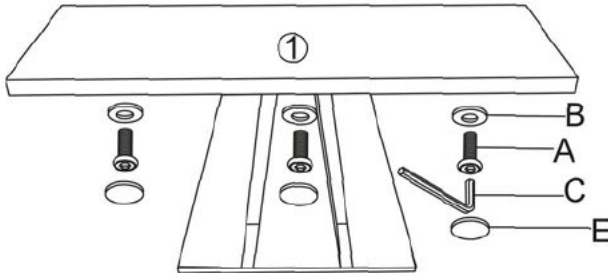
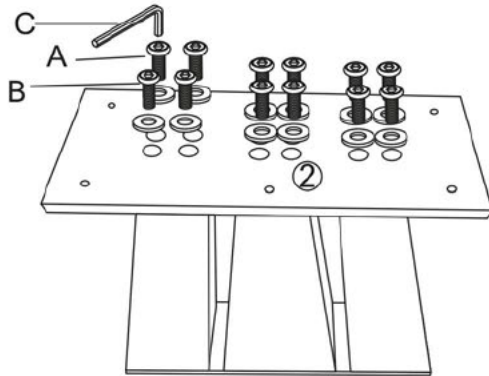


## STEP 3

Connect both the outer legs [5] to the base plate [3]. Use 2x washer [B] followed by screw [A]. Tighten with Allen key [C] then cover holes with 2x pads [E].

## STEP 4

Attach connecting plate [2] to the tops of the table legs. Use 4 x washers [B] followed by screws [A] per leg - 12 washers and screws total. Tighten with Allen key [C].

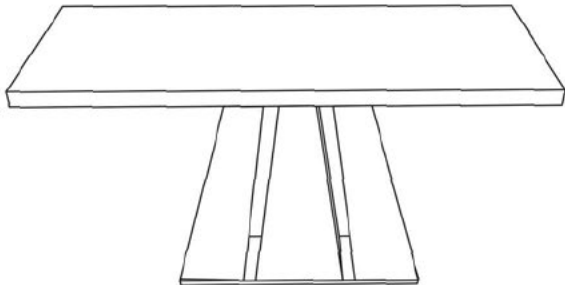


## STEP 5

Carefully place table top [1] on top of connecting plate [2]. Line up the holes and secure the connecting plate to the table top using 6 x washer [B] then screw [A] - 3 sets on each side. Tighten with Allen key [C] and cover holes with 6 x pads [E].

## STEP 6

**ATTENTION:** Check stability. Your table is now ready to use.





## OUR 1 YEAR GUARANTEE

our products come with a 1 year guarantee  
to give you peace of mind shopping at



## WHAT THE GUARANTEE COVERS



**PRE-INSERTED FIXINGS**  
e.g. lose metal threads



**FAULTY JOINTS**  
e.g. legs bending



**EXTERNAL FIXING FAULTS**  
e.g. metal discs removing  
from table top



**STRUCTURAL INTEGRITY**  
e.g. the frame of the  
product