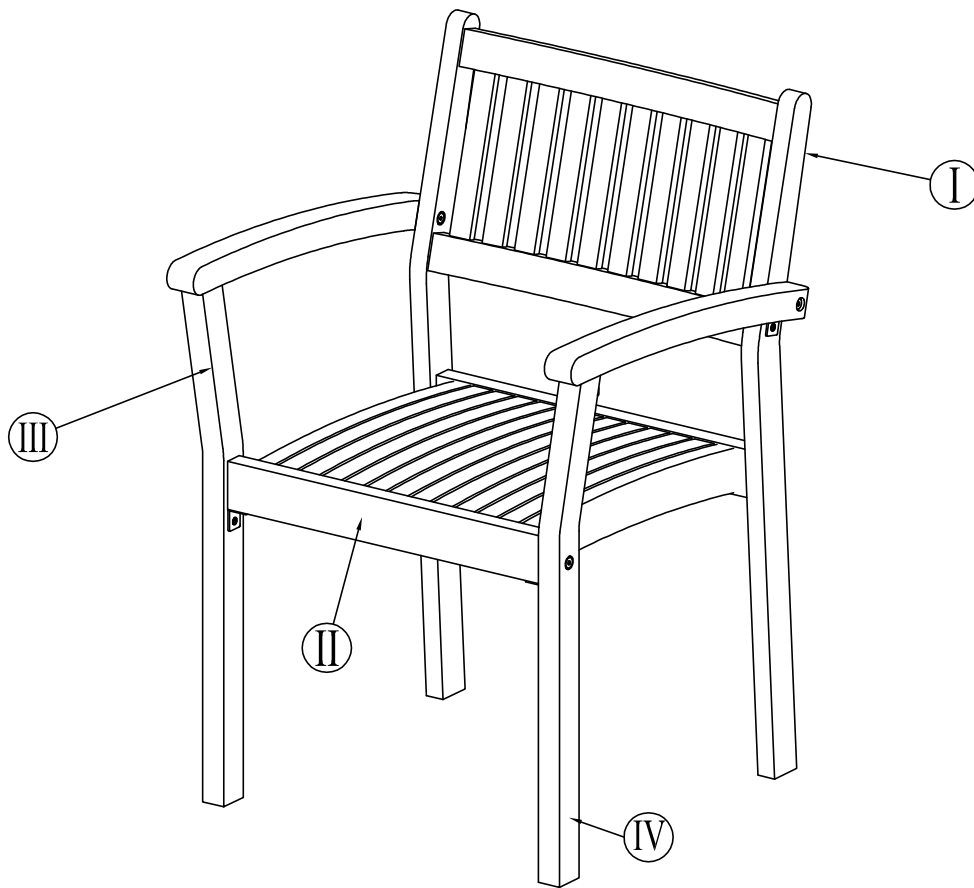


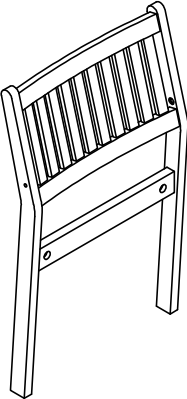
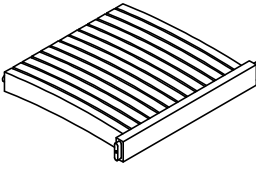
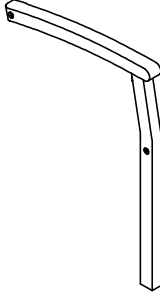
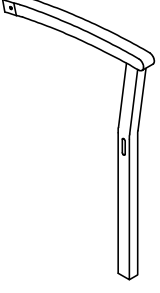
Maximum Seat weight : 110 kgs/ 242 Lbs






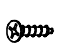



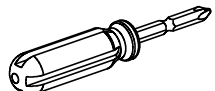


NOTE: 50% TIGHTEN BEFORE FIXING ALL BOLTS & SCREWS

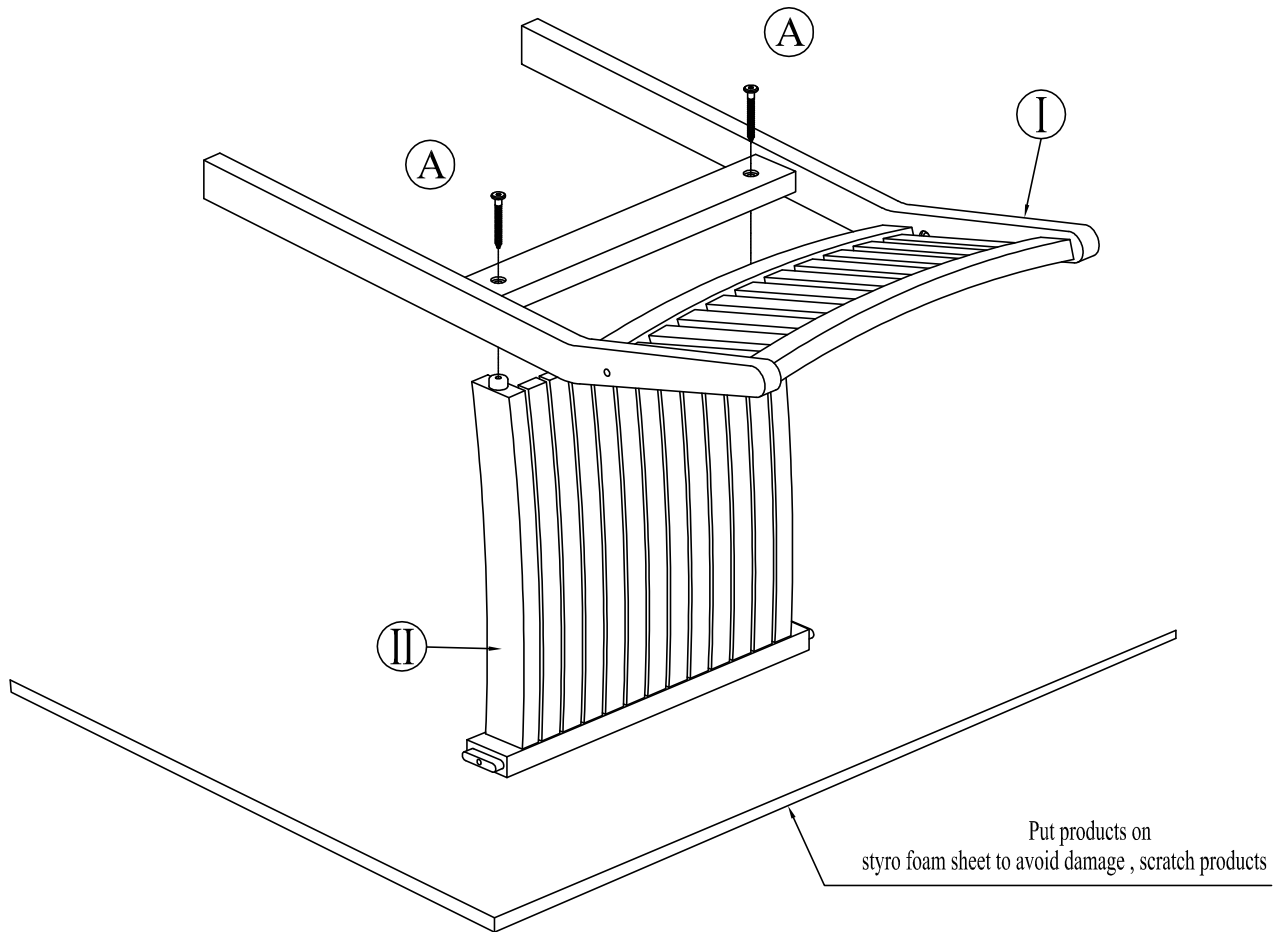
COMPONENTS LIST

 <p>Q'TY 2</p>	 <p>Q'TY 2</p>	 <p>Q'TY 2</p>	 <p>Q'TY 2</p>
---	---	--	---

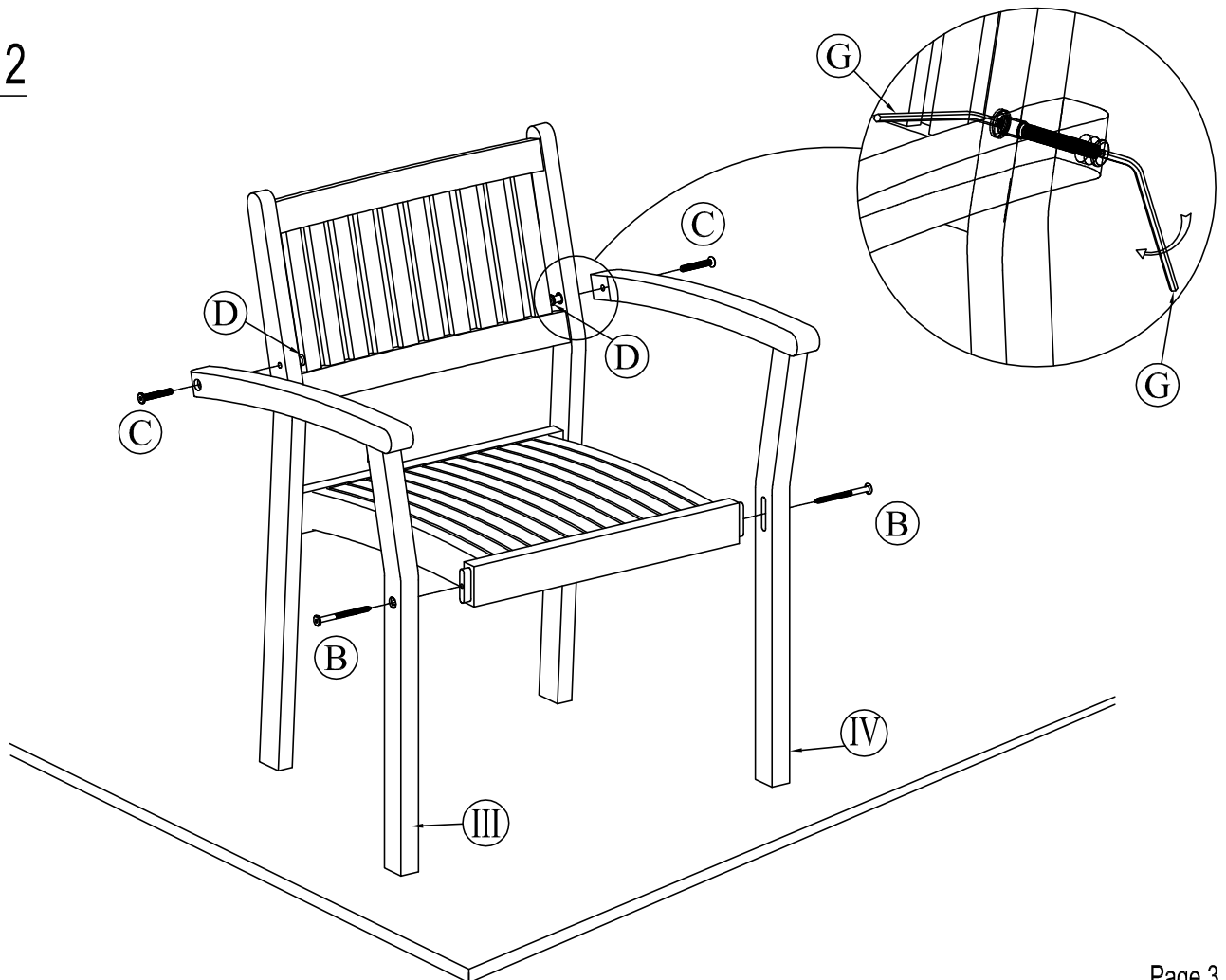
HARDWARE LIST

A		2	F - Screw 7x70	E		4	Metal Bracket
B		2	F - Screw 7x90	F		8	C- Screw 4x20
C		2	F - Bolt 8x50	G		2	Allen Key
D		2	Sleeve nut 8 x15	Supporting tools Screw driver			Page 2

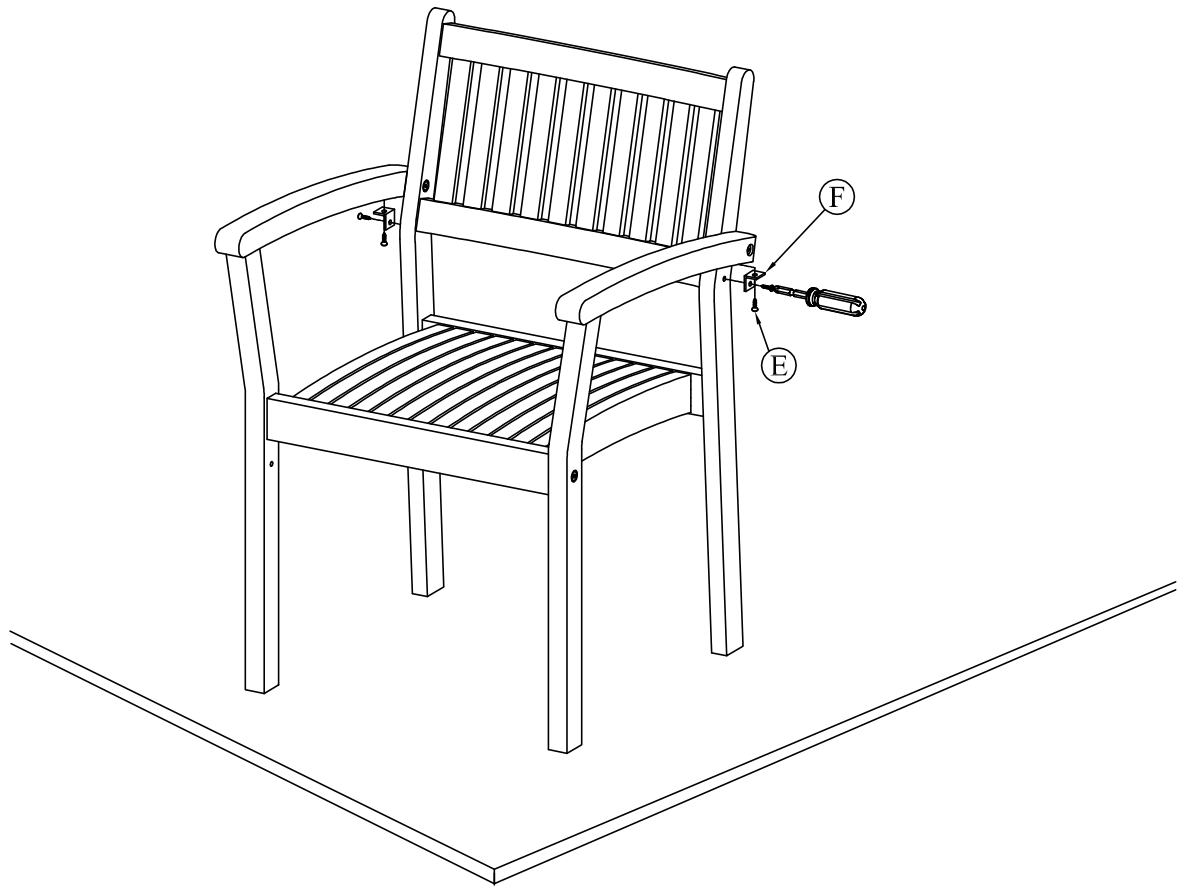
Step 1



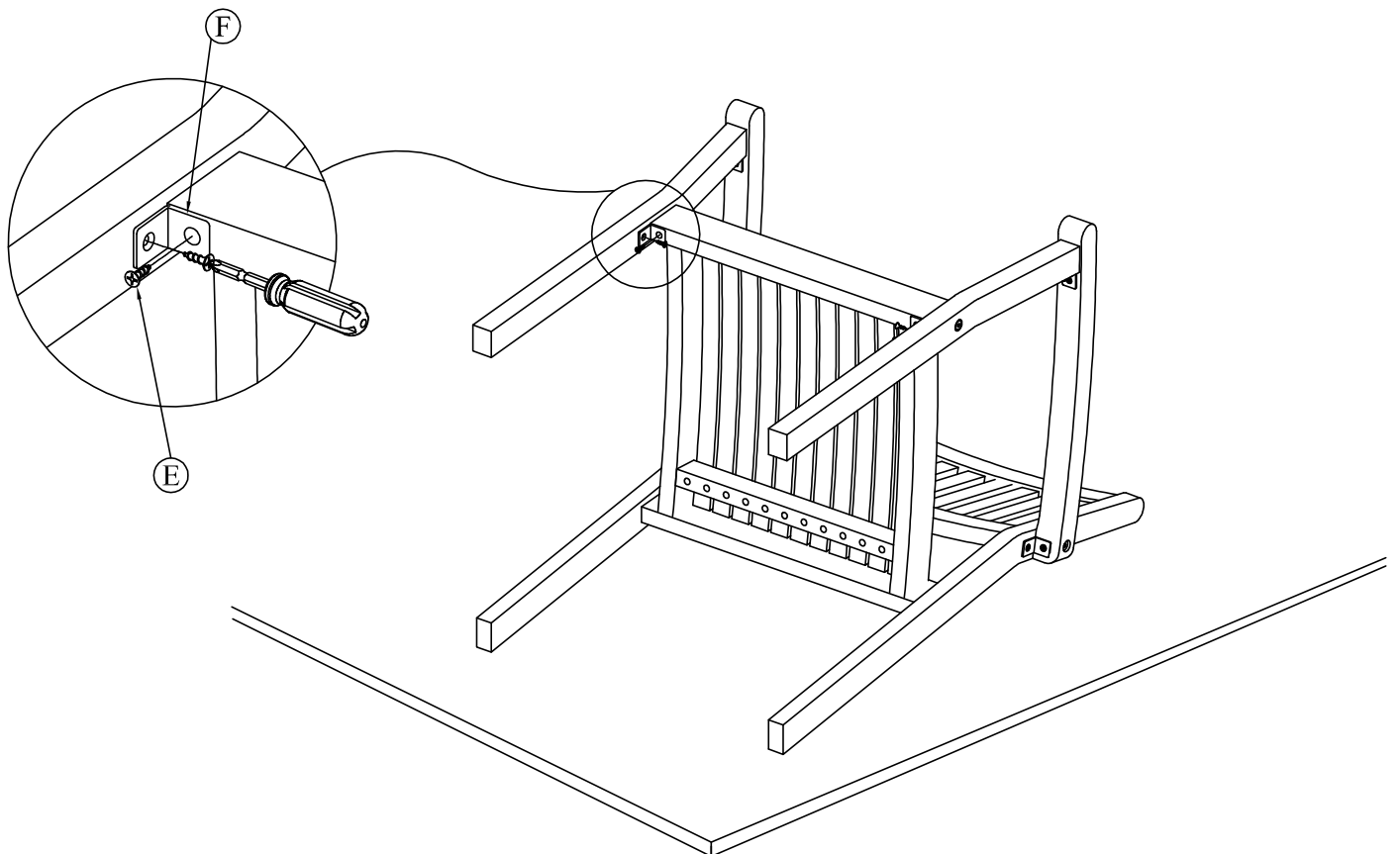
Step 2

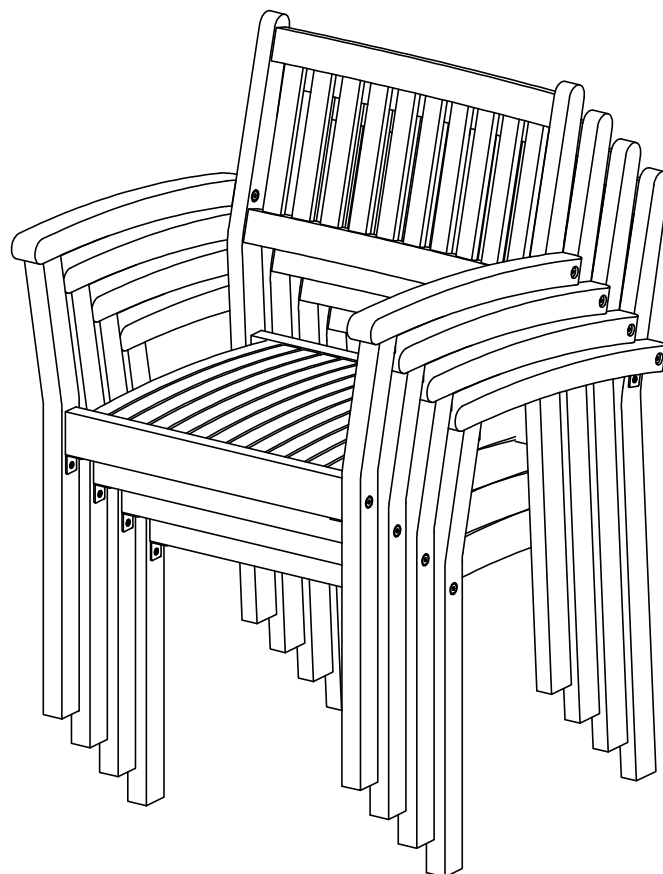
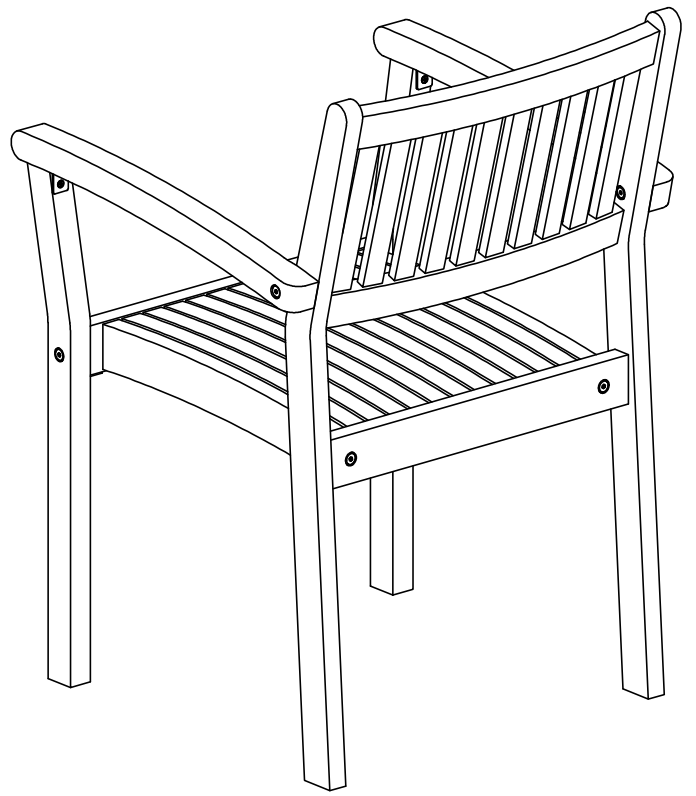
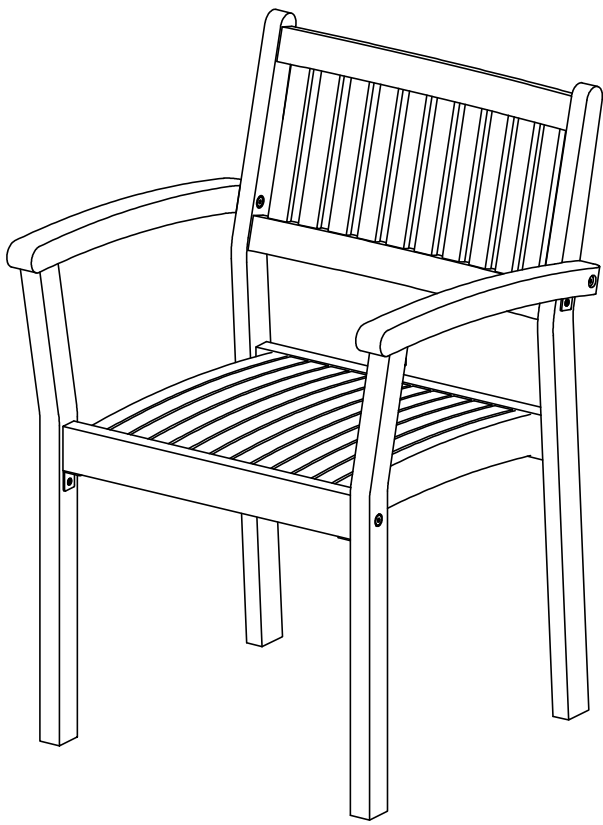


Step 3



Step 4





Warning: To ensure safety , please should not stack more than 4 chairs