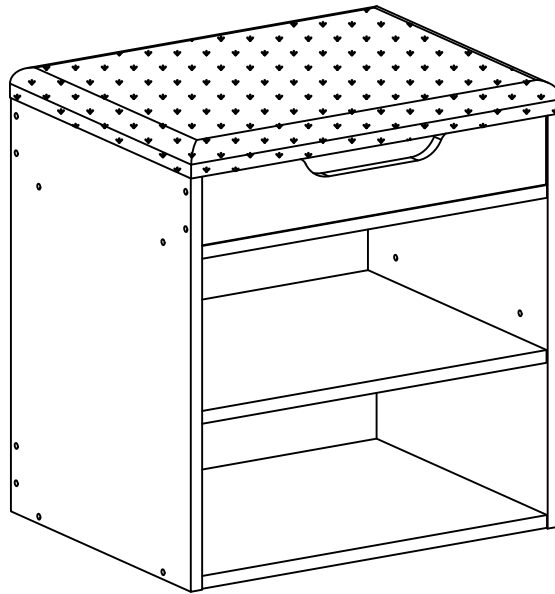


Shoe Bench

Item # HS202509-47

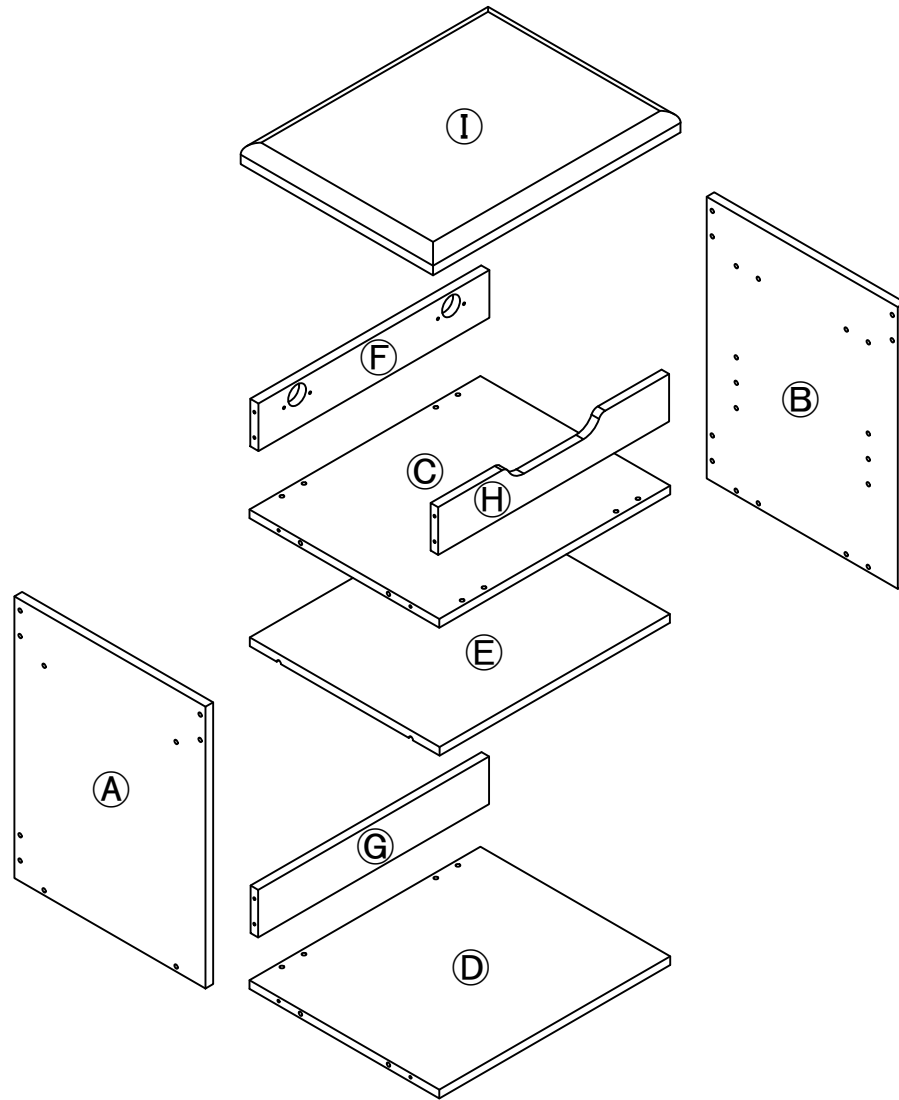
INSTRUCTION



Part of the steps suggest
two people install

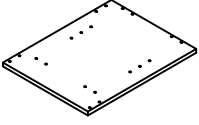
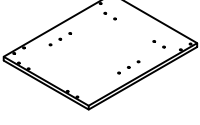
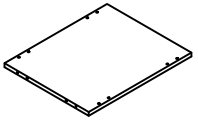
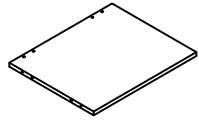
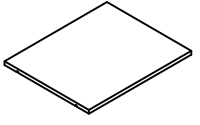
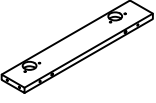
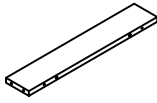
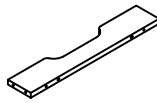
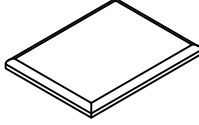
Main Components

Please check you have all the parts listed below



Component Panels & Part List

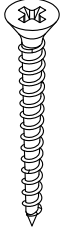
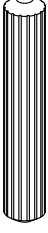
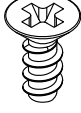


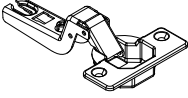
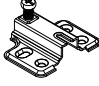
Please check you have all the panels are listed below.

<p style="text-align: center;">Ⓐ</p>  <p style="text-align: center;">Qty1</p>	<p style="text-align: center;">Ⓑ</p>  <p style="text-align: center;">Qty1</p>	<p style="text-align: center;">Ⓒ</p>  <p style="text-align: center;">Qty1</p>	<p style="text-align: center;">Ⓓ</p>  <p style="text-align: center;">Qty1</p>	<p style="text-align: center;">Ⓔ</p>  <p style="text-align: center;">Qty1</p>
<p style="text-align: center;">Ⓕ</p>  <p style="text-align: center;">Qty1</p>	<p style="text-align: center;">Ⓖ</p>  <p style="text-align: center;">Qty1</p>	<p style="text-align: center;">Ⓗ</p>  <p style="text-align: center;">Qty1</p>	<p style="text-align: center;">Ⓘ</p>  <p style="text-align: center;">Qty1</p>	

Fixings, Fittings And Tools

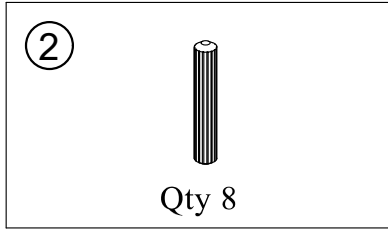
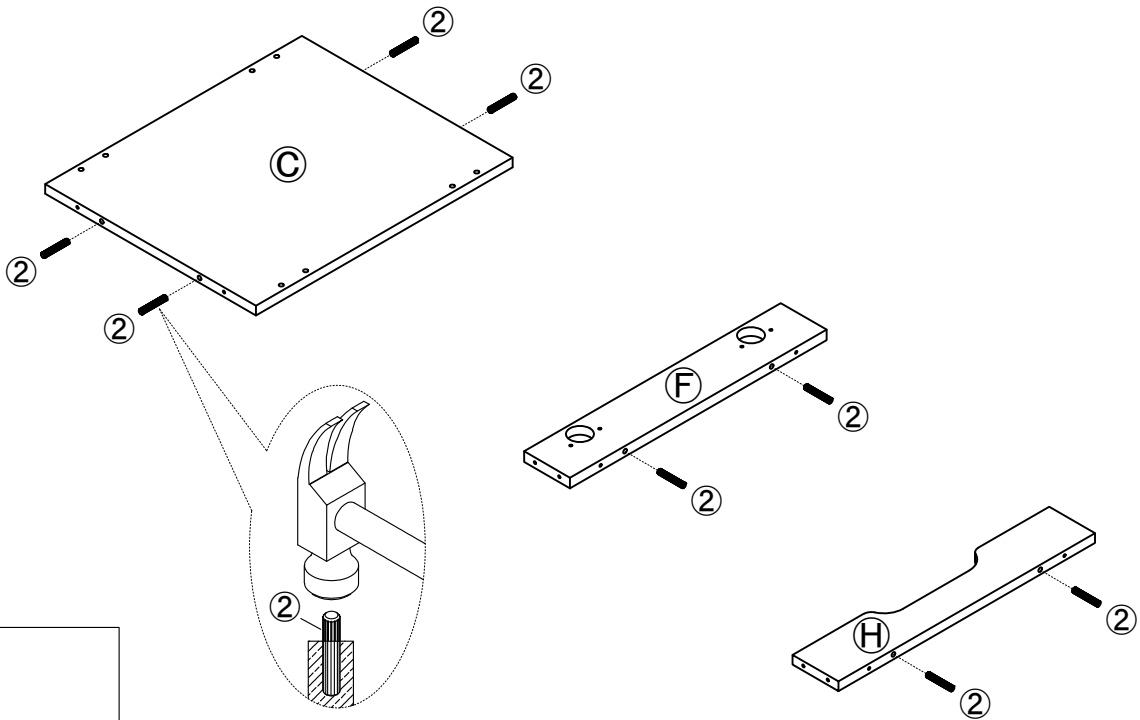
Please check all the fittings listed below

Note: The quantities below are the correct amount to complete the assembly. In some case more fittings may be supplied than be required.

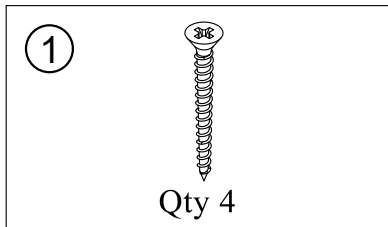
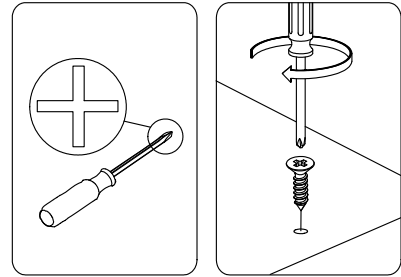
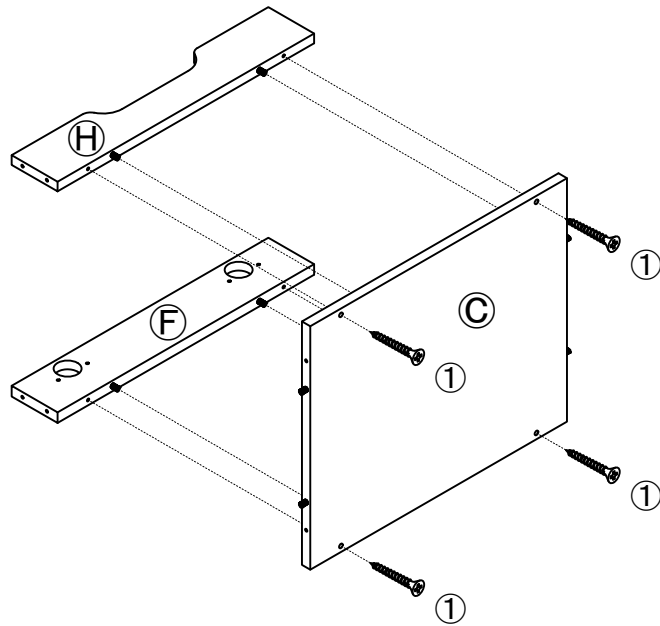
 <p>① Ø4*38mm Qty26+1</p>	 <p>② Ø5*30mm Qty14+1</p>	 <p>③ Ø4*12mm Qty12</p>	 <p>④ Ø5*21mm Qty4</p>
 <p>⑤ Ø12*3.9mm Qty20+2</p>	  <p>⑥ Ø26mm Qty2 Sets</p>		

Assembly Step

Step 1

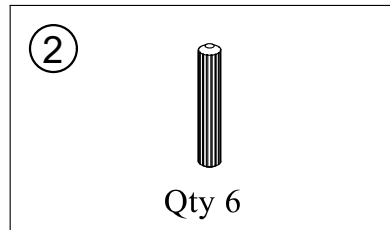
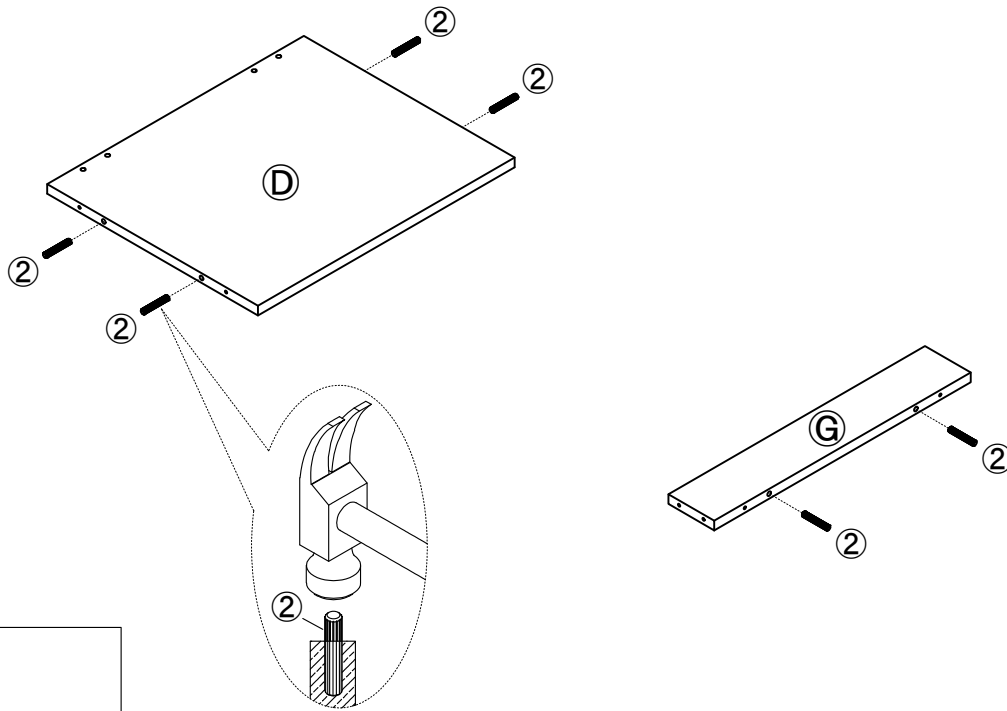


Step 2

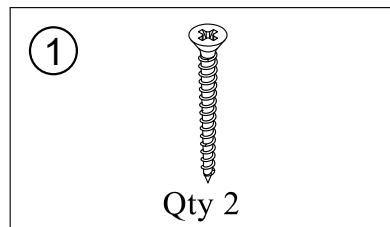
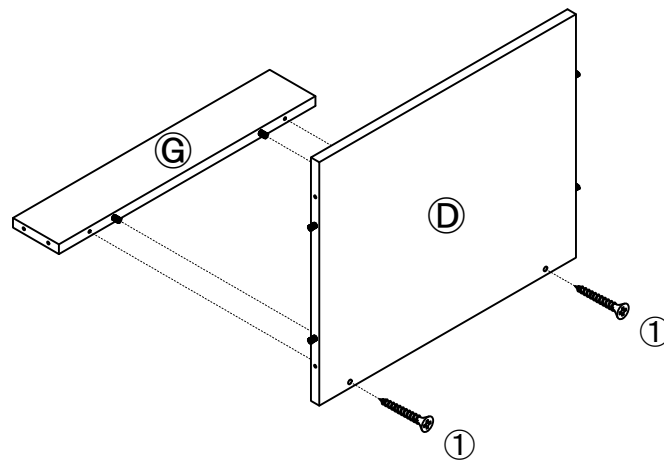
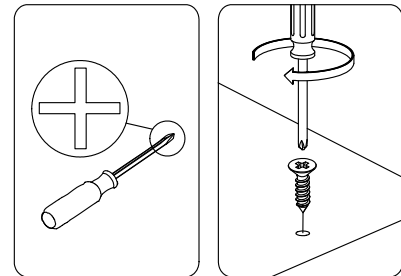


Assembly Step

Step 3

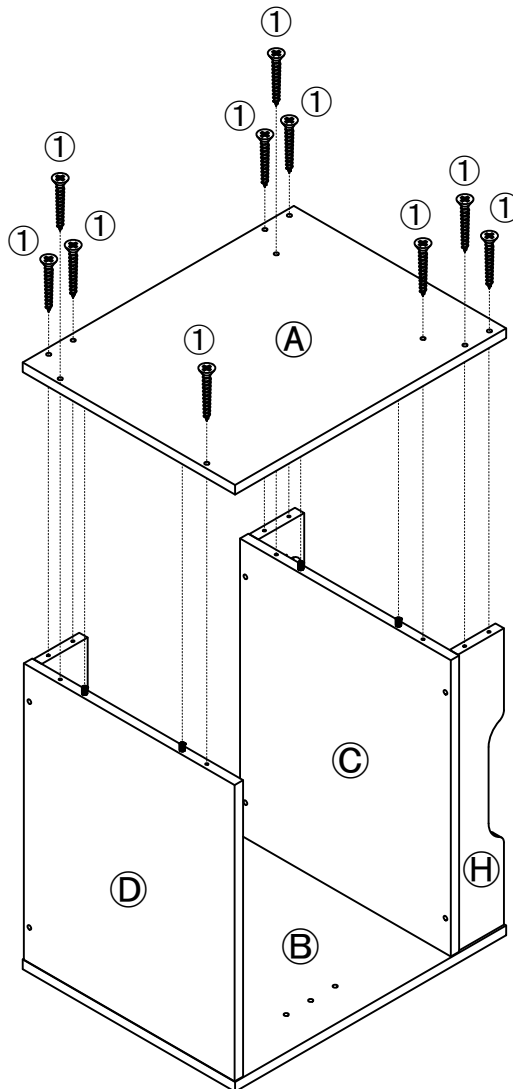
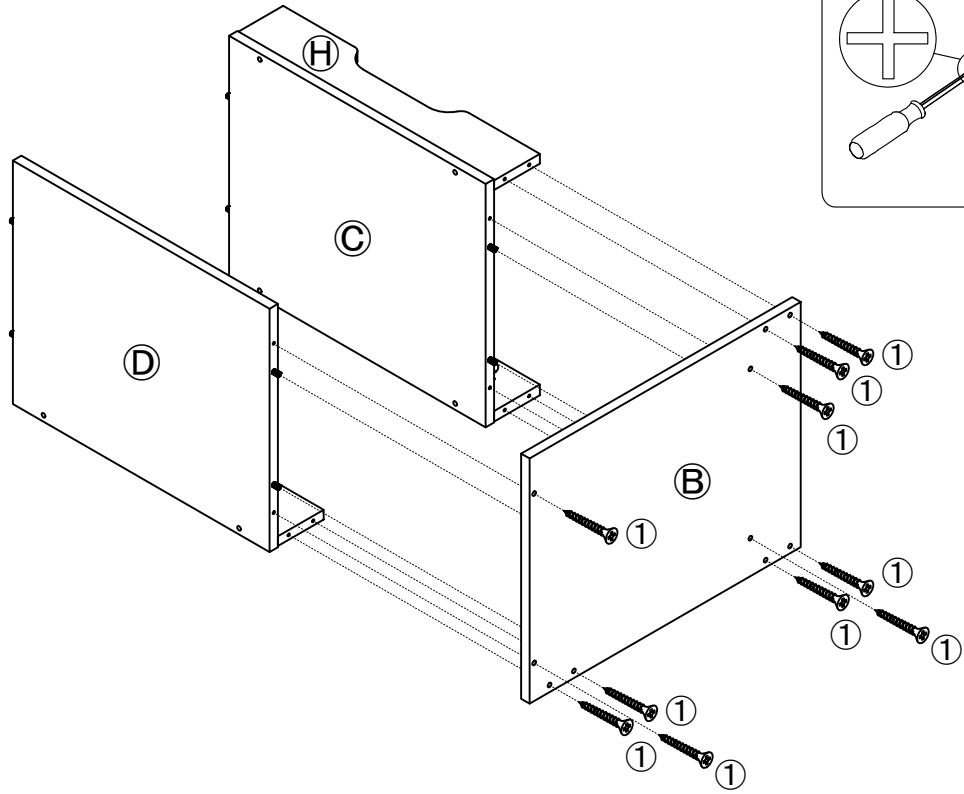


Step 4



Assembly Step

Step 5



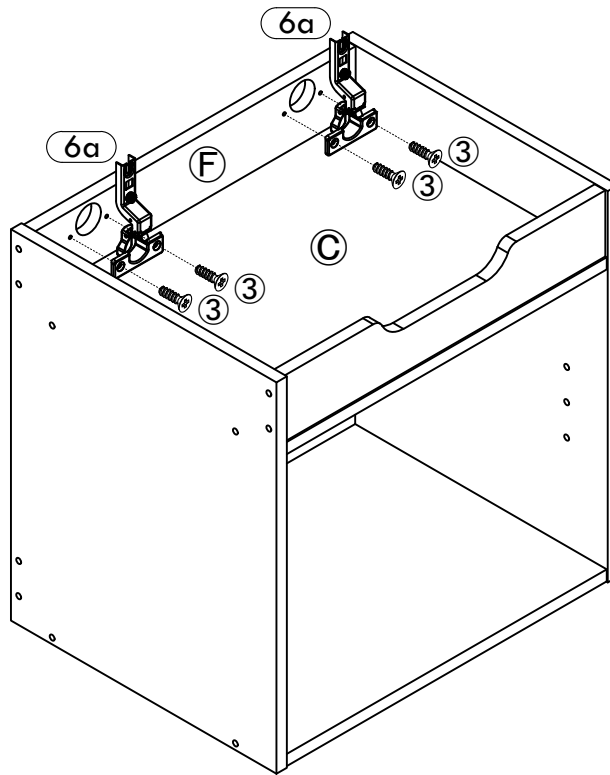
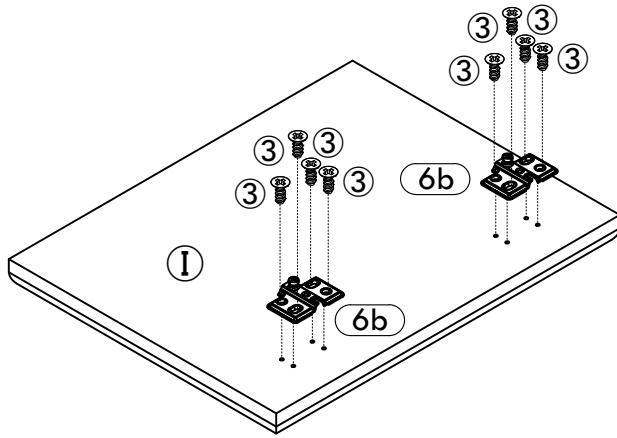
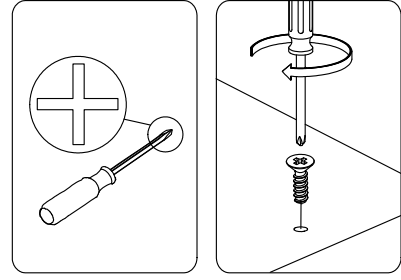
①



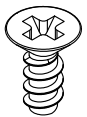
Qty 20

Assembly Step

Step 6

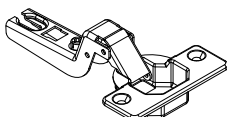


3



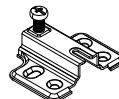
Qty 12

6a



Qty 2

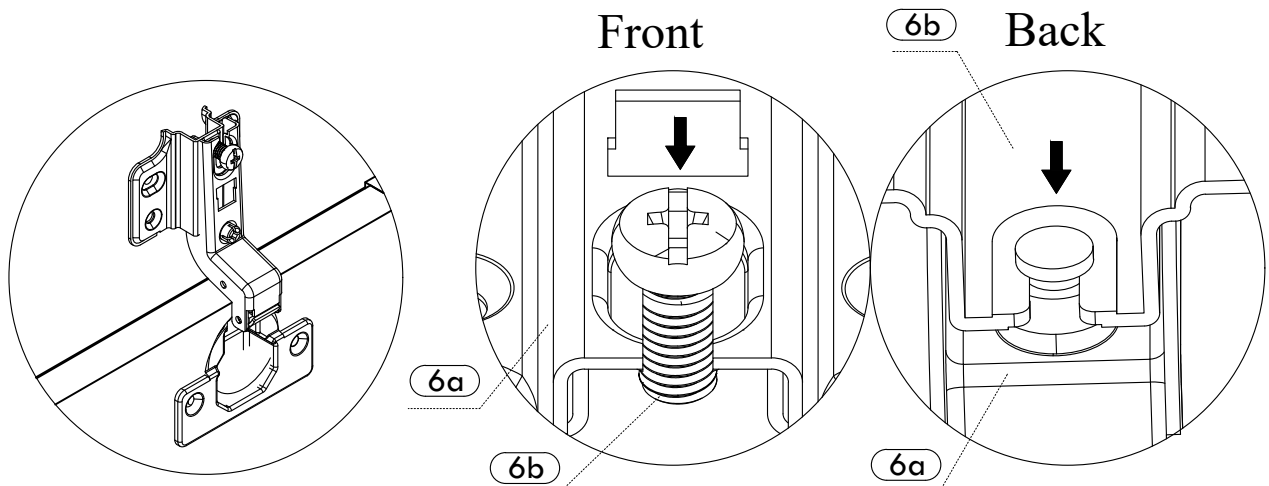
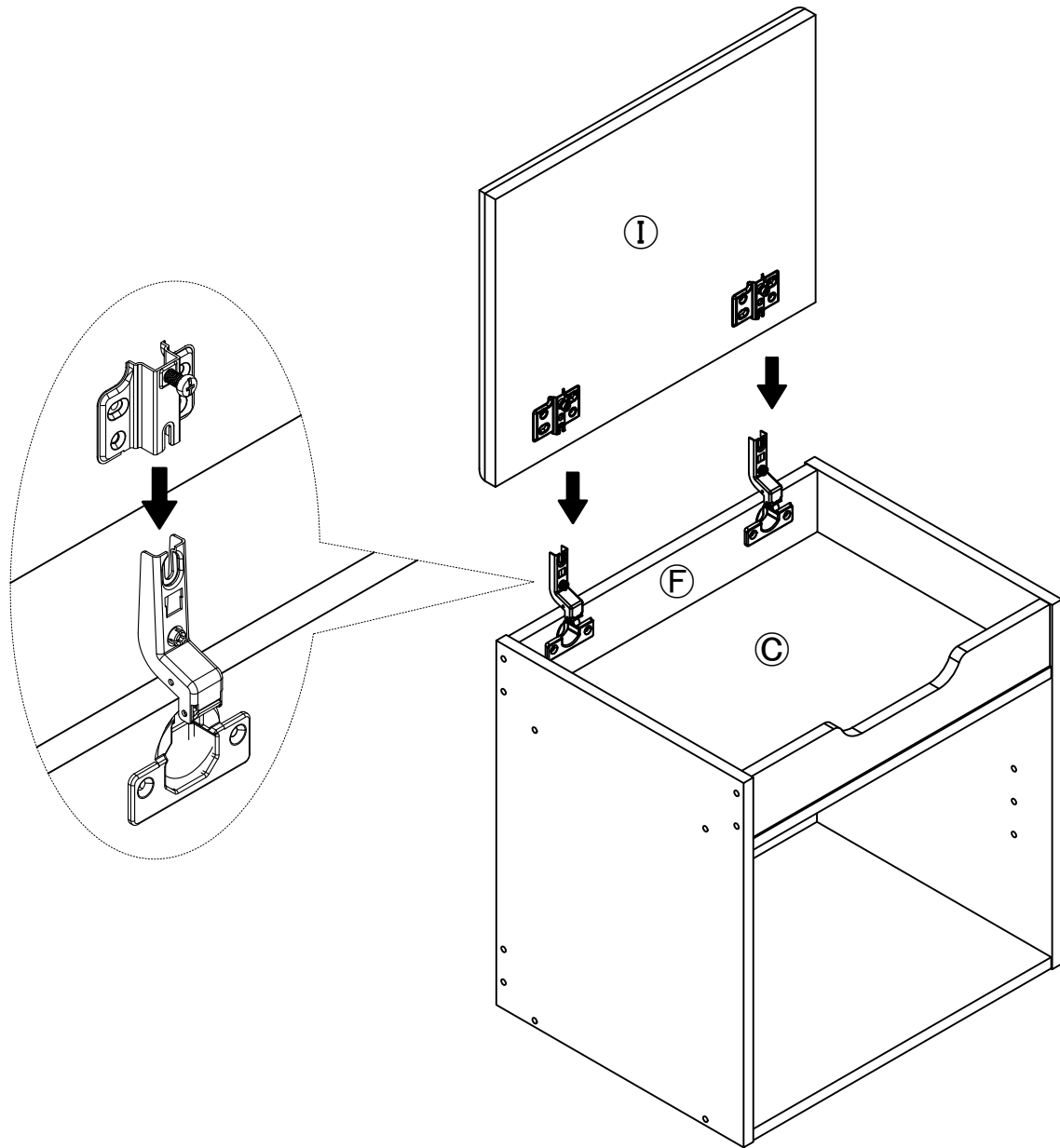
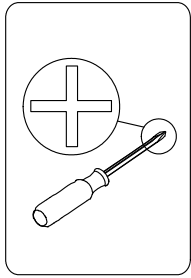
6b



Qty 2

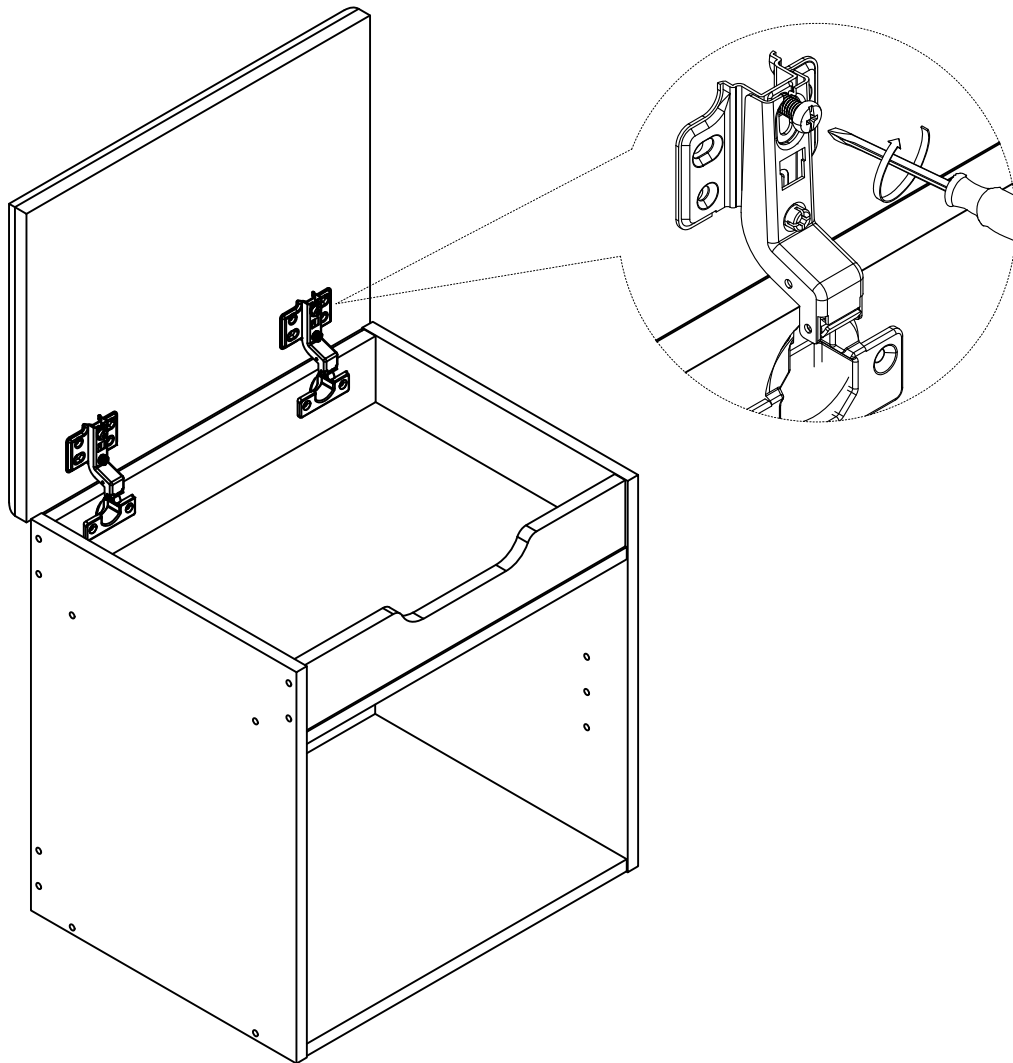
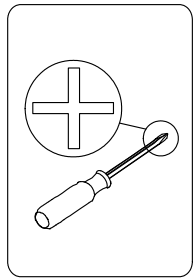
Assembly Step

Step 7

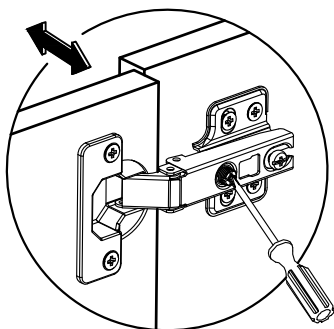


Assembly Step

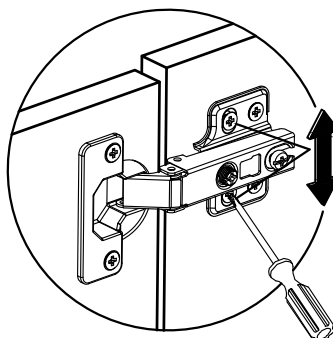
Step 8



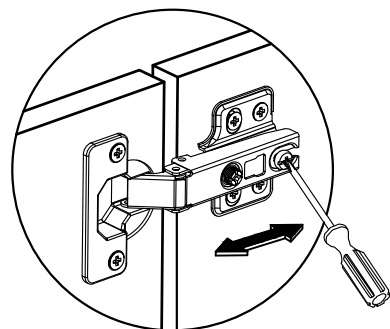
If necessary, adjust hinges to properly align doors as shown below.



Lateral Adjustment



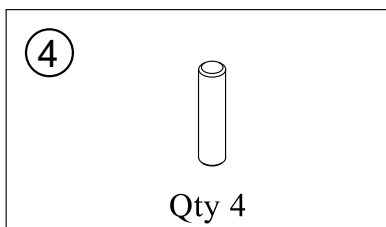
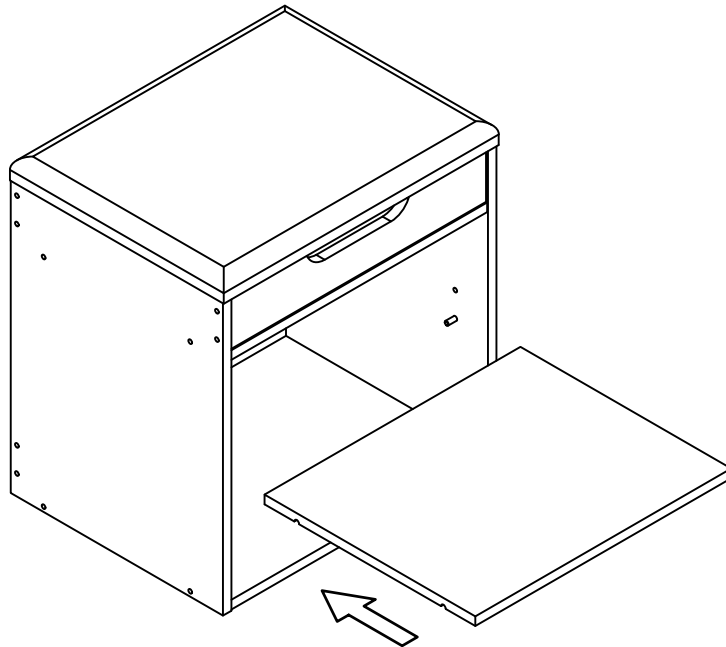
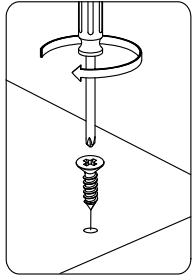
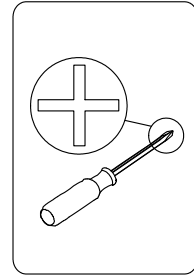
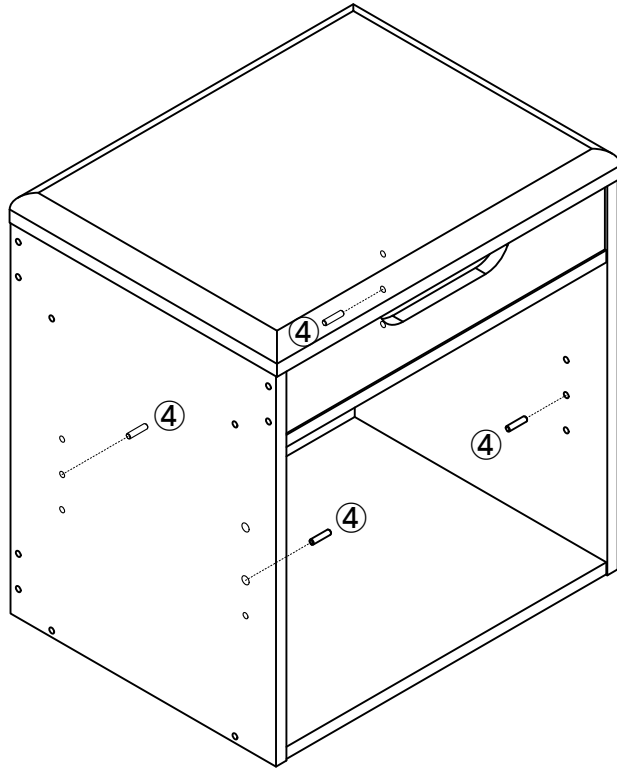
Vertical adjustment



Forward/backwards
adjustment

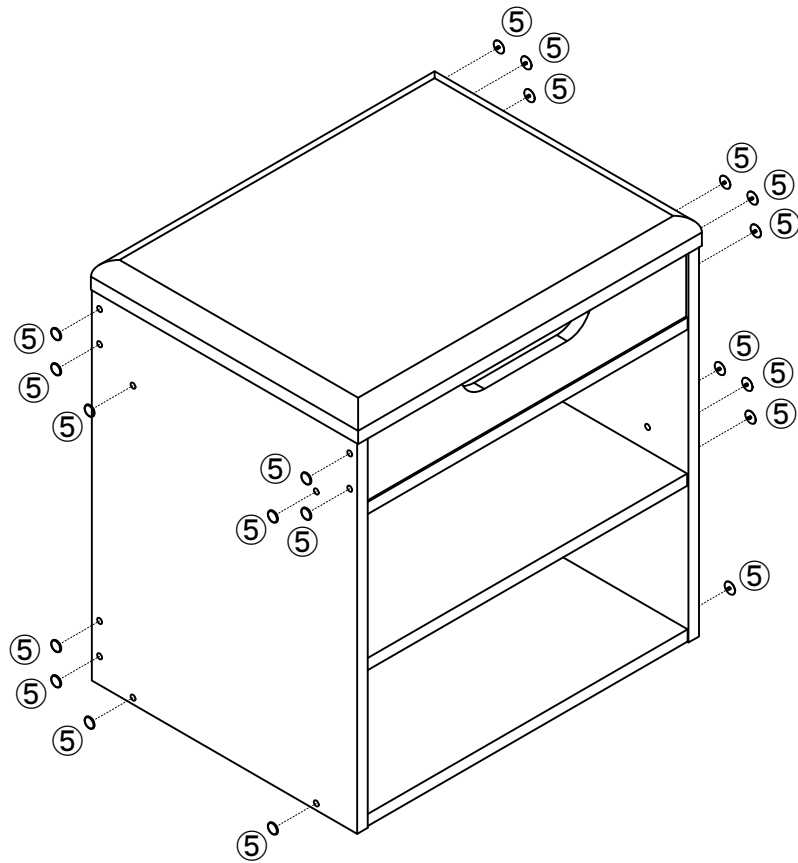
Assembly Step

Step 9



Assembly Step

Step 10



5



Qty 20