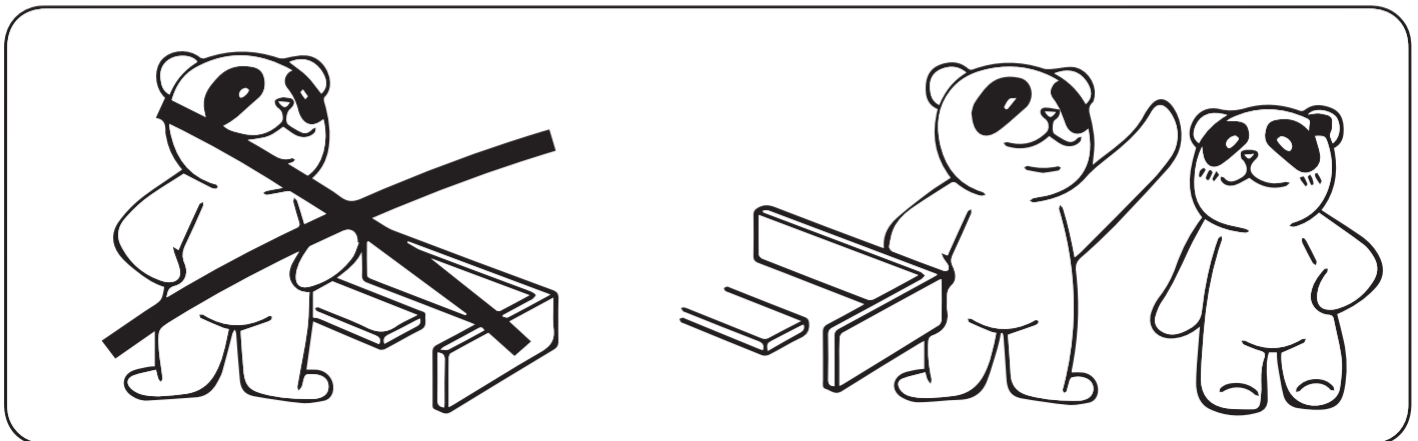
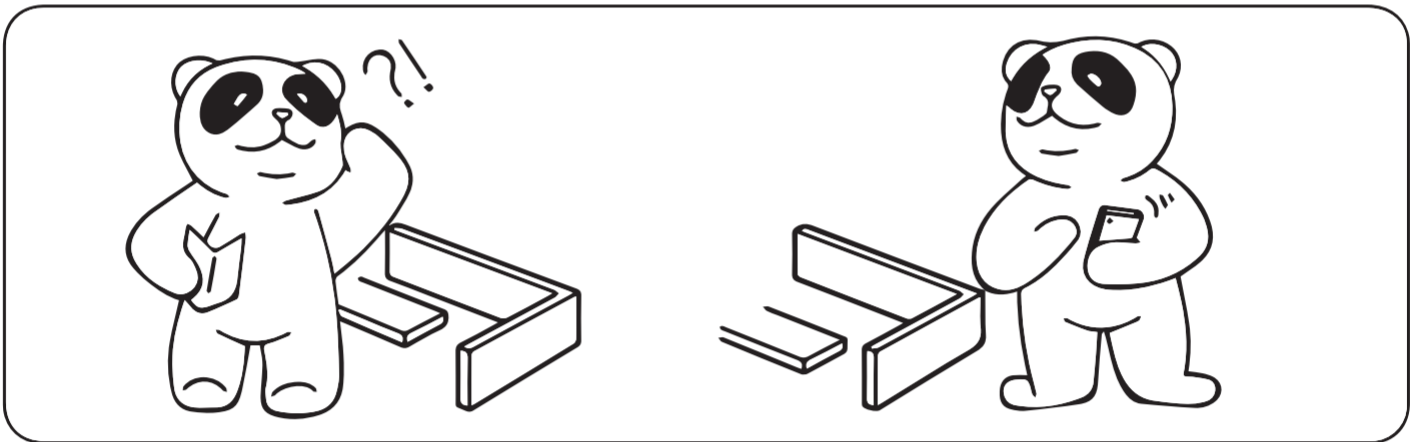
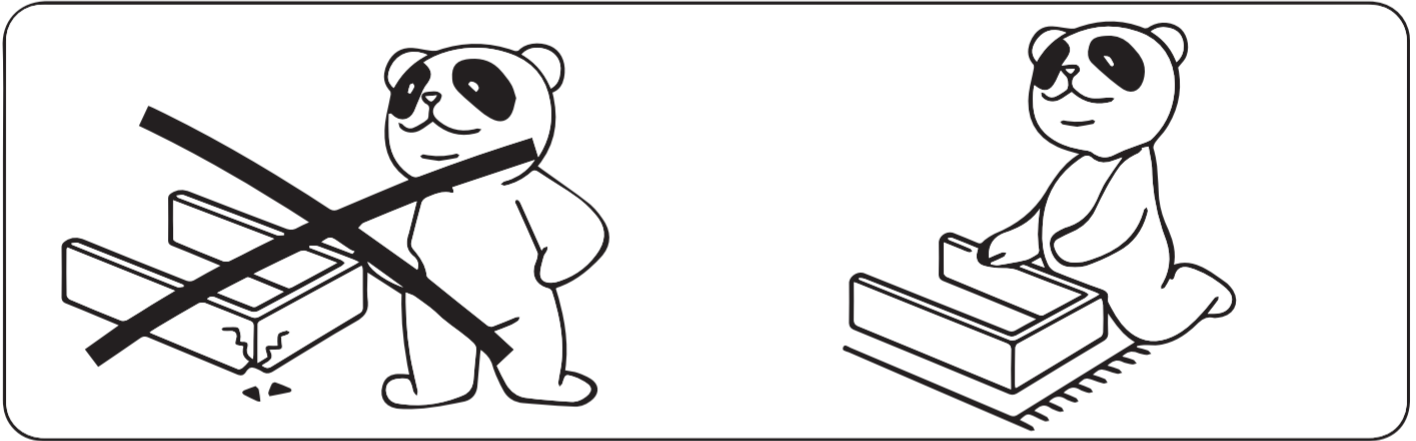
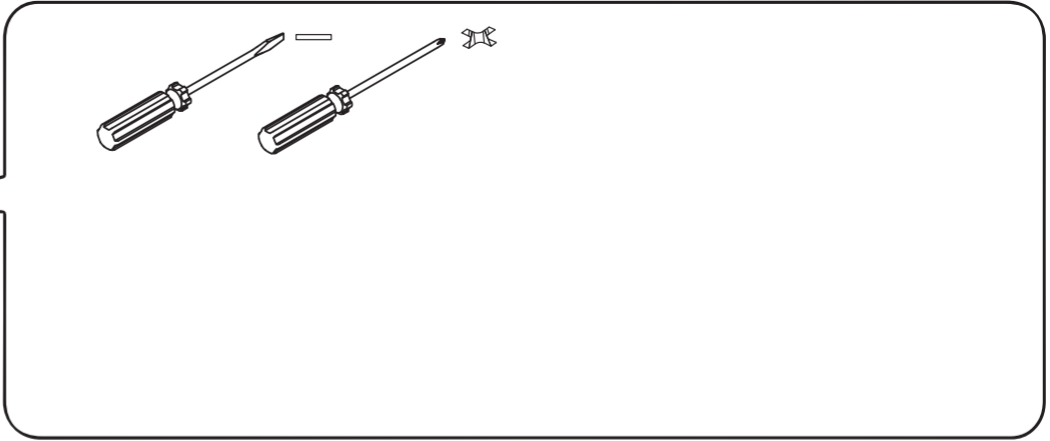
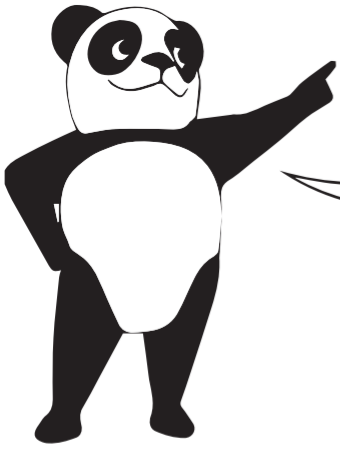


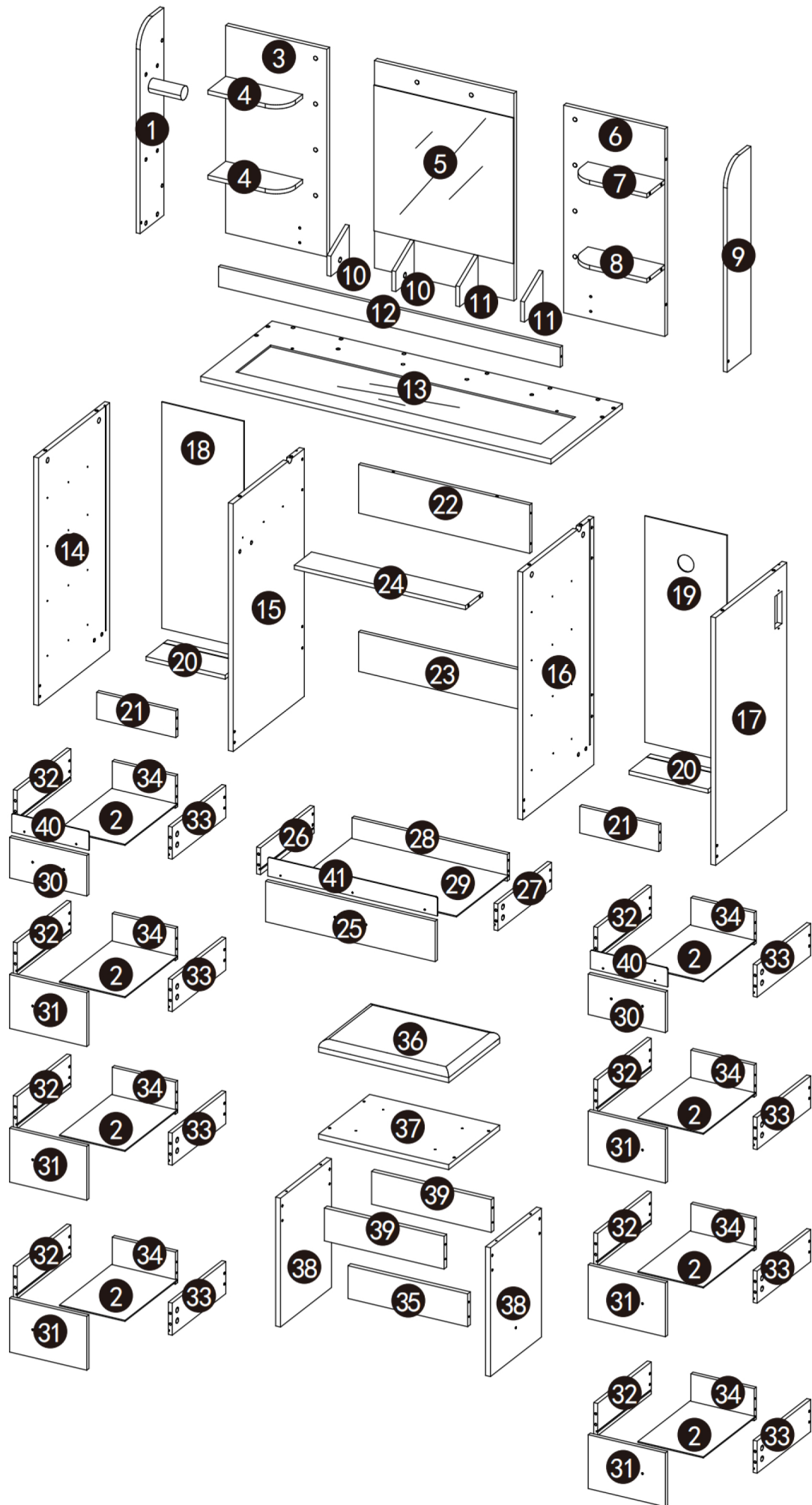


UBDT94


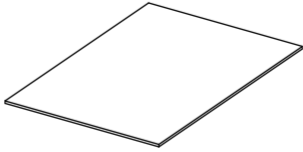
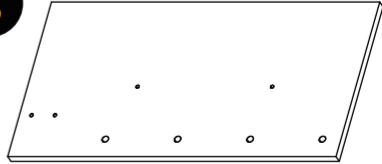
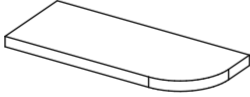
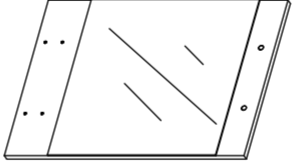
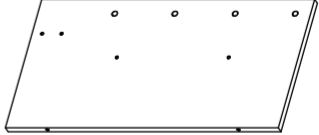
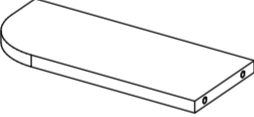
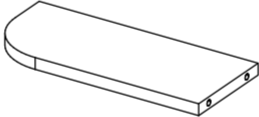

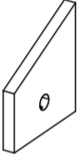
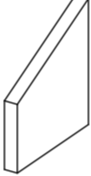

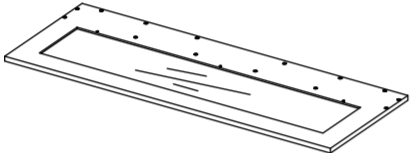
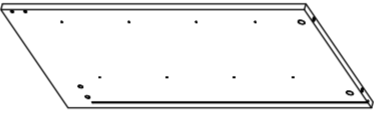

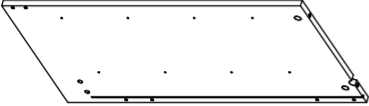




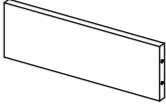
Instruction Manual

Thanks a lot your support and purchasing.
Please feel free to contact us if you have any questions with assembly or need replacement parts.



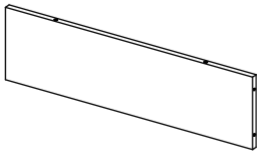


PARTS LIST

<p>1</p>  <p>641x110x12mm x1</p>	<p>2</p>  <p>208x296x3mm x8</p>	<p>3</p>  <p>266x640x12mm x1</p>
<p>4</p>  <p>205x96x12mm x2</p>	<p>5</p>  <p>540x640x12mm x1</p>	<p>6</p>  <p>266x640x12mm x1</p>
<p>7</p>  <p>205x96x12mm x1</p>	<p>8</p>  <p>205x96x12mm x1</p>	<p>9</p>  <p>641x110x12mm x1</p>
<p>10</p>  <p>95x84x12mm x2</p>	<p>11</p>  <p>95x84x12mm x2</p>	<p>12</p>  <p>1072x50x12mm x1</p>
<p>13</p>  <p>1100x400x15mm x1</p>	<p>14</p>  <p>745x398x12mm x1</p>	<p>15</p>  <p>745x398x12mm x1</p>
<p>16</p>  <p>745x398x12mm x1</p>	<p>17</p>  <p>745x398x12mm x1</p>	<p>18</p>  <p>258x661x3mm x1</p>
<p>19</p>  <p>258x661x3mm x1</p>	<p>20</p>  <p>250x100x12mm x2</p>	<p>21</p>  <p>250x80x12mm x2</p>

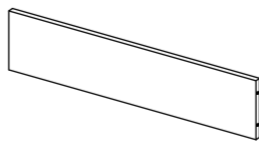
PARTS LIST

22



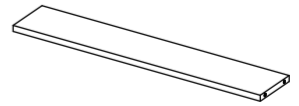
548x145x12mm x1

23



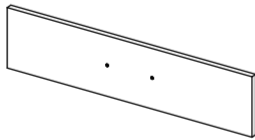
548x120x12mm x1

24



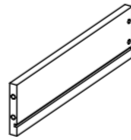
548x80x12mm x1

25



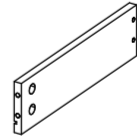
544x133x12mm x1

26



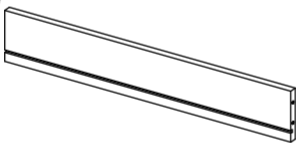
300x80x12mm x1

27



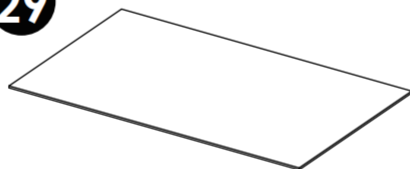
300x80x12mm x1

28



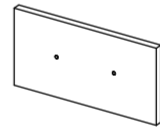
498x80x12mm x1

29



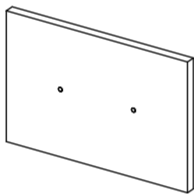
506x296x3mm x1

30



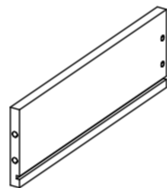
246x133x12mm x2

31



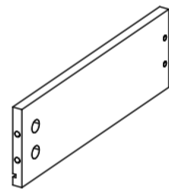
246x163x12mm x6

32



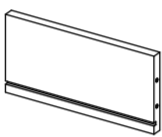
300x100x12mm x8

33



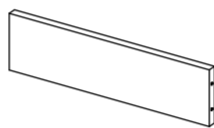
300x100x12mm x8

34



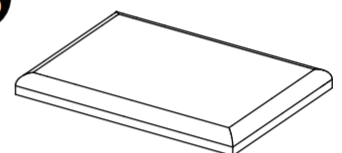
200x100x12mm x8

35



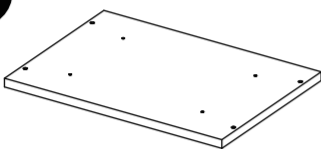
356x100x12mm x1

36



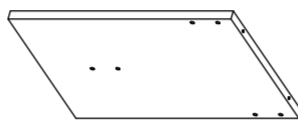
400x300x40mm x1

37



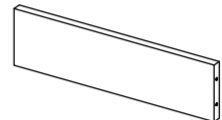
400x300x12mm x1

38



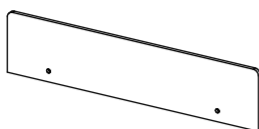
400x280x12mm x2

39



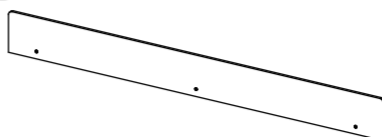
356x96x12mm x2

40





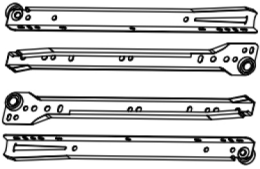



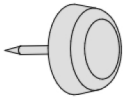




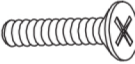


246x58x3mm x2

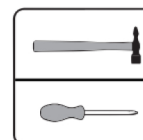
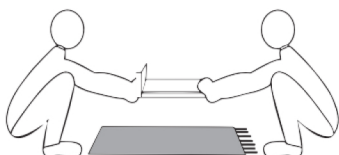
41



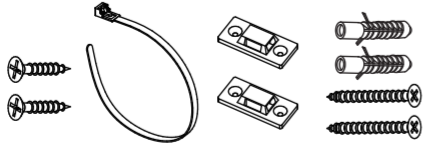

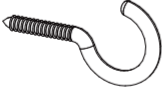



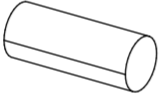
544x58x3mm x1

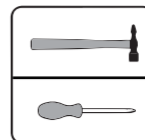
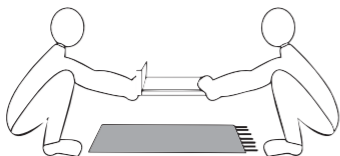
HARDWARE LIST

<p>A  6x40 x84</p>	<p>B  15x11 x84</p>
<p>C=CL+DL+CR+DR</p>	
<p>C  12inches x9</p>	<p>D  x1</p>
<p>E  M3.5x12 x107</p>	<p>F  M5x40/#3 x85/x1</p>
<p>G  x12</p>	<p>H  96mm x9</p>
<p>J  x8</p>	<p>K  x1</p>
<p>L  21mm x20</p>	<p>M  M4x14 x18</p>
<p>N  M3x14 x15</p>	<p>O  x6</p>



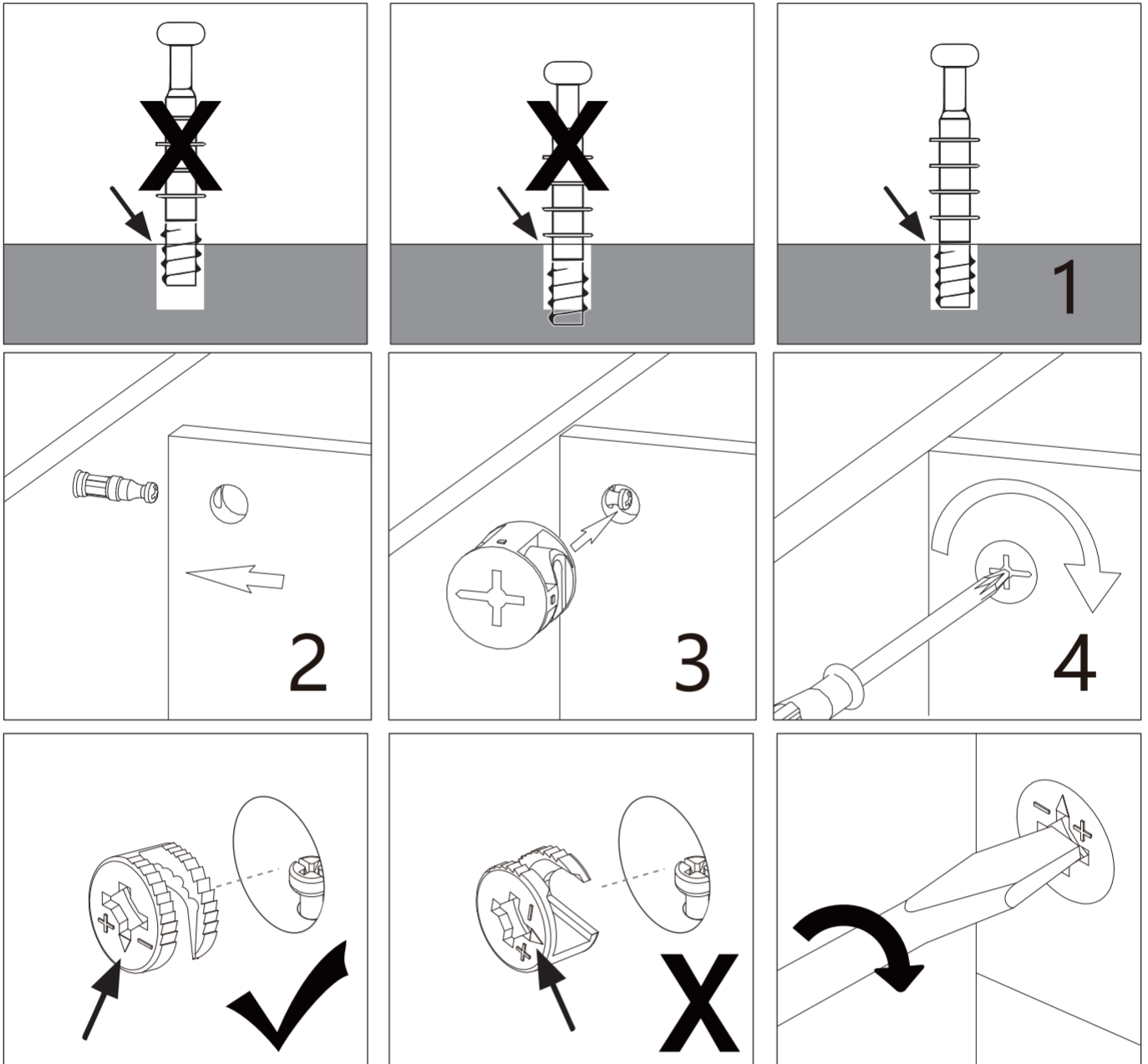
HARDWARE LIST

<p>P</p>  <p>x1</p>	<p>Q</p>  <p>M3.5x25 x4</p>
<p>R</p>  <p>x5</p>	<p>S</p>  <p>x3</p>
<p>T</p>  <p>x1</p>	<p>U</p>  <p>M6x20 x1</p>
<p>W</p>  <p>Ø50x115 x1</p>	

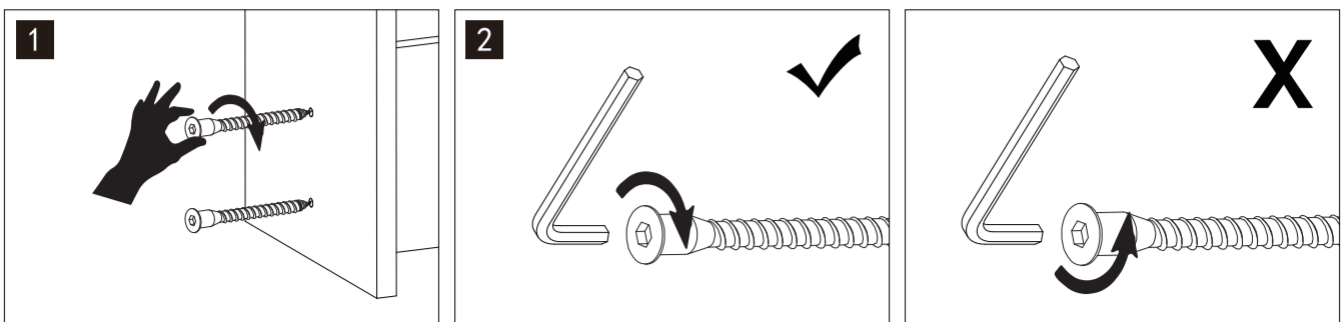


Hardware installation indication

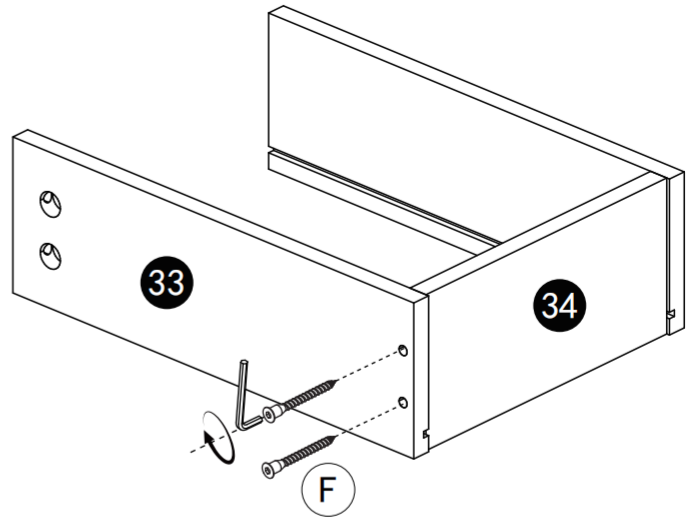
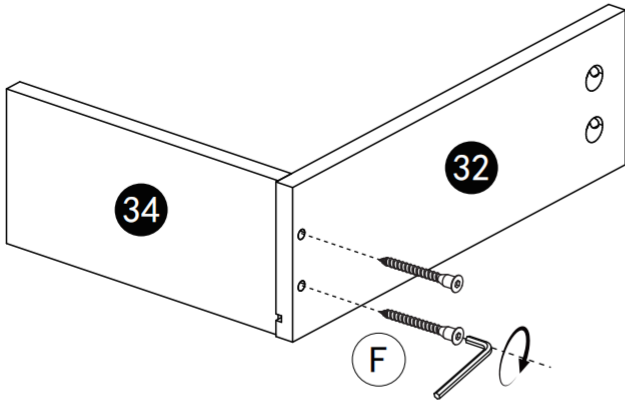
Installation method of three in one rod and buckle



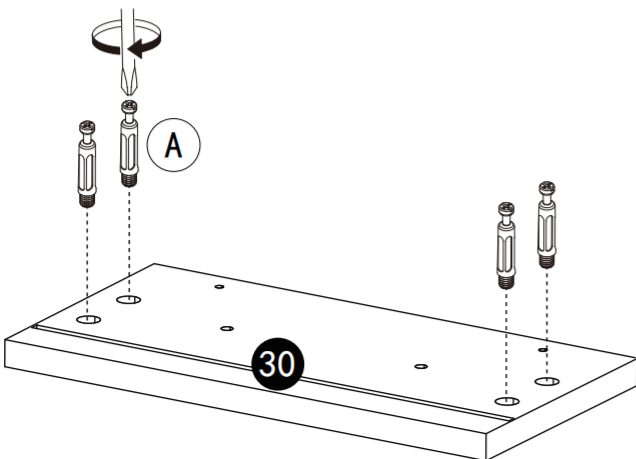
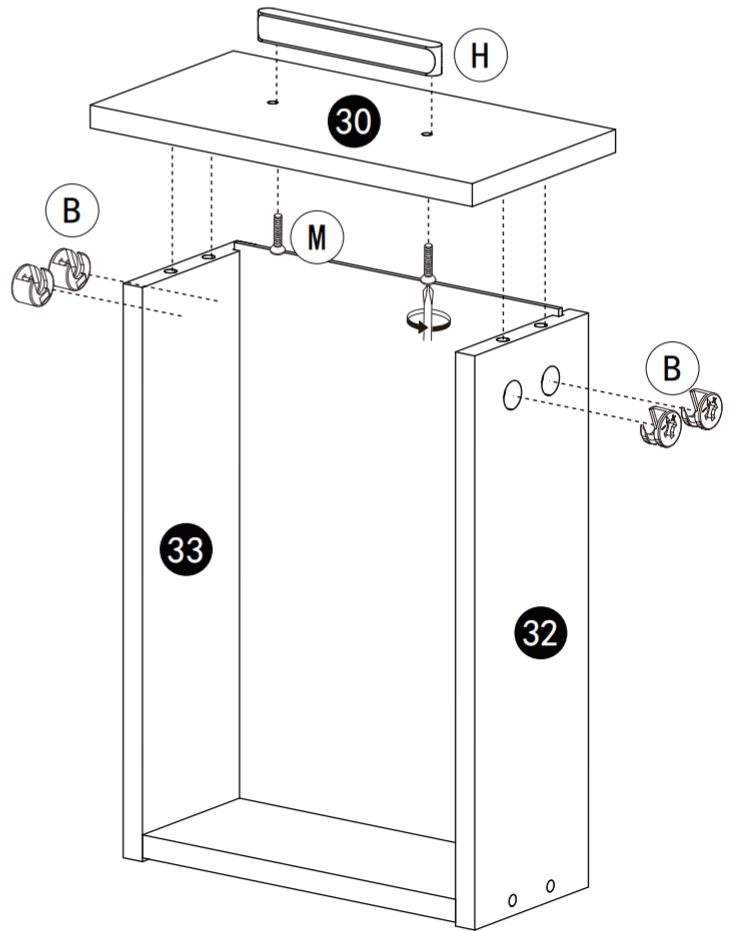
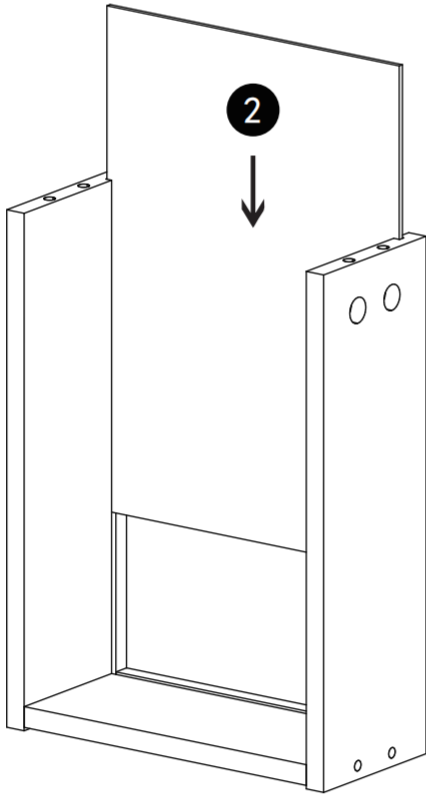
Screw installation method








1



X2

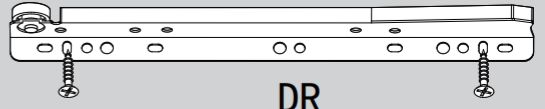


	H		x2		
M		x4	A		x8
B		x8	F		x8

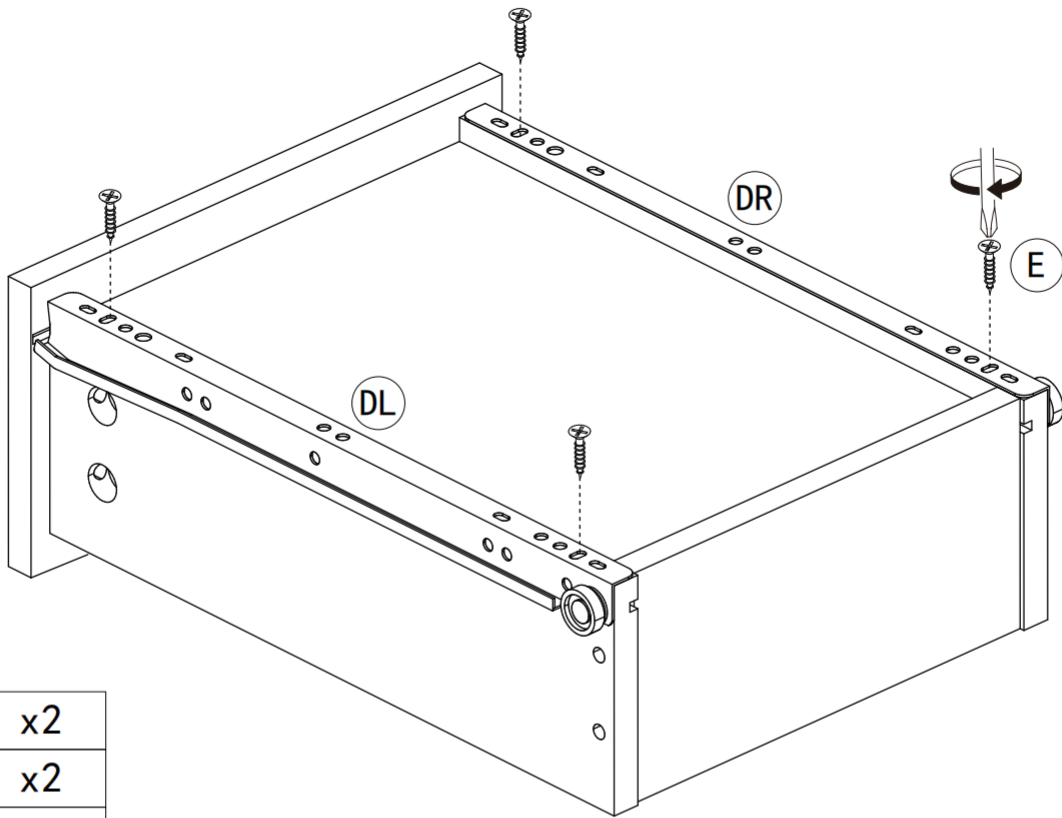
2






DL

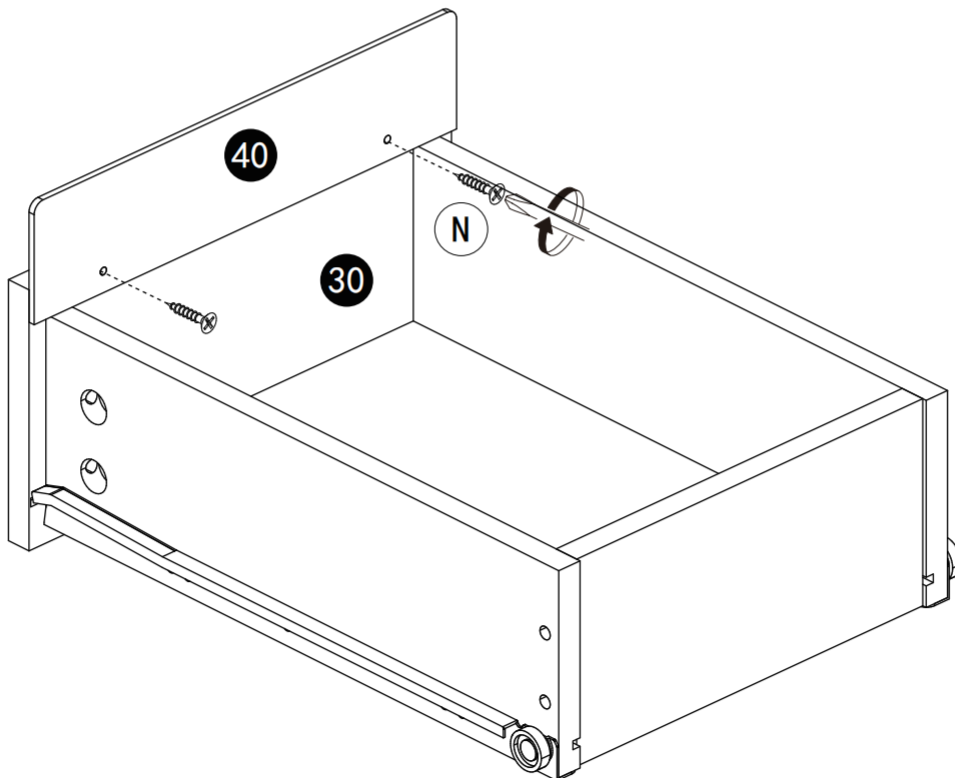


DR



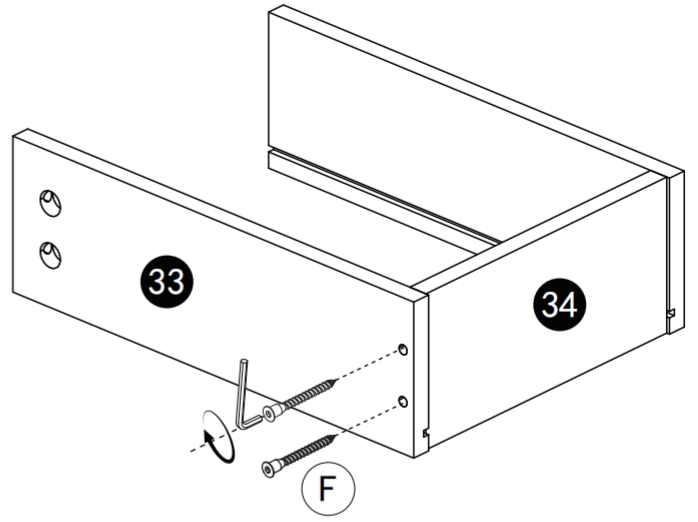
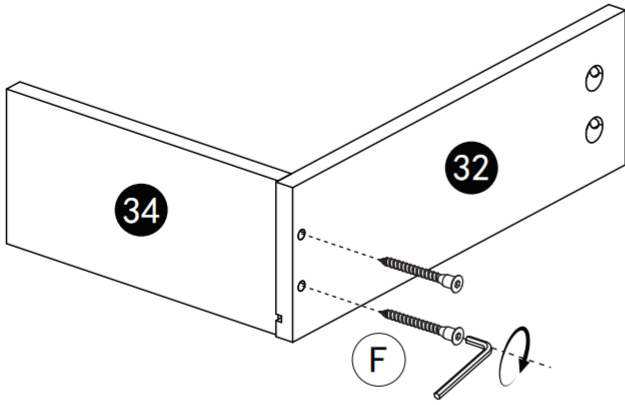
DL		x2
DR		x2
E		x8

X2

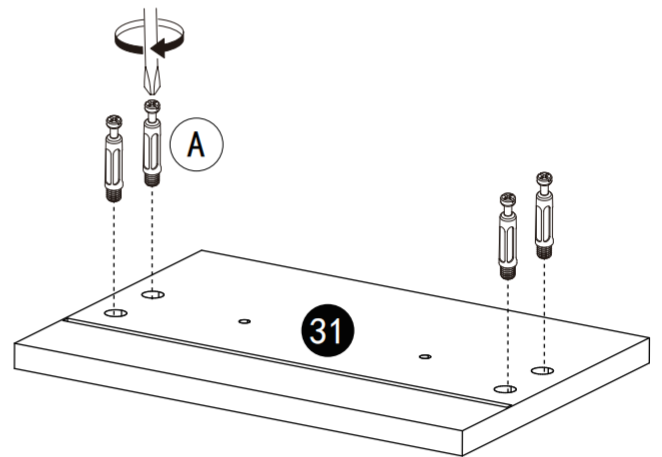
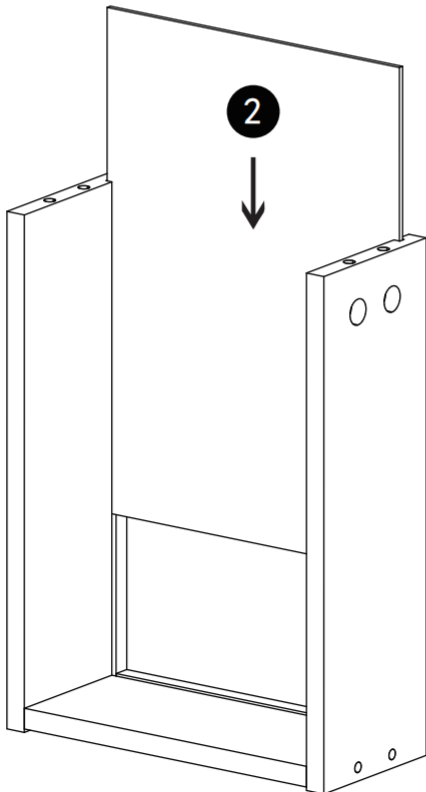




N		x4
---	---	----

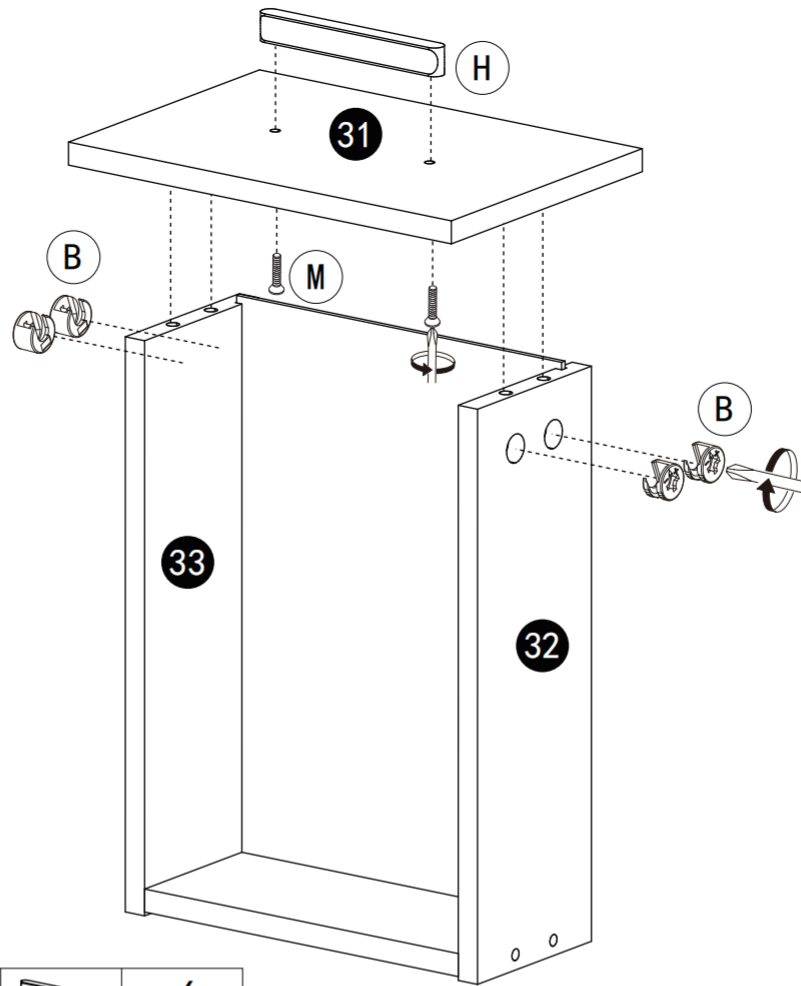
3






X6

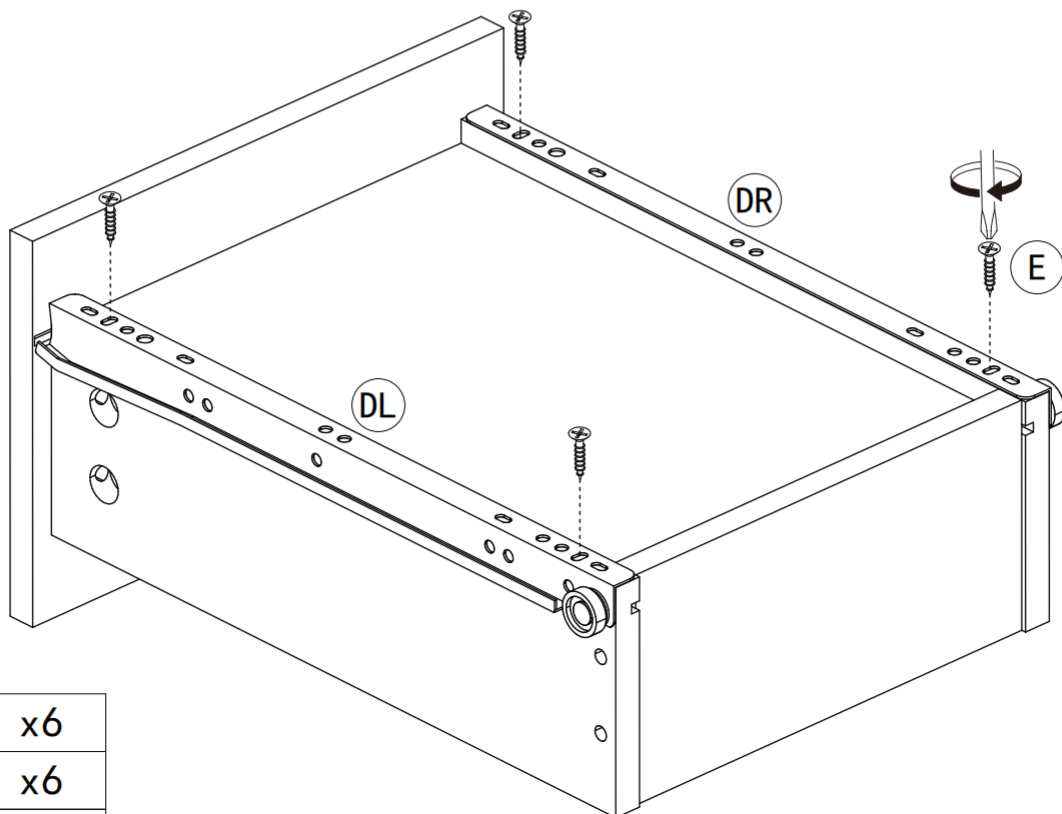
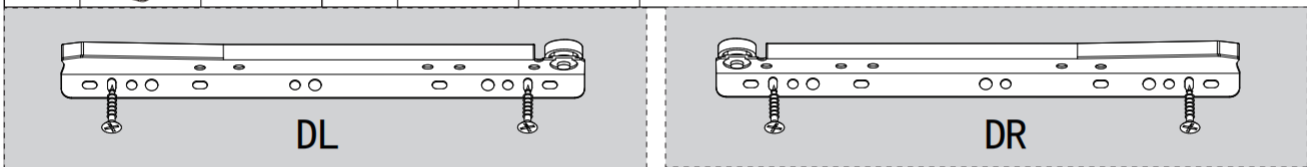



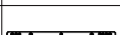

A		x24
F		x24



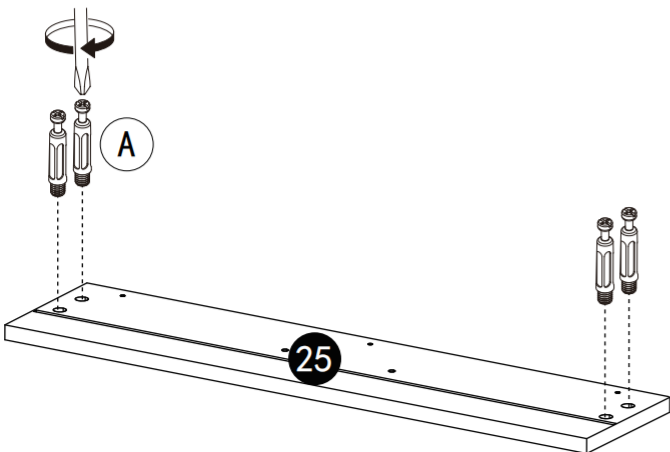
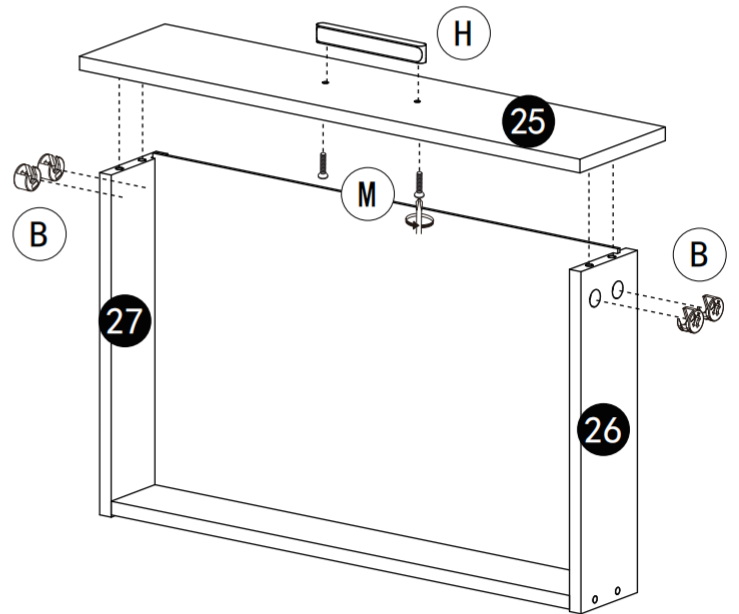
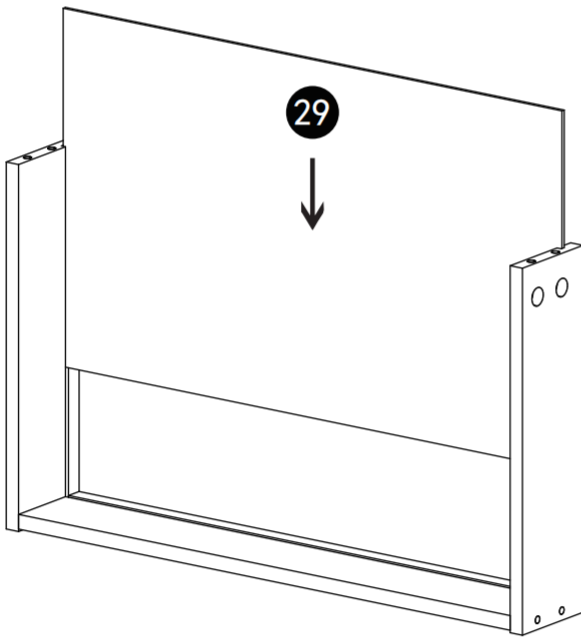
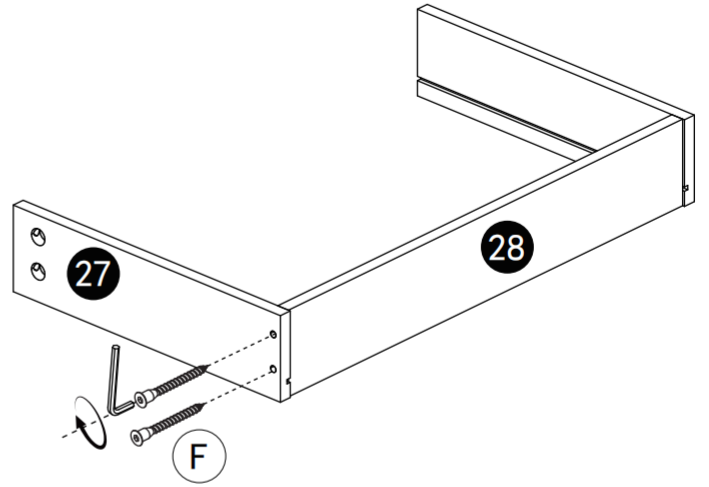
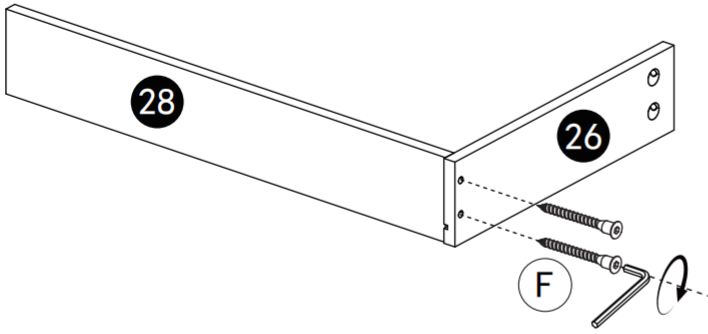
M		x12		
B		x24	H	 x6






X6



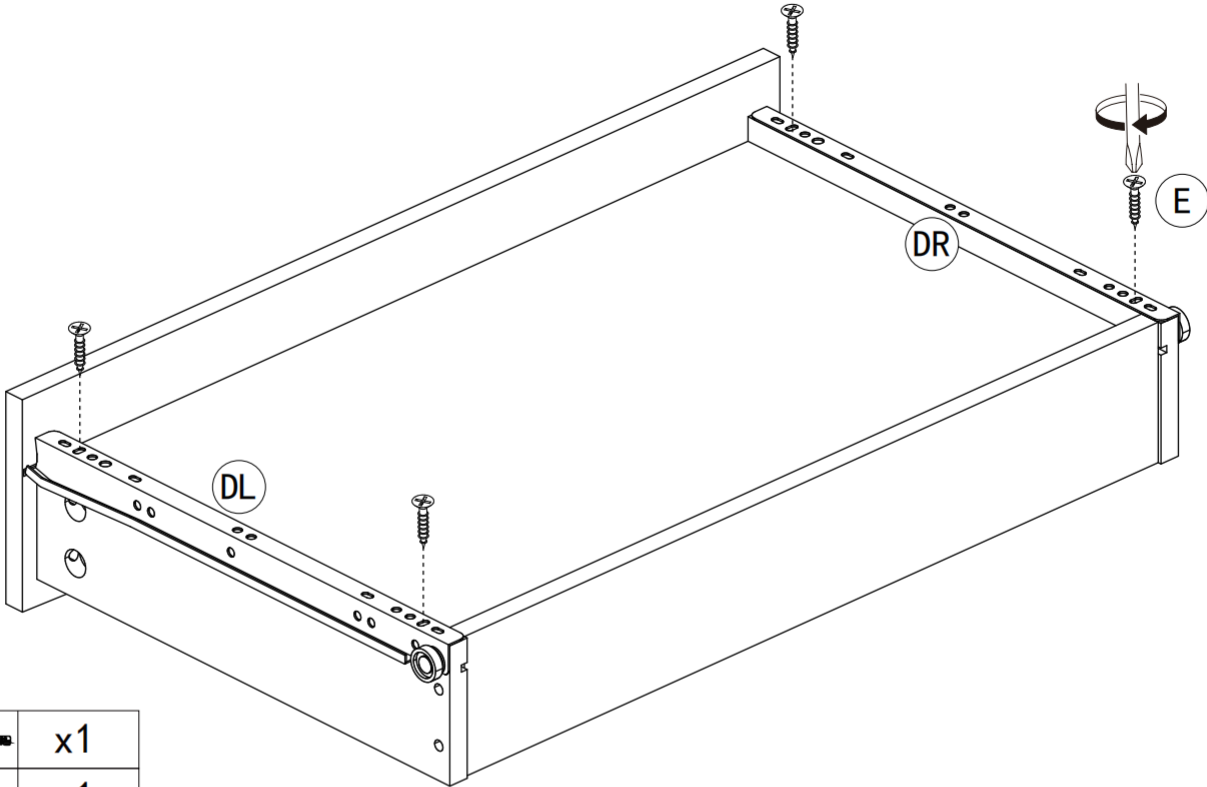
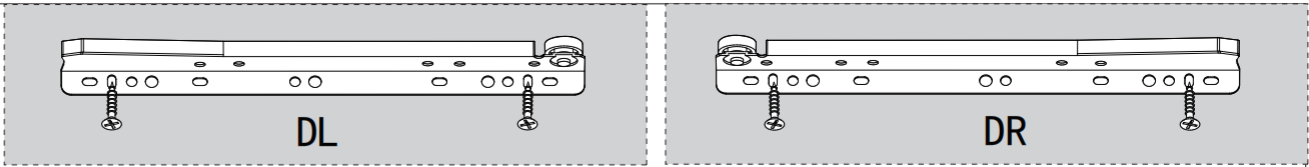
DL		x6
DR		x6
E		x24




5

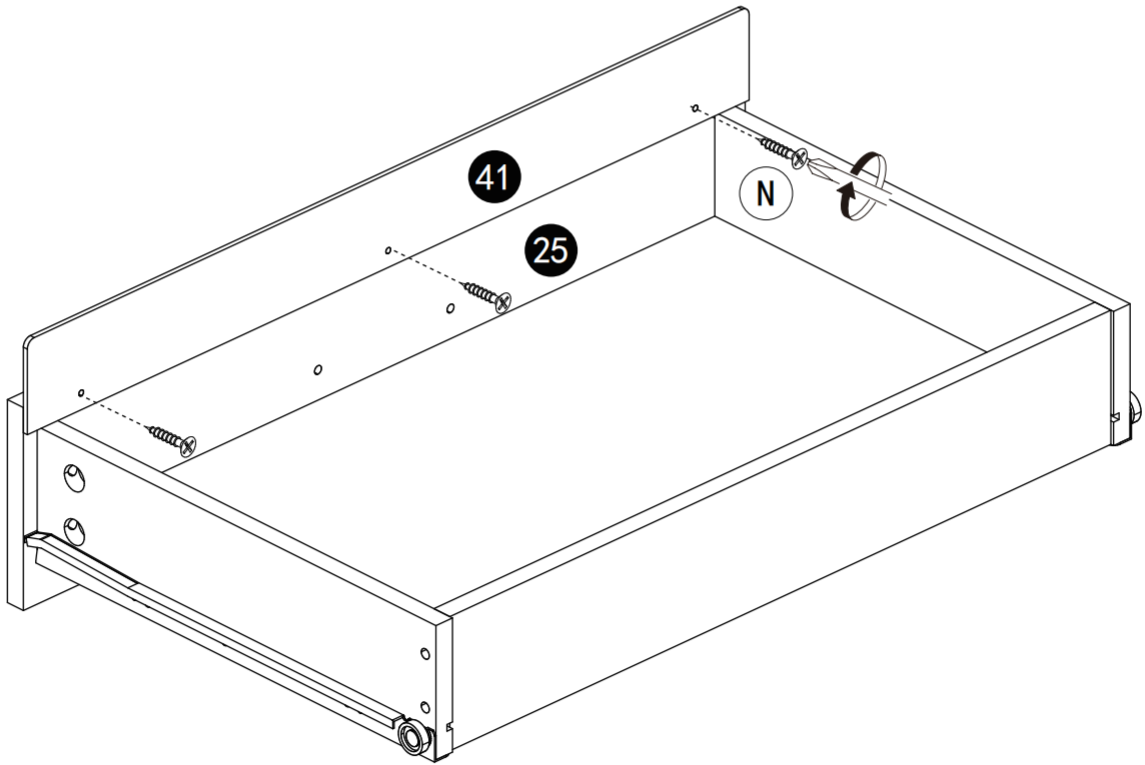



	H		x1	
M		A		x4
B		F		x4

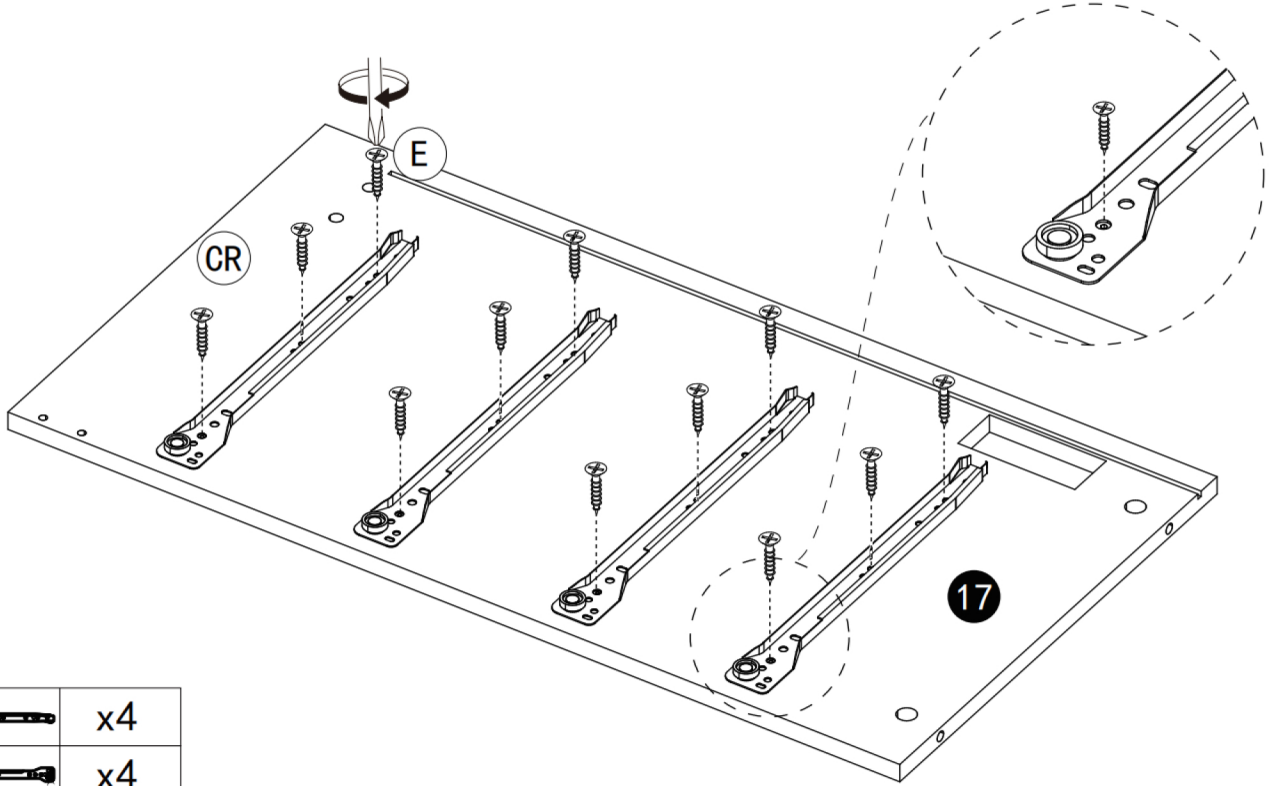
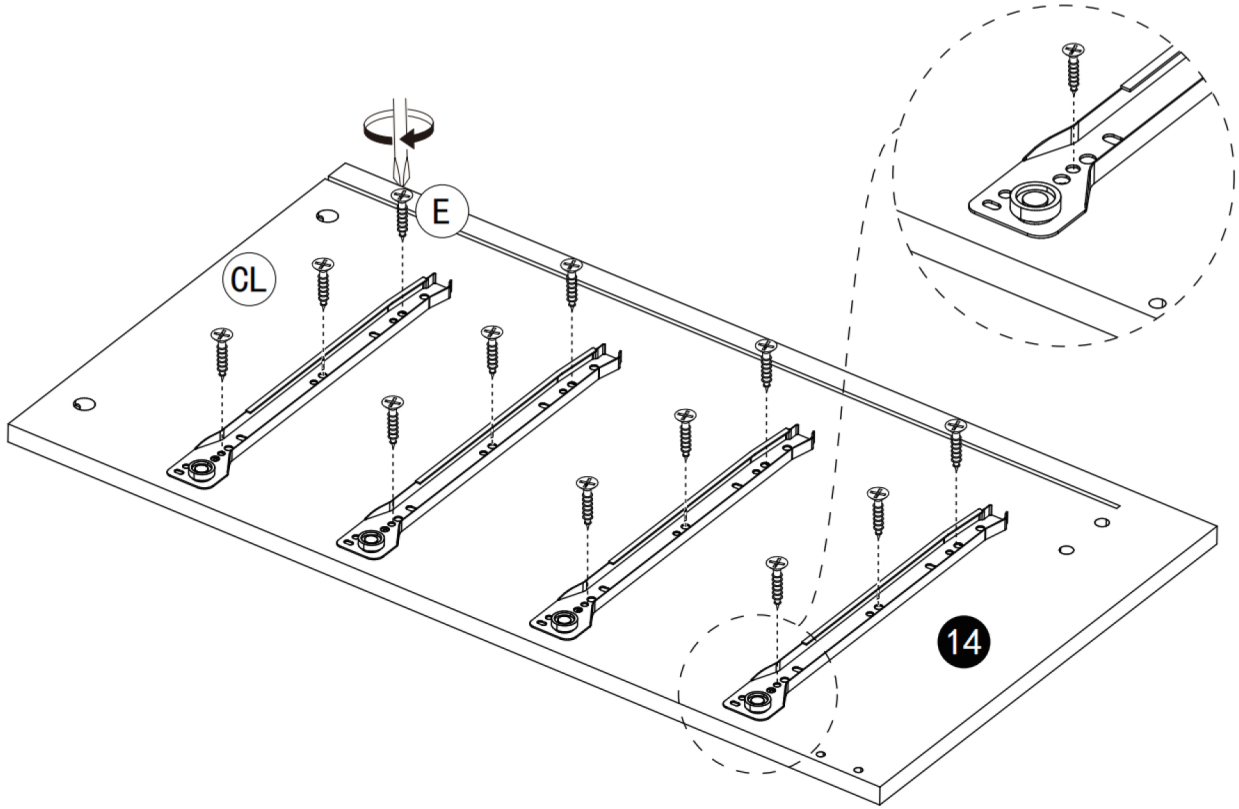
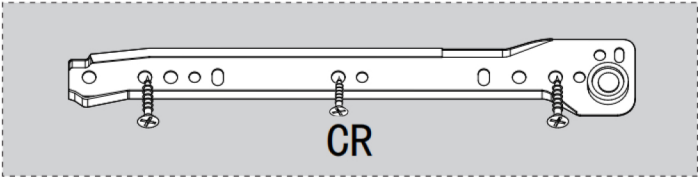
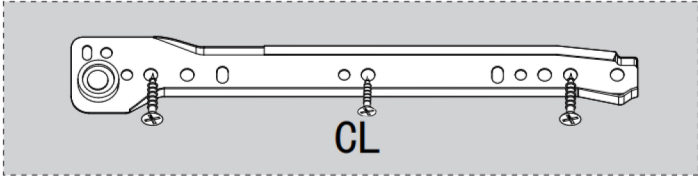
6






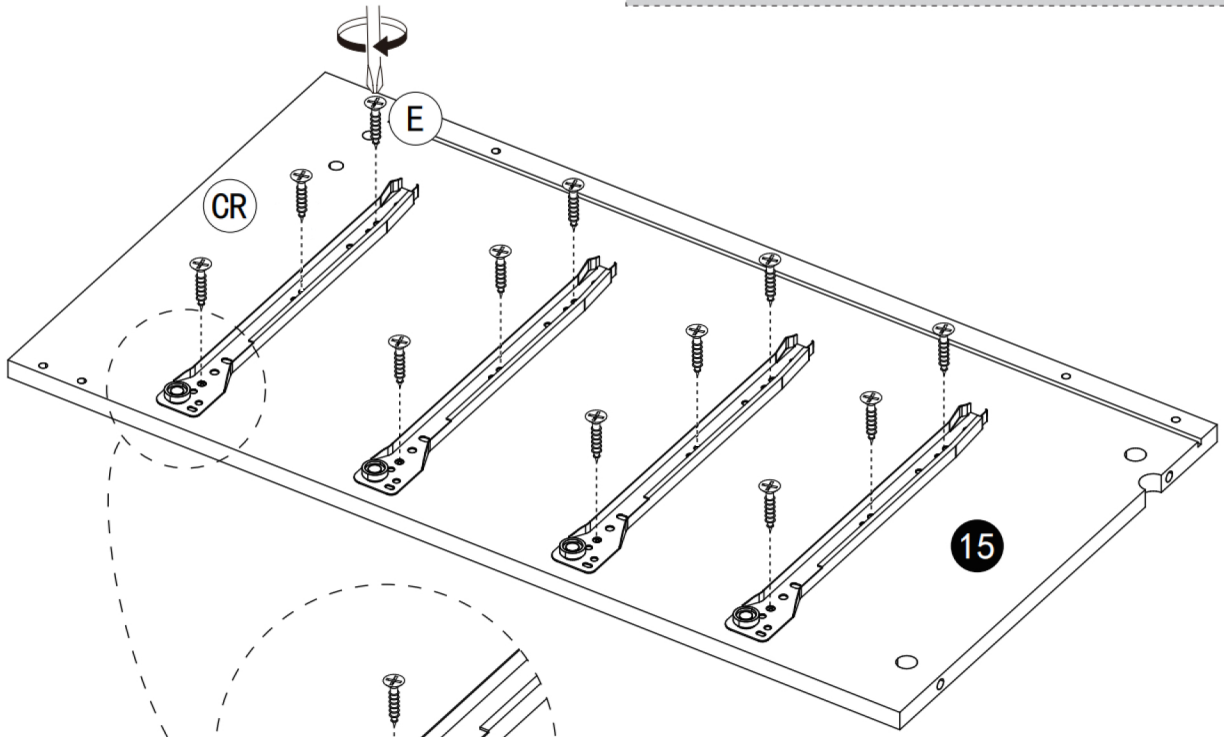
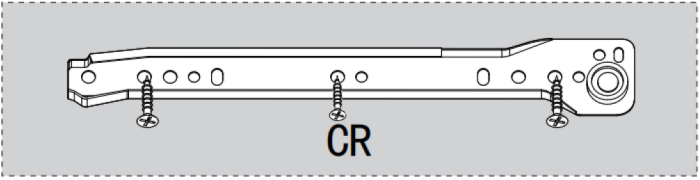
DL		x1
DR		x1
E		x4



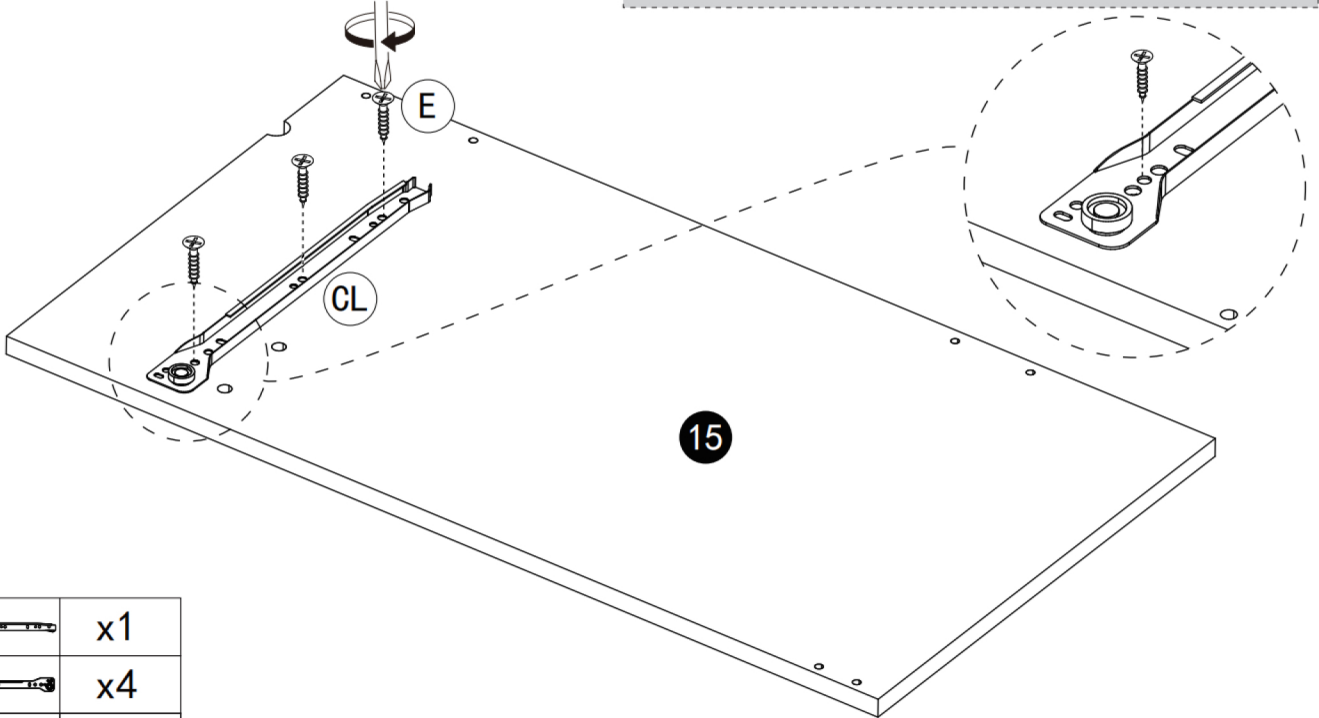
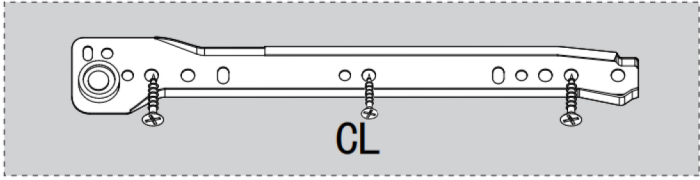
N		x3
---	---	----






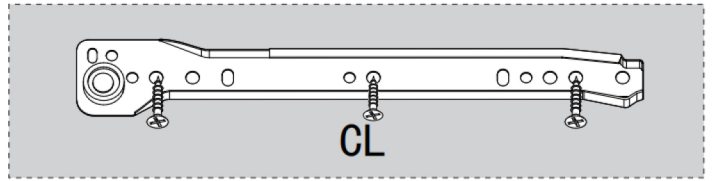
CL		x4
CR		x4
E		x24



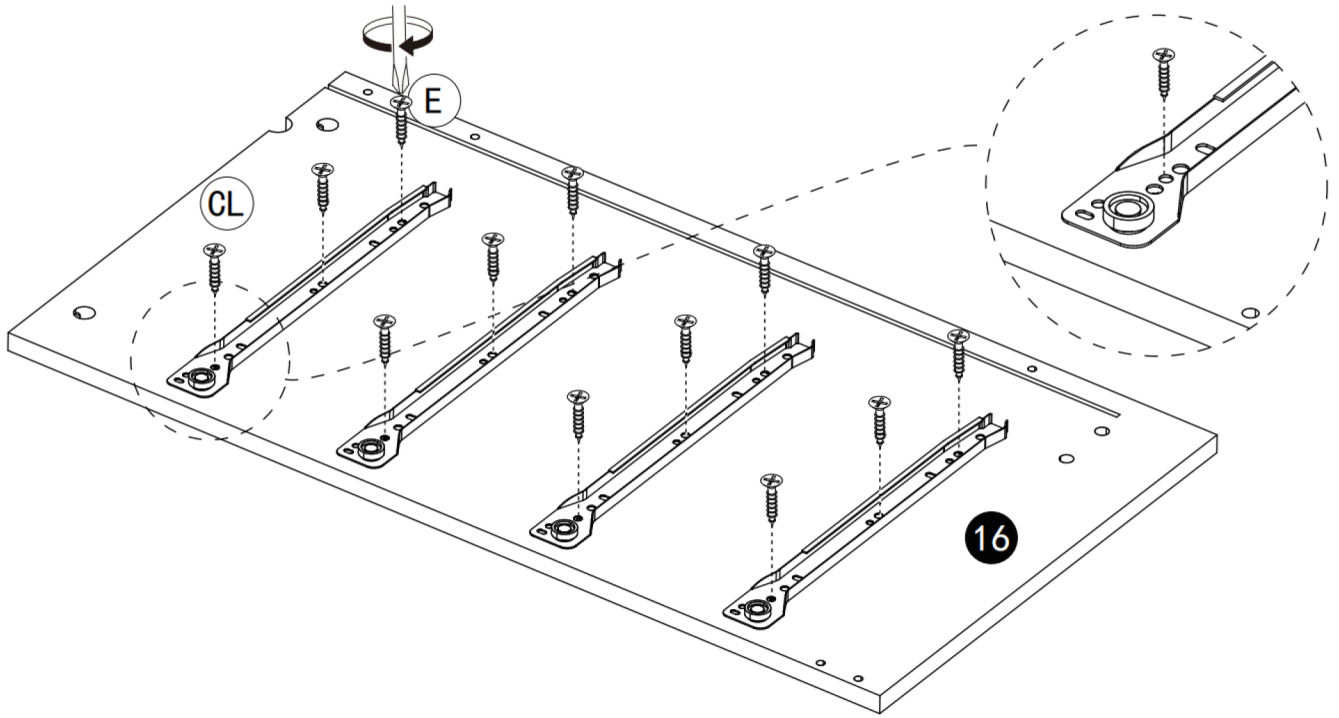
flip over



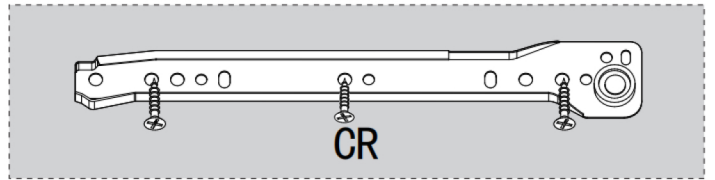
CL		x1
CR		x4
E		x15



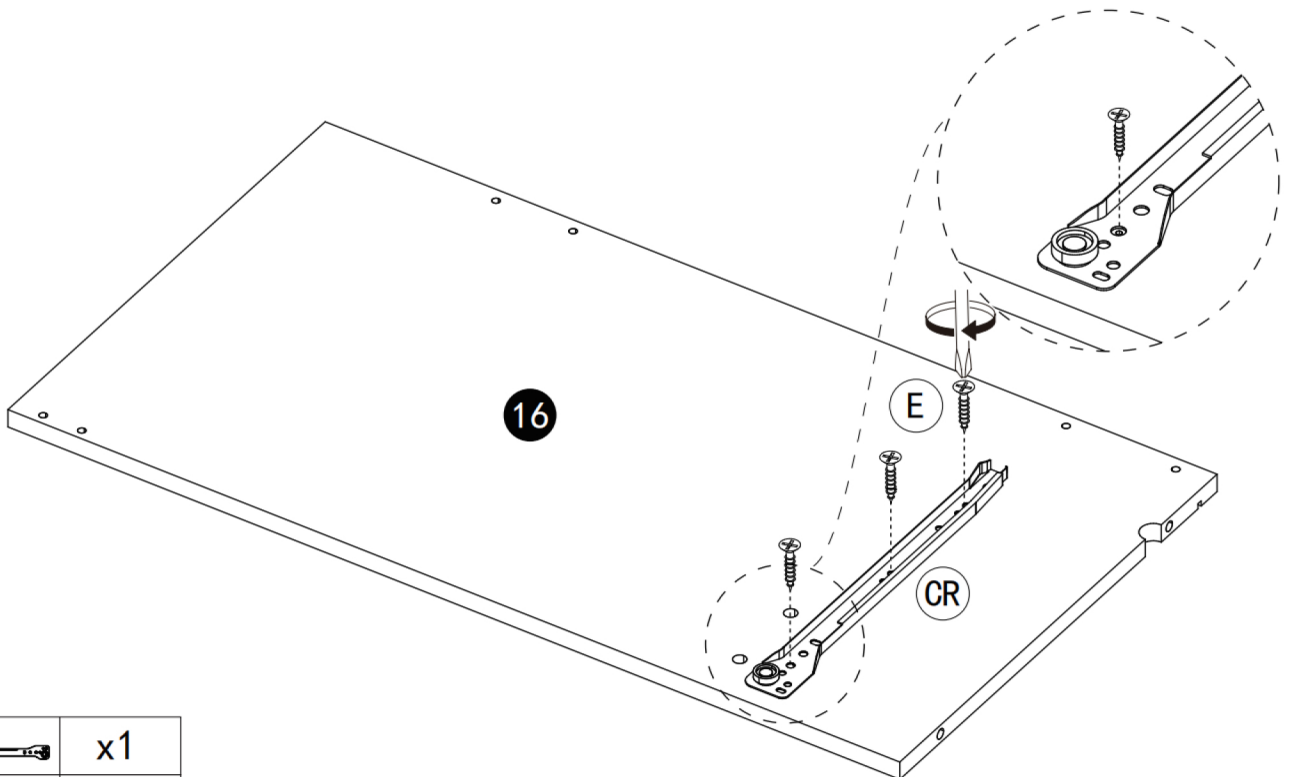
CL






flip over



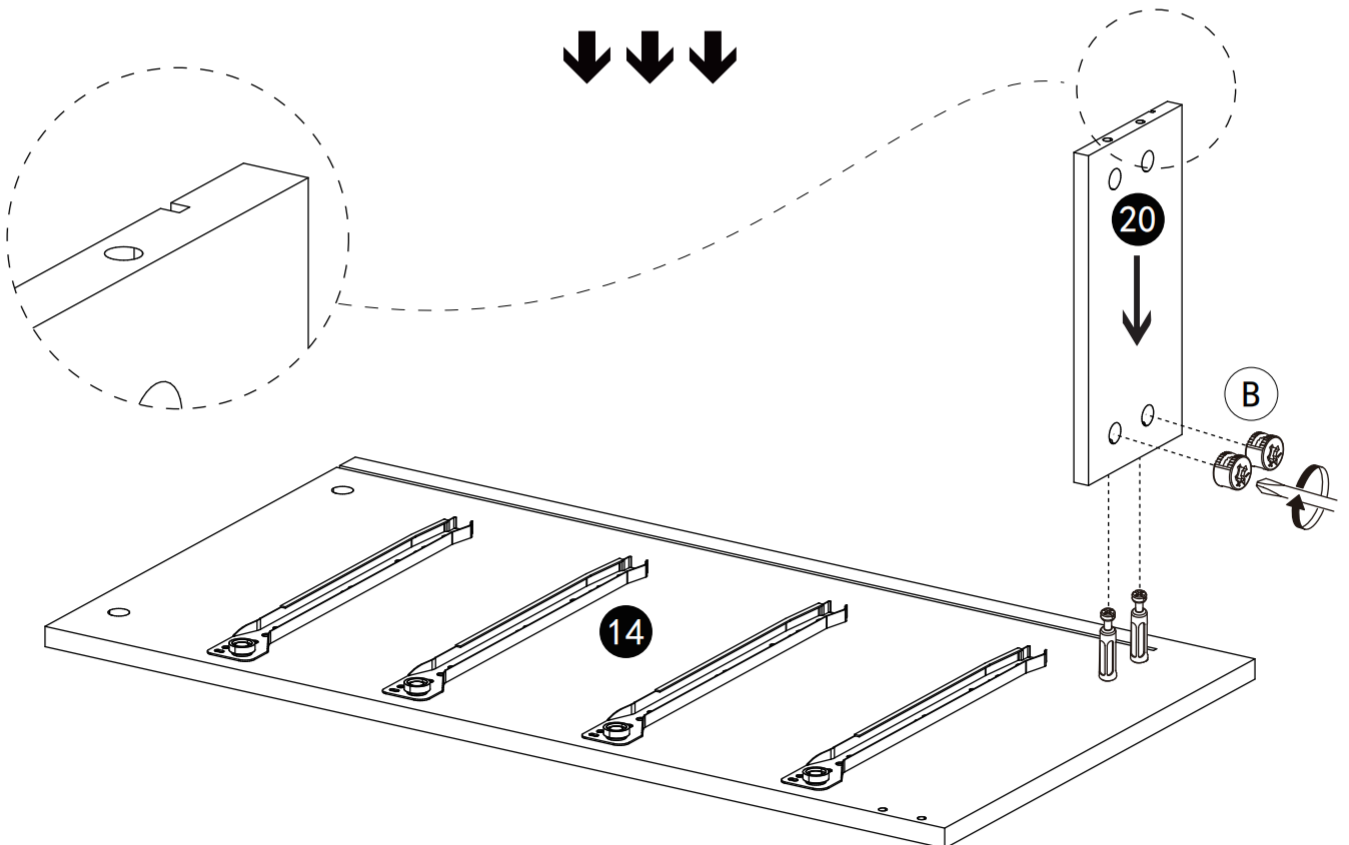
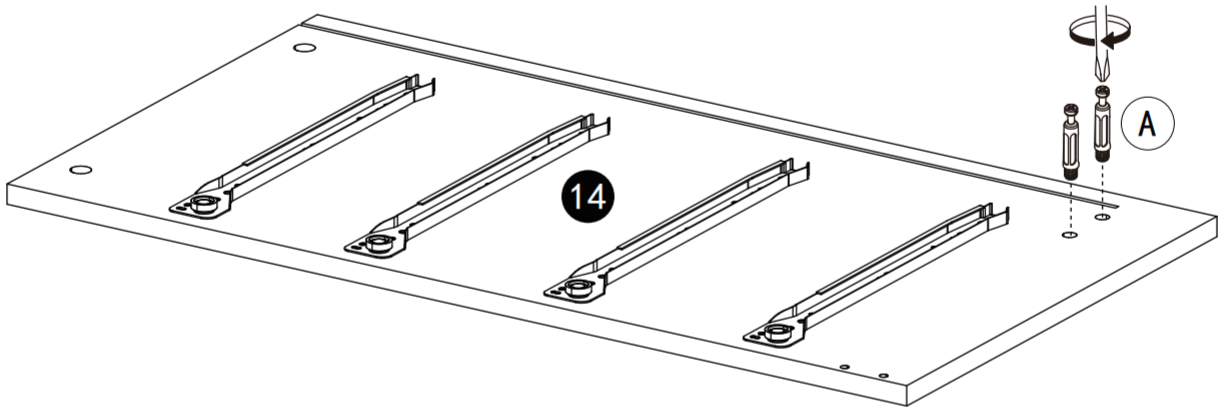
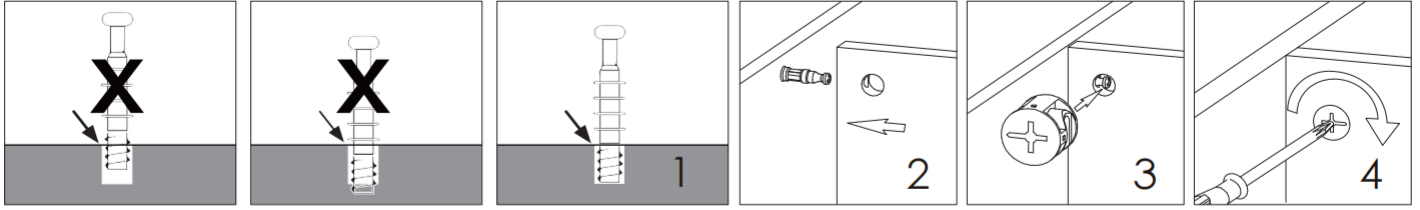
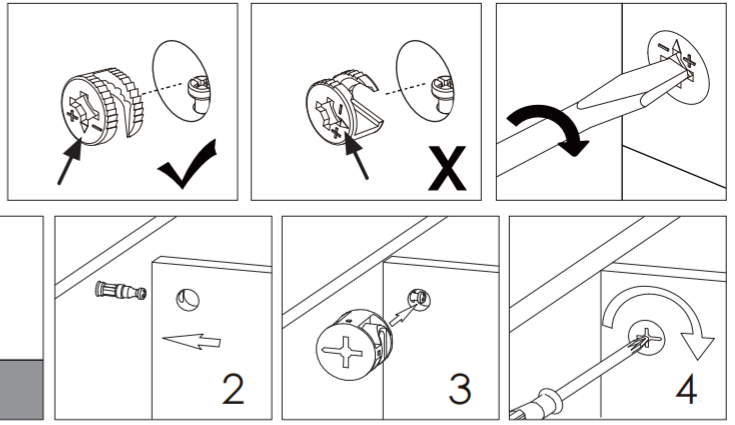
CR





CR		x1
CL		x4
E		x15

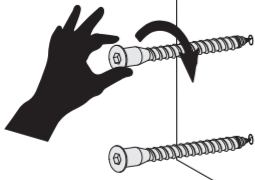
10

Installation method of three in one rod and buckle



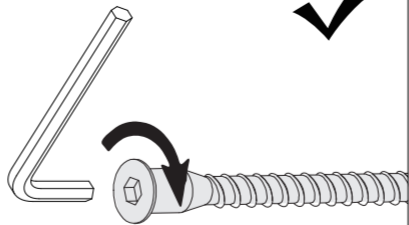
A		x2
B		x2

11

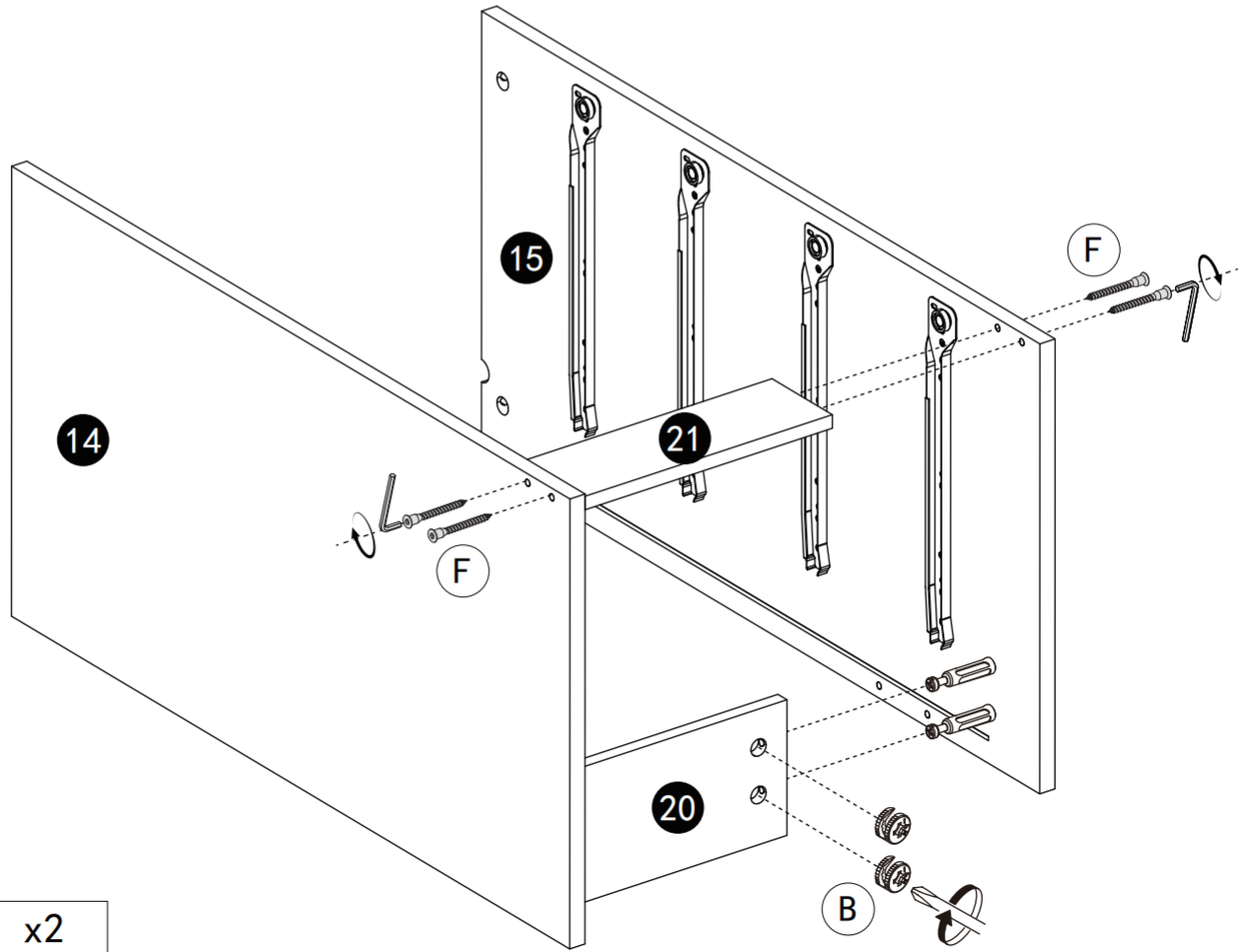
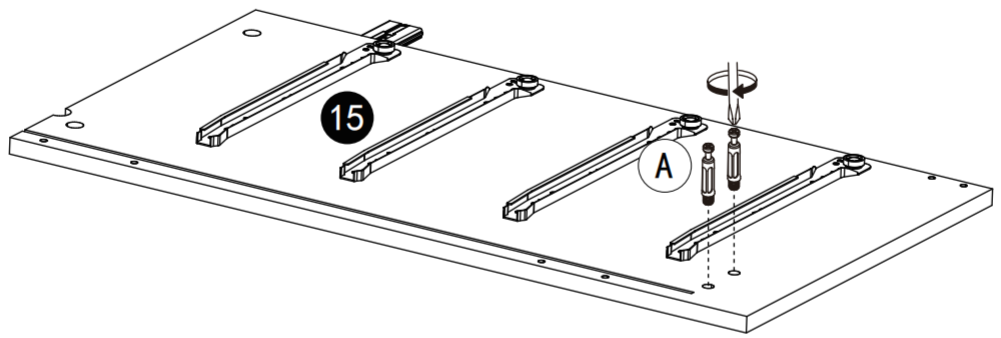
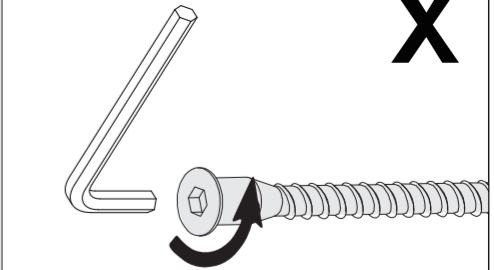


1

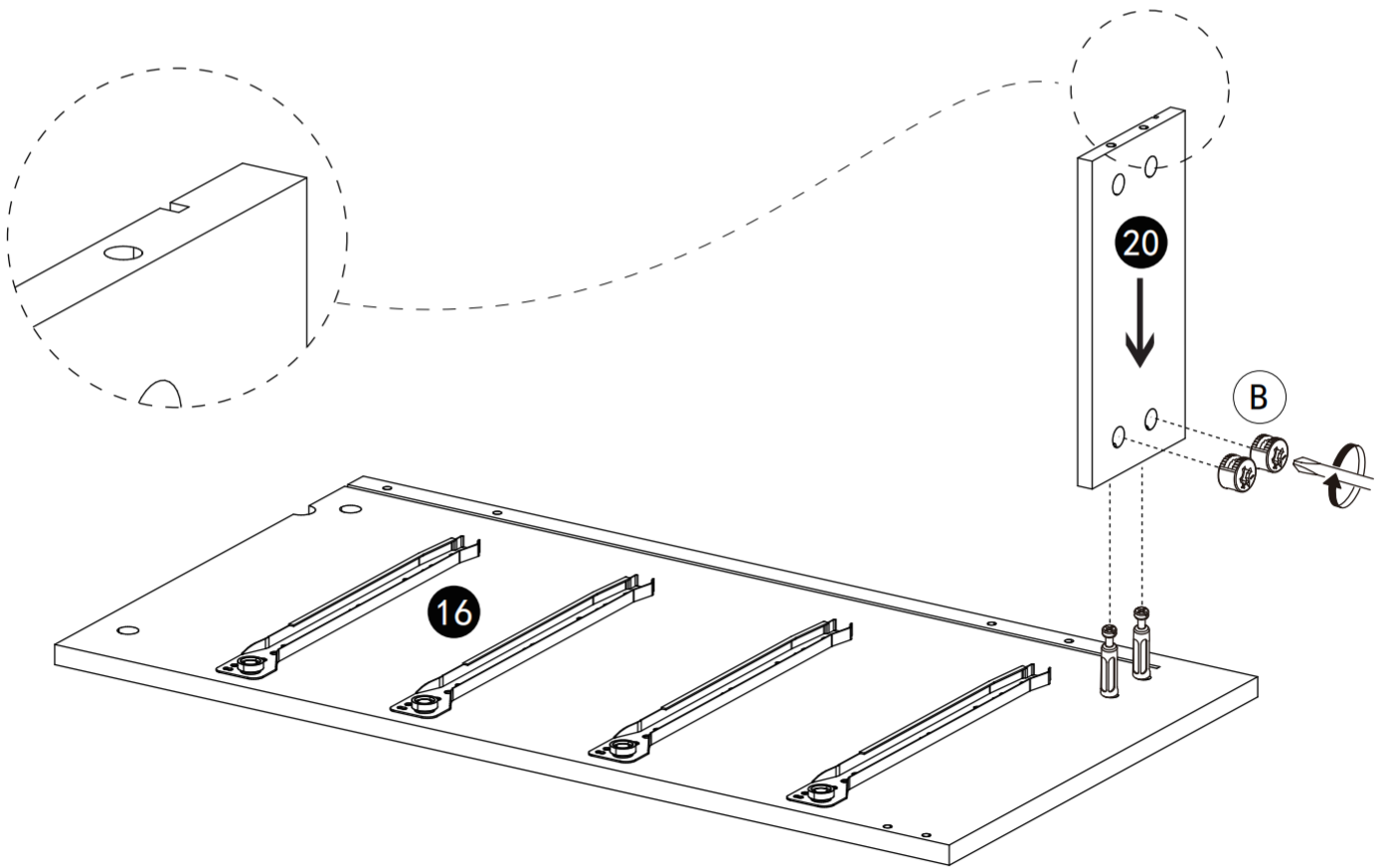
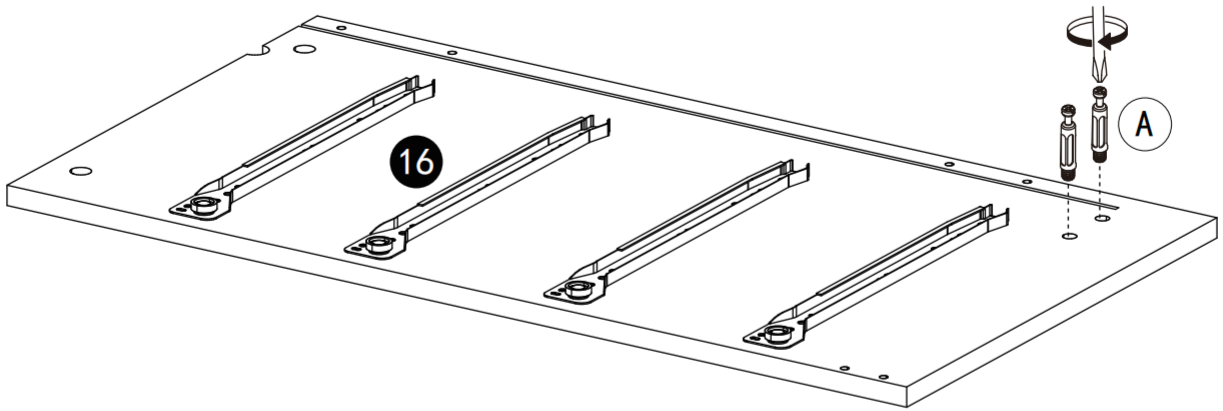
2





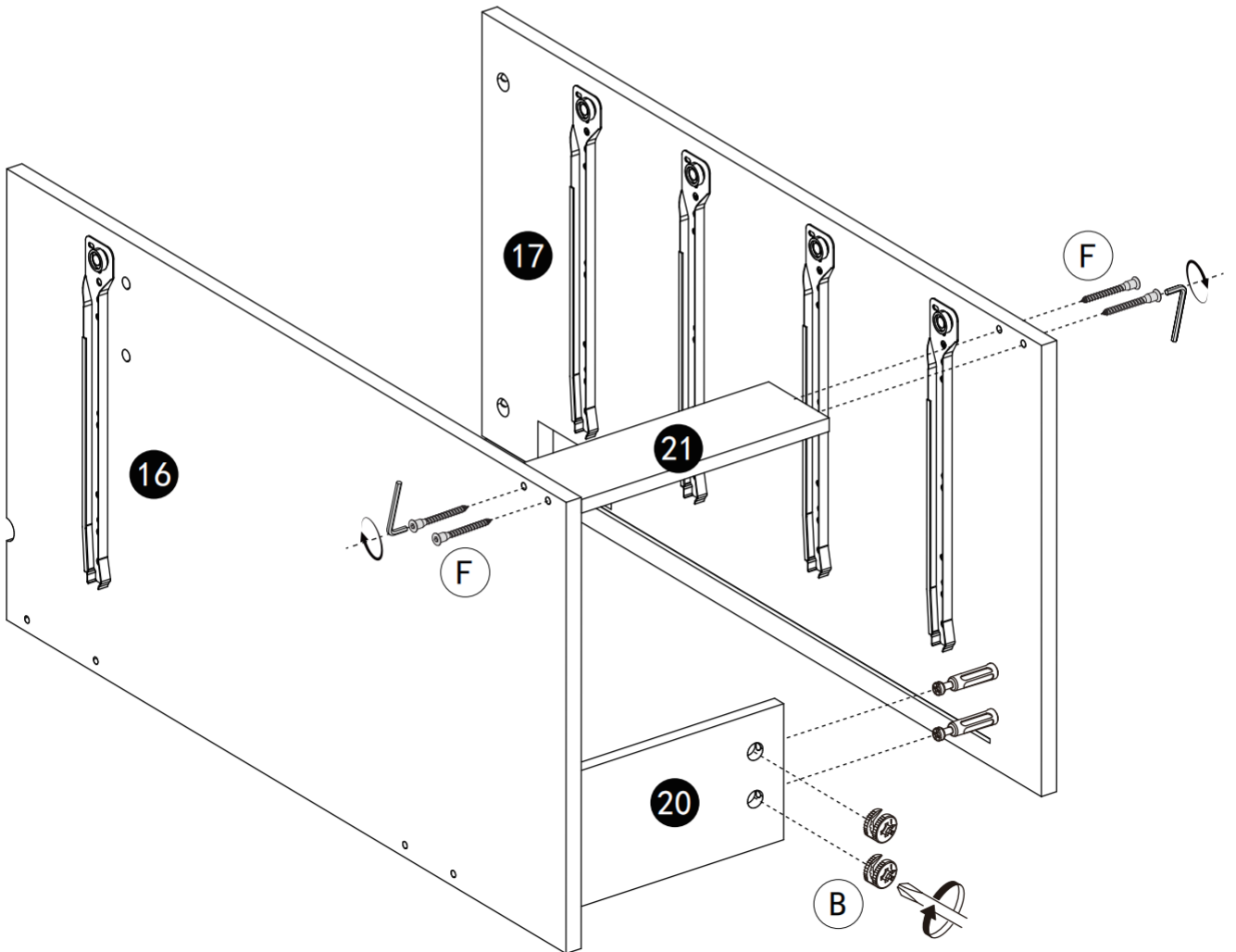
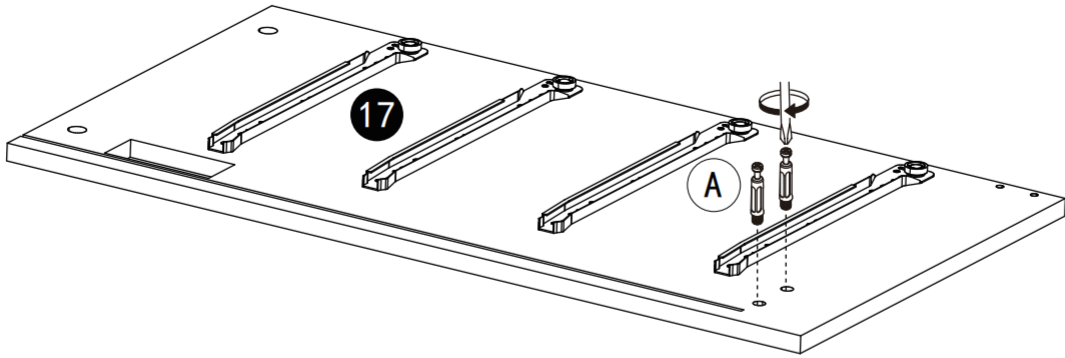
X






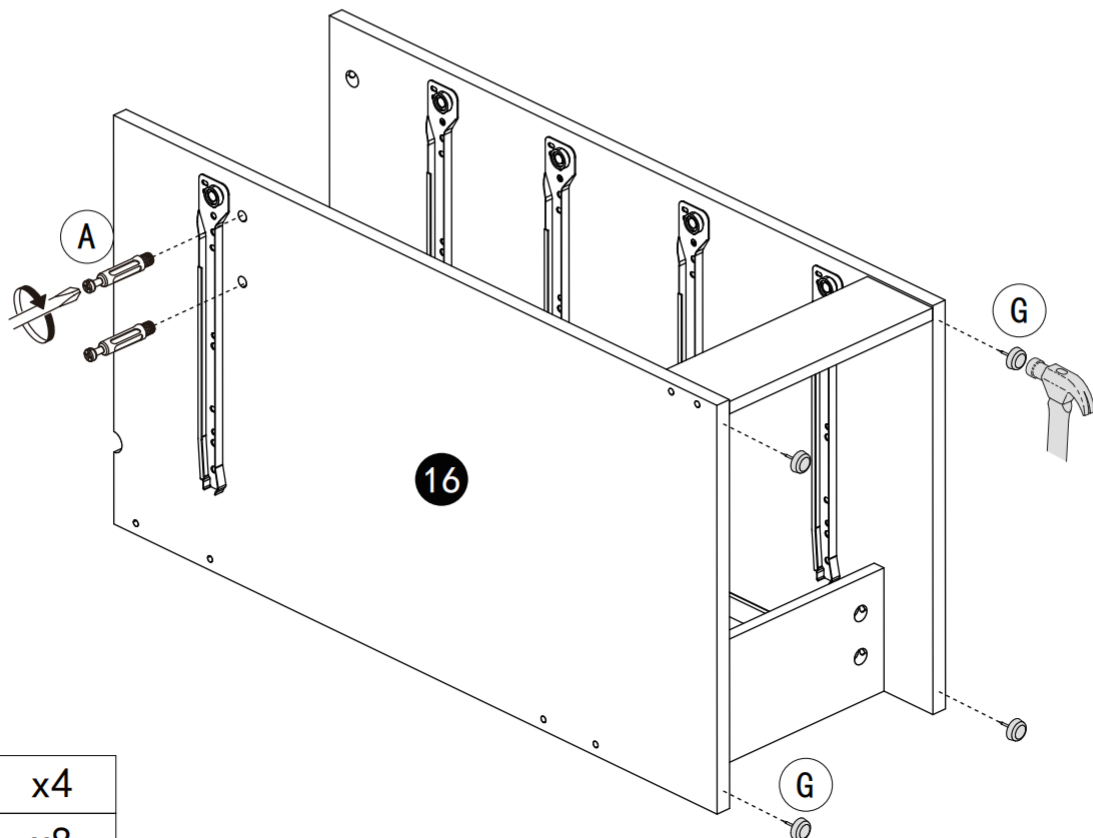
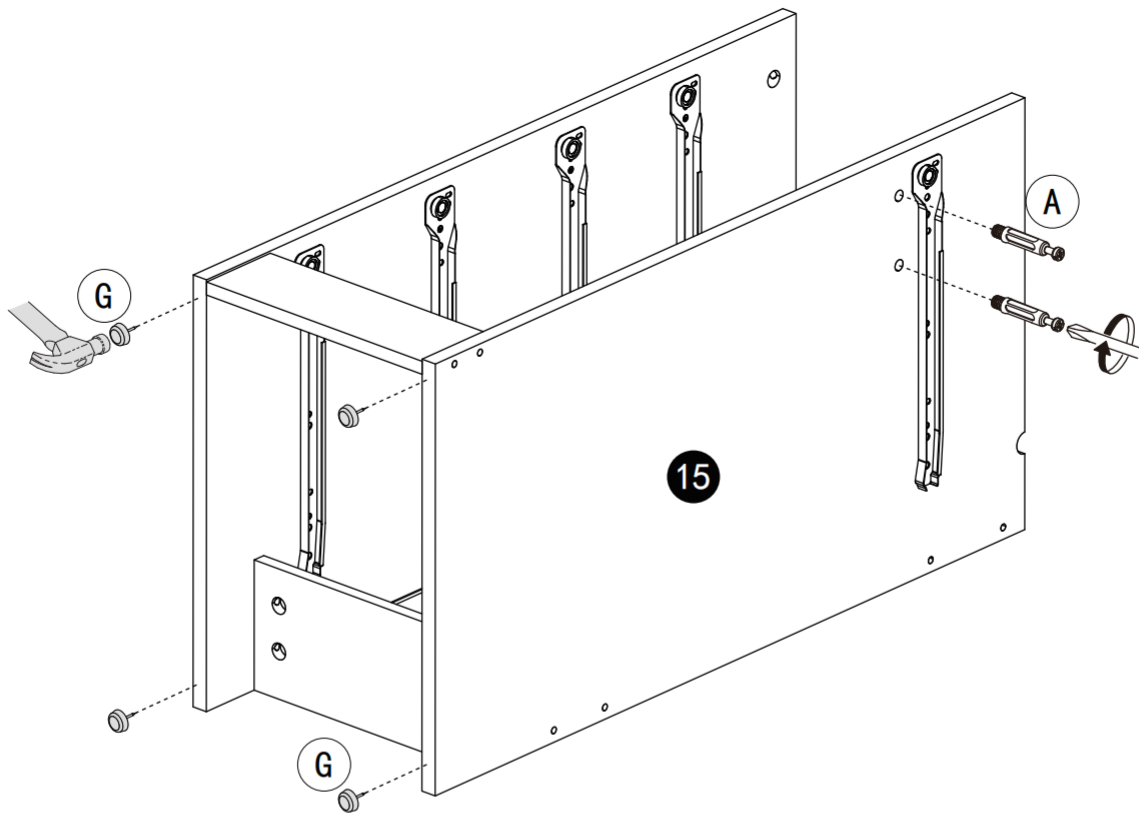
A		x2			
B		x2	F		x4


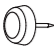


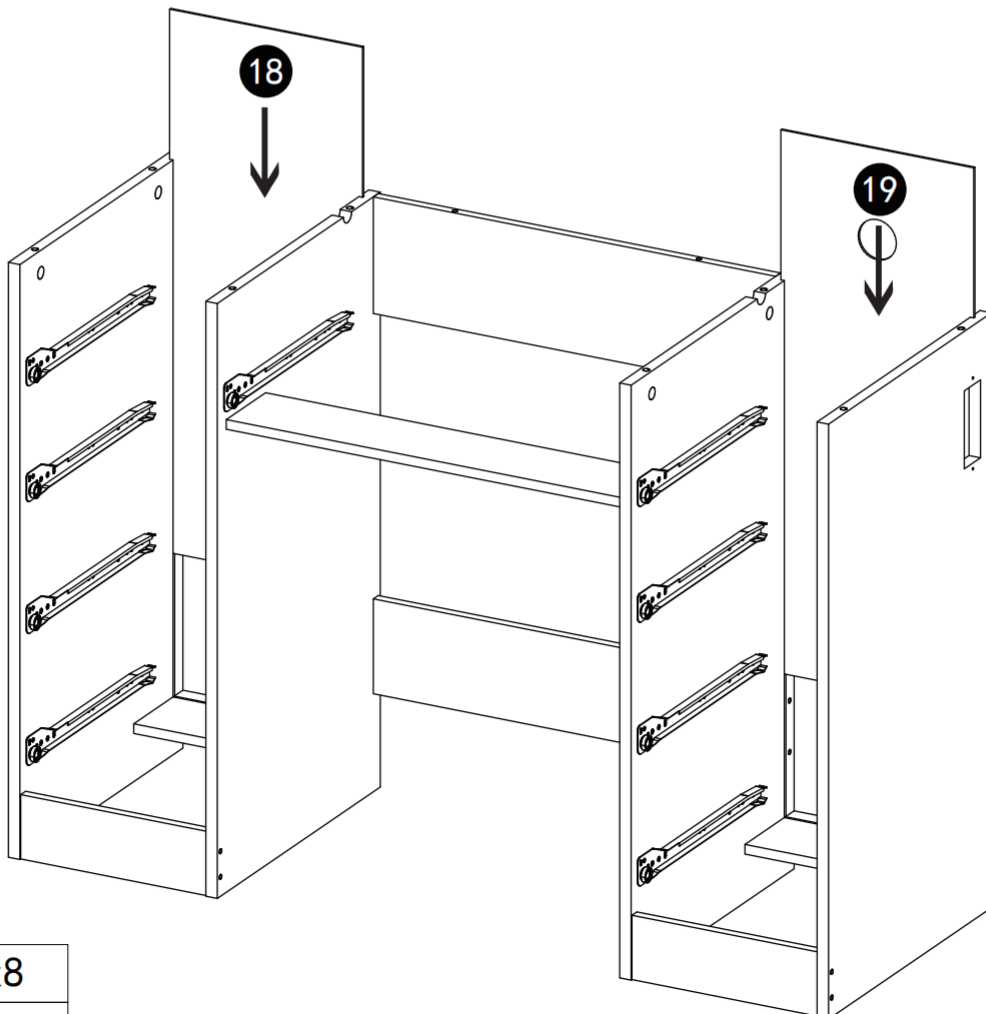
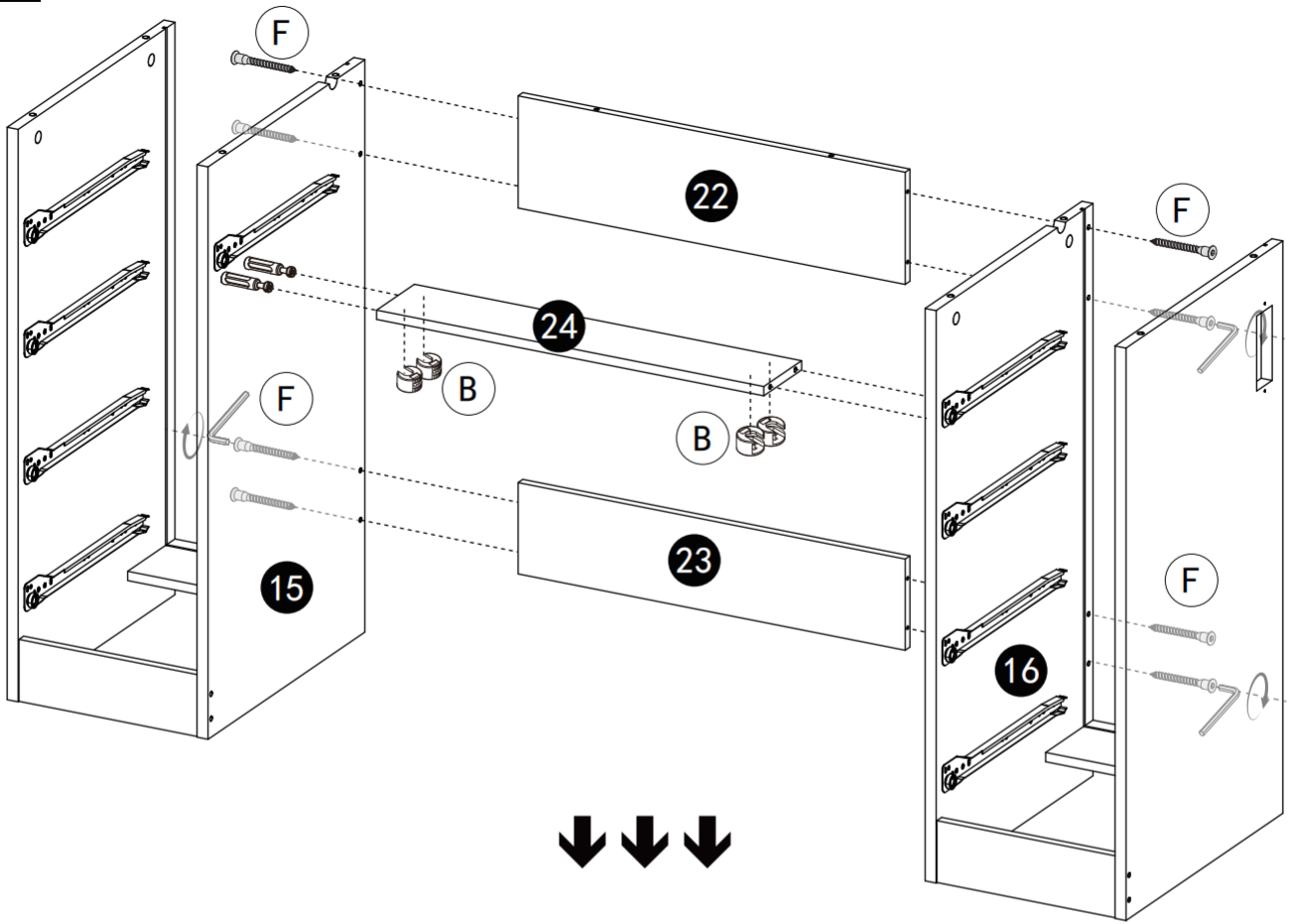
A		x2
B		x2





A		x2			
B		x2	F		x4



A		x4
G		x8



F		x8
B		x4

16



1

T

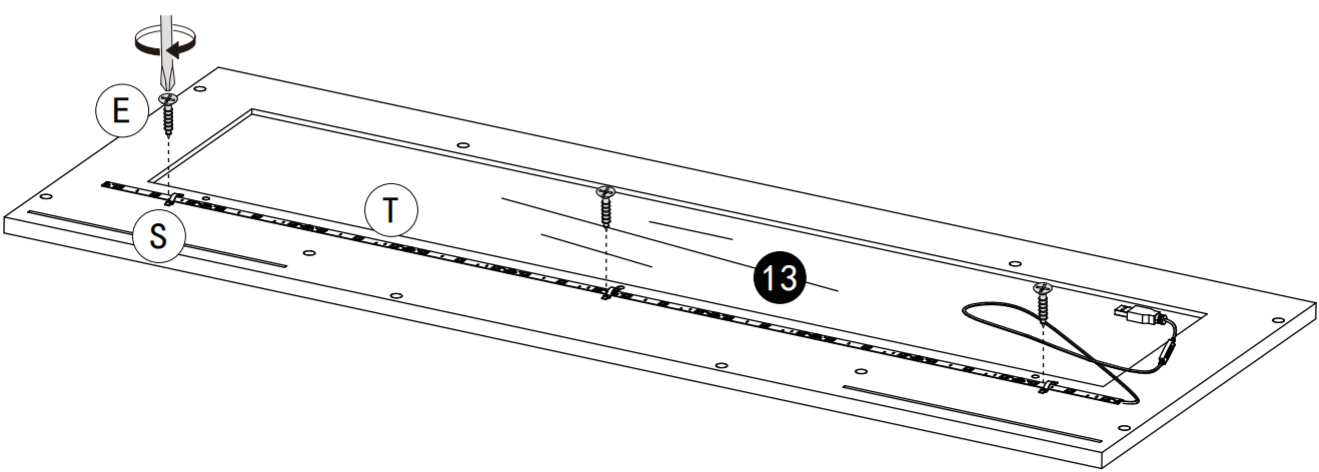
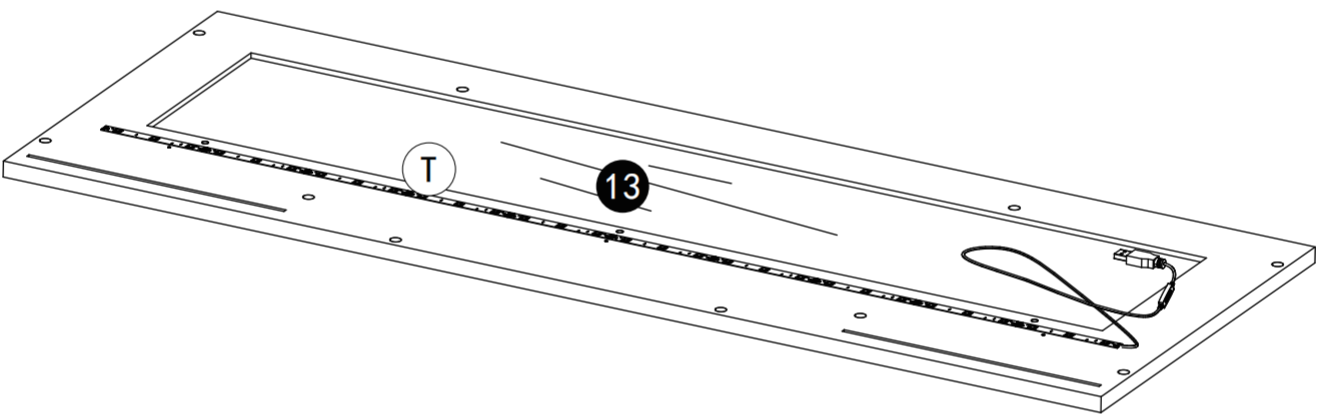
2

E

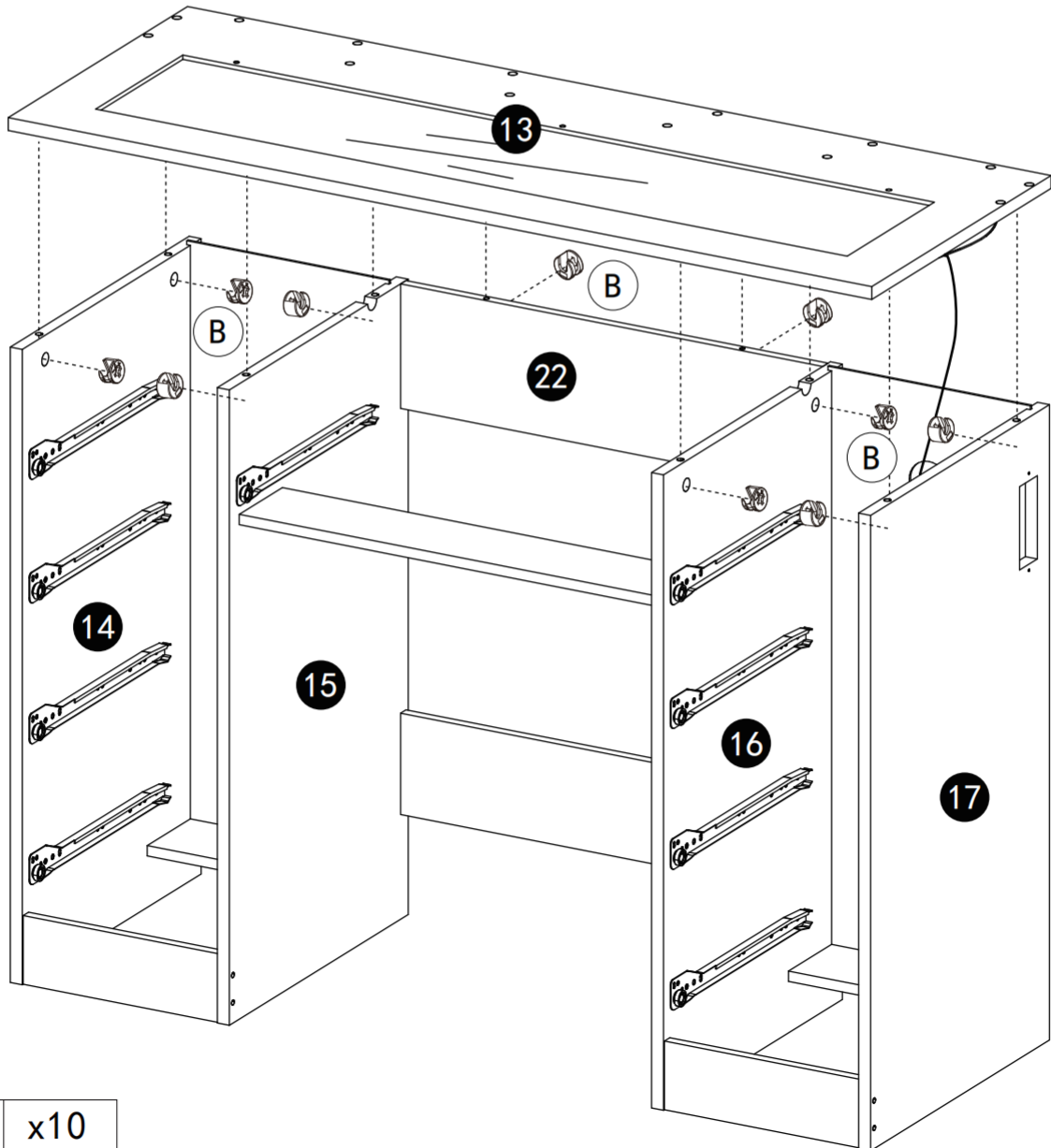
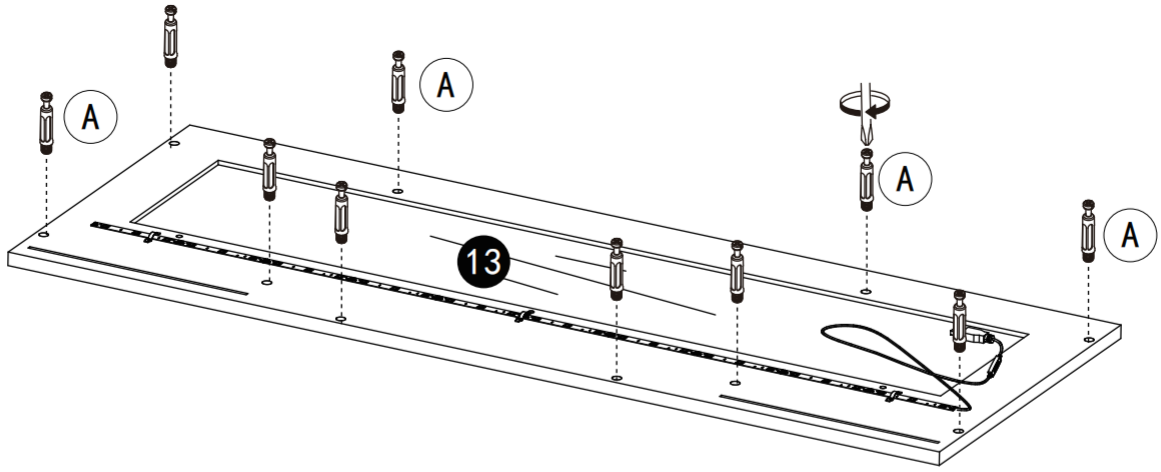
13



T

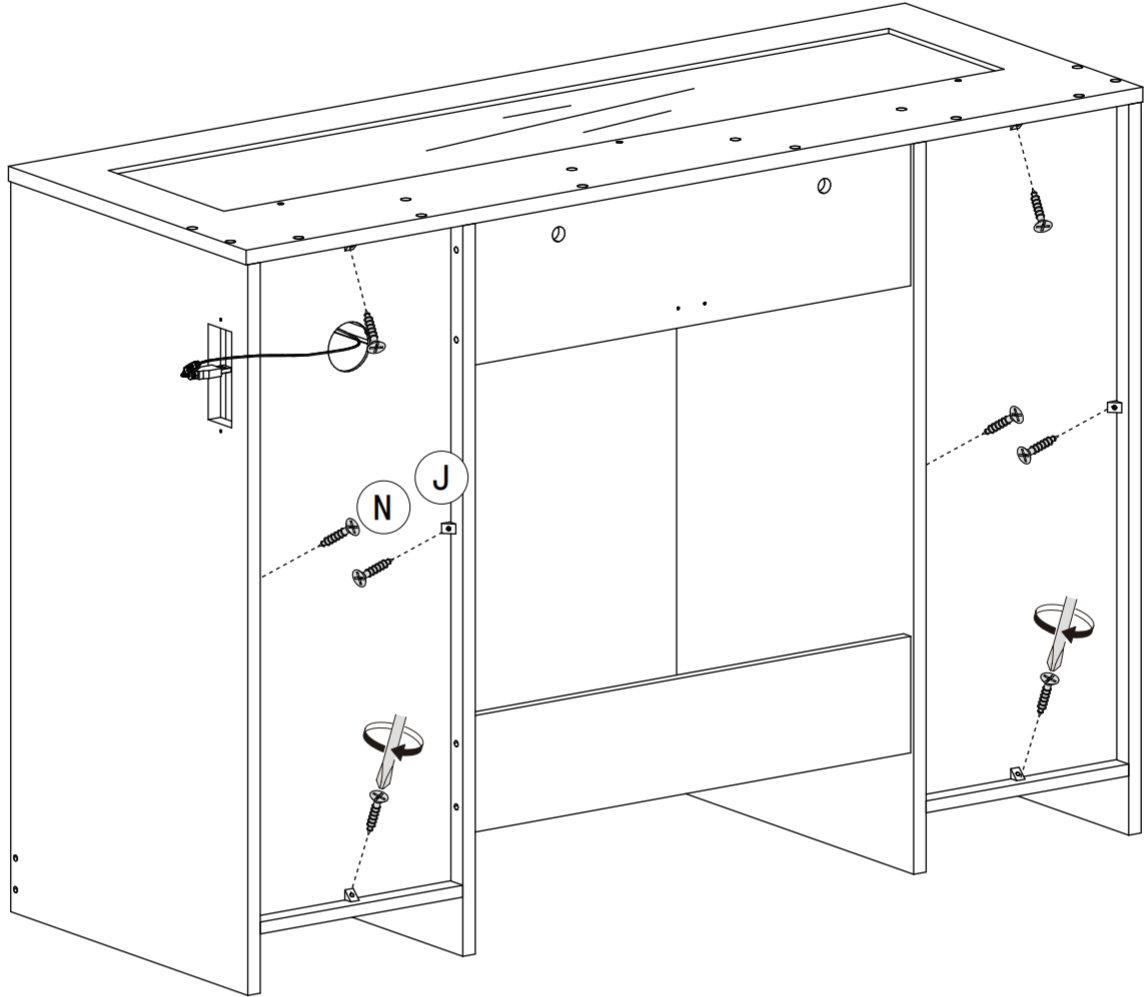
S





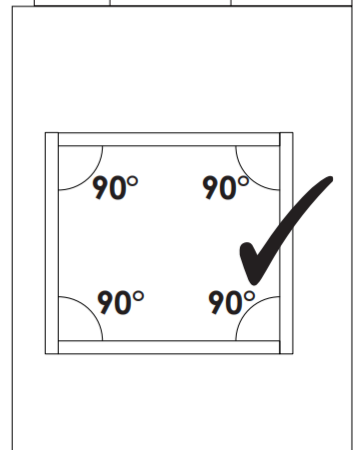
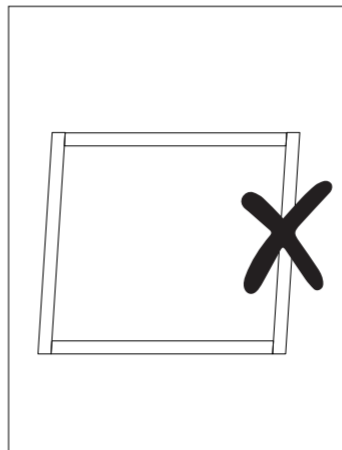
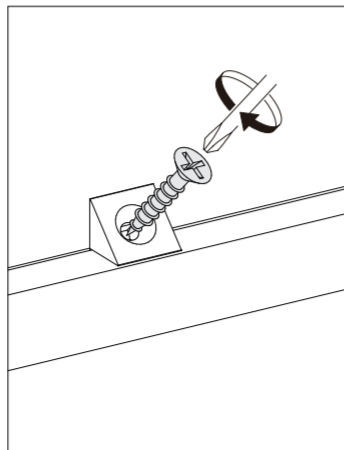
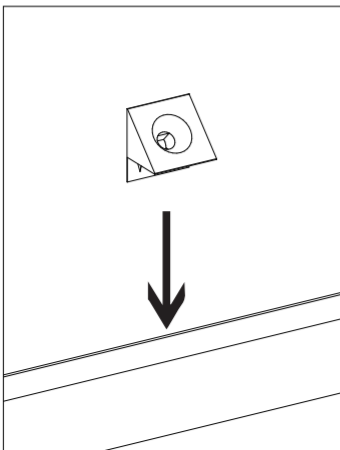
E		x3			
S		x3	T		x1

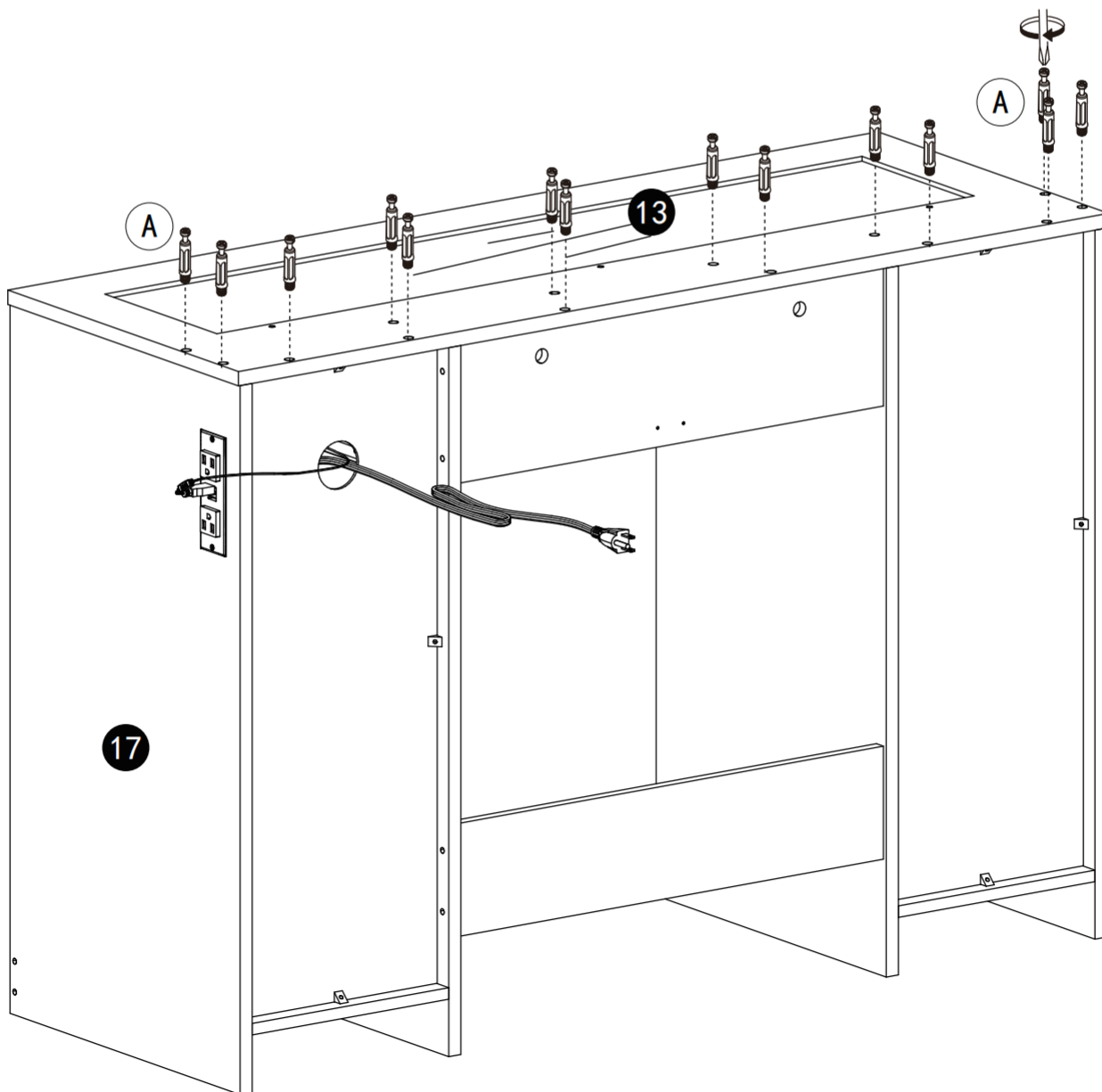
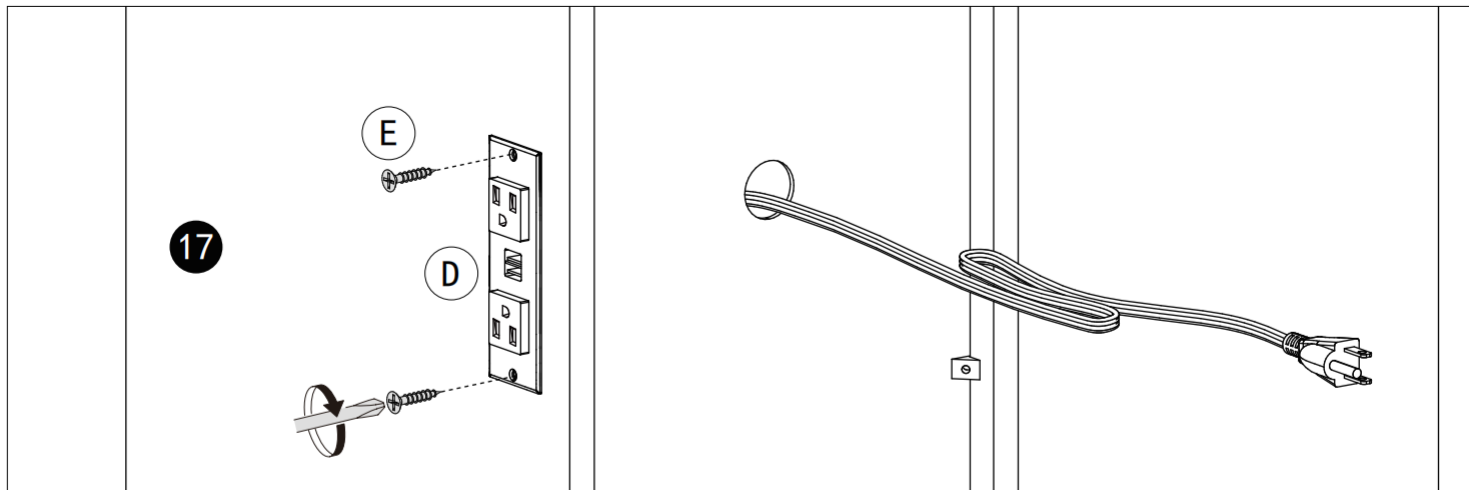





A		x10
B		x10

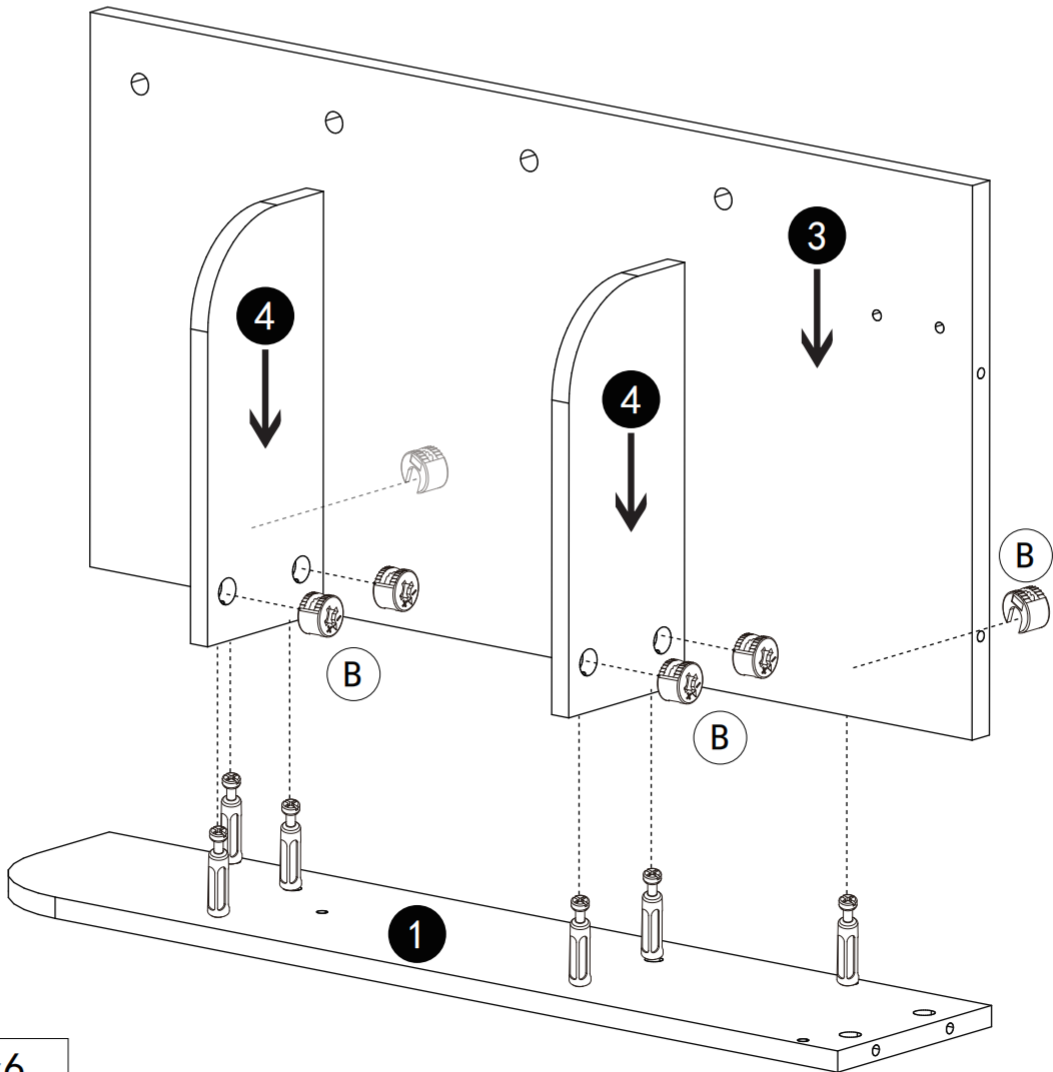
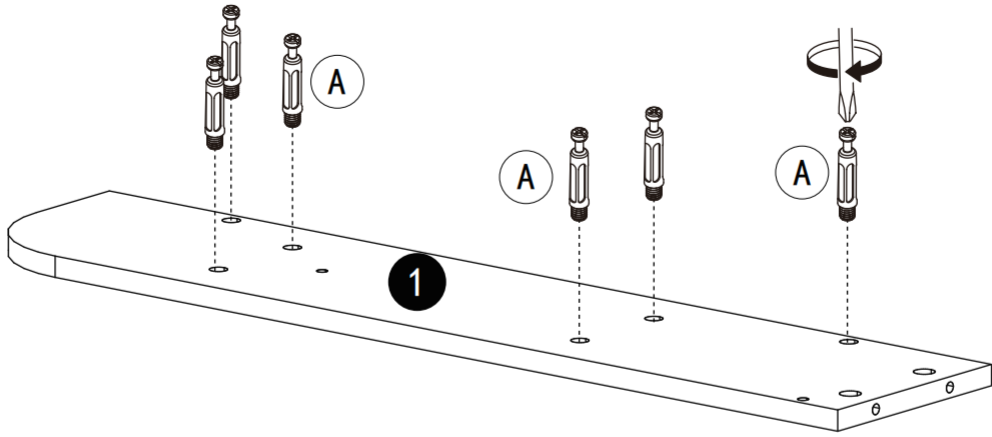


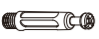

J		x8
N		x8

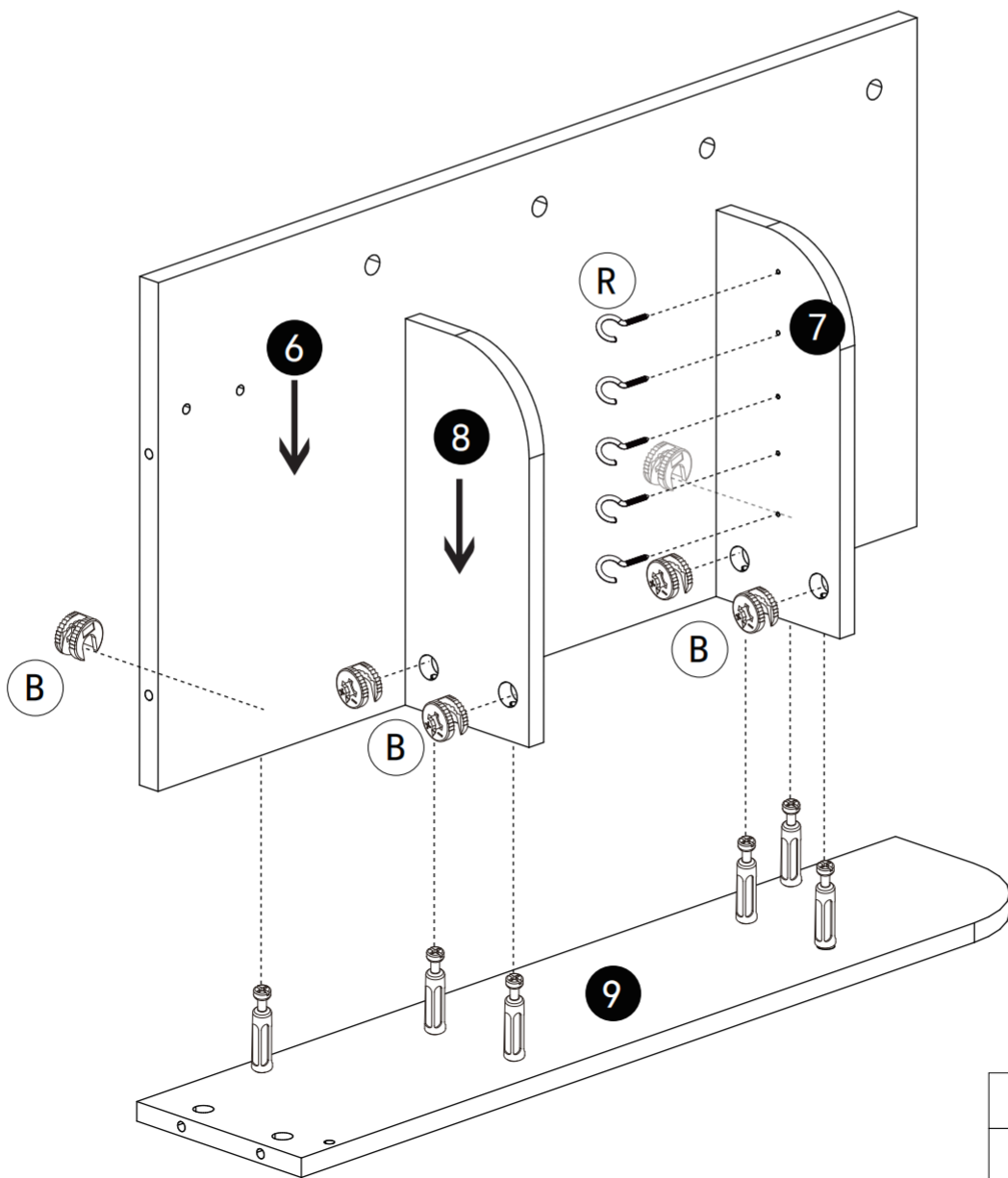
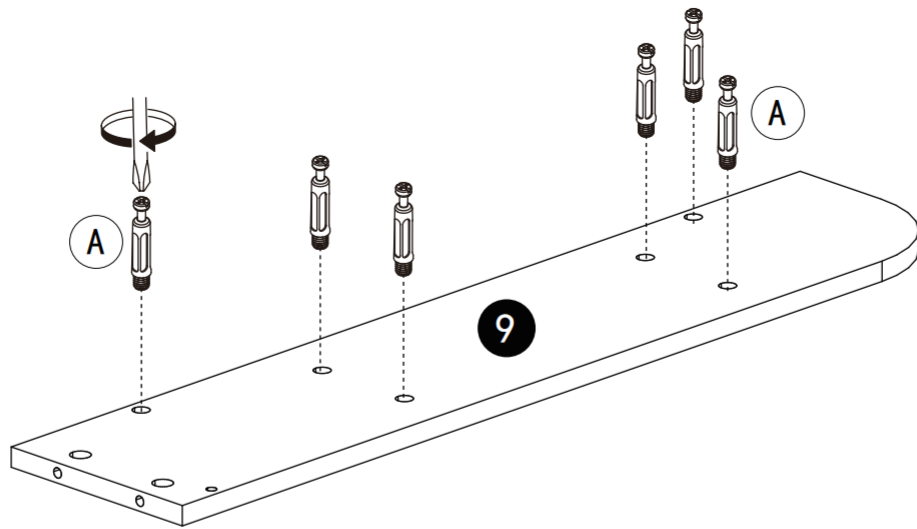







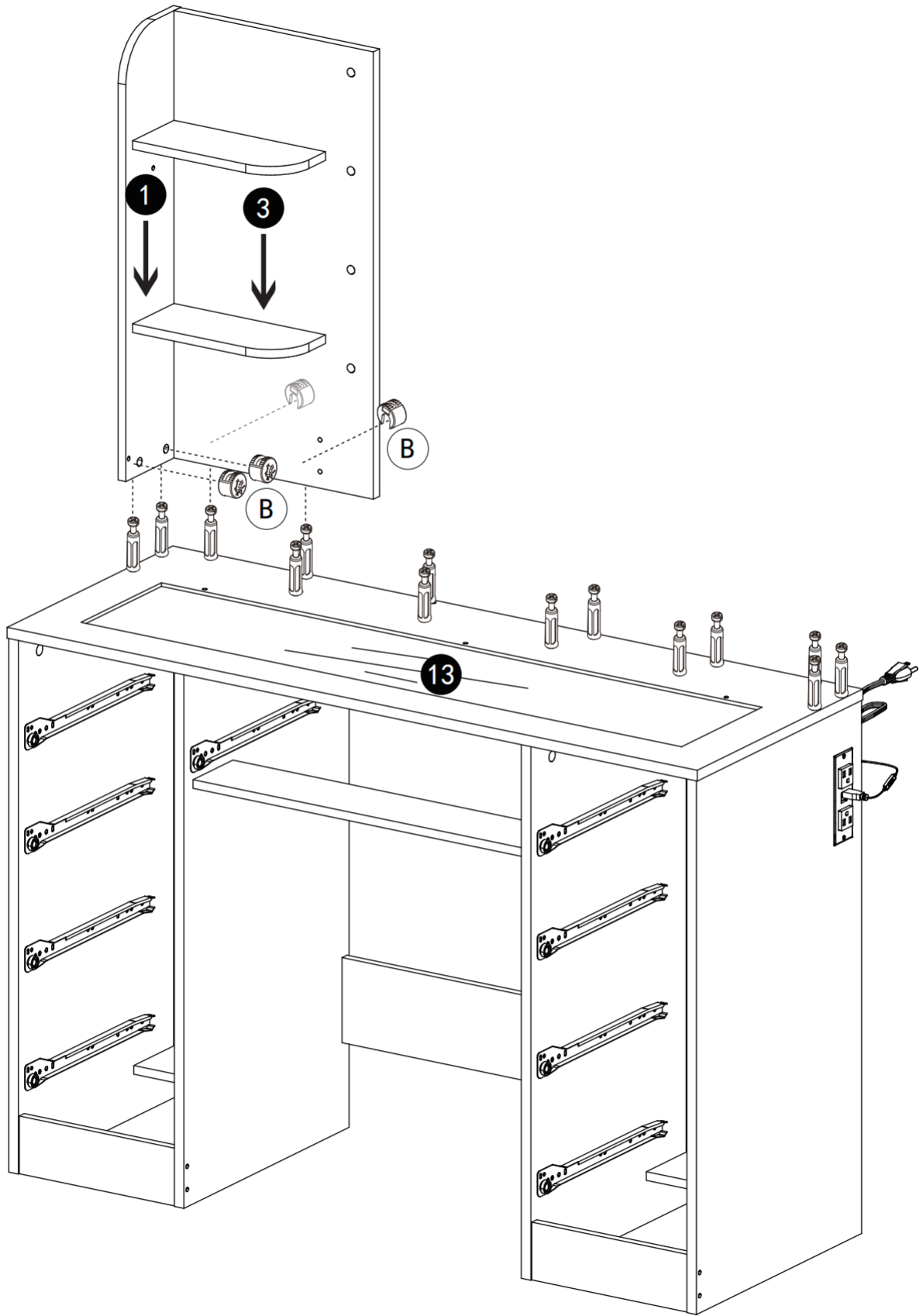
A		x14
E		x2
D		x1



A		x6
B		x6



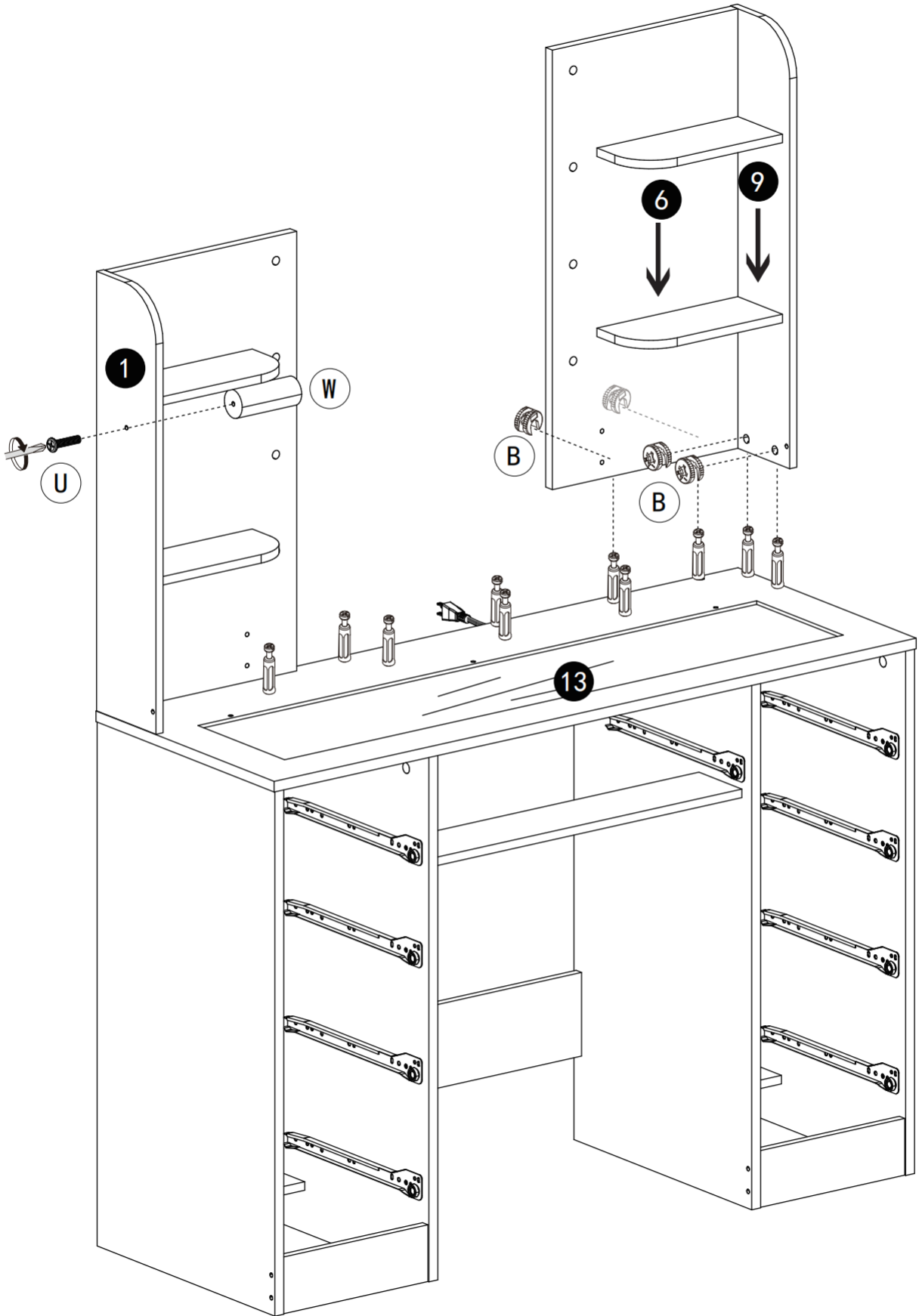
A		x6
B		x6
R		x5



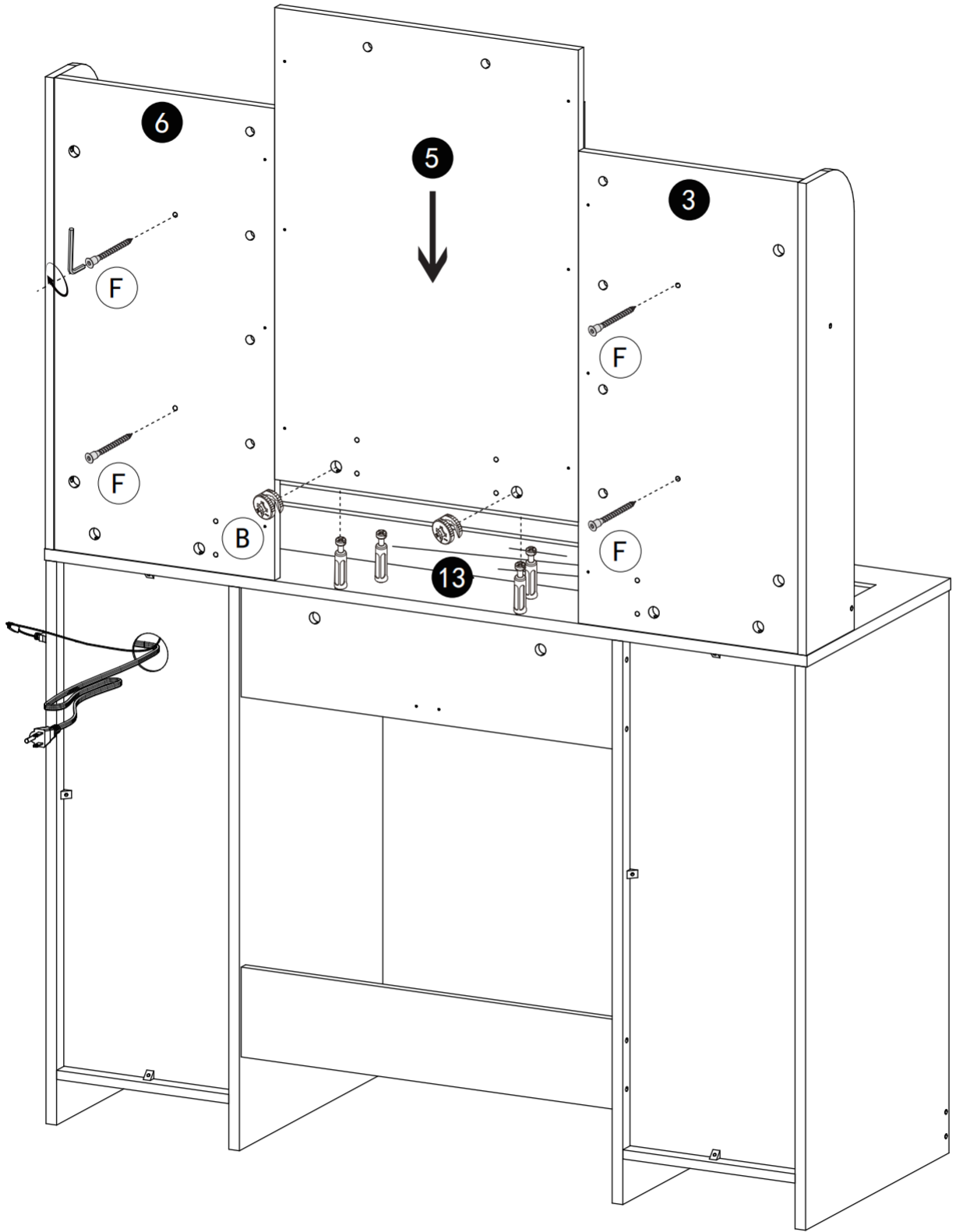
B





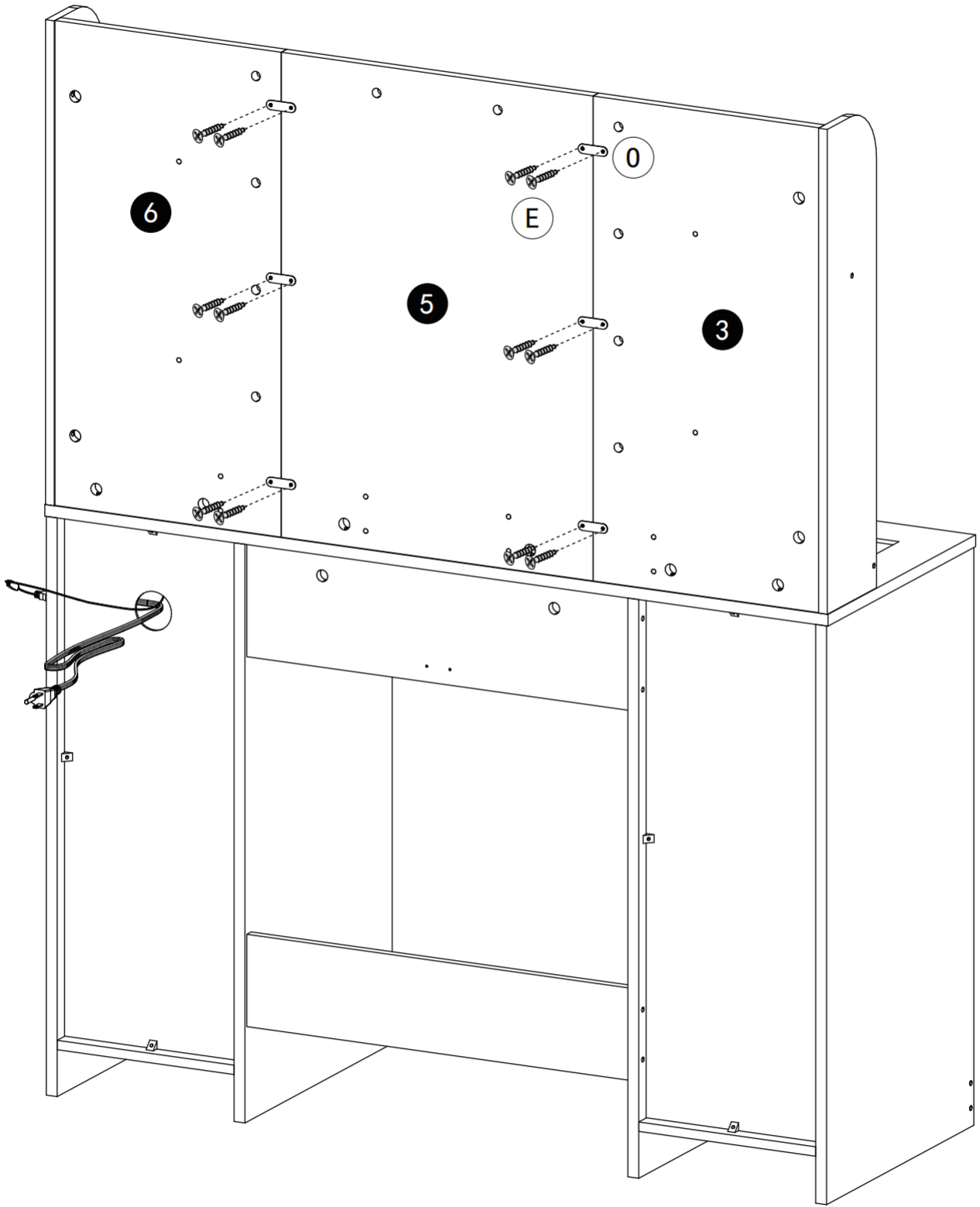
x4


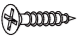


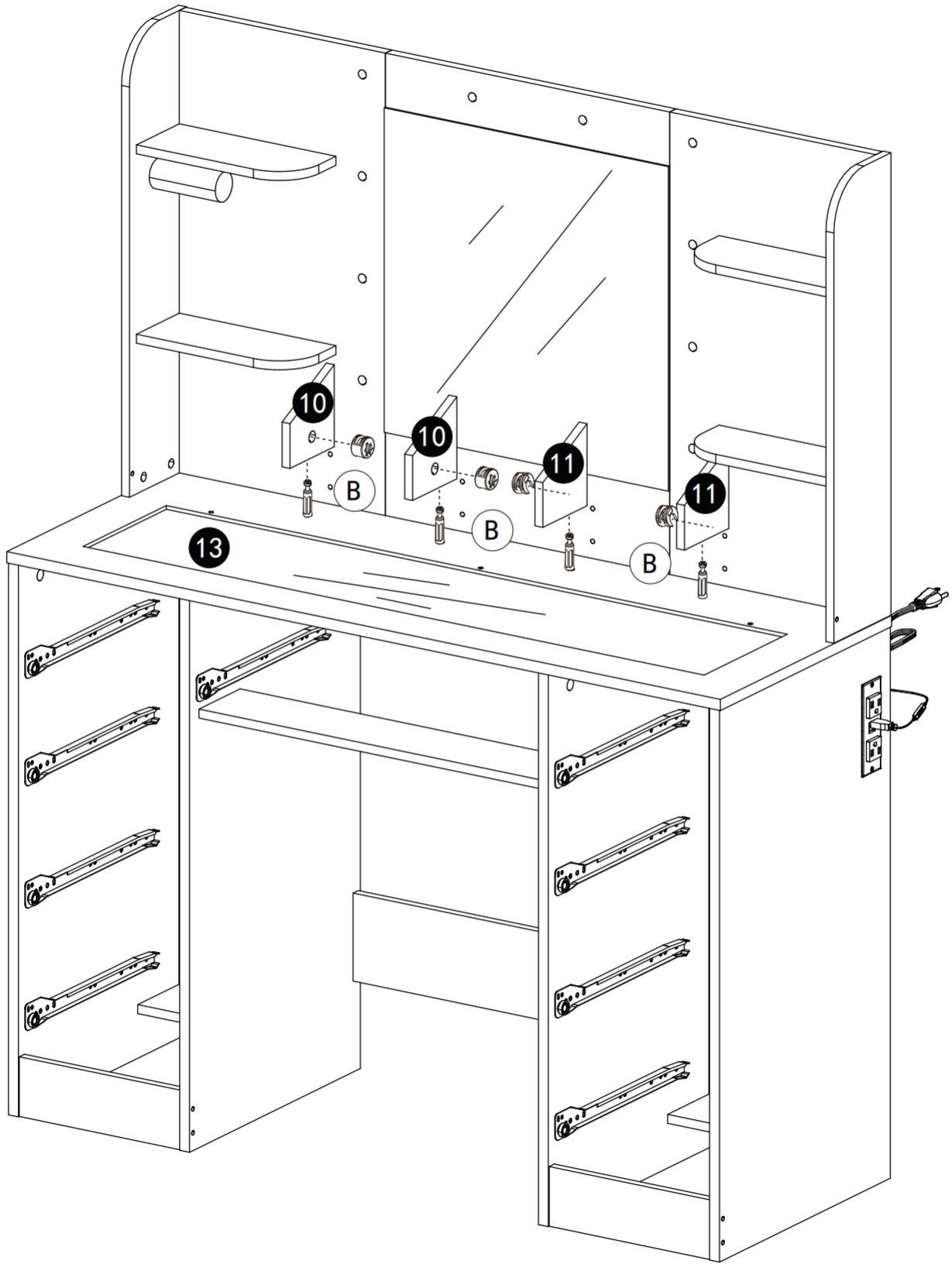
W		x1	U		x1	B		x4
---	---	----	---	---	----	---	---	----



B		x2	F		x4
---	---	----	---	---	----



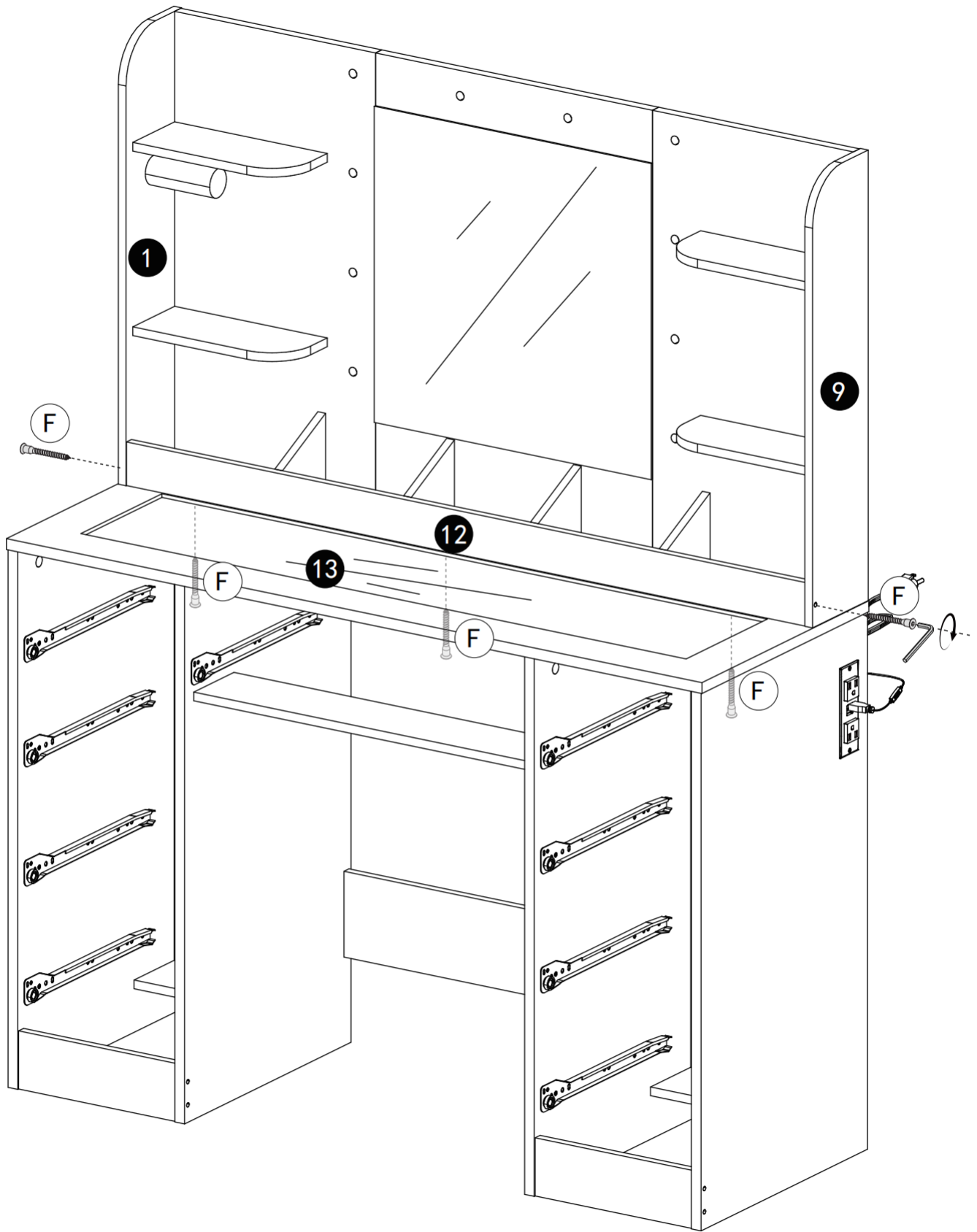
0		x6
E		x12




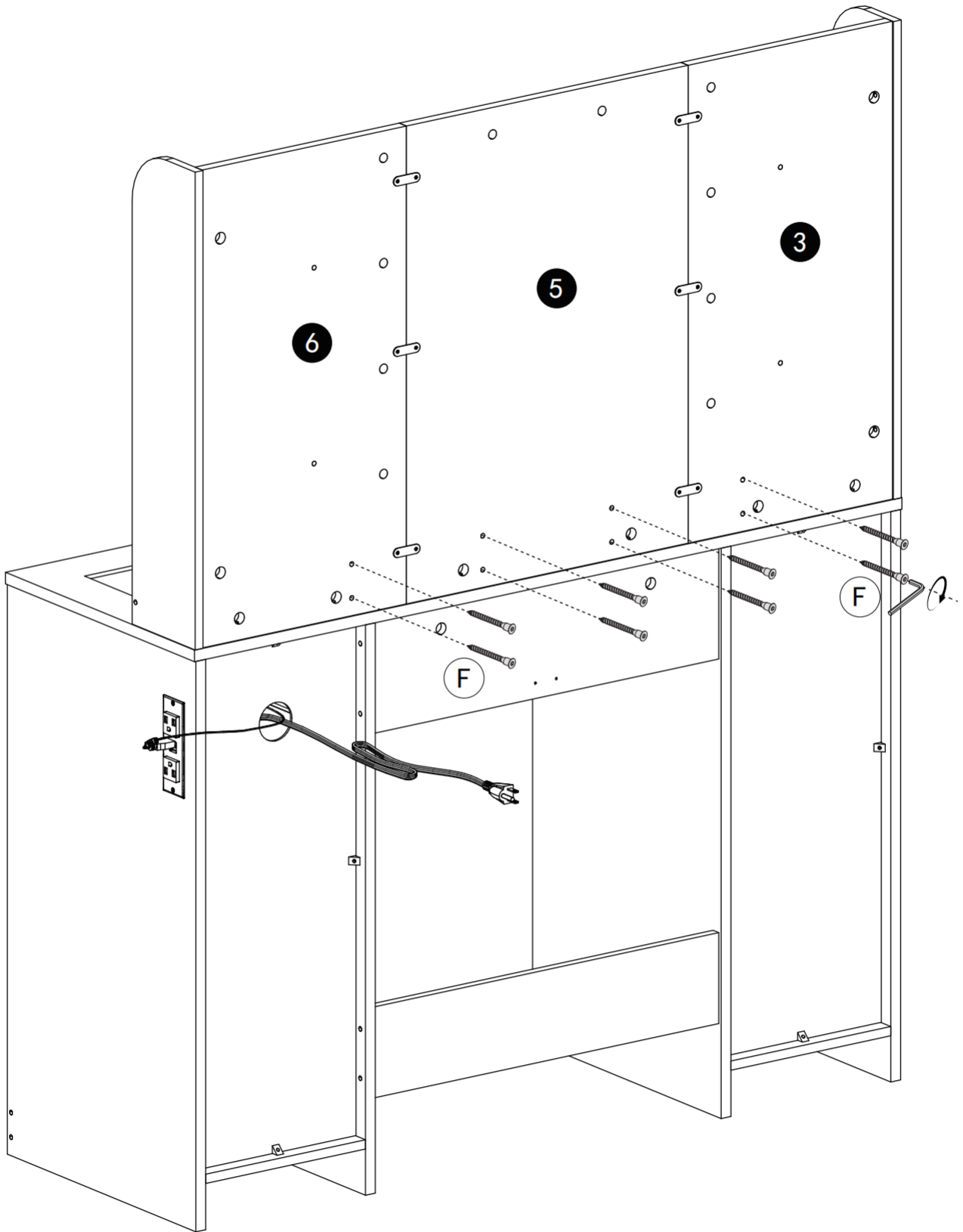
B




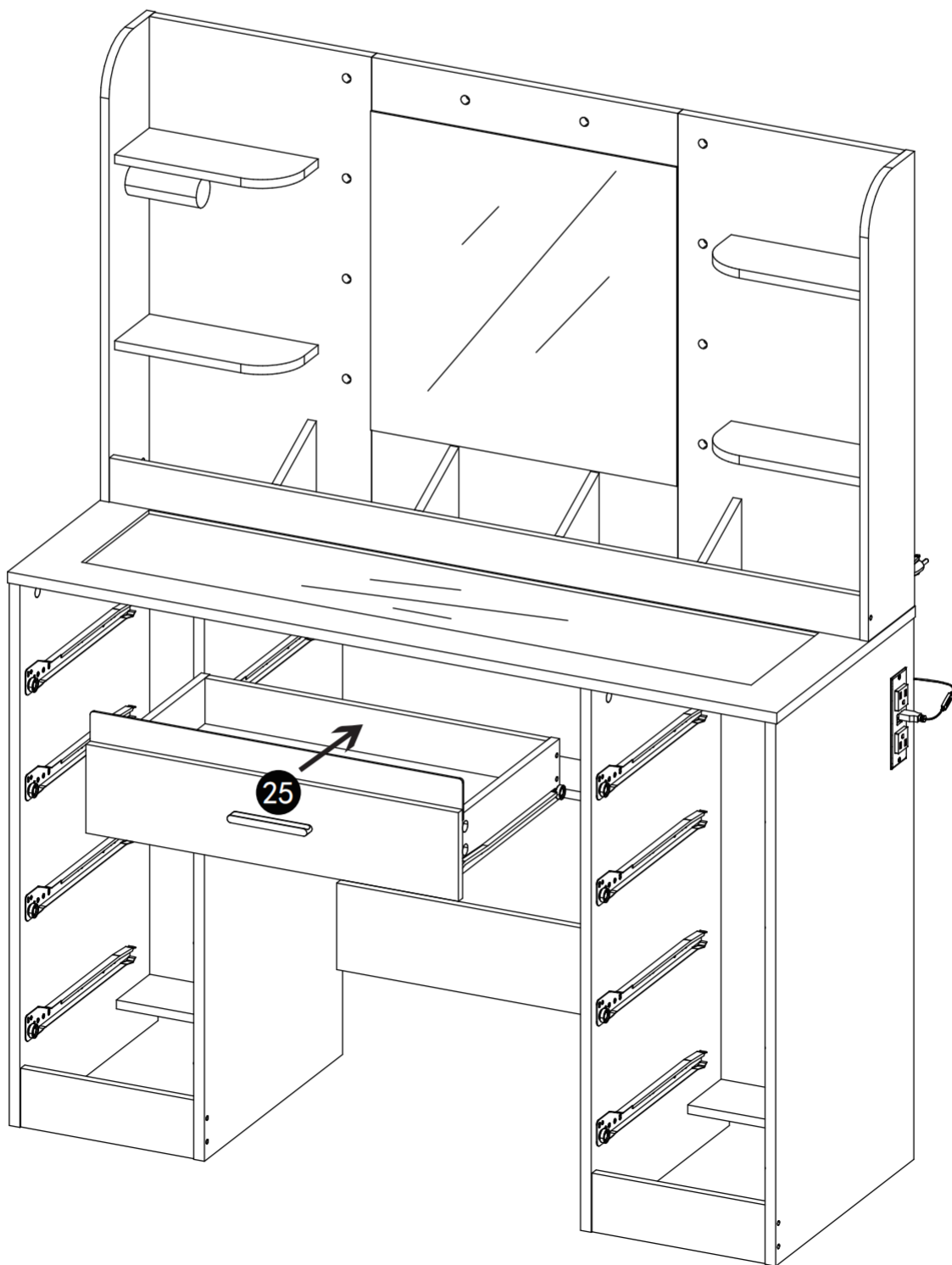
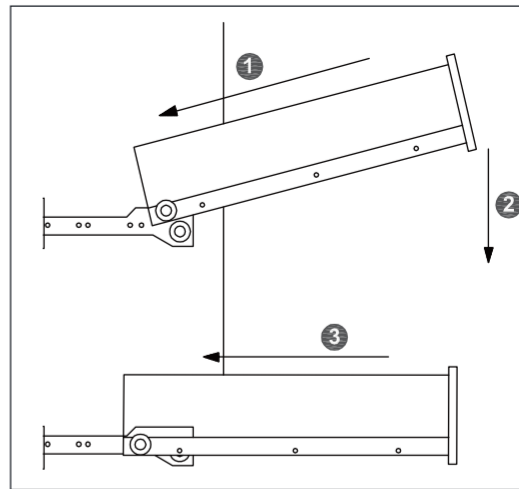
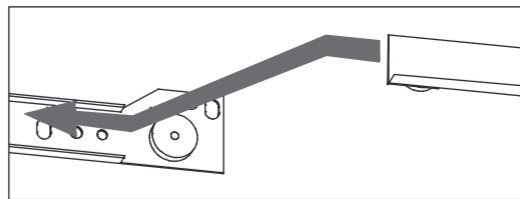
x4

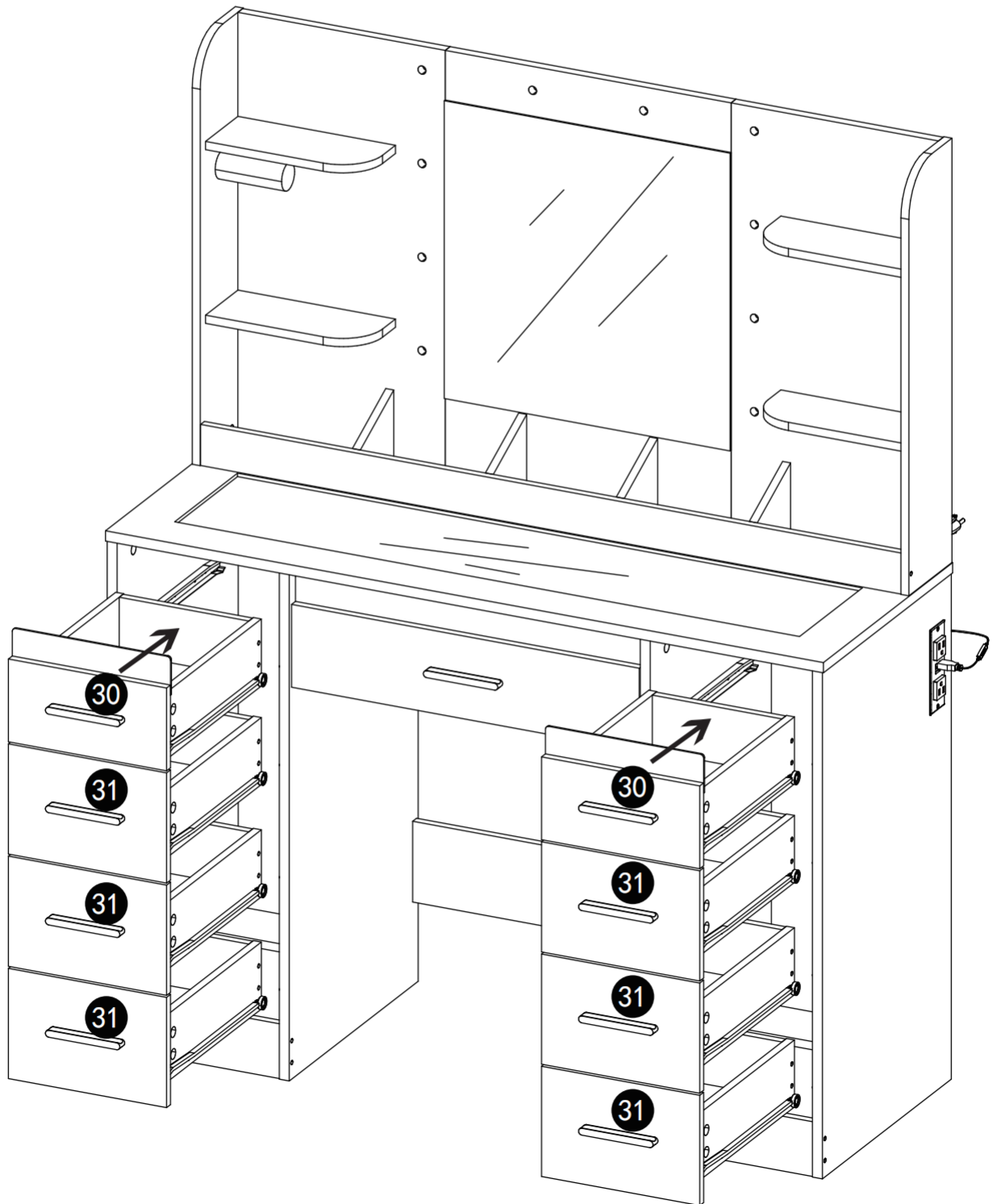
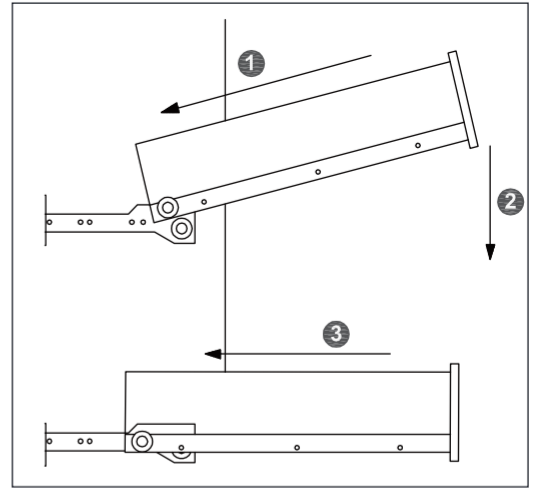
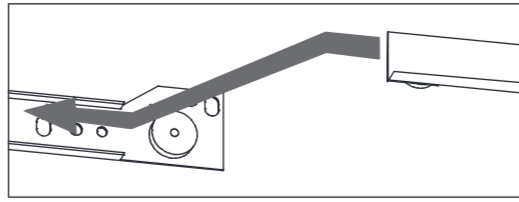


F		x5
---	---	----



F		x8
---	---	----

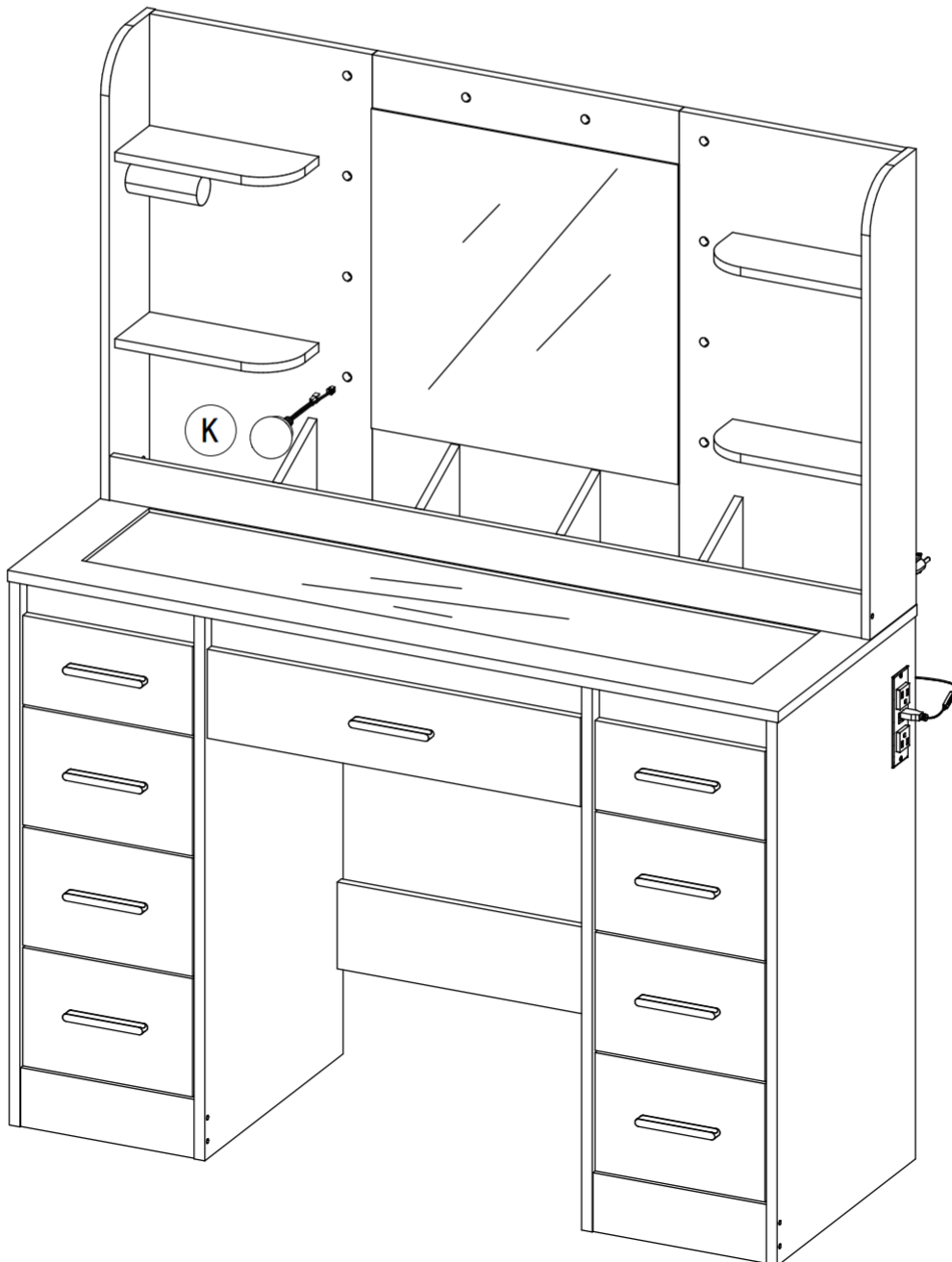
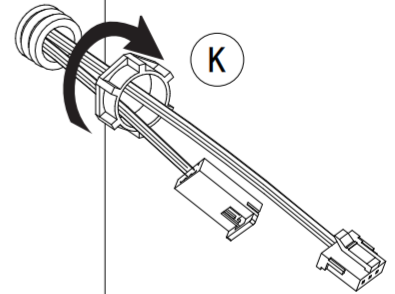
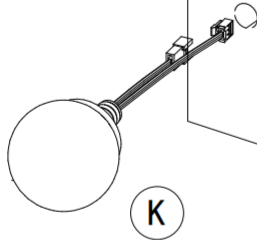


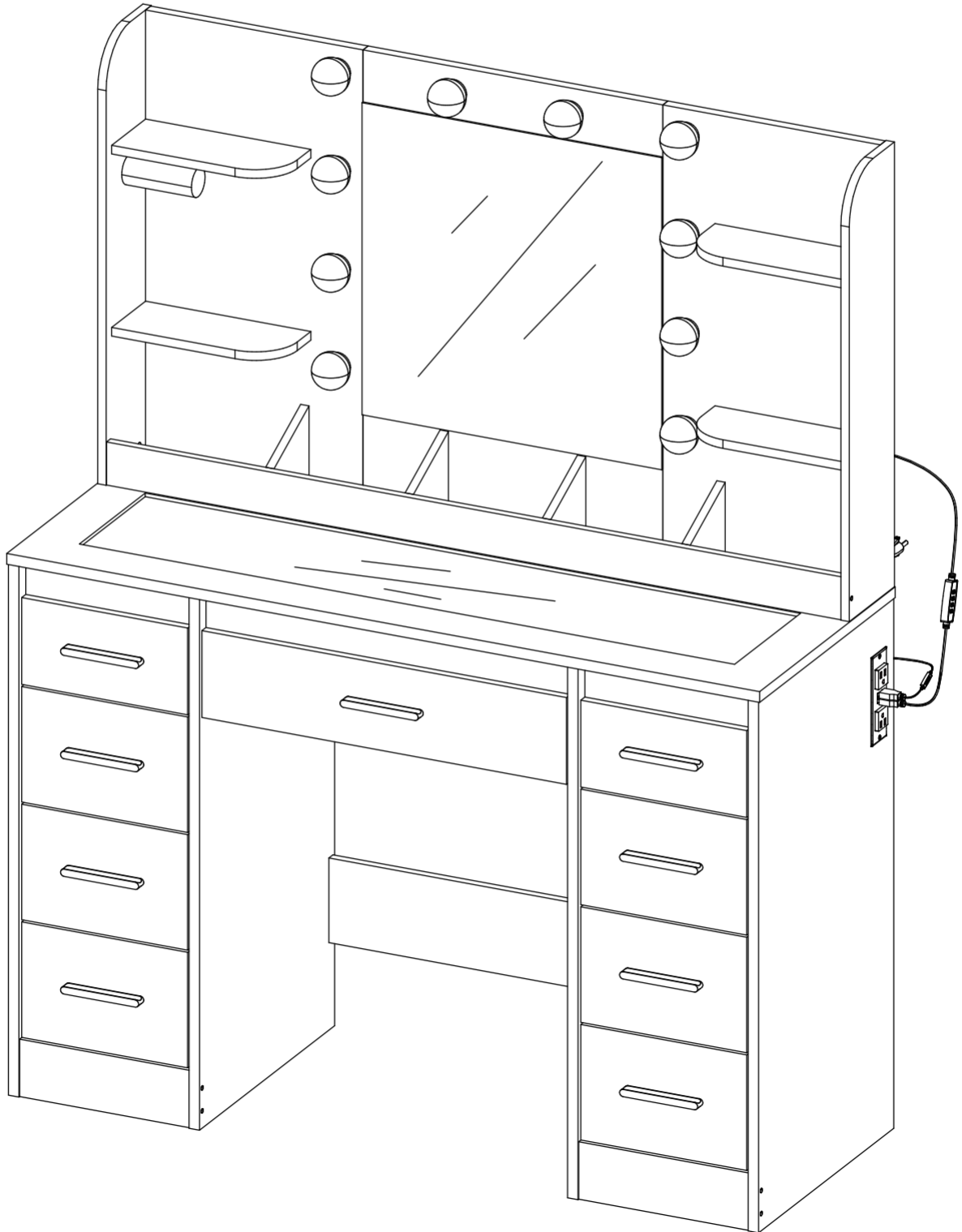
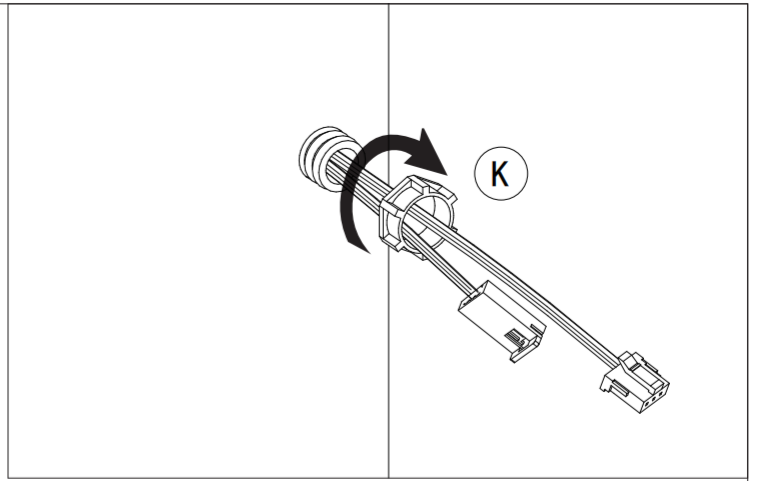
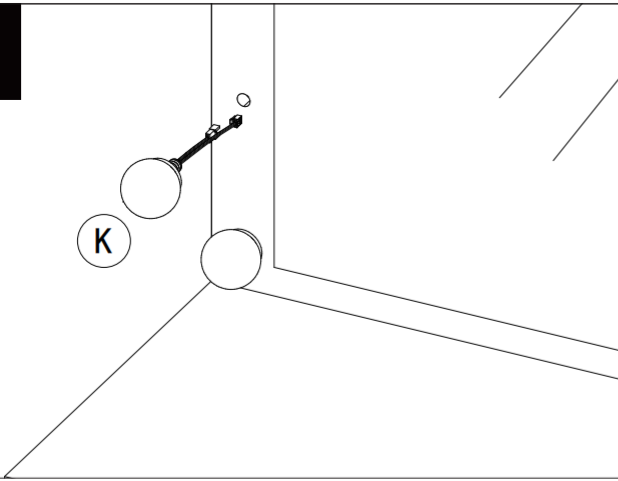




x10 PC

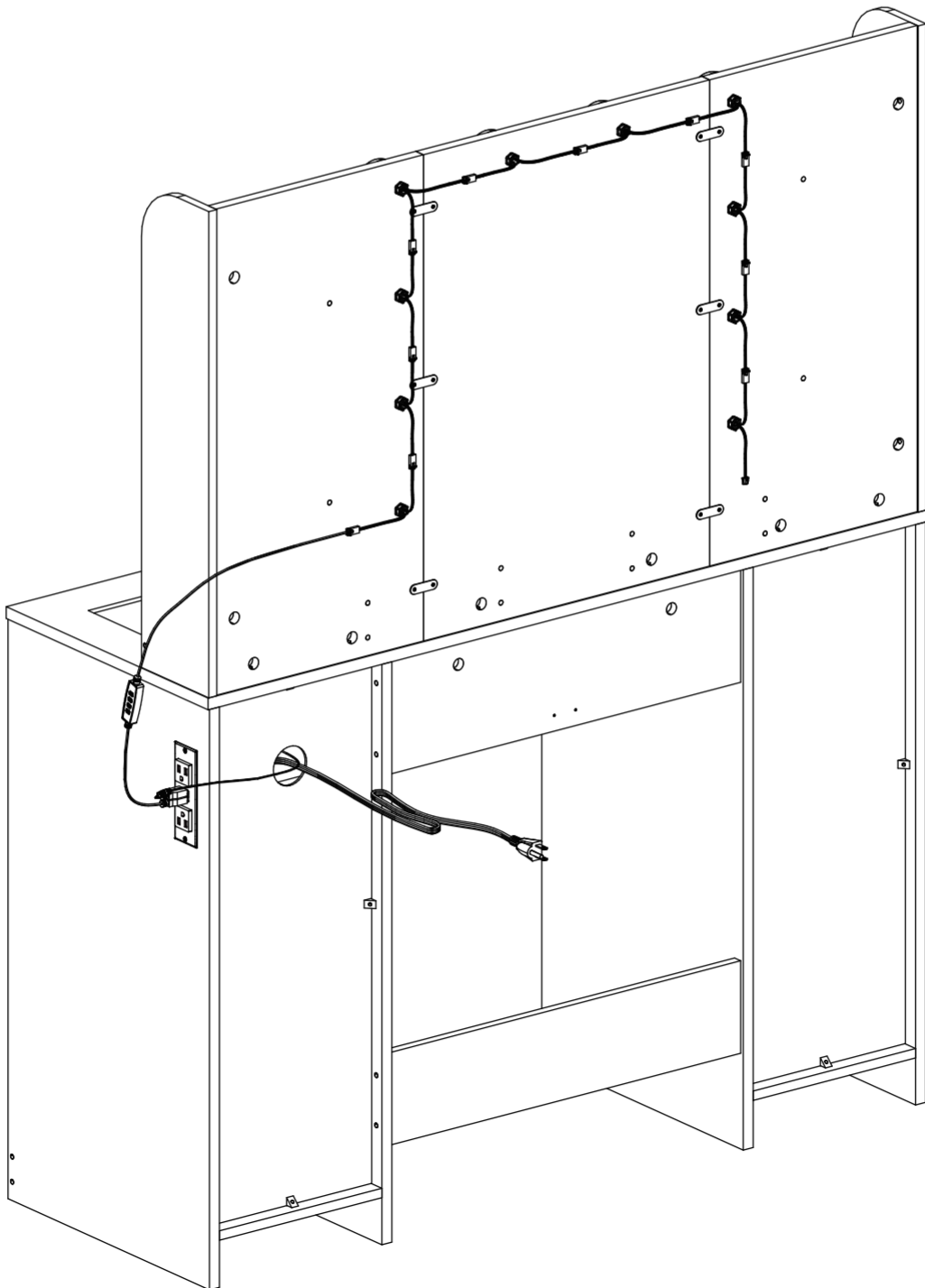
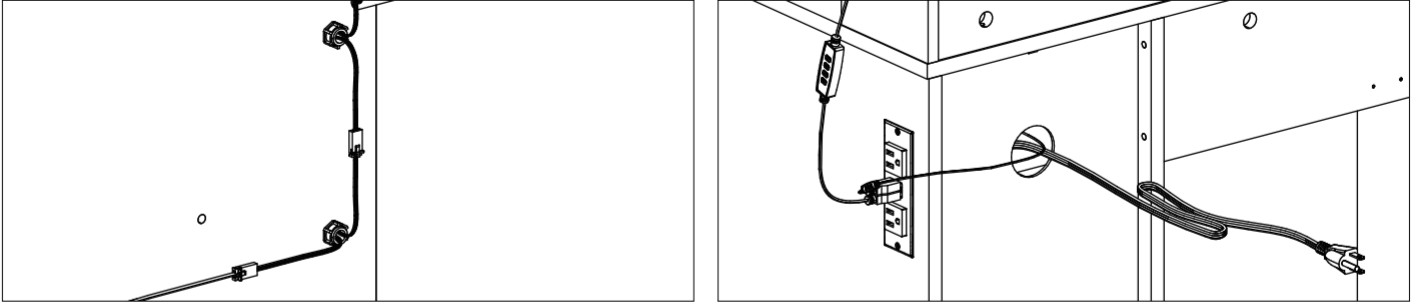
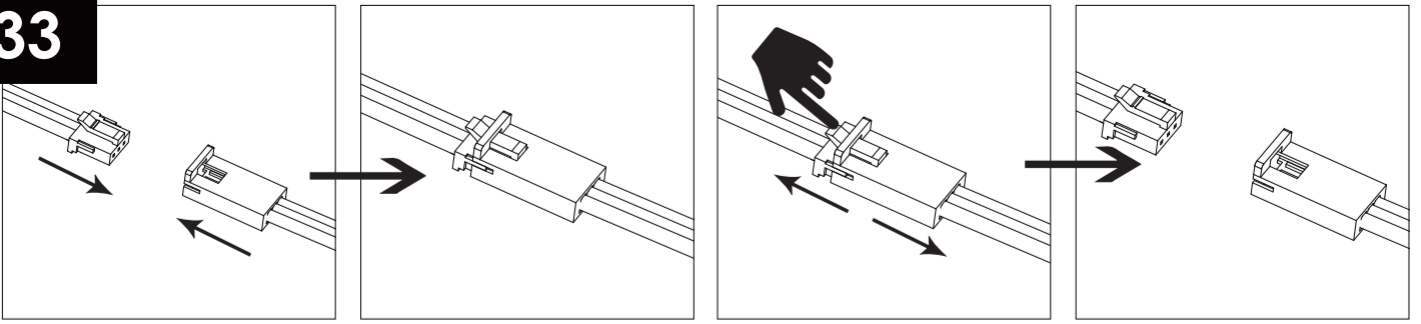
Install the
middle bulbs
(10 pcs)





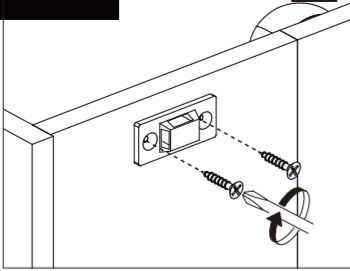
K		x1
---	--	----

33

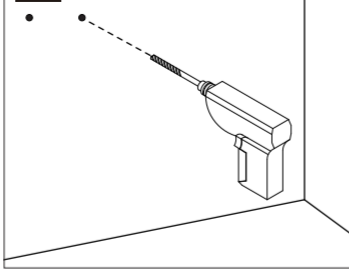


34

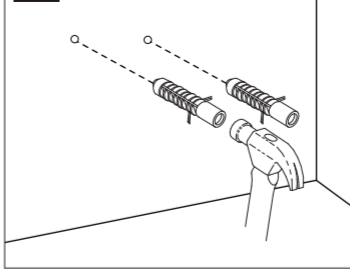
1



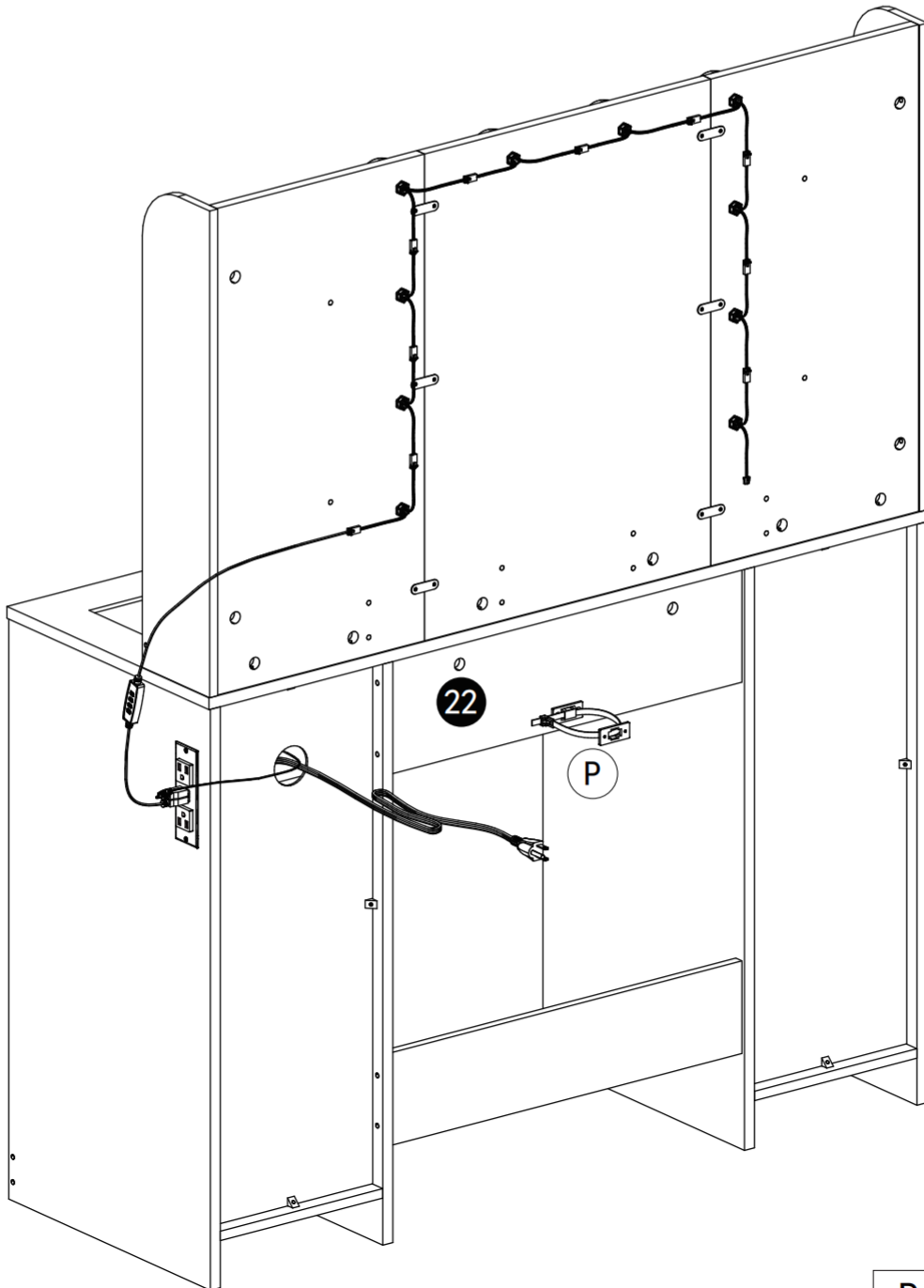
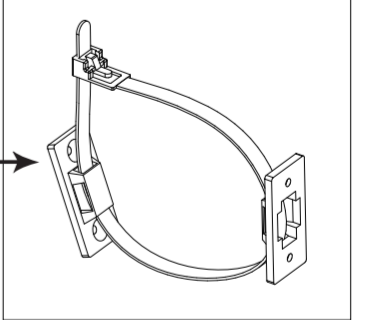
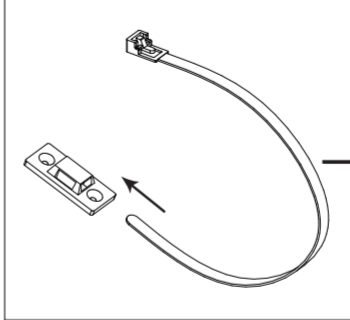
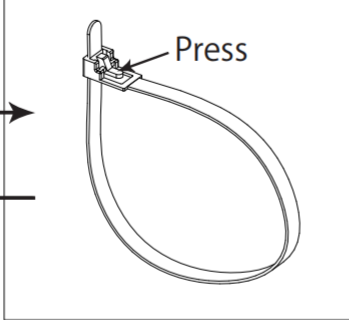
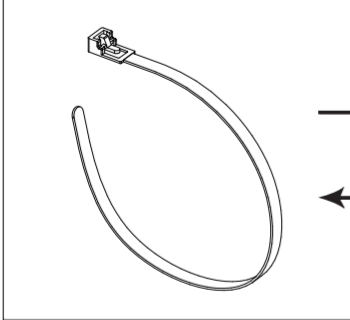
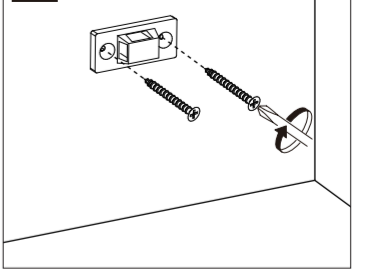
2



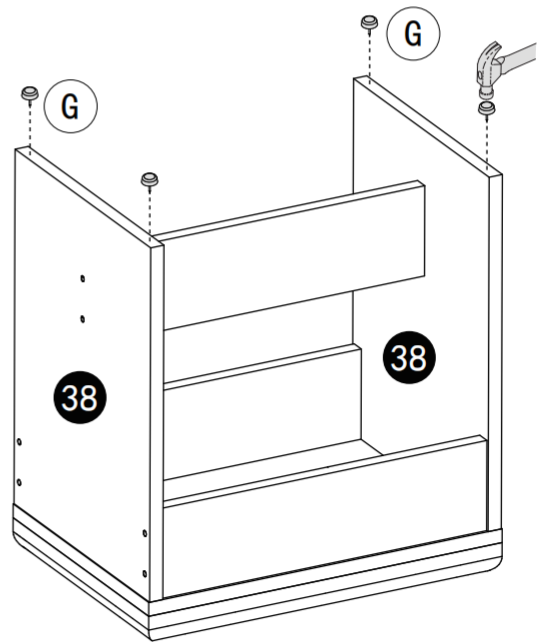
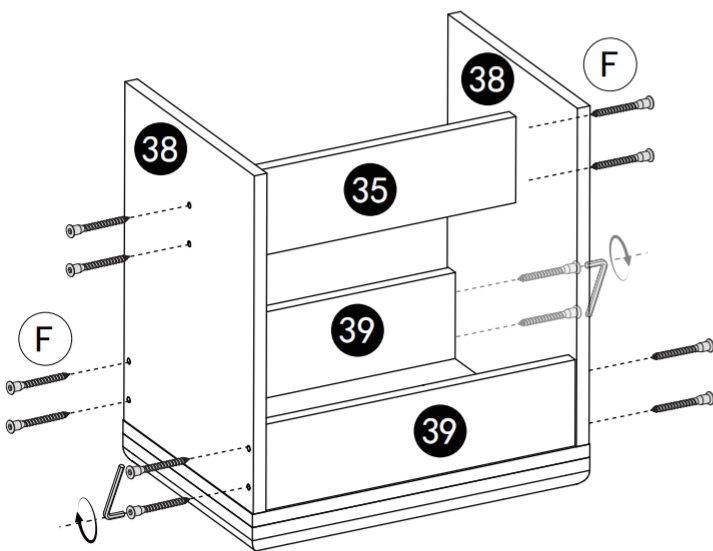
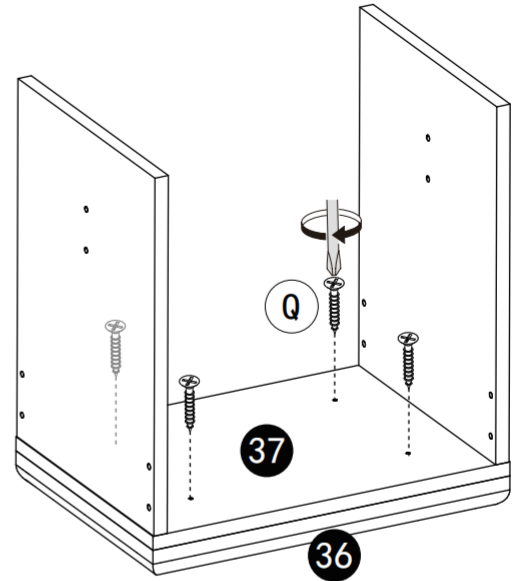
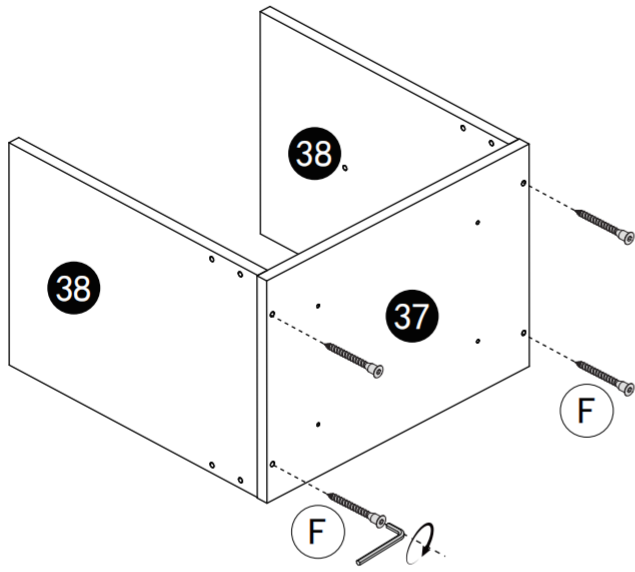
3

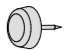




4



P  x1

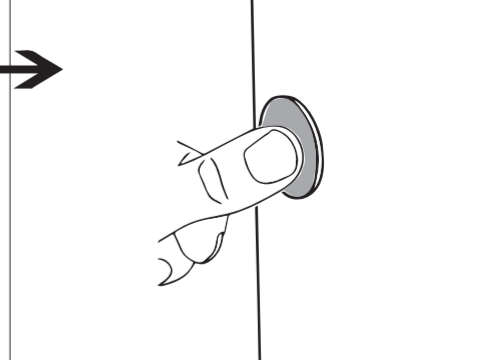
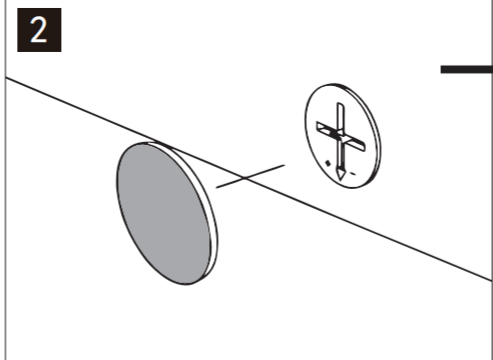
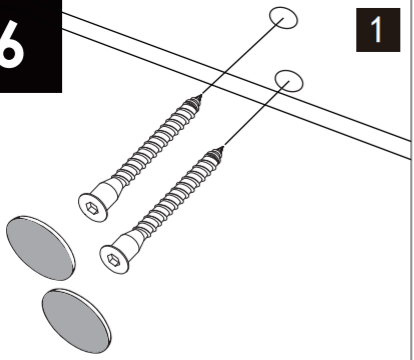


	G		x4
Q			x4
	F		x16

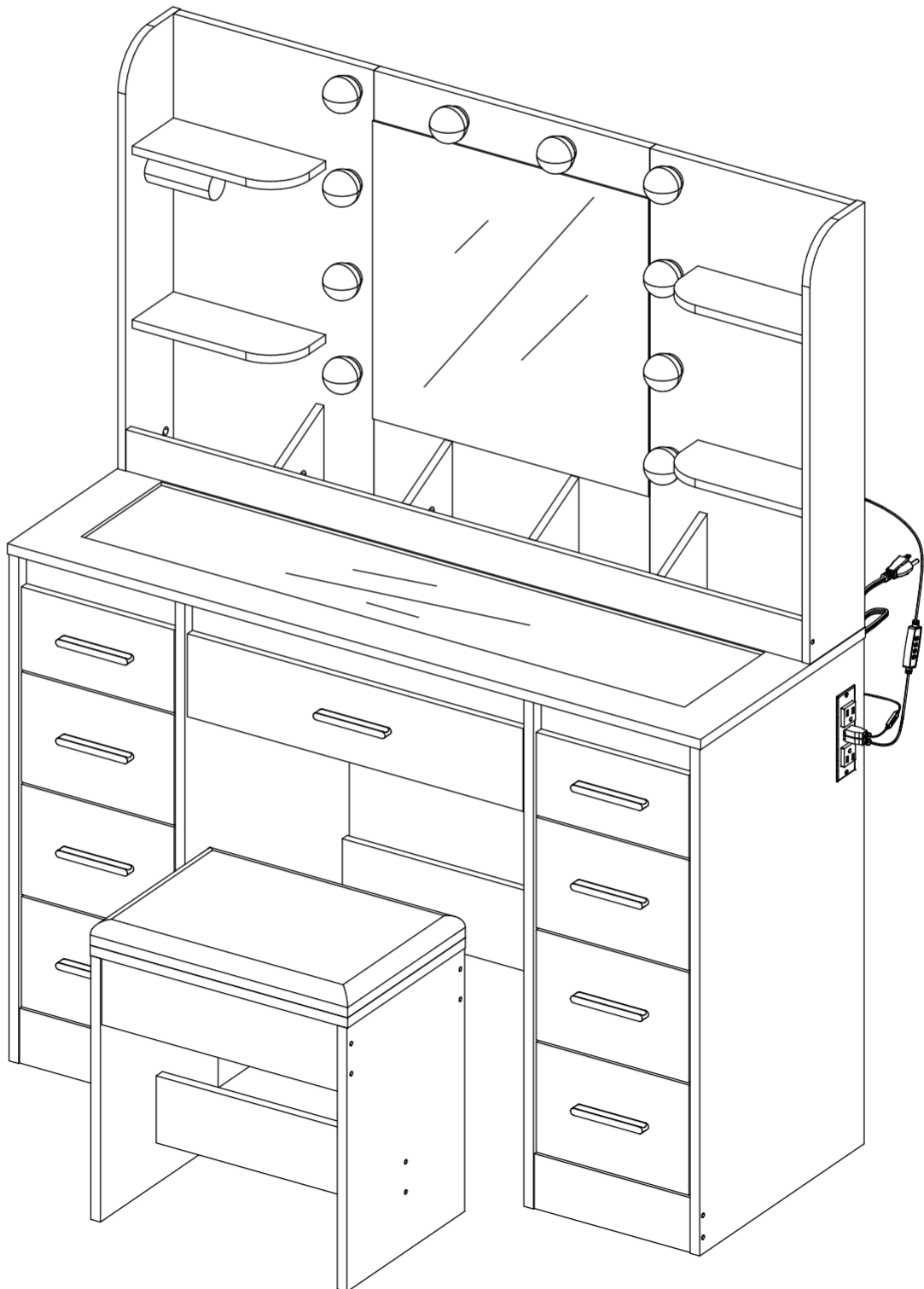
36

1

2



Add L fittings to all exposed holes on the front of the product



L



x20