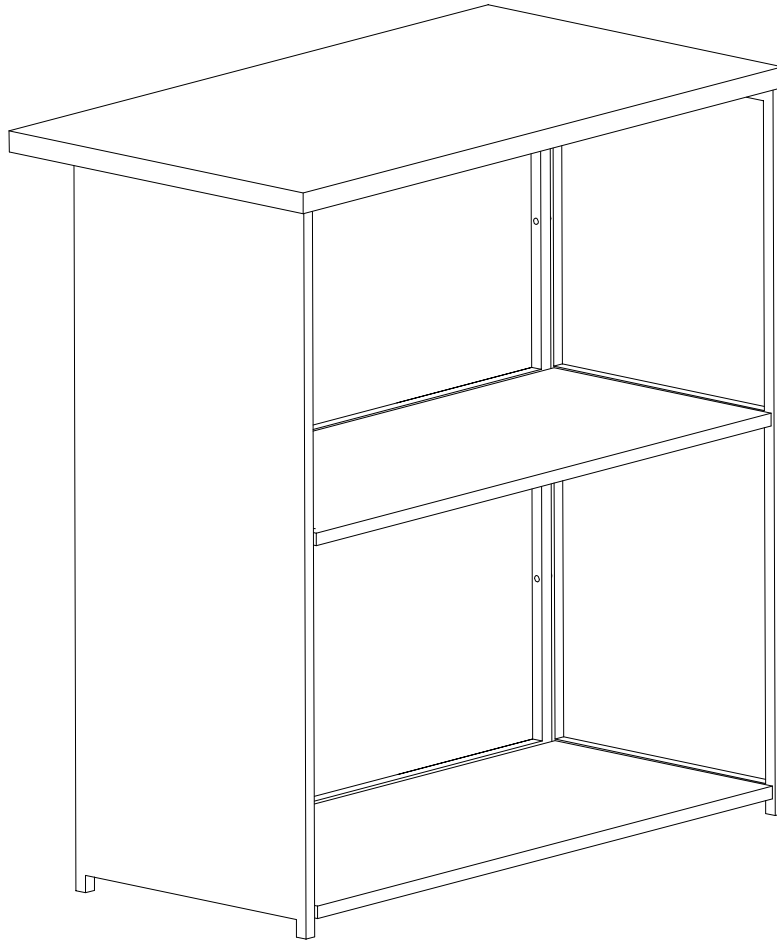


OUTDOOR WICKER 42" BAR

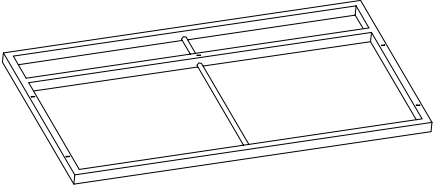
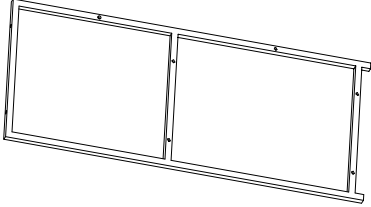
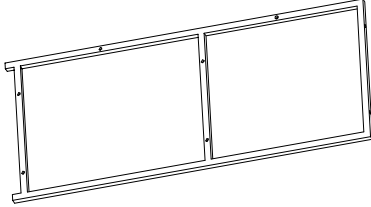
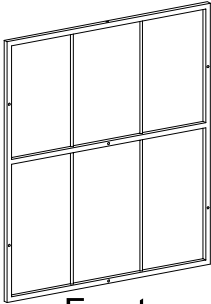
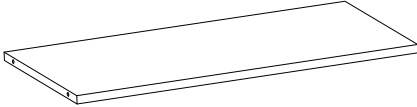


Congratulations! You have purchased a stylish piece of our furniture. We strived to provide fine furniture products, built with quality materials and hand finished details. Please carefully follow the assembly instructions to ensure your furniture is assembled correctly to provide long lasting enjoyment.

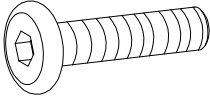
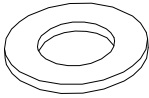
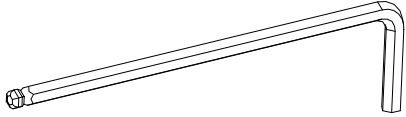
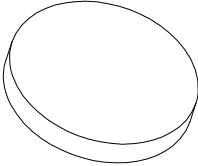
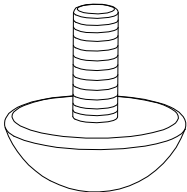
Should you experience any missing or damaged parts, **do not return to the store**, Please visit our website or contact us directly

Care: Use a soft, clean cloth that will not scratch the surface when cleaning. The use of solvents is not necessary. Should you choose to use solvents, test in an inconspicuous area first to avoid damaging the finish. TO clean, simply use a soft, clean cloth lightly dampened with water.

PART LIST

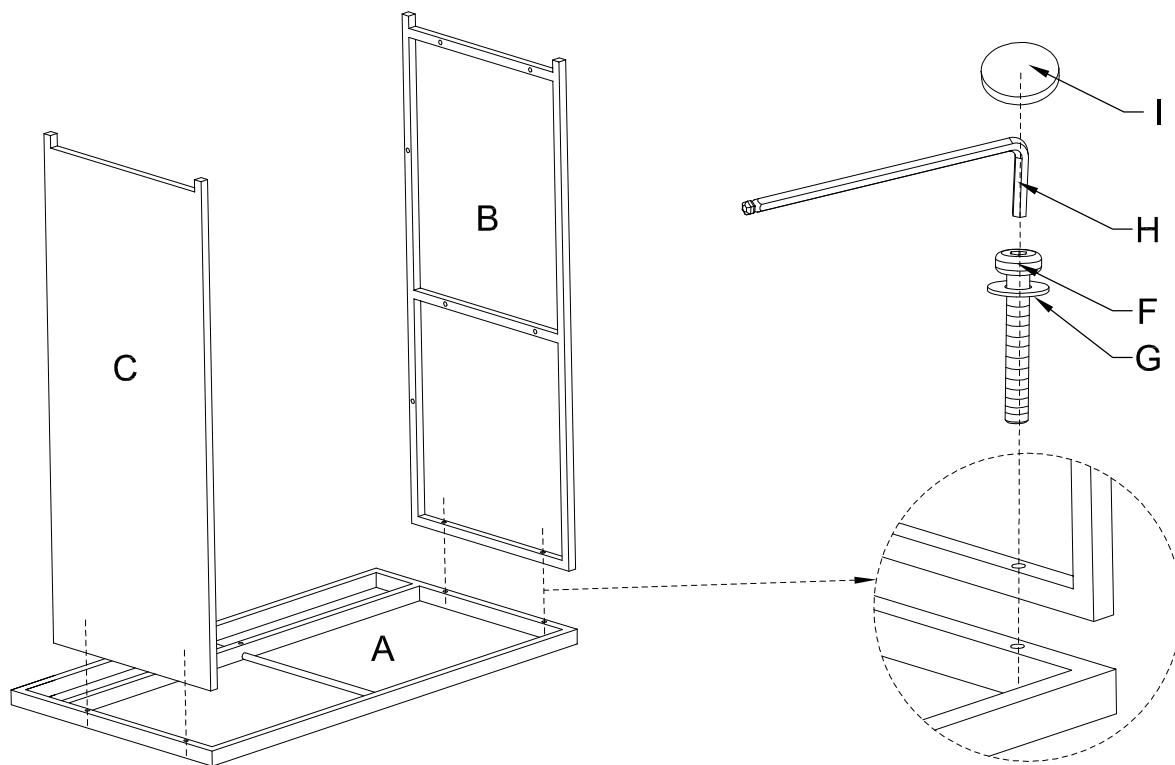
 <p>Top panel</p>		 <p>Left side panel</p>		 <p>Right side panel</p>	
A	1pc	B	1pc	C	1pc
 <p>Front panel</p>		 <p>Shelf</p>			
D	1pc	E	2pcs		

HARDWARE LIST

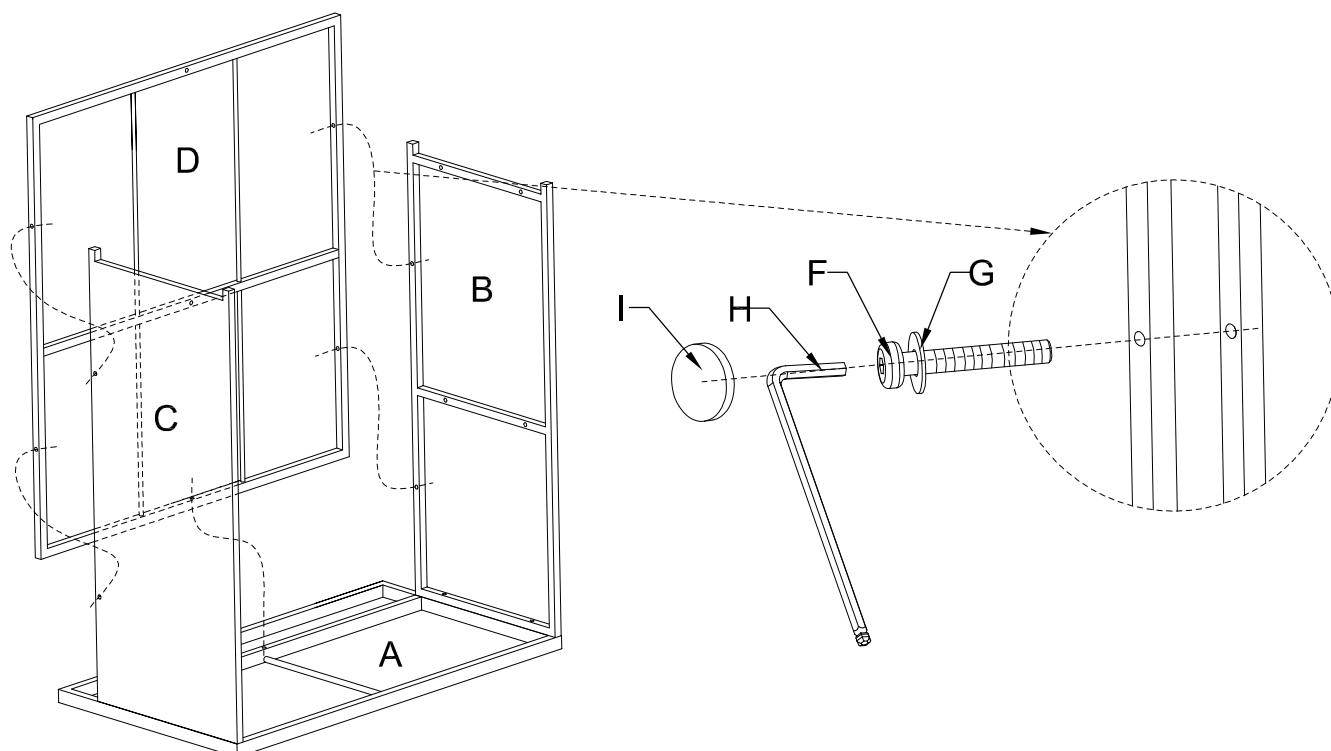
 <p>Bolt(M6*40mm)</p>		 <p>Washer(M6mm)</p>		 <p>Allen Key(M6mm)</p>	
F	19pcs	G	19pcs	H	1pc
 <p>Screw cap</p>		 <p>Adjustable Leveler</p>			
I	19pcs	J	4pcs		

Step 1. Lay top panel (A) down on a flat surface with underside facing up. Attach the left side panel (B) and right side panel (C) to top panel (A) using bolts (F), washers (G), allen key (H) and then cover the bolts with screw caps (I).

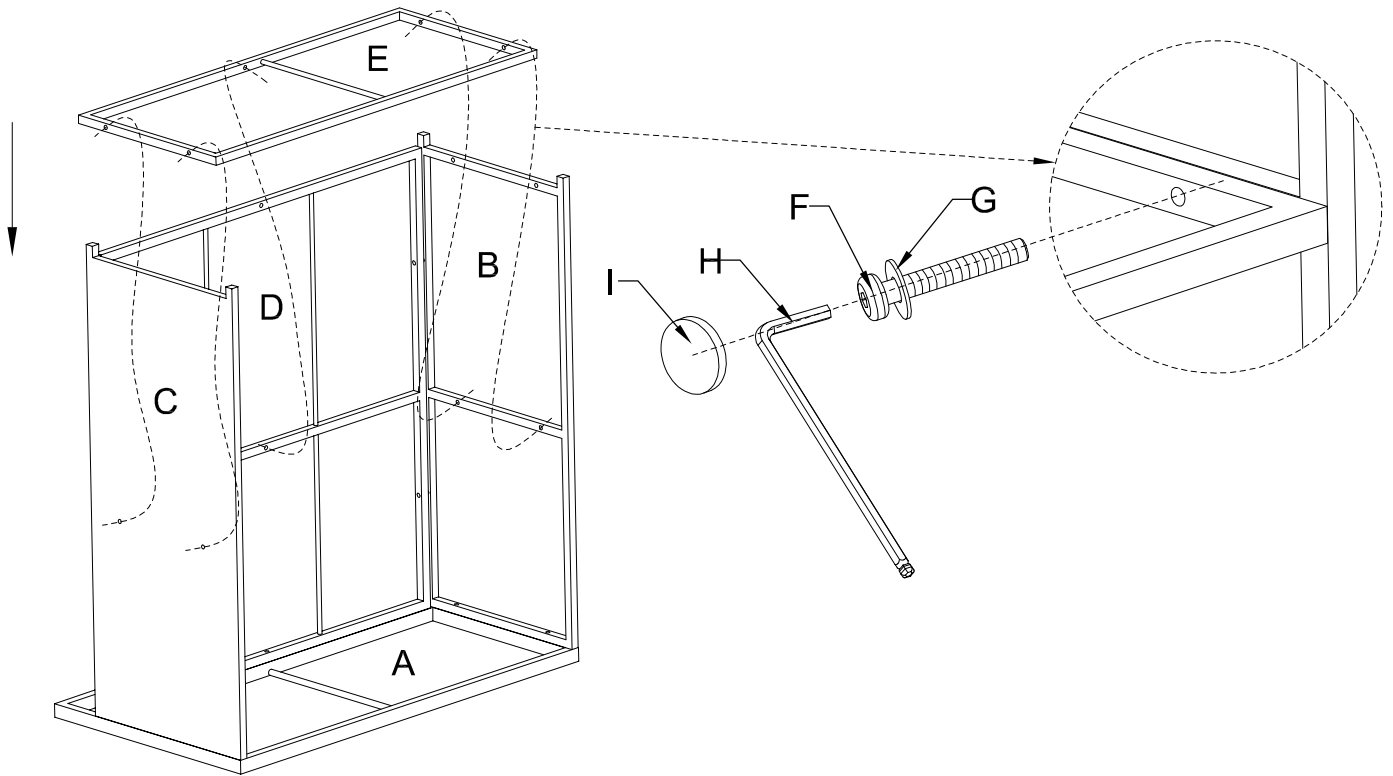
NOTE: Do not fully tighten bolt until all bolts are in place.



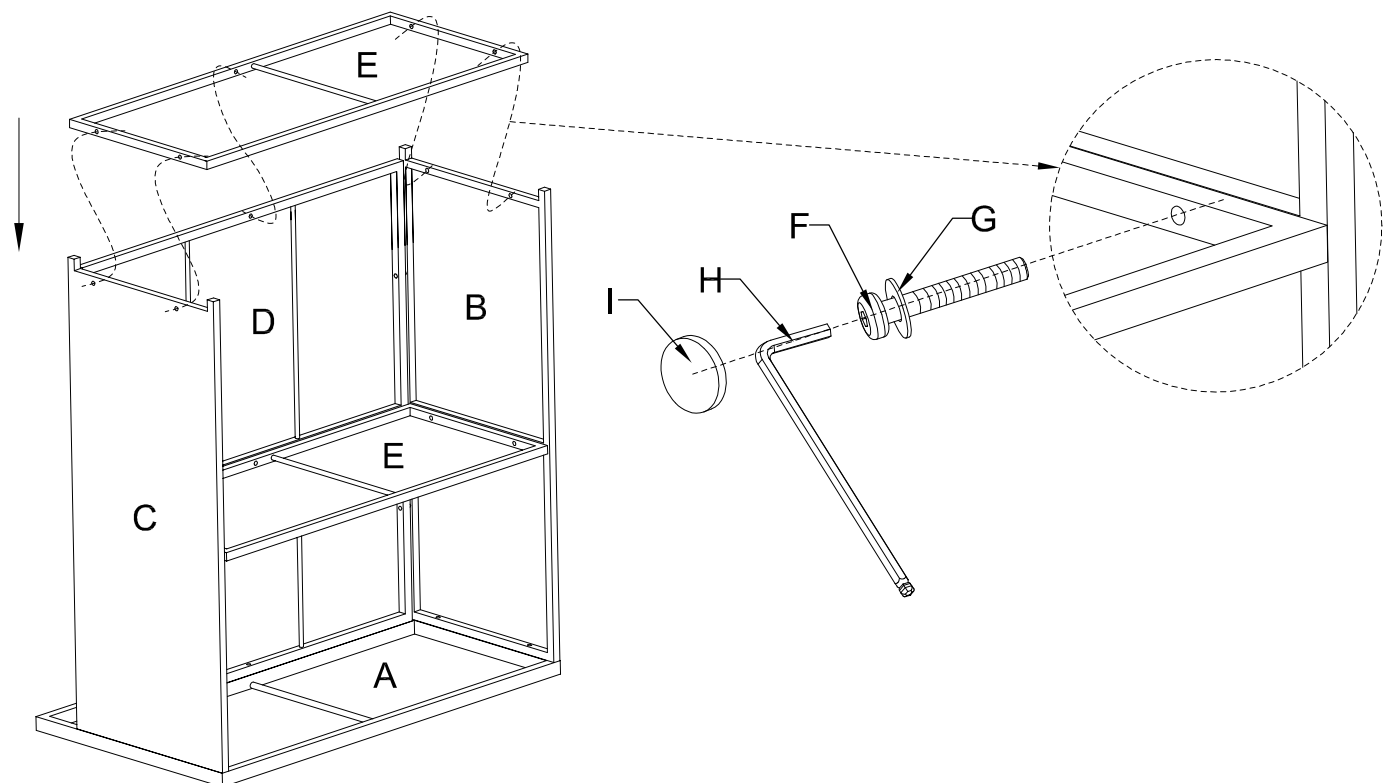
Step 2. Attach front panel (D) to top panel (A), left side panel (B) and right side panel (C) using bolts (F), washers (G), allen key (H) and then cover the bolts with screw caps (I).



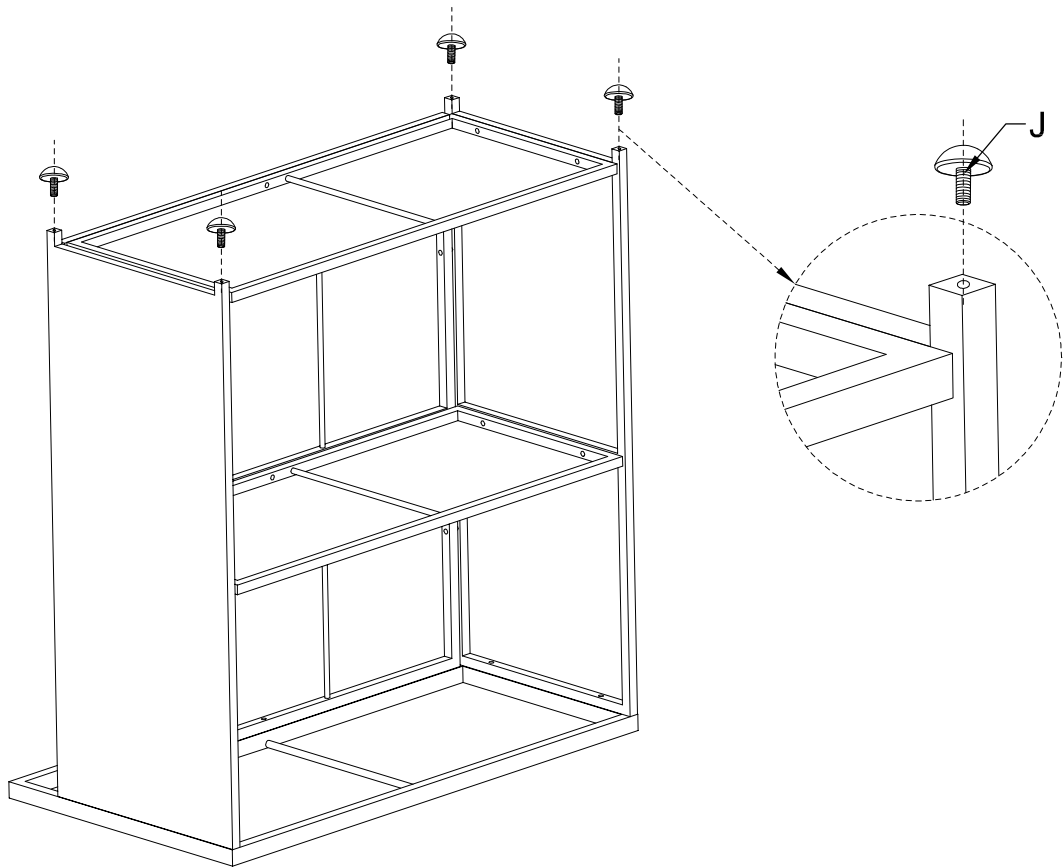
Step 3. Attach one shelf (E) to front panel (D), left side panel (B) and right side panel (C) using bolts (F), washers (G), allen key (H) and then cover the bolts with screw caps (I).



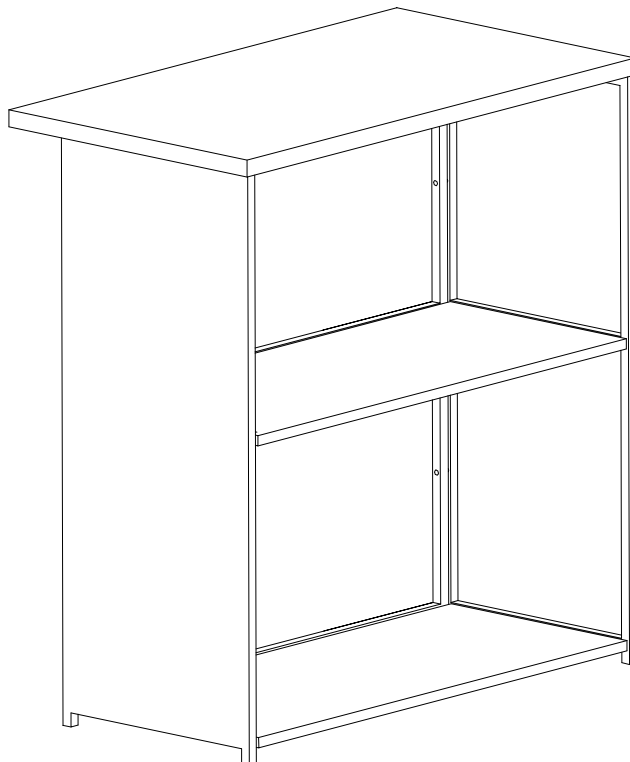
Step 4. Attach the other shelf (E) to front panel (D), left side panel (B) and right side panel (C), using bolts (F), washers (G), allen key (H) and then cover the bolts with screw caps (I).



Step 5. Screw the Adjustable Levelers (J) into the pre-drilled holes, to the desired position, on the bottom of the bar.



Step 6. Turn the assembled bar upright on a flat surface.



Limited Manufacturers Warranty

Our products are warranted against defects in material and workmanship for a period of 90 days beginning from the date of sale. Should any parts be missing or defective, we will replace or repair the parts for a period of 90 days from the date of purchase.

Should you experience any missing or damaged parts, do not return to the store. Please contact us directly

This warranty gives the purchaser specified legal rights in addition to any rights which may vary from state to state.