

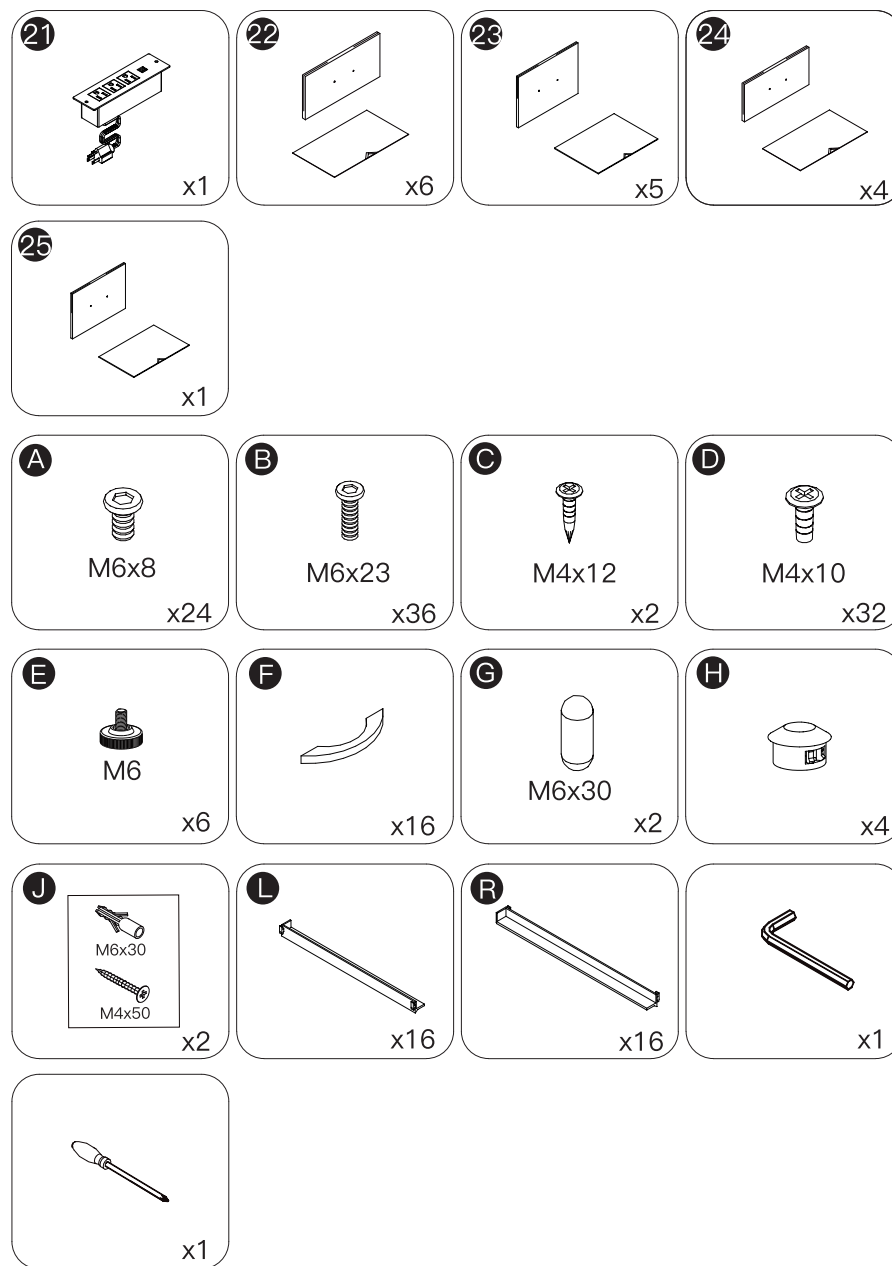
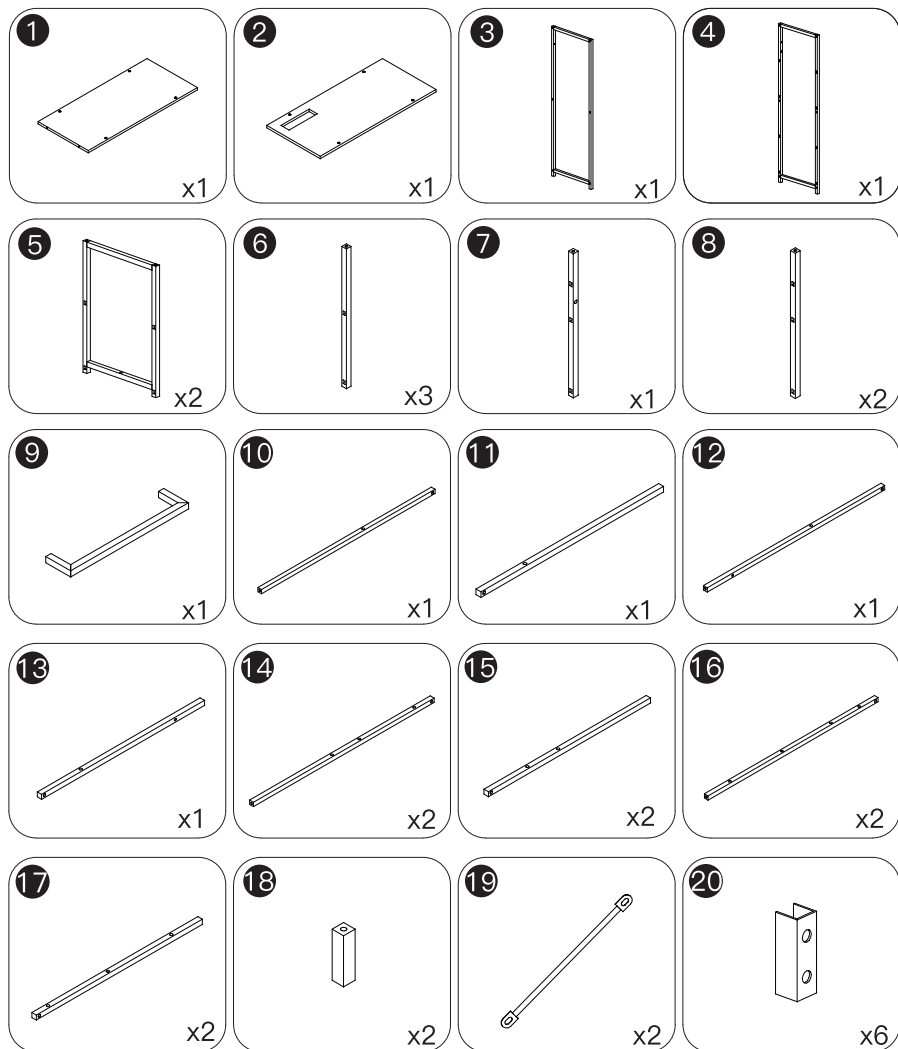
ASSEMBLY INSTRUCTION



Please check all parts and accessories according to the parts list before assembling, make sure all contents are sufficient and in good condition.

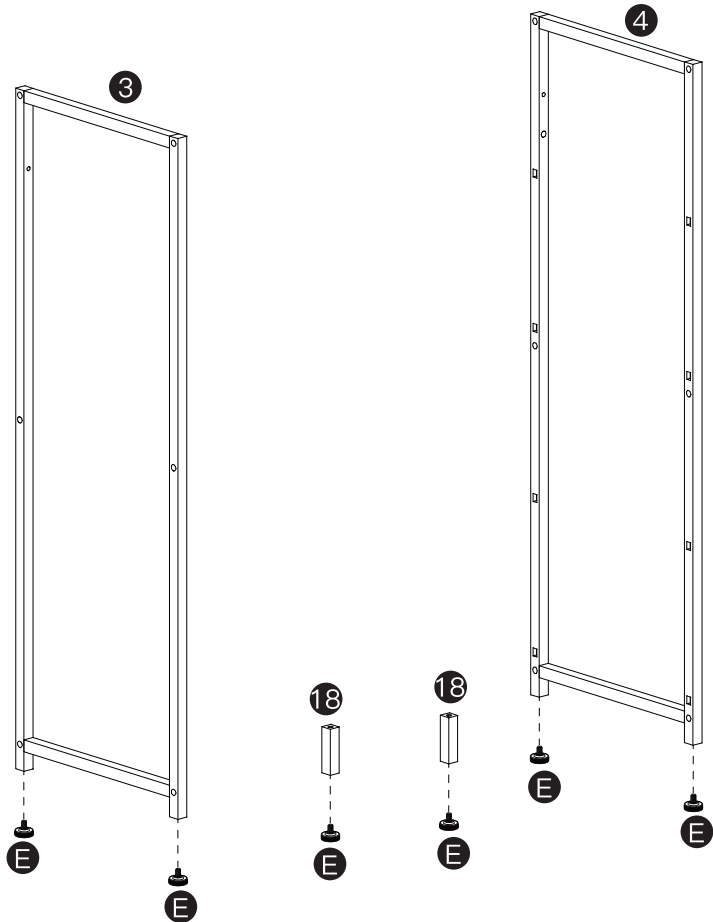
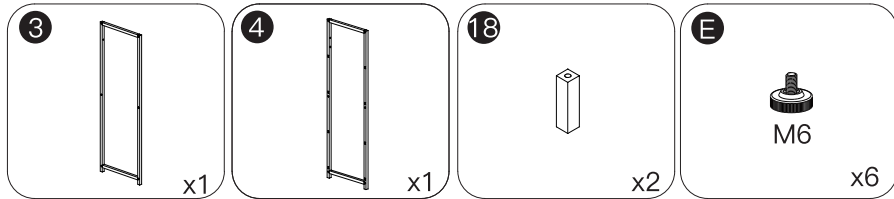
If there is any parts missing or defective, please contact us immediately with purchase platform message to get replacement parts.

PARTS:

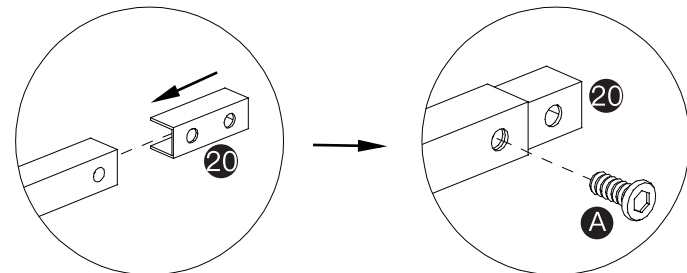
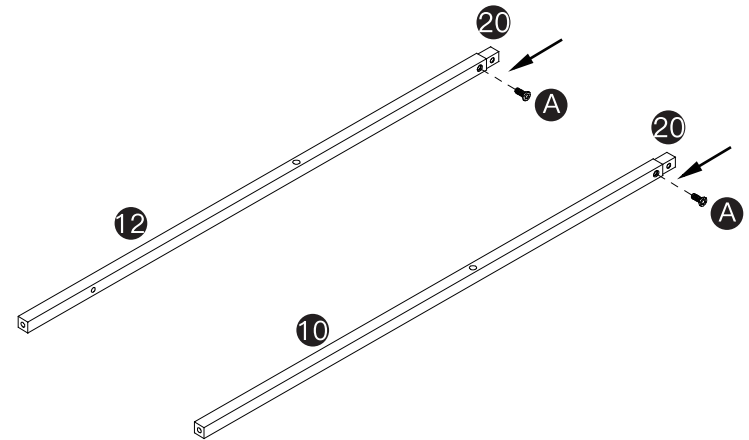
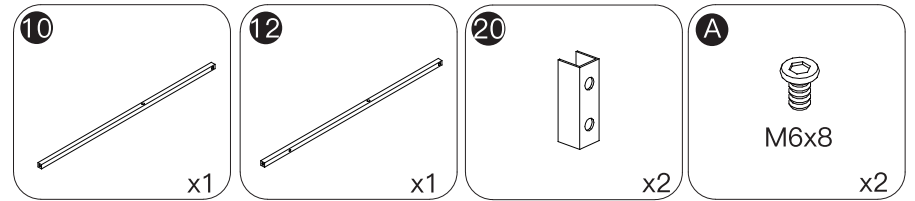


HOW TO INSTALL

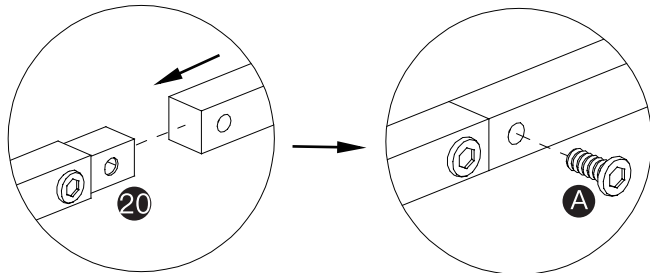
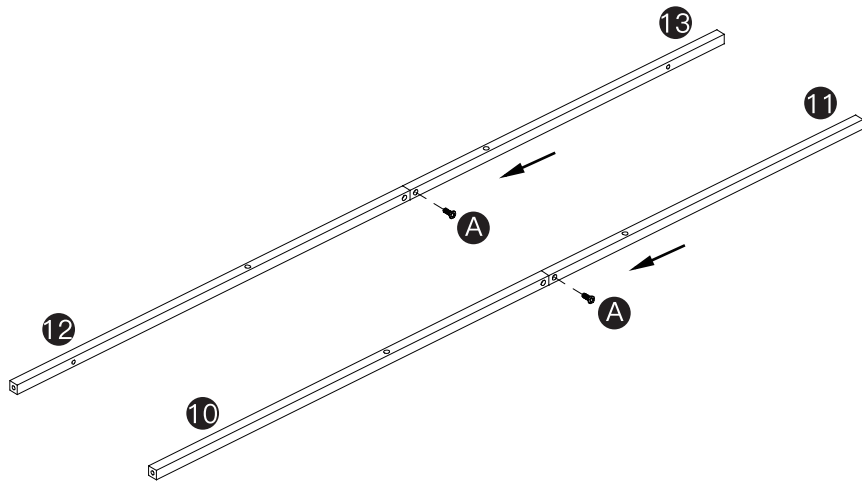
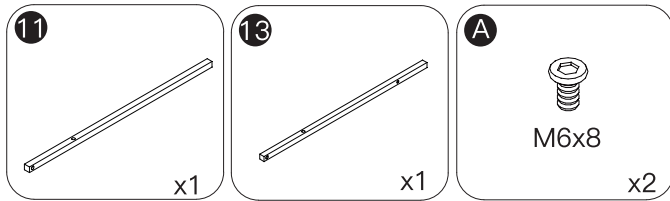
STEP 1



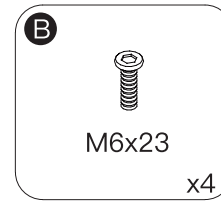
STEP 2



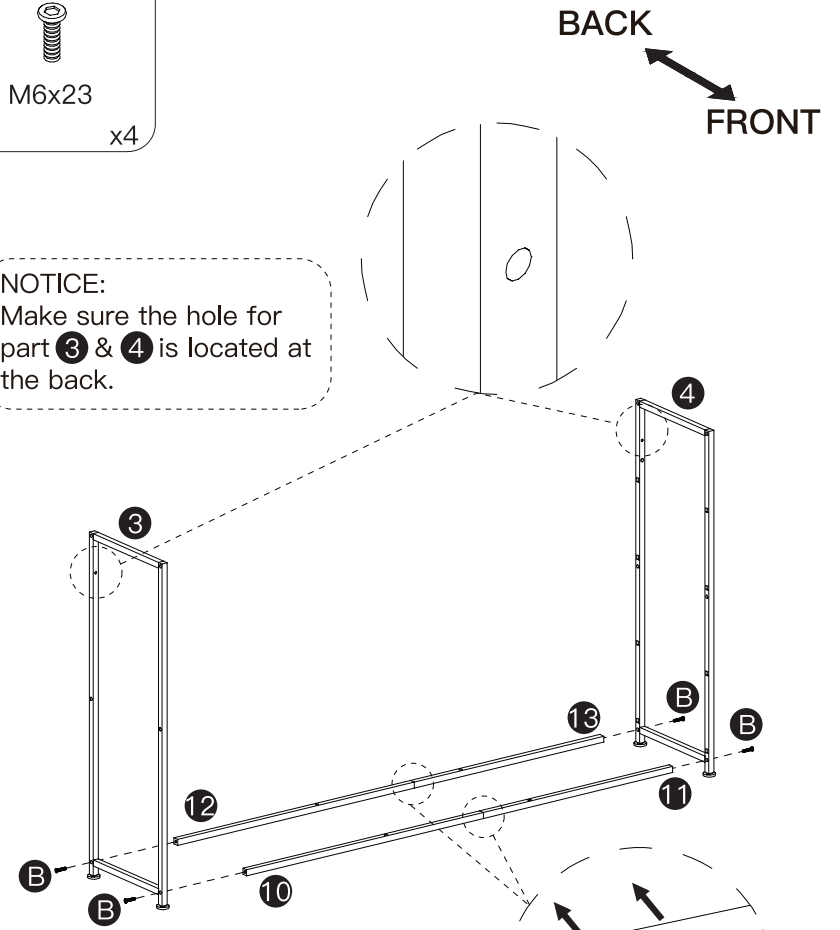
STEP 3



STEP 4

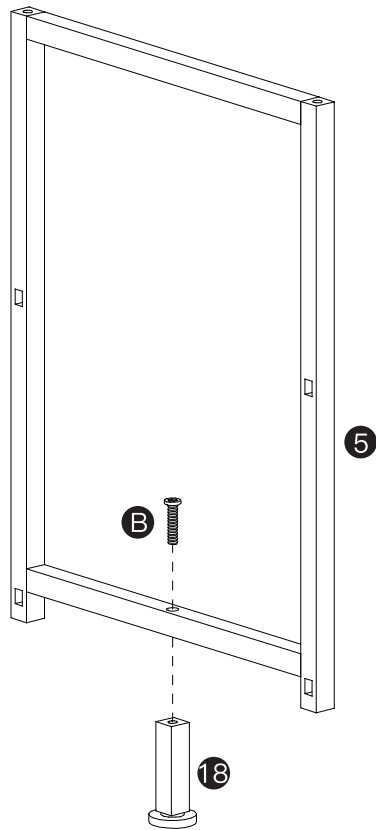
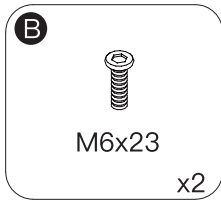
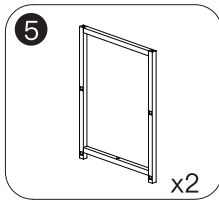


NOTICE:
Make sure the hole for
part 3 & 4 is located at
the back.



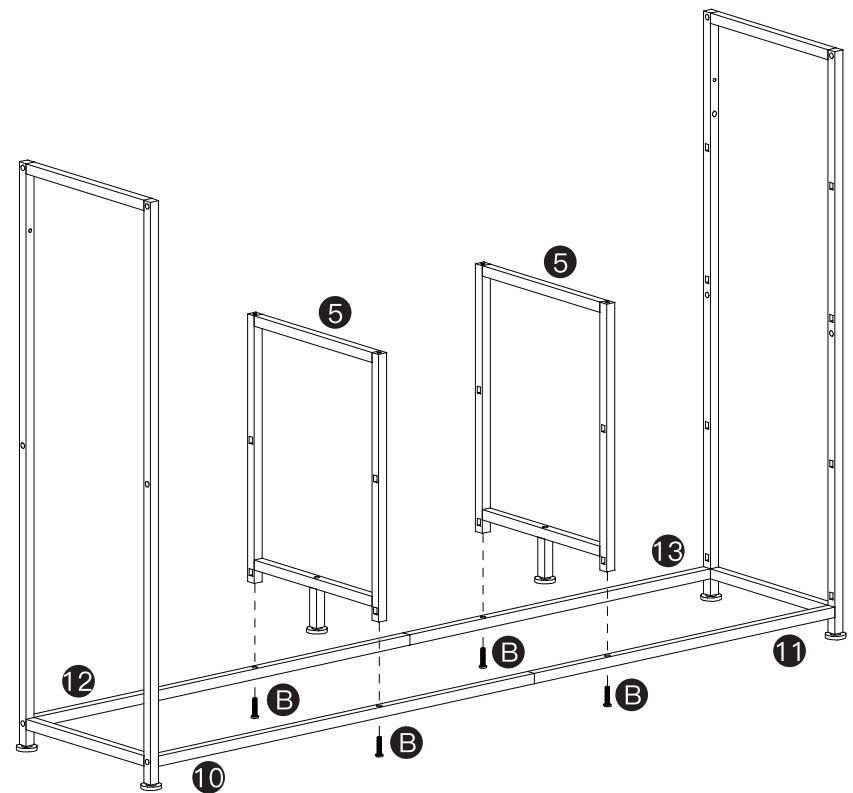
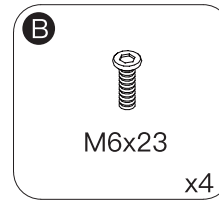
NOTICE:
Make sure the connection parts of parts
10 & 11, 12 & 13 are facing backwards.

STEP 5

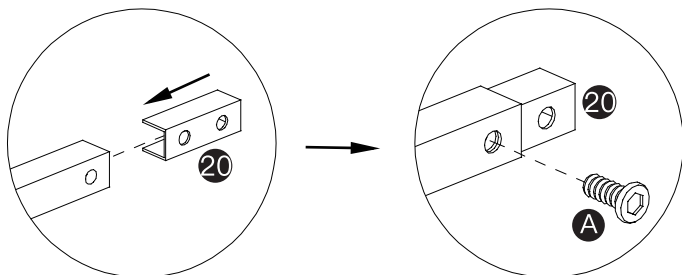
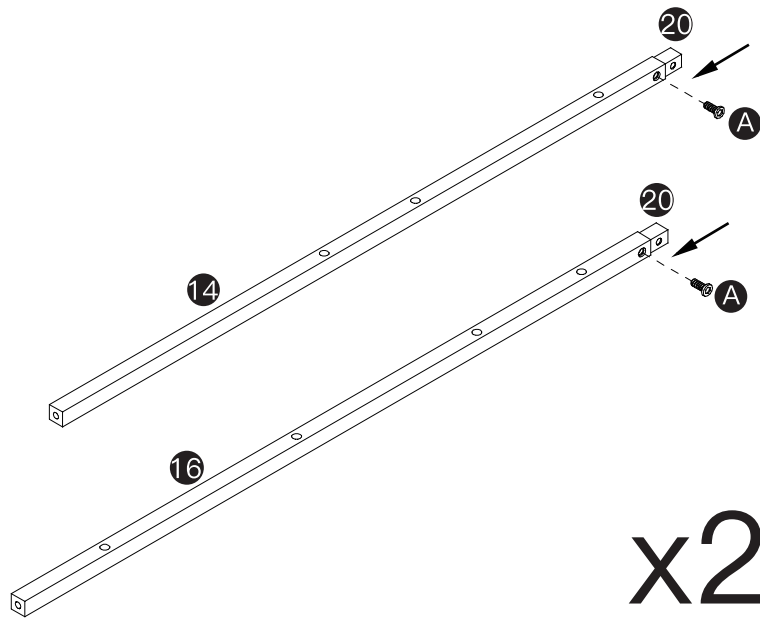
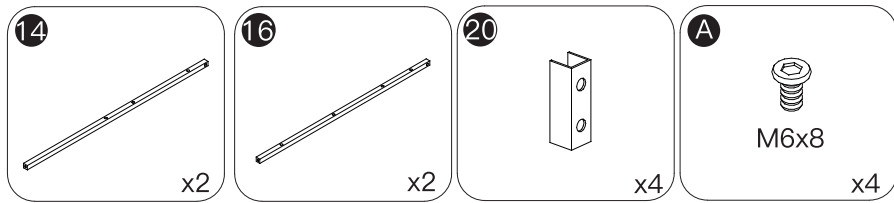


x2

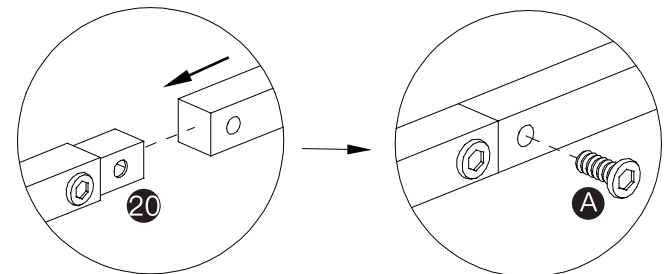
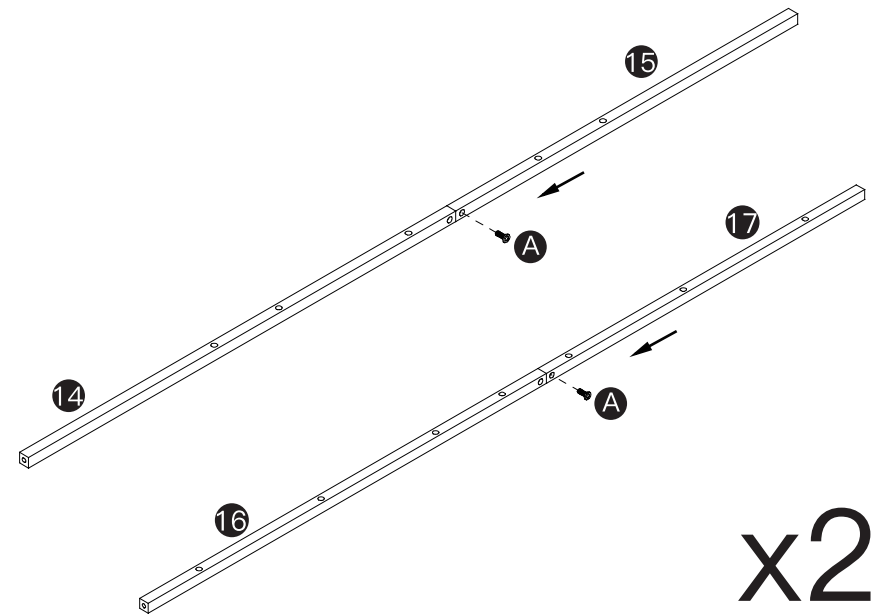
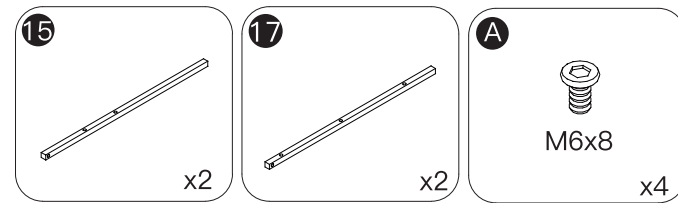
STEP 6



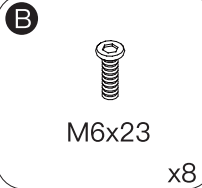
STEP 7



STEP 8

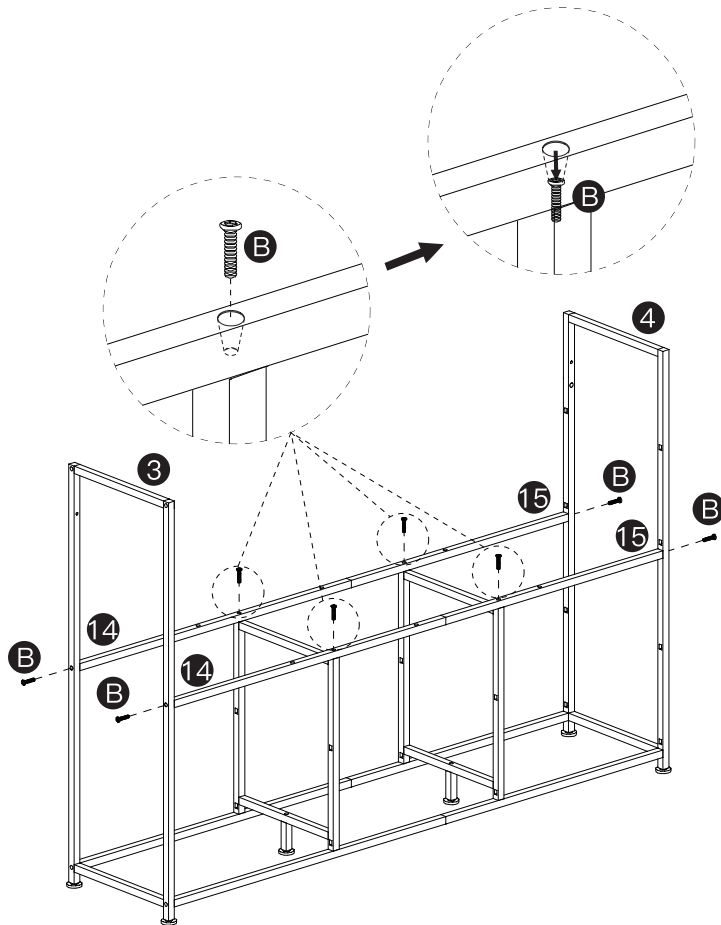


STEP 9

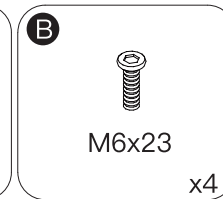
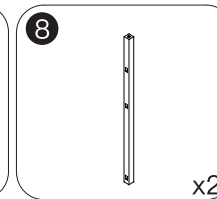
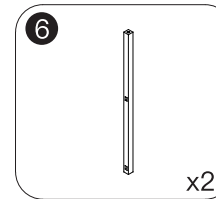


NOTICE:

- (1) Make sure the larger holes in part **14** & **15** are facing upwards.
- (2) Tighten the screws after inserting into larger holes.
- (3) Lock the middle screws first for easier installation.



STEP 10

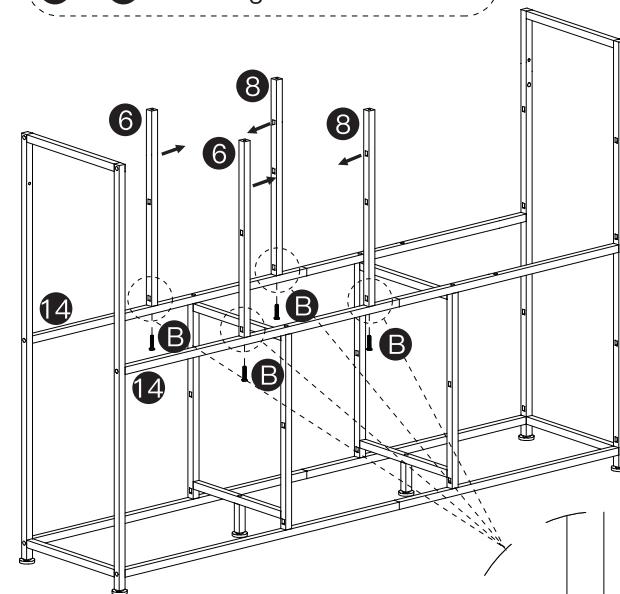


BACK

FRONT

NOTICE:

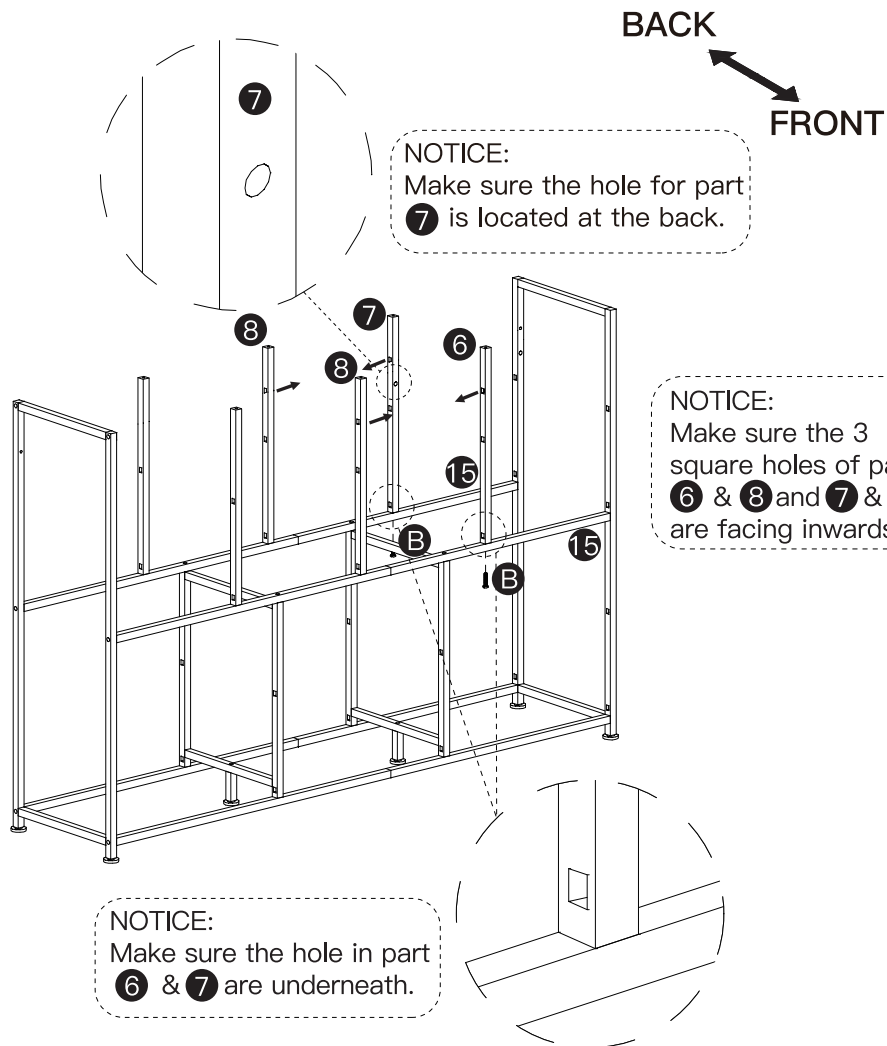
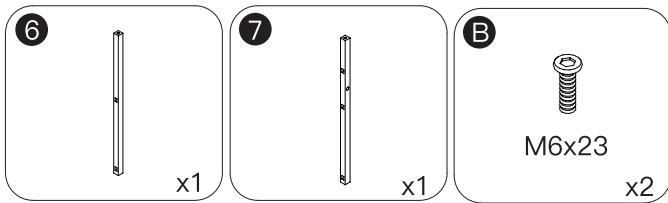
Make sure the 3 square holes of part **6** & **8** are facing inwards.



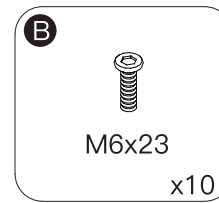
NOTICE:

Make sure the holes in part **6** & **8** are underneath.

STEP 11

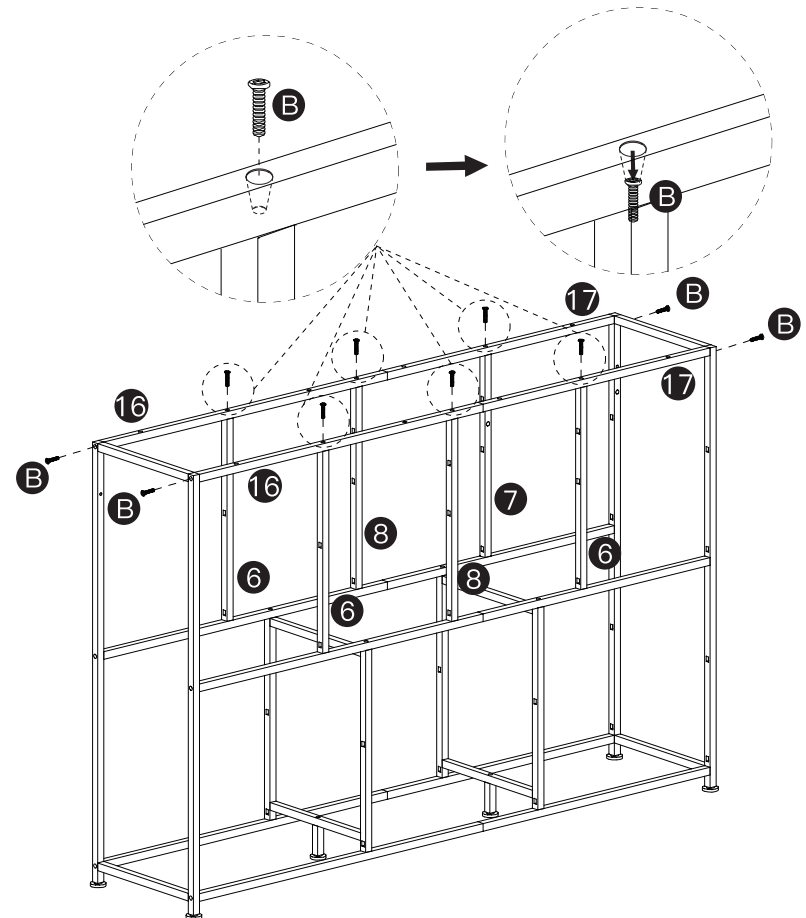


STEP 12

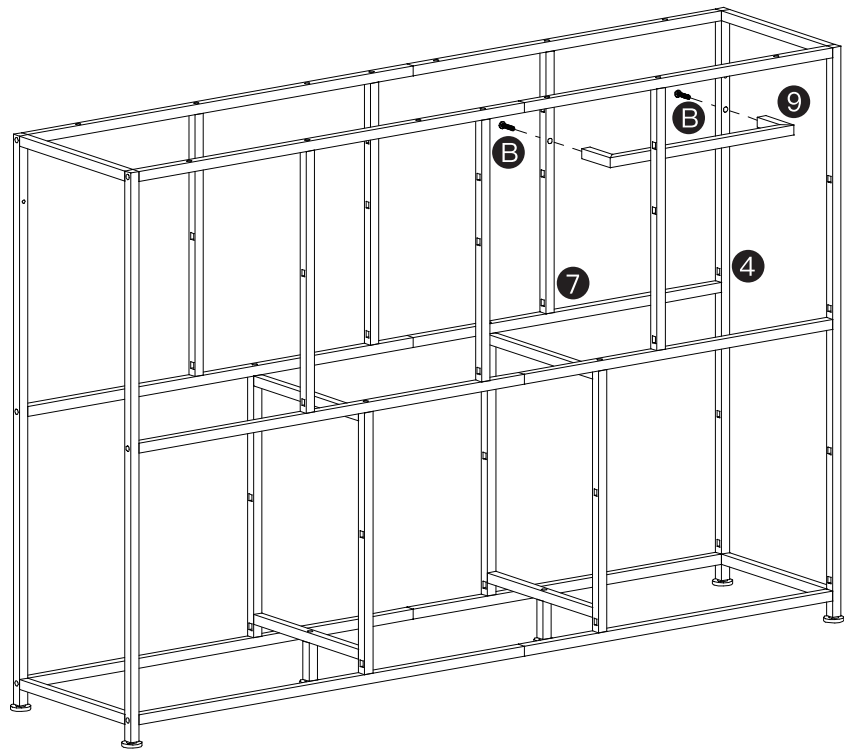
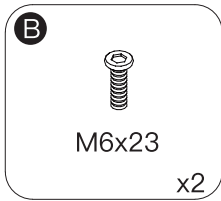
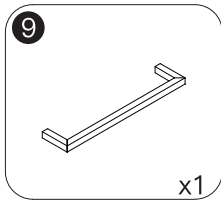


NOTICE:

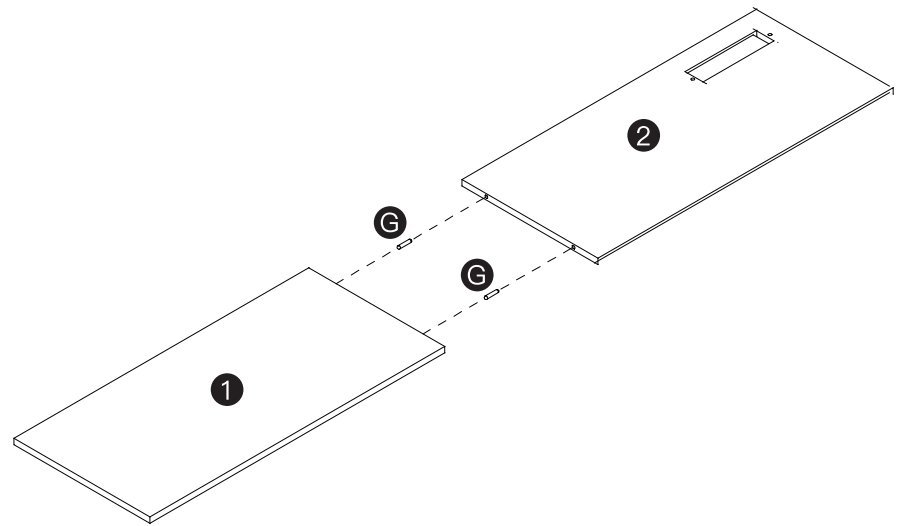
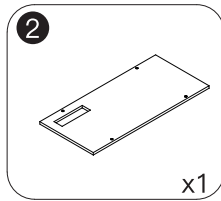
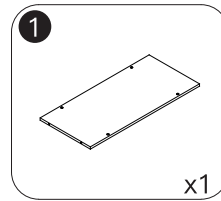
- (1) Make sure the larger holes in part 16 & 17 are facing upwards.
- (2) Tighten the screws after inserting into larger holes.
- (3) Lock the middle screws first for easier installation.



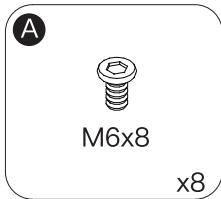
STEP 13



STEP 14

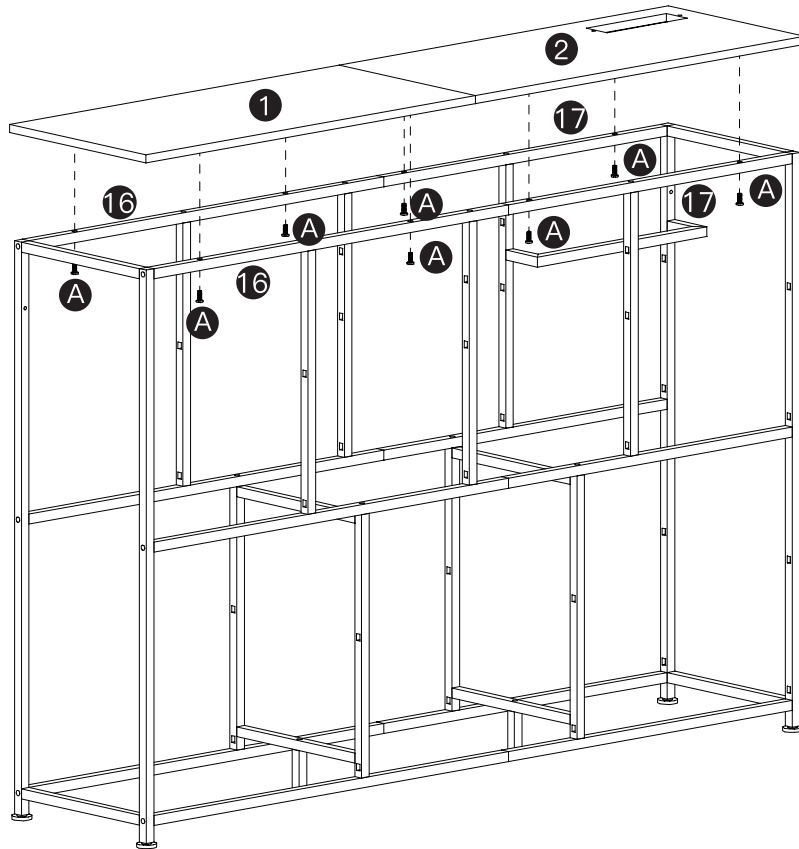


STEP 15

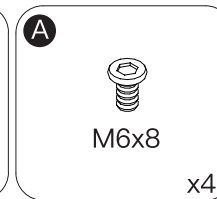
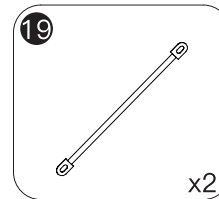


NOTICE:

Make sure the part ① & ② are lifted on the same horizontal line to prevent wooden cork from breaking.

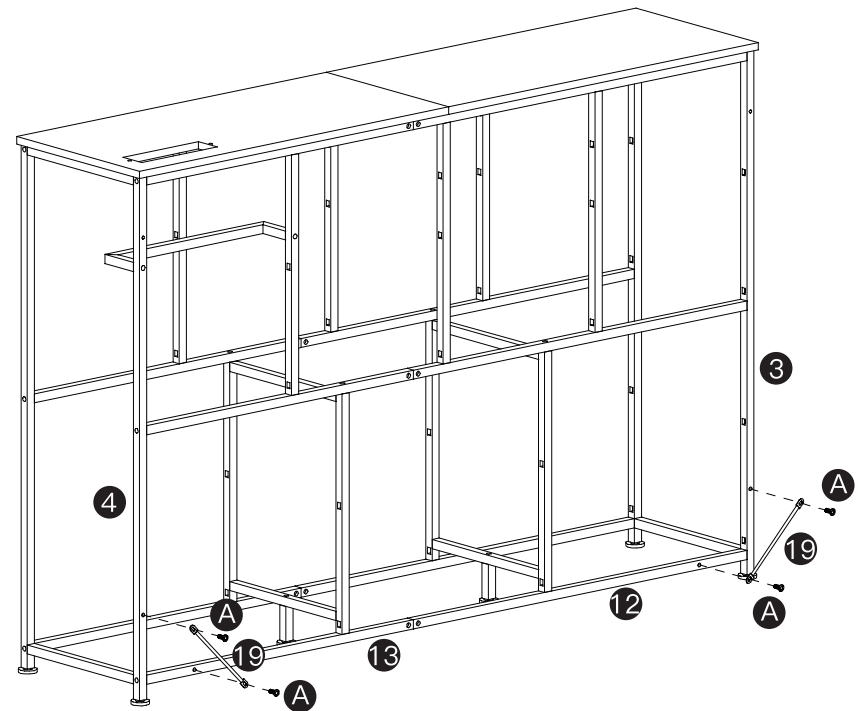


STEP 16

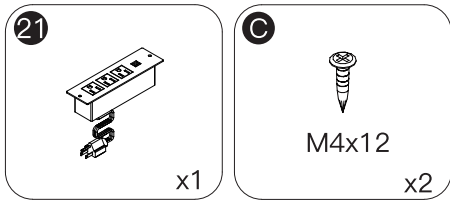


FRONT

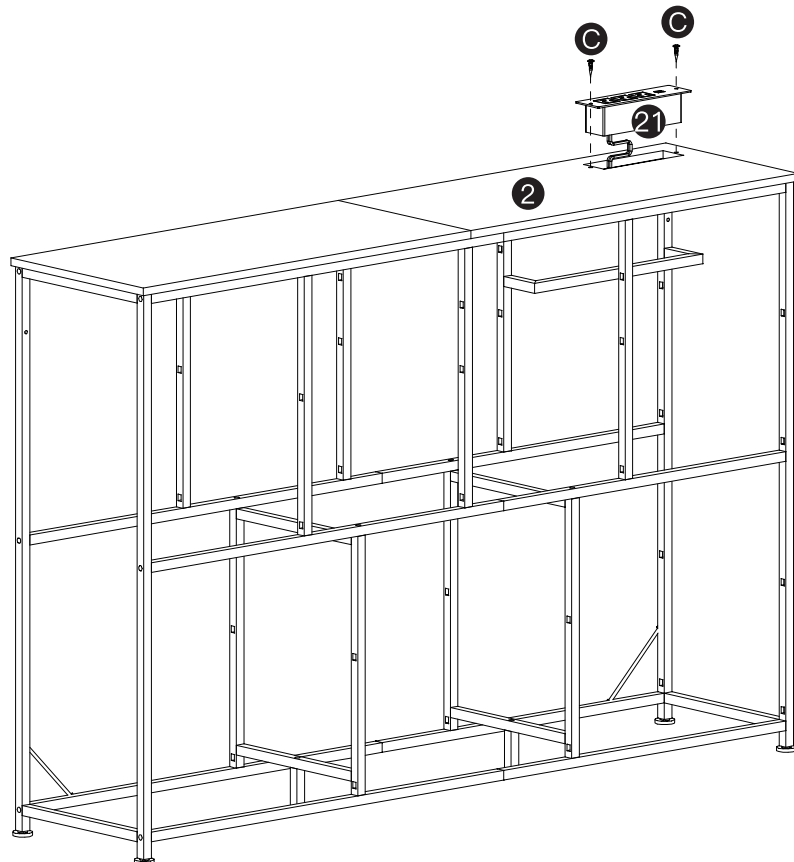
BACK



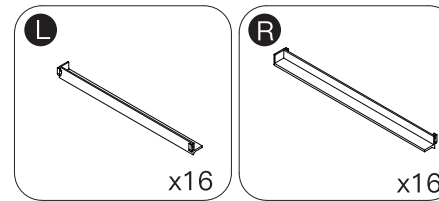
STEP 17



BACK
FRONT

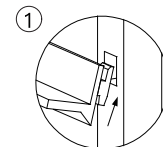
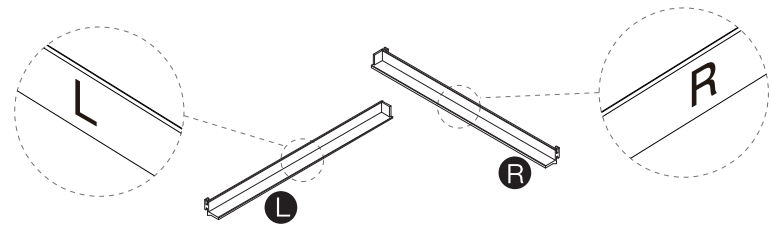


STEP 18

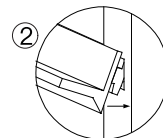


NOTICE:

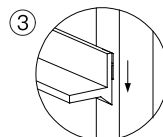
There's a corresponding L and R mark on each part located in a specified spot designed to distinguish them from each other easily.



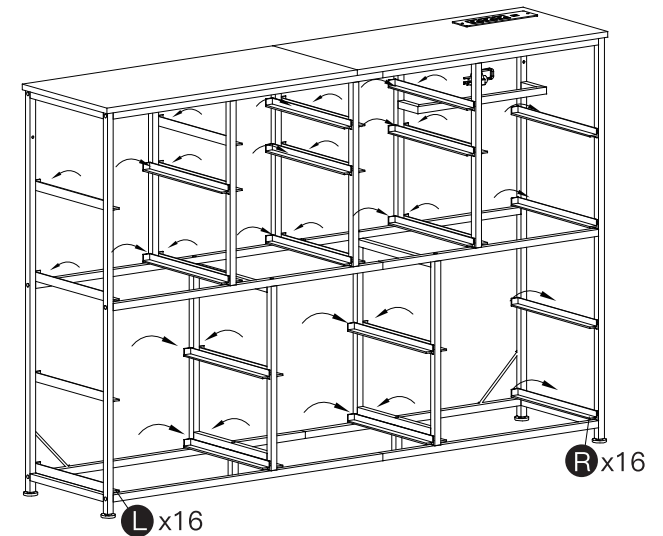
1
Insert the upper part into the square hole.



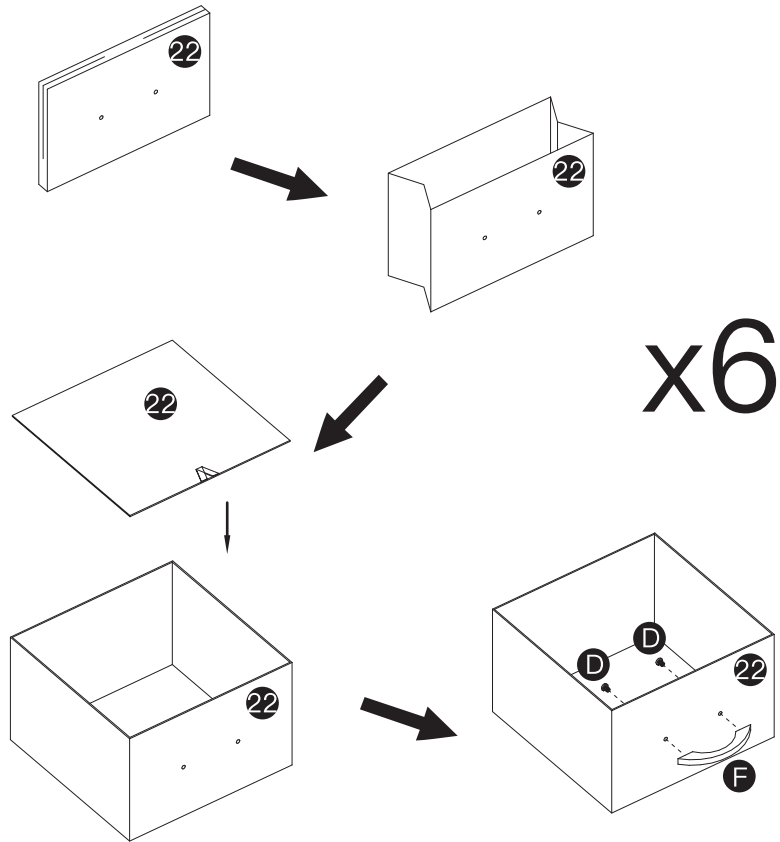
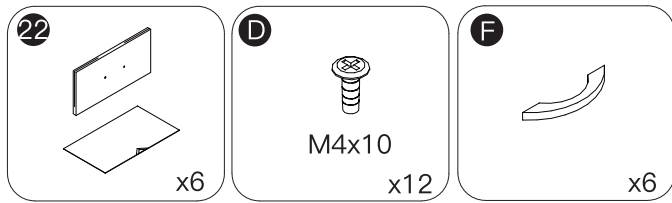
2
Then insert the rest part horizontally.



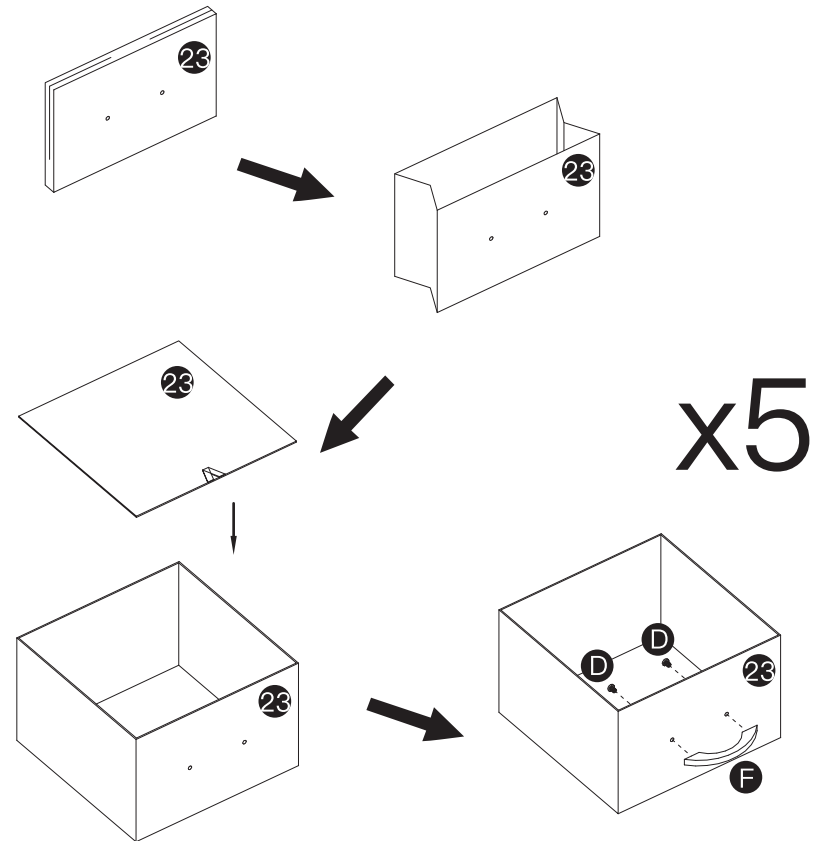
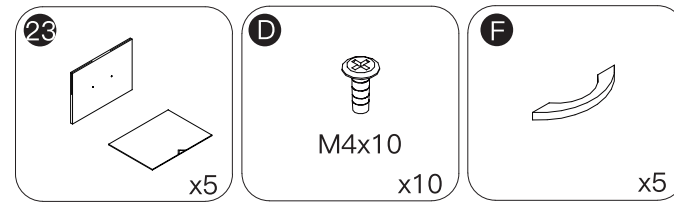
3
Press down the rail to ensure proper installation.



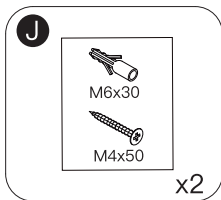
STEP 19



STEP 20



STEP 23

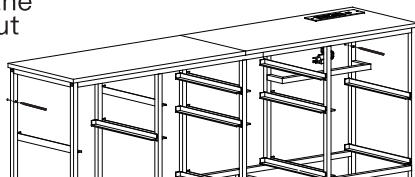


NOTICE:
Electric drill does not included in our parts, please prepare it by yourself.

1

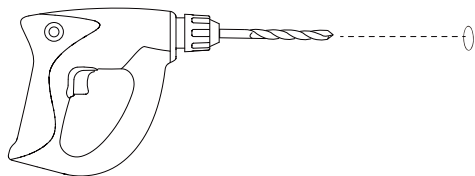
WALL

Place the rack against the wall, locate and mark out two holes.



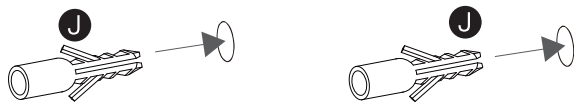
2

WALL



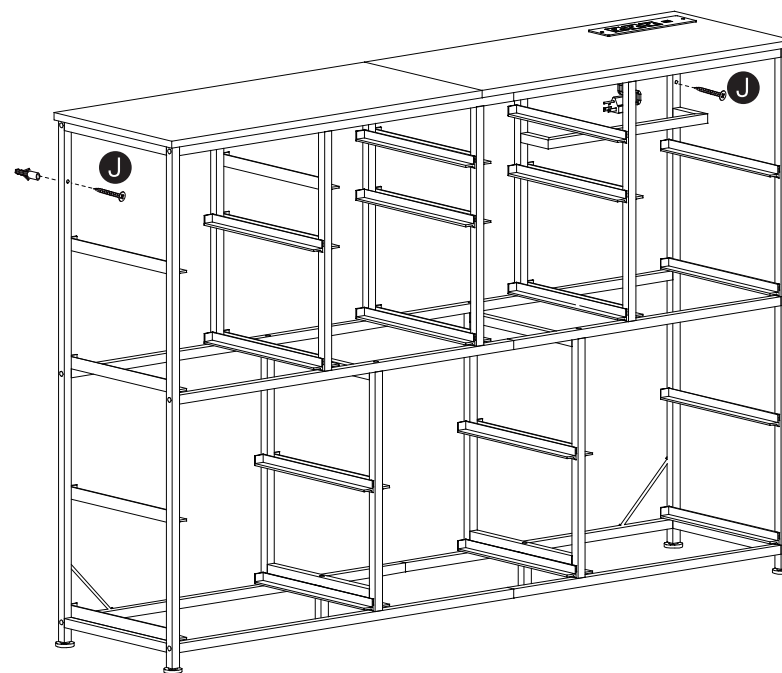
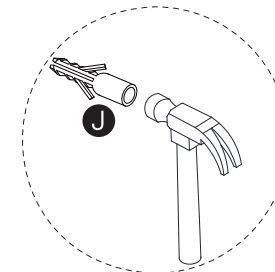
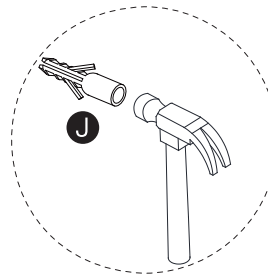
3

WALL

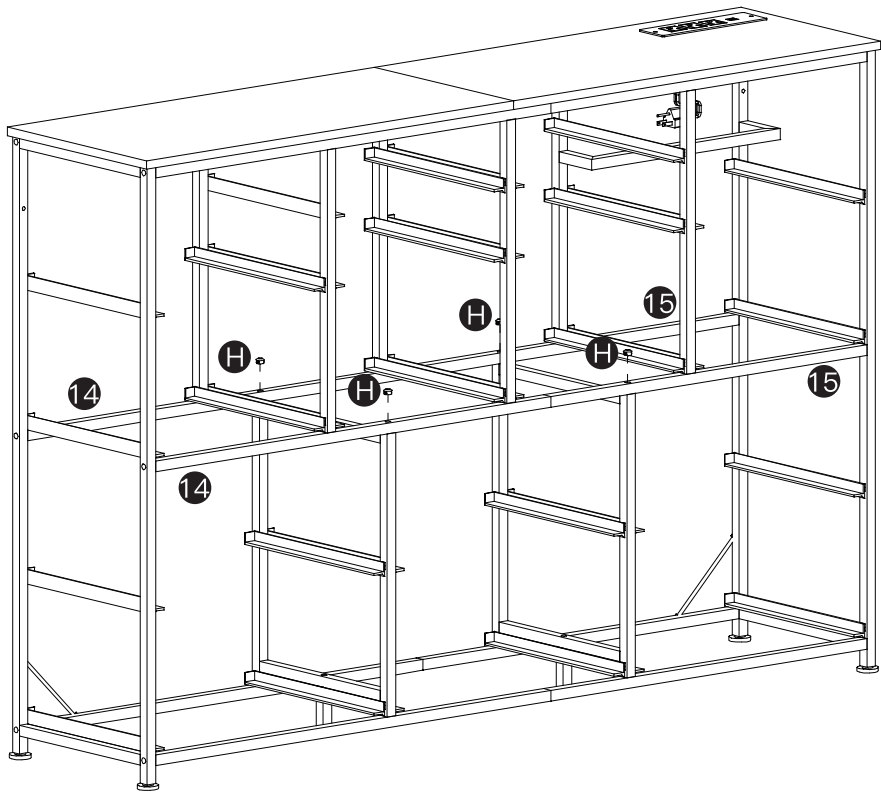
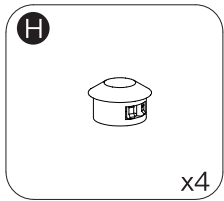


4

WALL



STEP 24



STEP 25



AFTERSALE SERVICE

Dear customer,

Thank you so much for purchasing the product from us, we really appreciate your support.

We are aimed to provide the best shopping experience to our customers. We also want to build a mutually beneficial relationship with our customers, and step further to make our brand both reliable, responsible and recommendable.

We hope that our products could meet your needs and expectations, please consider us again if you need more products for your home and kitchen.

The package would be out of our control during shipping, please contact us through your purchasing channel directly if there is anything wrong with the box or contents. We are always here offering you our service.

We will reply your messages within 24 hours, please kindly wait for the response from our professional service team.

Your comfort and contentment are of utmost importance.

Best Regards,
Customer Care Specialist