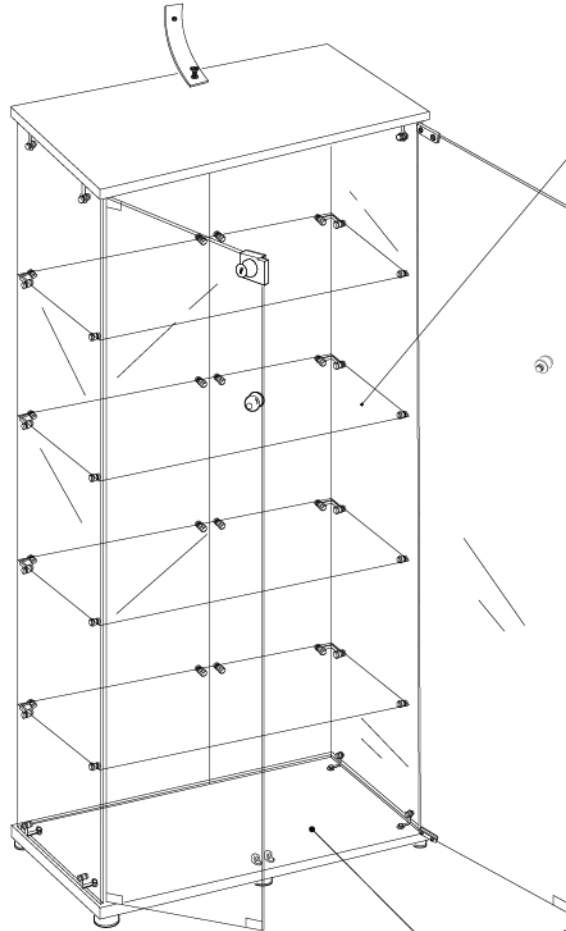
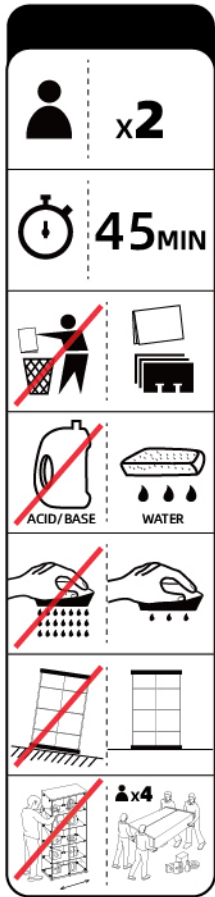


DOUBLE DOOR " TRANSPARENT " CABINET

TEMPERED GLASS

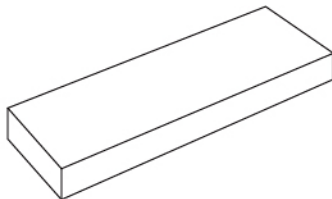
• WINE CABINET / DISPLAY CABINET •



KG/LB MAX
8KG/17.64LBS

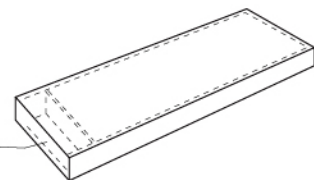
KG/LB MAX
50KG/110.23LBS

PACKING A
1900*445*135mm



- 3** 1799*387*5 mm / Door glass / X2
- 2** 1820*345*4 mm / Side glass / X2
- 1** 1820*390*4 mm / Back glass / X2

PACKING B
985*420*150mm



Accessory Package

- 6** 805*365*25mm / bottom panel / X1
- 4** 777*315*4mm / Shelf glass / X4
- 5** 805*365*25mm / Top panel / X1

ENGLISH

GOOD TO KNOW ABOUT TEMPERED GLASS

IMPORTANT :

HANDLE WITH CARE! A DAMAGED EDGE OR SCRATCHED SURFACE CAN IN EXCEPTIONAL CASES CAUSE THE GLASS TO CRACK SUDDENLY. HOWEVER, NEVER INTO SHARP FRAGMENTS, ONLY INTO SMALL PIECES. AVOID COLLISIONS FROM THE SIDE – THIS IS THE MOST FRAGILE PART OF THE GLASS.

WARNING

FURNITURE TIPPING-OVER COULD RESULT IN INJURY OR DEATH TO THE INSTALLER.

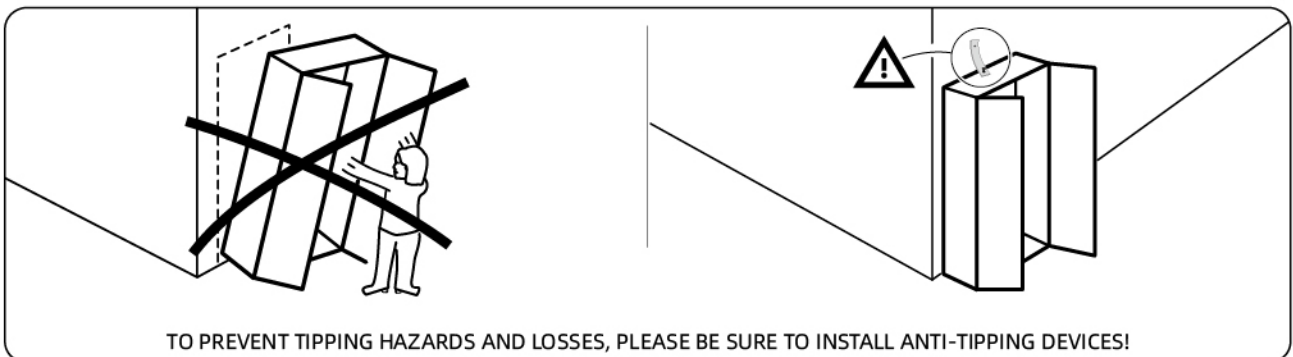
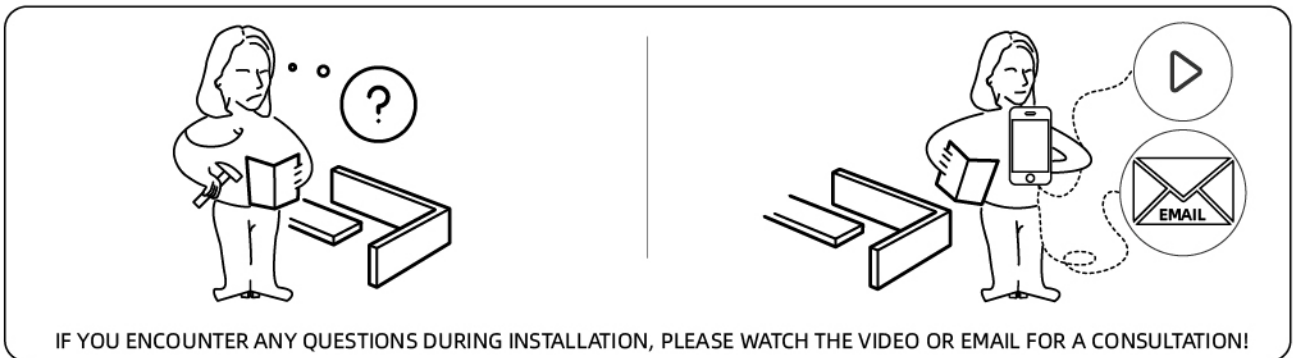
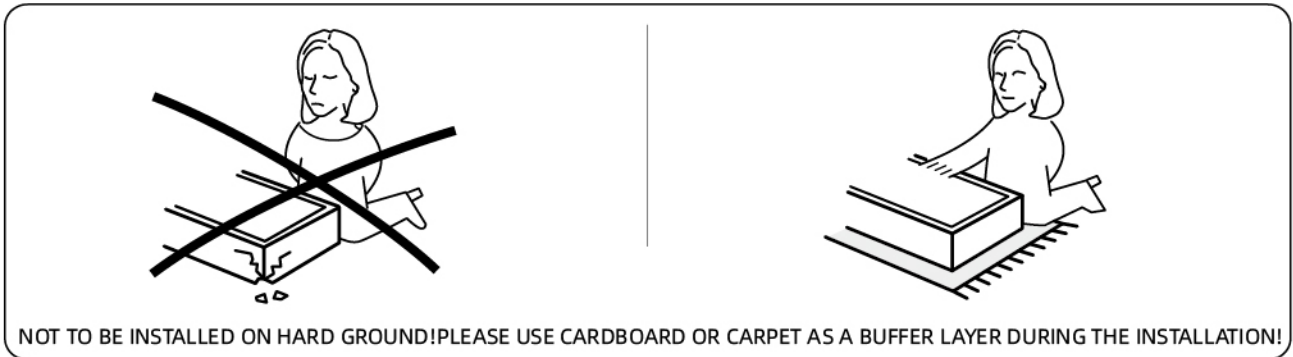
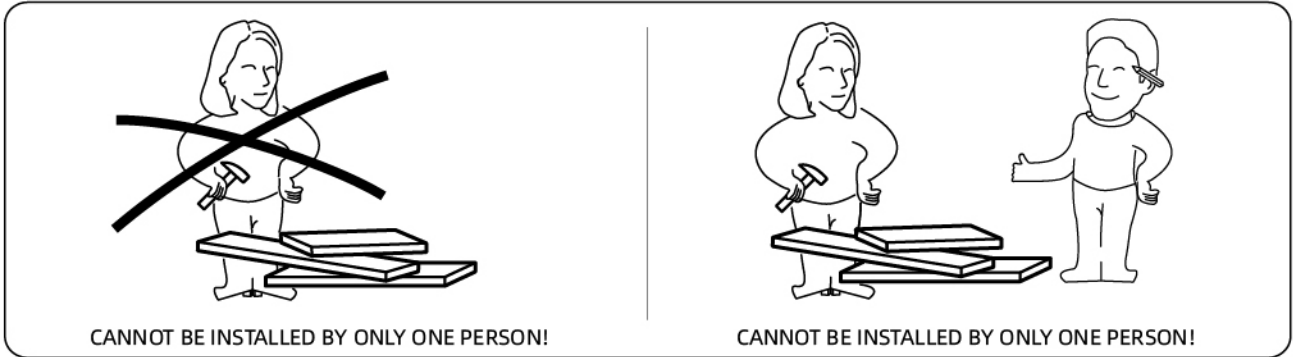
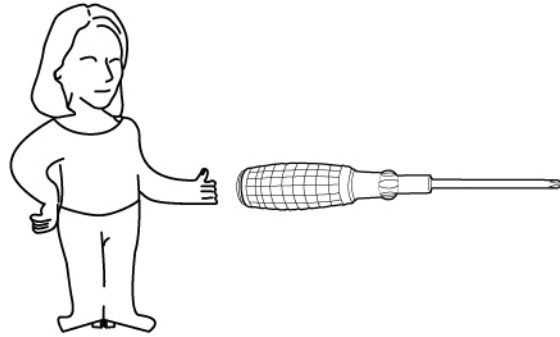
ALWAYS SECURE THIS PRODUCT PERMANENTLY TO THE WALL.



The only wall mount included in the package is suitable for wooden walls or other solid walls.

For wooden walls, please only use the screws, the included plastic screw accessory is only an option. For hard walls, please drill holes with a hammer and then insert the screws and plastic accessories. The included wall mount is not suitable for walls with weak holding force, such as plasterboard. To attach this product to the plasterboard, please make sure the screws are securely fastened to the keel. Please choose the proper safety devices according to the type of wall in your house.

1. Tempered glass has a 0.3% risk of self-explosion. In case of such an accident, please contact us and we will replace the damaged glass. During installation, please wear gloves, long-sleeved shirts, pants and socks to avoid possible injury.
2. To avoid possible accidents, please keep children away during installation. Please make sure that the installation is done by two adults.
3. During installation, use cardboard or carpet as a buffer layer to prevent the glass corner from colliding with hard objects such as the floor. Especially when installing tempered glass, make sure the corners do not hit the floor to prevent the tempered glass from exploding due to force changes.
4. When installing a display case, install the anti-tilt device first to avoid possible serious or fatal injury. To prevent possible tipping over, the display case must be permanently attached to the wall. Wall mounting is not limited to the fixtures we offer. You are free to install similar fixtures to avoid possible hazards.
5. DO NOT operate the cabinet door frequently, and DO NOT shake the cabinet to avoid the risk of colliding with the cabinet door or dropping objects. Again, install an anti-tipping device and keep children away (at least 2 meters/6.6 feet away) from this display case. Please also install a door lock to avoid possible injury from accidental operation by children.
6. The top/bottom panel of this cabinet is made of MFC/PVC-covered particle board, which is not fireproof.
7. For disposal, please contact the relevant local authorities or qualified companies.
8. The product is a partially transparent tempered glass display case, it is not fully transparent. After installation, the distance may be different due to the different fixing forces.
9. No part of this product can be swallowed, played with, or used for other purposes.
10. Please adjust the footrest on the product after installation. The maximum load of the glass plate is 8.00 kg/17.64 lbs. Note that the load capacity is for stored items only.
11. Product dimensions may have a tolerance of 10 mm/0.4 inch due to different measuring tools or methods.
12. After installing the cabinet, check and tighten all screws to avoid potential safety hazards, such as shelves falling and cabinet structures becoming loose due to loose screws.

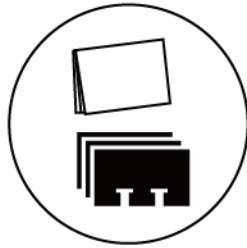




Manual preservation/maintenance



Please keep the installation manual properly and do not discard it;



ACID/BASE



WATER



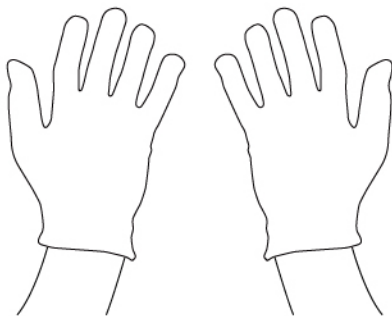
Please do not use acidic or alkaline detergents to clean tempered glass or cover plates. Do not use a damp cloth to wipe tempered glass. Use a slightly damp cloth containing water to wipe tempered glass; Please use a dry cloth to wipe the cover plate!

Cabinet movement instructions

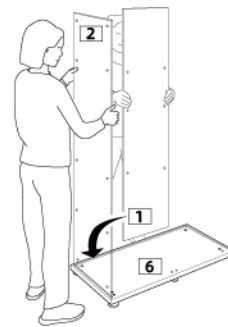
Before moving the cabinet, please ensure that there are no objects placed on the shelves; remove the tempered glass shelves and place them in a safe position; check the door lock and ensure that the tempered glass door is closed; it is forbidden to move objects inside the cabinet; please operate with four people when moving!



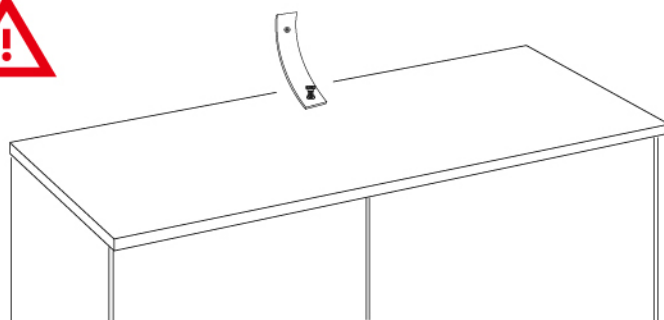
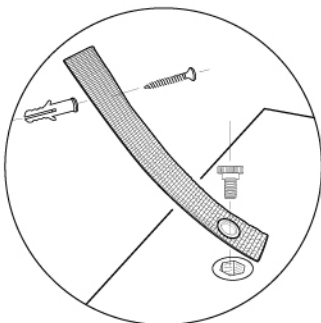
Please use gloves during installation



When installing, please start from one side




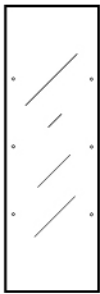
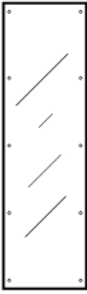
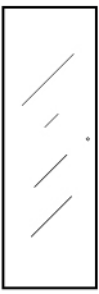



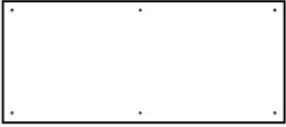
Please make sure to install two anti fall devices




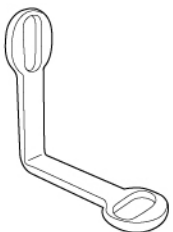
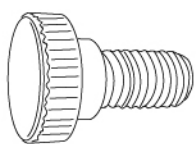
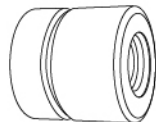

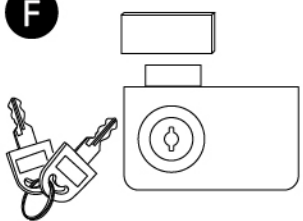

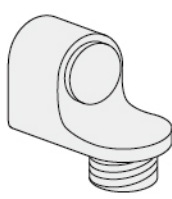
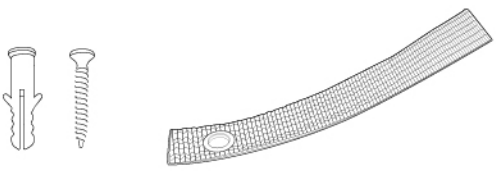

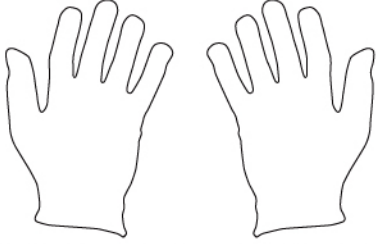
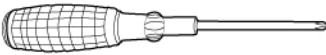
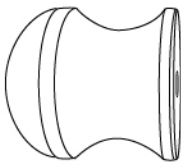
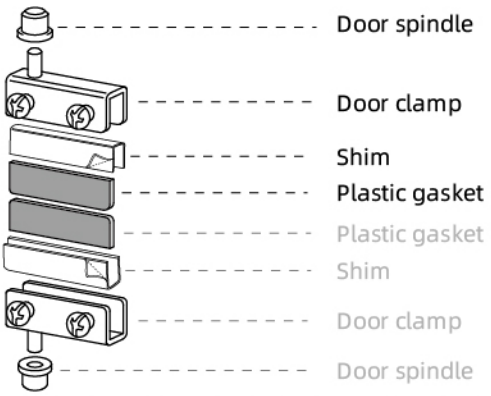
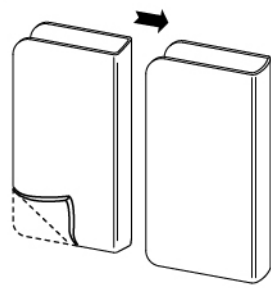
PRODUCT COMPONENT LIST

NO	ASSEMBLY	SIZE	NUMBER	TEXTURE OF MATERIAL
1	Back glass	1820*390mm(64mm)	2	Tempered glass
2	Side glass	1820*345mm(64mm)	2	
3	Door glass	1799*387mm(65mm)	2	
4	Shelf glass	775*315mm(65mm)	4	
5	Top plate	805*365mm(625mm)	1	MFC/PVC edge banding
6	bottom plate	805*365mm(625mm)	1	MFC/PVC edge banding
7	Accessory Package	Various specifications		Various materials

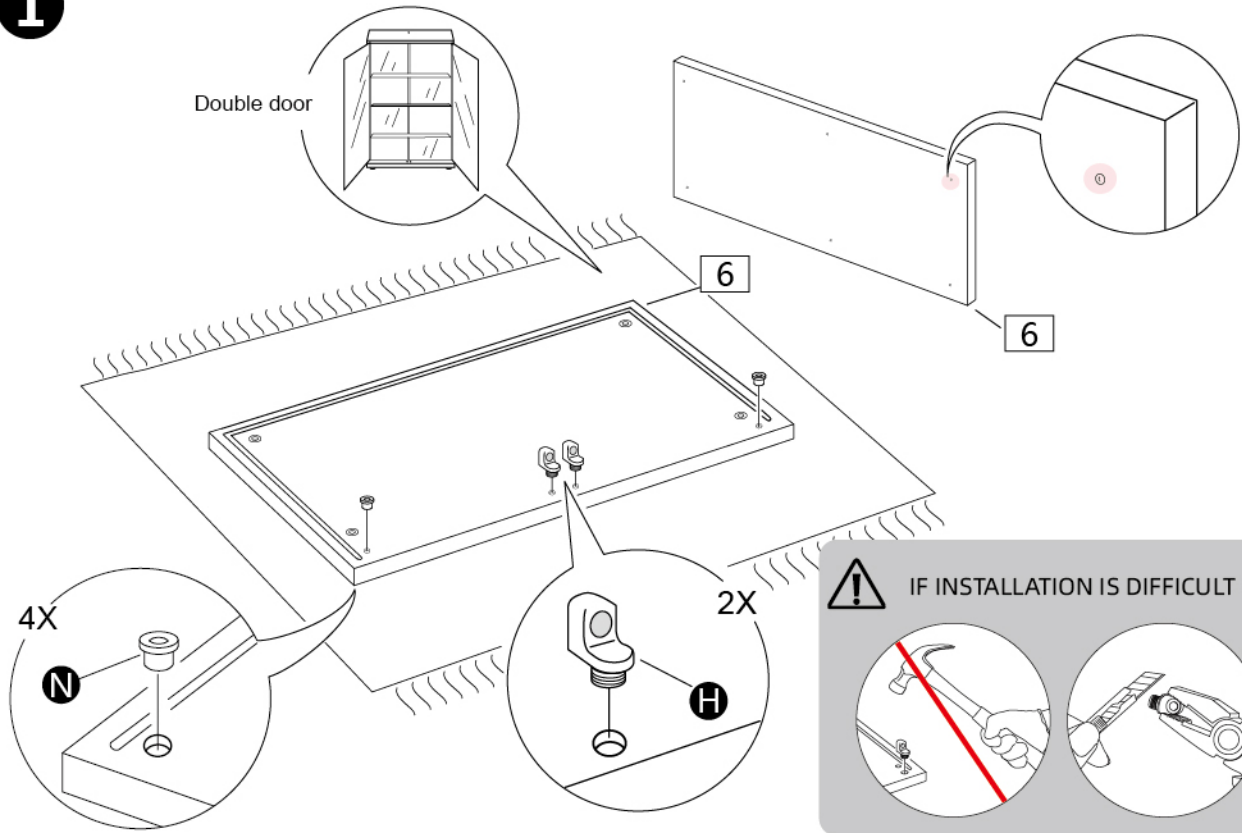
 Product dimensions may have an error with 10mm due to the usage of different measuring tools or methods.

1	2	3	4
 1820*390*4 mm	 1820*345*4 mm	 1799*387*5 mm	 382*315*4mm
Back glass / x2	Side glass / x2	Door glass / x2	Shelf glass / x4
5	6	 GOOD TO KNOW ABOUT TEMPERED GLASS HANDLE WITH CARE! A DAMAGED EDGE OR SCRATCHED SURFACE CAN IN EXCEPTIONAL CASES CAUSE THE GLASS TO CRACK SUDDENLY. HOWEVER, NEVER INTO SHARP FRAGMENTS, ONLY INTO SMALL PIECES. AVOID COLLISIONS FROM THE SIDE - THIS IS WHERE THE GLASS IS MOST VULNERABLE.	
 1212*370*25mm Top panel / x1	 1212*370*25mm bottom panel / x1		

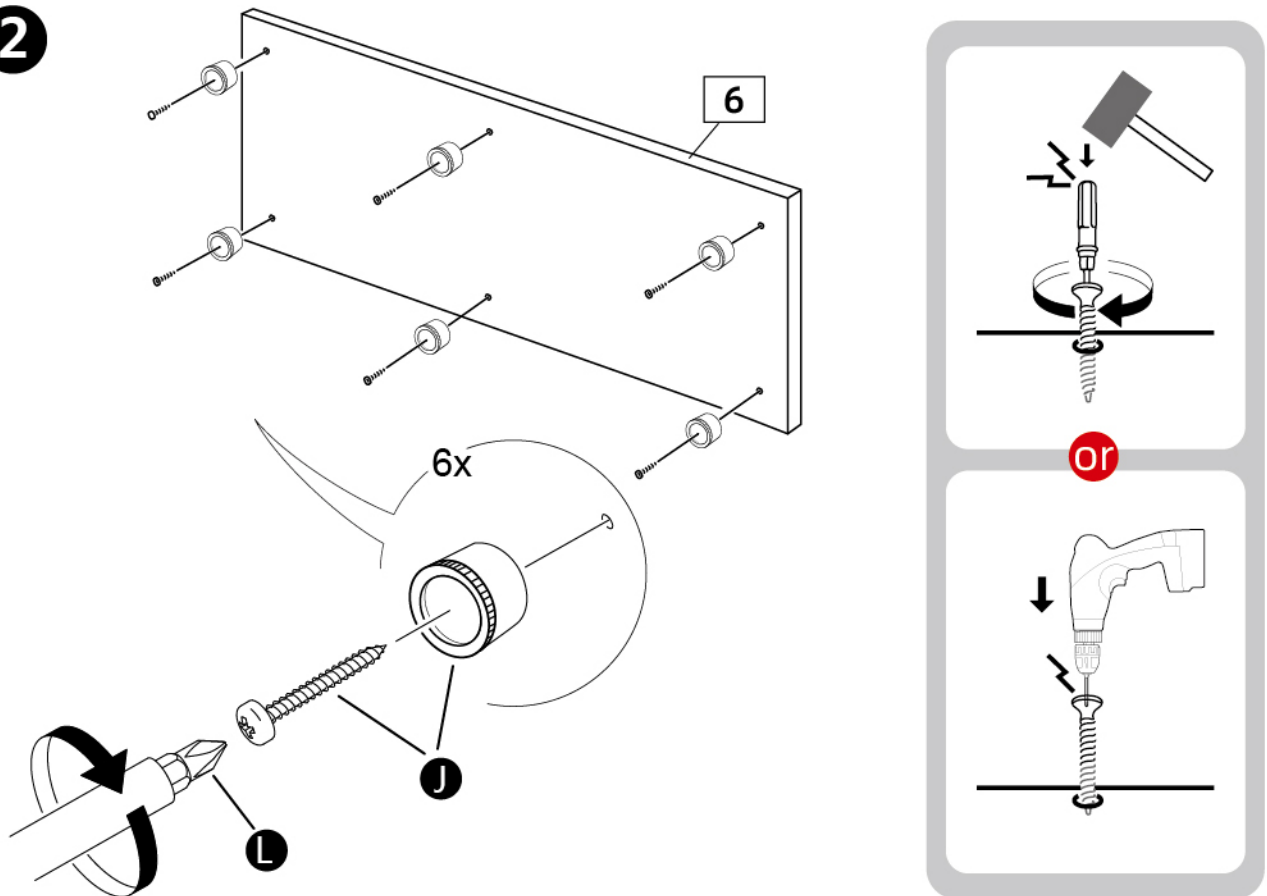
ASSEMBLY PARTS LIST

<p>A</p>  <p>ConnectorA / x8</p>	<p>B</p>  <p>ConnectorB / x8</p>	<p>C</p>  <p>Screw / x51</p>	<p>D</p>  <p>Nut / x40</p>
<p>E</p>  <p>Gasket(white) / x82</p>	<p>F</p>  <p>lock / x1</p>	<p>G</p>  <p>Washer(black) / x40</p>	<p>H</p>  <p>Door stopper / x2</p>
<p>I</p>  <p>Anti-tipping device / x1</p>		<p>J</p>  <p>Anchor / x6</p>	
<p>K</p>  <p>Glove / x2</p>	<p>L</p>  <p>Screwdriver / x1</p>	<p>M</p>  <p>Door stopper / x2</p>	
<p>N</p>  <p>Door clip set / x2</p>		<p>W</p>  <p>Horn guard / x2</p>	

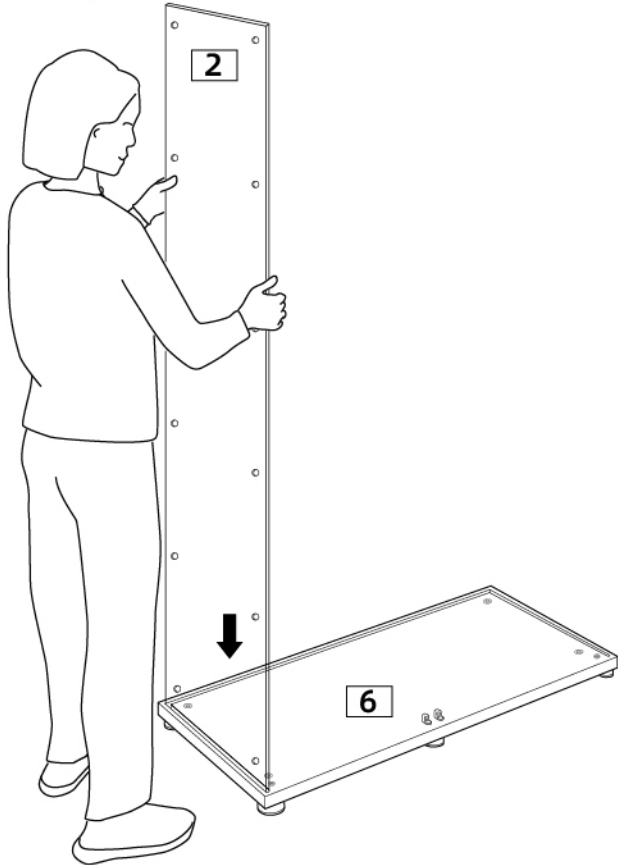
1



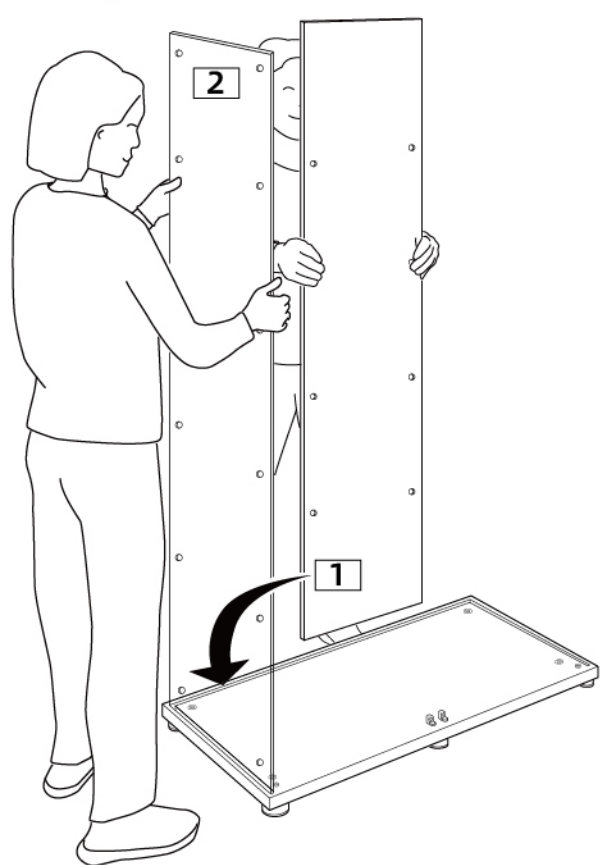
2



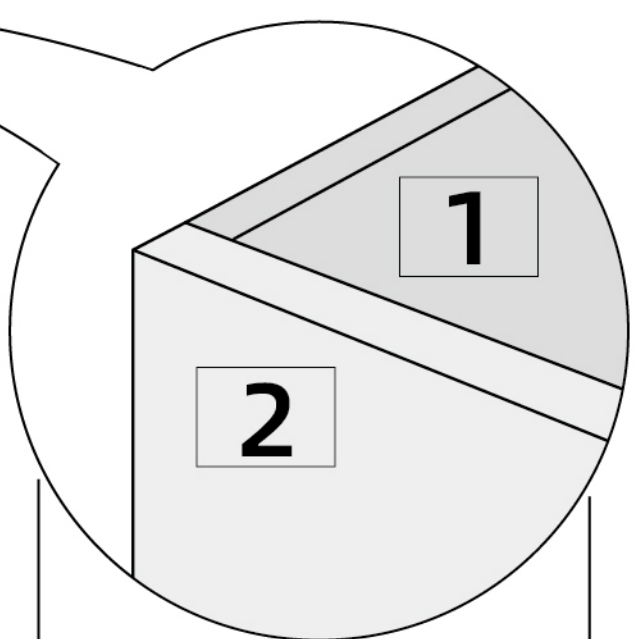
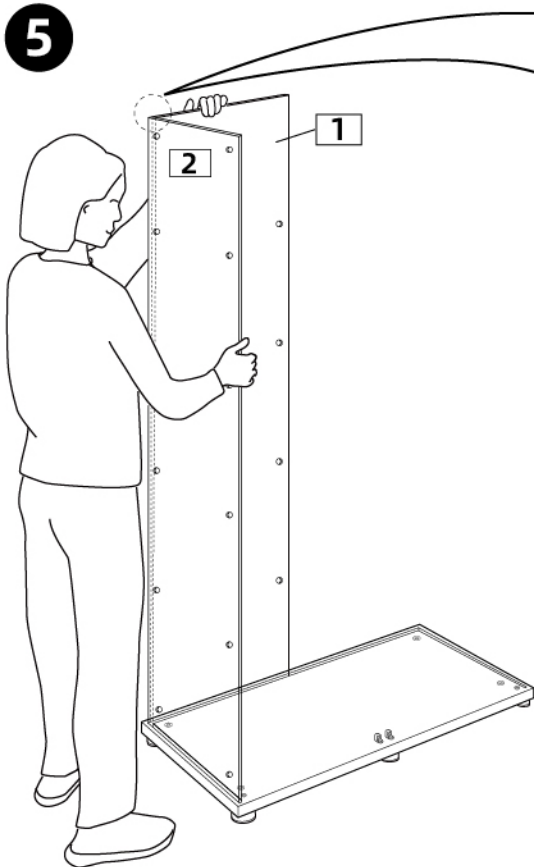
3



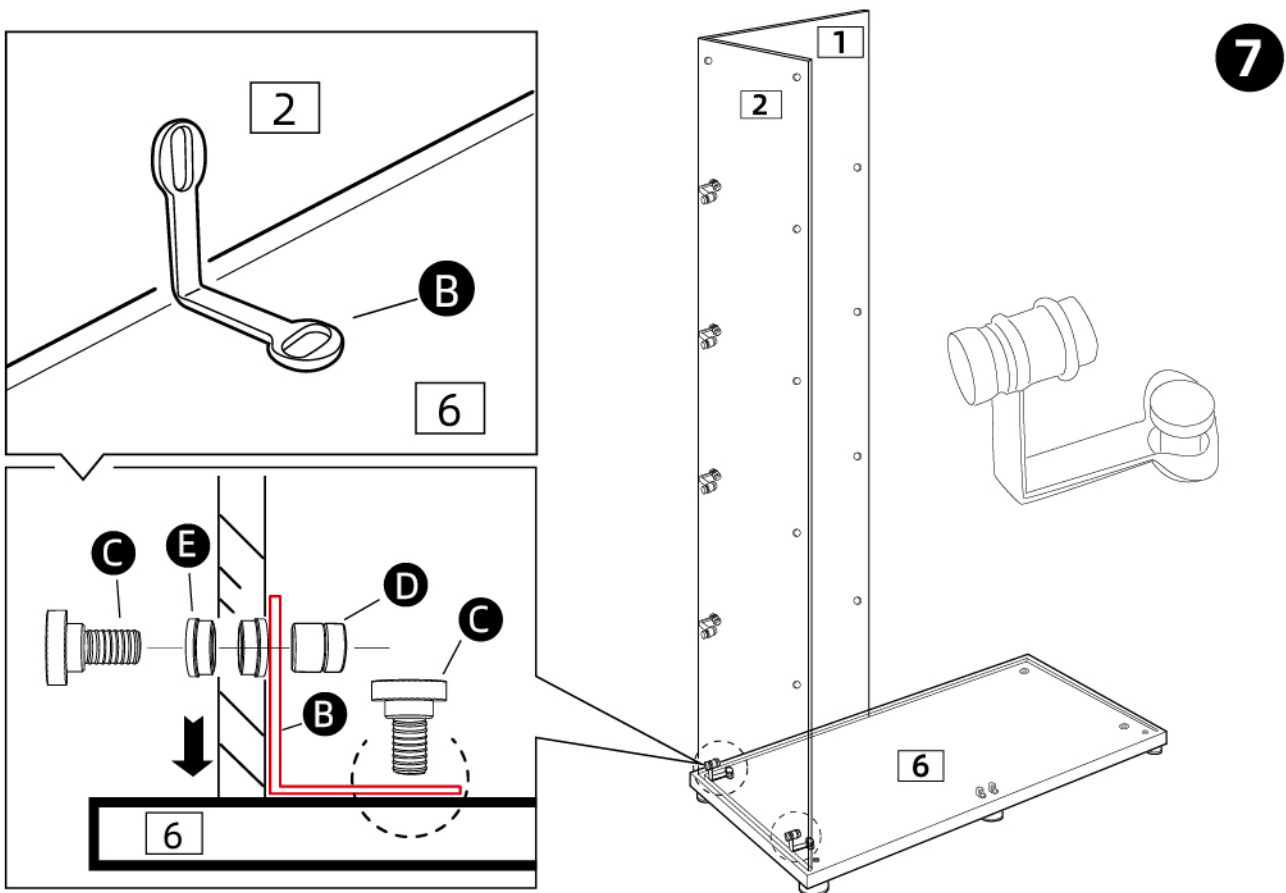
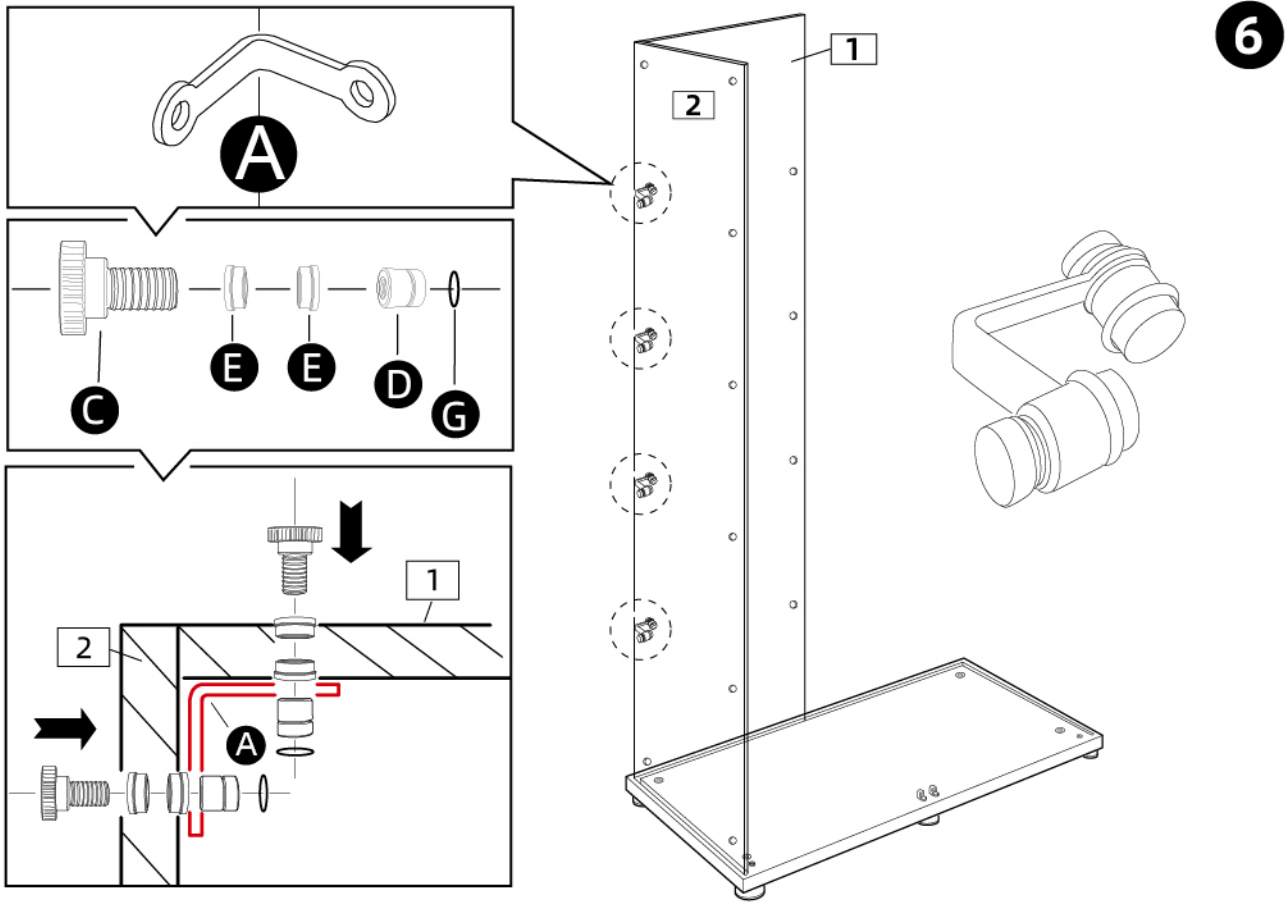
4



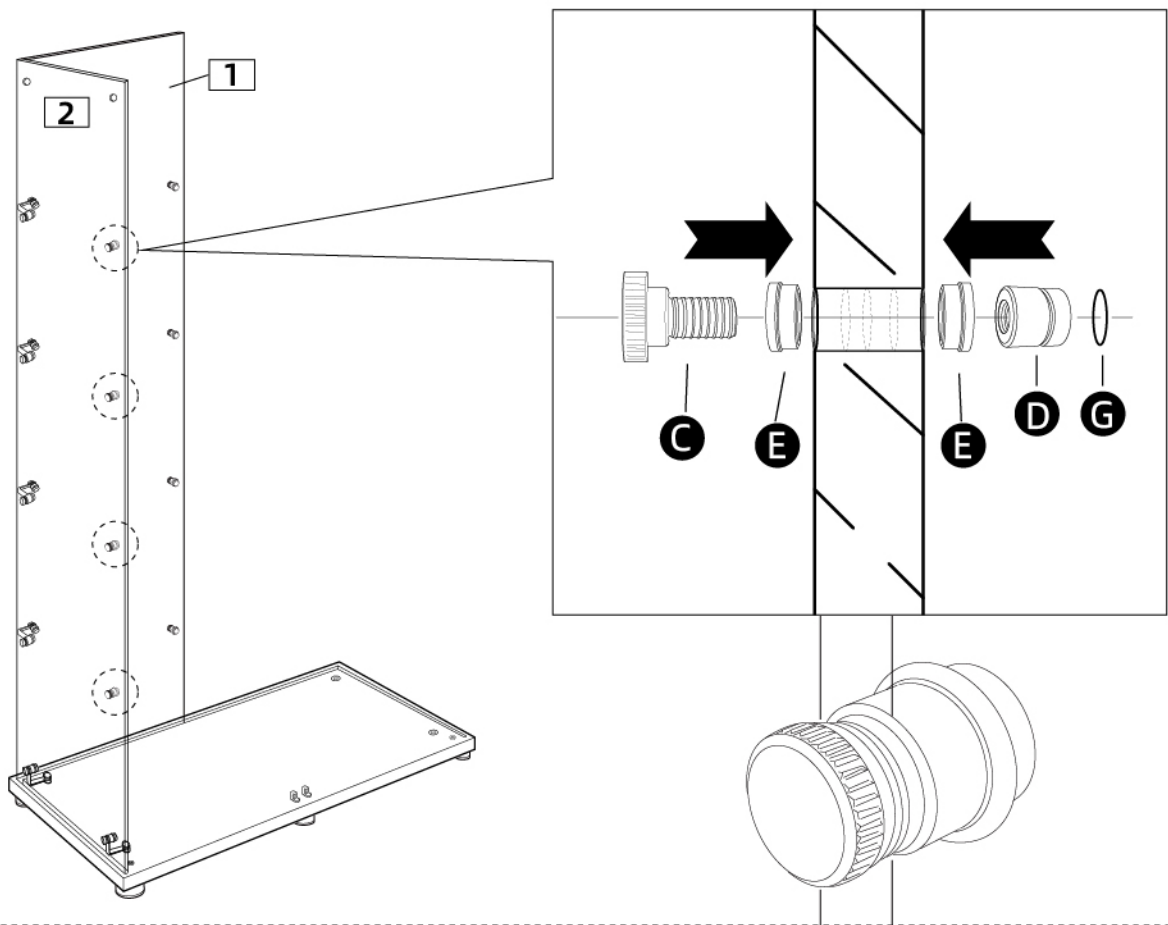
5



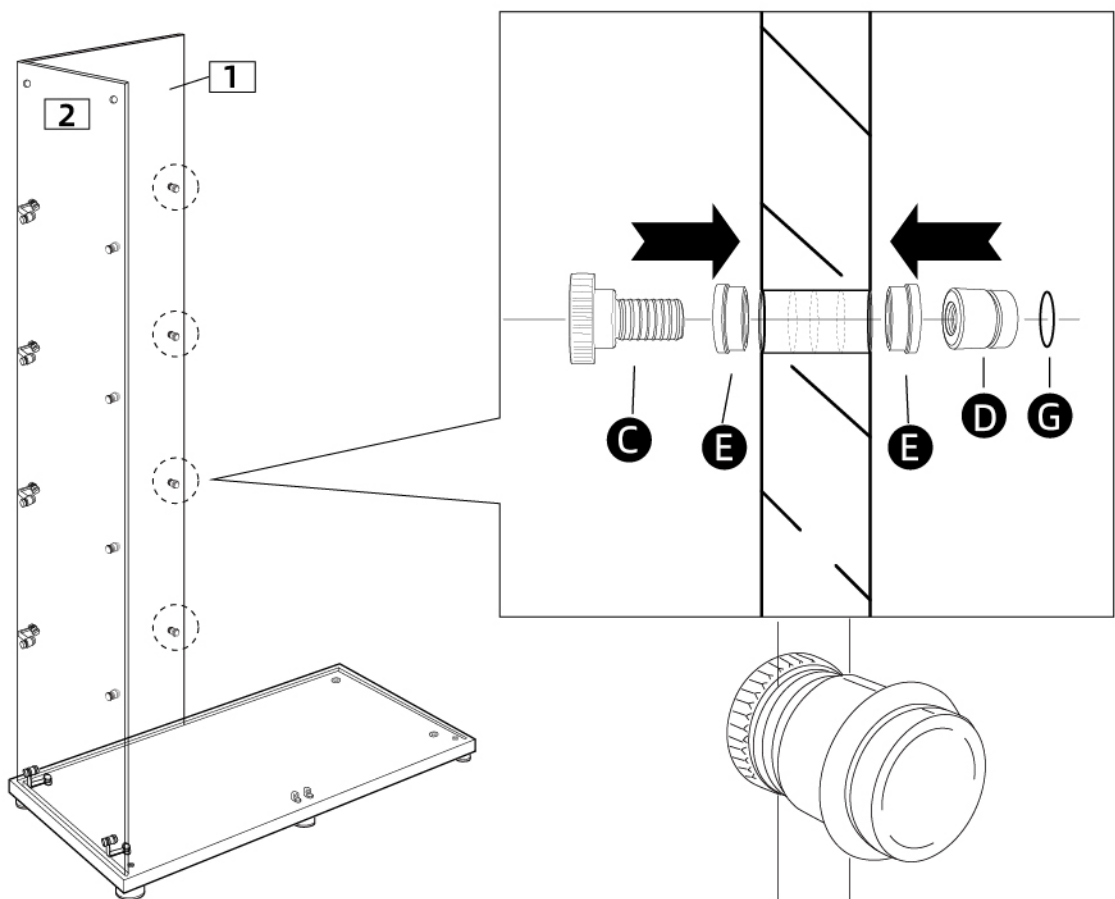
- When installing, please start from one side;
- The installation sequence of tempered glass is **2-1-1-2**;
- Please fill the bottom plate slot with tempered glass No.2 and push it to the innermost position;



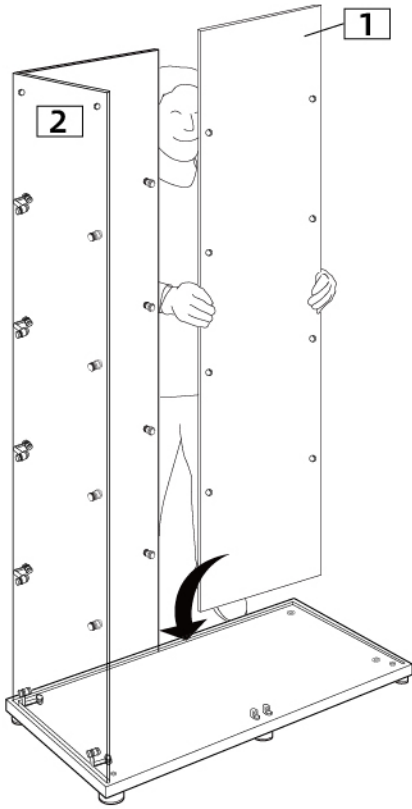
8



9



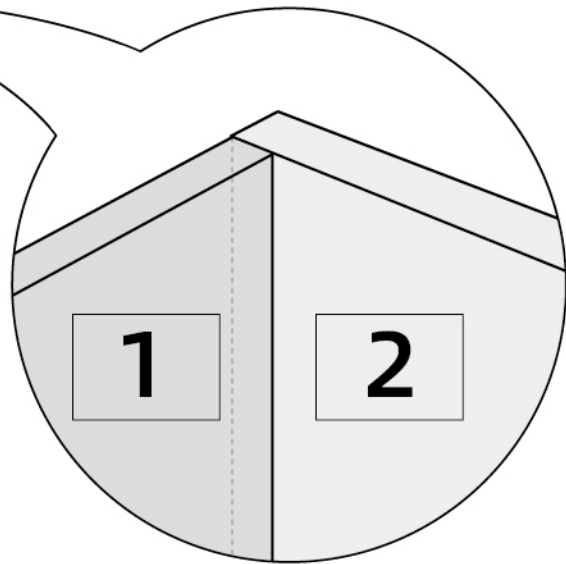
10



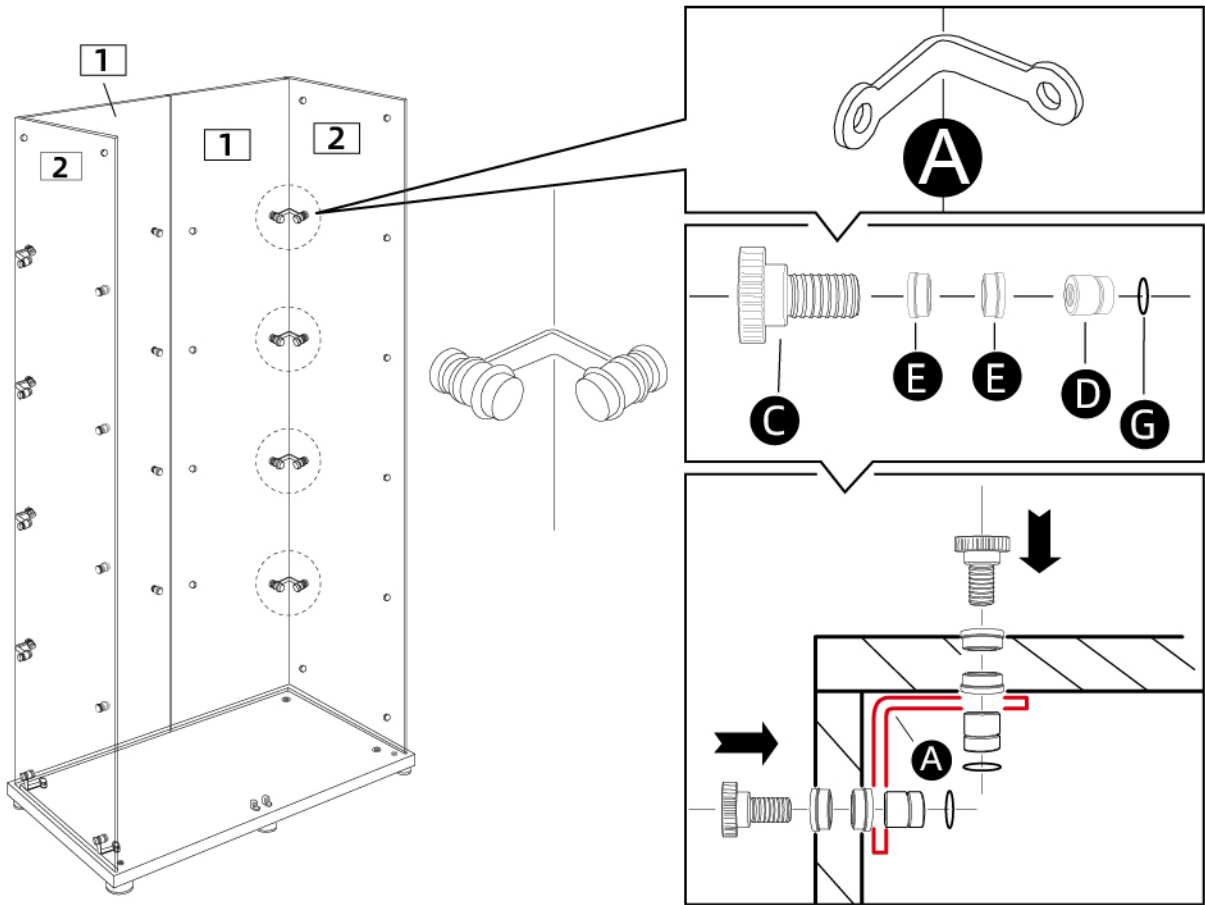
11



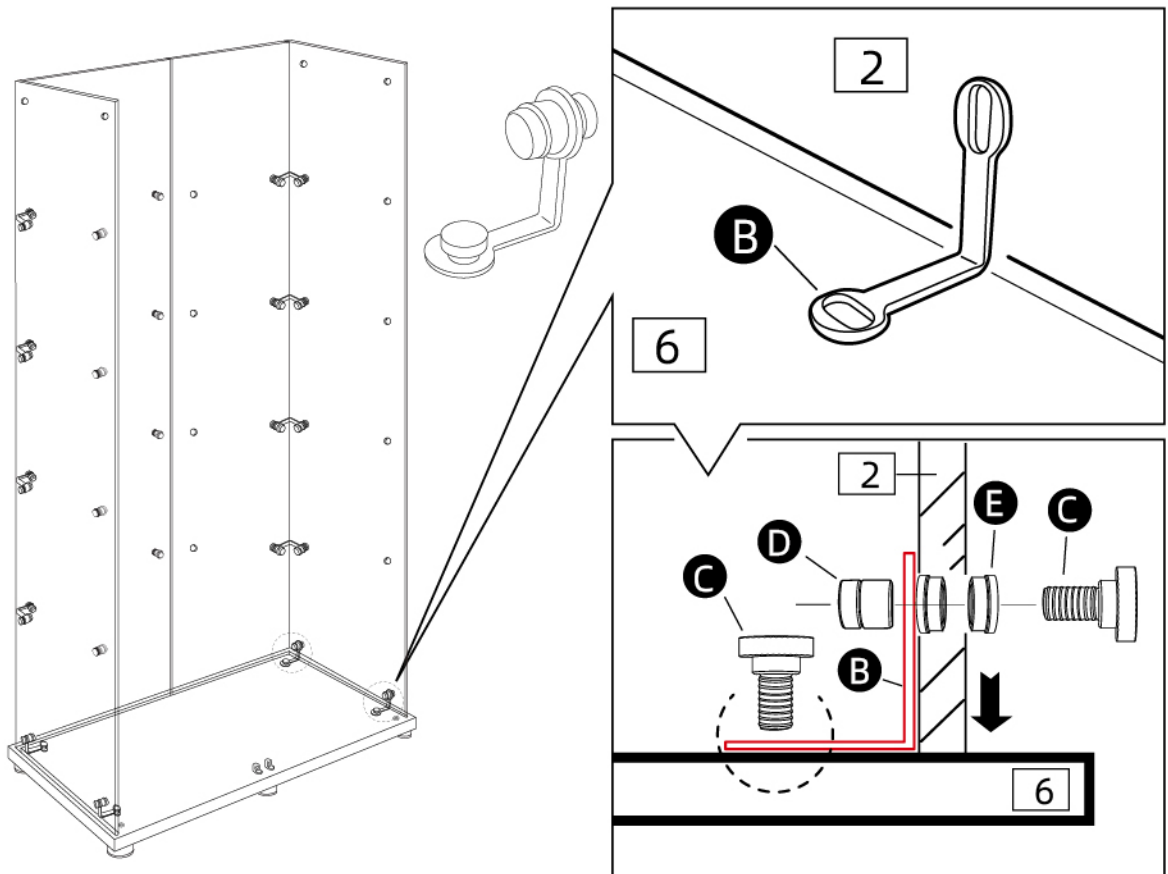
12



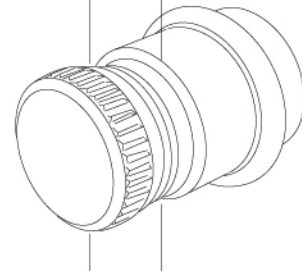
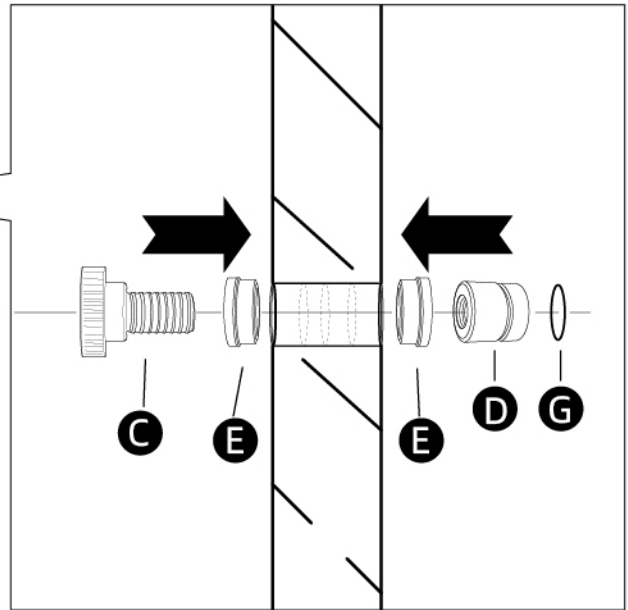
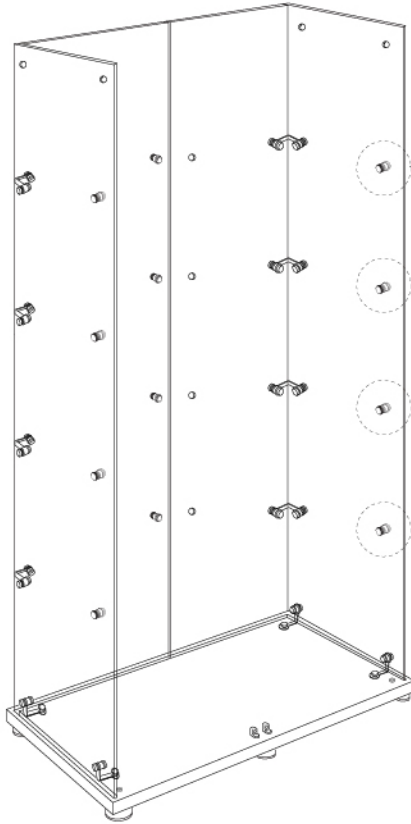
13



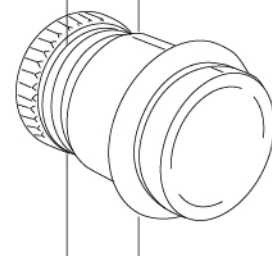
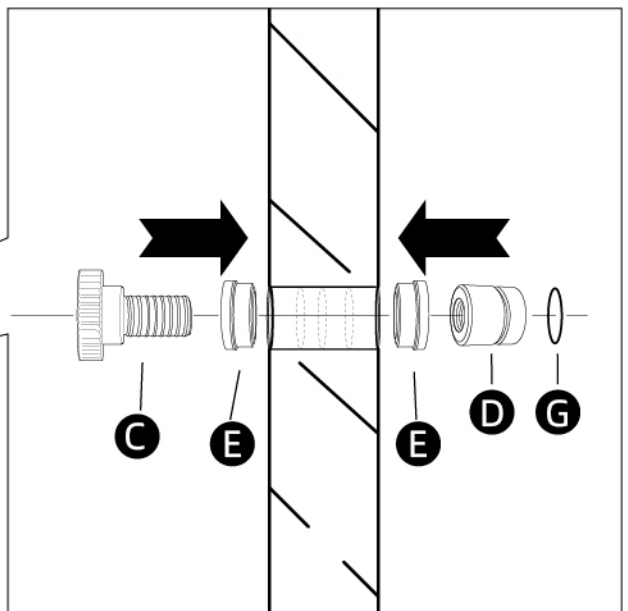
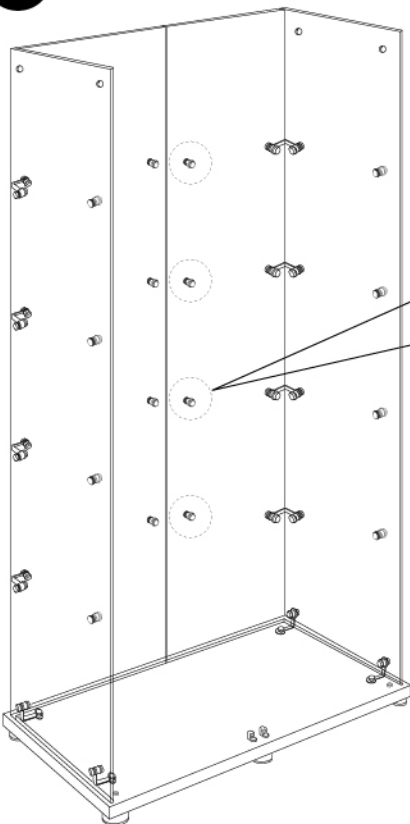
14



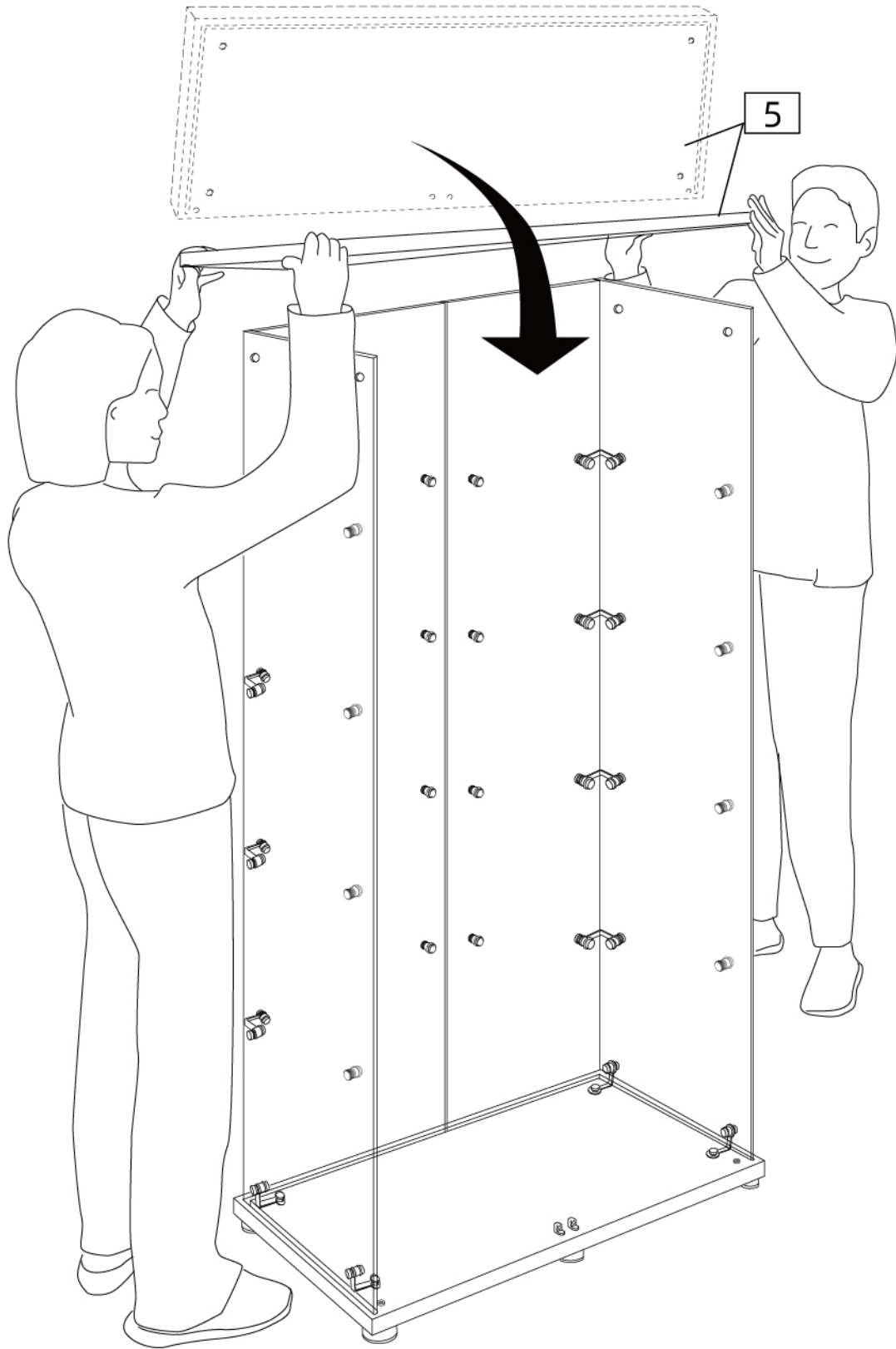
15

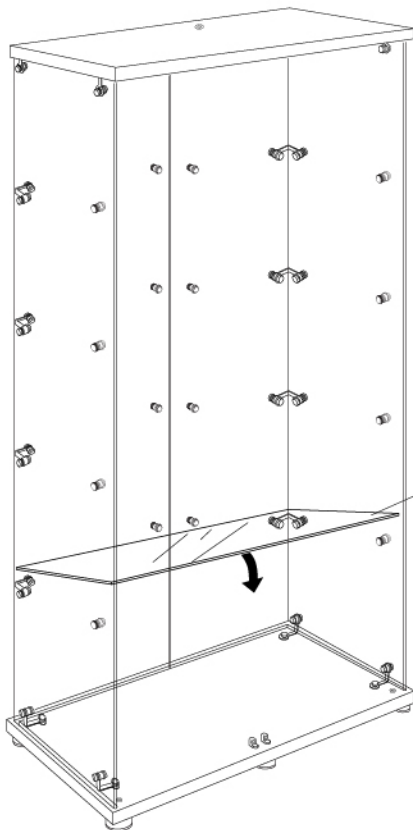
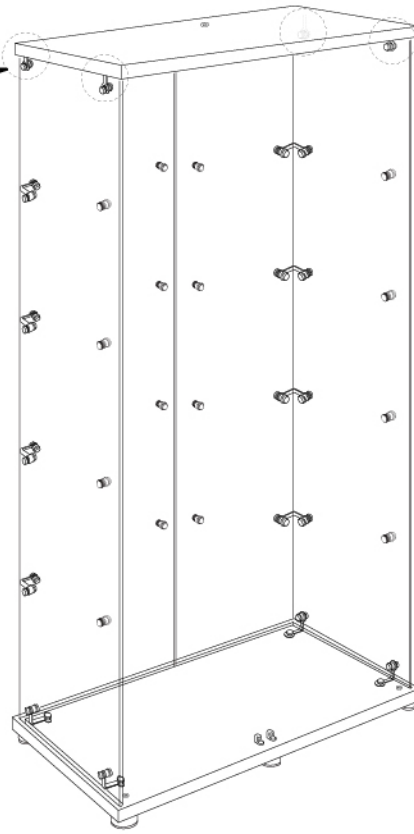
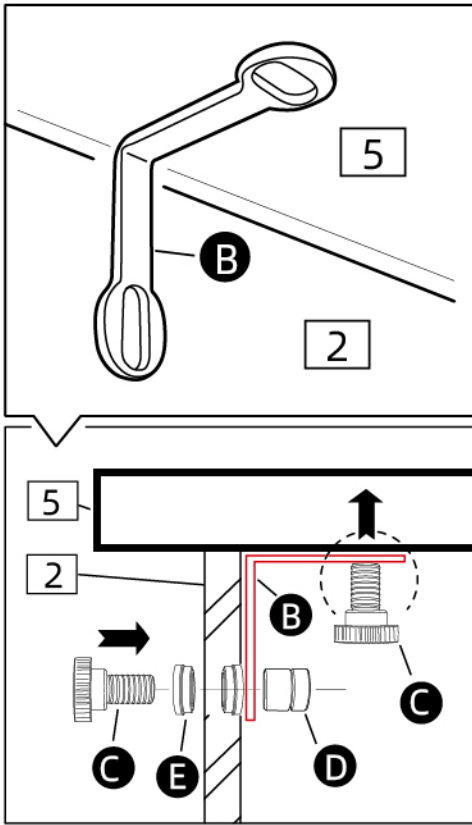


16

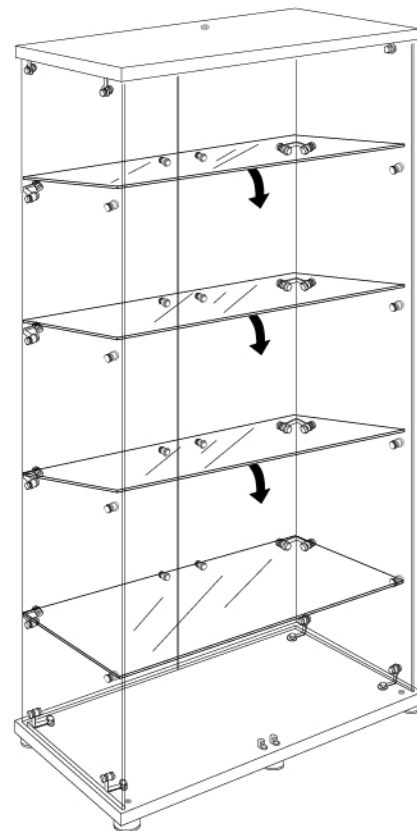


17

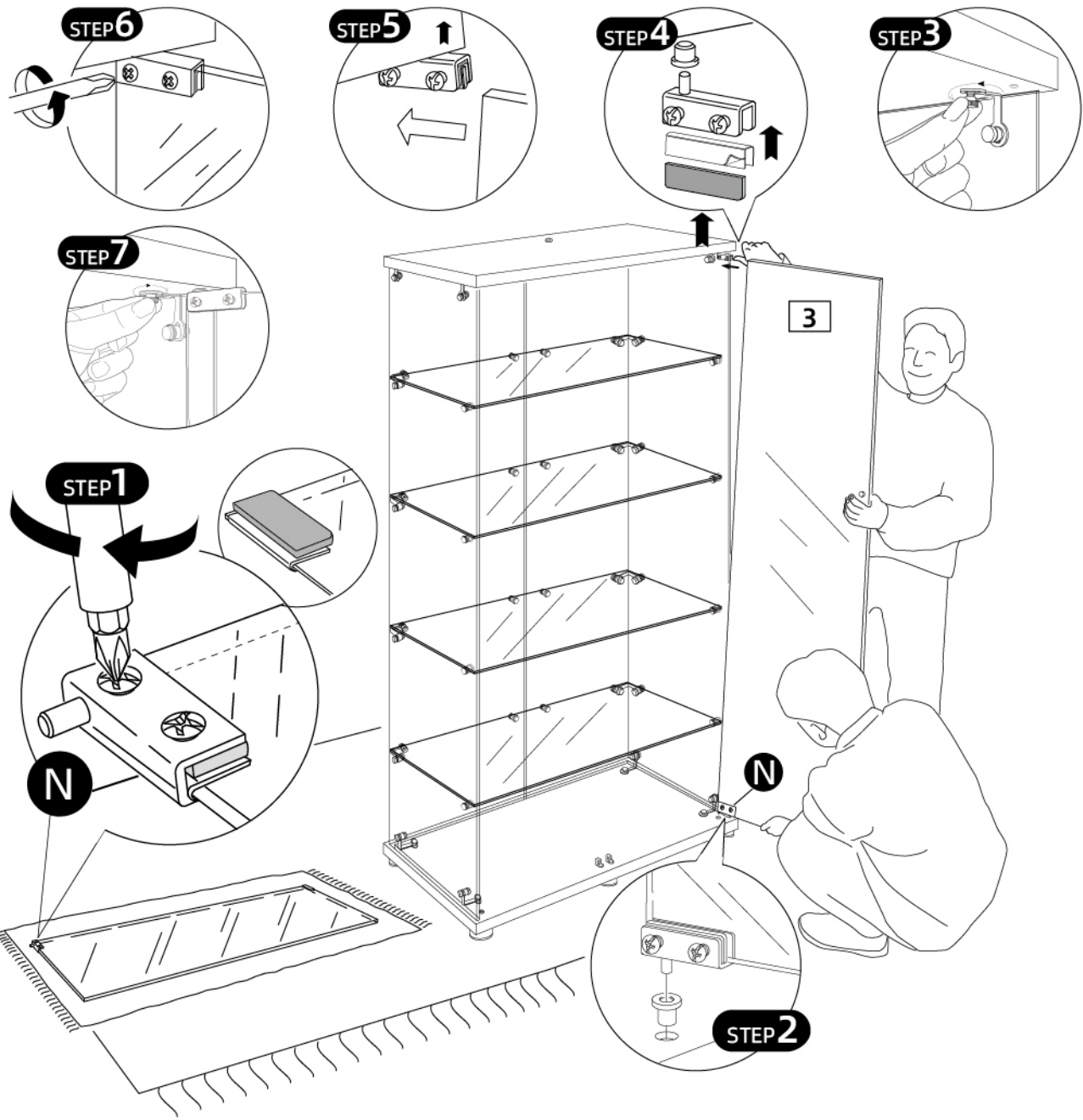
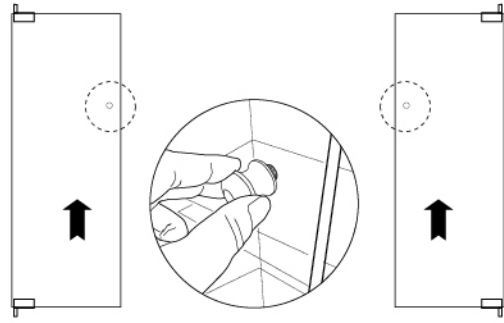
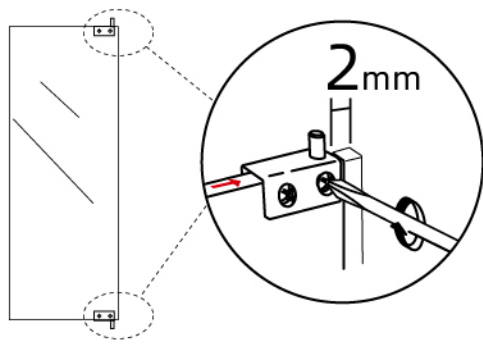




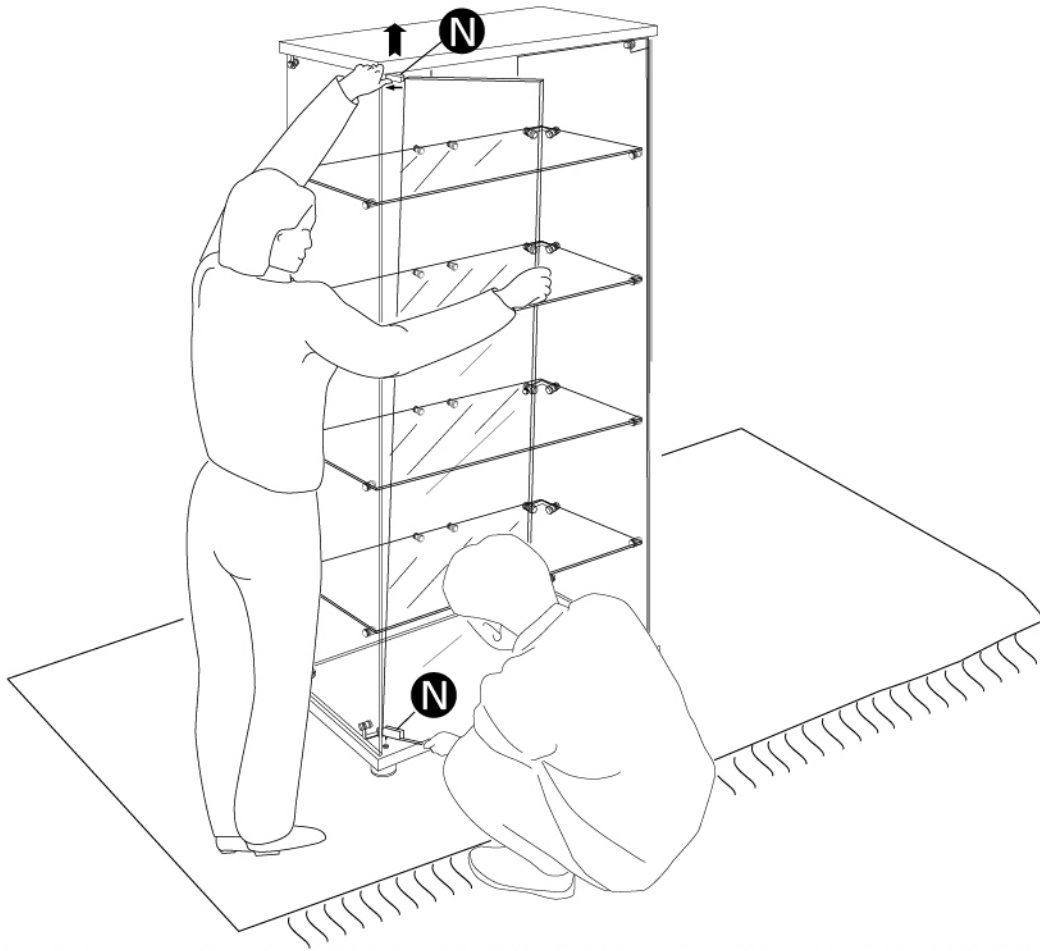
4



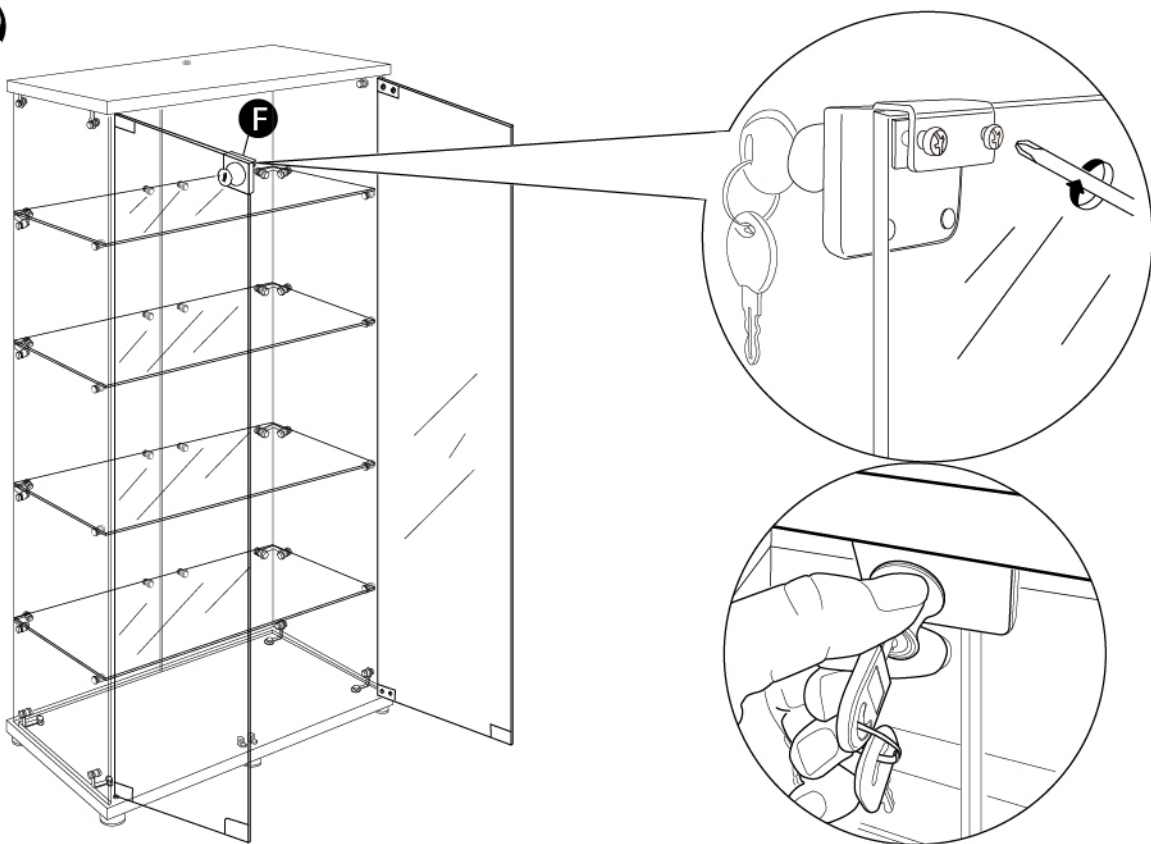
20



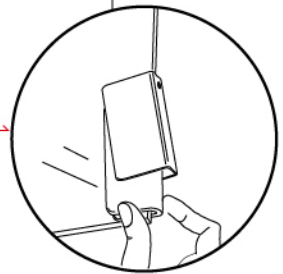
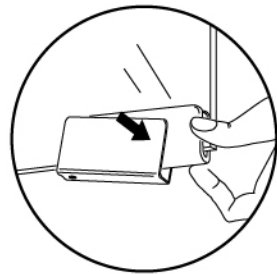
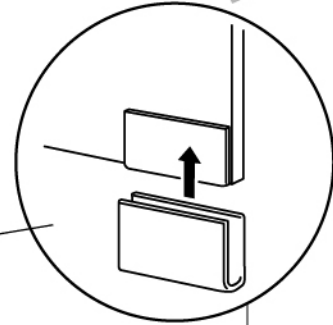
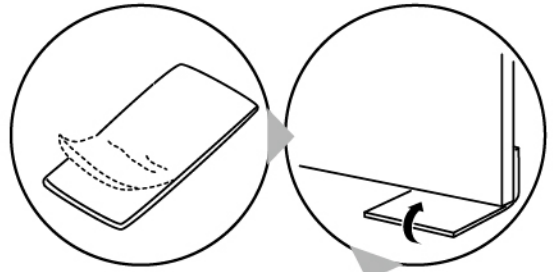
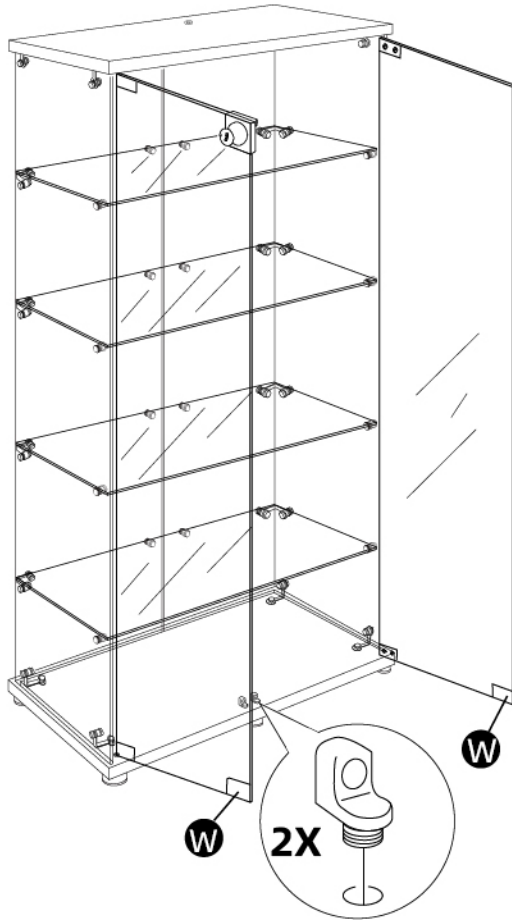
21



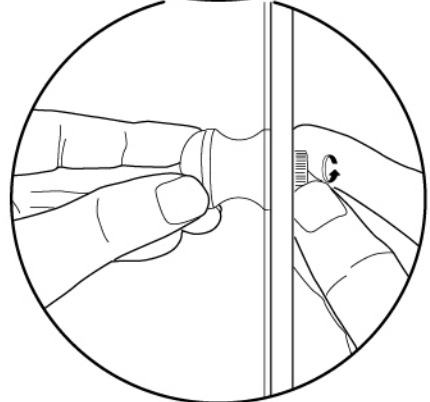
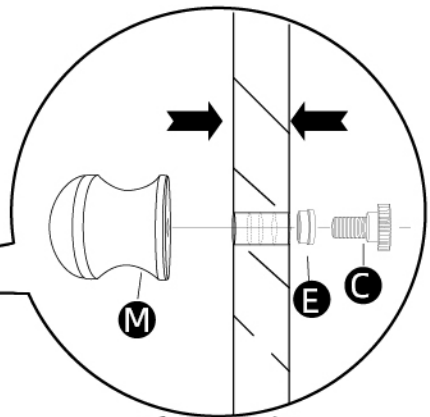
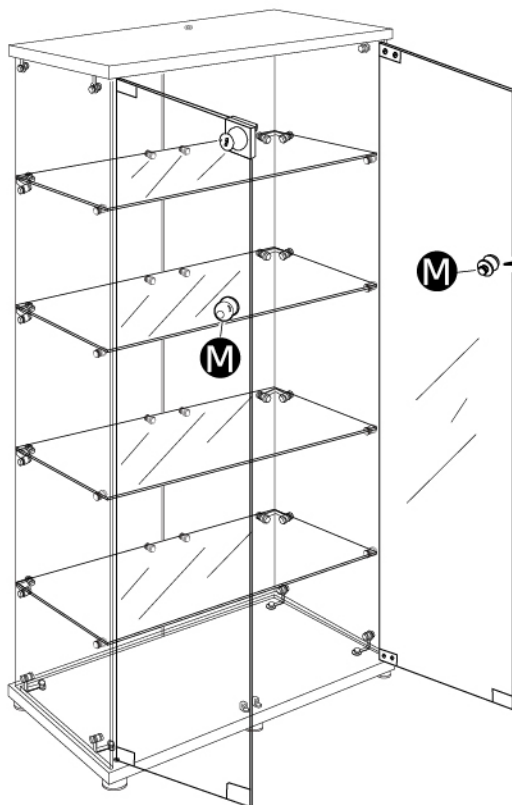
22



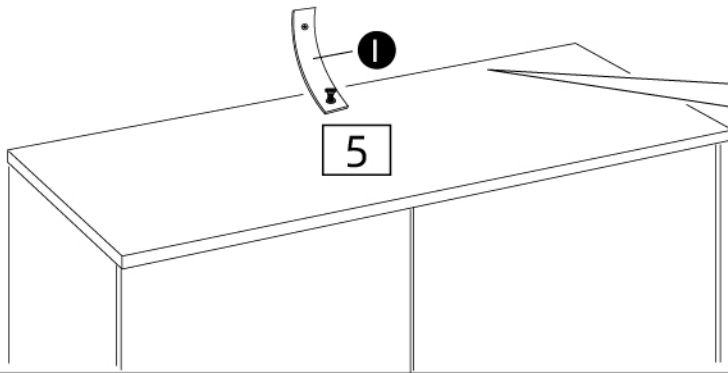
23



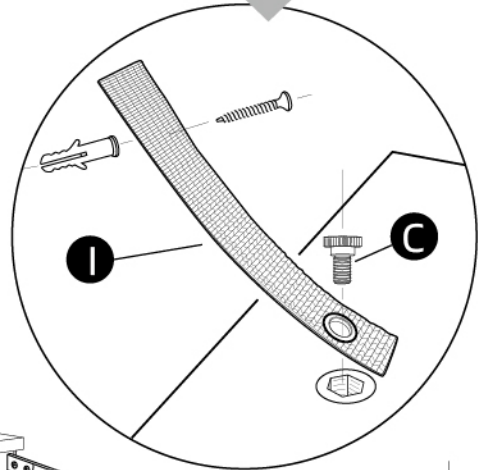
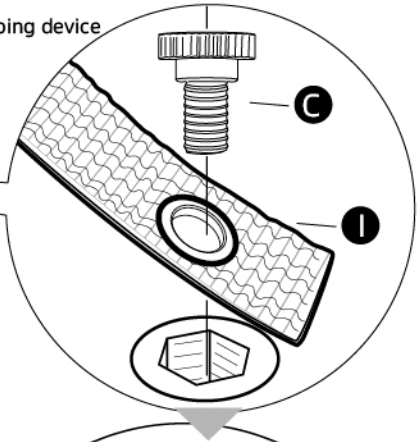
24



25



Anti-tipping device



WARNING

Serious or fatal crushing injuries can occur from furniture tip-over.
To prevent this furniture from tipping over it must be permanently fixed to the wall.

