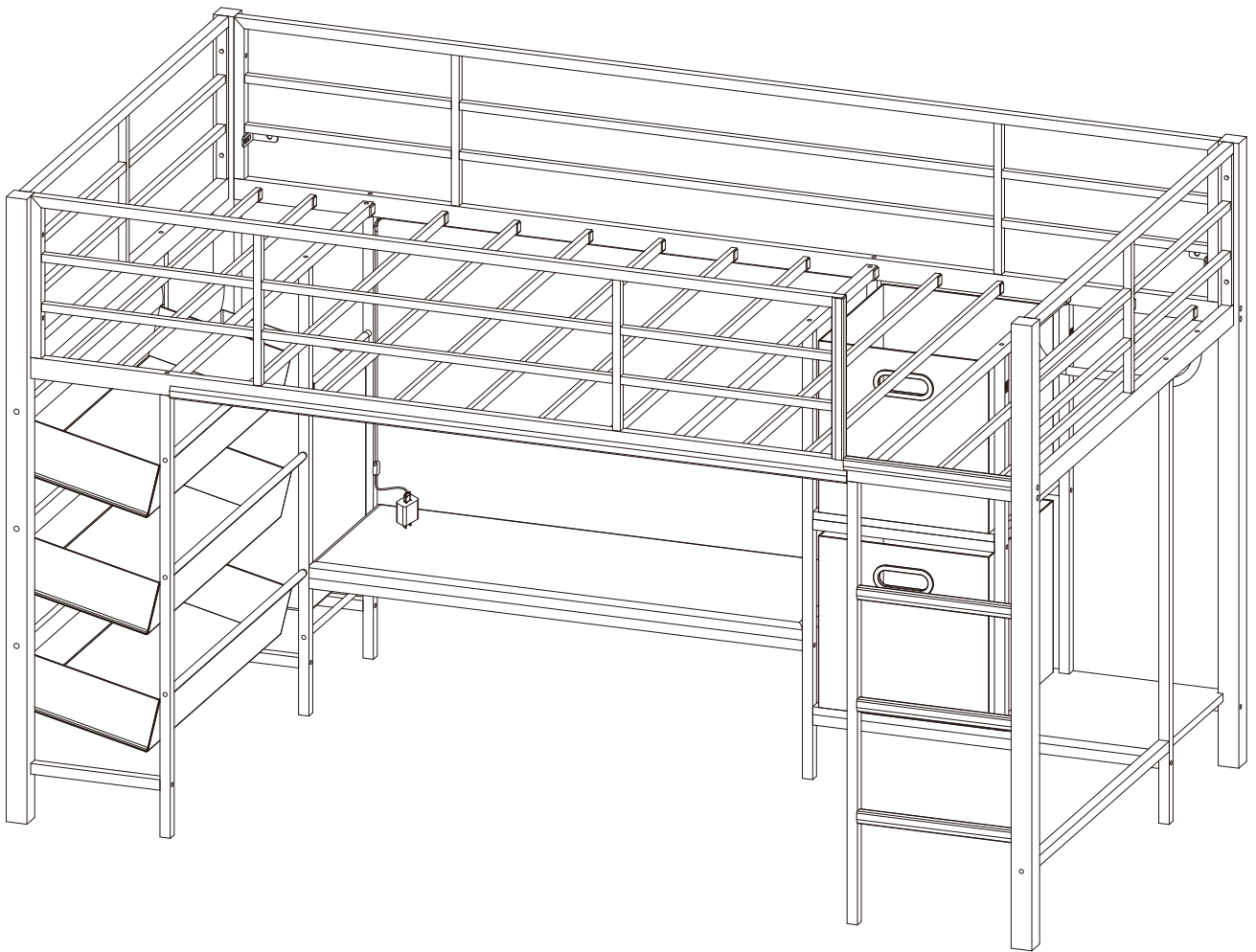


Loft Bed



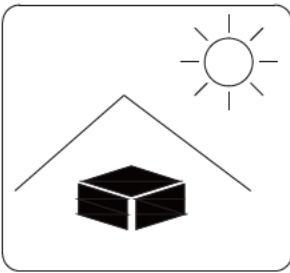
Package Contents

Plates and iron components

Assembly tool kit

Instruction manual

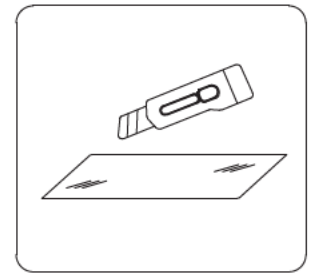
Precautions



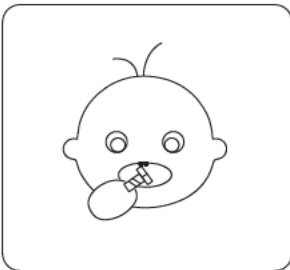
1. Avoid long-term direct sunlight exposure



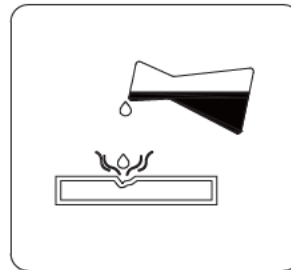
2. Stay away from fire



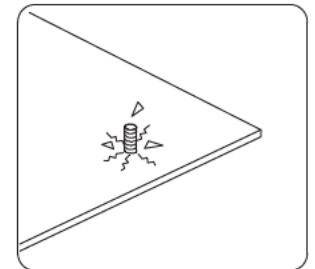
3. Keep away from sharp objects



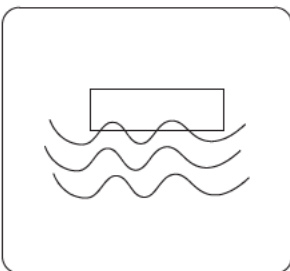
4. Keep infants/children away from assembly parts to avoid choking and suffocation.



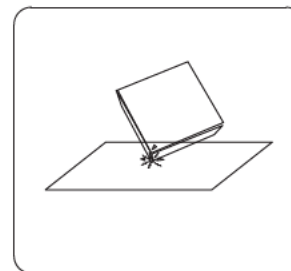
5. Keep away from corrosive substances



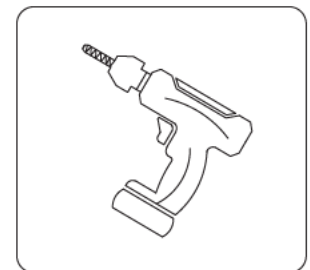
6. Please use the correct screws, otherwise the plate will be damaged.



7. Prevent objects from being damaged by immersion in water



8. Prevent object collision and damage



9. An electric drill is recommended for installation

Problems You May Encounter

PART	PROBLEM	SOLUTION
whole Product	Parts are missing, defective or having wrong parts in package.	You can contact us and we will get back to you within 24 hours
	Having issue(s) while reading the instruction or completing the assembly.	Feel free to contact us and we will get back to you within 24 hours.
	Encountering non-human caused damage during usage.	If the product is damaged due to non-human causes, please keep the product and send us photos of it. We will ascertain the cause of the product damage within 48 hours and provide you with a satisfactory solution.
Table Surface	Board Surface is broken, scratched or lack of some screw holes.	Feel free to contact us and we will get back to you within 24 hours.
	The screw holes on the wooden board and other wooden boards are not aligned.	<ol style="list-style-type: none"> 1. Please tighten the screws on the board by 70%, do not tighten completely. 2. Adjust the wooden board and board. Until the holes are arranged neatly, then tighten all screws
	Desktop misalignment and unevenness	<ol style="list-style-type: none"> 1. Please tighten the screws connecting the table board to the elevator by 70%, do not tighten them completely. 2. Adjust to a flat and aligned desktop, then tighten the screws. 3. If your problem still can't be solved, please feel free to contact us.
Metal accessories	Metal accessories are damaged, rusted, bent, and broken.	Feel free to contact us and we will get back to you within 24 hours.
	The table is unstable after being assembled.	<ol style="list-style-type: none"> 1. Check if the screws are tightened. 2. Read throughout the manual, check if there are any parts installed incorrectly or some parts are missed to be installed. 3. If the problem still can't be solved, please feel free to contact us.
	Encountering non-human caused damage during usage.	If the product is damaged due to non-human causes, please keep the product and send us photos of it. We will ascertain the cause of the product damage within 48 hours and provide you with a satisfactory solution.

HARDWARE LIST



A
M6*25mm
x4



B
M6*40mm
x2



C
M6*25mm
x6



D
M6*28mm
x12+1



D1
M6*35mm
x6



E
M6*40mm
x39+3



F
M6*60mm
x19+1



G
M8*60mm
x8



H
M8*55mm
x2

I
Ø18*9mm
x74+7



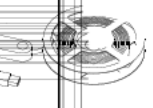
J
M4
x1



K
x1



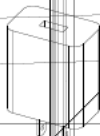
L
x2



M
x1



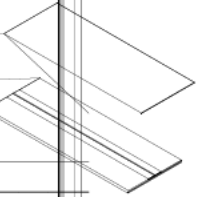
N
x1



O
x1



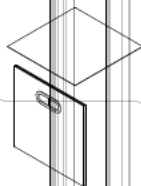
P
x3



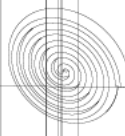
Q
x3



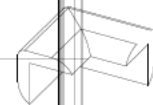
R
x1



S
x2

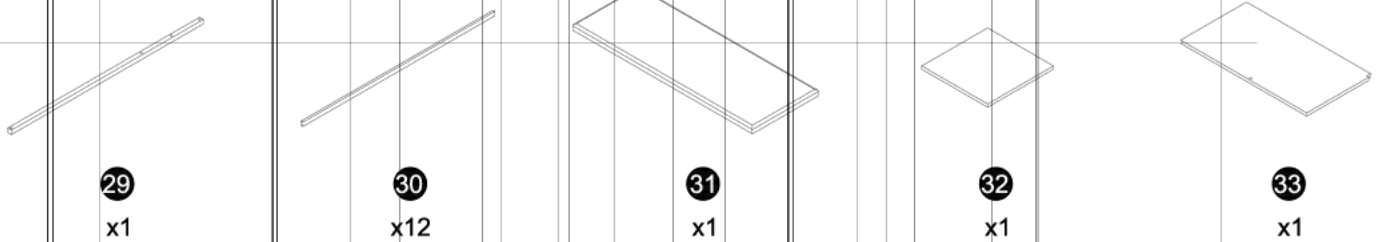
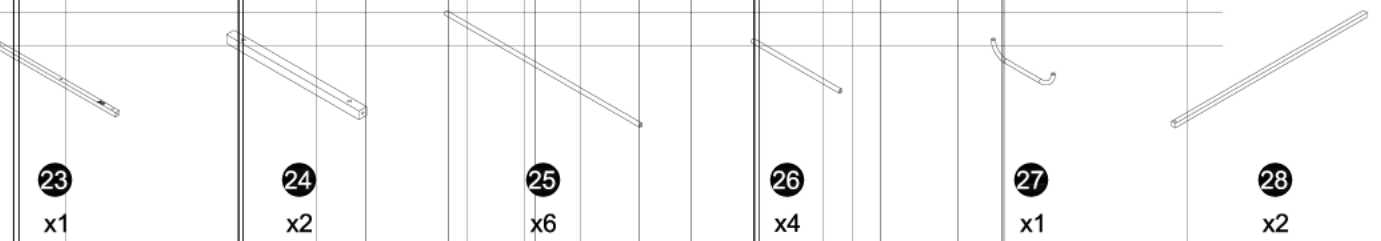
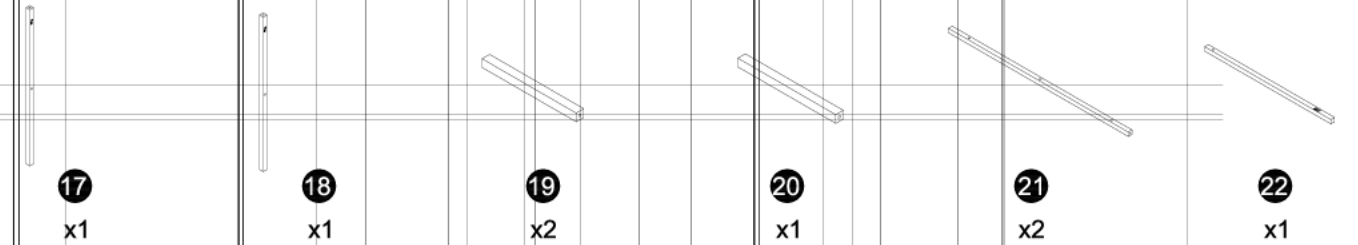
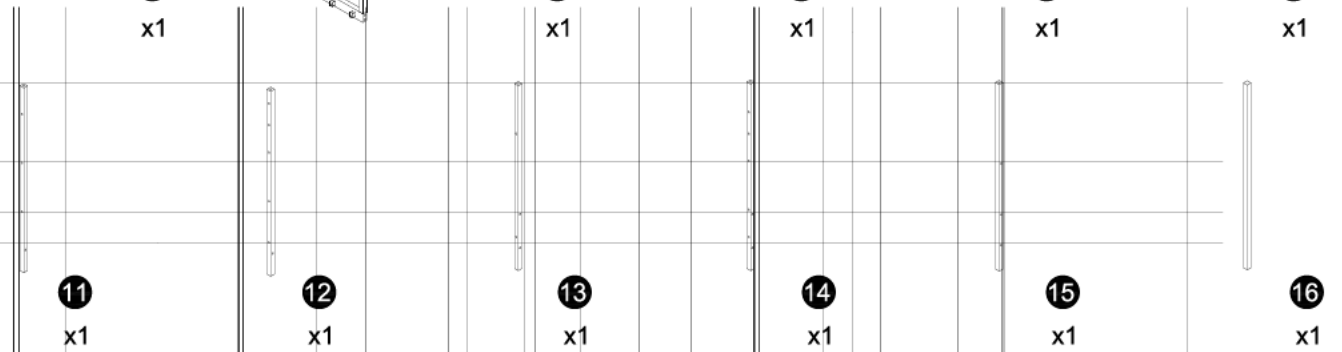
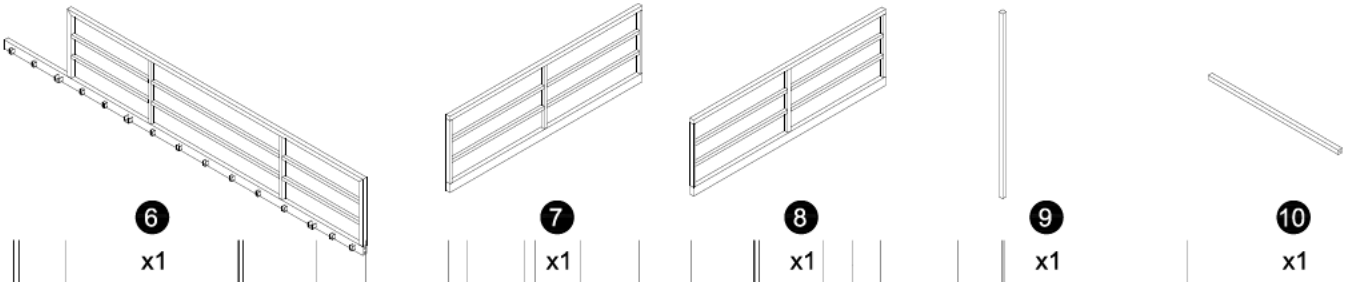
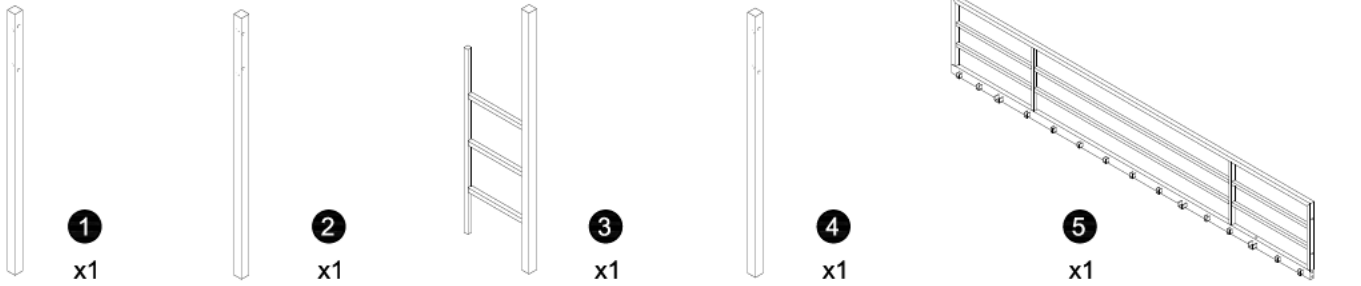


T
x1



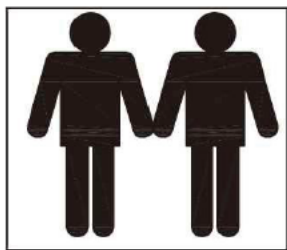
U
x2

PARTS LIST



Note:

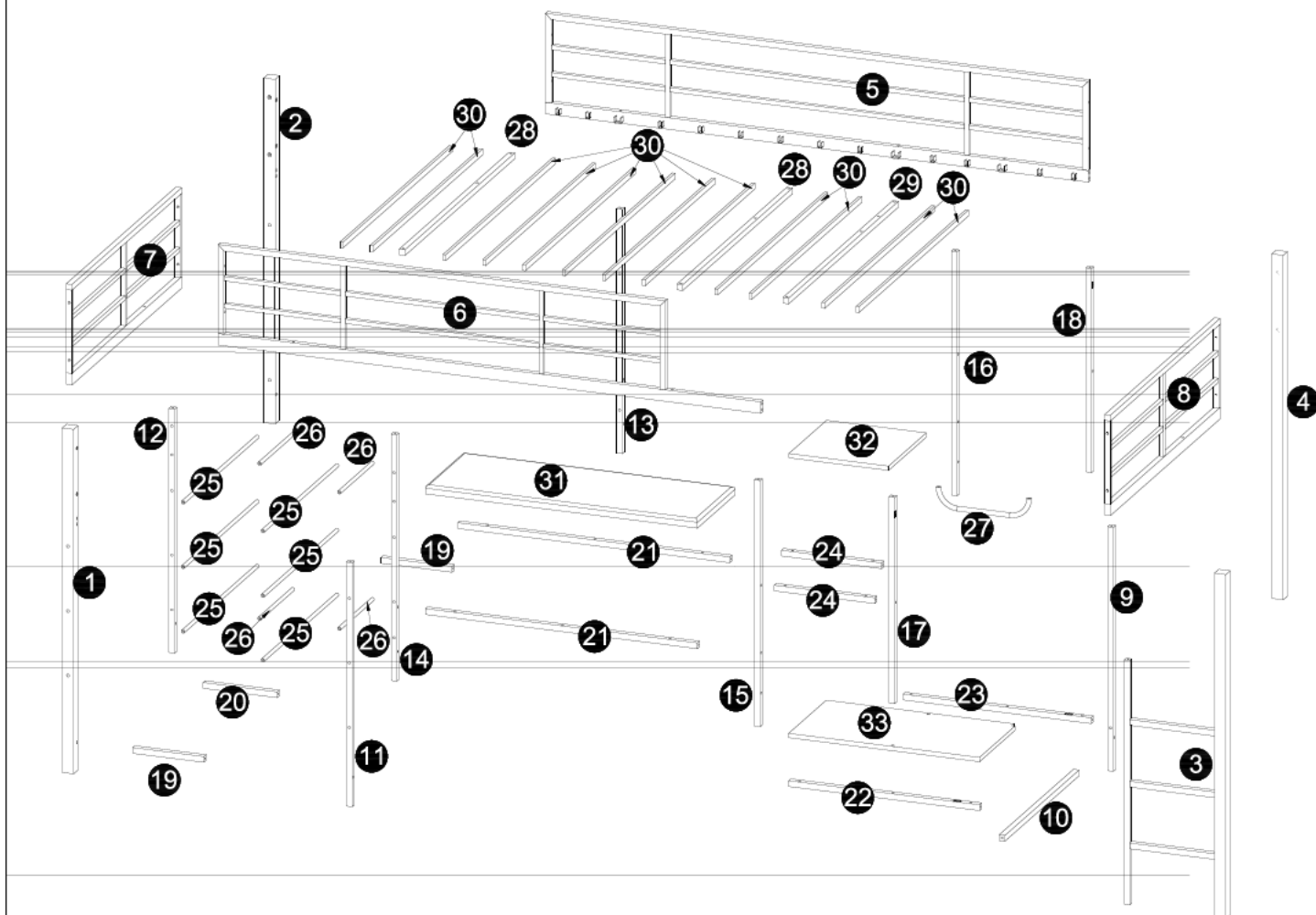
- 1. Should be assembled on flat ground to keep balance.**
- 2. Before completing the installation, do not tighten the screws.**



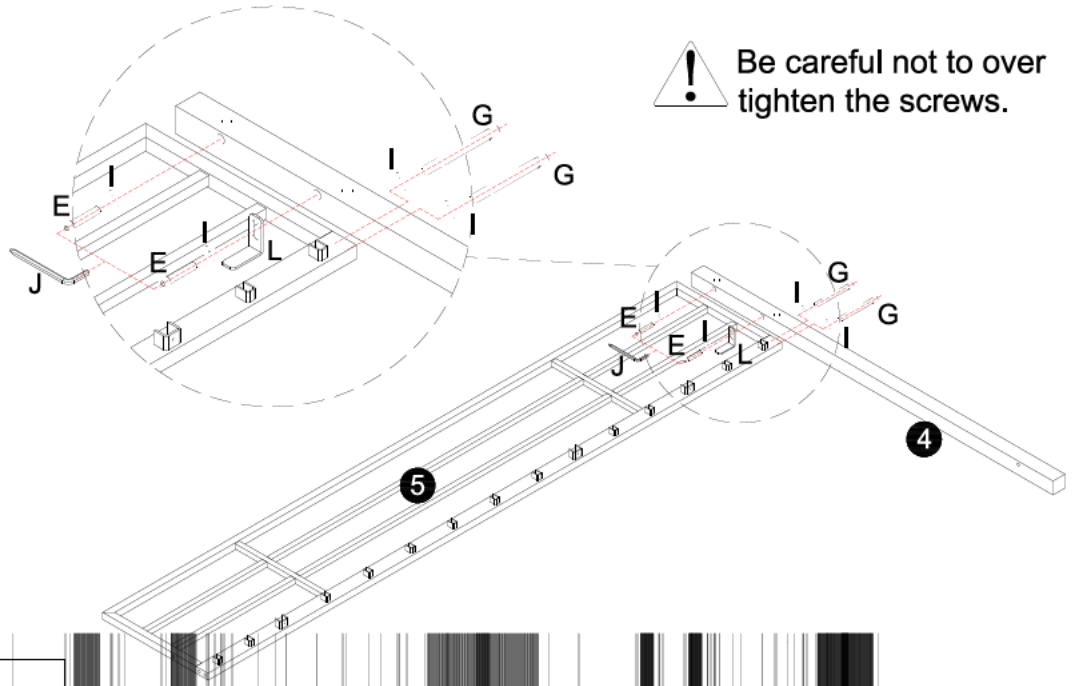
It needs at least two people to install.



Before starting the assembly, you must read the whole manual and follow the instructions



1



E M6*40mm



x2

G M8*60mm



x2

J M4



x1

I Ø18*9mm



x4

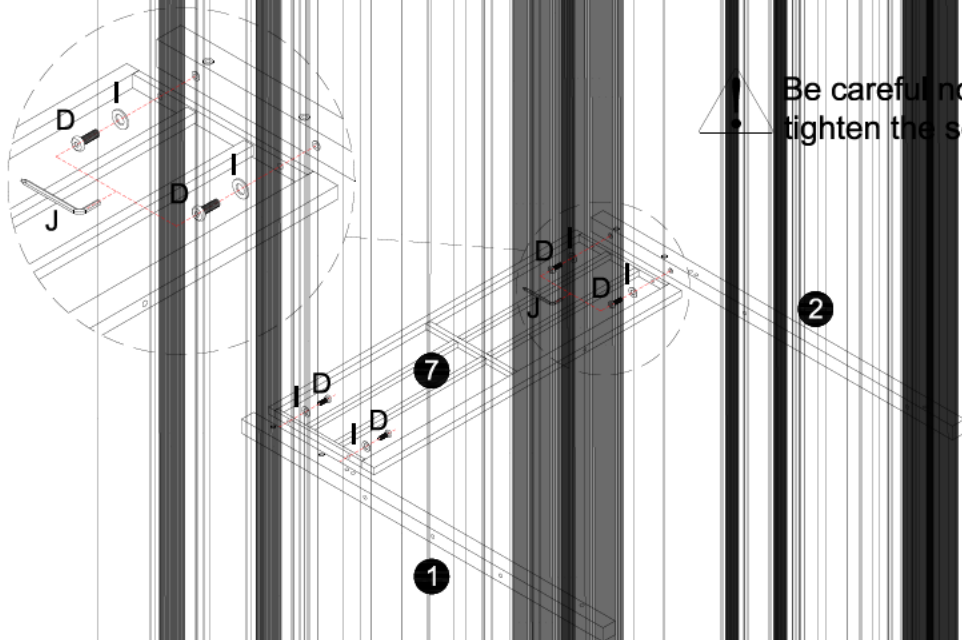
L



x1

Please pay attention to the installation direction of the parts

2



D M6*28mm



x4

I Ø18*9mm



x4


J M4

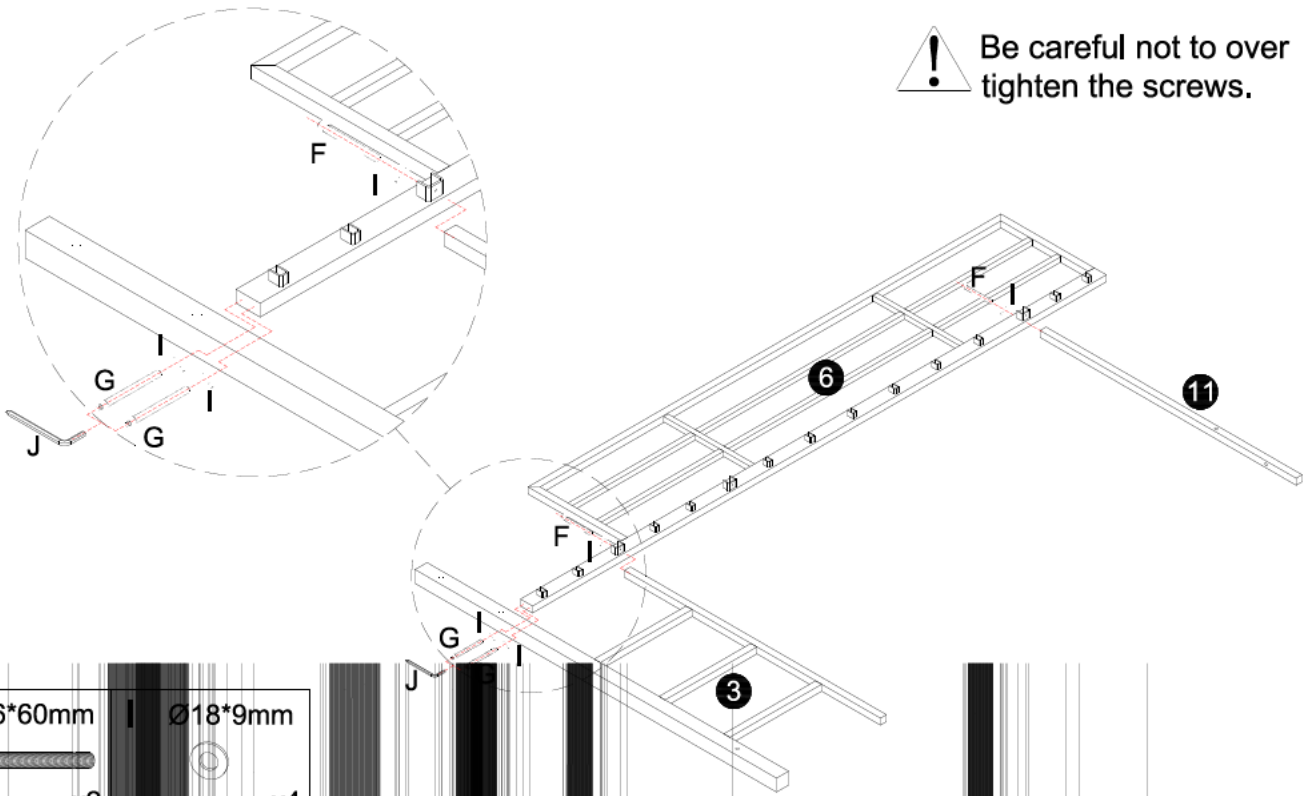






x1

Please pay attention to the installation direction of the parts

3

 Be careful not to over tighten the screws.

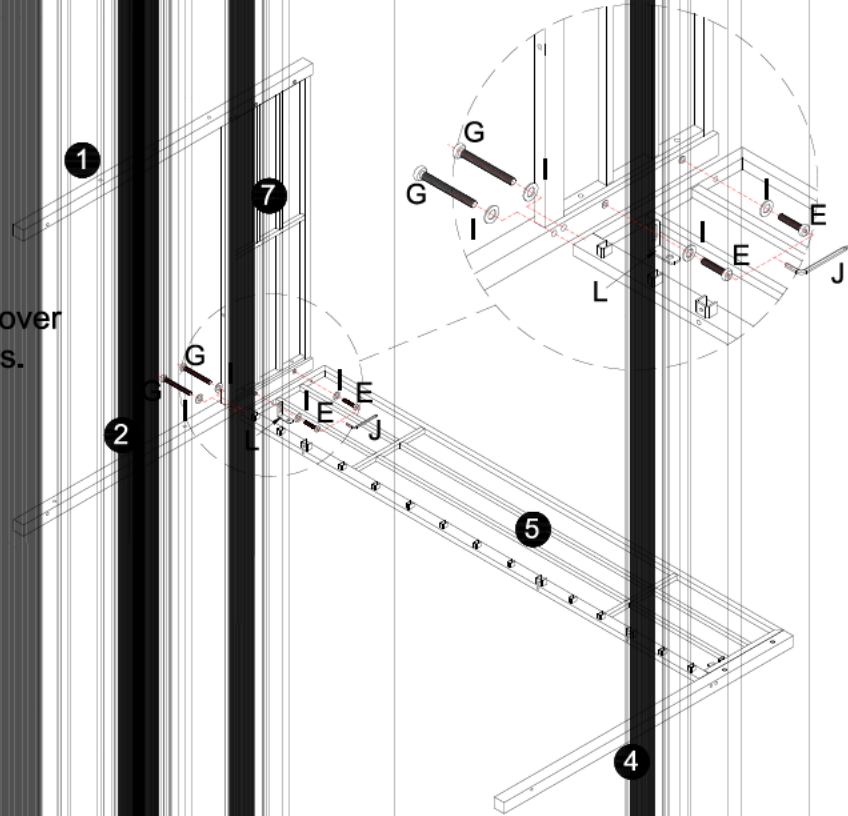






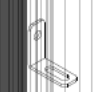
F M6*60mm  x2	I Ø18*9mm  x4
G M8*60mm  x2	J M4  x1

Please pay attention to the installation direction of the parts

4

 Be careful not to over tighten the screws.

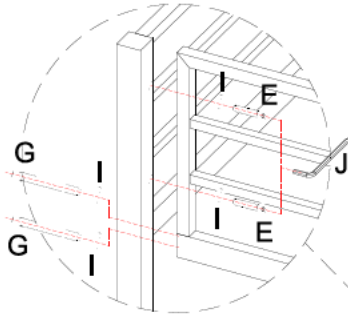



E M6*40mm  x2	I Ø18*9mm  x4
G M8*60mm  x2	J M4  x1
L  x1	

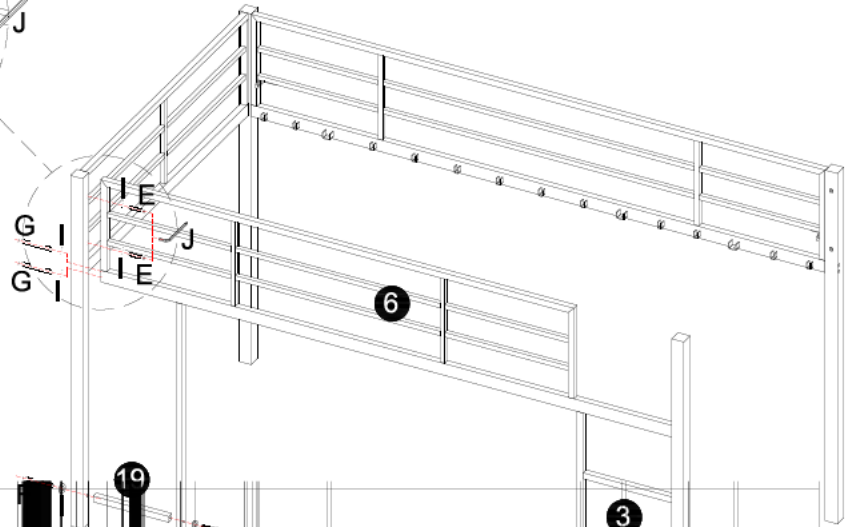
Please pay attention to the installation direction of the parts

5

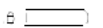
Please pay attention to the installation direction of the parts



 Be careful not to over tighten the screws.



E M6*40mm



x3

F M6*60mm



x1

Ø18*9mm



x3

G M8*60mm



x2

J M4



x1

6

D M6*28mm



x4

I Ø18*9mm

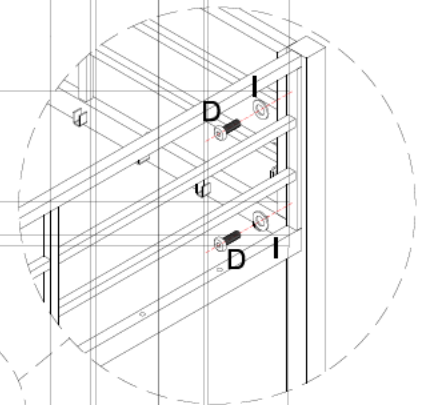
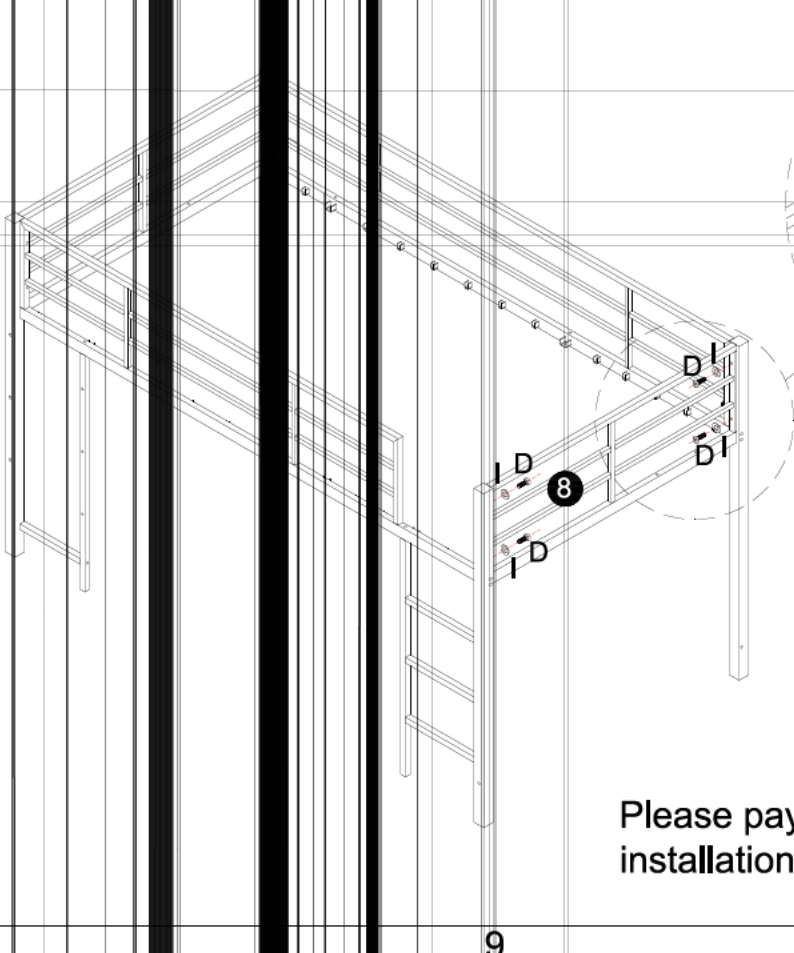


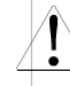
x4

J M4

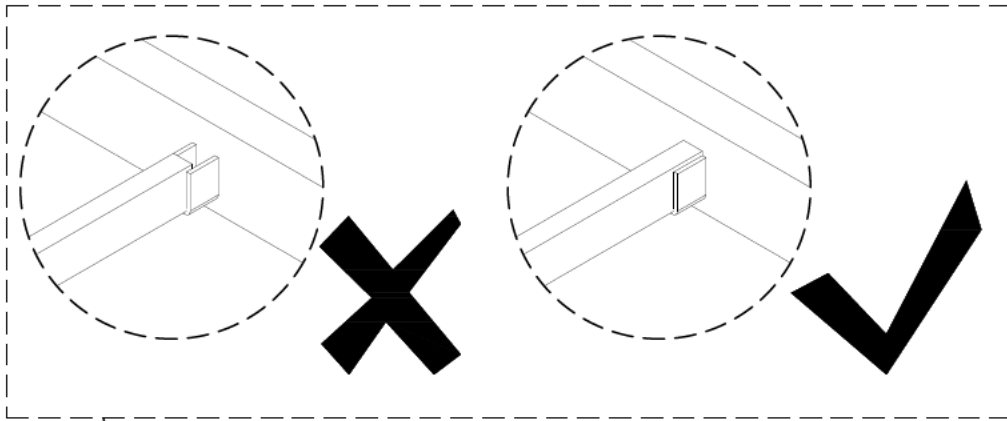


x1

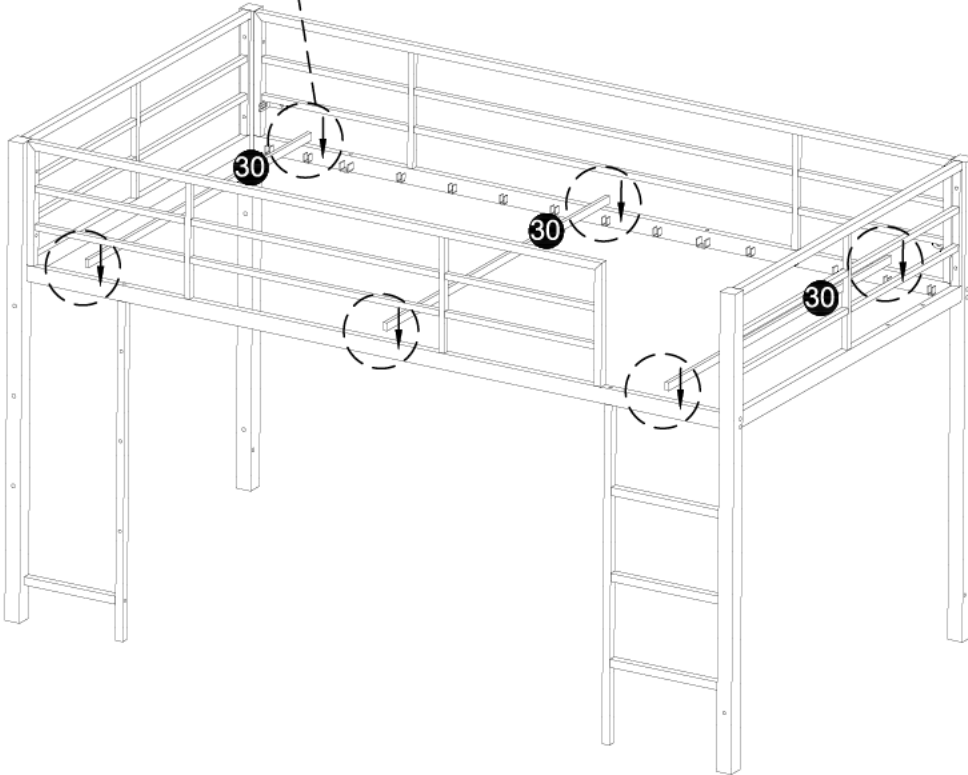


 Be careful not to over tighten the screws.

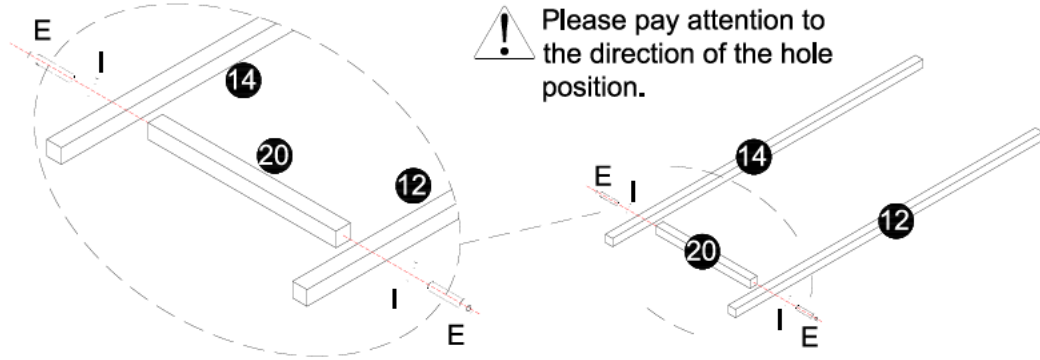
Please pay attention to the installation direction of the parts



After assembling the previous step, please follow this step to try assembling the No. 30 component. If you find an error, please check whether the assembled steps are correct. After confirming that they are correct, please follow the next step in assembling.



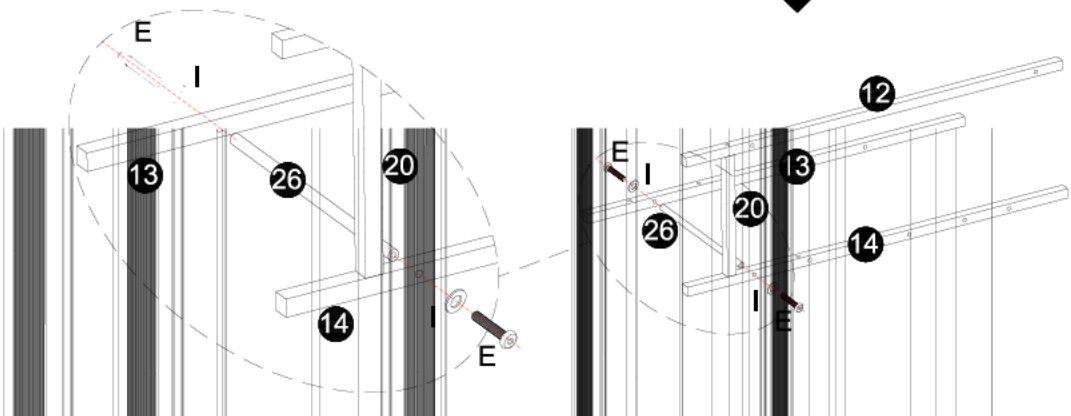
8



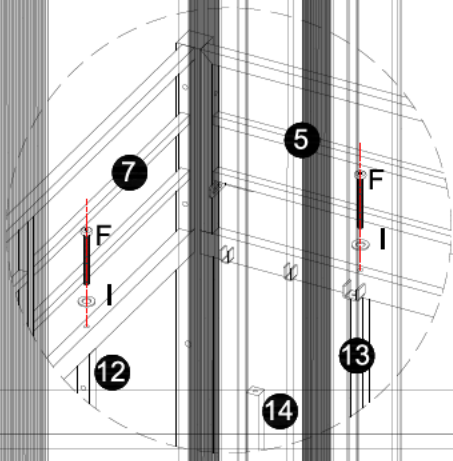
! Please pay attention to the installation direction of the parts



- E M6*40mm
x4
- I Ø18*9mm
x4
- J M4
x1

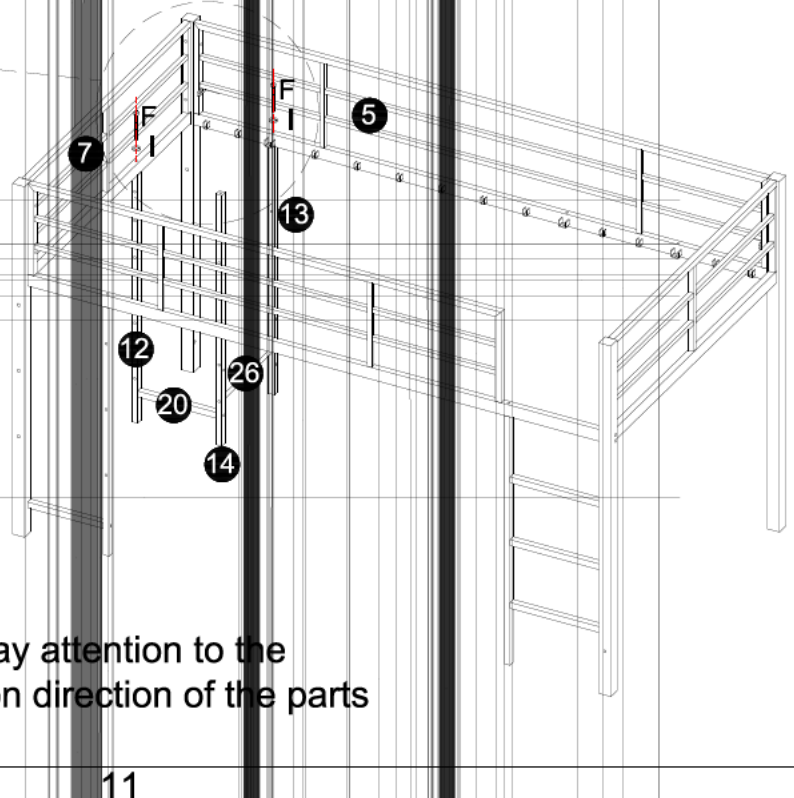


9



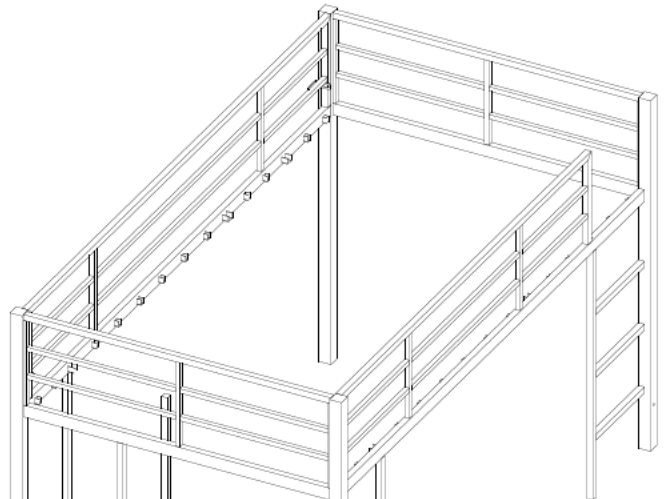
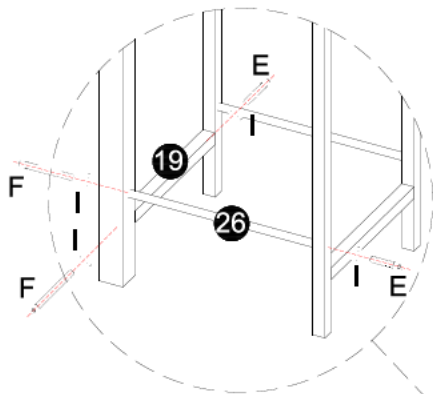
! Be careful not to over tighten the screws.

- F M6*60mm
x2
- I Ø18*9mm
x2
- J M4
x1



Please pay attention to the installation direction of the parts

10



E M6*40mm



x2

F M6*60mm



x2

I Ø18*9mm

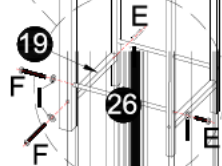


x4

M4

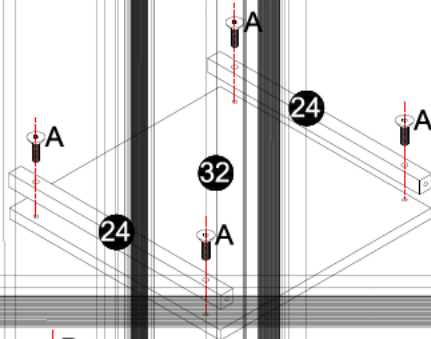


x1

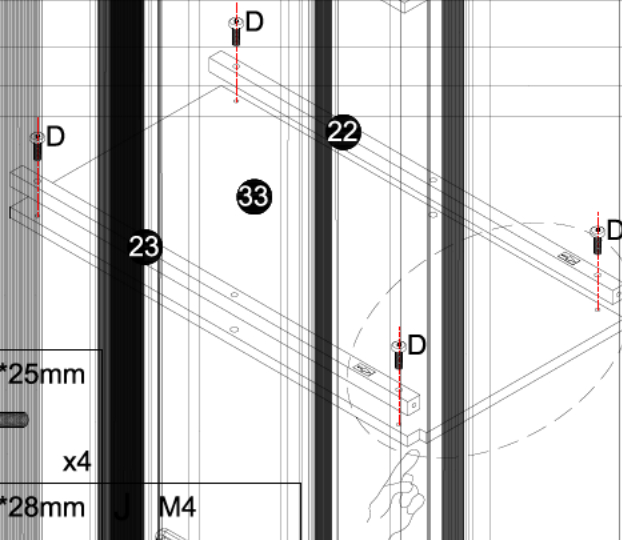


Please pay attention to the installation direction of the parts

11



Please pay attention to the direction of the arrows.



A M6*25mm



x4

D M6*28mm

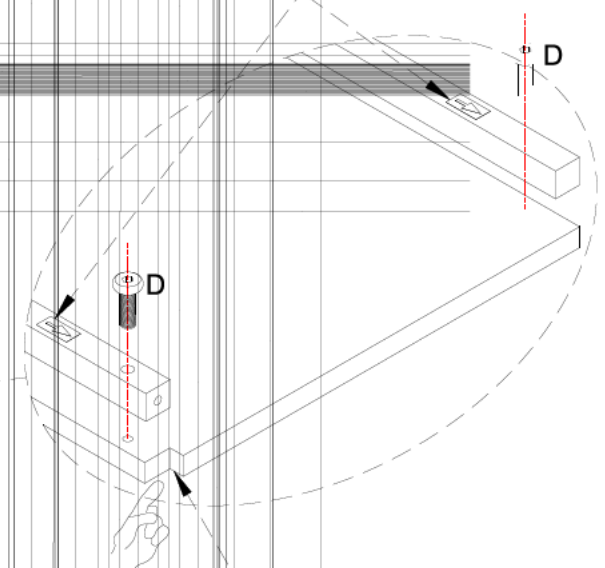


x4

M4

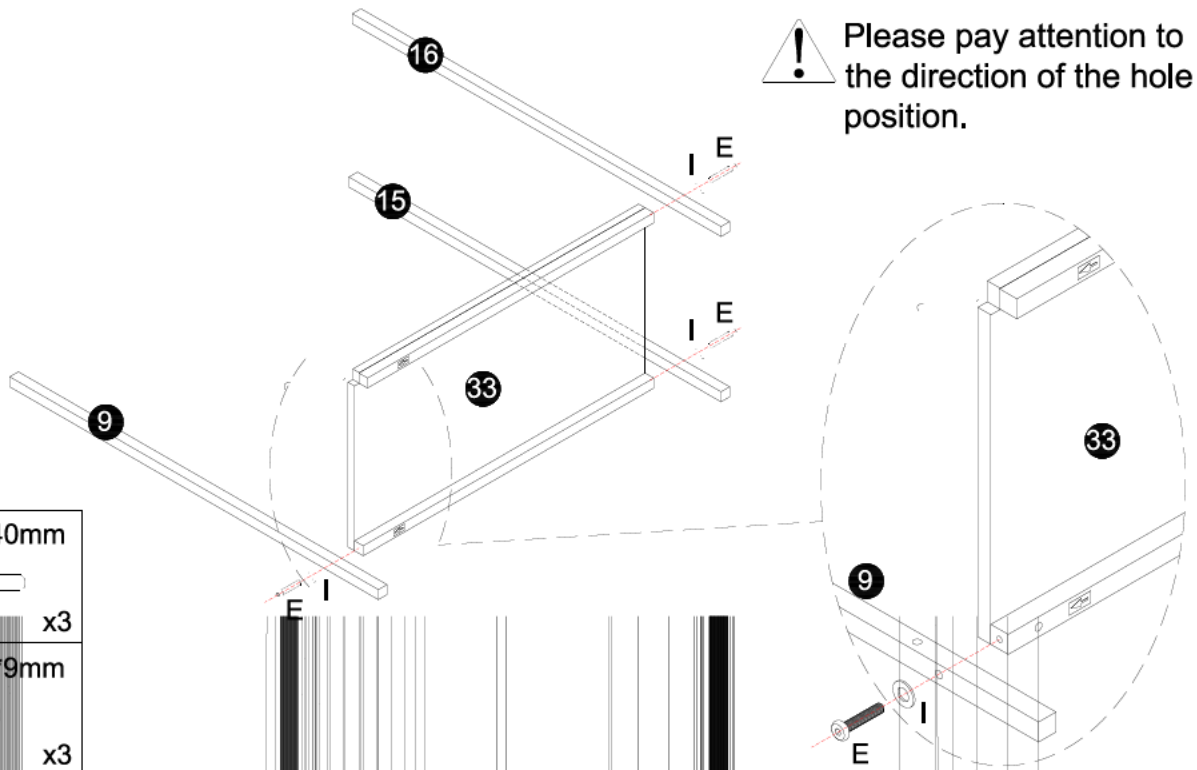


x1



Pay attention to the position of the gap on the wooden board.

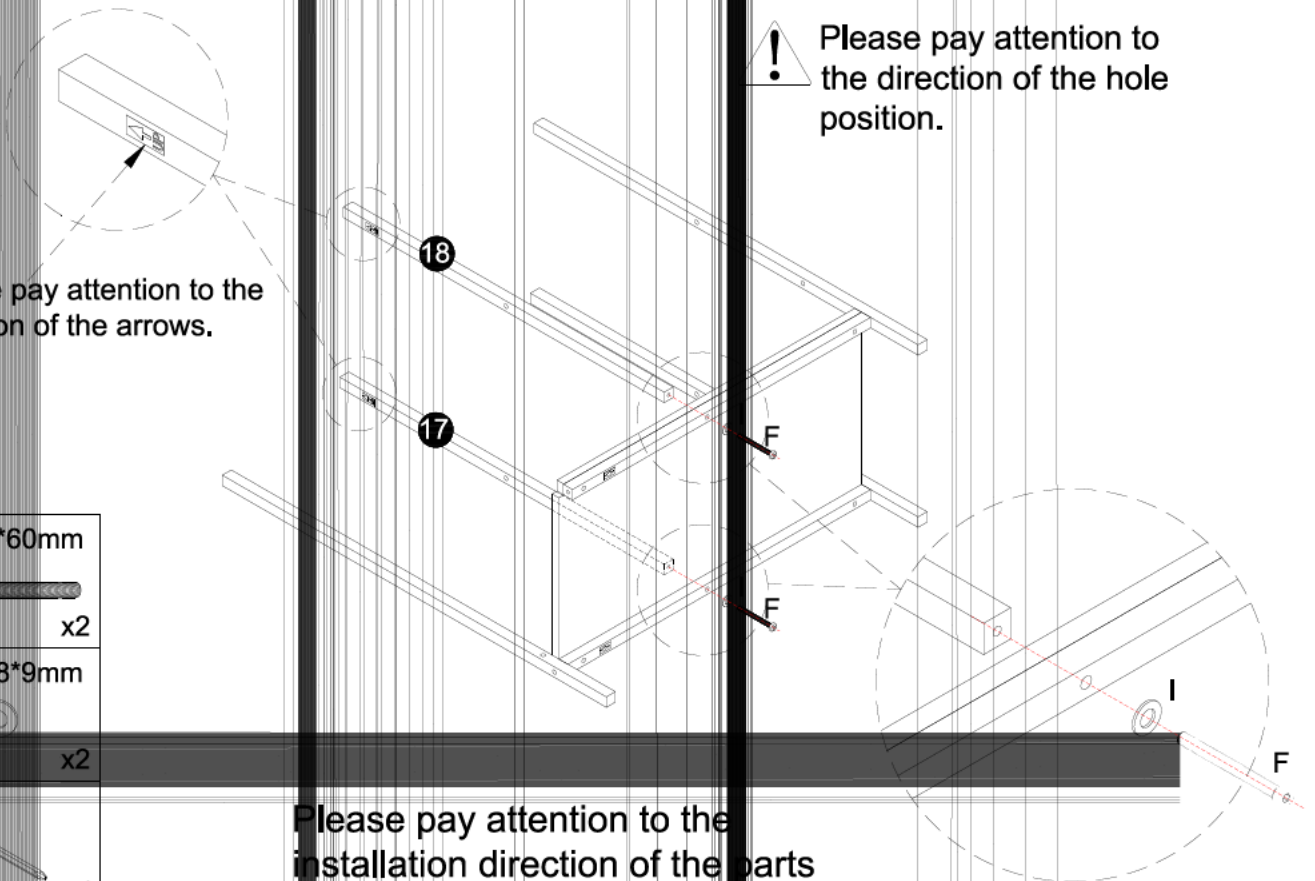
12



- E M6*40mm
x3
- I Ø18*9mm
x3
- J M4
x1

Please pay attention to the installation direction of the parts

13



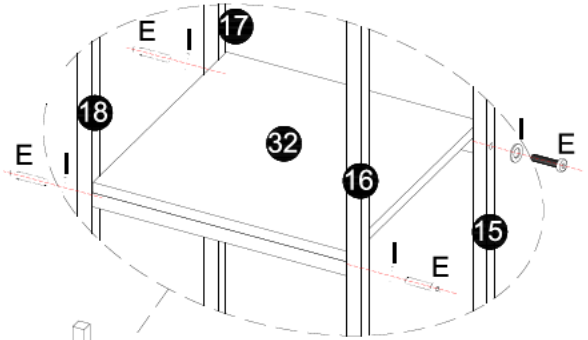
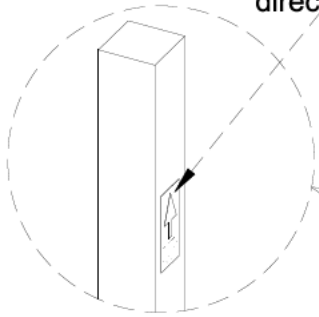
Please pay attention to the direction of the arrows.

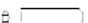


- F M6*60mm
x2
- I Ø18*9mm
x2
- J M4
x1

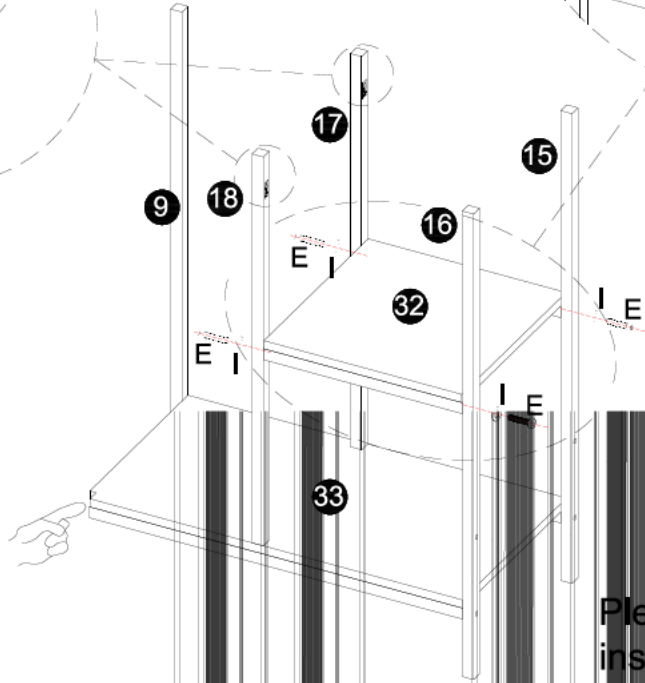
Please pay attention to the installation direction of the parts

14

Please pay attention to the direction of the arrows.




- E** M6*40mm
 x4
- I** Ø18*9mm
 x4
- J** M4
 x1

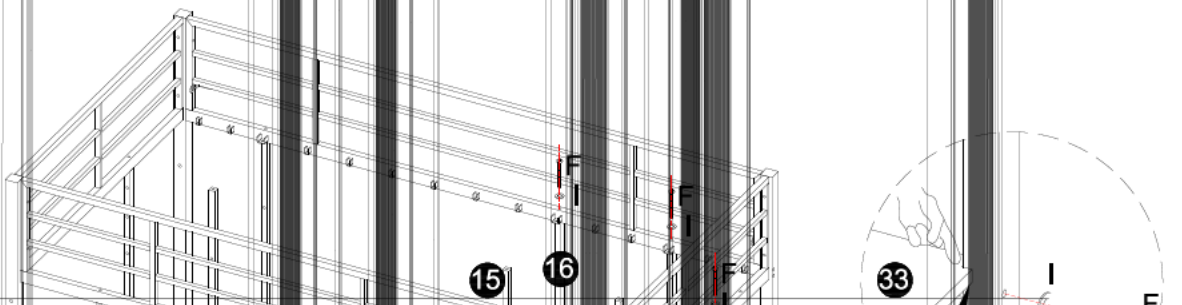





Please pay attention to the installation direction of the parts


15

 Be careful not to over tighten the screws.

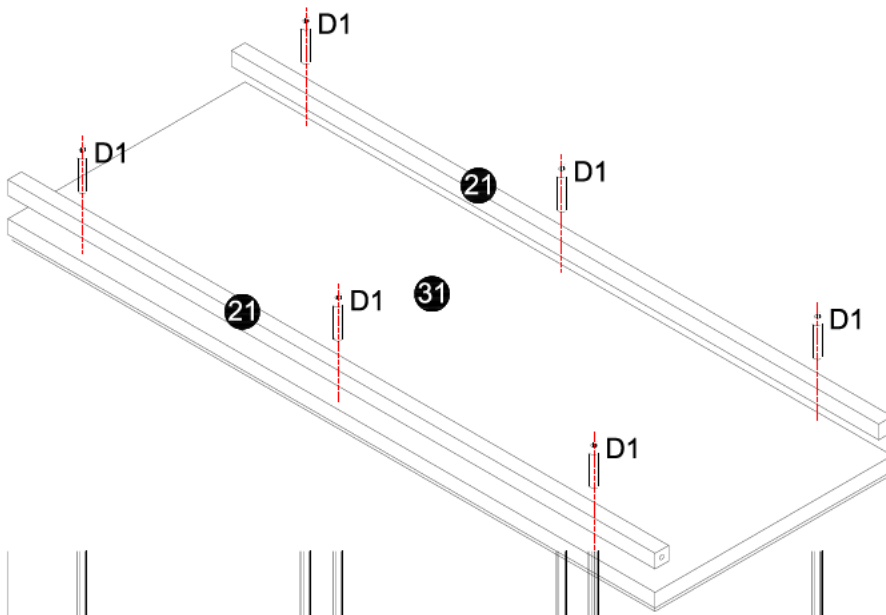
Please pay attention to the installation direction of the parts



- F** M6*60mm
 x4
- I** Ø18*9mm
 x4
- J** M4
 x1

 Pay attention to the position of the gap on the wooden board.

16



D1 M6*35mm



x6

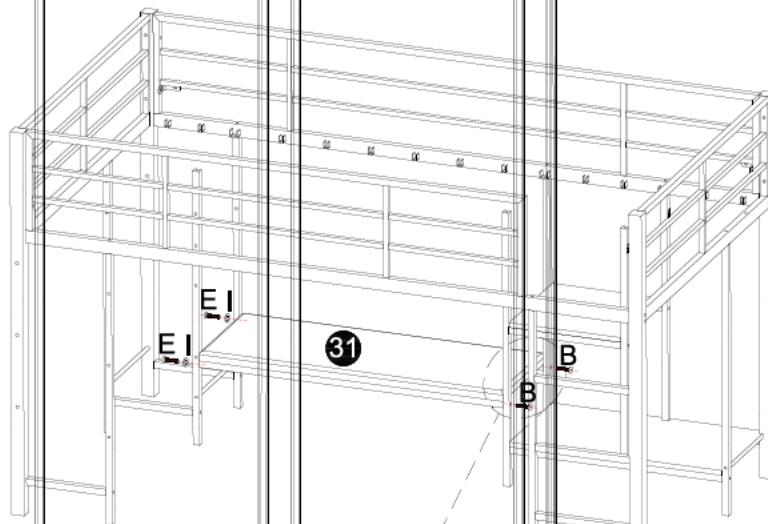
J M4



x1

Please pay attention to the installation direction of the parts

17



B M6*40mm



x2

E M6*40mm



x2

I Ø18*9mm



x2

J M4



x1

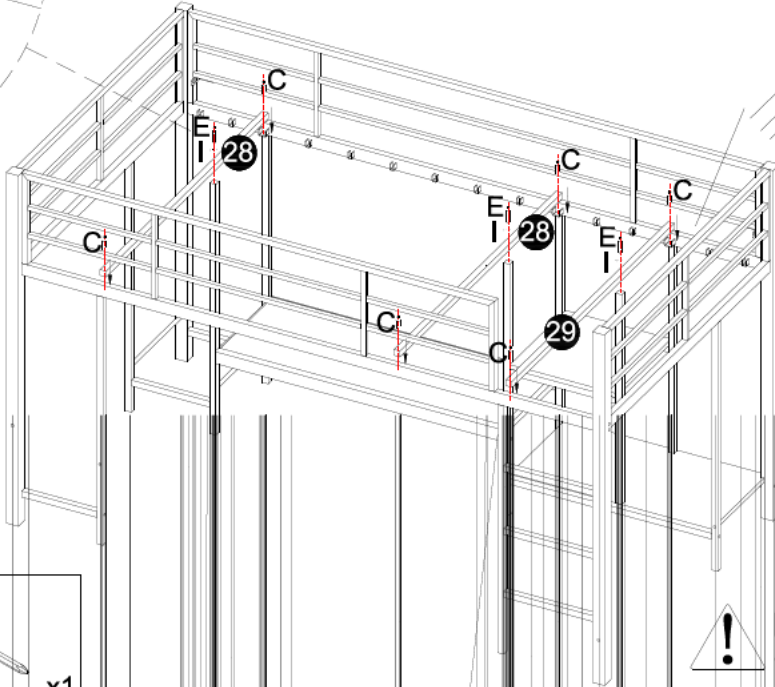
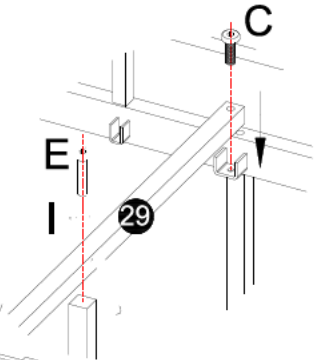
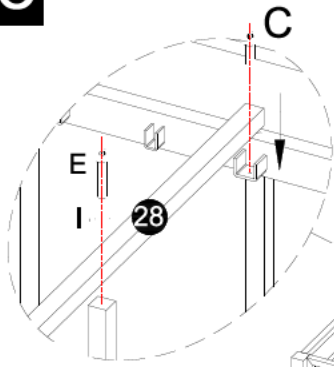


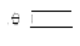



Be careful not to over tighten the screws.


Please pay attention to the installation direction of the parts

18

Please pay attention to the installation direction of the parts

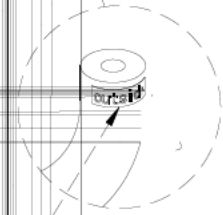
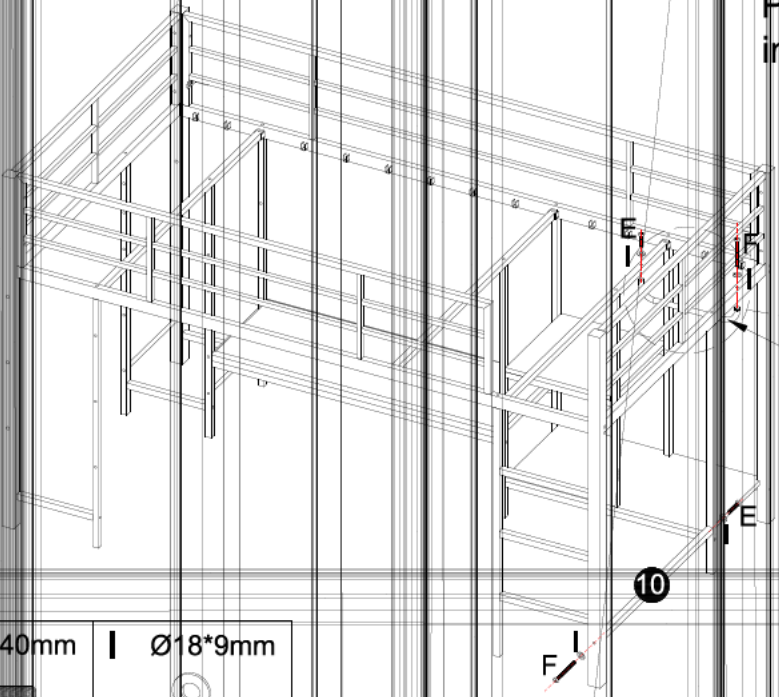


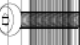
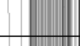


C M6*25mm		x6
E M6*40mm		x3
I Ø18*9mm		x3
J M4		x1


 Be careful not to over tighten the screws.

19

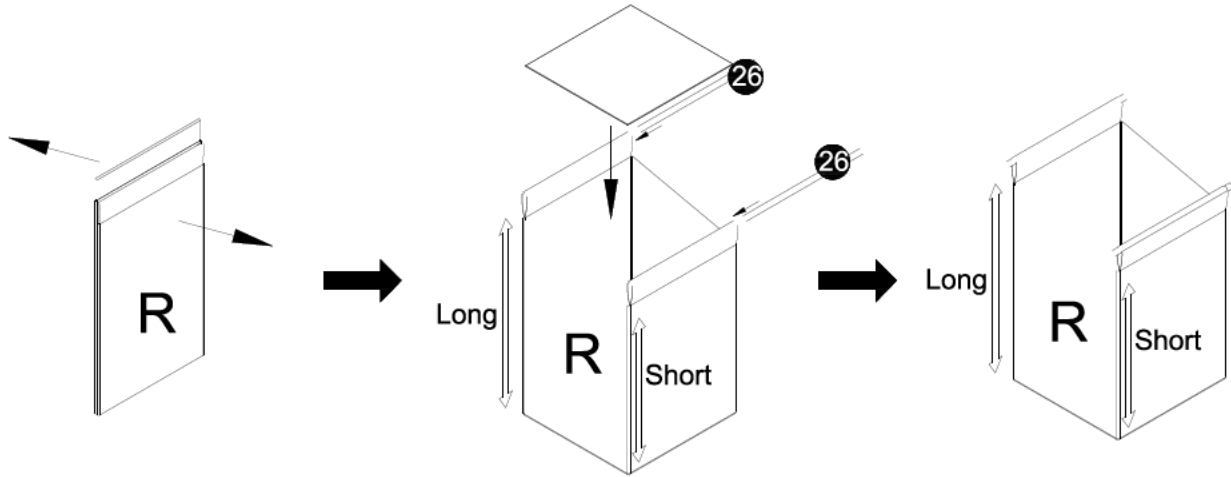
Please pay attention to the installation direction of the parts



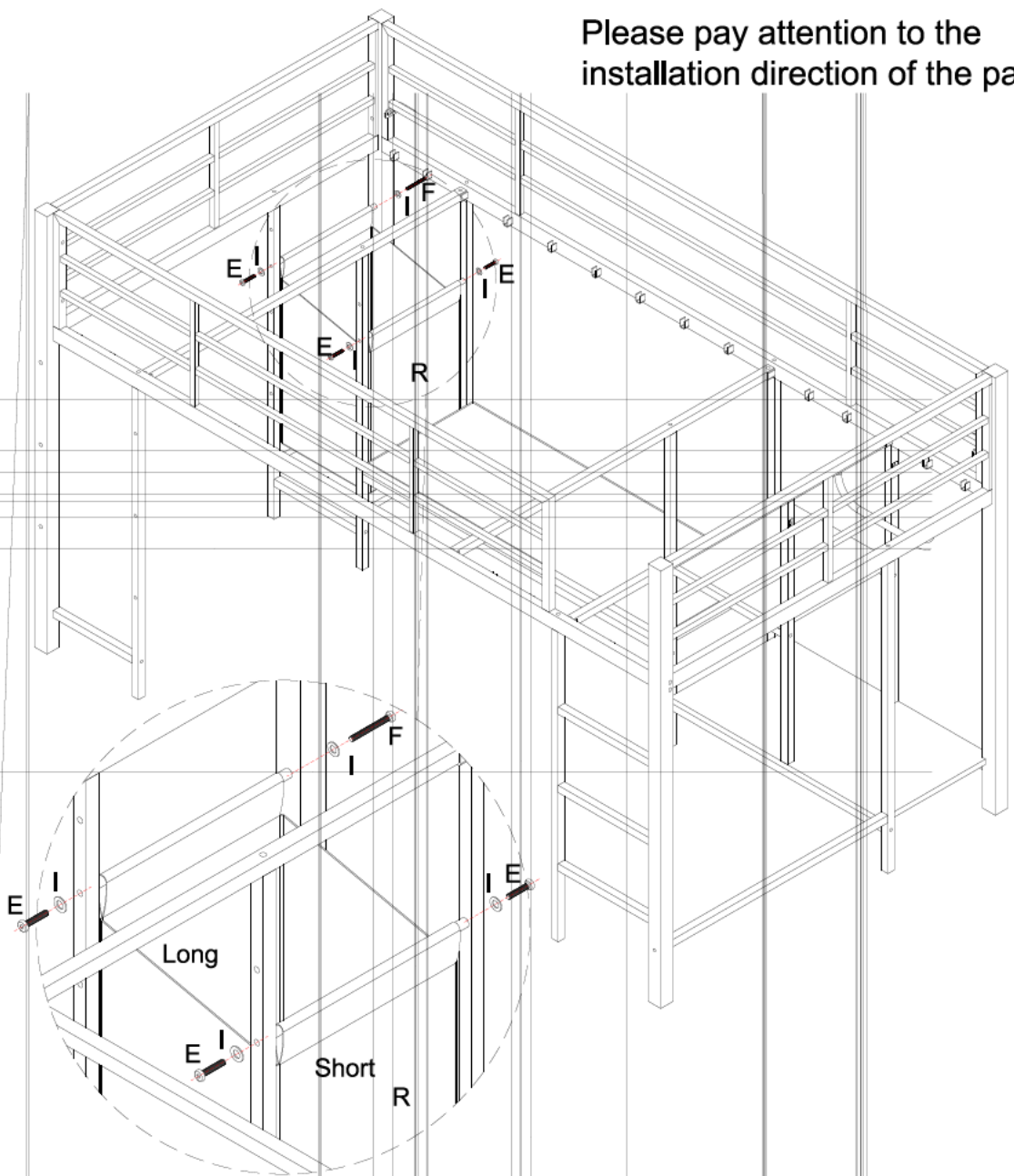
E M6*40mm		x2
I Ø18*9mm		x4
F M6*60mm		x2
J M4		x1






 Be careful not to over tighten the screws.

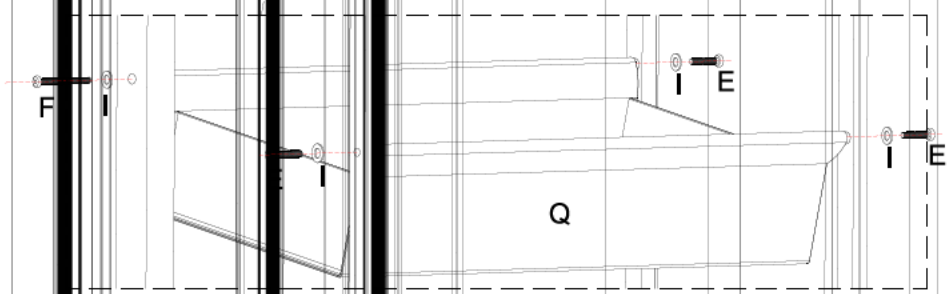
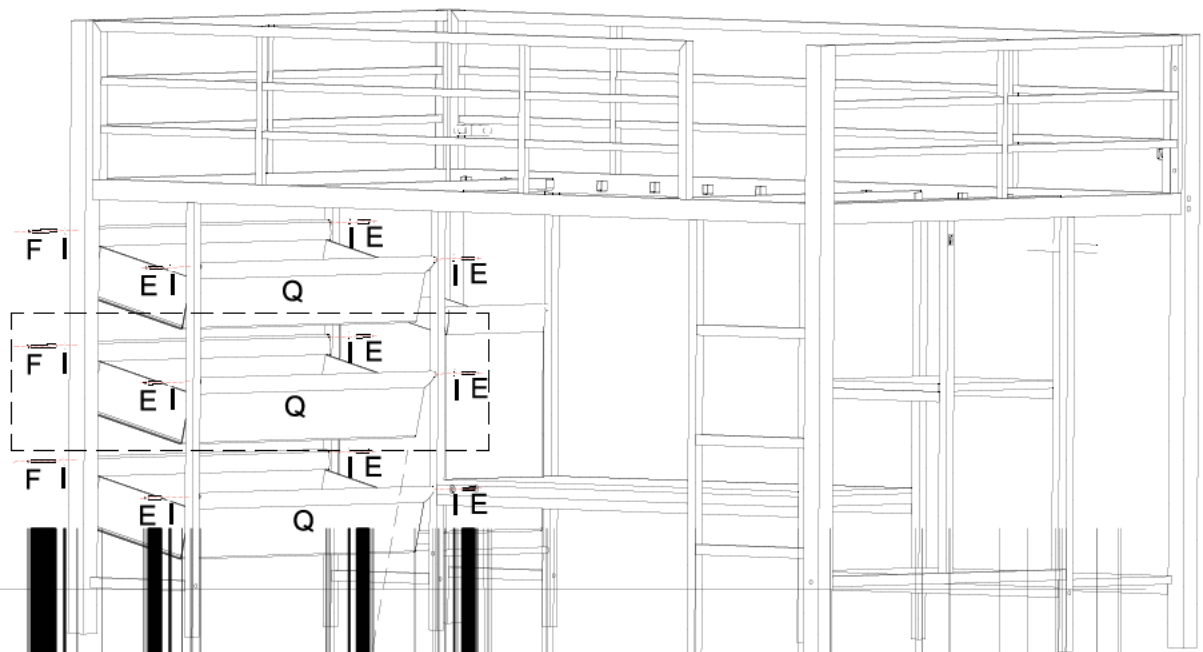
Pay attention to the direction of the sticker



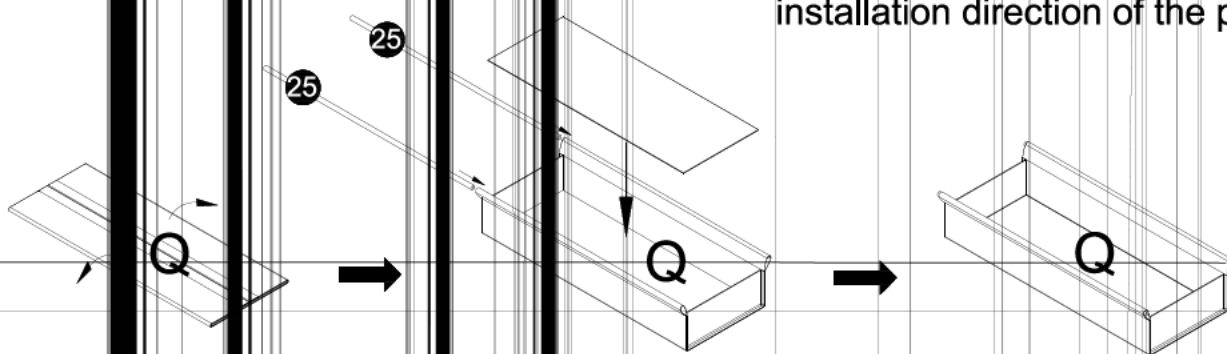
Please pay attention to the installation direction of the parts




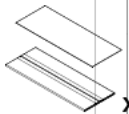


- E M6*40mm

 x3
- F M6*60mm

 x1
- I Ø18*9mm

 x4
- J M4

 x1
- R

 x1

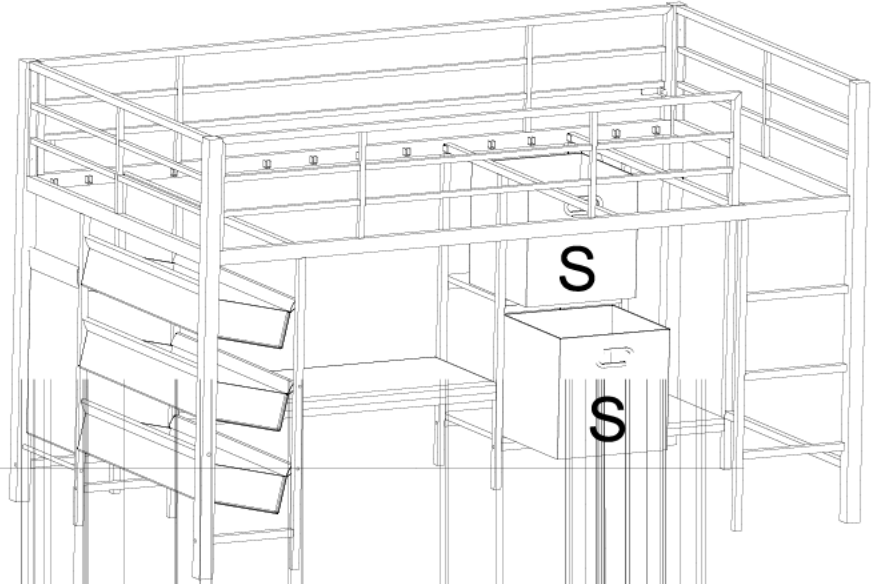
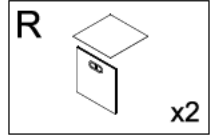
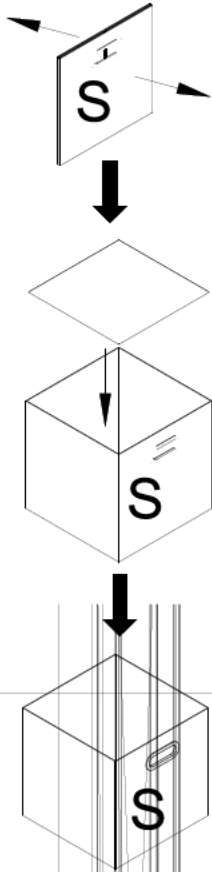


Please pay attention to the installation direction of the parts

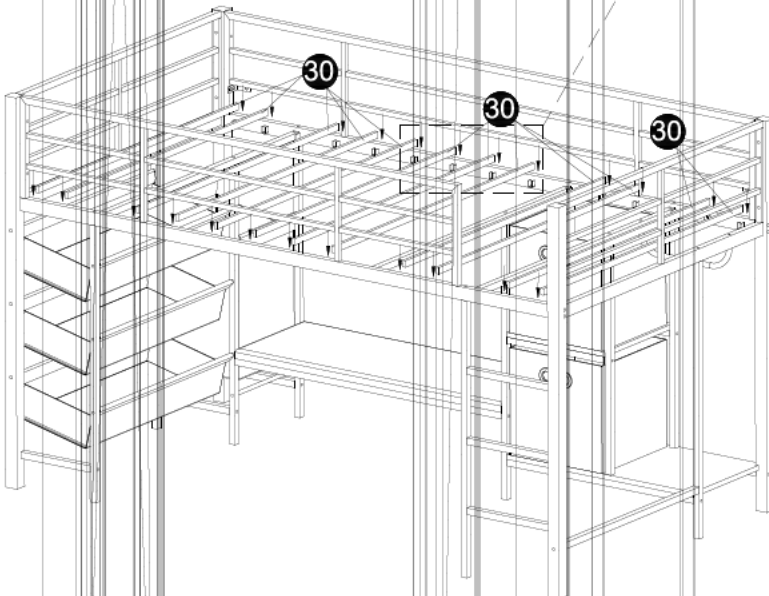
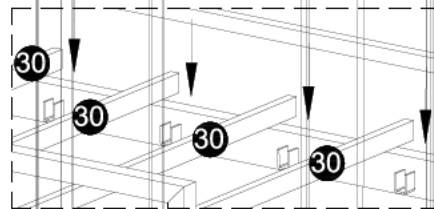



E M6*40mm 	F M6*60mm 	I Ø13*9mm 	J M4 	Q 
	x3	x12	x1	x3

22



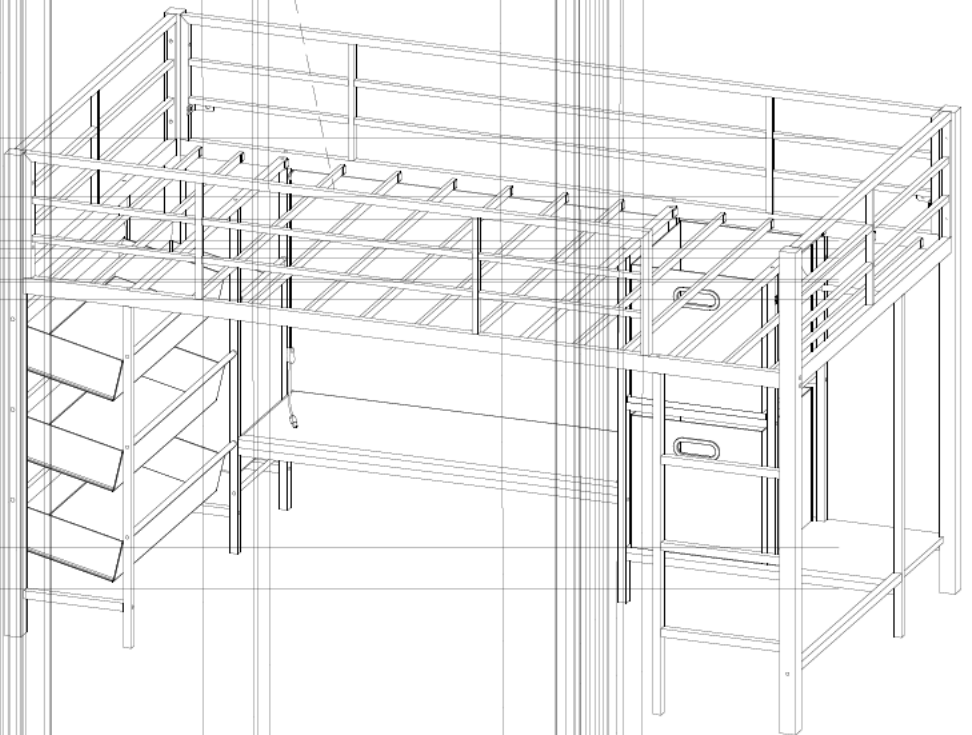
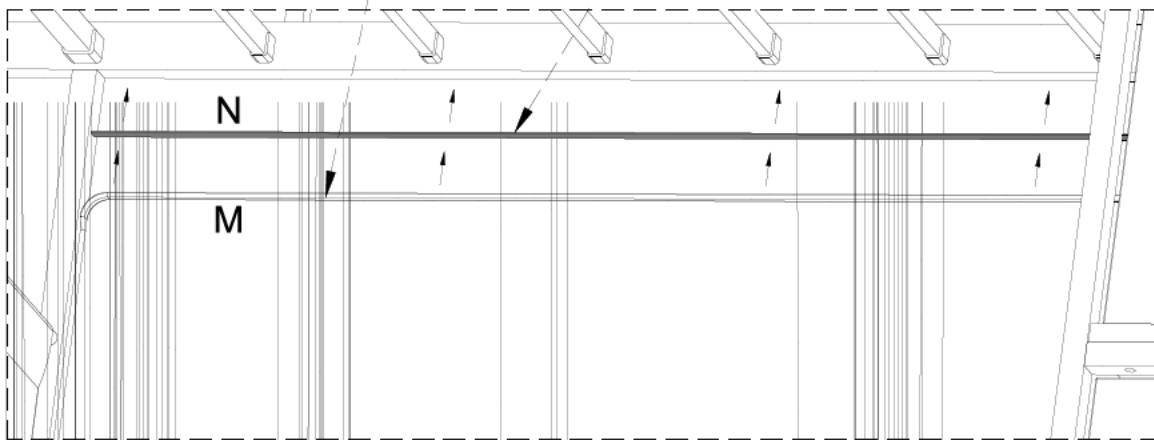
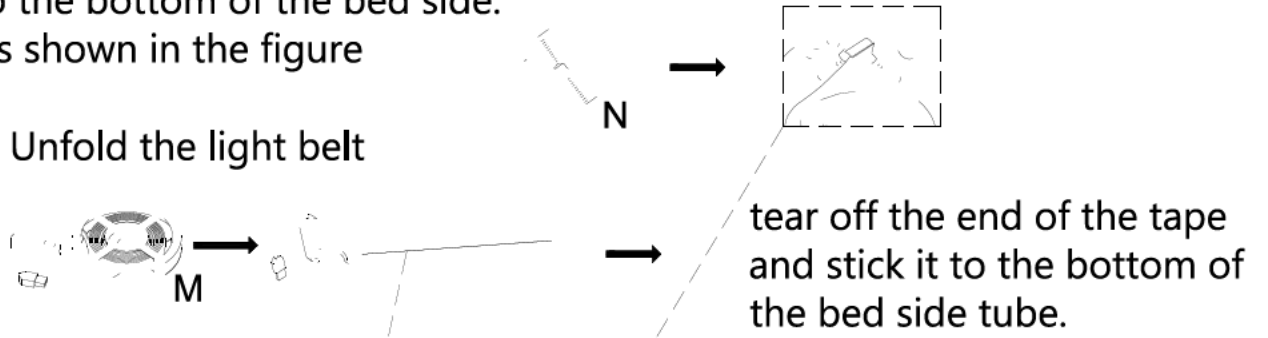
23



 Now all the screws can be tightened.

1: Please remove the adhesive tape numbered N first, and then stick it to the bottom of the bed side.
As shown in the figure

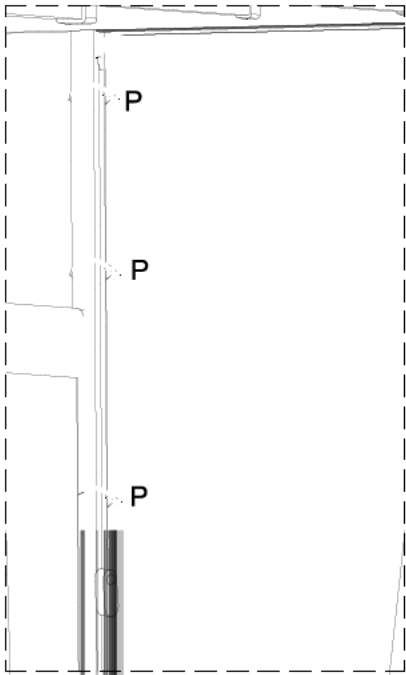
2: Unfold the light belt



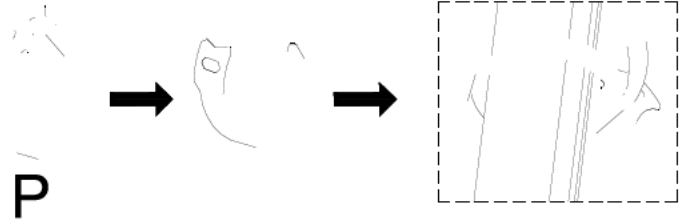
The USB of the light strip can be attached to the left or right side of the bed according to personal needs when installing the light strip.



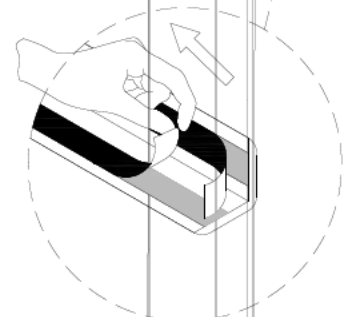
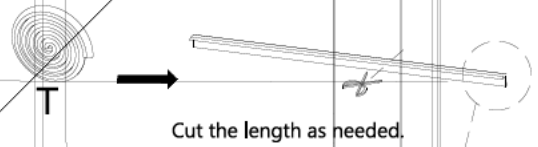
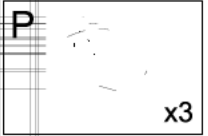
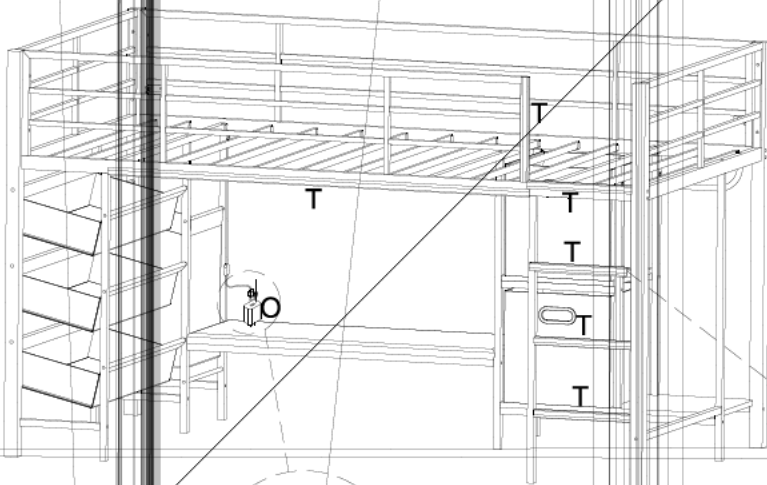
25



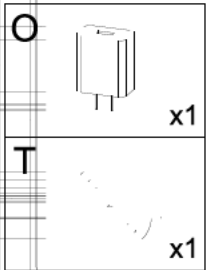
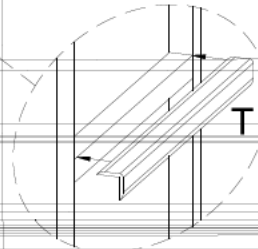
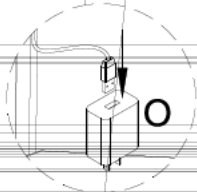
Please loosen the tie and tie it onto the iron pipe. As shown in the figure.



26

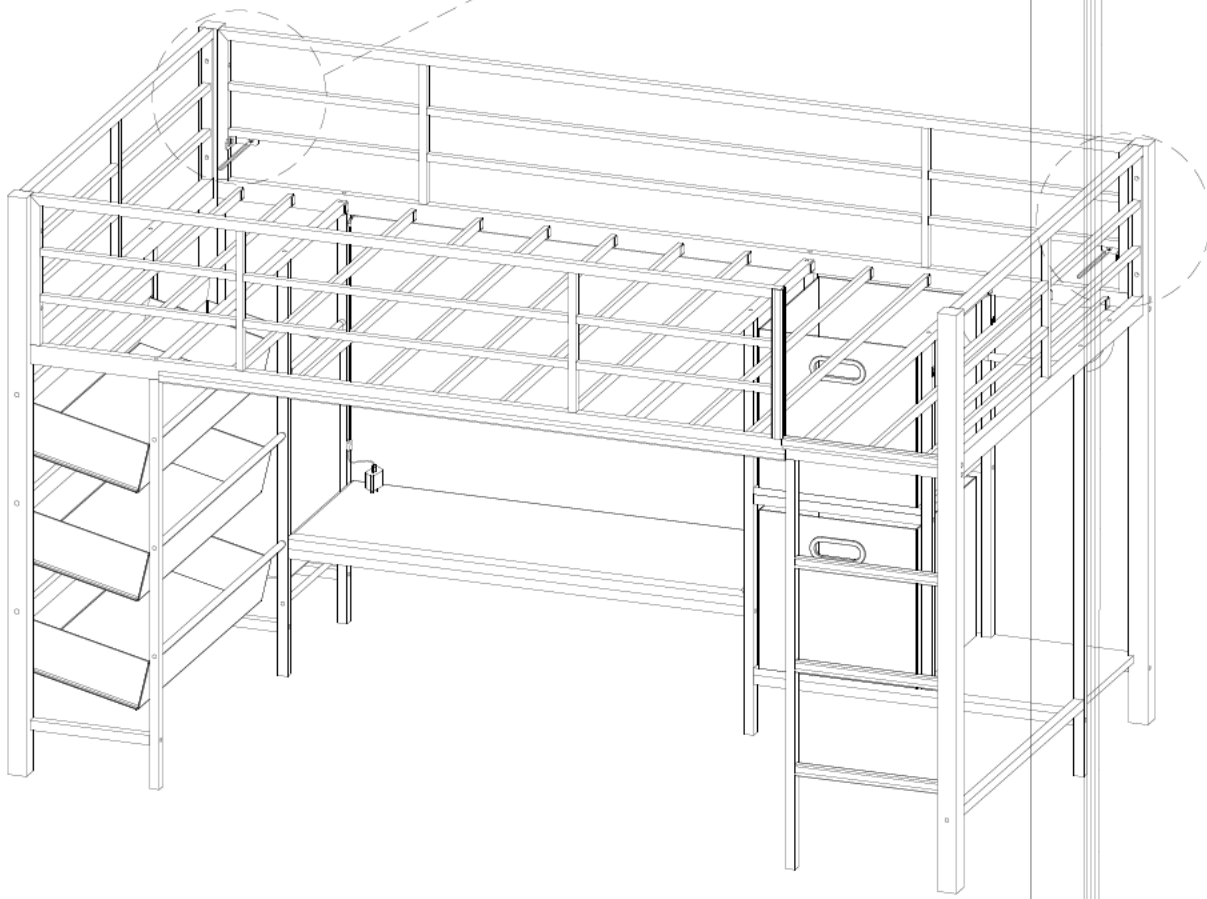
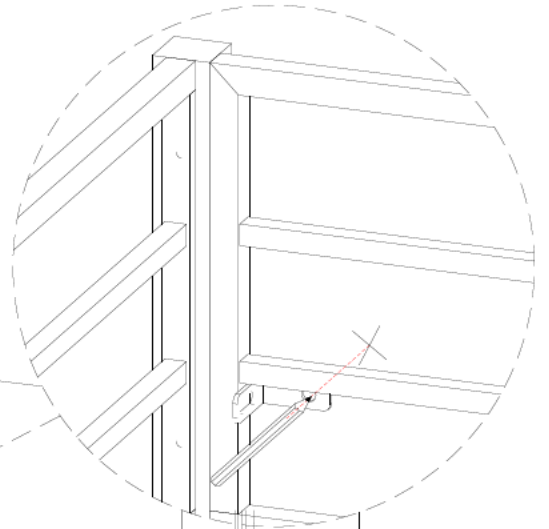


Please remove the adhesive tape numbered **T** first, and then stick it onto component number **3** and **6**. As shown in the figure



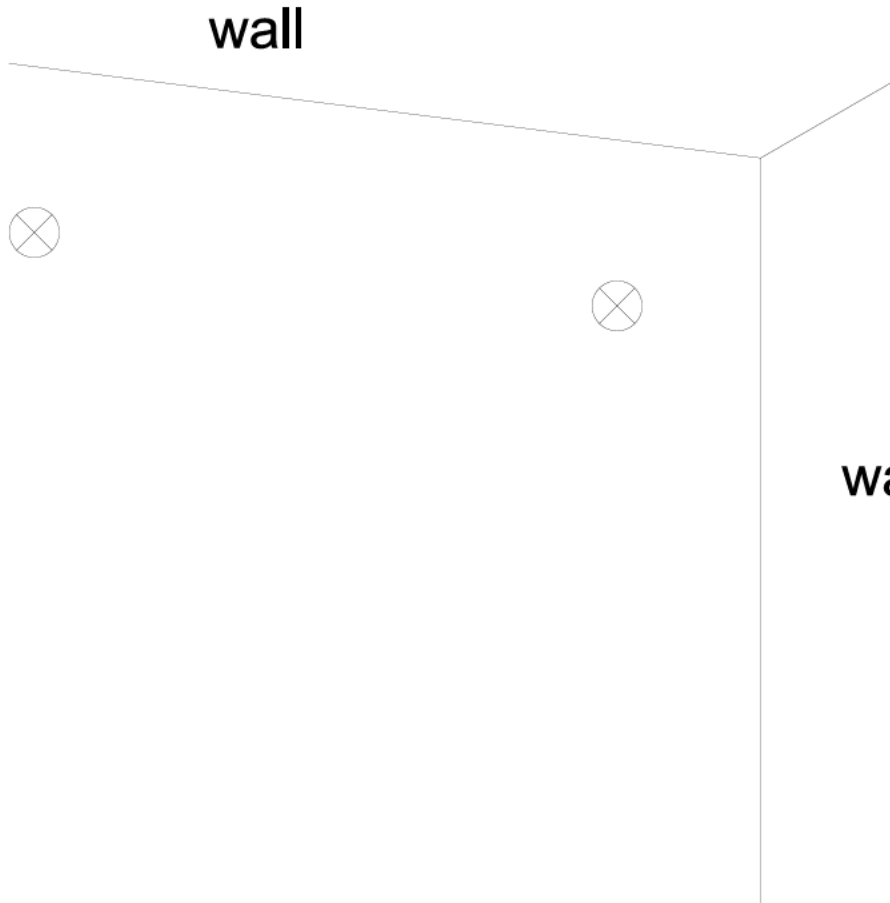
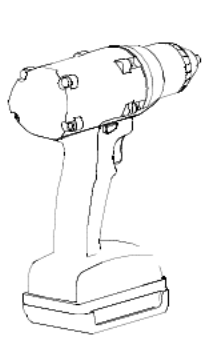
27 Positioning

wall

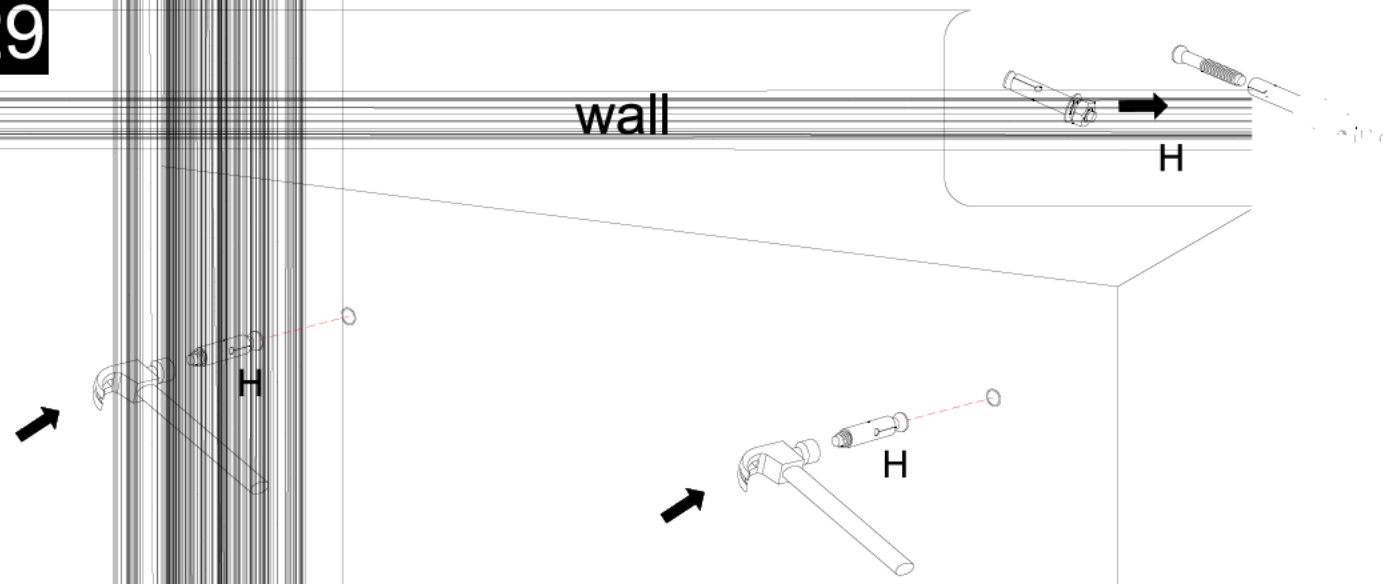


wall

28 Drilling



29

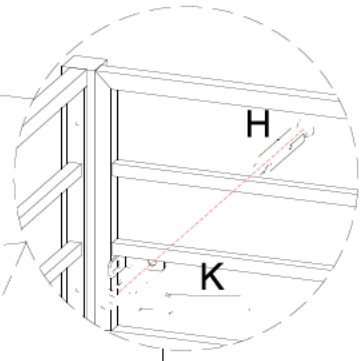


Please lock the expansion screw onto the wall.

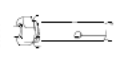

wall

30

wall



wall

H		x2
K		x1

31

