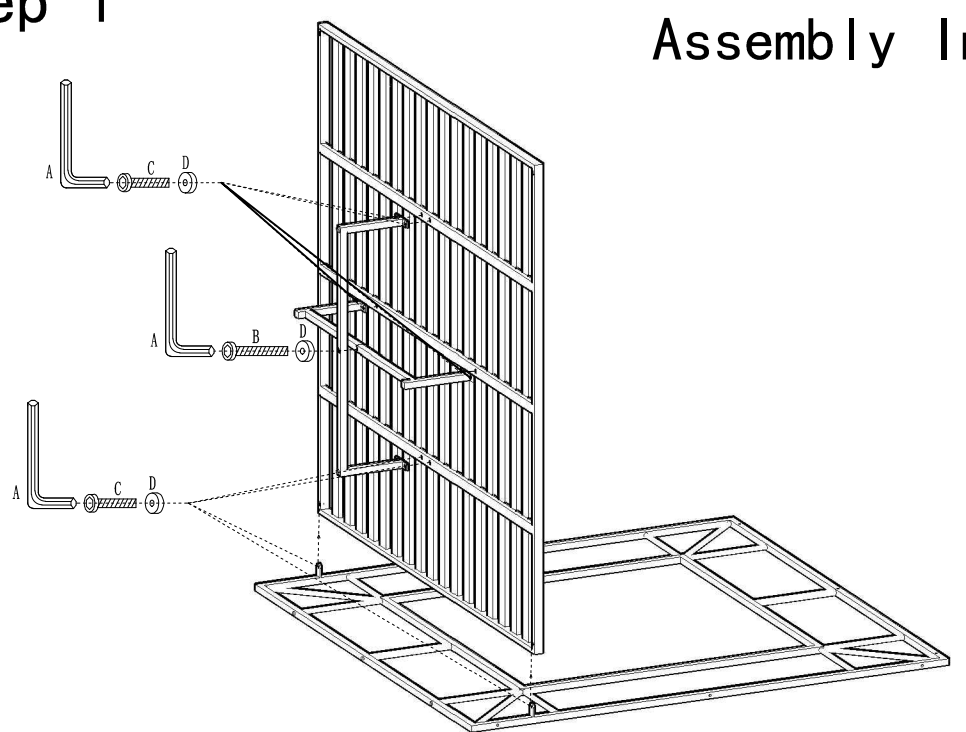
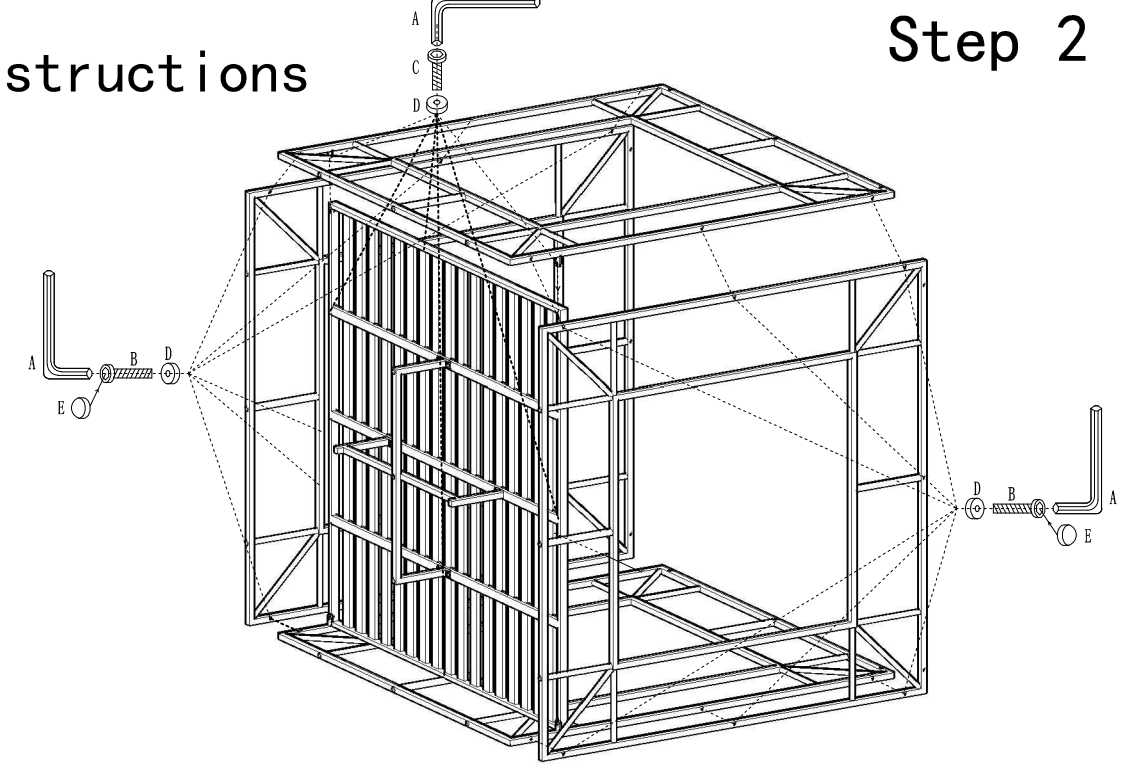


Step 1

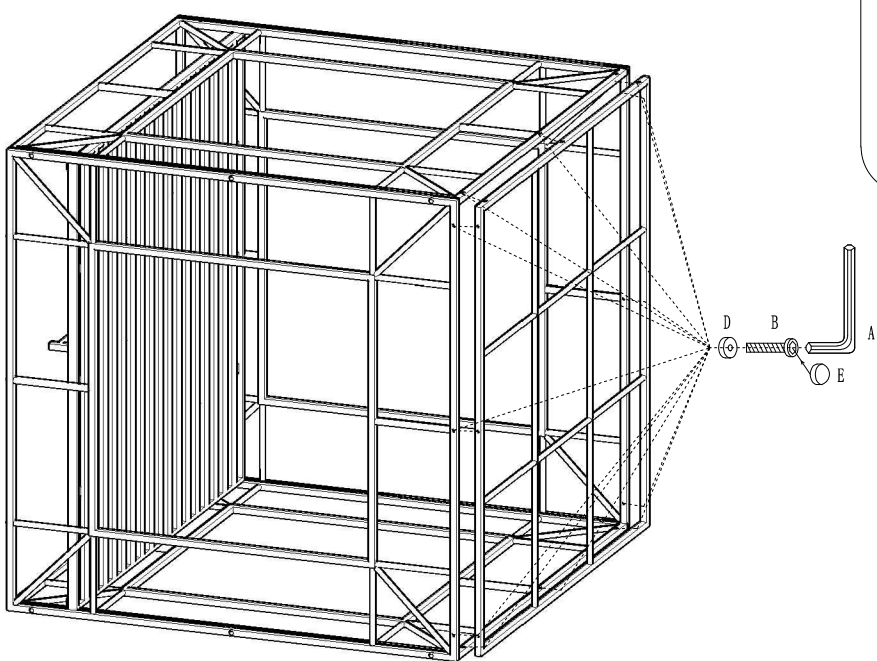


Assembly Instructions

Step 2



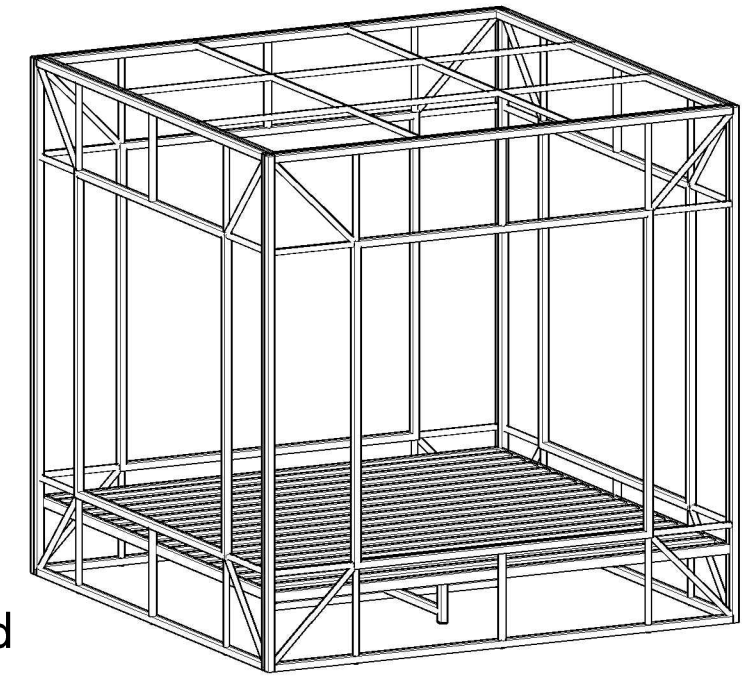
Step 3



Hardware & Tools required

A		Wrench X 1pc
B		1/4*45mm Screw x 25pcs
C		1/4*20mm Screw x 16pcs
D		Shim X 41pcs
E		Screw cover X 24pcs

Step 4



Completed