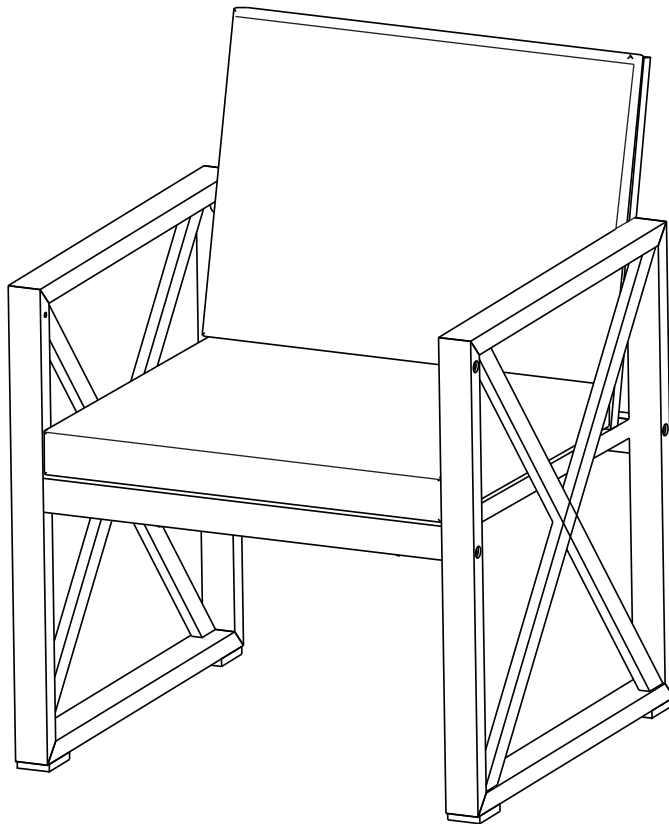


Assembly Instructions

Caution: You must read this before you proceed

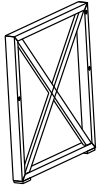
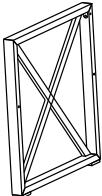
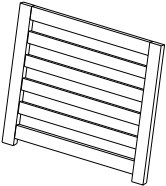
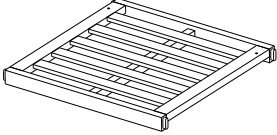
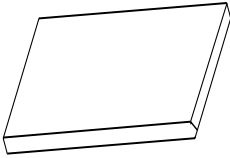

Please look underneath Seat panel for hardware packs

CHAIR


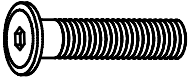


Caution: This Chair is NOT a TOY. Keep your child / children at bay during the assembly process. For moving the Chair and to prevent damage to the Chair, two adults are needed to execute this action.

Parts List

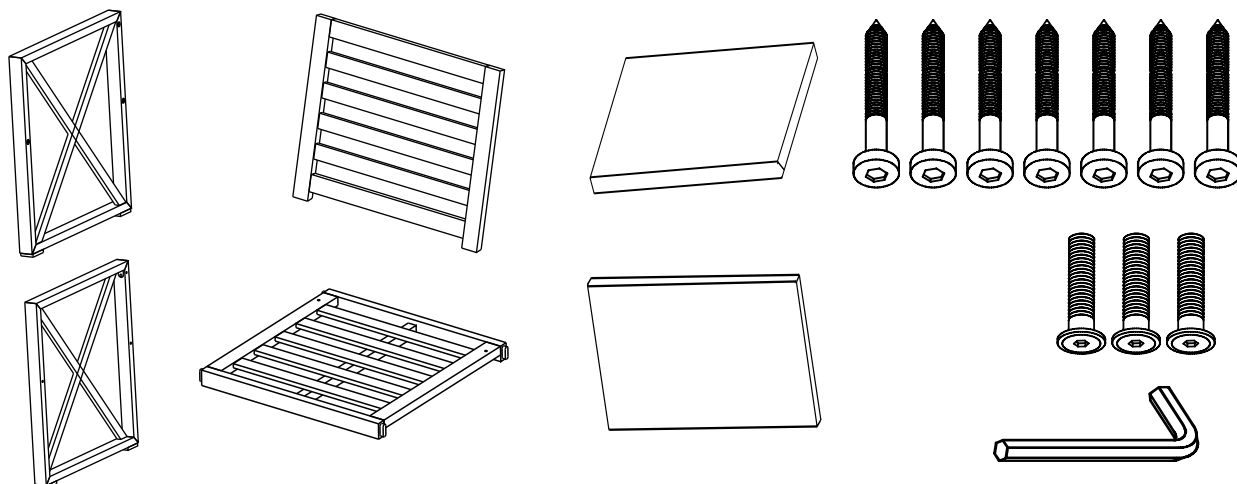
Label	Picture	Description	QTY
A		Right Leg Panel	1
B		Left Leg Panel	1
C		Backrest Panel	1
D		Seat Panel	1
E		Seat Cushion	1
F		Backrest Cushion	1

Hardware

Label	Picture	Description	QTY
①		Screw (M7x70mm)	7
②		Bolt (M6x40mm)	3
③		Allen Key	1

Assembly Preparation

Before Beginning Assembly:



- Read instructions, cover to cover-



- Have 2 adults on hand for assembly-



- Do not assemble on flooring or carpet-



- Assemble on a clean non-marring surface (packing foam)-



- Save all packaging until finished-

Before Beginning Assembly:

OVERVIEW

Backrest
Cushion (E)

Backrest
Panel (C)

Left Leg
Panel (B)

Right Leg
Panel (A)

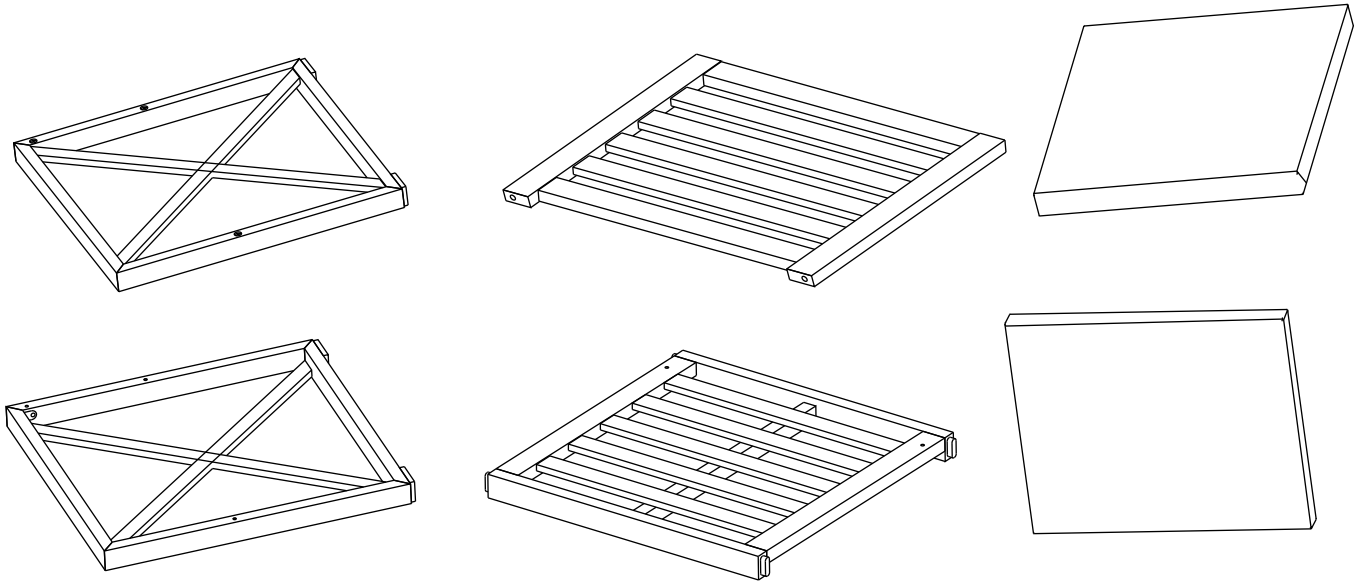
Seat Cushion(F)

Seat Panel (D)

 FRONT FACING

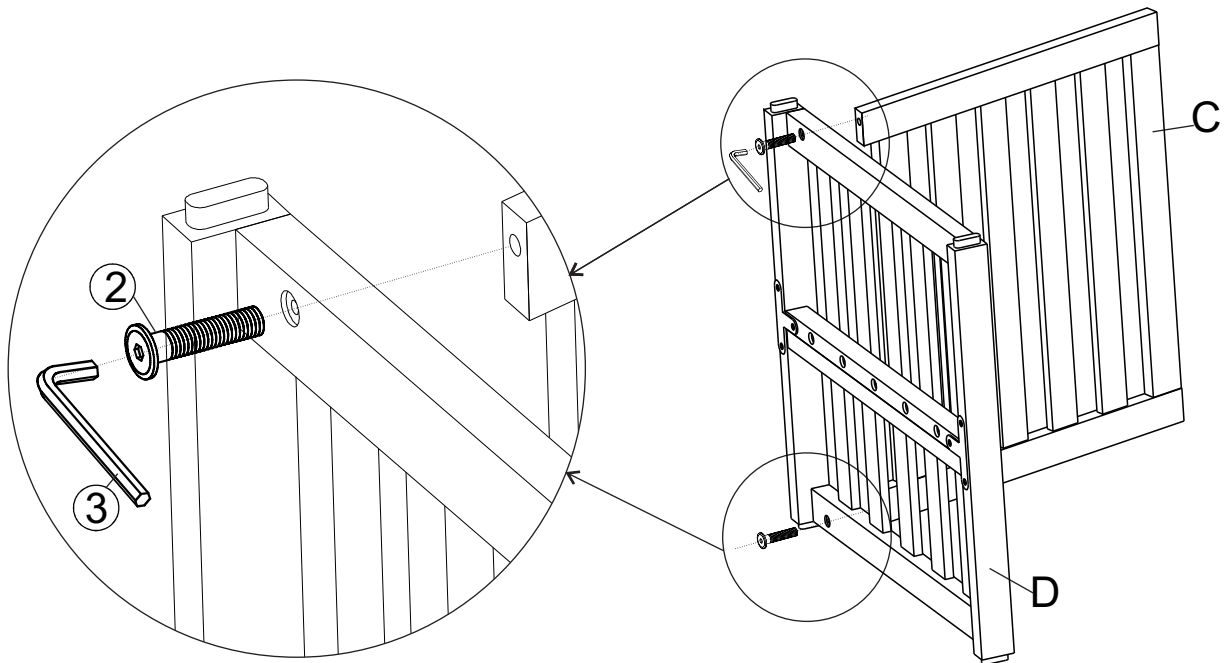
This Chair has multiple parts and may require up to 30 minutes to assemble. To give you an overview of the Chair parts, the above picture is to help you put the various parts into perspective. Please read through the instructions below to familiarise yourself with the parts and steps before assembly.

Step 1



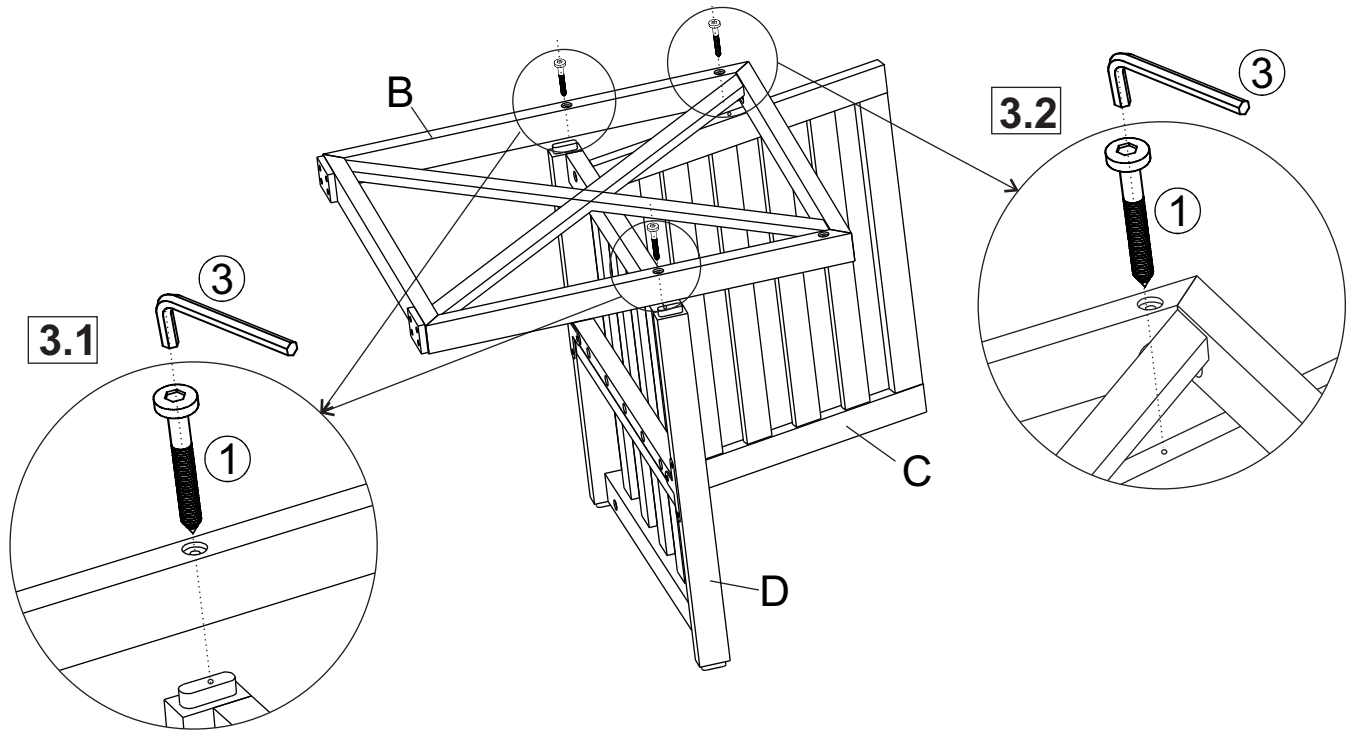
Unpack and place all parts on a clean, non-marring surface.

Step 2



Attach Backrest Panel (C) to Seat Panel (D) using Bolt (②) and Allen Key (③) as above picture.
Do not fully tighten Bolts.

Step 3

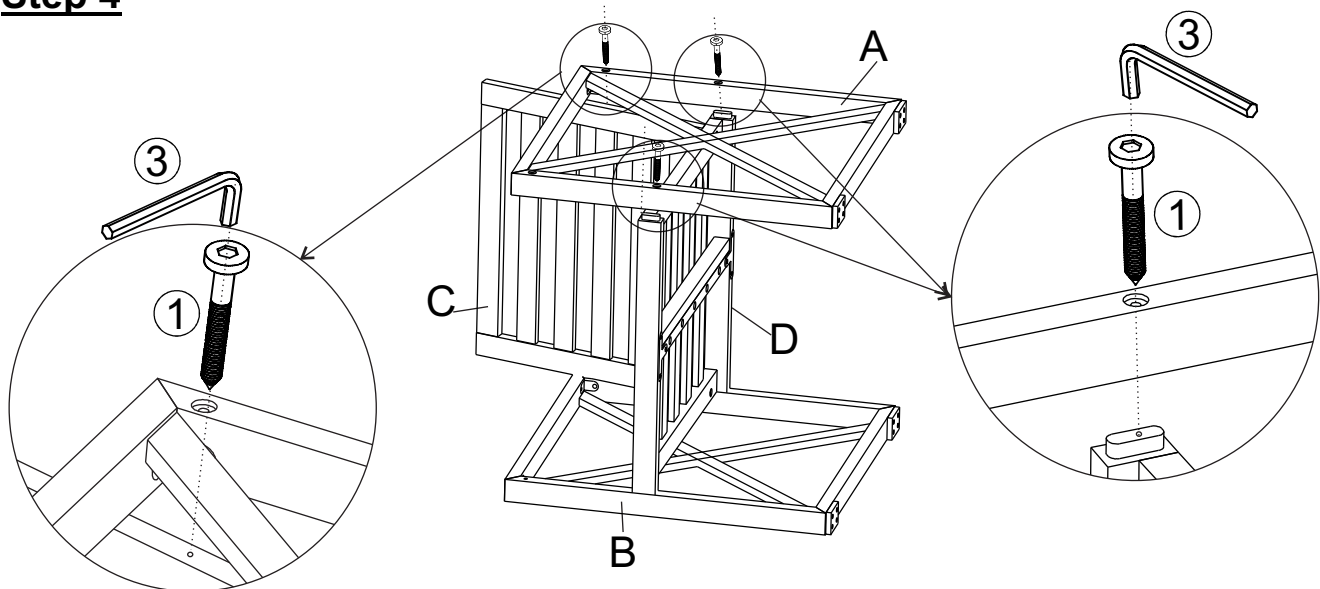


3.1) Put the tenon of Seat Panel (D) into the mortise of Left Leg Panel (B) and then using Screw (①) with Allen Key (③) to secure these parts as shown in above picture.

3.2) Attach Backrest Panel (C) to Left Leg Panel (B) using Screw (①) with Allen Key (③) as above picture.

Do not fully tighten Screws.

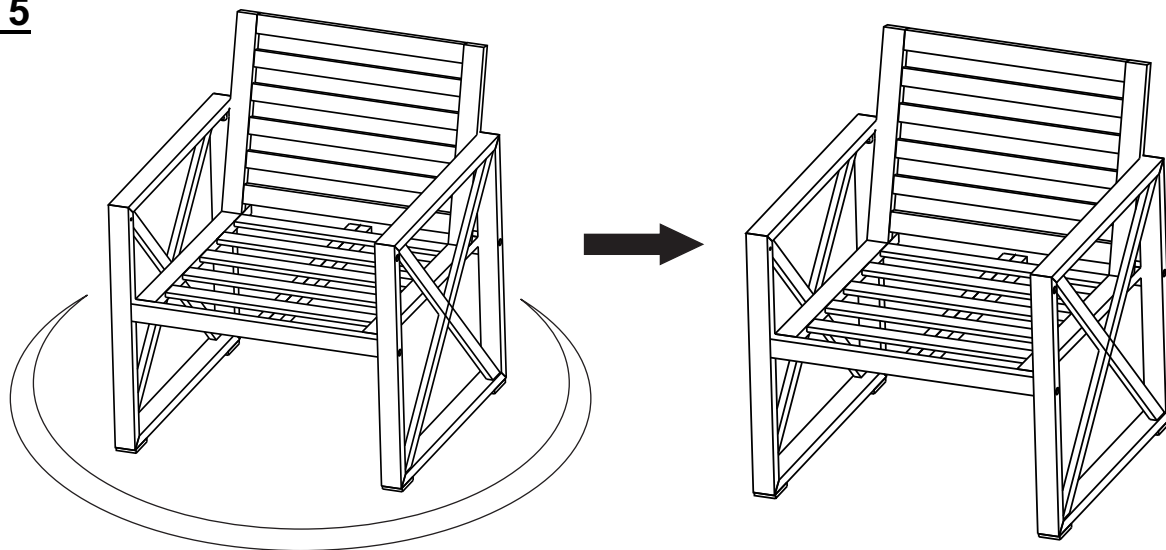
Step 4



With assistance from your adult partner, turn the Chair into the other side. Repeat the same process of Step 3 to secure Right Leg Panel (A) with Backrest Panel (C) and Seat Panel (D).

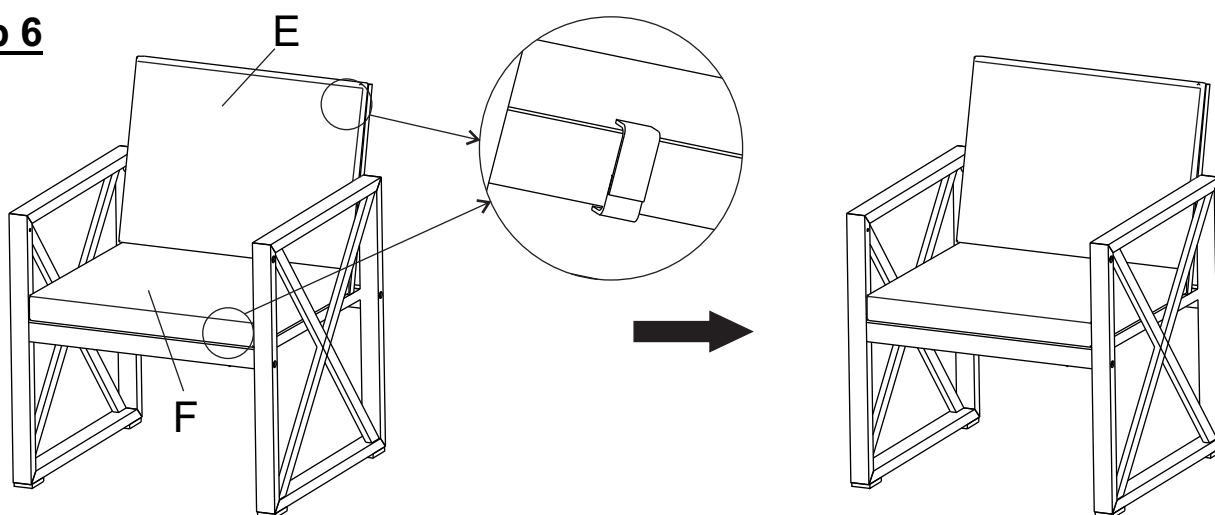
Do not fully tighten Bolts.

Step 5












Stand the Chair up, with assistance from your adult partner. Exert pressure floorwards, onto the Chair with both your hands. This pressure will help the Legs and Chair reach full alignment status. Check for wobbles on a LEVEL surface. If no wobbles are found proceed to tighten Bolts and Screws in a sequential manner, until evenly secured. When tightening Bolts and Screws tighten sequentially. **Do not tighten any Bolt and Screw fully and then move on towards the next one.** If there are still wobbles, loosen Bolts and Screws and execute the same above process.

Step 6



Put Backrest Cushion (E) and Seat Cushion (F) onto the Chair. Tie the velcro straps of Backrest Cushion (E) to the slat of Backrest Panel (C) and the velcro straps of Seat Cushion (F) to the slat of Seat Panel (D). Your Chair is ready for use. **This Arm Chair can only be used on a flat, level surface.**

Care & Maintenance

- ⊘  ● Do not put hot items directly on furniture surface.
 - ⊘  ● Do not clean furniture with harsh cleansers or polish.
 - ✓  ● To obtain the longest lifespan of your outdoor products, minimizing exposure to direct sunlight is recommended.
 - ⊘  ● Children should not climb or jump on the furniture.
 - ⊘  ● Do not write on furniture without a padded barrier to protect the surface.
 - ✓  ● To obtain the longest lifespan of your outdoor products, avoid extended and lengthy exposure to rain, snow, and direct sunshine. Whenever possible cover the product and /or place under patio or awnings.
 - ⊘  ● Not for commercial use. For residential use only.
 - ⊘  ● Stains may be removed with mild soap solution and damp cloth.
 - ✓  ● Dust and pick-up spills using a clean, non-colored, lint-free cloth .
-