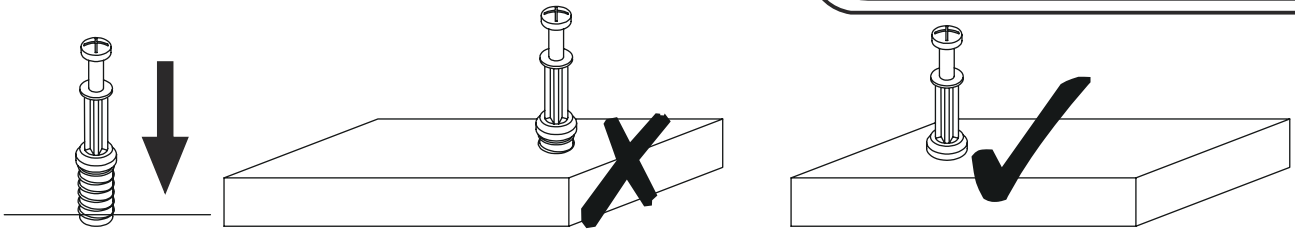
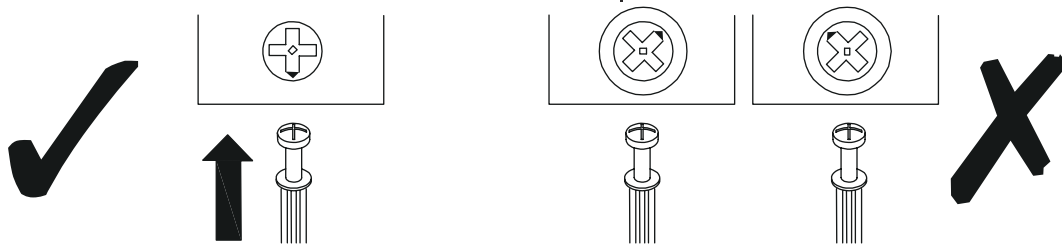


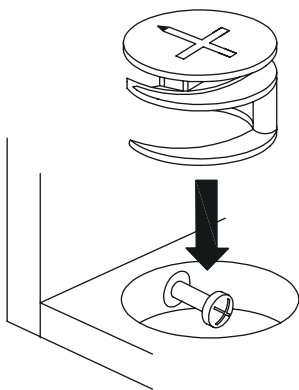
EN_IMPORTANT, RETAIN FOR FUTURE REFERENCE: READ CAREFULLY.



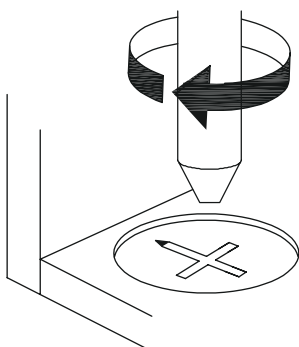
EN_QUICKFIT: Tighten quickfit until shoulder is flush with panel. Do not overtighten or undertighten.



EN_CAM LOCK: When fitting cam lock, ensure starting position is correct before you insert connecting quickfit.

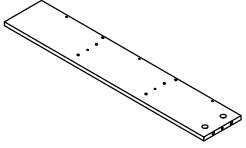
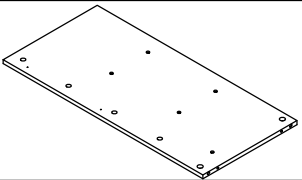
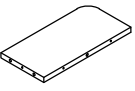
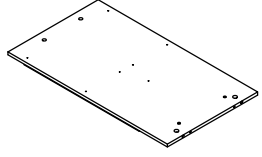
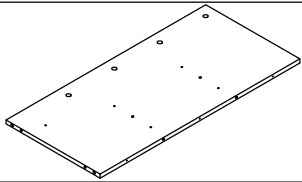
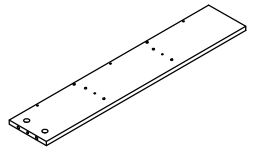
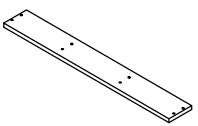
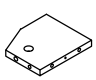
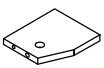
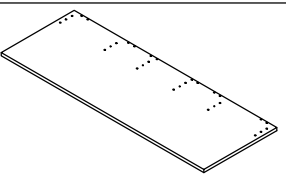


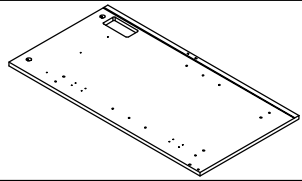
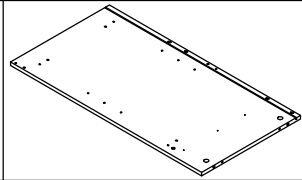
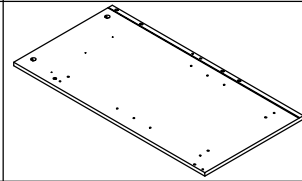
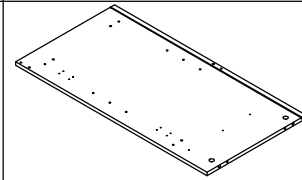
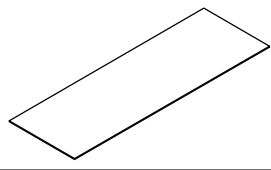
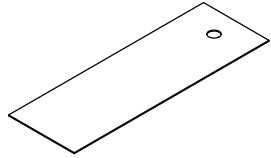
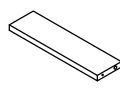
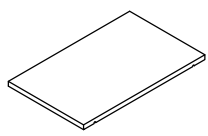
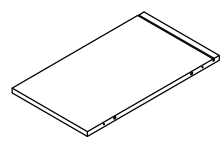
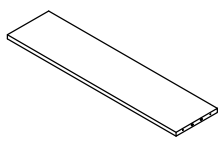
EN_Quickfit head should be in the centre of the cam lock when the two panels are joined.
Cam lock should be inserted before quickfit.



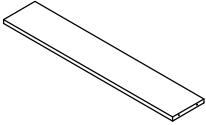
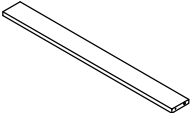
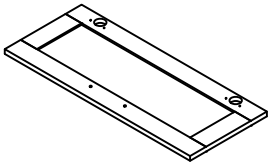
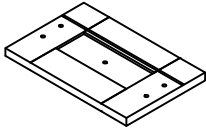
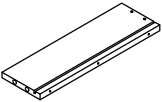
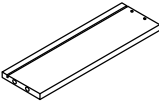
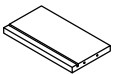
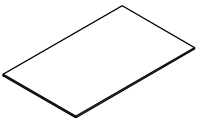
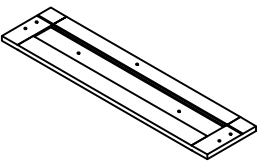
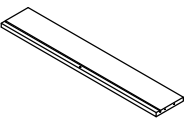
EN_Turn cam lock clockwise to tighten.

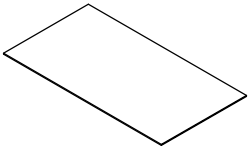
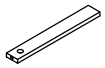
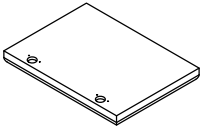
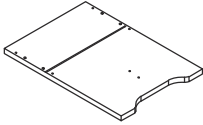
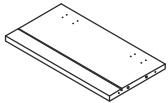
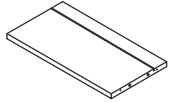
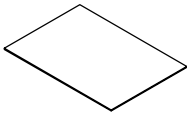
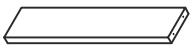

PACKING DELALS

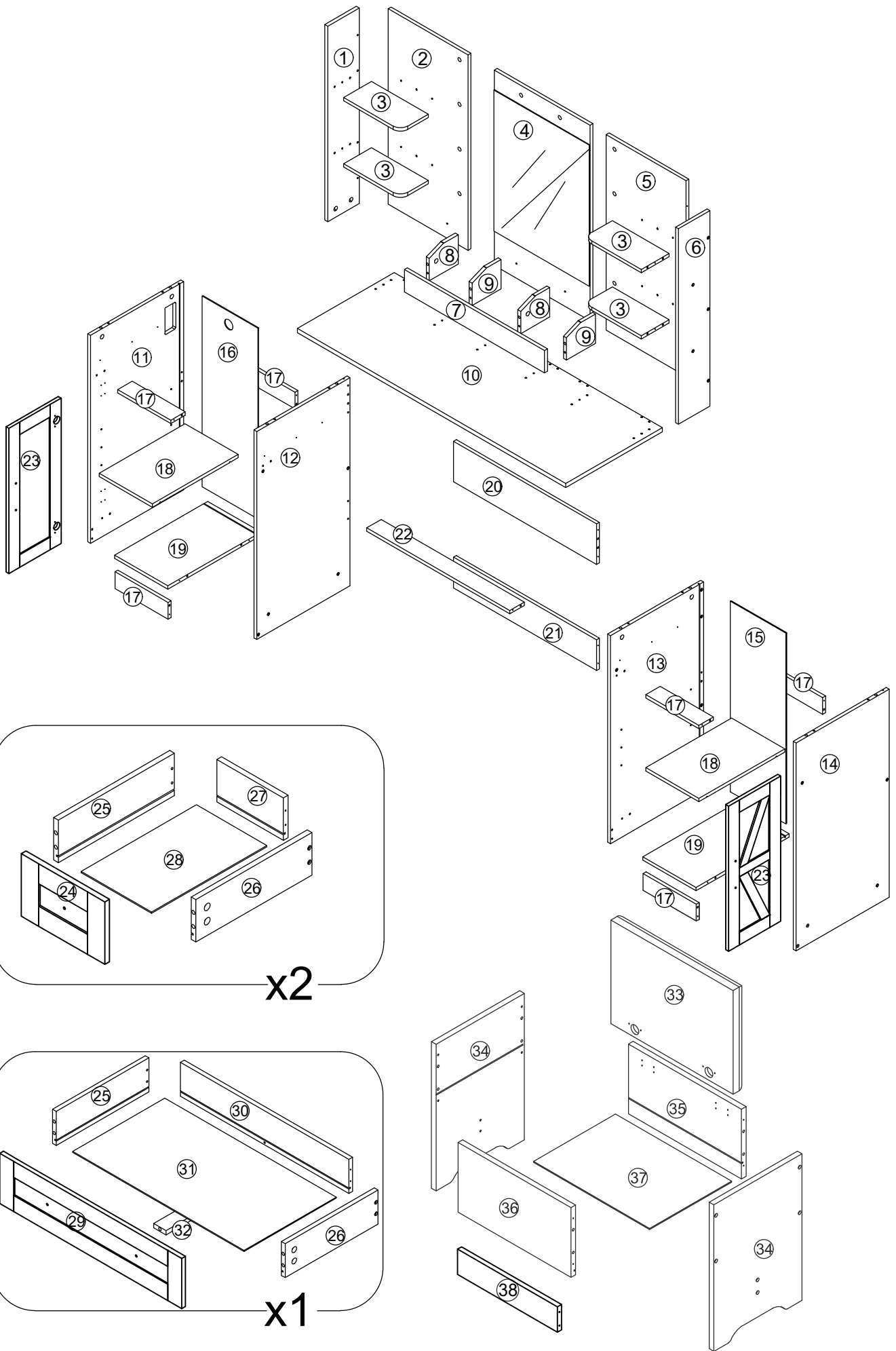
NO.	PARTS	QTY	SPARE
①		x1	
②		x1	
③		x4	
④		x1	
⑤		x1	
⑥		x1	
⑦		x1	
⑧		x2	
⑨		x2	
⑩		x1	

NO.	PARTS	QTY	SPARE
⑪		x1	
⑫		x1	
⑬		x1	
⑭		x1	
⑮		x1	
⑯		x1	
⑰		x6	
⑱		x2	
⑲		x2	
⑳		x1	

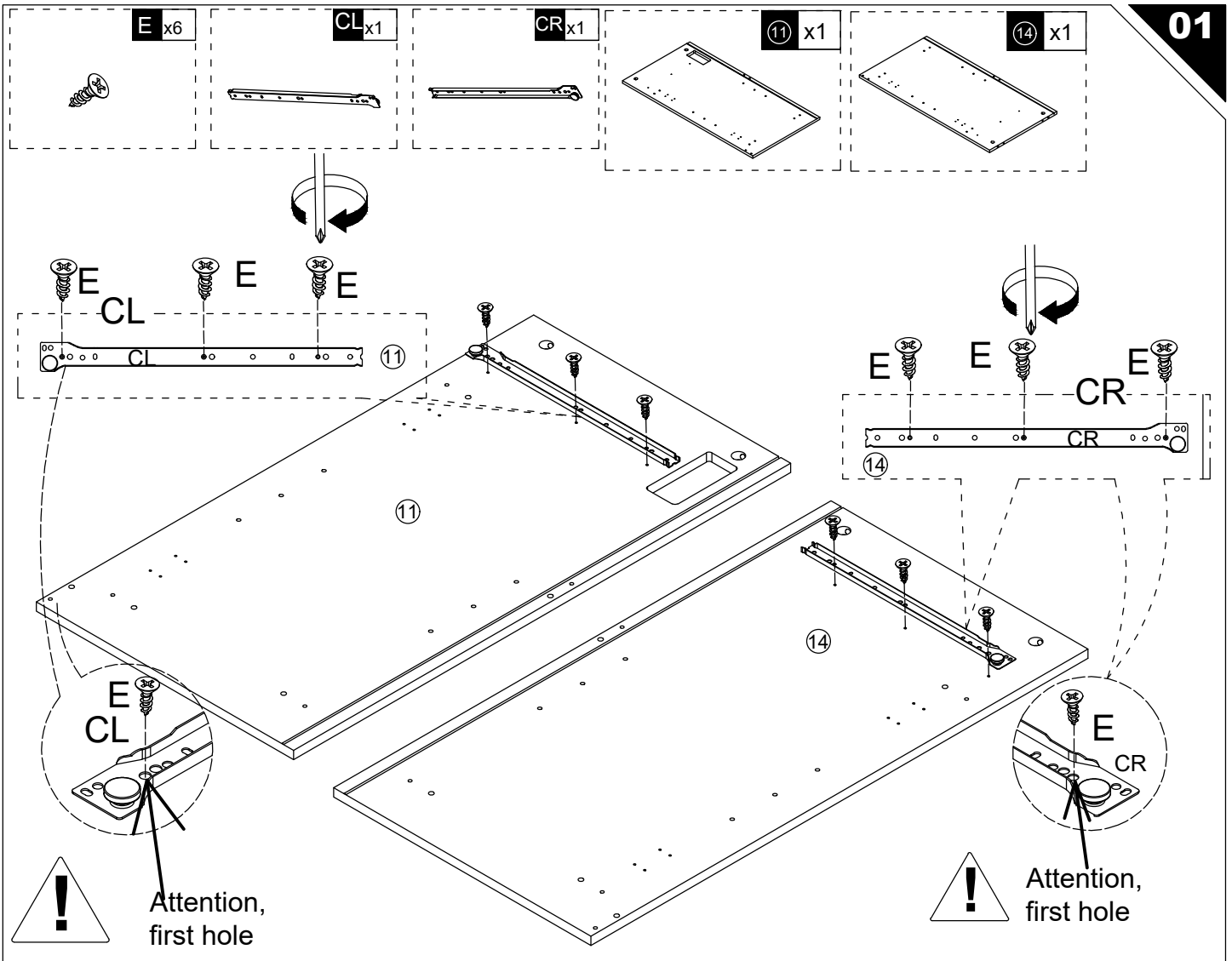
PACKING DELALS

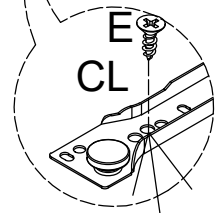
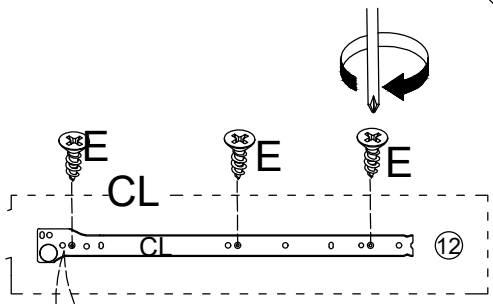
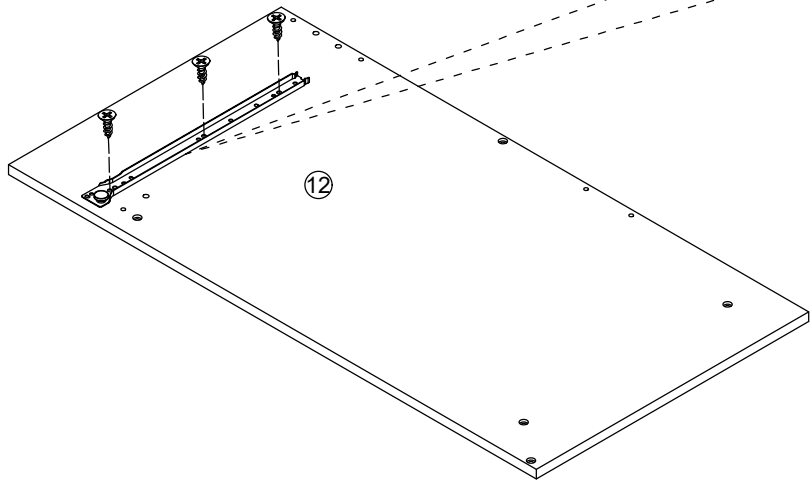
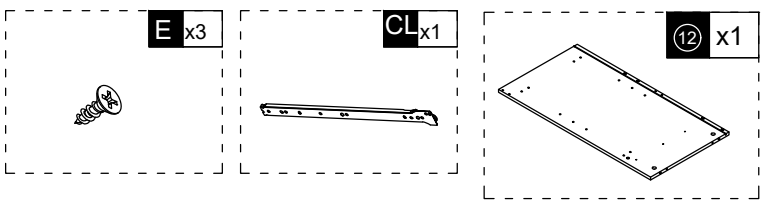
NO.	PARTS	QTY	SPARE
21		x1	
22		x1	
23		x2	
24		x2	
25		x3	
26		x3	
27		x2	
28		x2	
29		x1	
30		x1	

NO.	PARTS	QTY	SPARE
31		x1	
32		x1	
33		x1	
34		x2	
35		x1	
36		x1	
37		x1	
38		x1	
	 Hardware Kit		

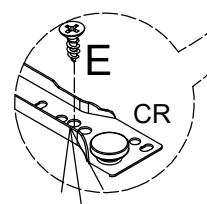
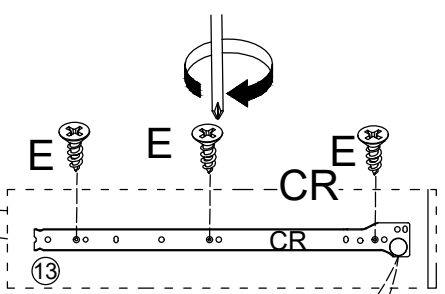
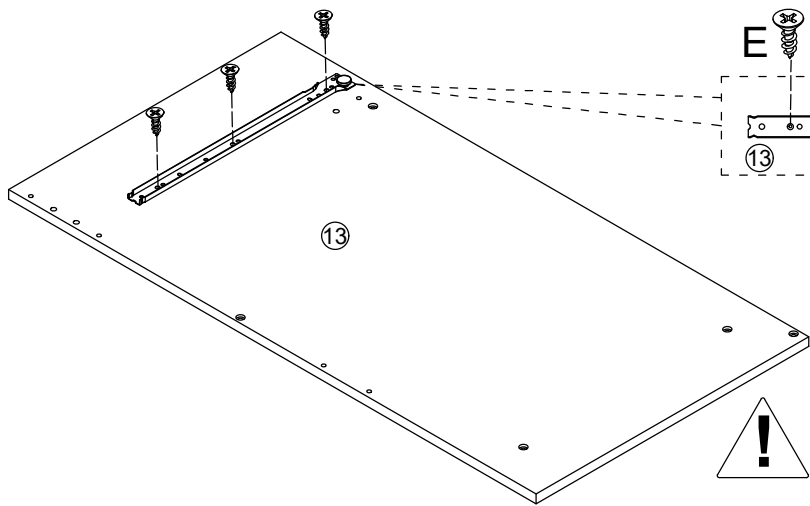
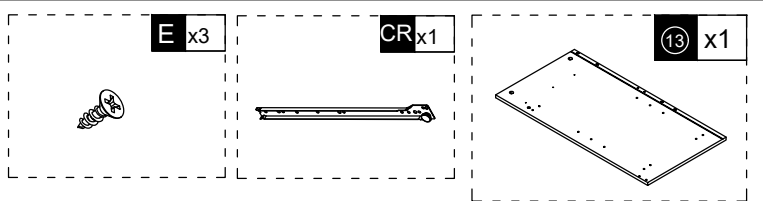


A x35 Ø6x35mm +2(spare)	B x35 Ø15x10mm +2(spare)	C x78 Ø6x30mm +2(spare)	D x83 Ø4x35mm +2(spare)	E x36 +3(spare)	F x4
G x2	H x8 +1(spare)	I x4	J x1	K x11 +1(spare)	L x2
M x2 Ø6x30mm	N x8	O x4	P x36 Ø3.5x12mm +2(spare)	Q x8 Ø20mm	R x42 Ø15mm +2(spare)
S x1	T x2 Ø3x12mm	U-1 x1	U-2 x1	U-3 x10	U-4 x10
W x2	CL x3 L300mm	CR x3 L300mm	DL x3 L300mm	DR x3 L300mm	





! Attention, second hole

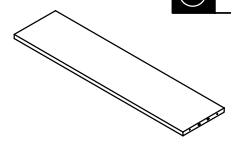


! Attention, second hole

C x6

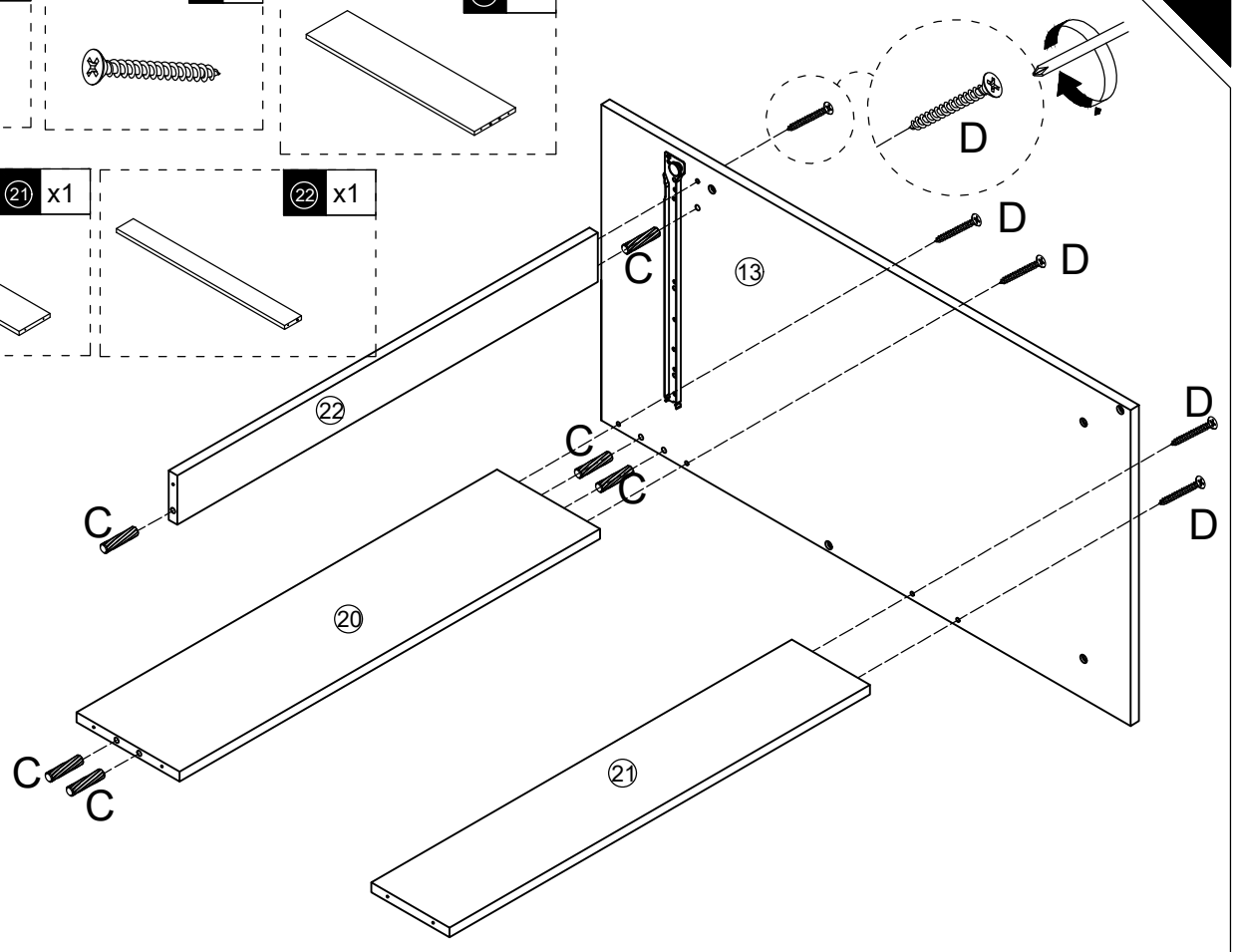
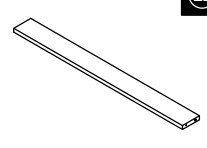
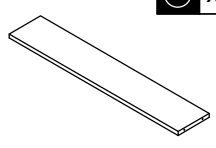
D x5

20 x1

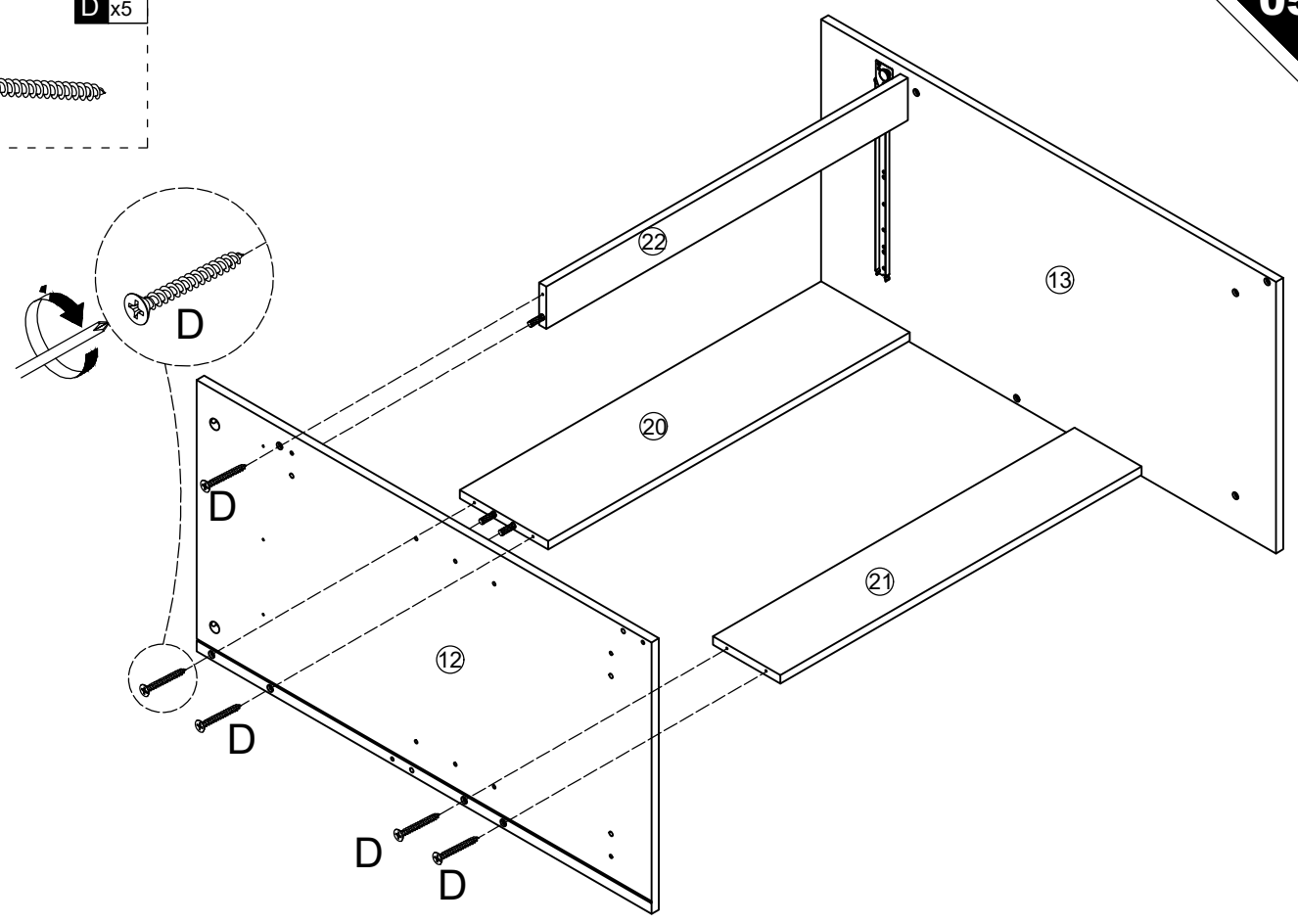


21 x1

22 x1



D x5



C x4

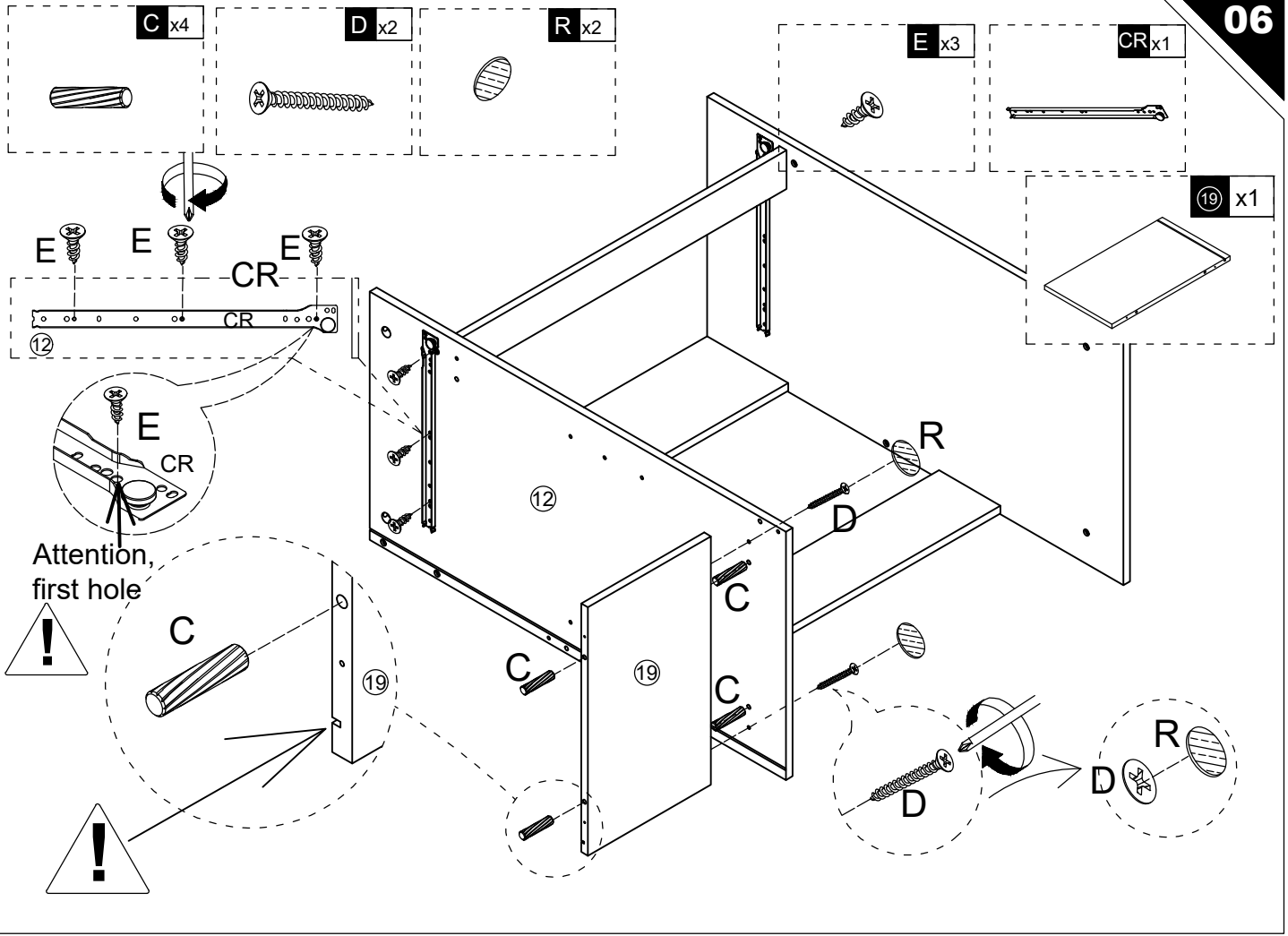
D x2

R x2

E x3

CR x1

19 x1

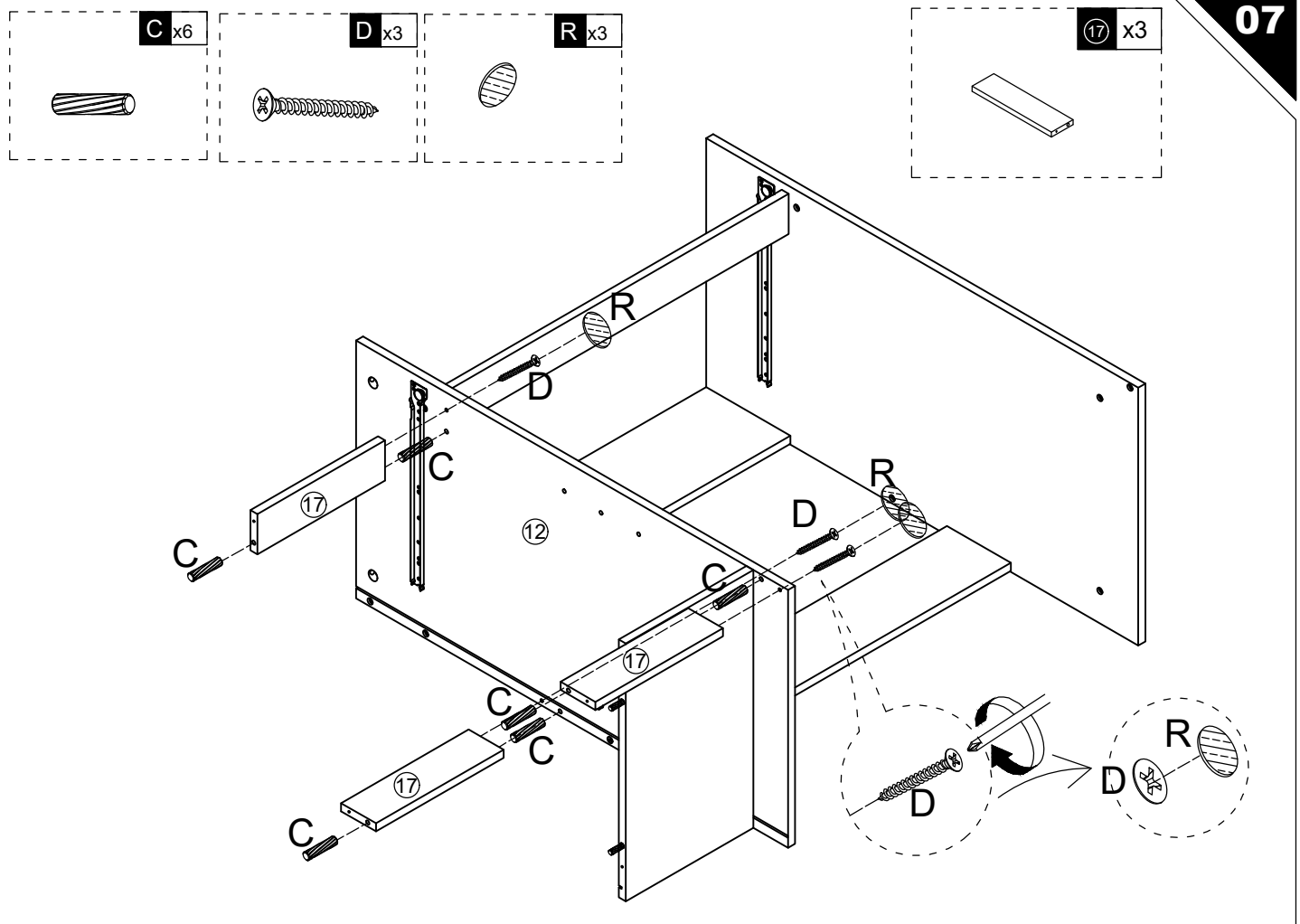


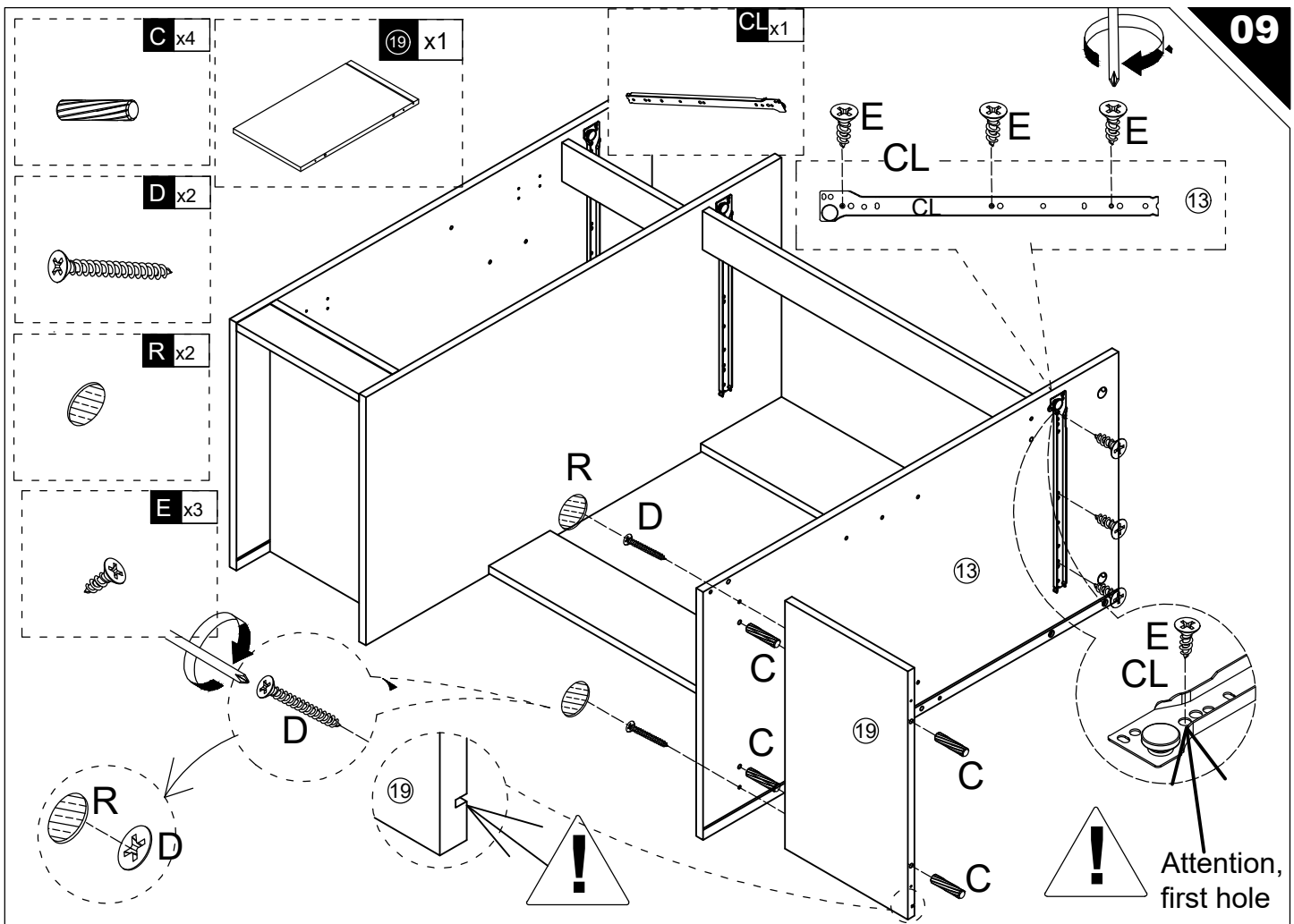
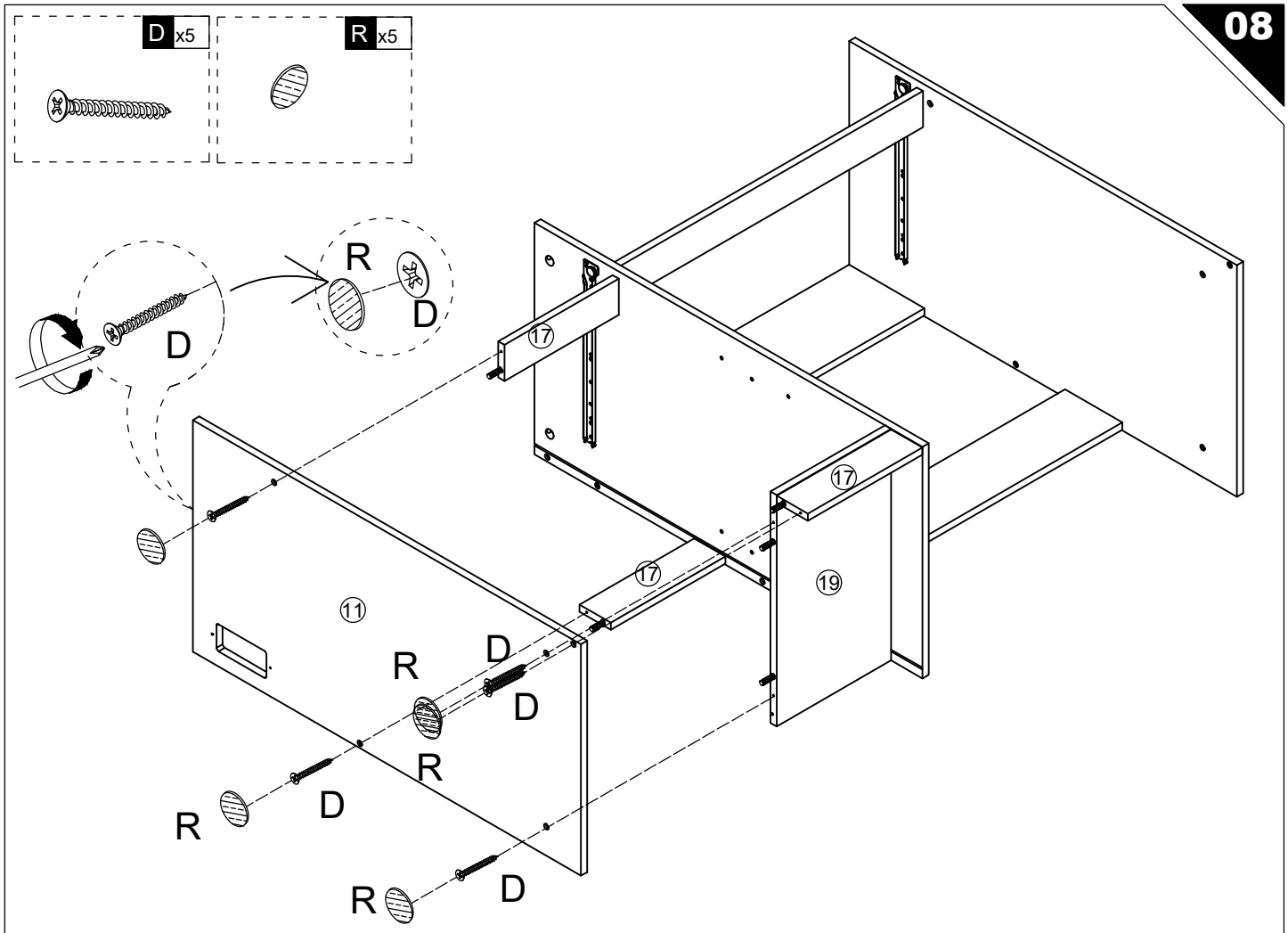
C x6

D x3

R x3

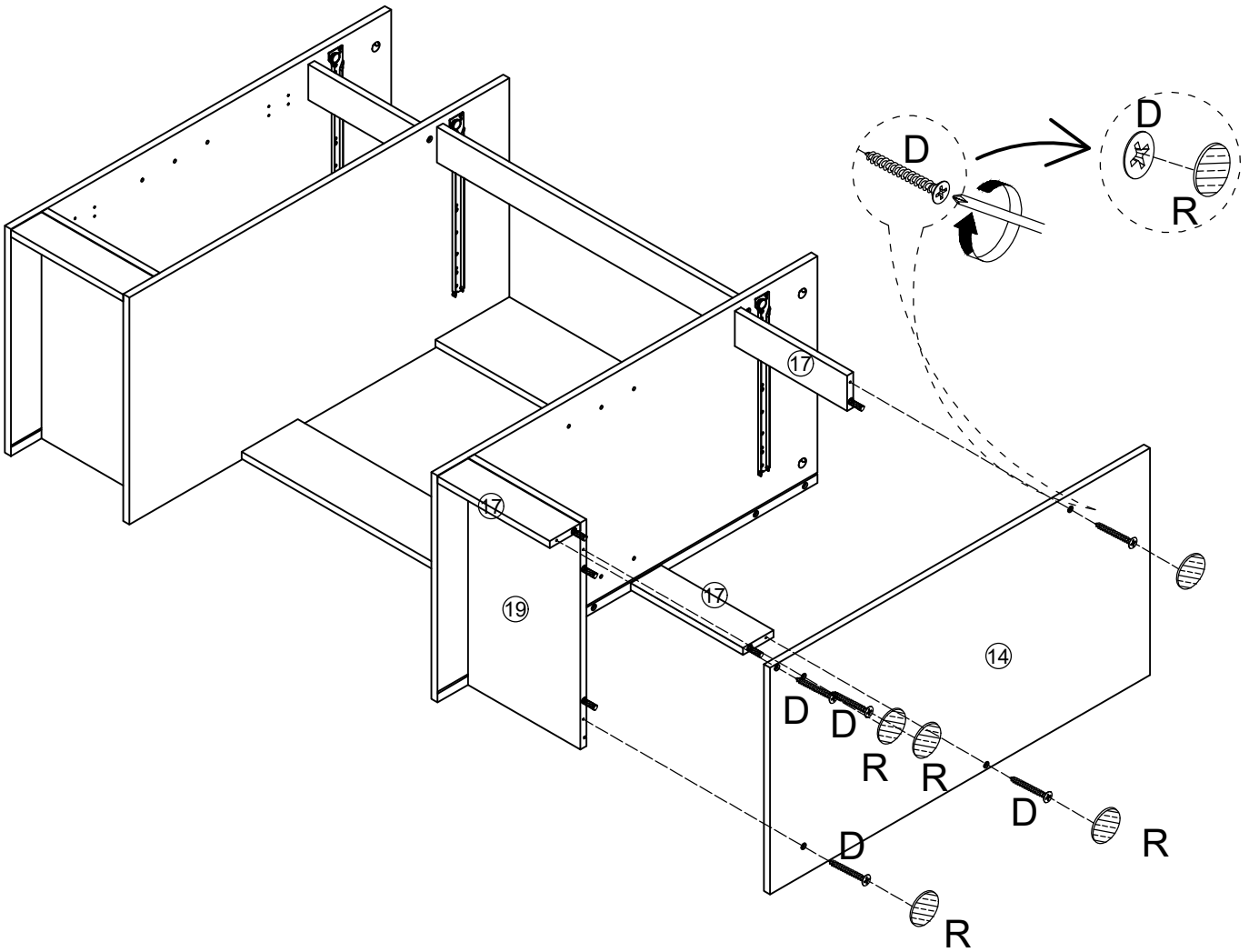
17 x3

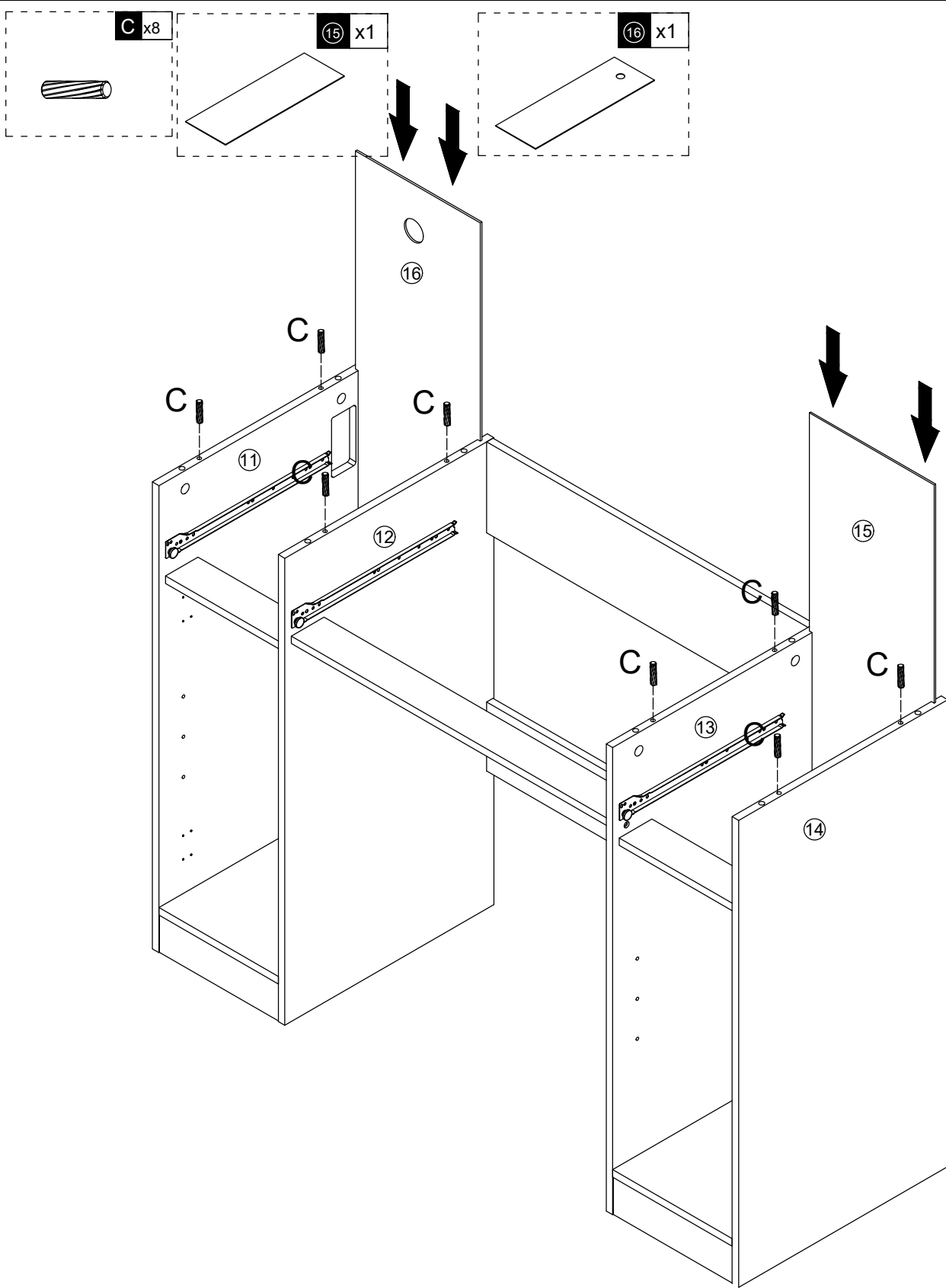


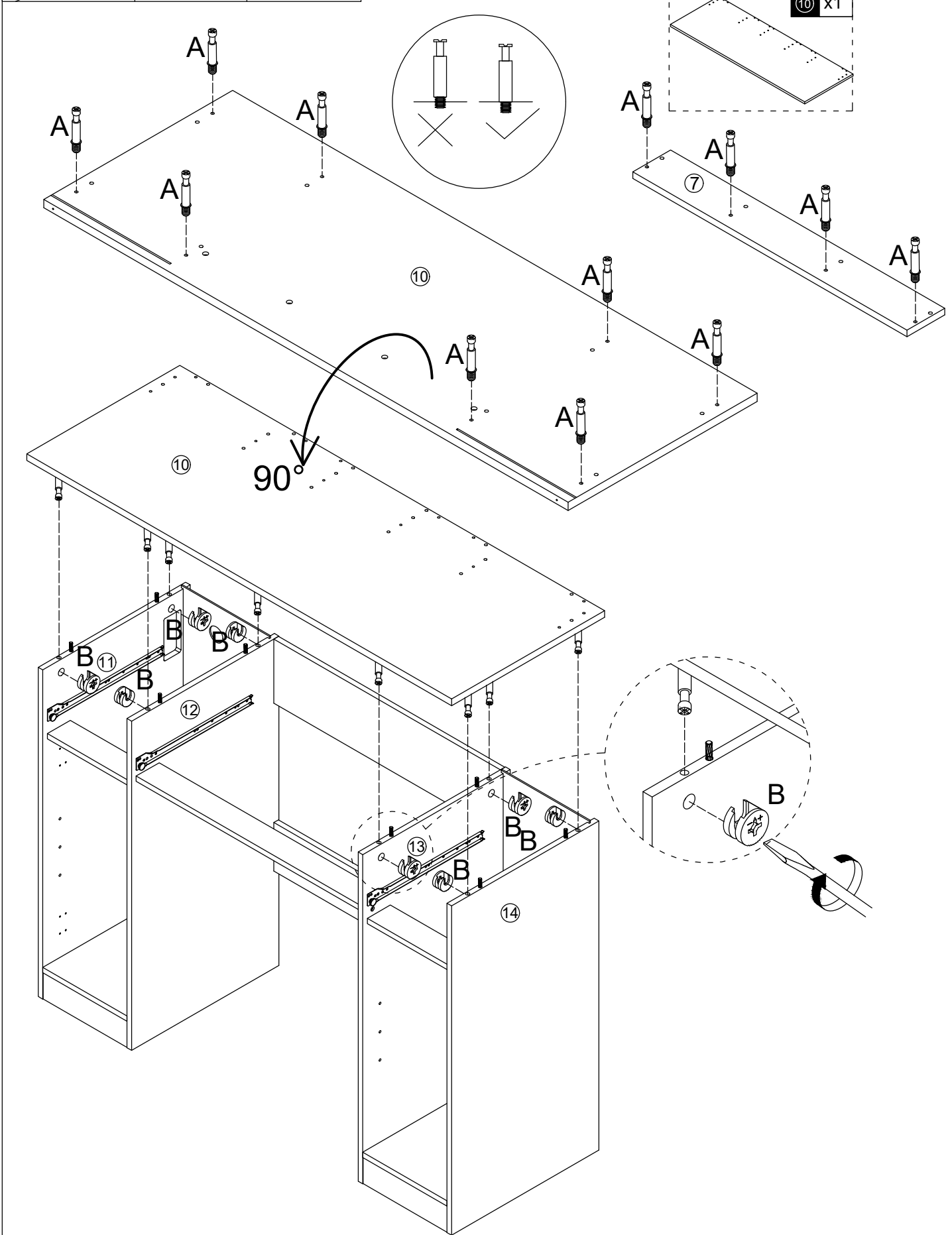
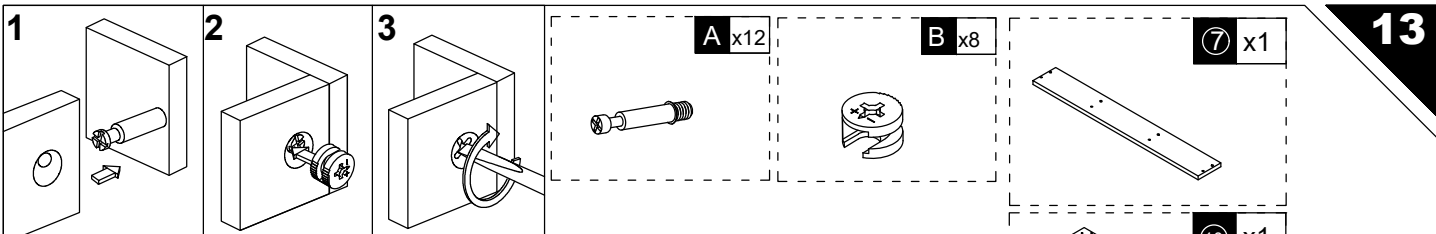


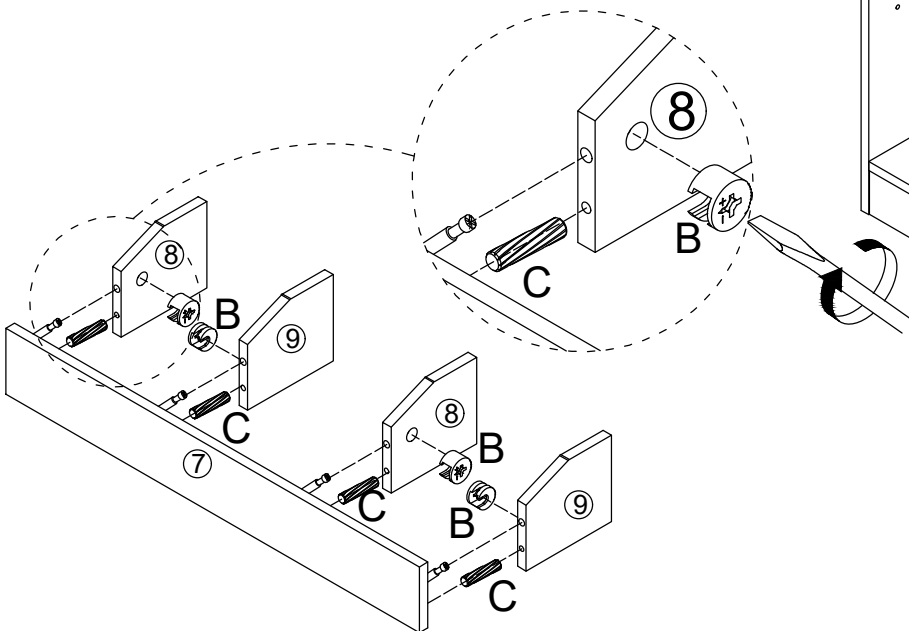
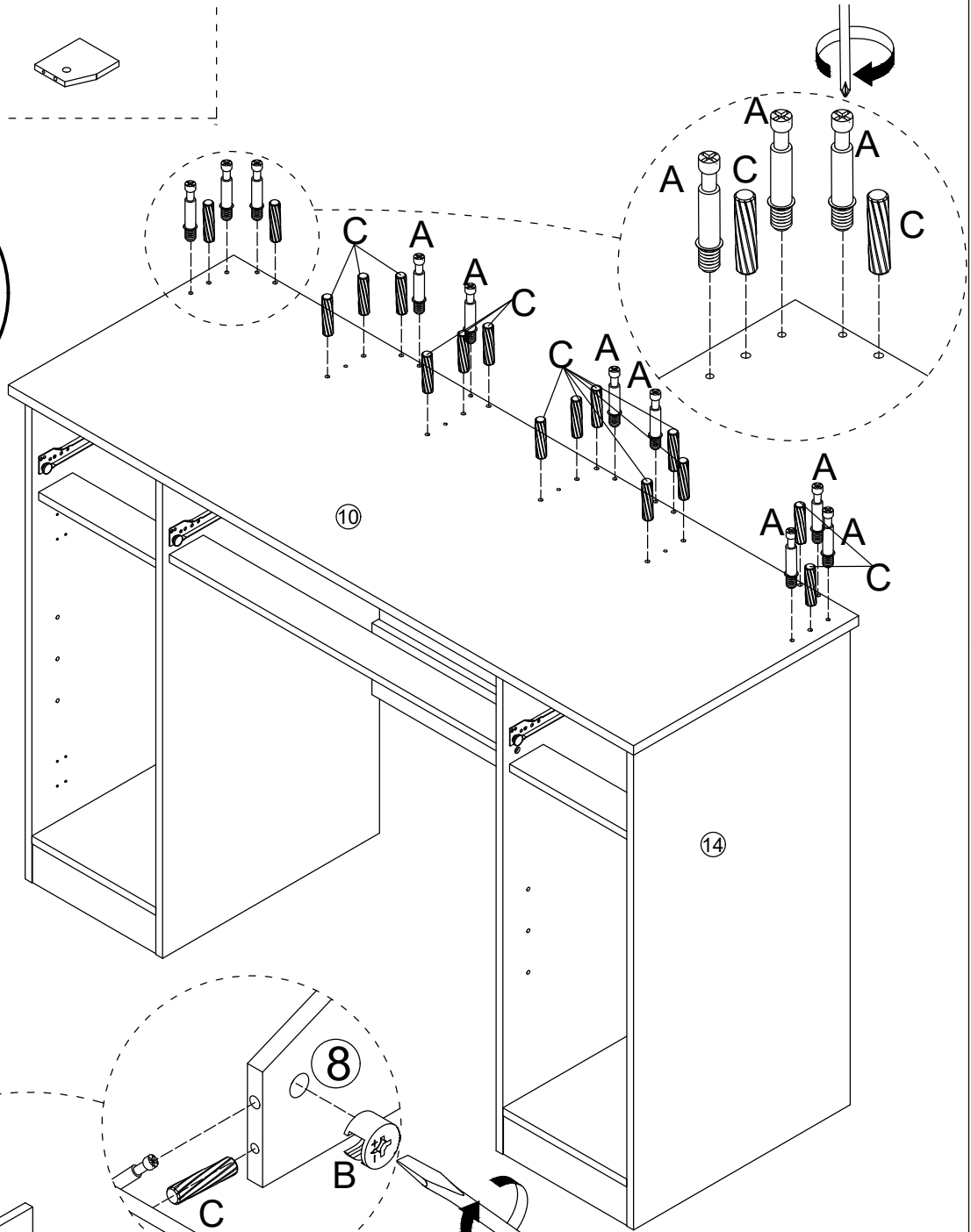
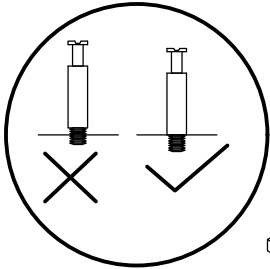
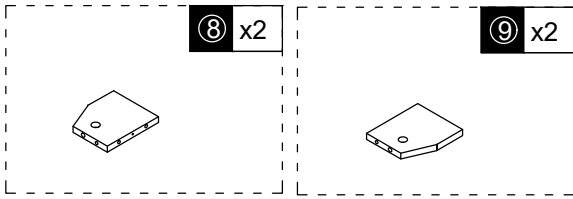
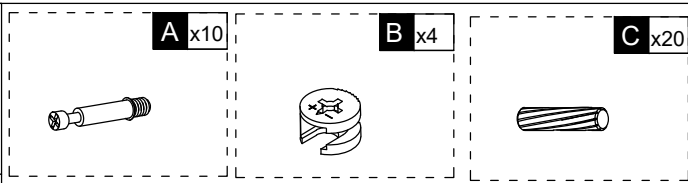
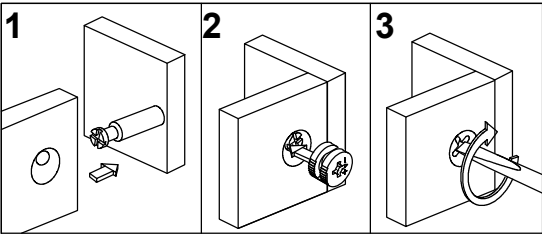
D x5

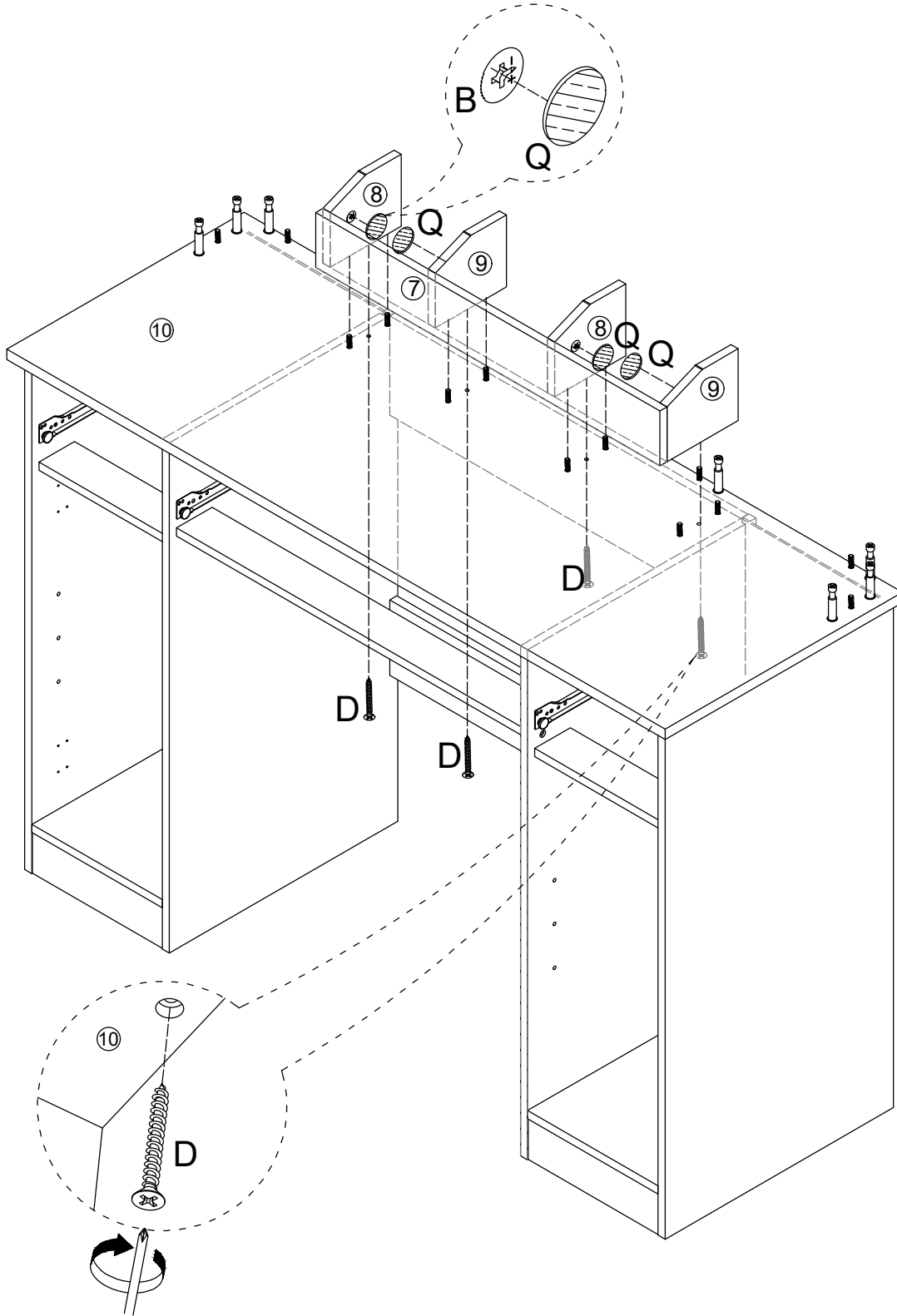
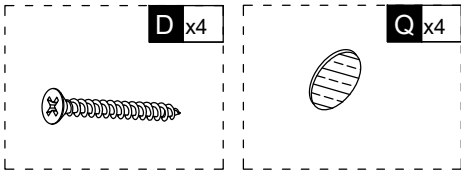
R x5

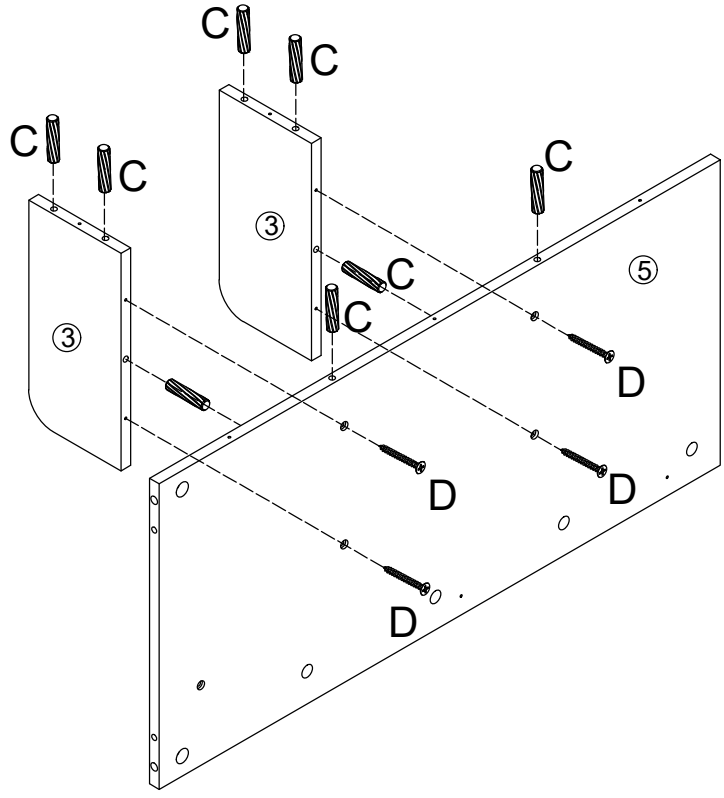
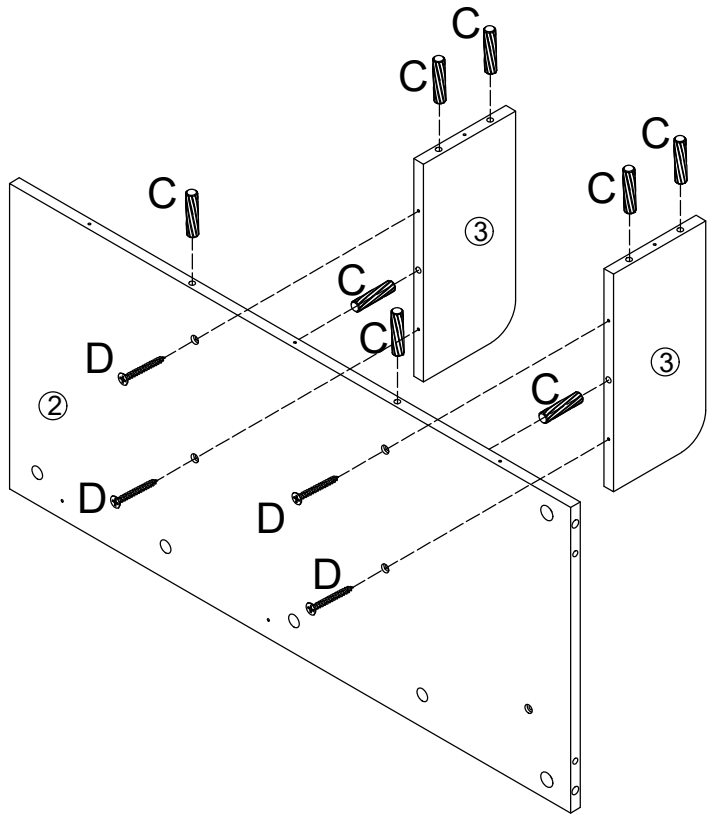
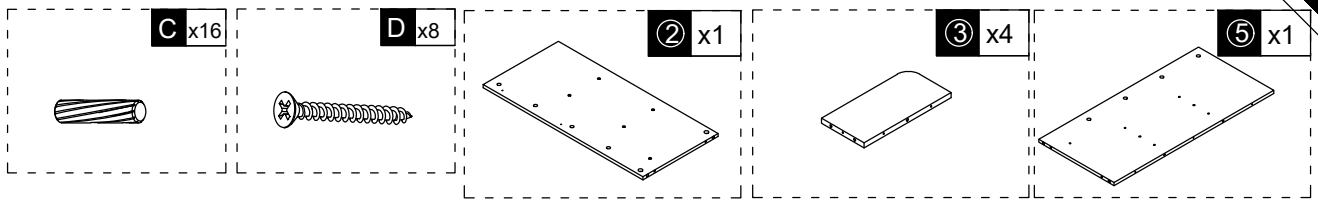


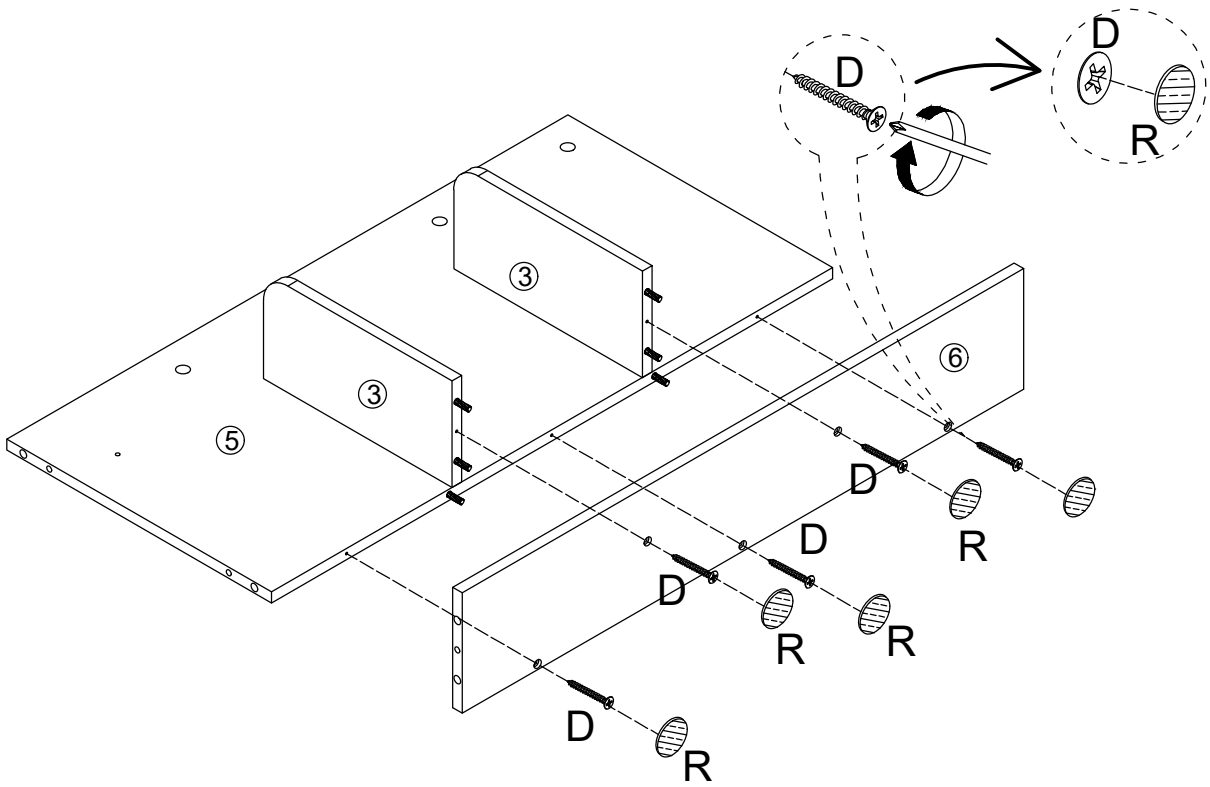
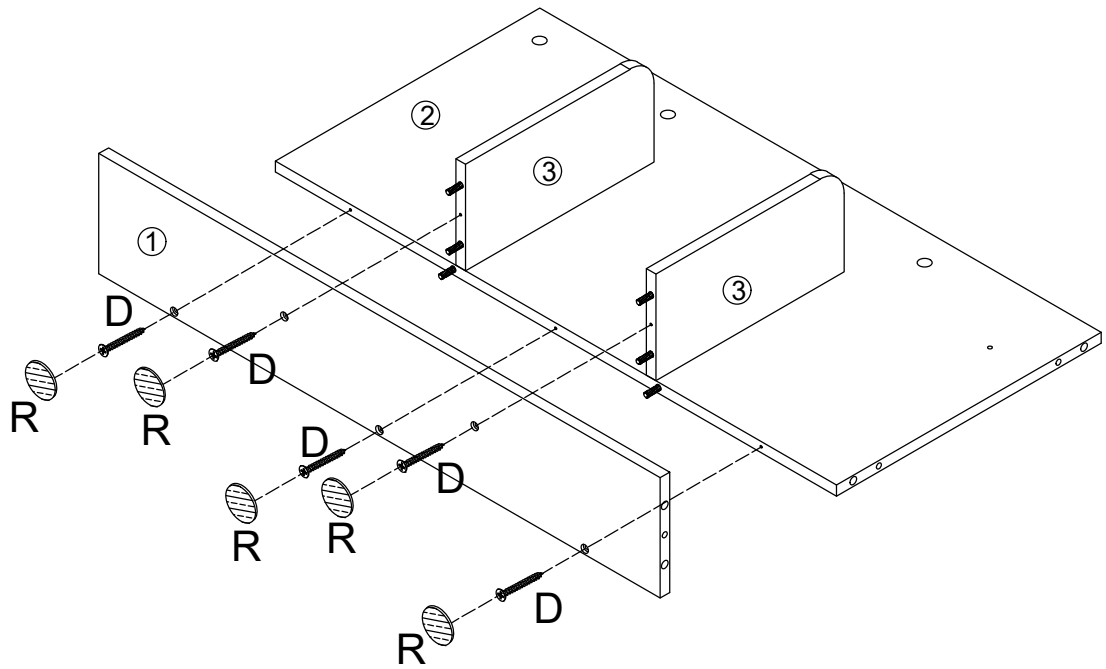
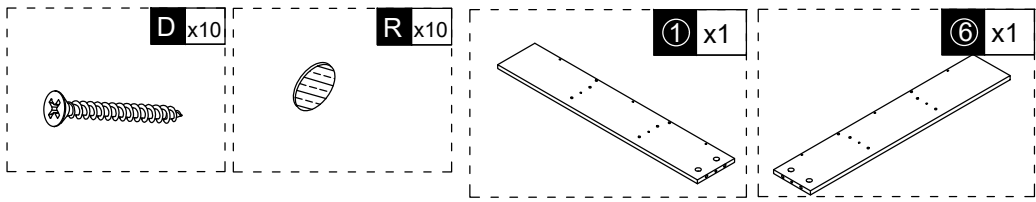


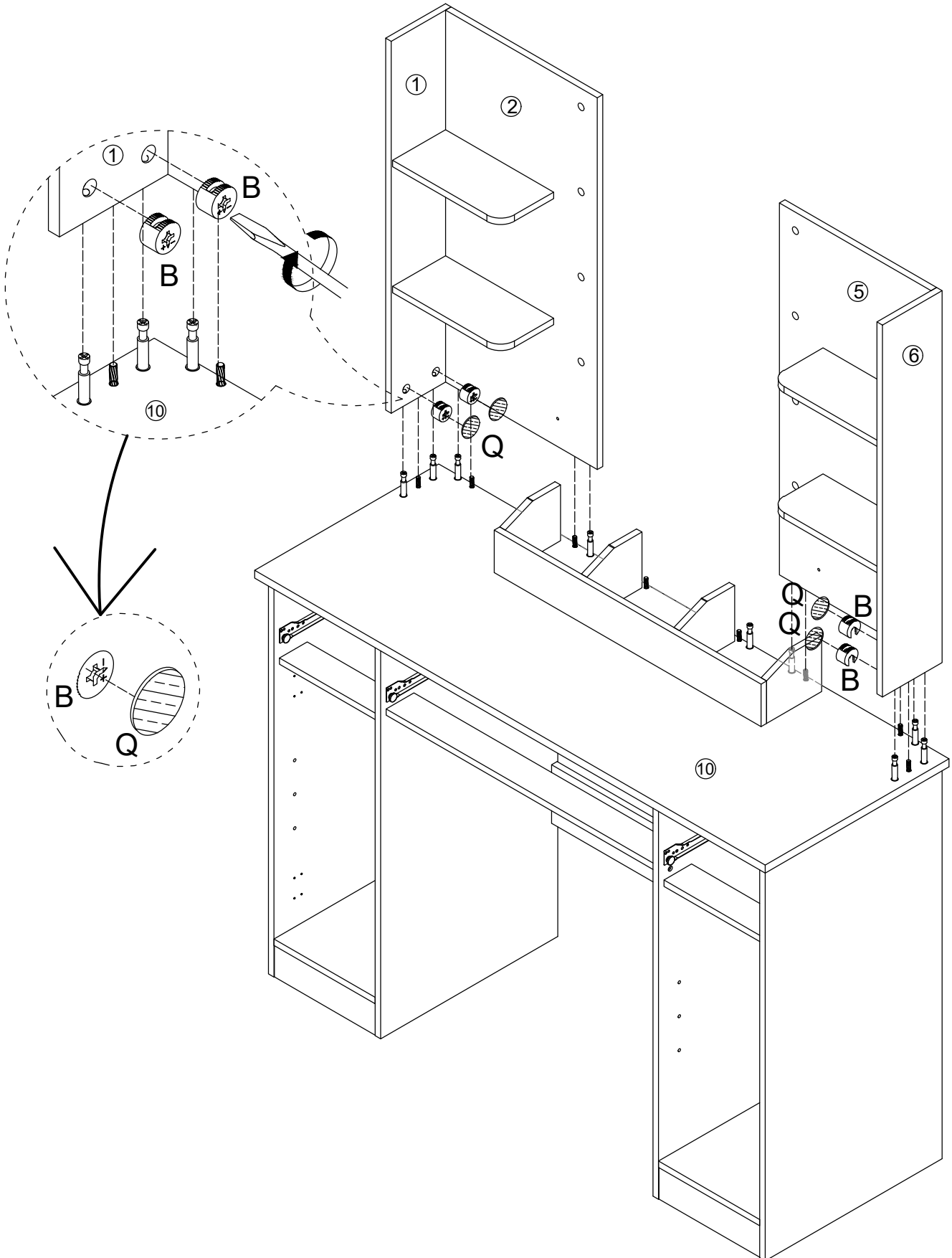
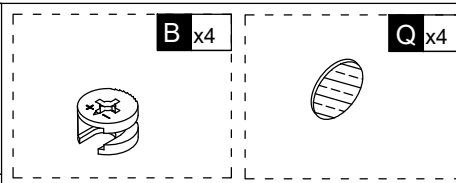
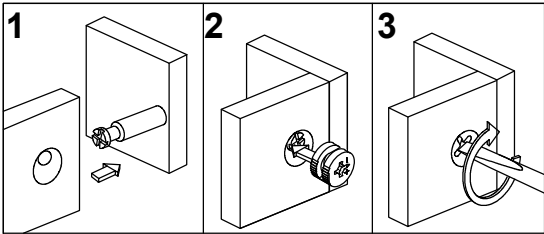


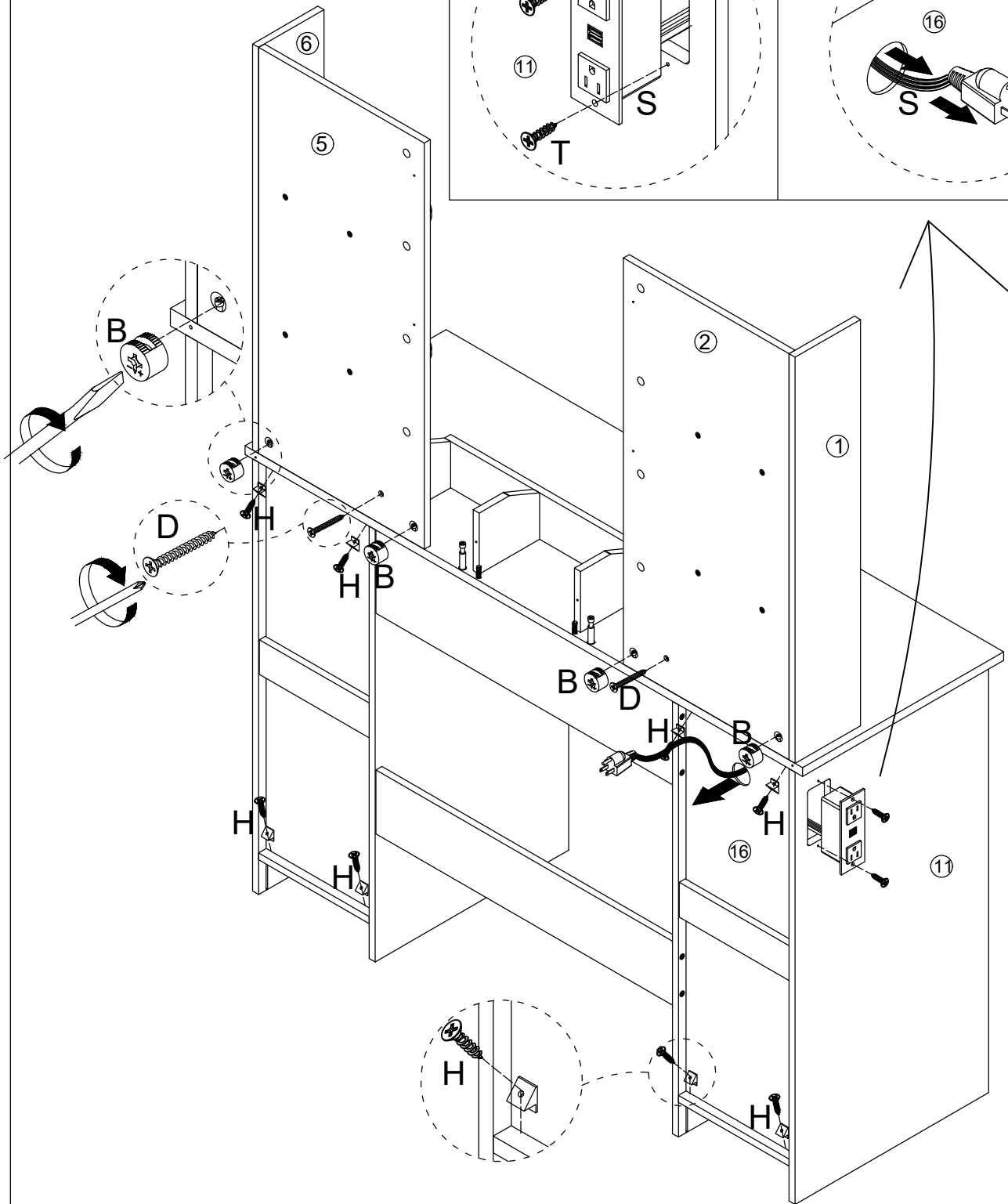
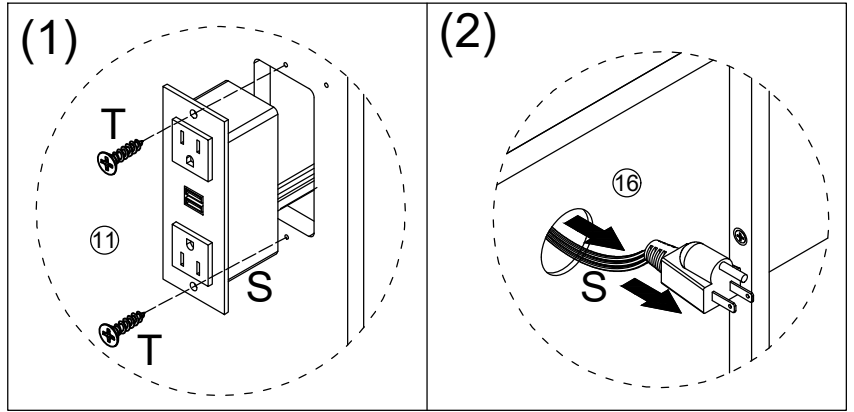
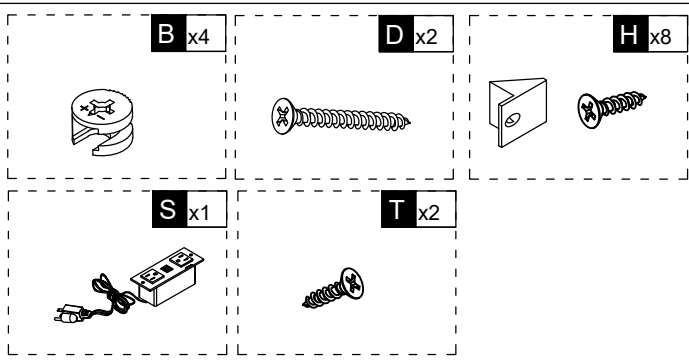
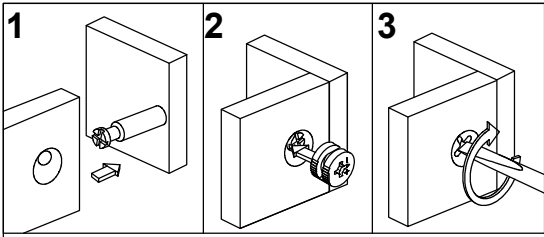


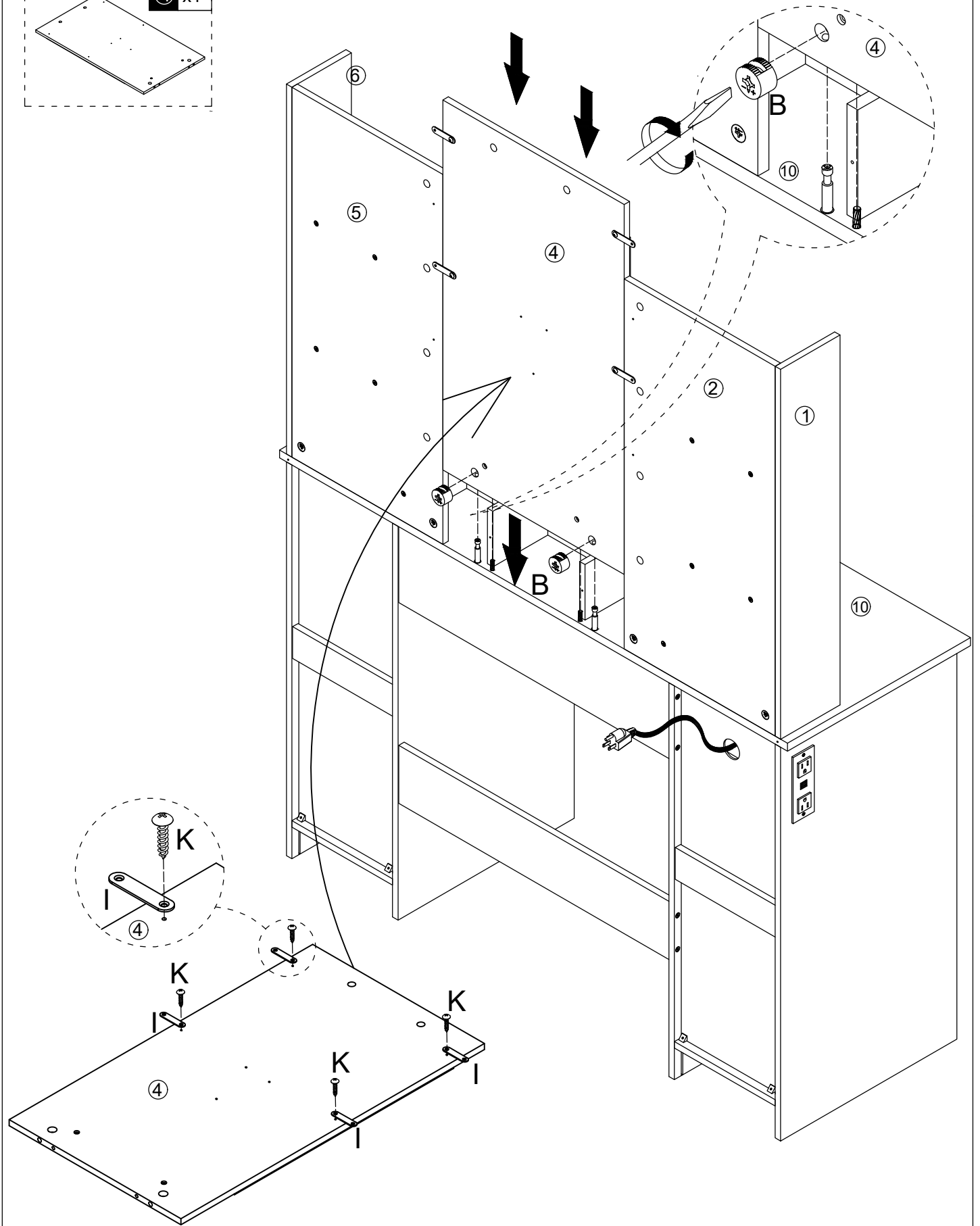
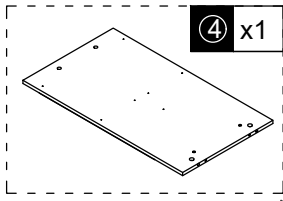
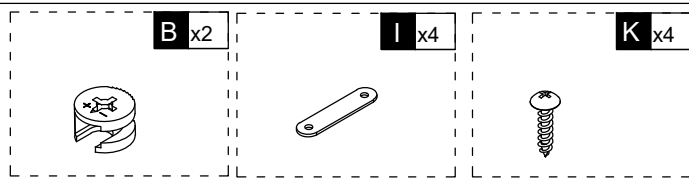
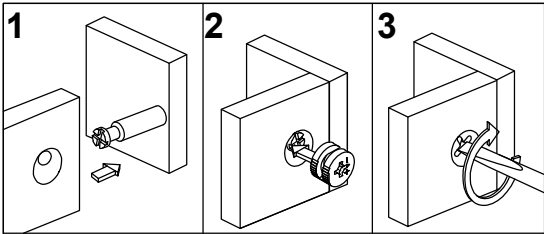








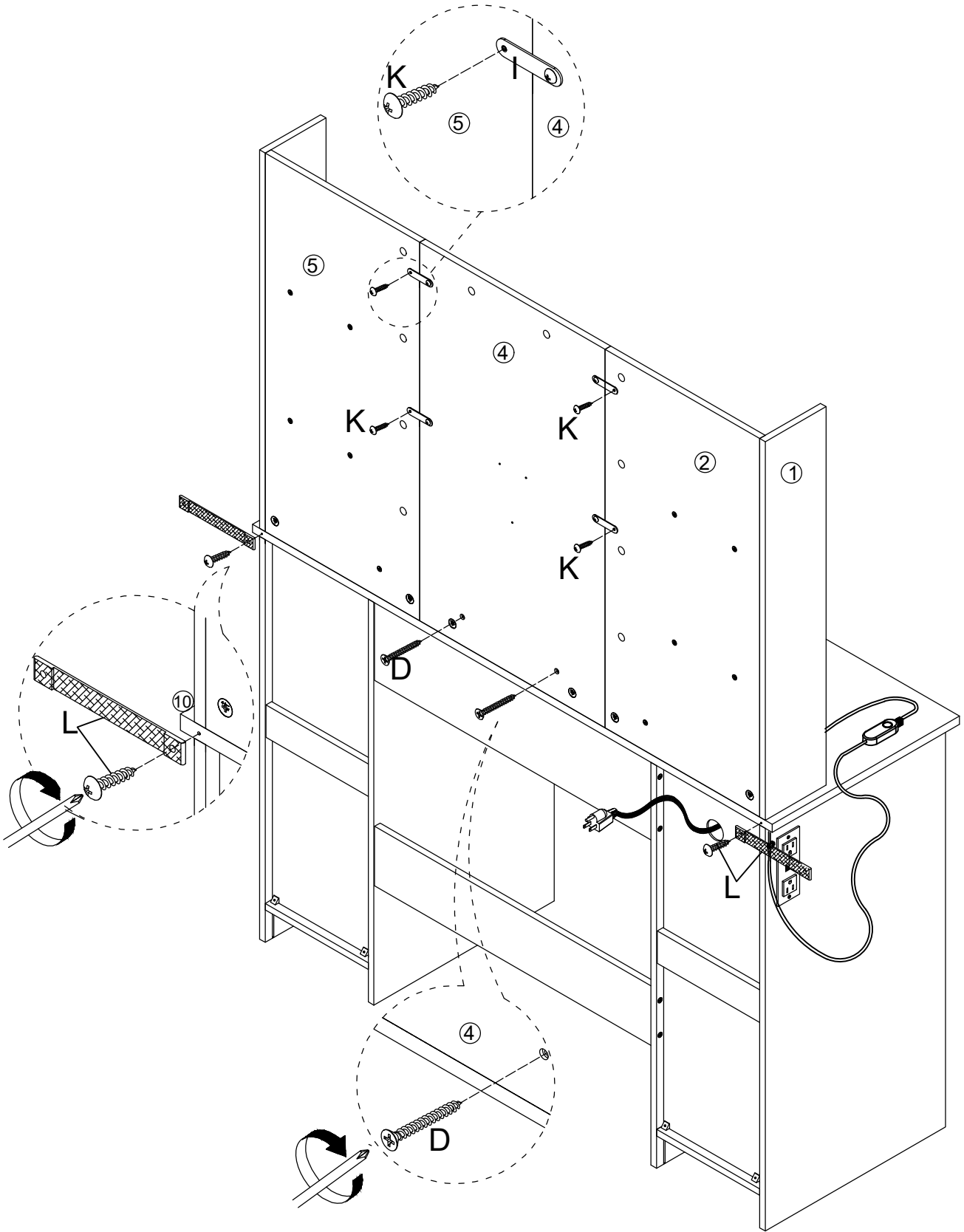
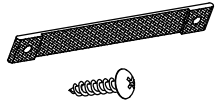
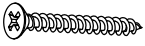


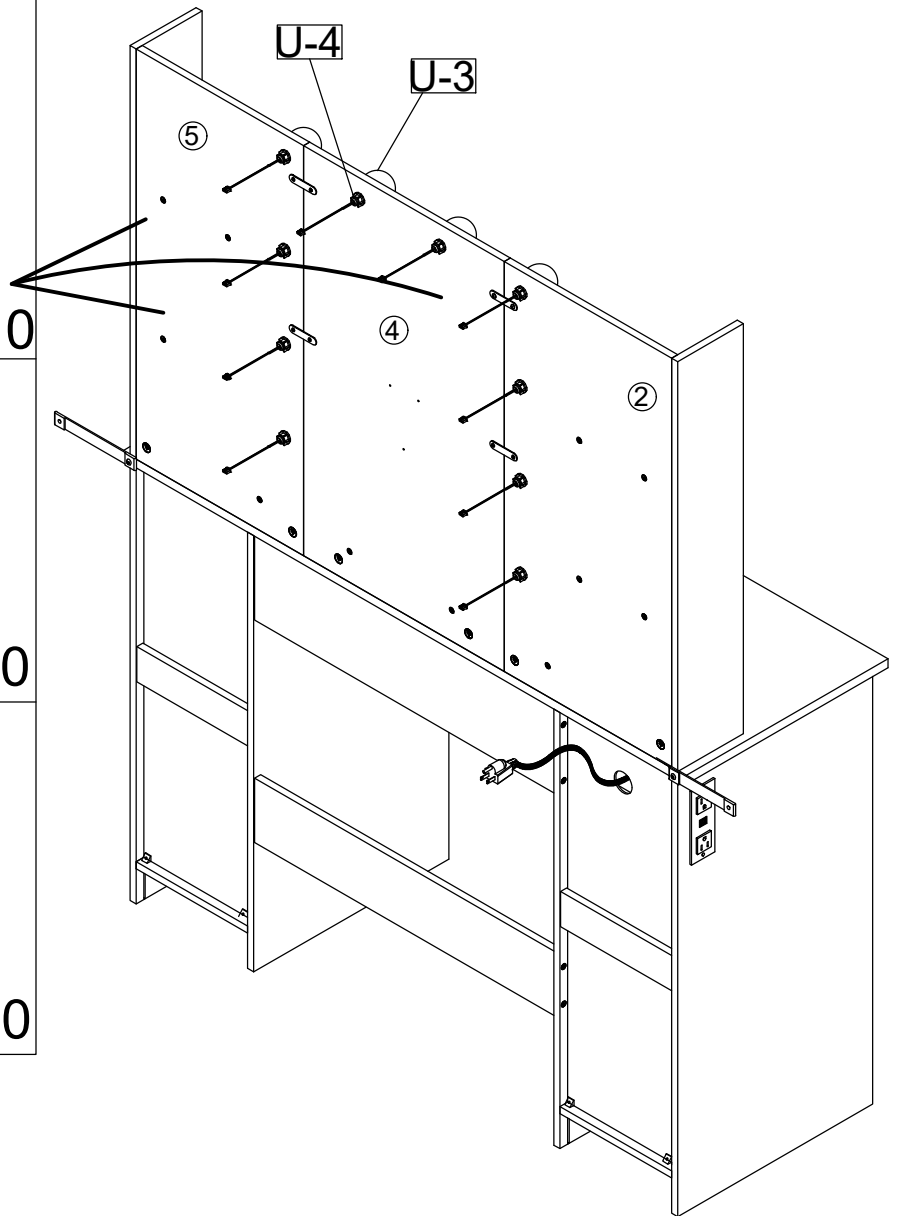
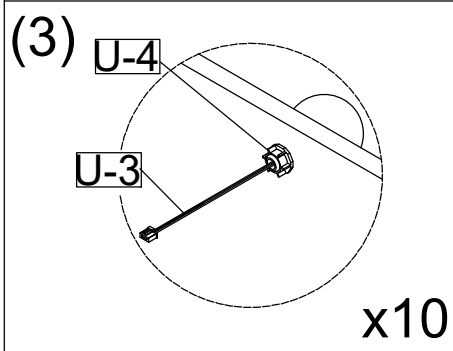
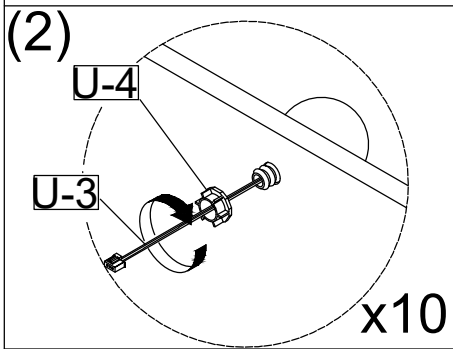
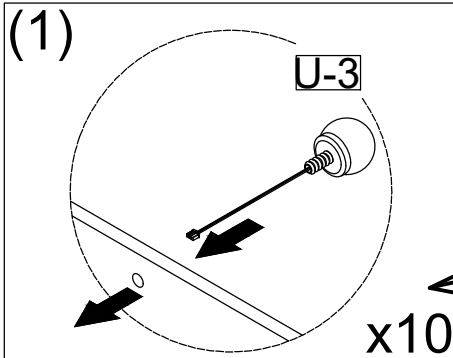
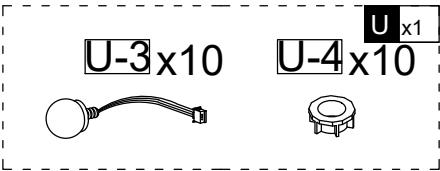


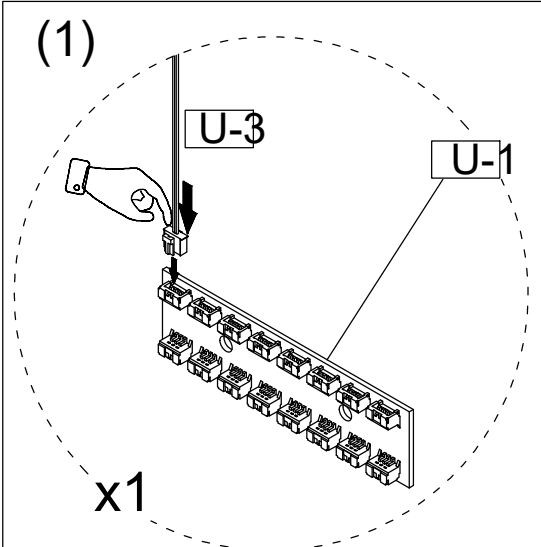
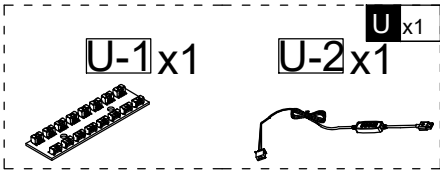
D x2

K x4

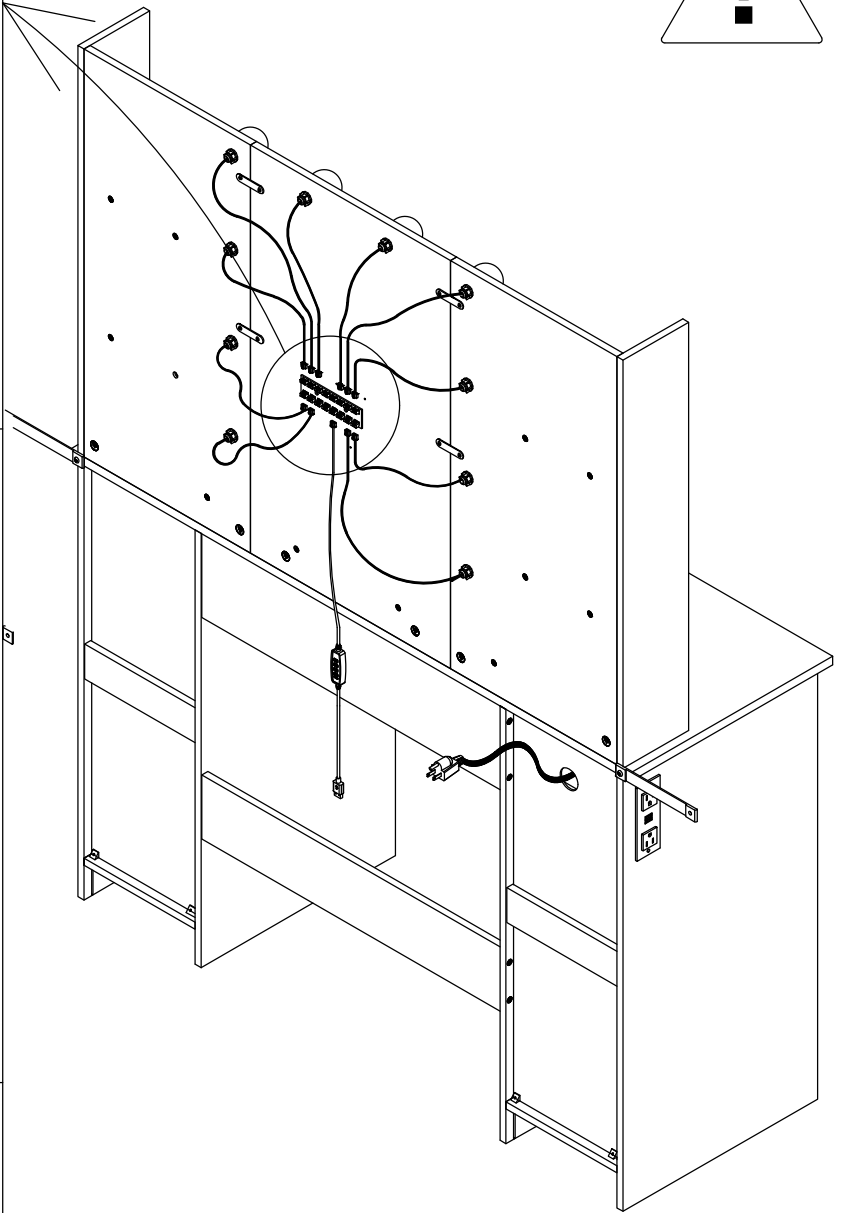
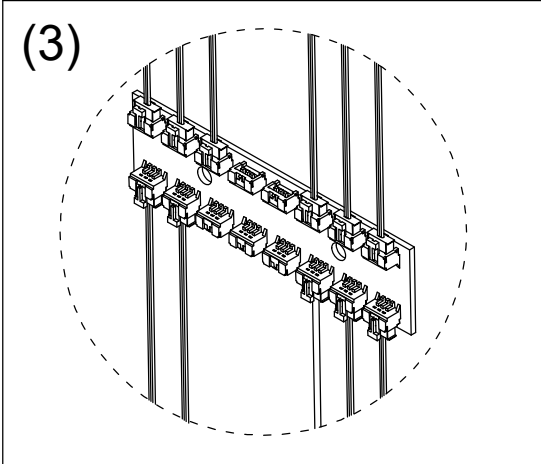
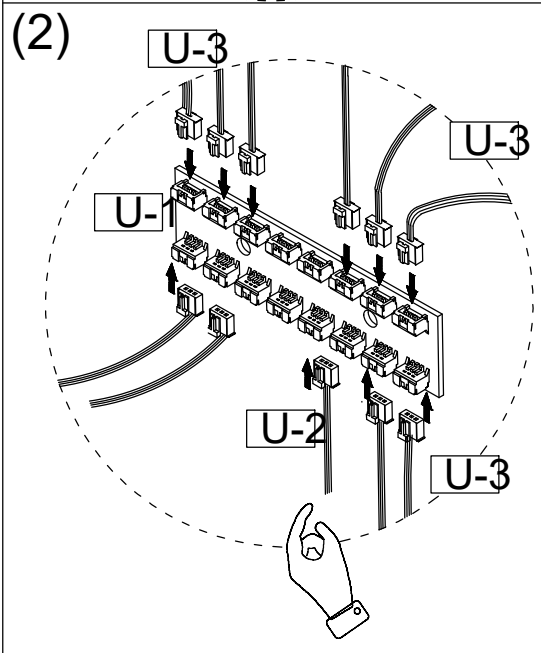
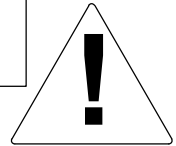
L x2







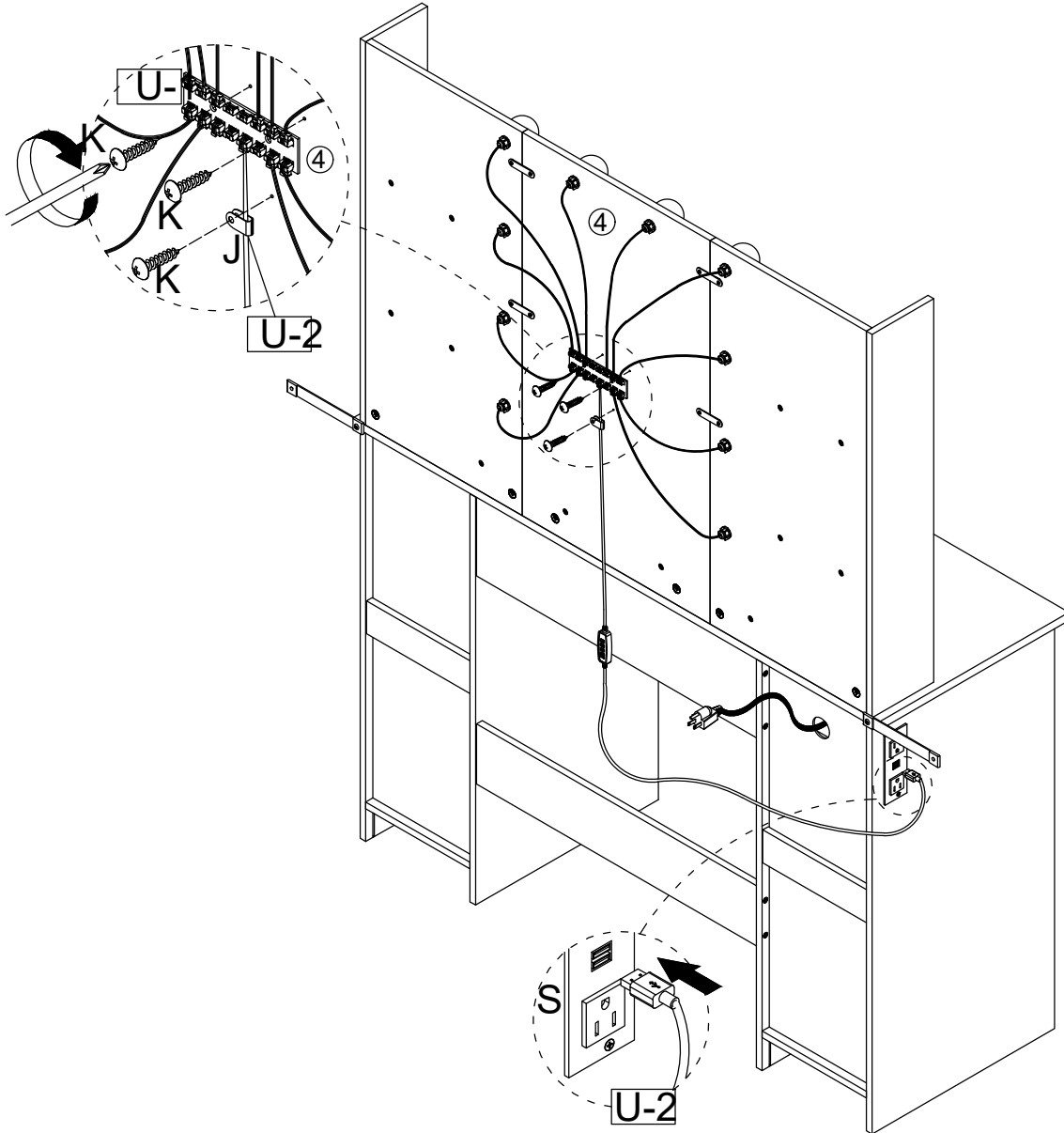
Please note that each terminal of U-1 can be used.

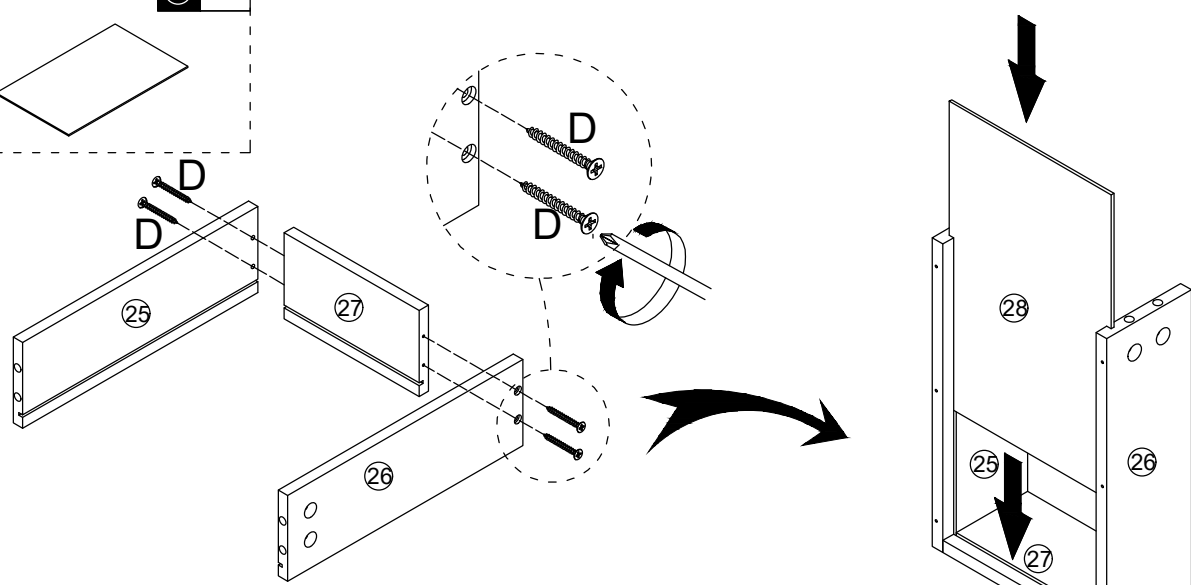
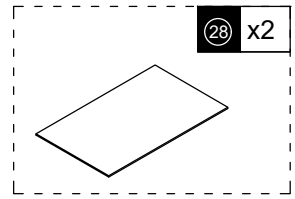
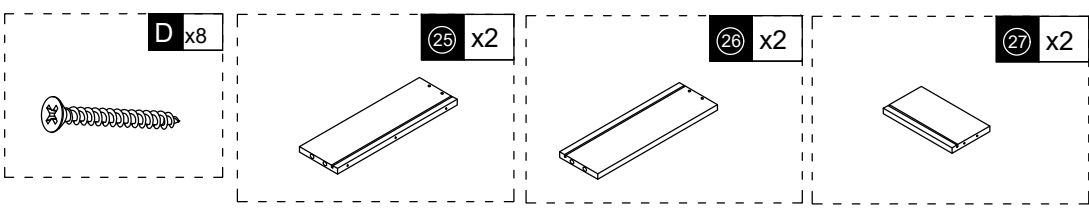


J x1



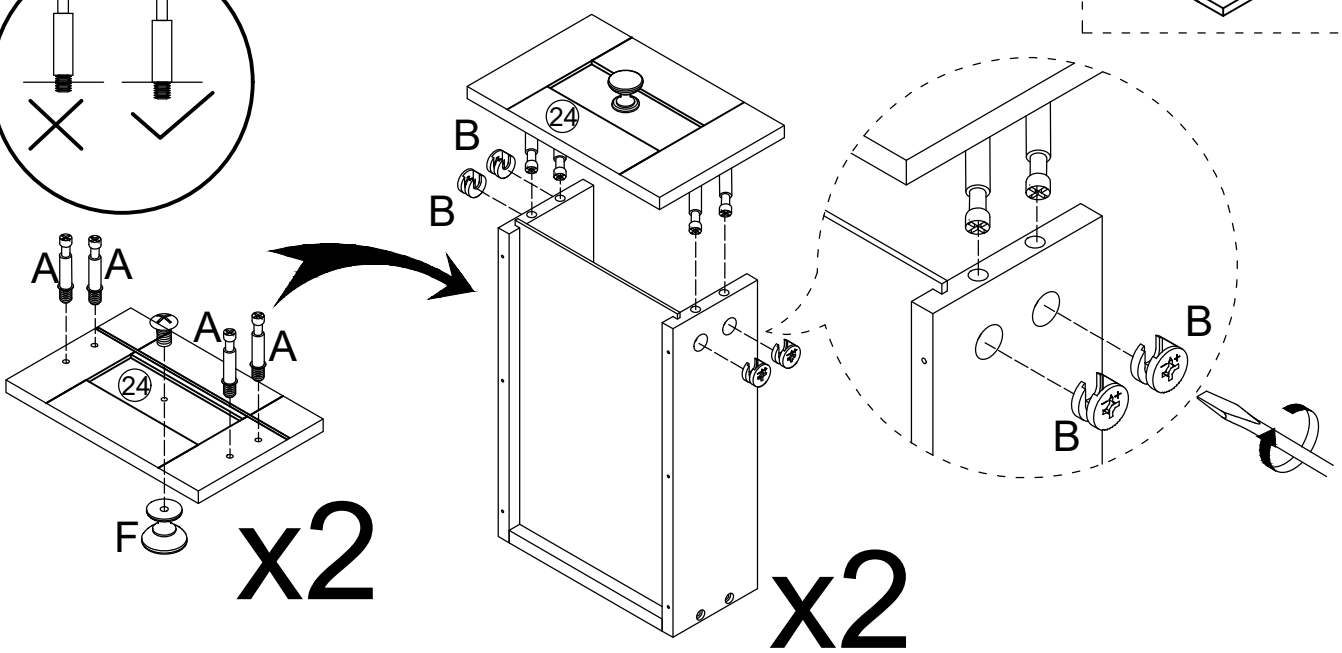
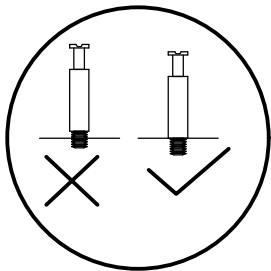
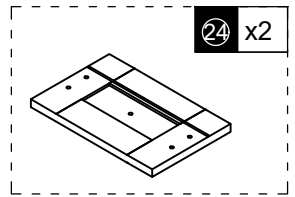
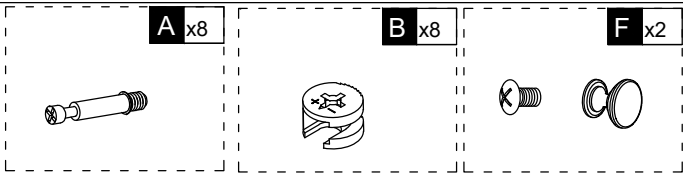
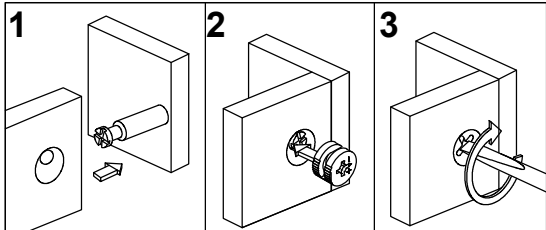
K x3





x2

x2



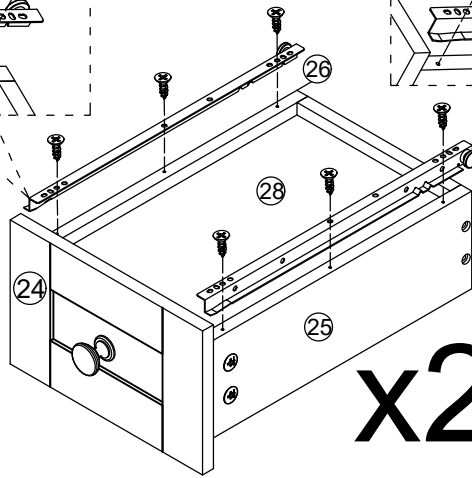
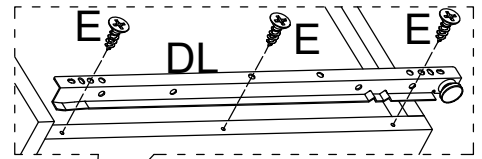
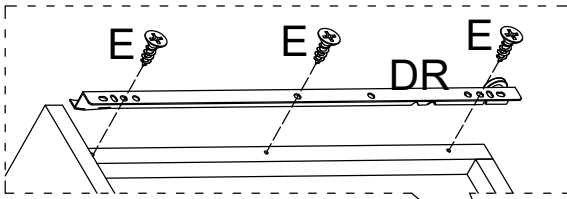
x2

x2

E x12

DL x2

DR x2



x2

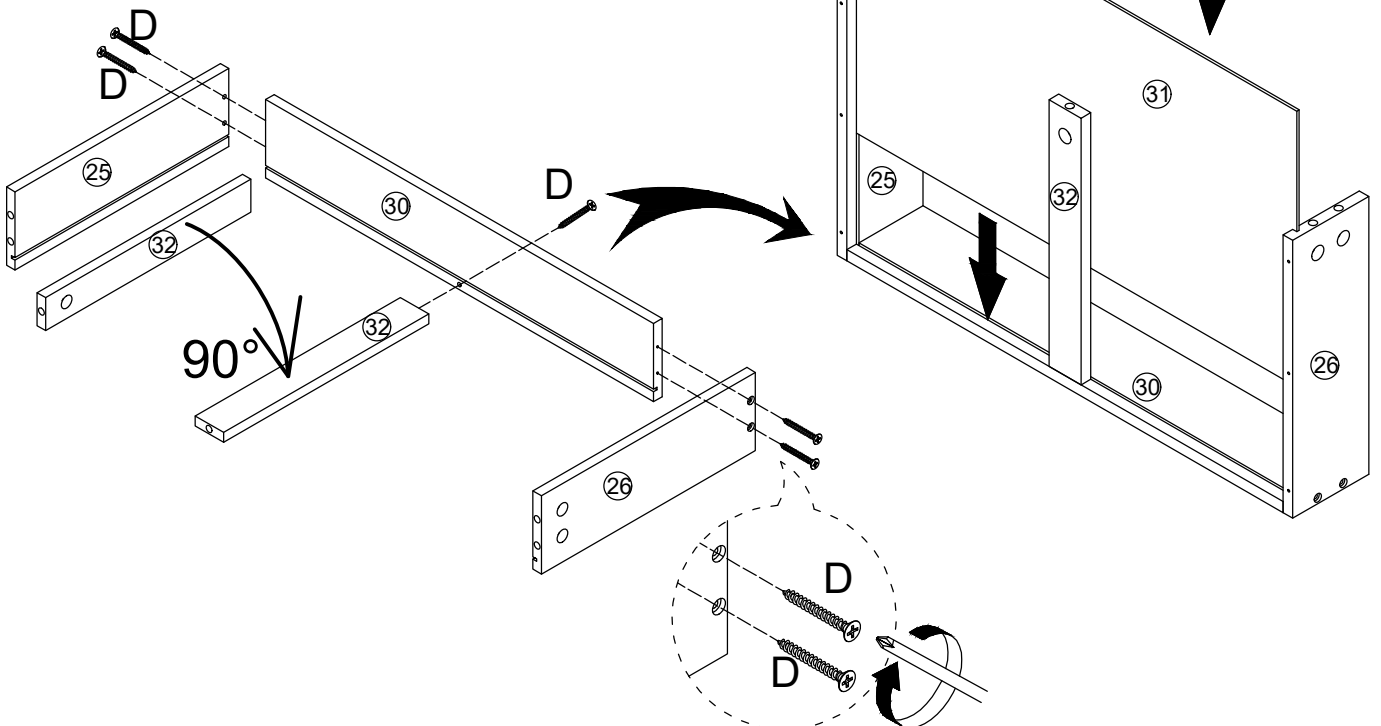
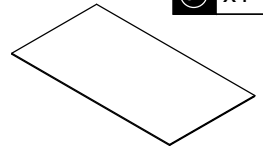
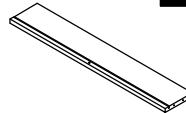
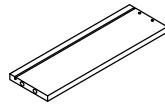
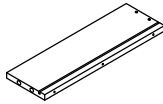
D x5

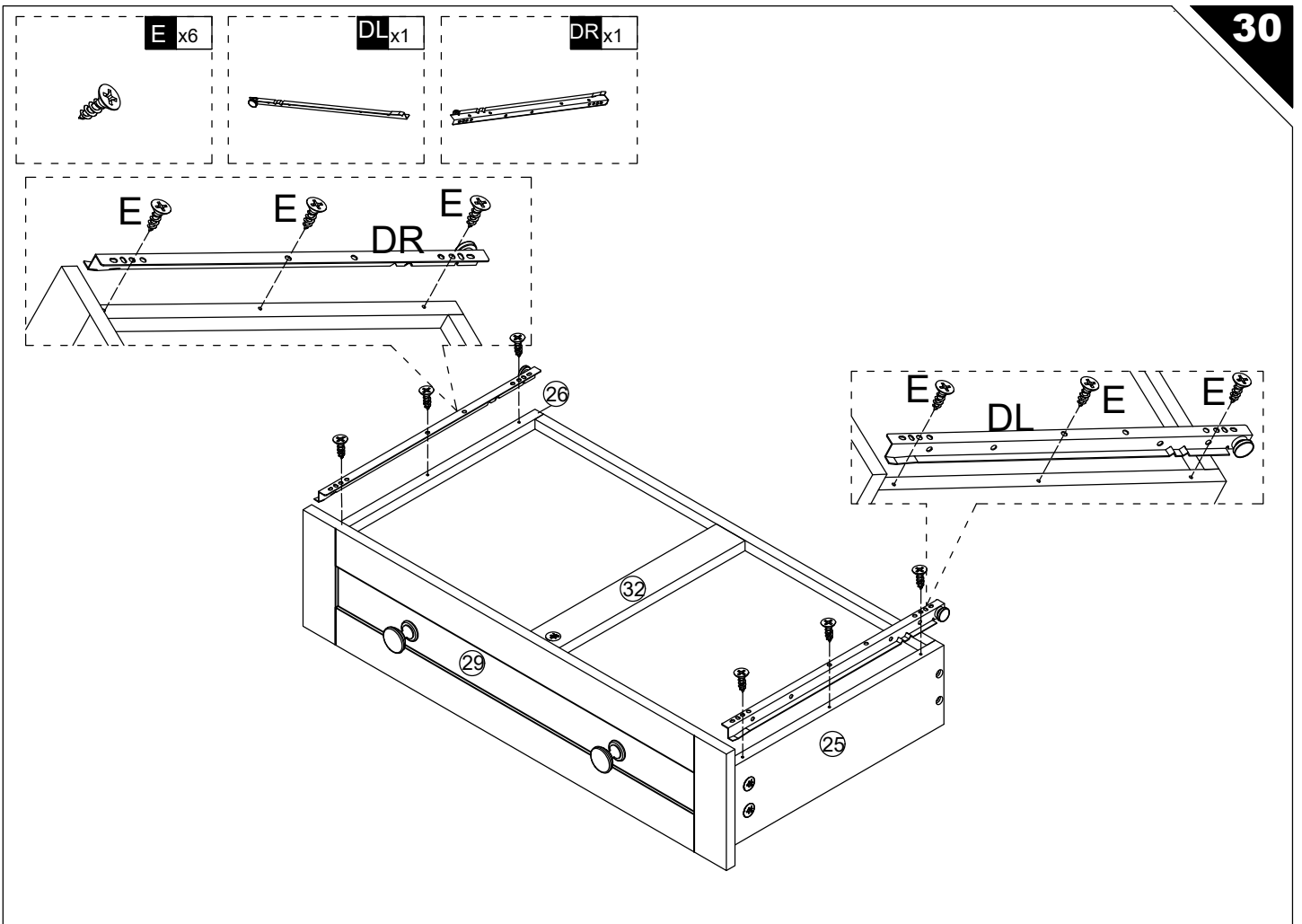
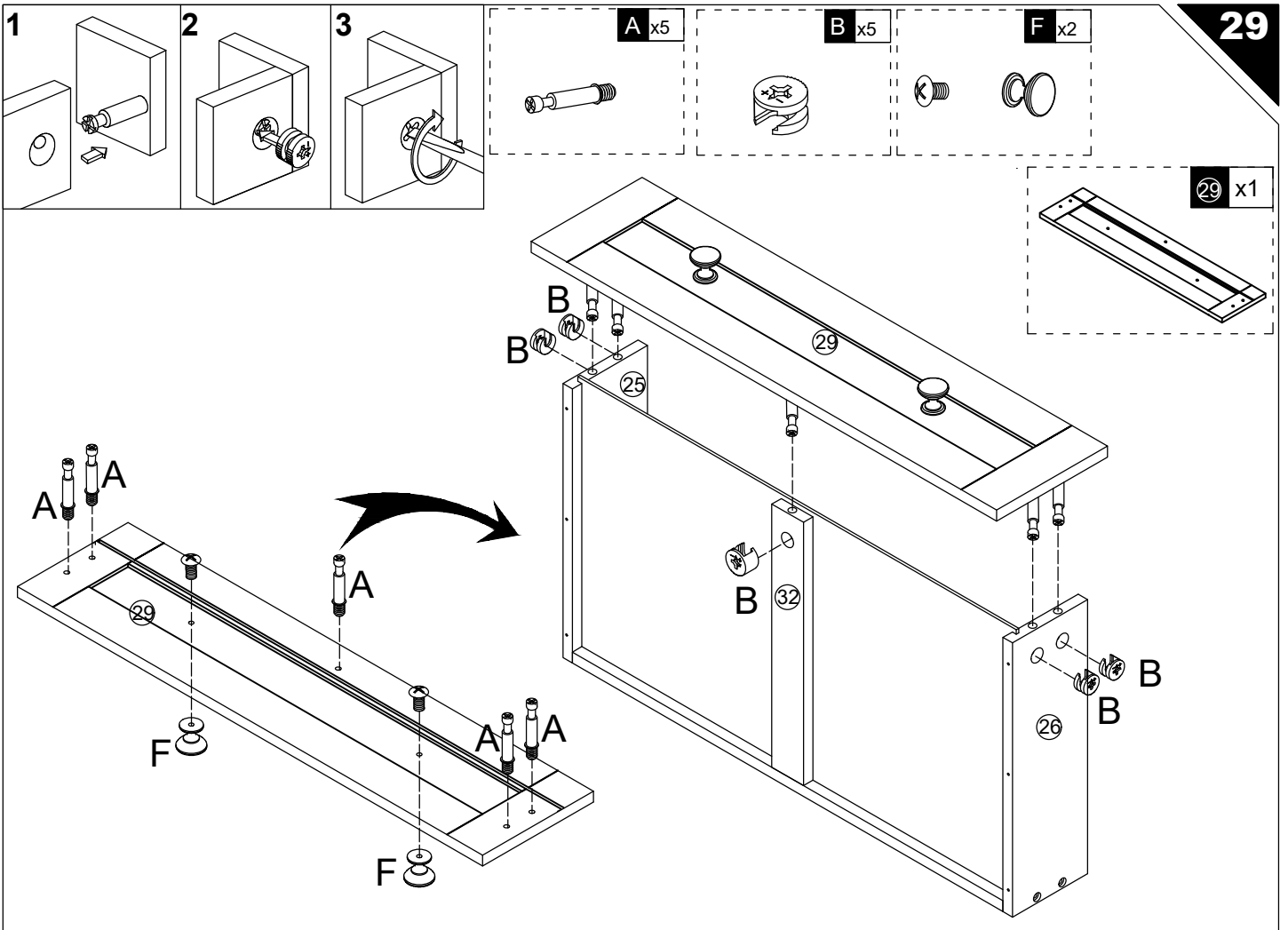
25 x1

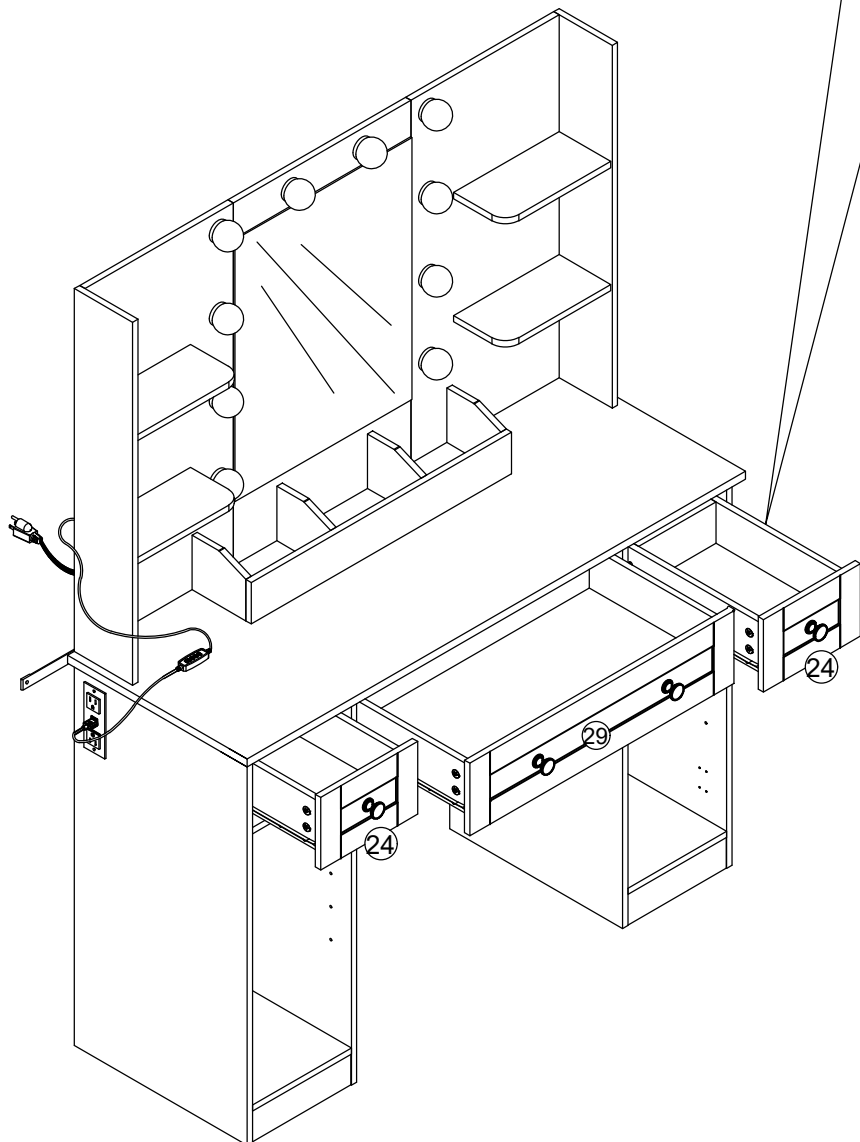
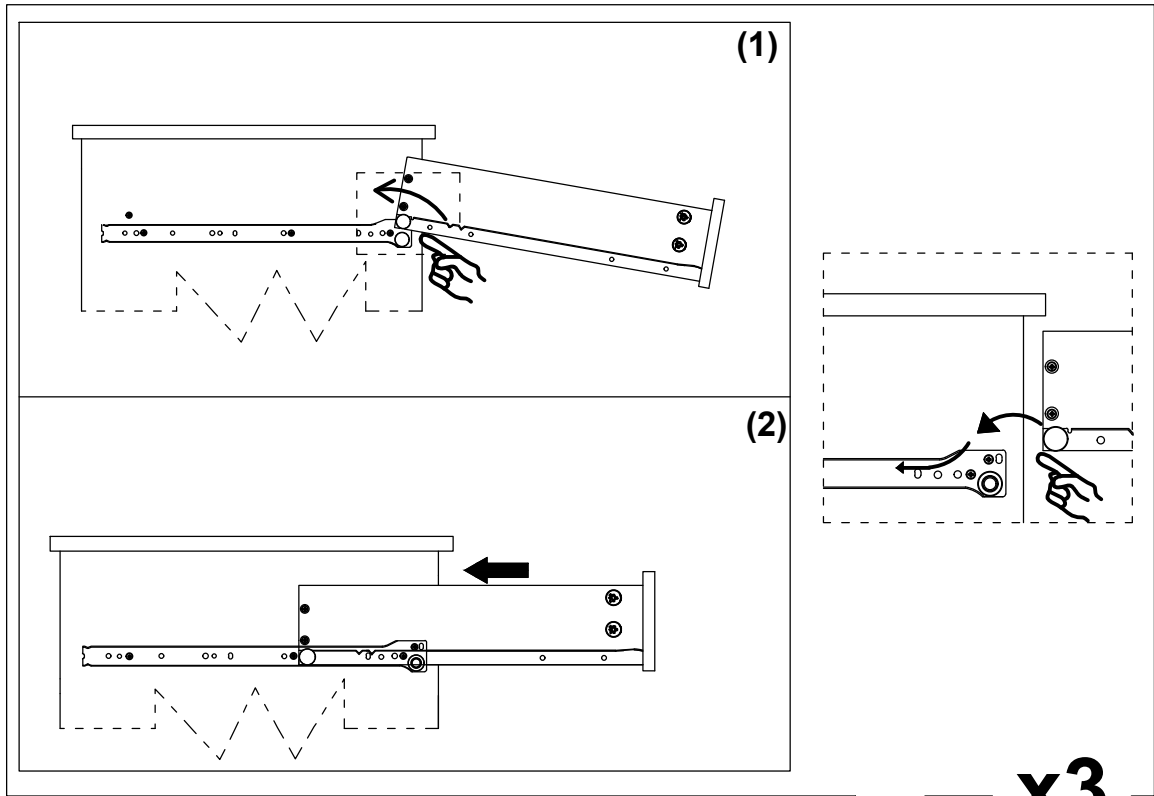
26 x1

30 x1

31 x1

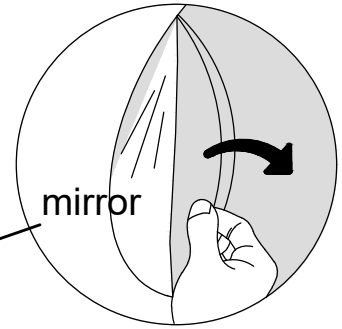
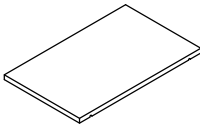




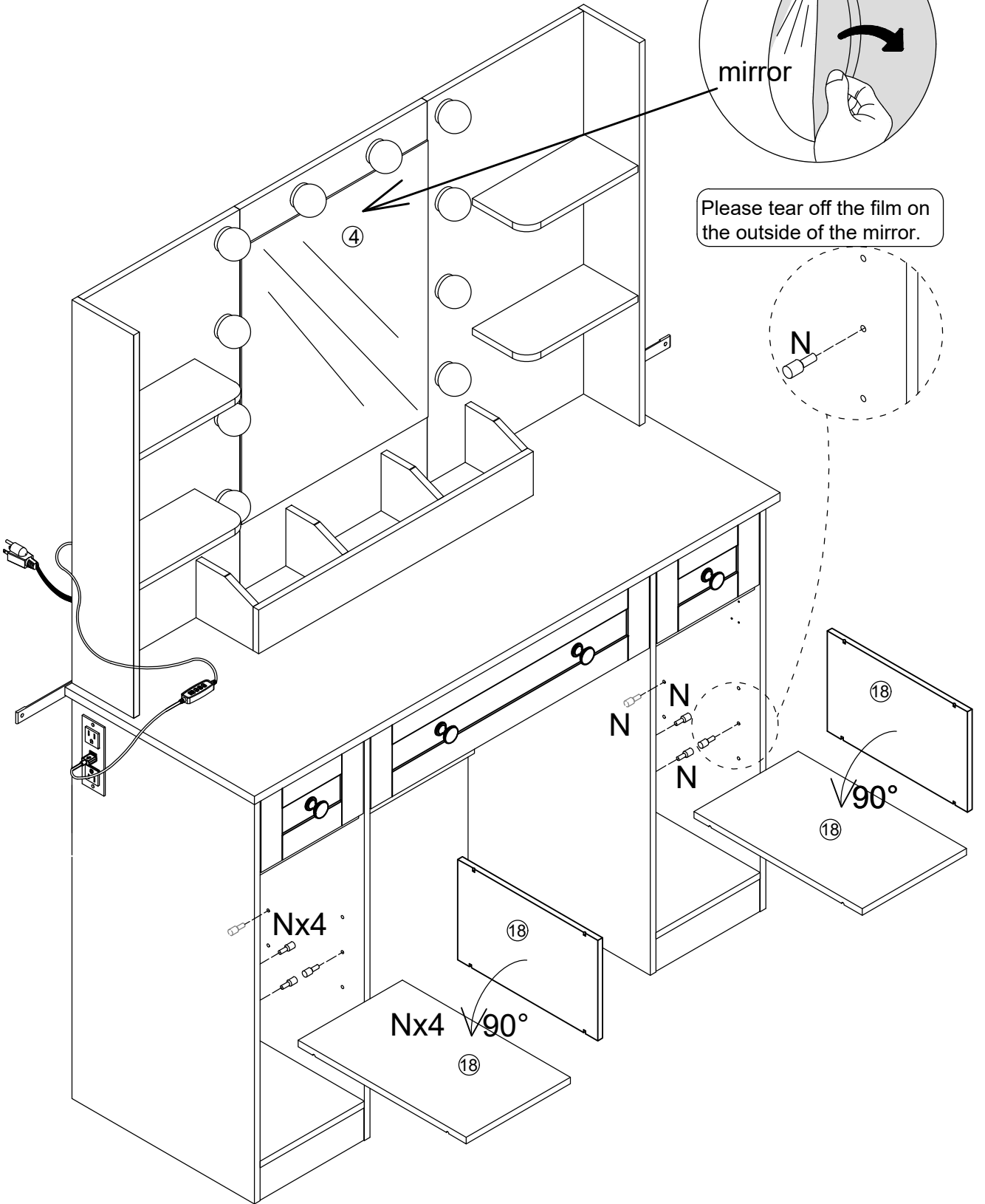
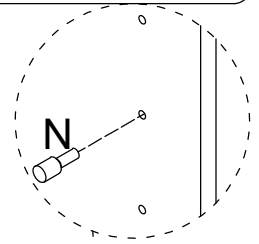


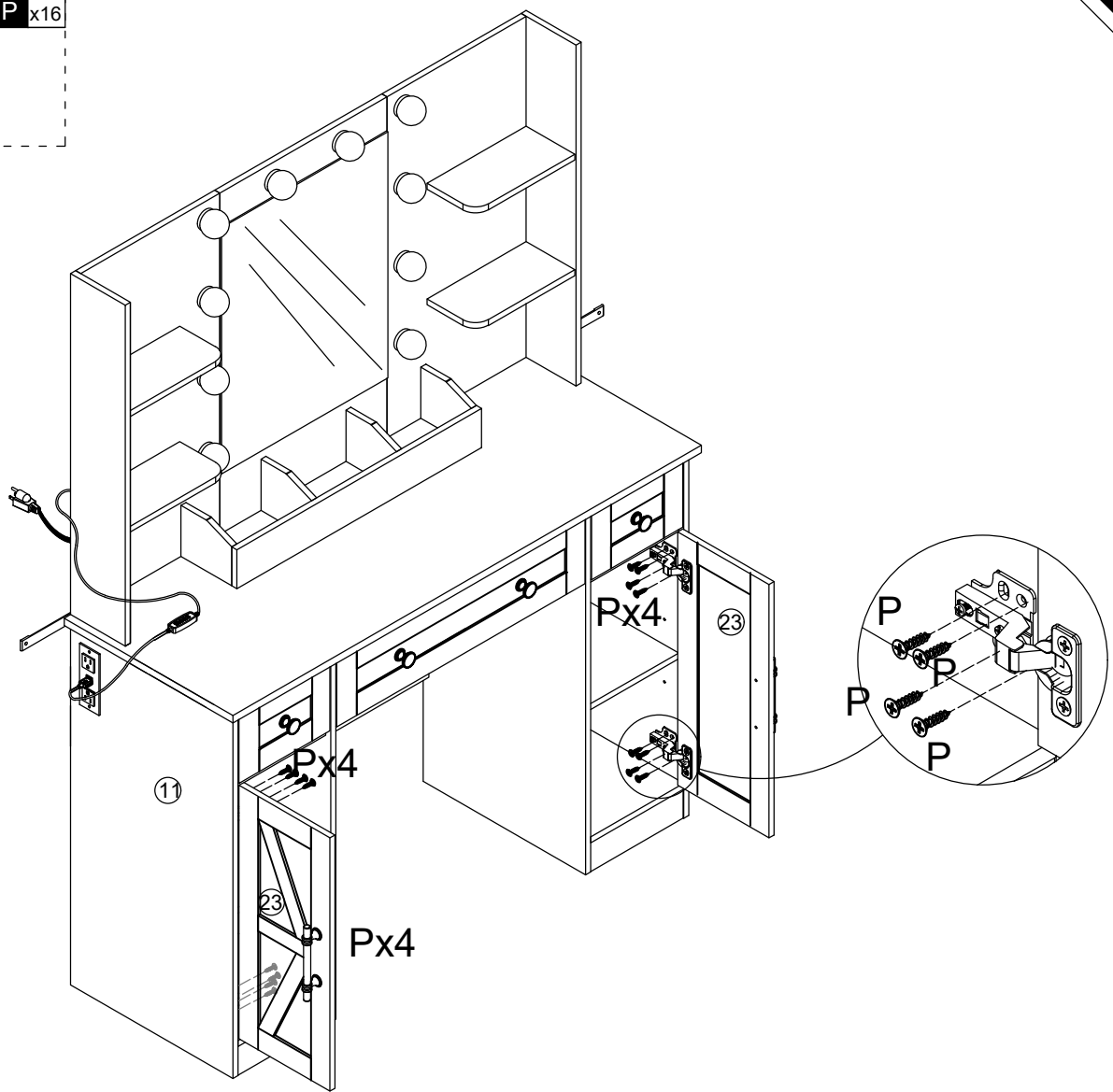
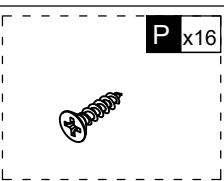
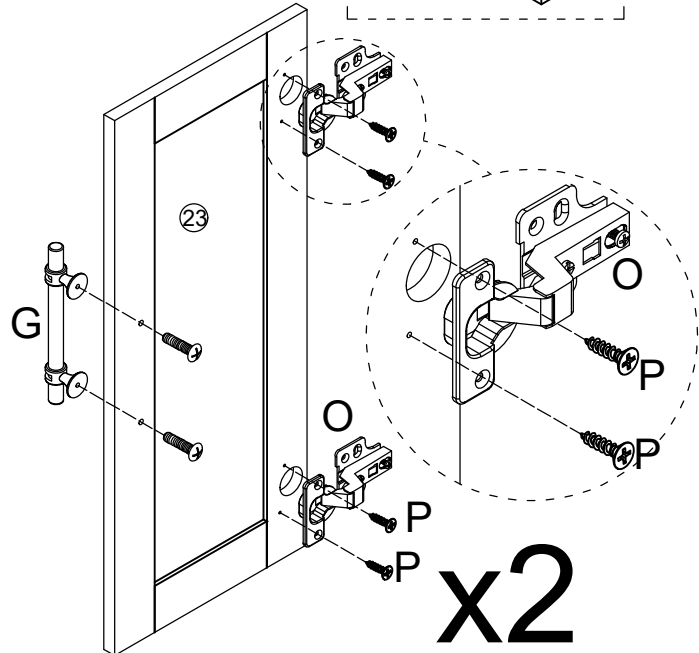
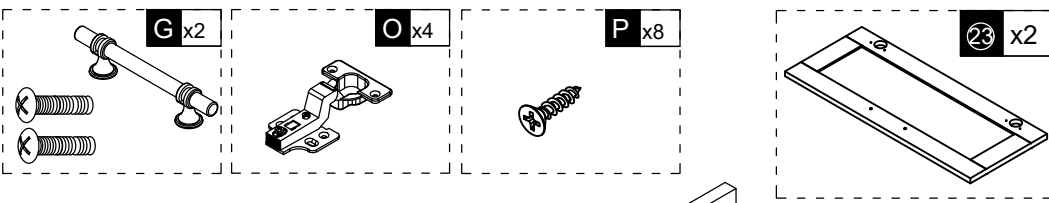
N x8

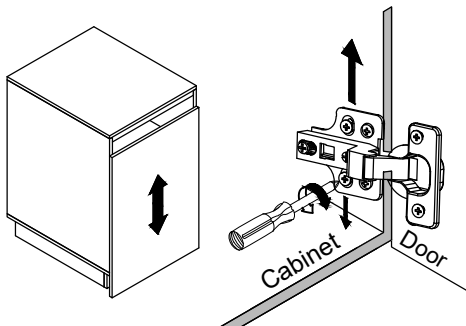
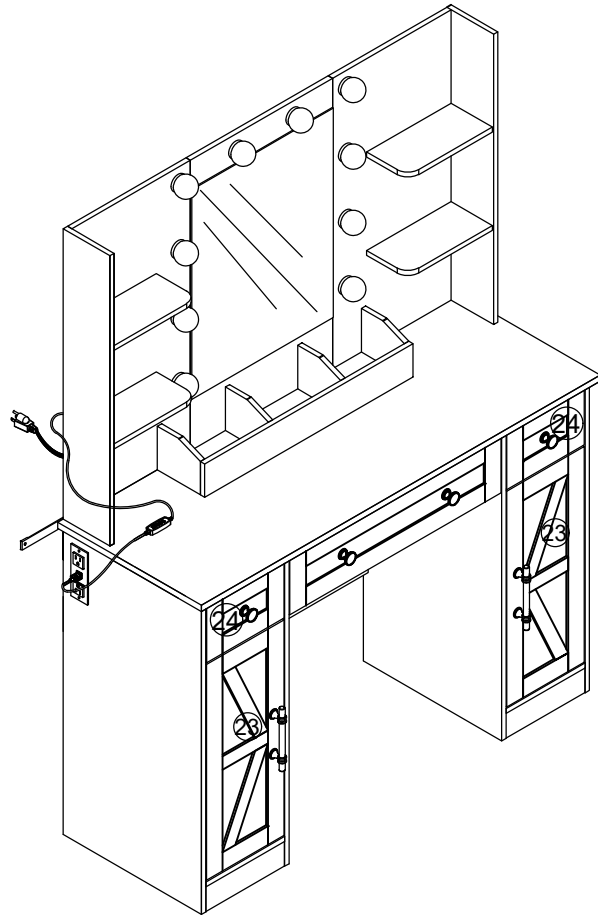
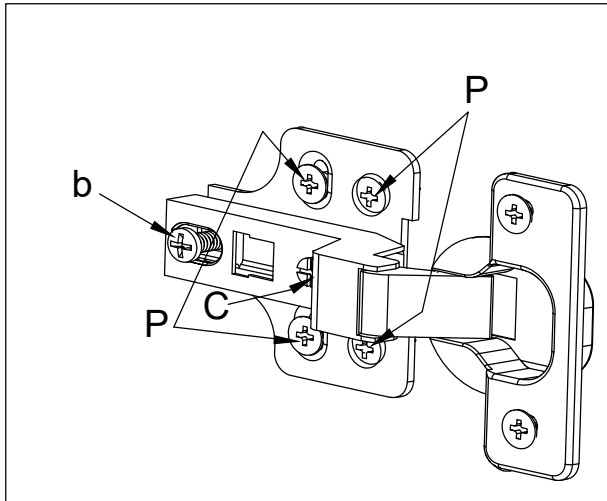
18 x2



Please tear off the film on the outside of the mirror.

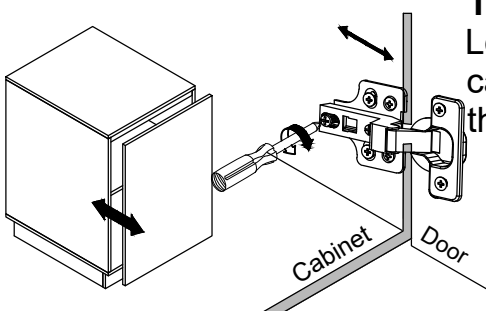






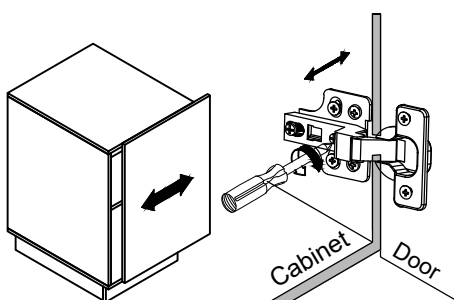
To adjust the vertical height.

Loosen the four screws "p" on both hinges. Two of them are usually in slotted holes which allows you to adjust up or down by a few mm. Then tighten back up.



To adjust depth.

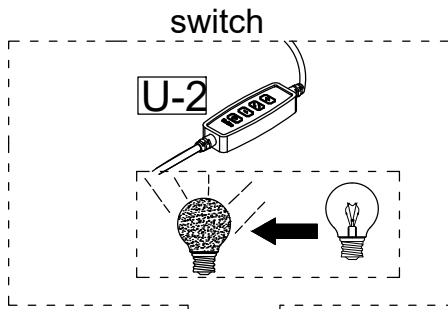
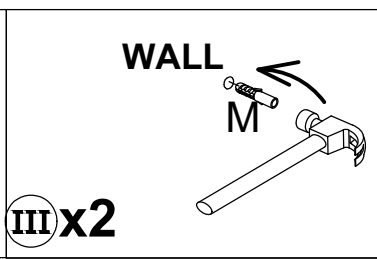
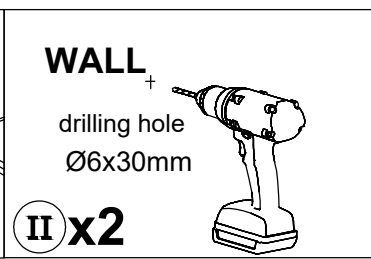
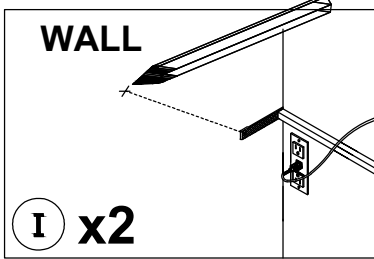
Loosen screw "b" and adjust door, if the door can not be adjusted, please loosen screw "c", then try again. Tighten screw "b" and "c".



To adjust side ways.

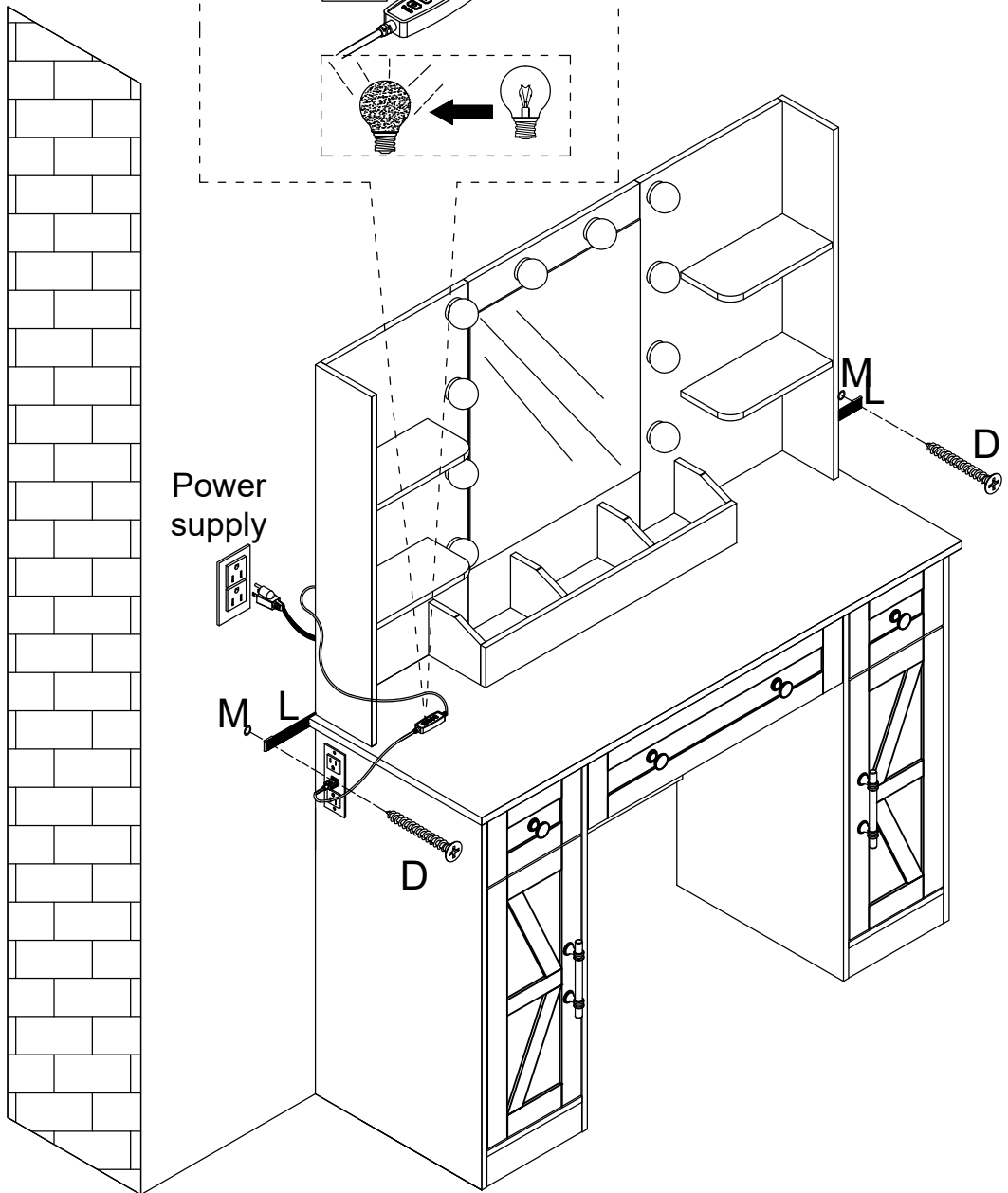
Turning the screw "c" on BOTH hinges on each door.

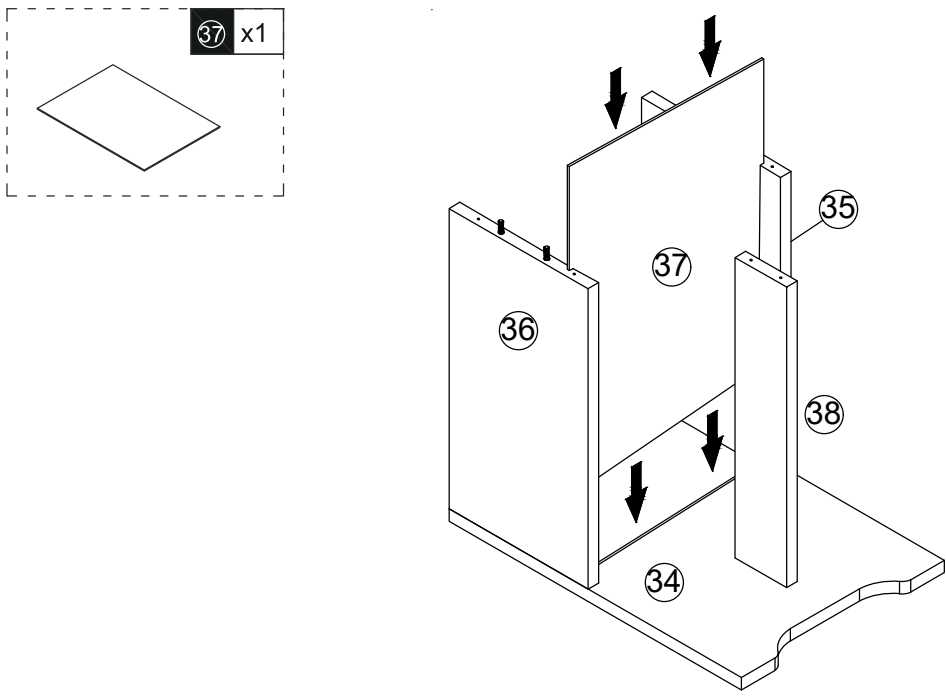
D x2 M x2



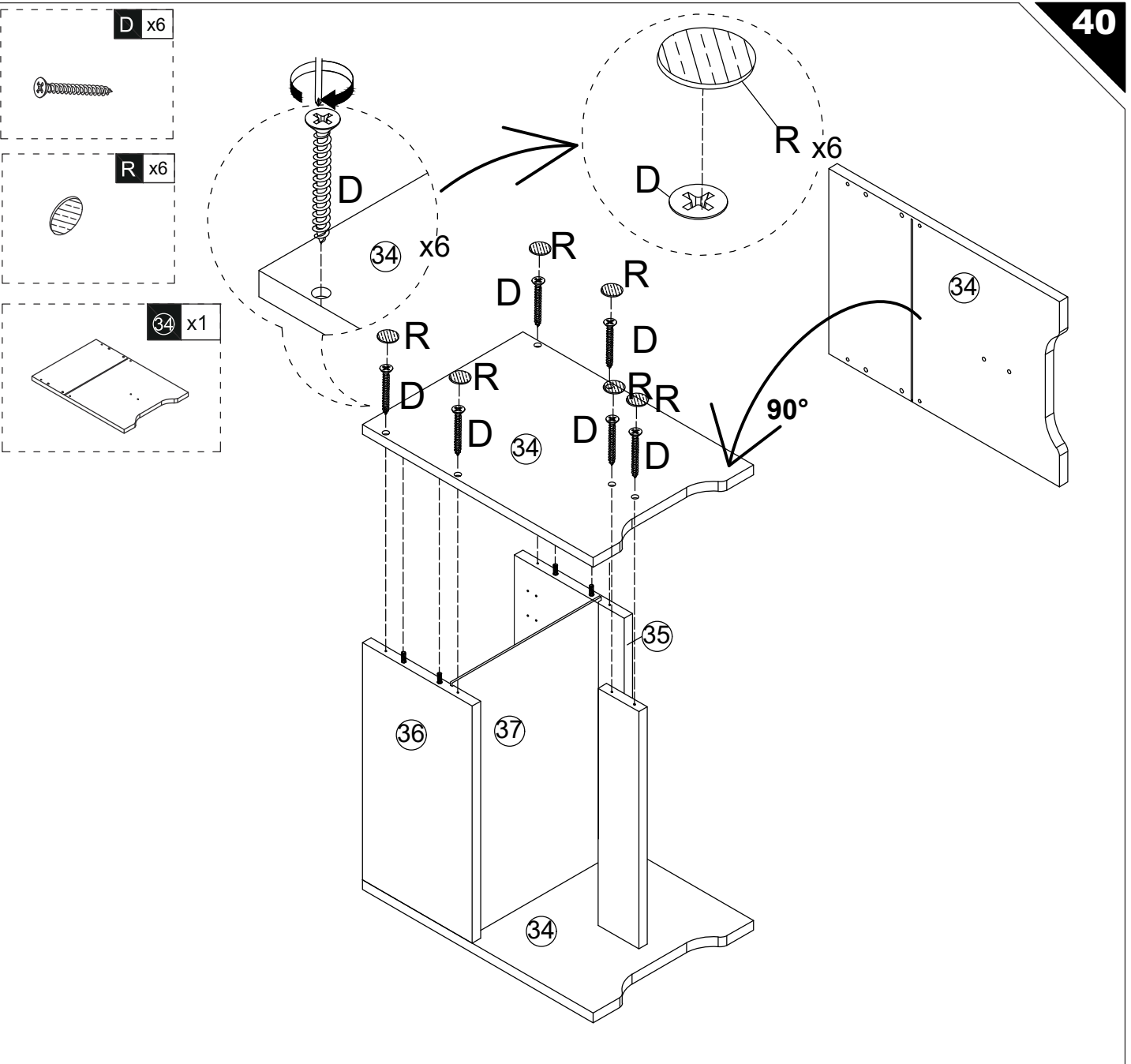
WALL

Power supply





37 x1



D x6

R x6

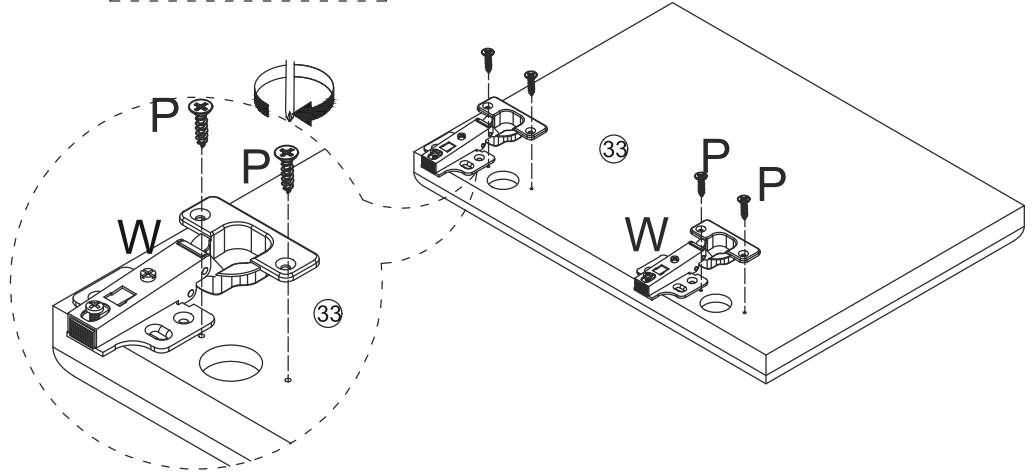
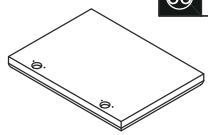
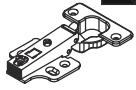
34 x1

90°

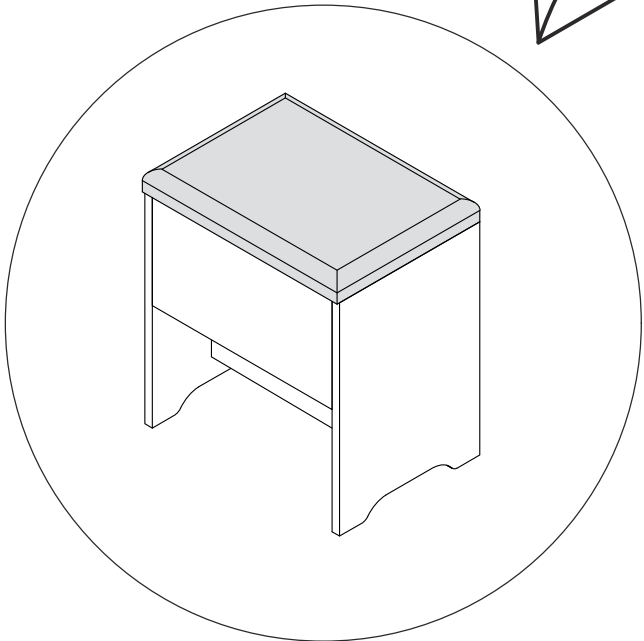
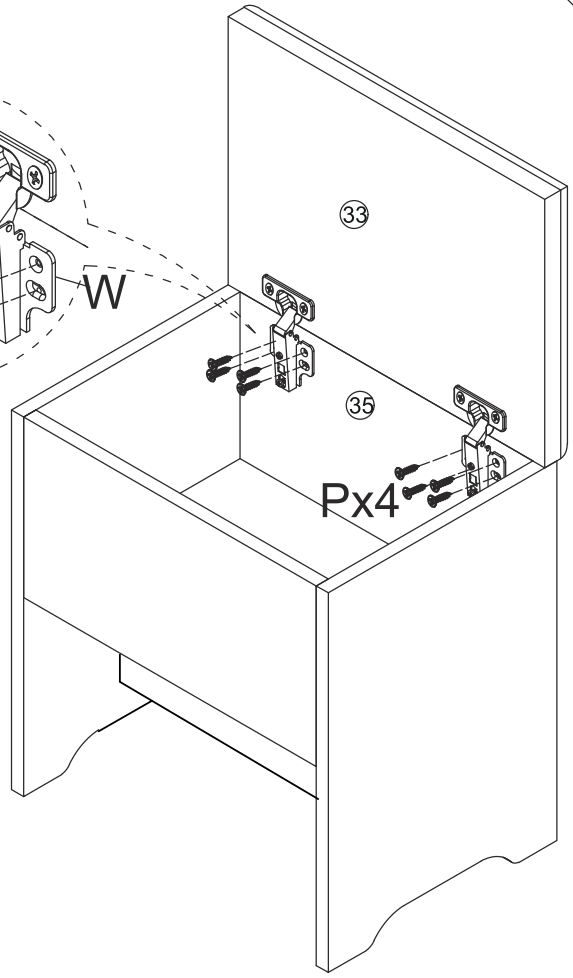
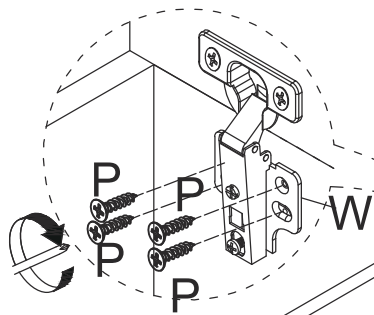
P x4

W x2

33 x1



P x8



WALL

