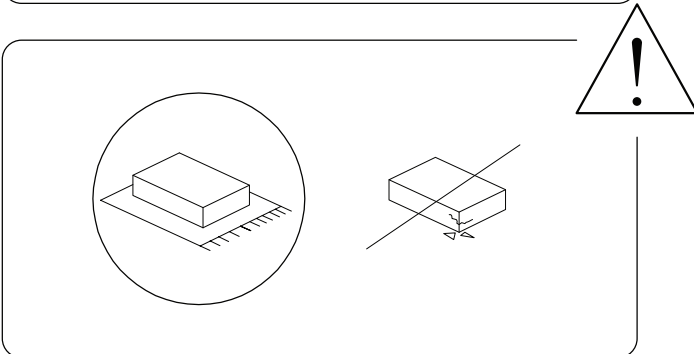
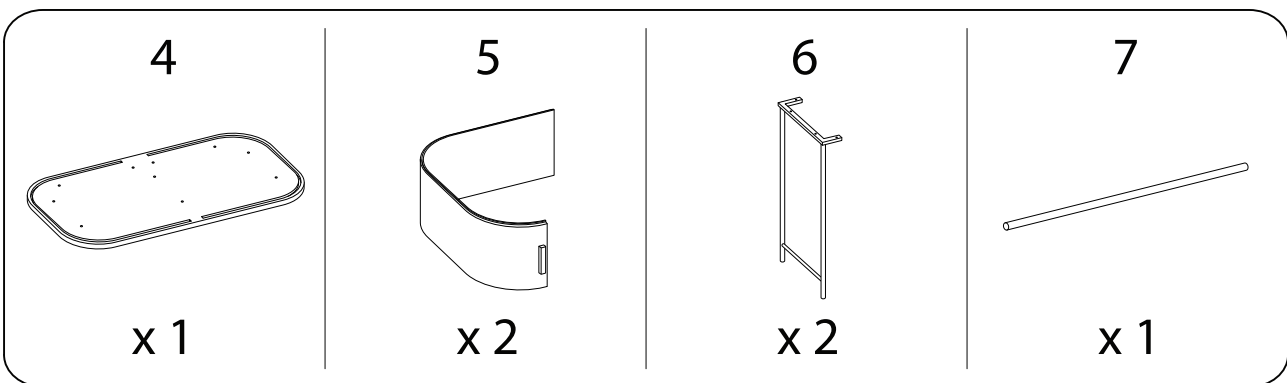
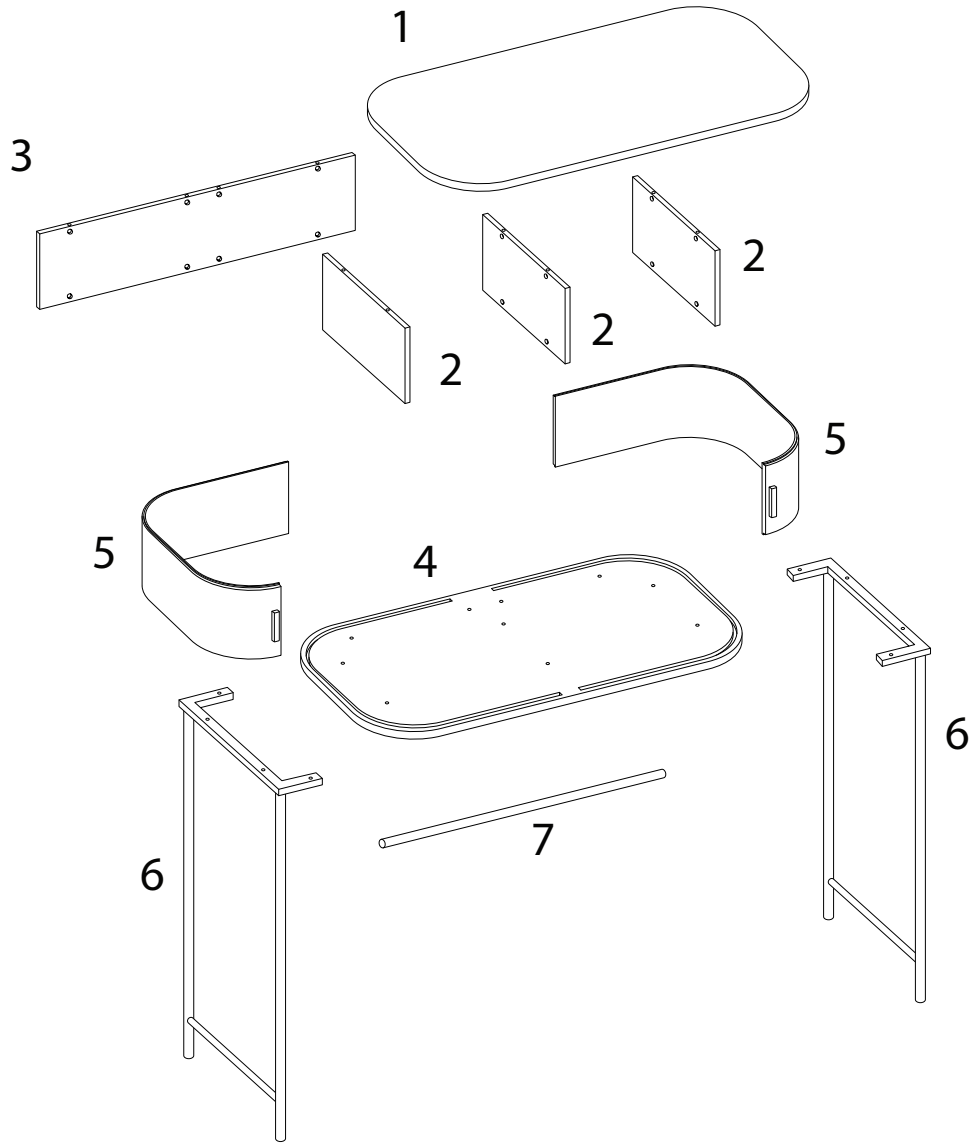
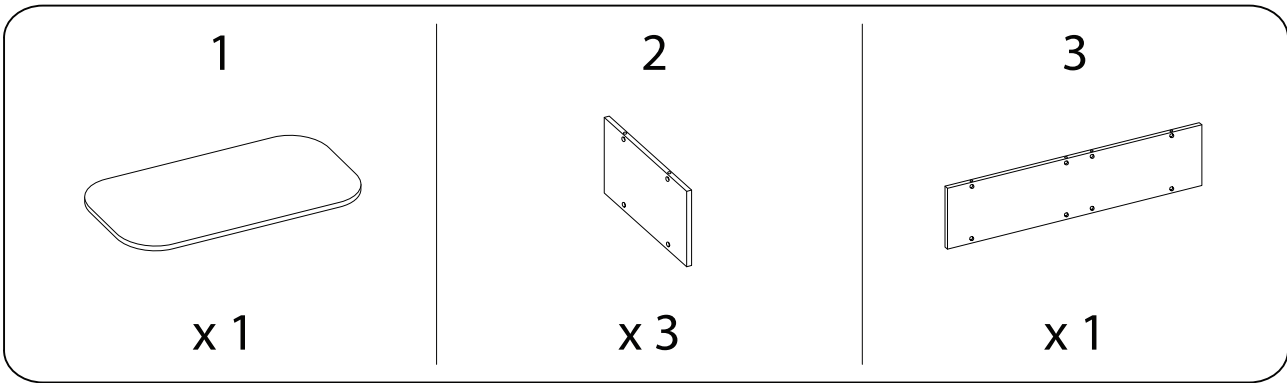


30'



2

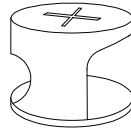


A



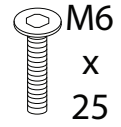
x 20

B



x 20

C



M6  
x  
25

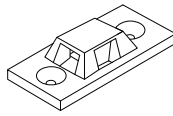
x 4

D



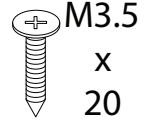
x 1

E



x 2

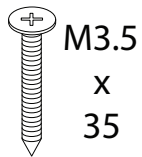
F



M3.5  
x  
20

x 2

G



M3.5  
x  
35

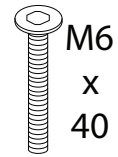
x 2

H



x 1

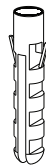
I



M6  
x  
40

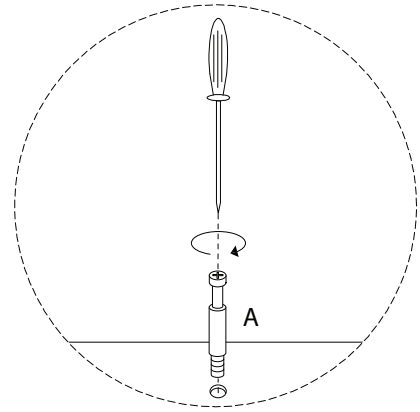
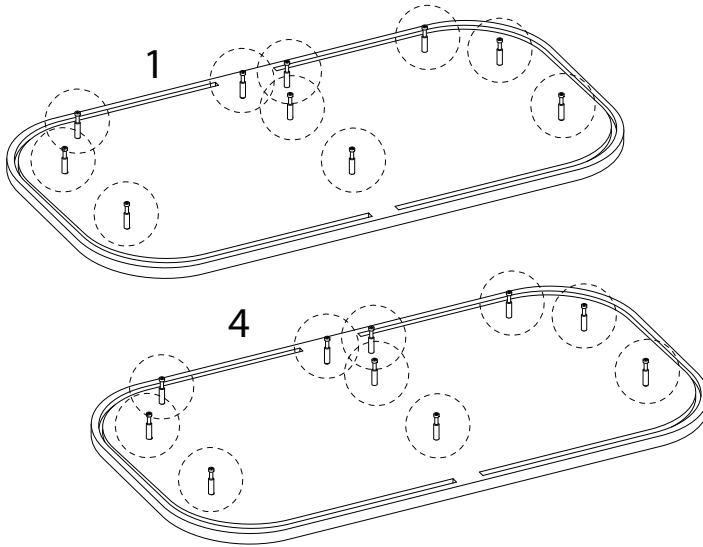
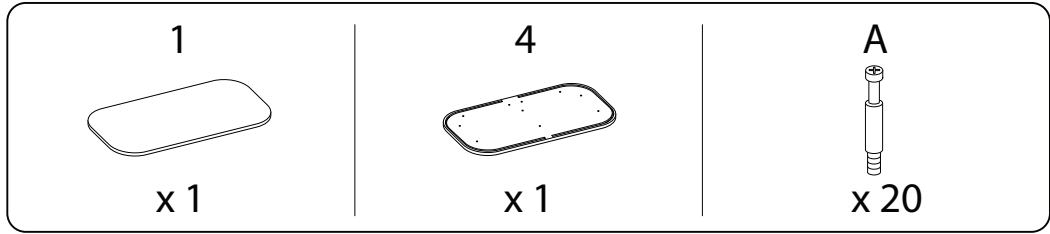
x 2

J

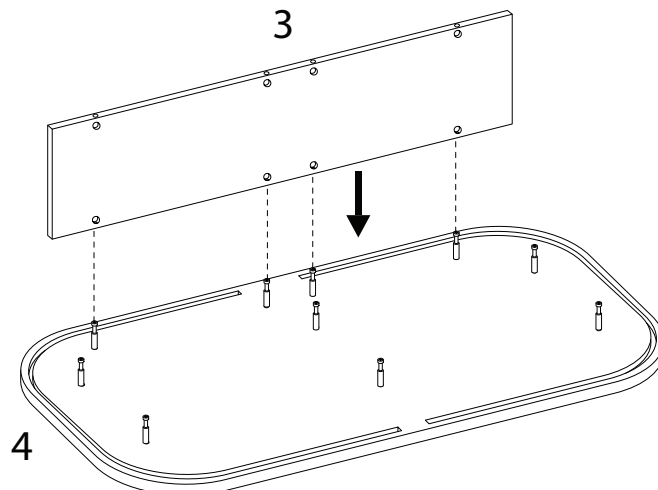
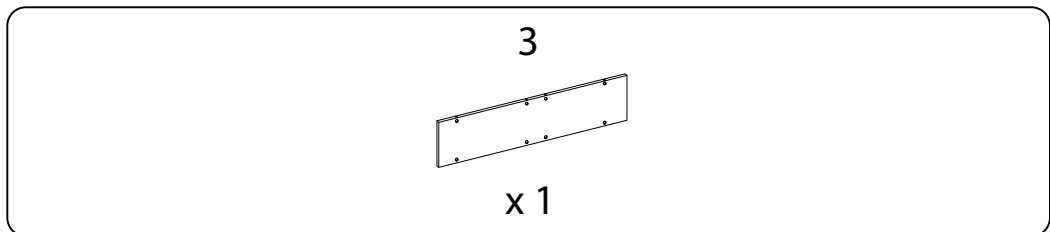


x 2

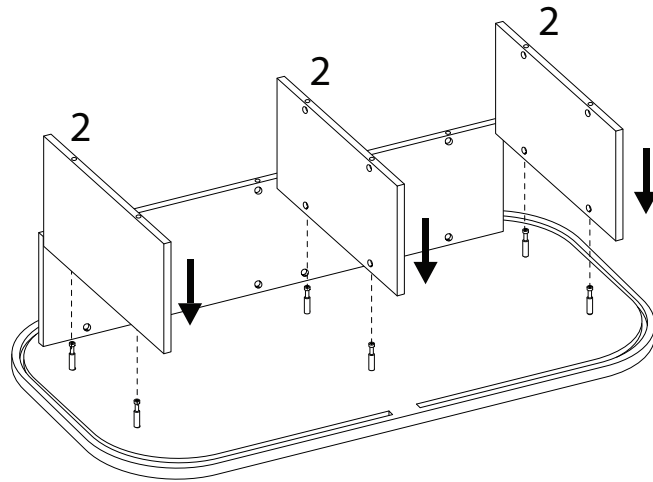
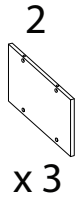
1



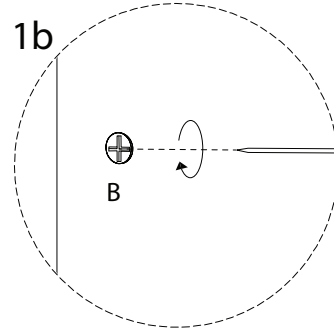
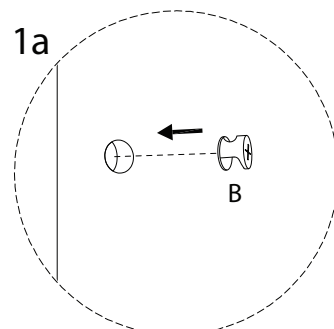
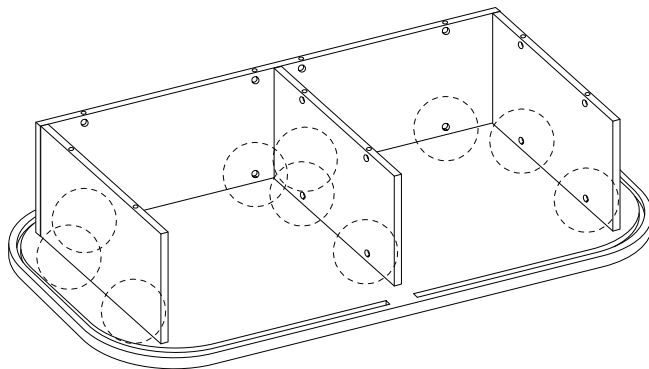
2



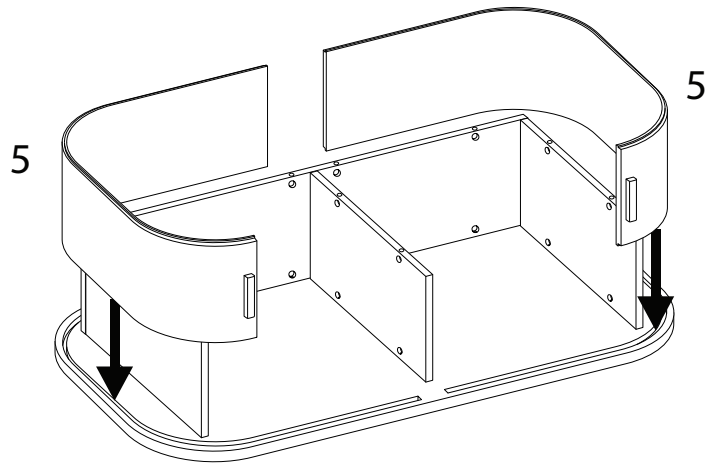
3



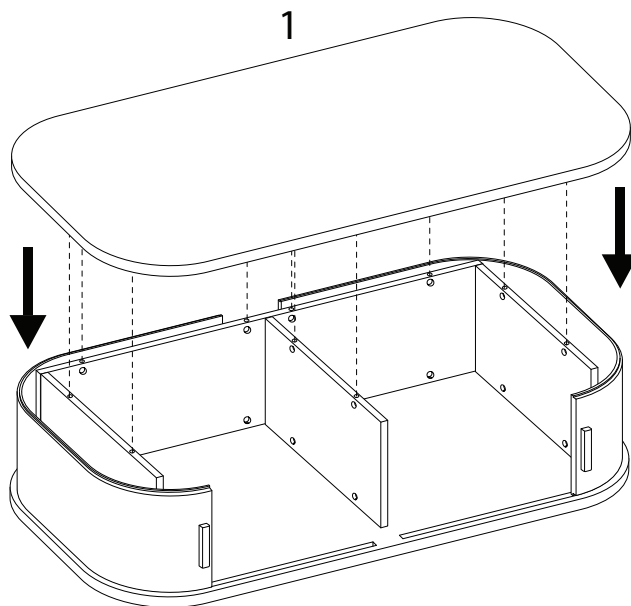
4



5



6

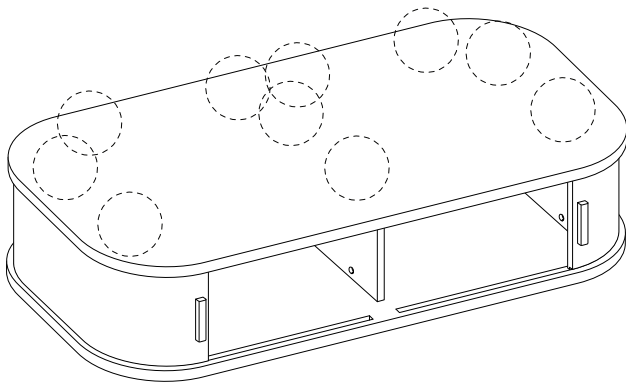


7

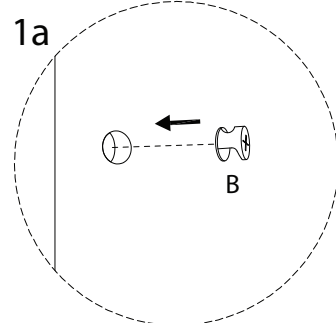
B



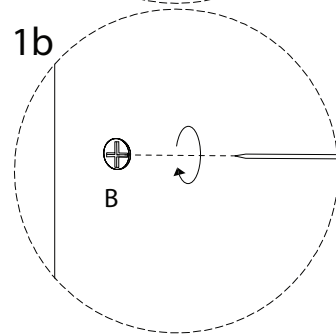
x 10



1a

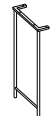


1b



8

6



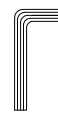
x 2

7



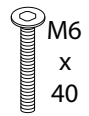
x 1

D

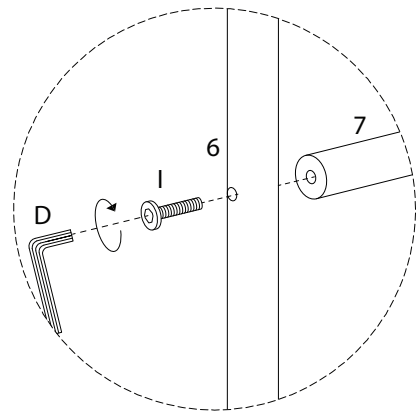
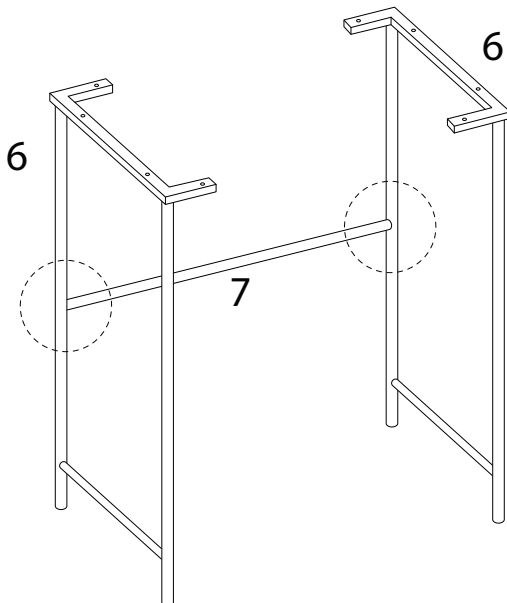


x 1

I

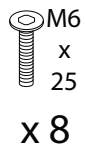


x 2

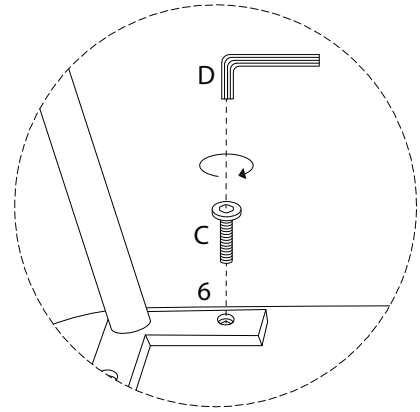
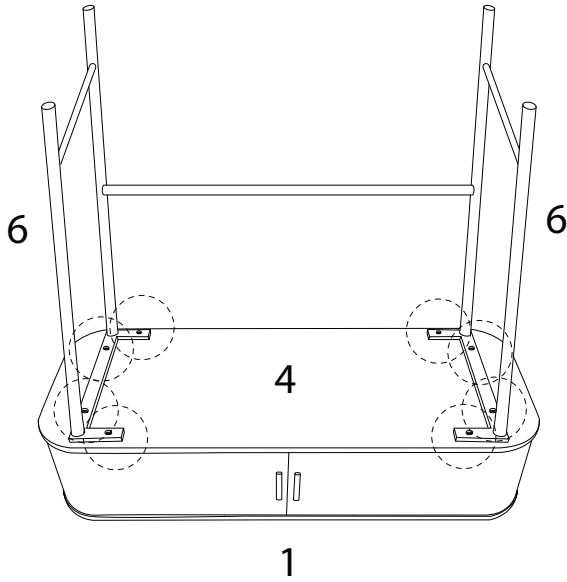


9

C

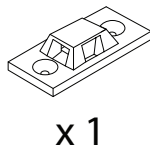


D

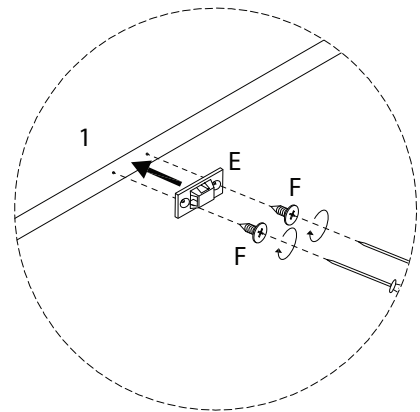
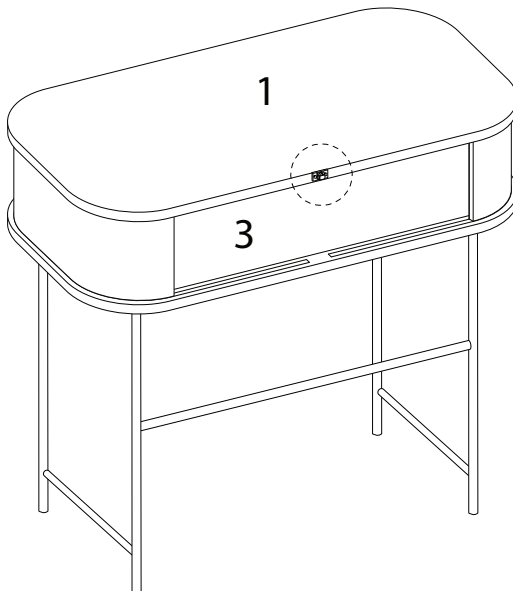
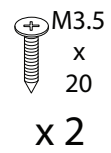


10

E



F



11

