

A | 80pcs



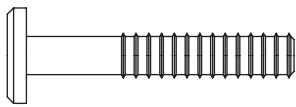
M4x $\frac{30}{1.2}$

G | 24pcs



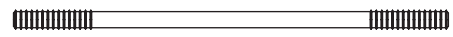
M6x $\frac{60}{2.3}$

B | 12pcs



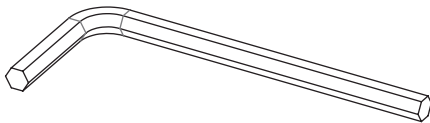
M6x $\frac{42}{1.6}$

H | 4pcs

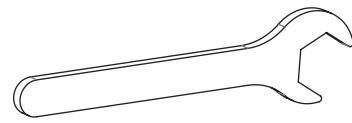


M6x $\frac{140}{5.5}$

C | 1pc



J | 1pc

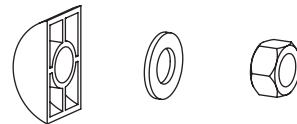


D | 20pcs



M8x $\frac{30}{1.2}$

K | 32pcs

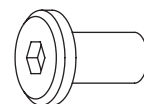


E | 4pcs

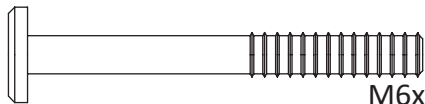


M7x $\frac{60}{2.3}$

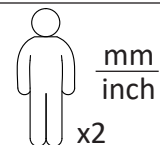
L | 4pcs



F | 4pcs

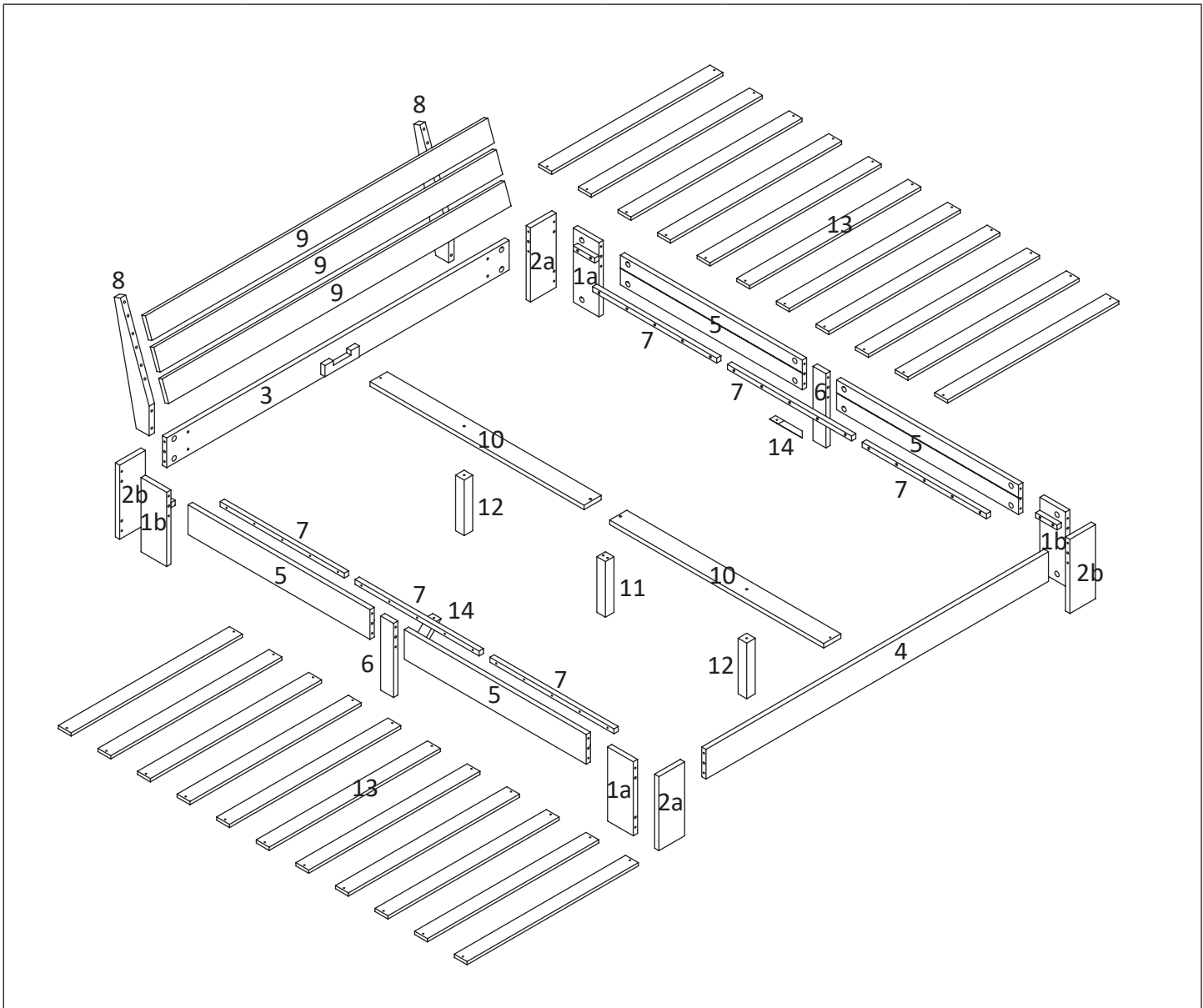


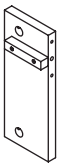
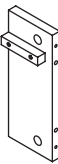


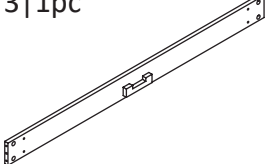
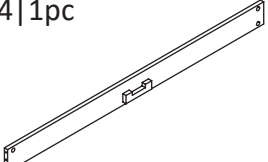
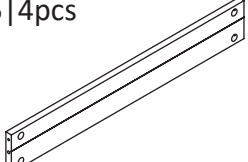

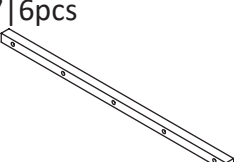
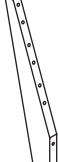
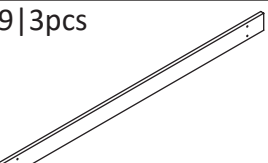
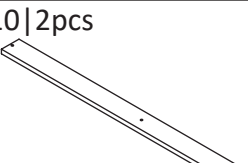


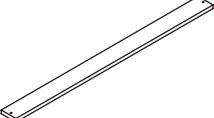
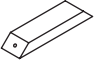
M6x $\frac{62}{2.4}$



mm
inch

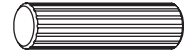
x2



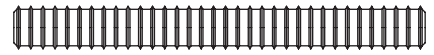
1a 2pcs 	1b 2pcs 	2a 2pcs 	2b 2pcs 	3 1pc 
4 1pc 	5 4pcs 	6 2pcs 	7 6pcs 	8 2pcs 
9 3pcs 	10 2pcs 	11 1pc 	12 2pcs 	13 22pcs 
				14 2pcs 

① x2

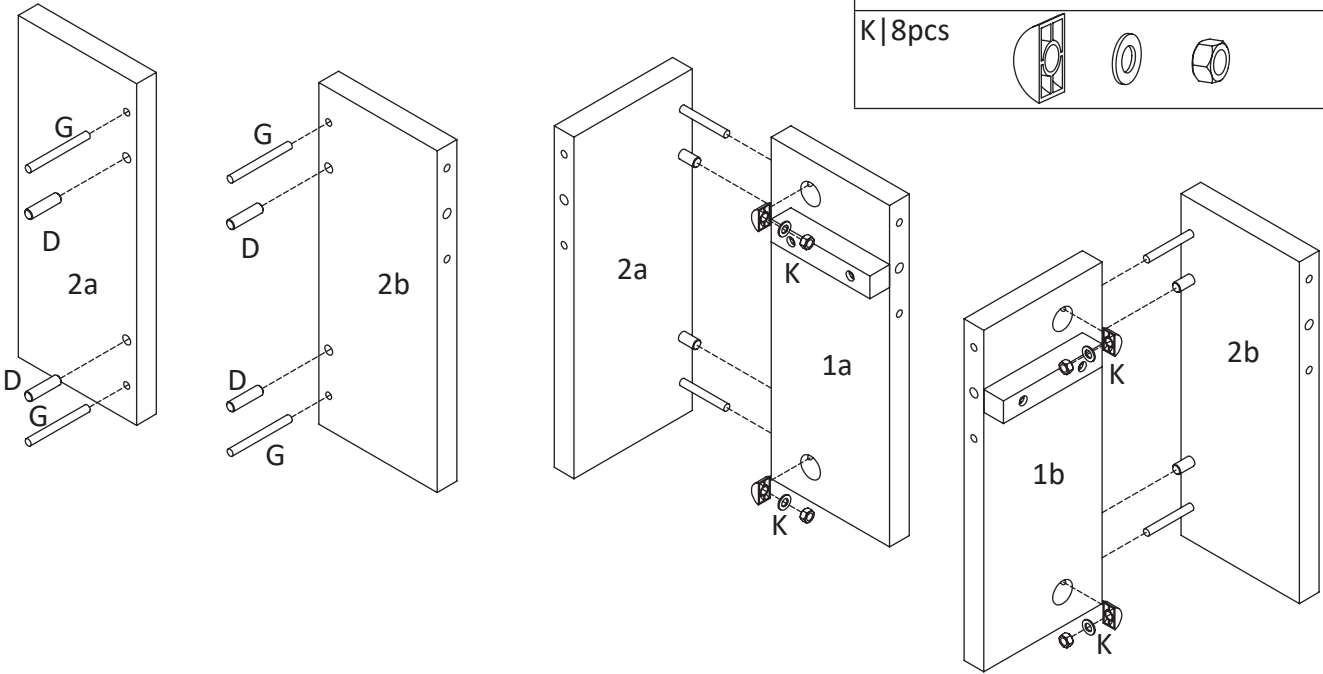
D | 8pcs



G | 8pcs



K | 8pcs



②

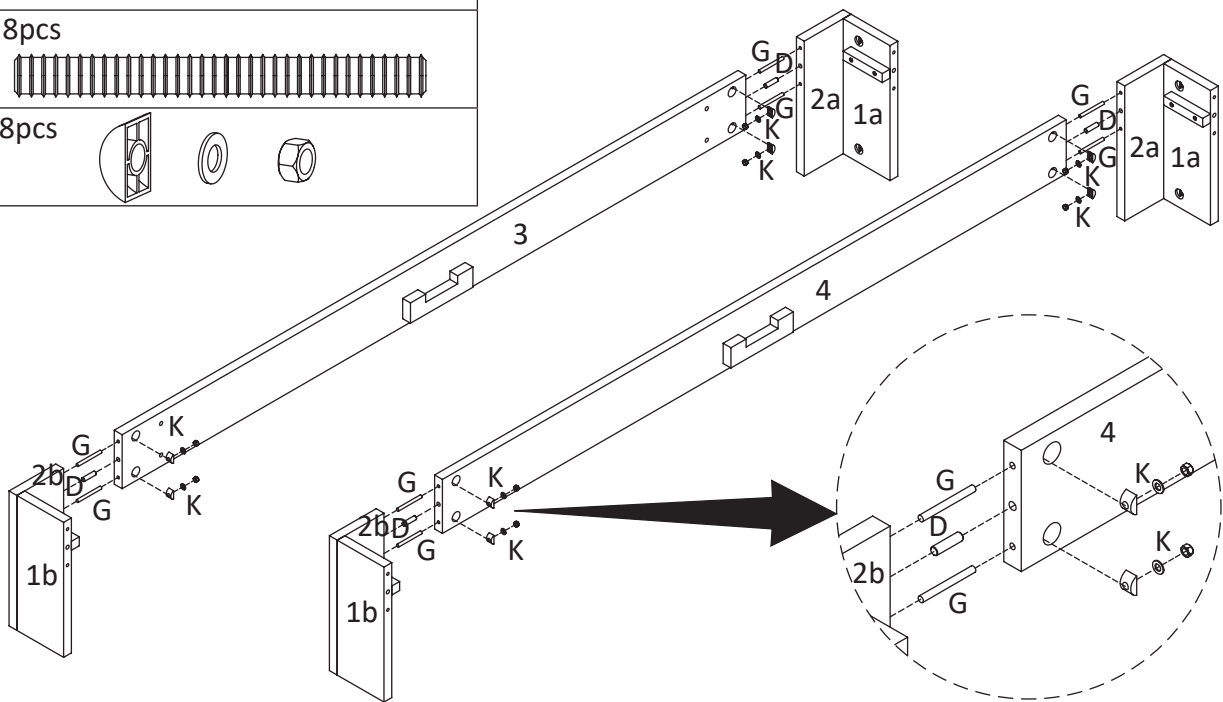
D | 4pcs



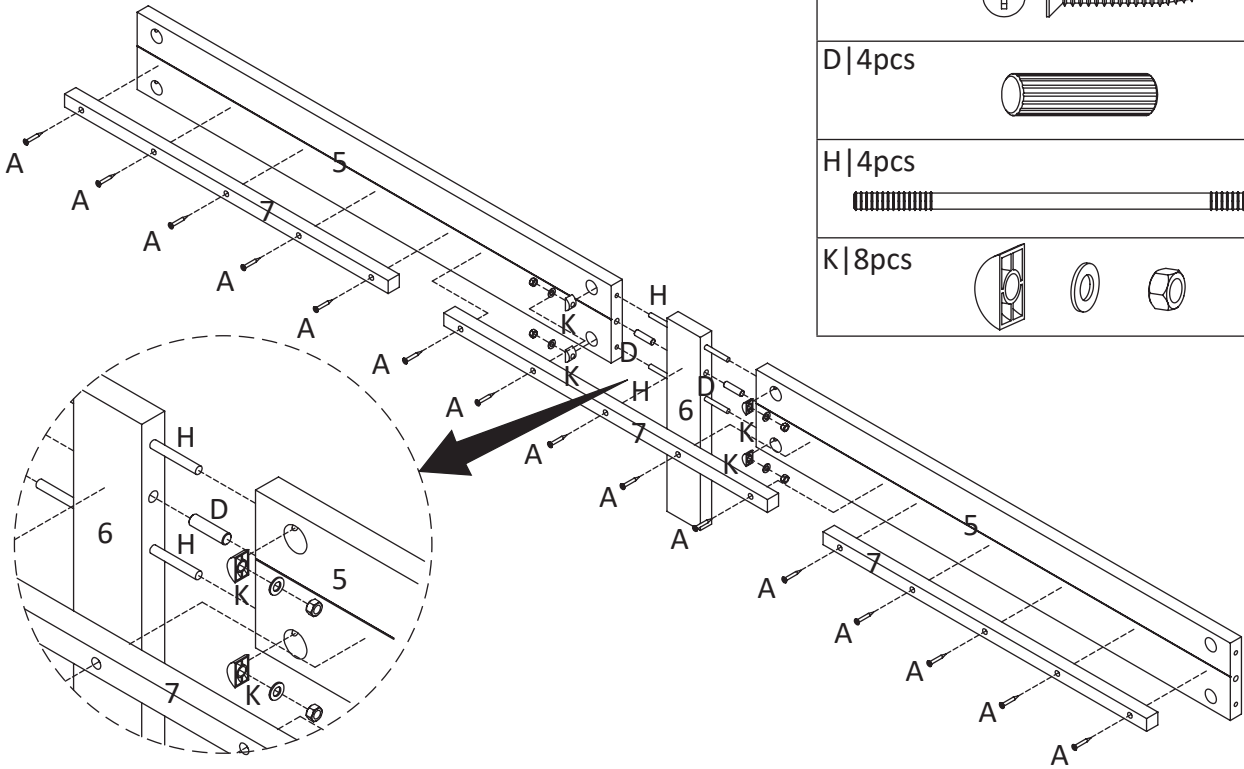
G | 8pcs



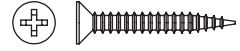
K | 8pcs



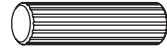
3 x2



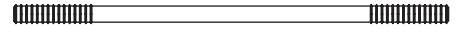
A | 30pcs



D | 4pcs



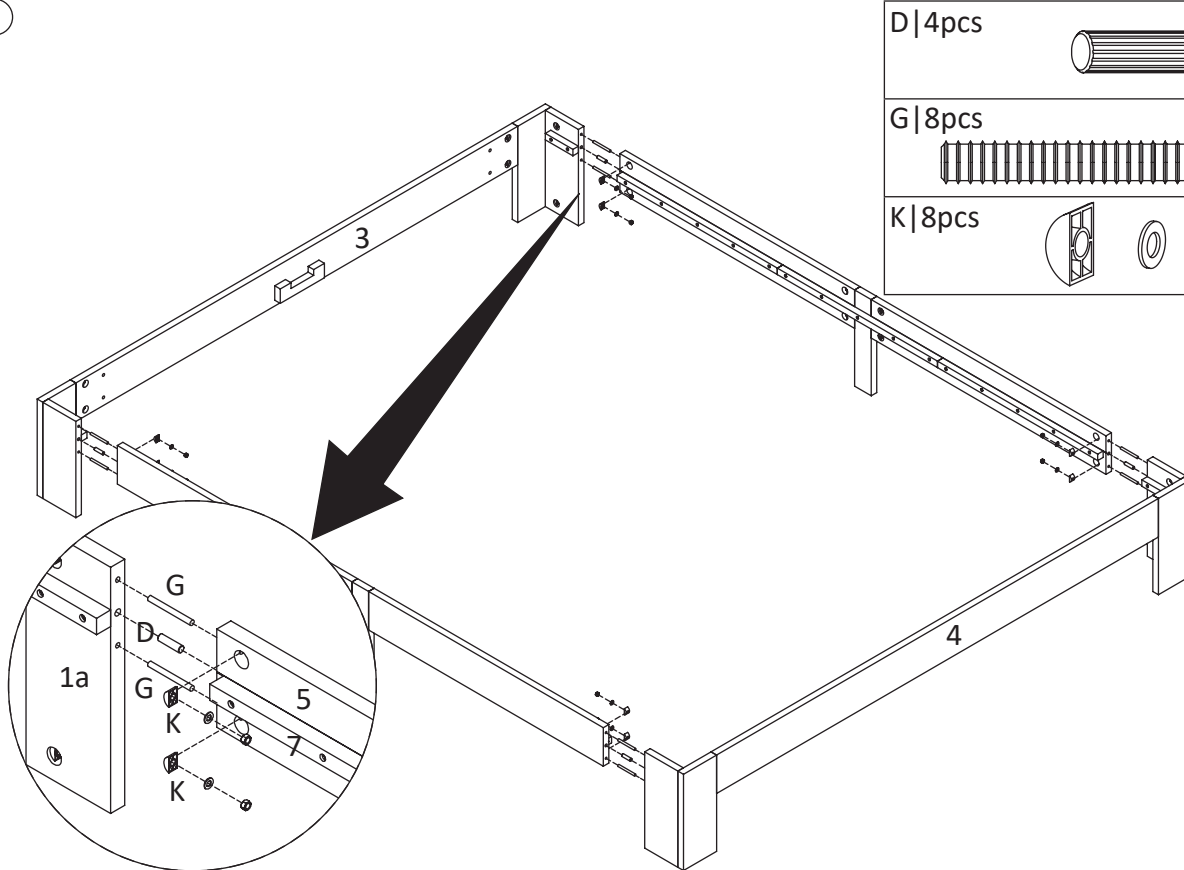
H | 4pcs



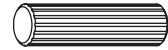
K | 8pcs



4



D | 4pcs



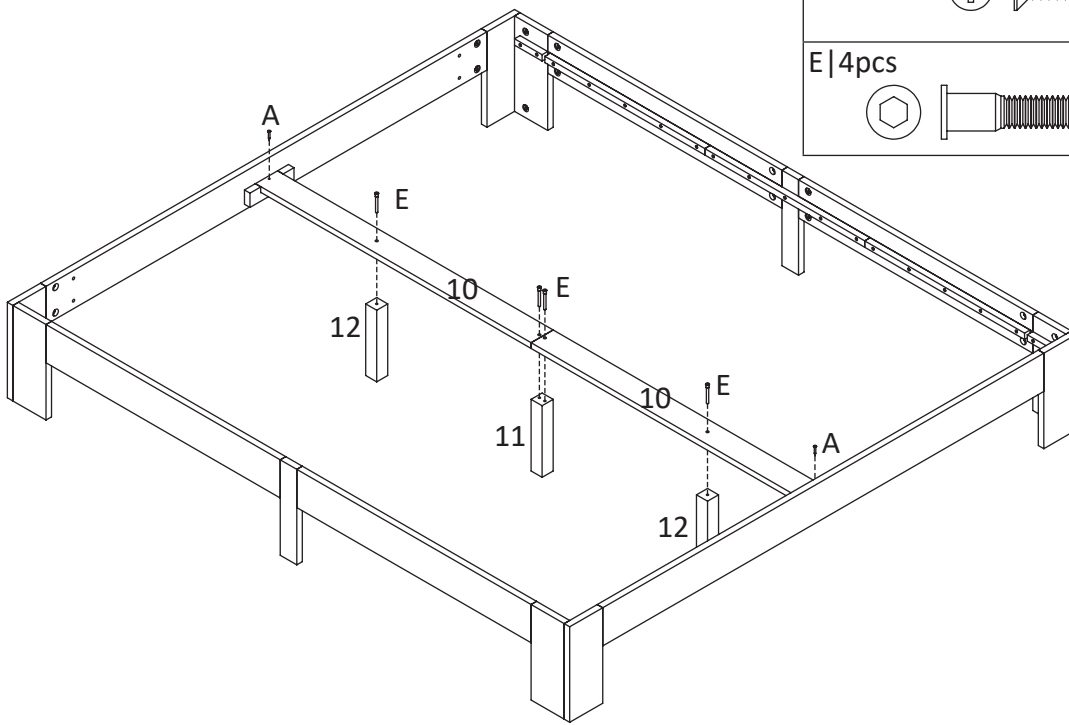
G | 8pcs



K | 8pcs



5



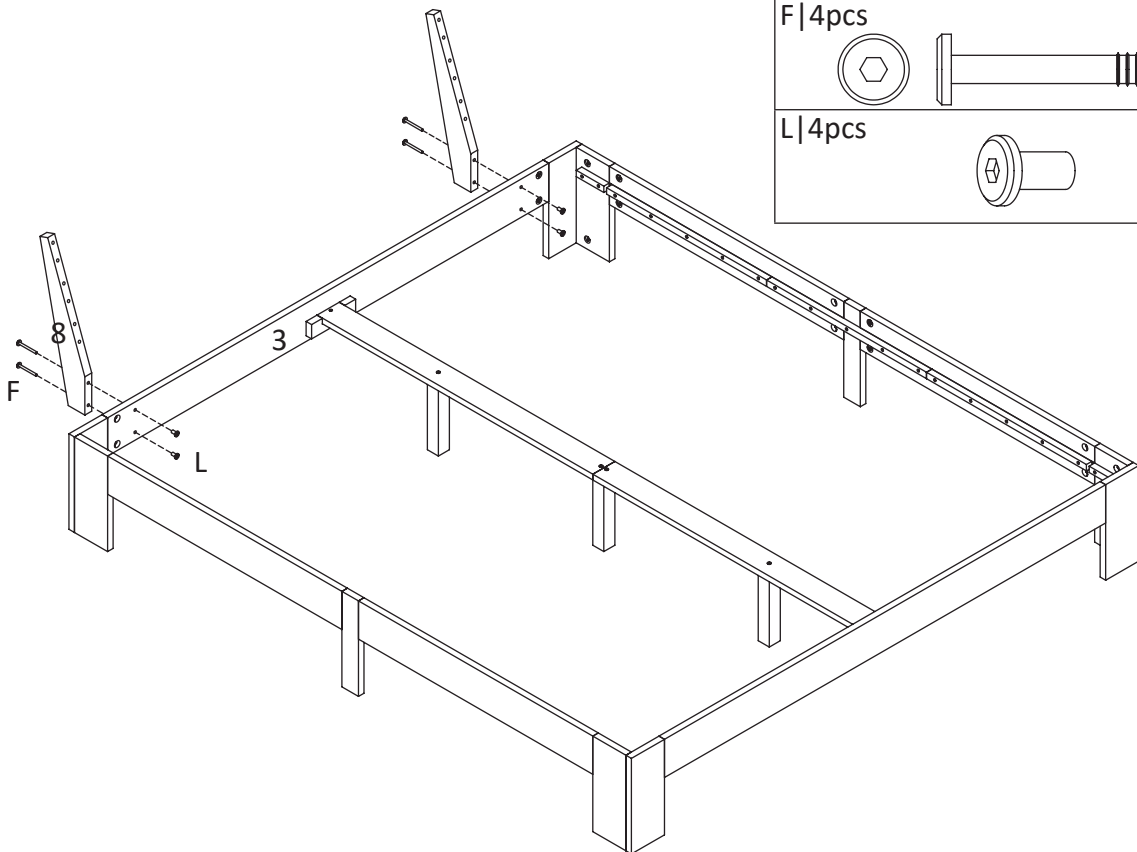
A | 2pcs



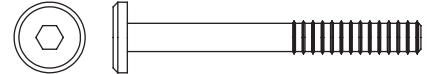
E | 4pcs



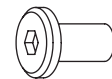
6



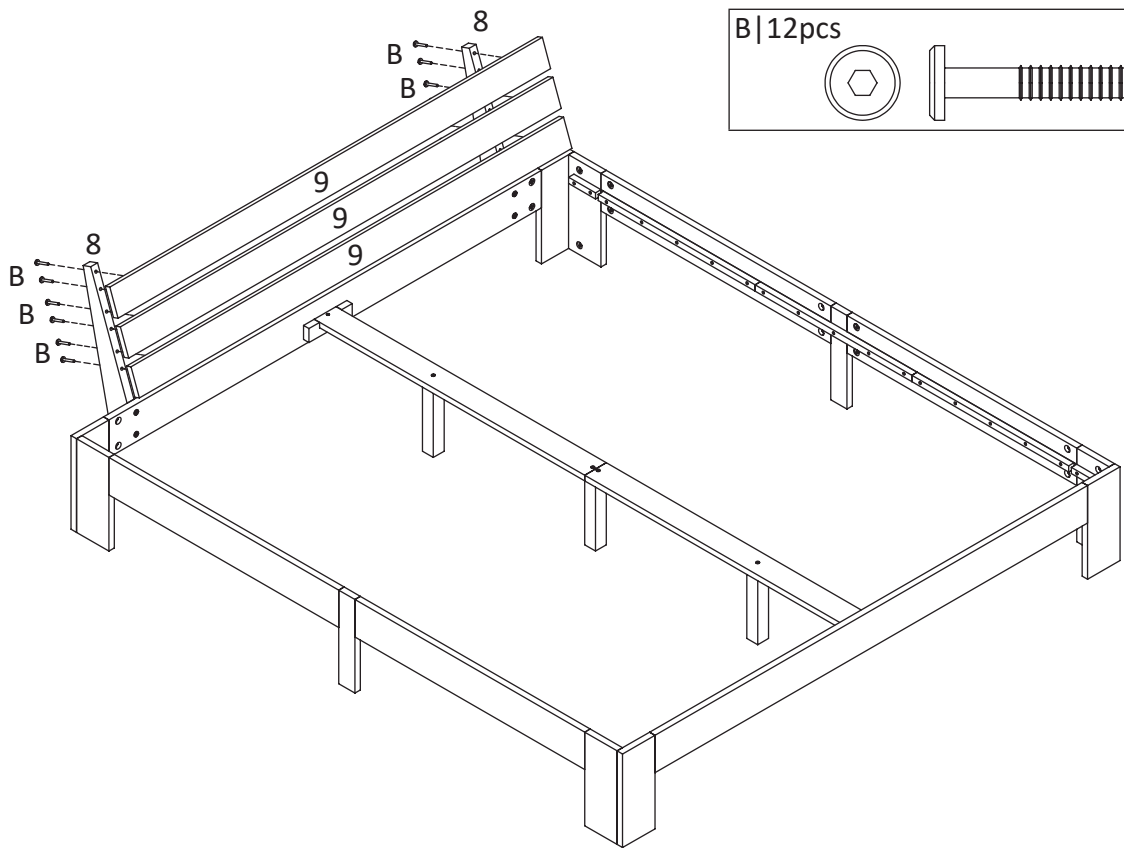
F | 4pcs



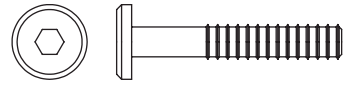
L | 4pcs



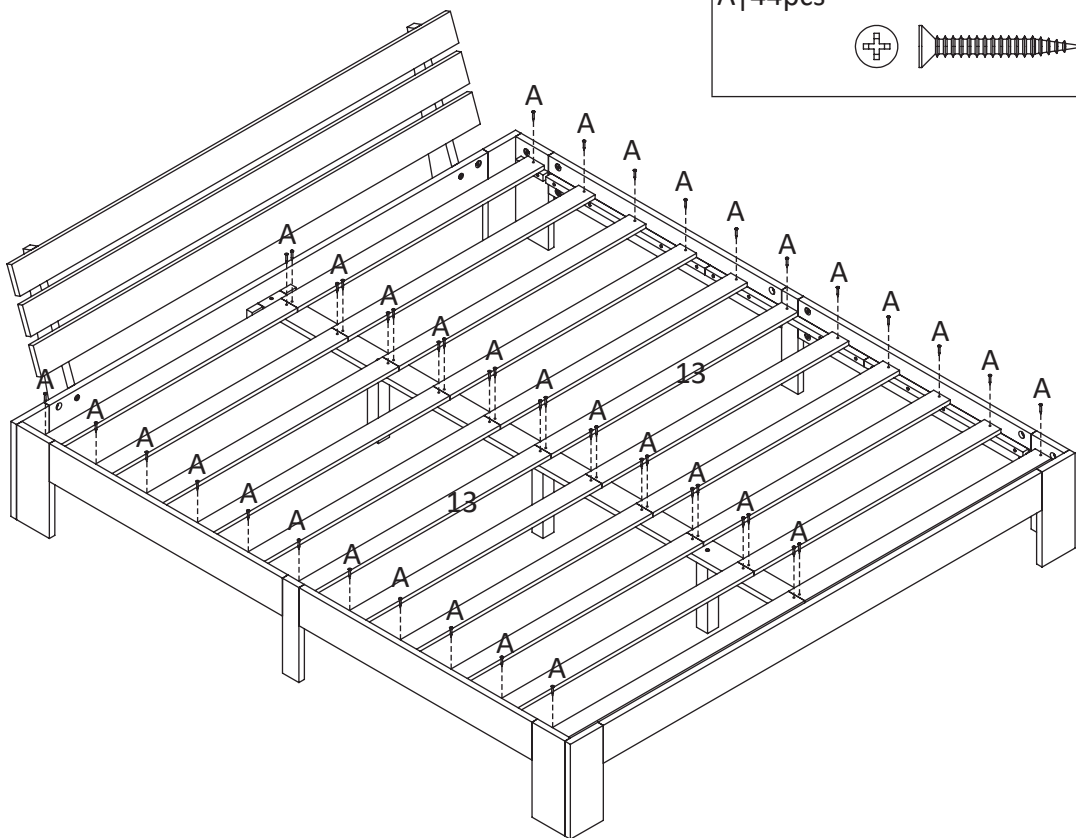
7



B | 12 pcs



8



A | 44 pcs



9

A | 4pcs

