
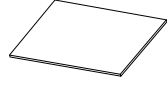
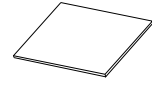
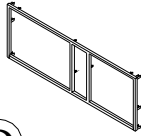
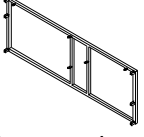




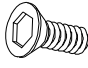
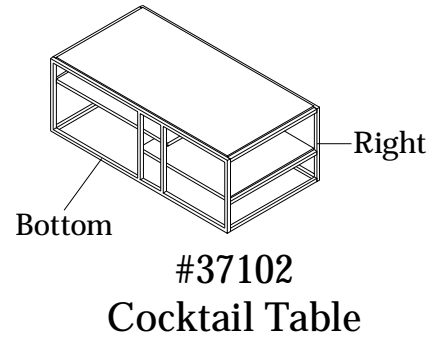


Paradigm Occasional Tables Assembly Instructions

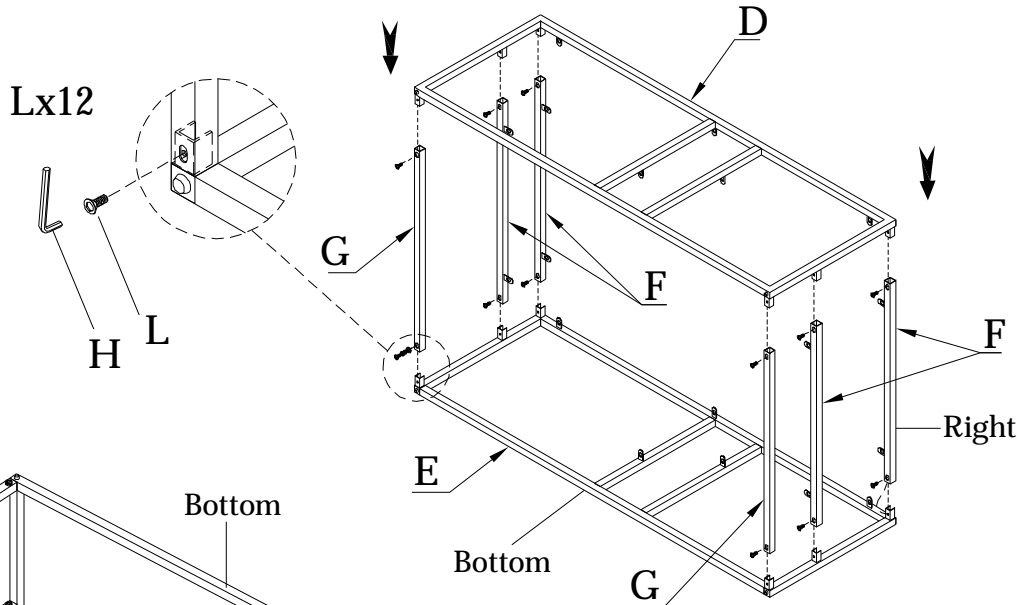
Made in Viet Nam

Components and Hardware List

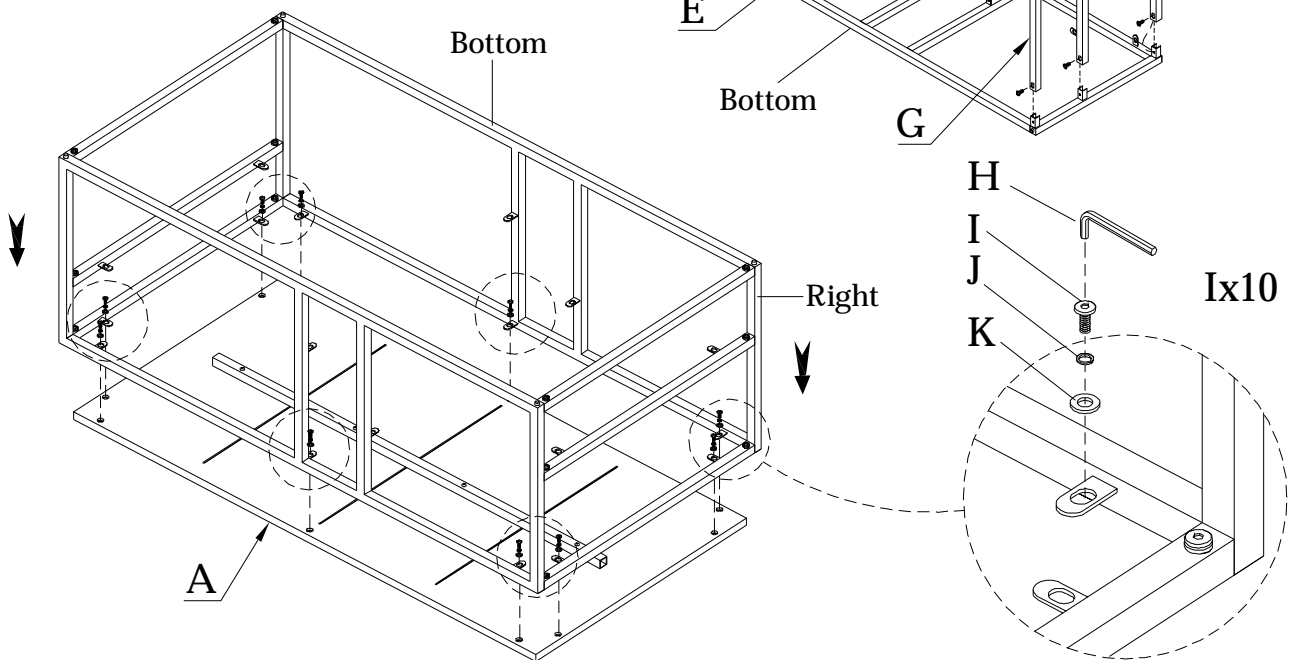
<p>Table Top</p>  <p>(A) 1 pc.</p>	<p>Middle Shelf</p>  <p>(B) 1 pc.</p>	<p>Lower Shelf</p>  <p>(C) 1 pc.</p>	<p>Front Frame</p>  <p>(D) 1 pc.</p>
<p>Back Frame</p>  <p>(E) 1 pc.</p>	<p>Side stretcher</p>  <p>(F) 4 pcs.</p>	<p>Lower stretcher</p>  <p>(G) 2 pcs.</p>	<p>M4 Allen Key</p>  <p>(H) 1 pc.</p>
<p>1/4" - Ø16x2mm Flat Washer</p>  <p>(K) 18 pcs.</p>	<p>1/4"-20 x 5/8" Allen Flat Head Bolt</p>  <p>(L) 12 pcs.</p>	<p>Be sure to check all packing material carefully for small parts, which may have come loose inside the carton during shipment. To prevent possible scratches and damage, this furniture should be assembled on a soft surface such as a blanket or carpet.</p>	



Step 1:



Step 2:

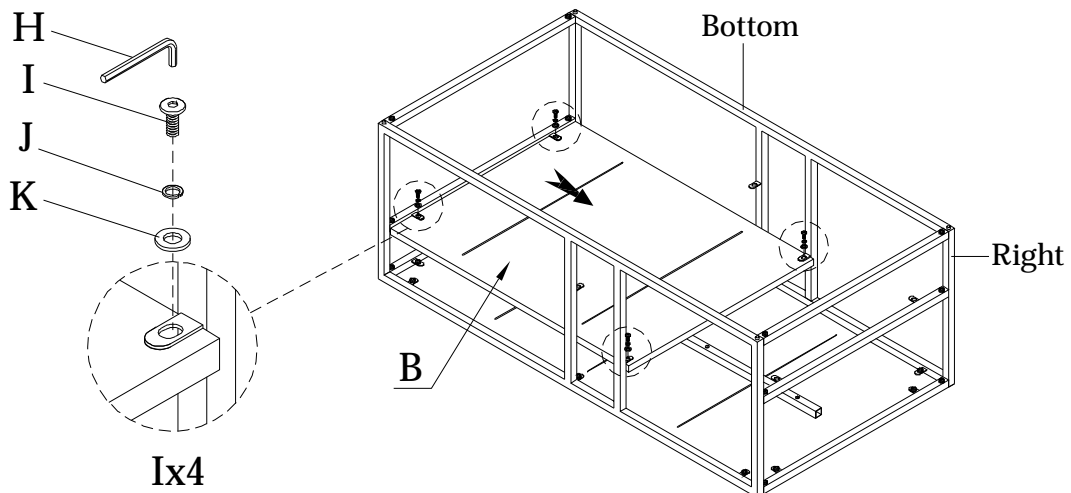


*Paradigm
Occasional Tables
Assembly Instructions*

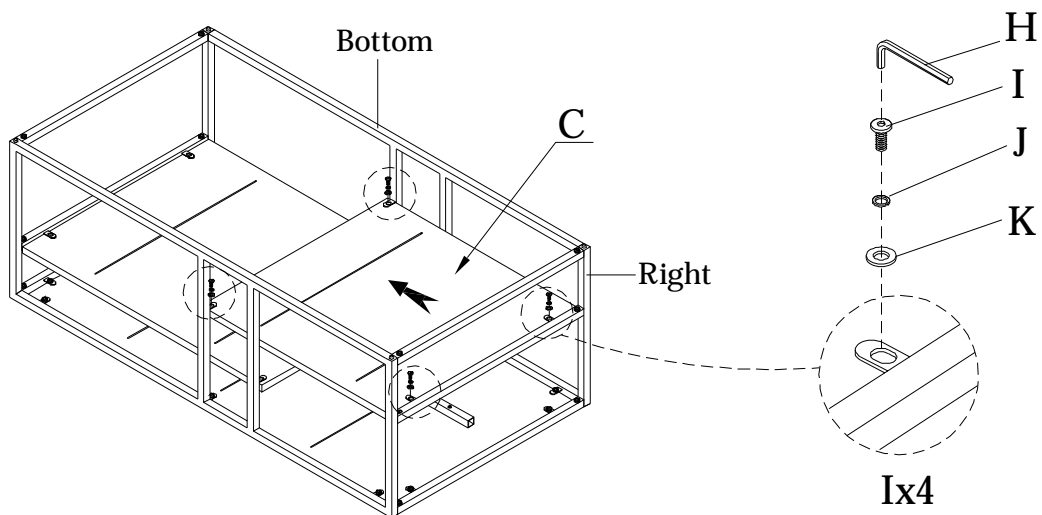
Made in Viet Nam

#37102
Cocktail Table

Step 3:



Step 4:



Step 5:

