

# Assembly Instructions

## **WARNING!!**

### **Furniture Tipping Risk.**

Serious risk of severe or fatal crush injuries can occur from furniture tipping over if not secured.

**Children like to climb on furniture and Unsecured furniture can pose a serious danger.**

**Please follow all instructions and install the tip-over restraints provided.**

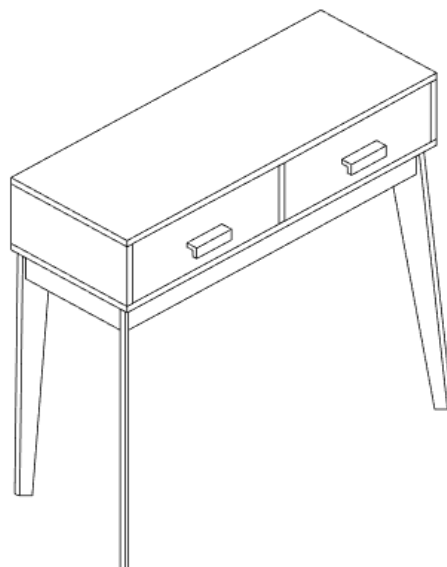
**In addition to installing the restraints, to help prevent tip-over:**

- 1. Place heaviest items in the lowest drawers;**
- 2. Unless specifically designed to accommodate, do not set TV's or other heavy objects on top of this product;**
- 3. Never allow children to climb or hang on drawers, doors, or shelves;**
- 4. Do not leave drawers open;**
- 5. Never open more than one drawer at a time;**
- 6. Do not step on the base.**

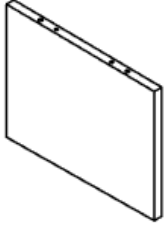
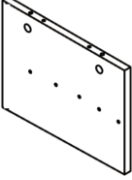
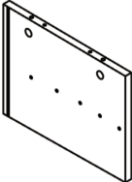
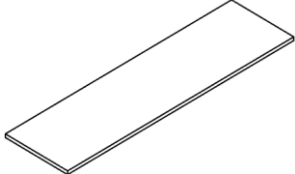
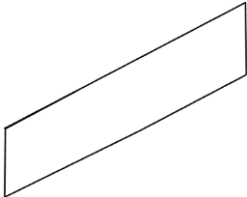
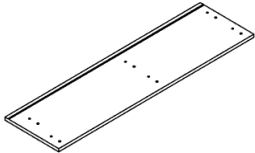
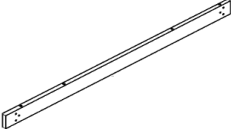
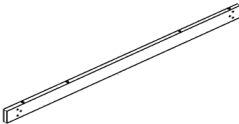
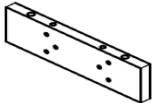
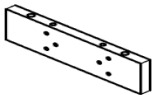
**Caution : You must read this before you proceed**


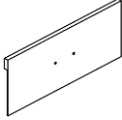
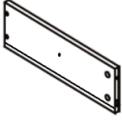
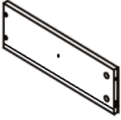
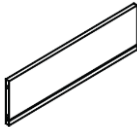
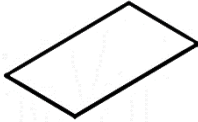
**Please look in the velcro pouch for hardware packs and legs.**

## **Desk**




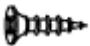
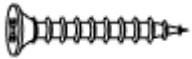












# Parts List

Label	Picture	Description	QTY
A		Left Side Panel	1
B		Middle Side Panel	1
C		Right Side Panel	1
D		Top Panel	1
E		Back Panel	1
F		Bottom Panel	1
G		Front Support Bar	1
H		Back Support Bar	1
I		Left Support Bar	1
J		Right Support Bar	1







K		Leg	4
L		Drawer Front Panel	2
M		Drawer Left Side Panel	2
N		Drawer Right Side Panel	2
O		Drawer Back Panel	2
P		Drawer Base Panel	2

## Hardware

Label	Picture	Description	QTY
①		Cam Bolt	7
②		Dowel (M8x30mm)	21
③		Cam Nut	7
④		Screw (M3x12mm)	13
⑤		Screw (M4x25mm)	17
⑥		Screw (M4x15mm)	25
⑦		Handle	2
⑧		Metal Plate	4

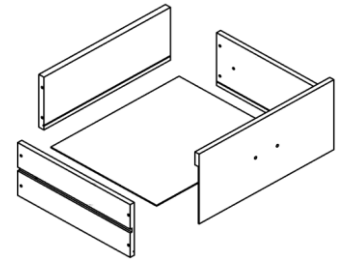
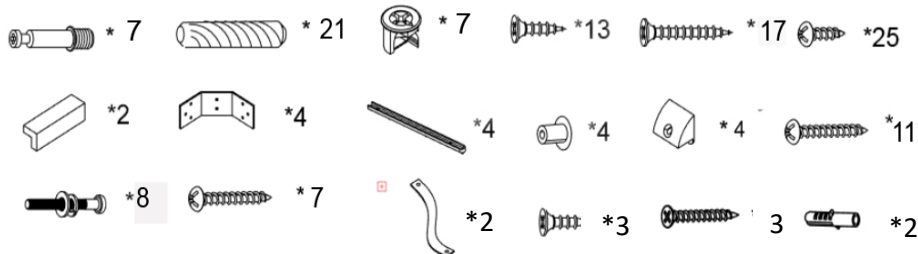
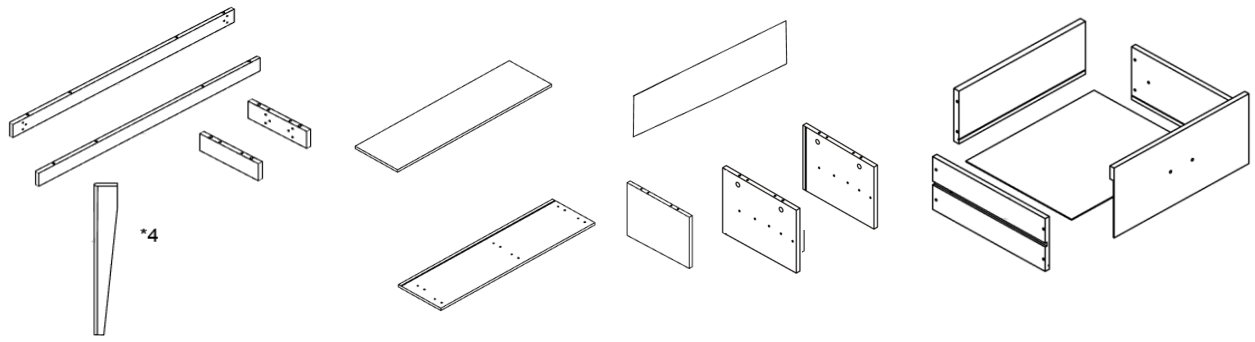
⑨		Drawer Slide	4
⑩		Drawer Stopper	4
⑪		Corner Support	4
⑫		Screw (M4x25mm)	11
⑬		Screw (M6x40mm)	8
⑭		Screw (M4x35mm)	7
⑮		Screwdriver (Not provided)	1

### Restraint Device Hardware

⑯		Restraint Strap	2
⑰		Wall Anchor	2
⑱		Screw (M3x12mm)	3
⑲		Screw (M4x35mm)	3
⑳		Hammer (Not Provided)	1
㉑		Power Drill (Not Provided)	1

## Assembly Preparation

Before Beginning Assembly:



- Read instructions, cover to cover-



- Have 2 adults on hand for assembly-



- Do not assemble on flooring or carpet-



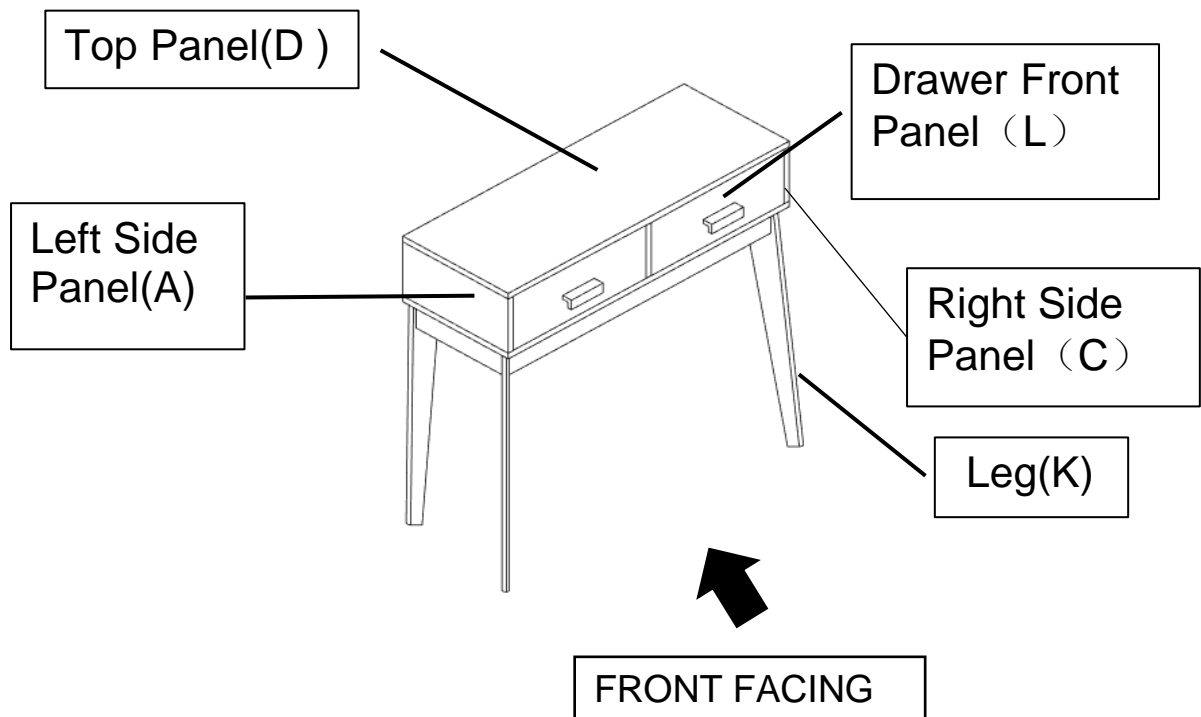
- Assemble on a clean non-marring surface (packing foam)-



- Save all packaging until finished-

## Assembly Steps

### Overview

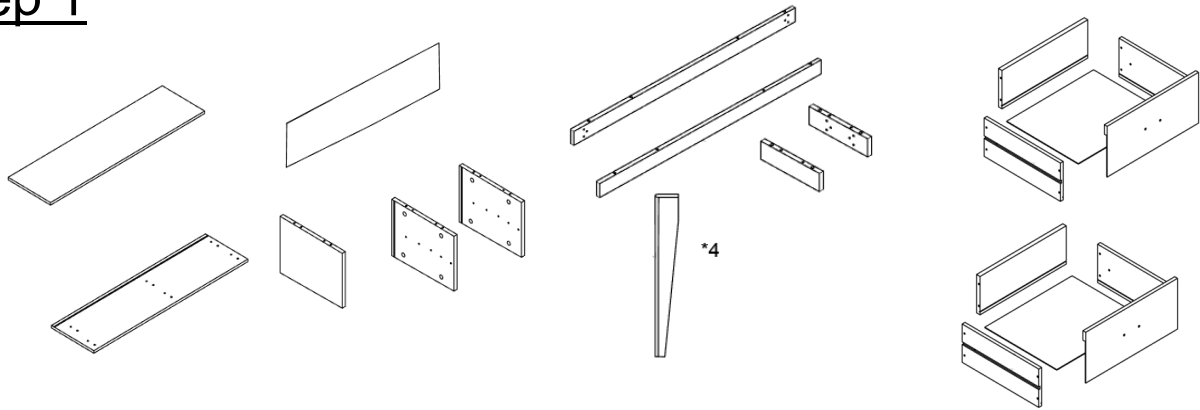


This Desk has multiple parts and may require up to 30 minutes to assemble.

To give you an overview of the Desk parts, the above picture is to help you put the various parts into perspective.

Please read through the instructions below to familiarise yourself with the parts and steps before assembly.

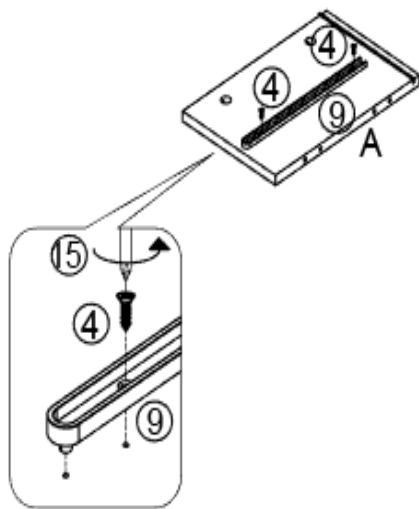
## Step 1



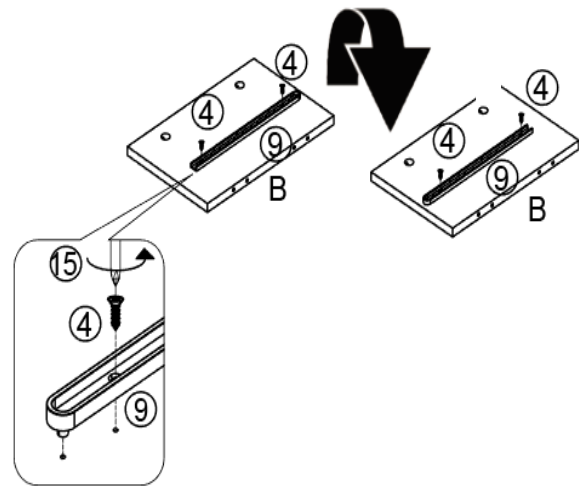
Unpack and place all parts on a clean, non-marring surface.

## Step 2

2.1



2.2

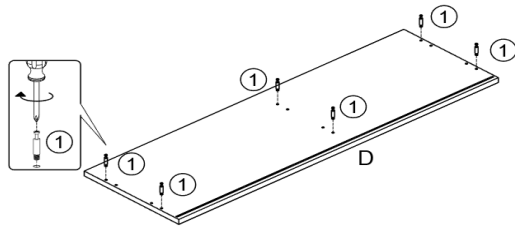


2.1) Attach Drawer Slide(⑨) to the Left Side Panel(A) using Screw(④) with Screwdriver(⑮) as shown.

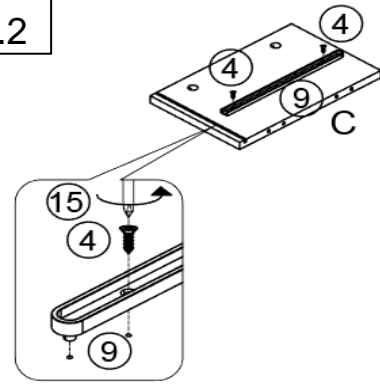
2.2) Attach Drawer Slide(⑨) to the Middle Side Panel(B) using Screw(④) with Screwdriver(⑮) as shown. Turn Middle Side Panel(B) back and then attach Drawer Slide(⑨) to the Middle Side Panel(B) using Screw(④) with Screwdriver(⑮).

## Step 3

3.1



3.2

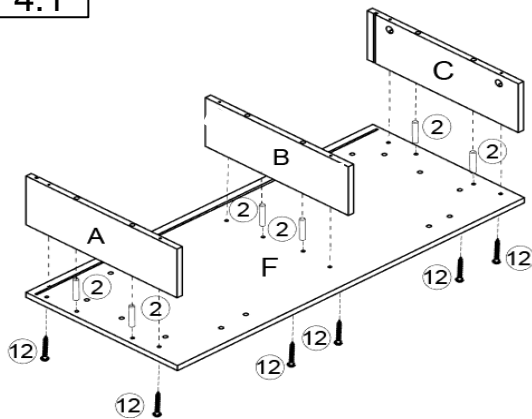


3.1) Insert Cam Bolt(①) into the mounting positions on Top Panel(D) using Screwdriver(⑮) as shown.

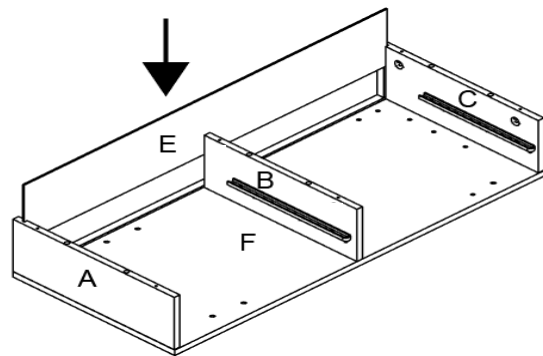
3.2) Insert Drawer Slide(⑨) into the Right Side Panel(C) using Screw(④) with Screwdriver(⑮) as shown.

## Step 4

4.1



4.2

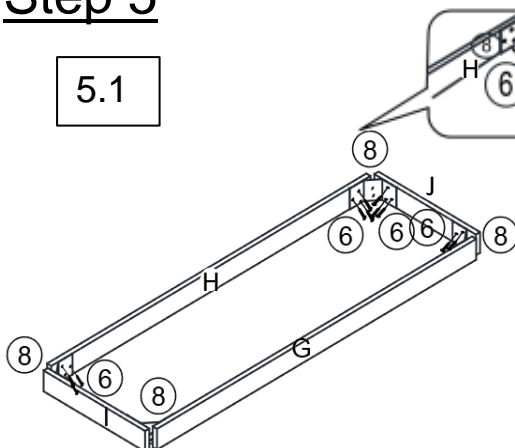


4.1) Insert Dowel(②) into Bottom Panel(F). Attach Left Side Panel(A), Middle Side Panel(B) and Right Side Panel(C) to the Bottom Panel(F) using Screw(⑫) with Screwdriver(⑮)

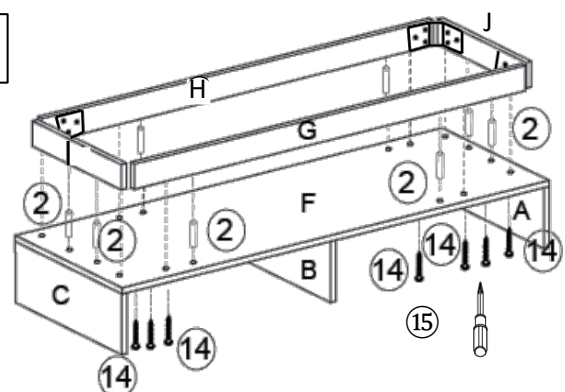
4.2) Insert Back Panel(E) into the grooves on Left Side Panel(A), Middle Side Panel(B) Right Side Panel(C) and the Bottom Panel(F).

## Step 5

5.1



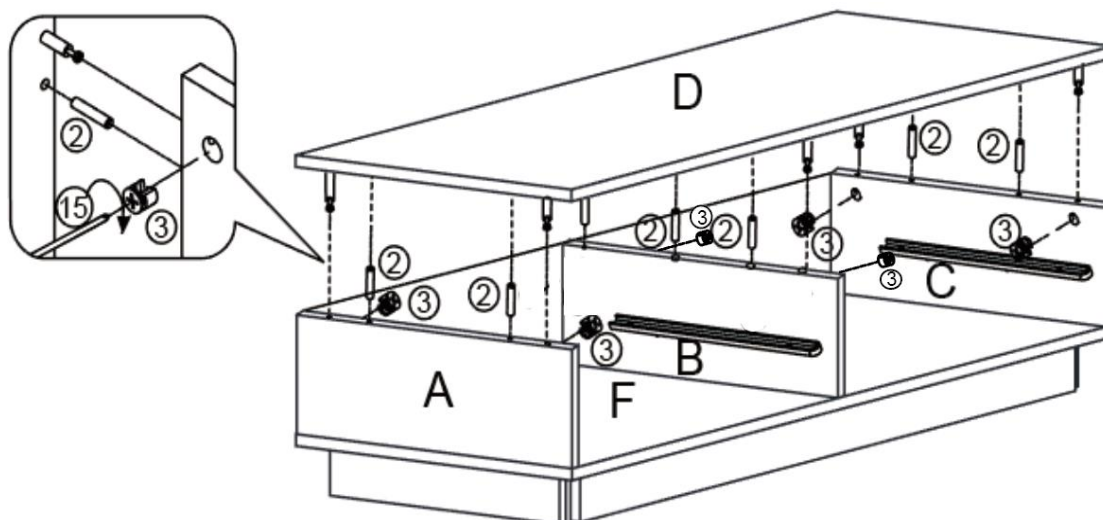
5.2



5.1) Attach Metal Plate(⑧) to the Front Support Bar(G), Back Support Bar(H), Left Support Bar(I) and Right Support Bar(J) using Screw(⑥) with Screwdriver(⑮).

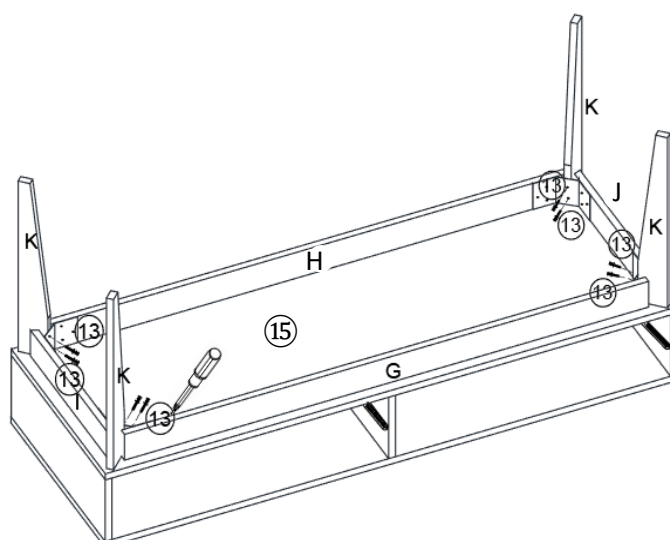
5.2) Attach Front Support Bar(G), Back Support Bar(H), Left Support Bar(I) and Right Support Bar(J) to the Bottom Panel(F) using Dowel(②) and Screw(⑭) with Screwdriver(⑮).

## Step 6



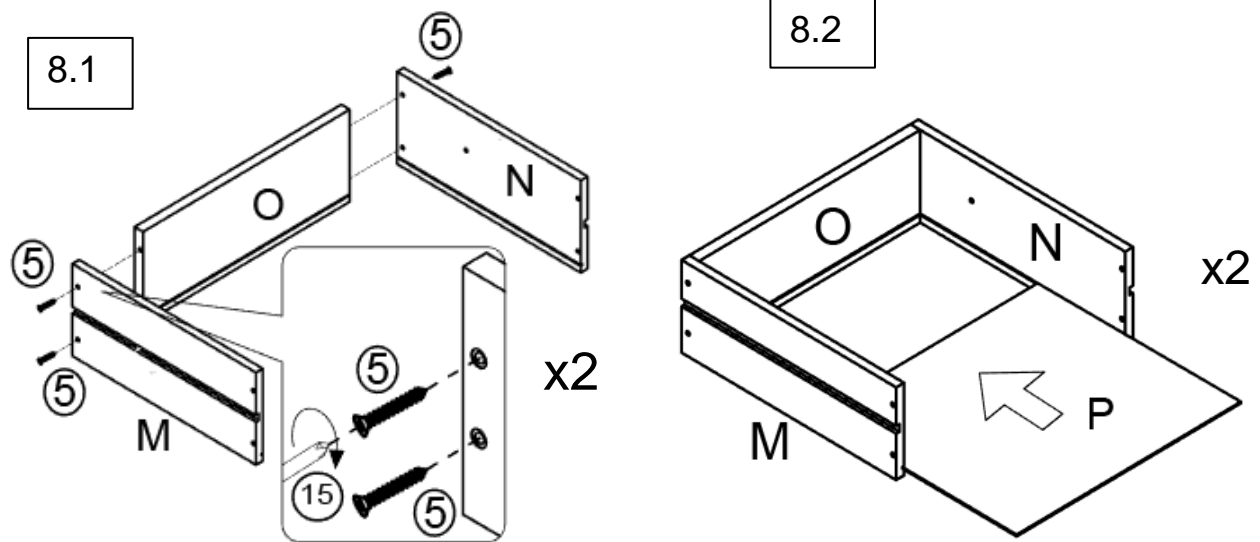
Insert Dowel(②) into Left Side Panel(A), Middle Side Panel(B) and Right Side Panel(C). Attach Top Panel(D) to the Left Side Panel(A), Middle Side Panel(B) and Right Side Panel(C) using Cam Nut(③) with Screwdriver(⑮).

## Step 7



Attach four Leg(K) to the Front Support Bar(G), Back Support Bar(H), Left Support Bar(I) and Right Support Bar(J) using Screw(⑬) with Screwdriver(⑮) as shown.

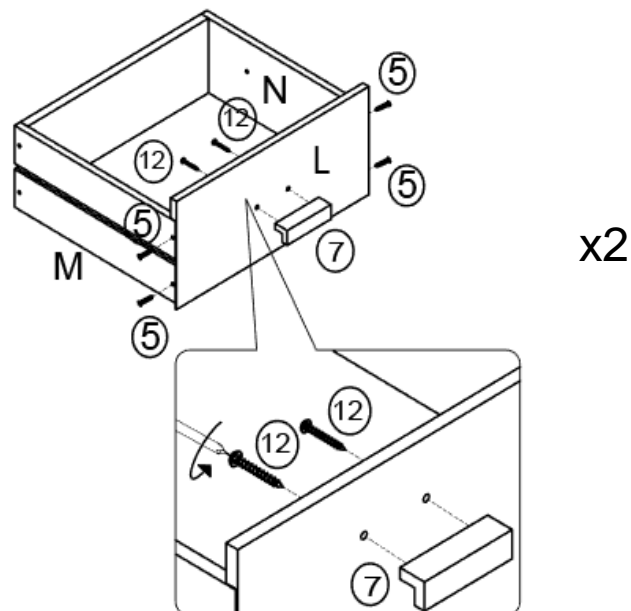
## Step 8



8.1) Attach Drawer Left Side Panel(M) and Drawer Right Side Panel(N) to the Drawer Back Panel(O) using Screw(5) with Screwdriver(15).

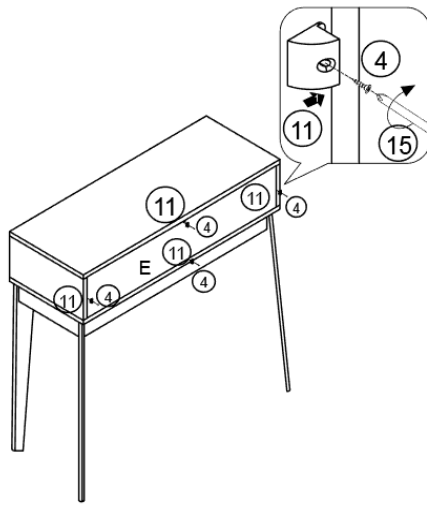
8.2) Insert Drawer Base Panel(P) into the grooves on Drawer Left Side Panel(M), Drawer Right Side Panel(N) and Drawer Back Panel(O).

## Step 9

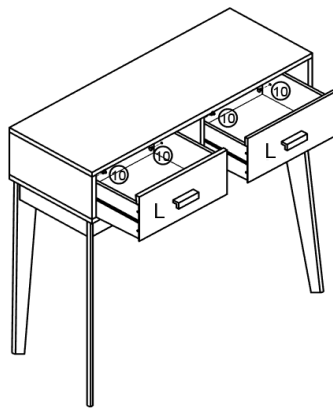


Attach Handle(7) to the Drawer Front Panel(L) using Screw(12) with Screwdriver(15). Attach Drawer Front Panel(L) to the Drawer Left Side Panel(M) and Drawer Right Side Panel(N) using Screw(5) with Screwdriver(15).

## Step 10



Attach Corner Support(11) to the Back Panel(E) using Screw(4) with Screwdriver(15).



Attach Drawer Stopper(10) to the Drawer Left Side Panel(M) and Drawer Right Side Panel (N), then carefully insert the drawer into the Desk along the Runners and Runner Tracks.

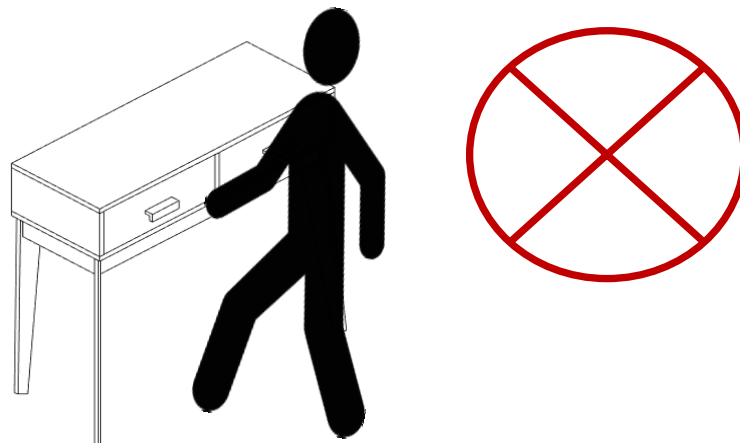


### WARNING

**Serious or fatal crushing injuries can occur from tipping furniture.**

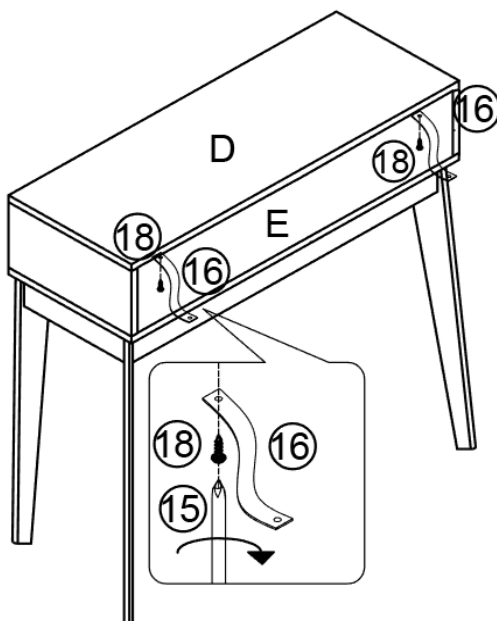
**To help prevent tip-over: ALWAYS secure this furniture to the wall using Cabinet Restraint Device.**

**See product instructions for more ways to help prevent furniture tip-over.**



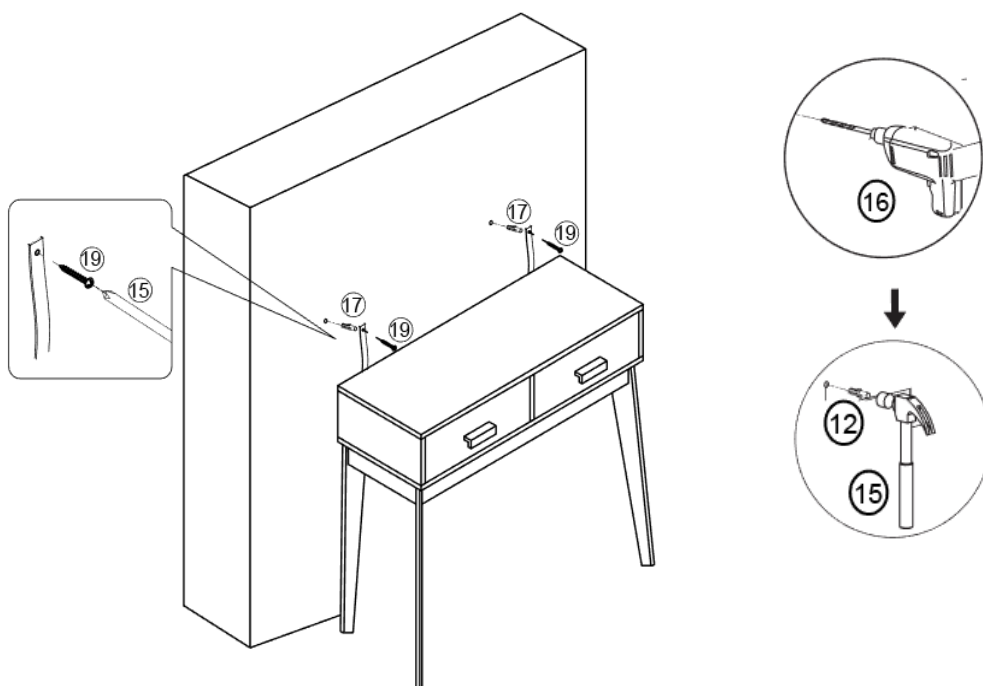
## Usage For Cabinet Restraint Device:

### Step 12























Attach Restraint Strap(16) to the Top Panel(D) using Screw(18) with Screwdriver(15).

### Step 13



Drill one mounting position on the wall with Power Drill(21) , insert Wall Anchor(17) into drilled mounting position on the wall with Hammer(20). Move the desk back to the wall,lock by Screw(19)with Screwdriver(15).

## Care & Maintenance

-   • Do not put hot items directly on furniture surface
  -   • Do not clean furniture with harsh cleansers or polish.
  -   • Do not place furniture under direct sunlight.
  -   • Do not place furniture near heating or cooling vents.
  -   • Do not write on furniture without a padded barrier to protect the surface.
  -   • Do not place furniture outside . For indoor use only .
  -   • Not for commercial use. For residential use only .
  -   • Stains may be removed with mild soap solution and damp cloth.
  -   • Children should not climb or jump on the furniture.
- 
-   • Dust and pick-up spills using a clean, non-colored, lint-free cloth .