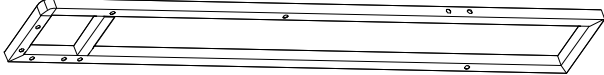
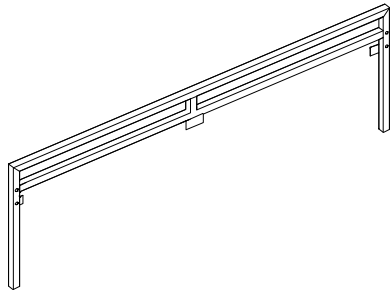
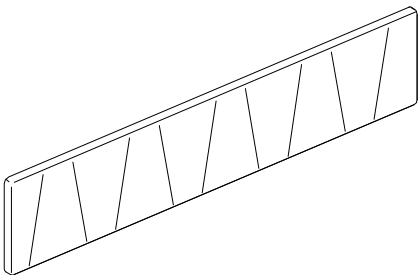
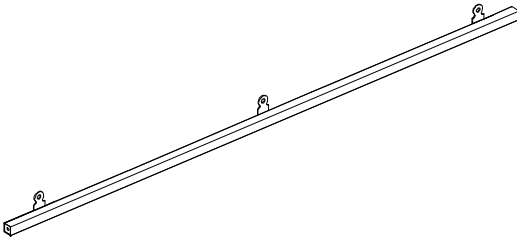
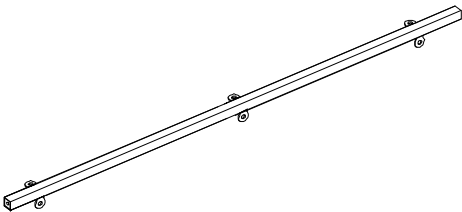
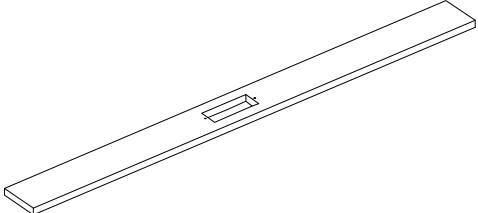
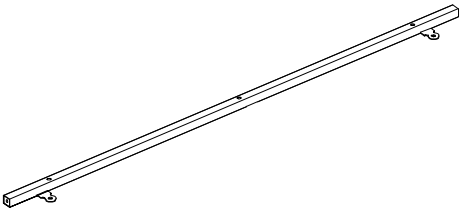
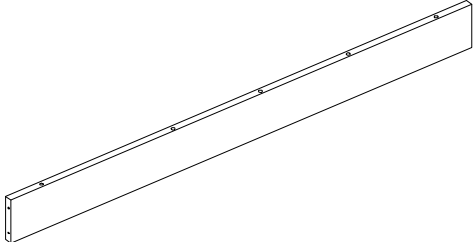


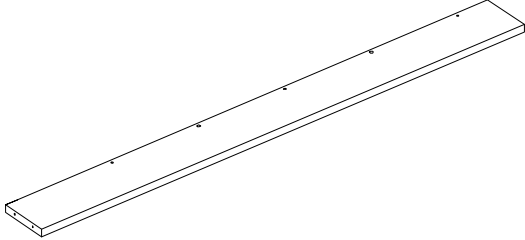
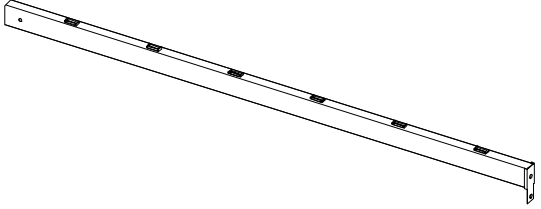
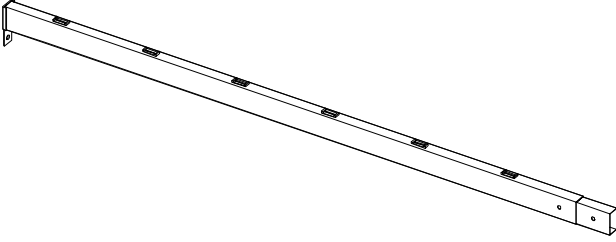

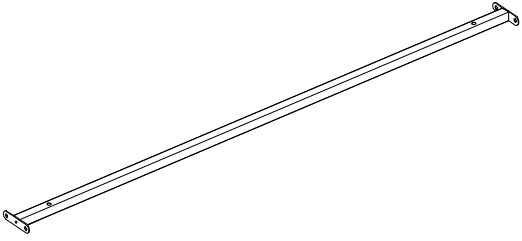
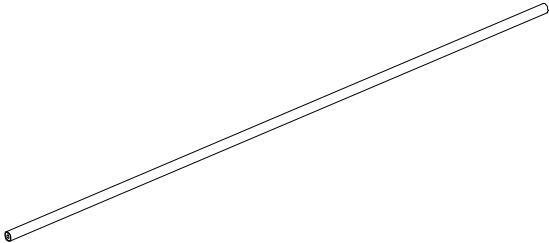
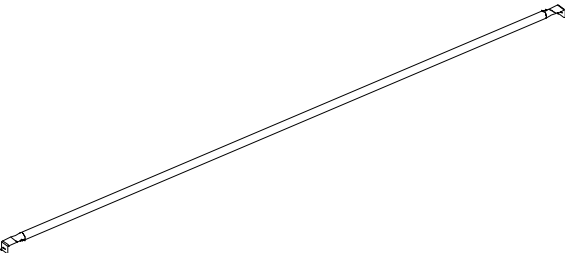
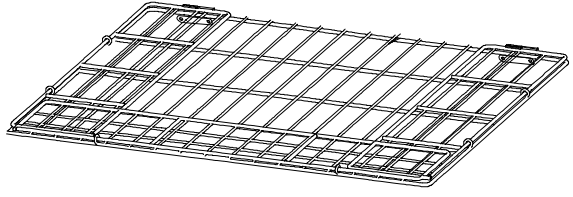
INSTRUCTION MANUAL

Bed

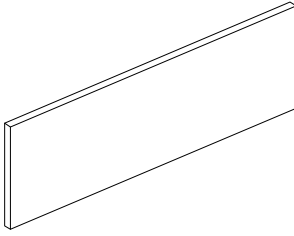
PART LIST

<p>1 x2</p> 	<p>2 x1</p> 
<p>3 x1</p> 	<p>4 x1</p> 
<p>5 x1</p> 	<p>6 x1</p> 
<p>7 x1</p> 	<p>8 x1</p> 

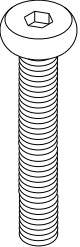
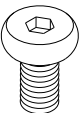
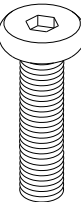
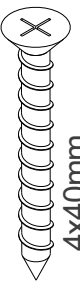
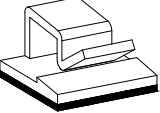



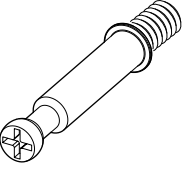
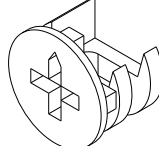
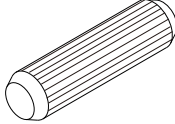
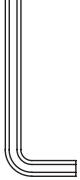

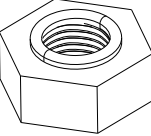
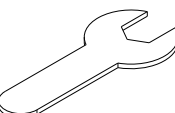
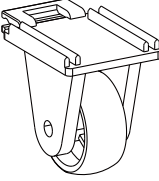
PART LIST

<p>9 x1</p> 	<p>10 x2</p> 
<p>11 x2</p> 	<p>12 x2</p> 
<p>13 x4</p> 	<p>14 x1</p> 
<p>15 x12</p> 	<p>16 x2</p> 

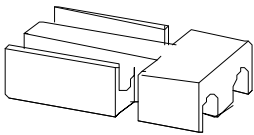
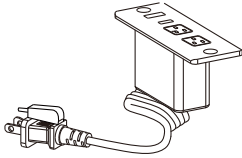

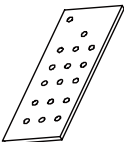
PART LIST

<p>17</p>  <p>x2</p>	

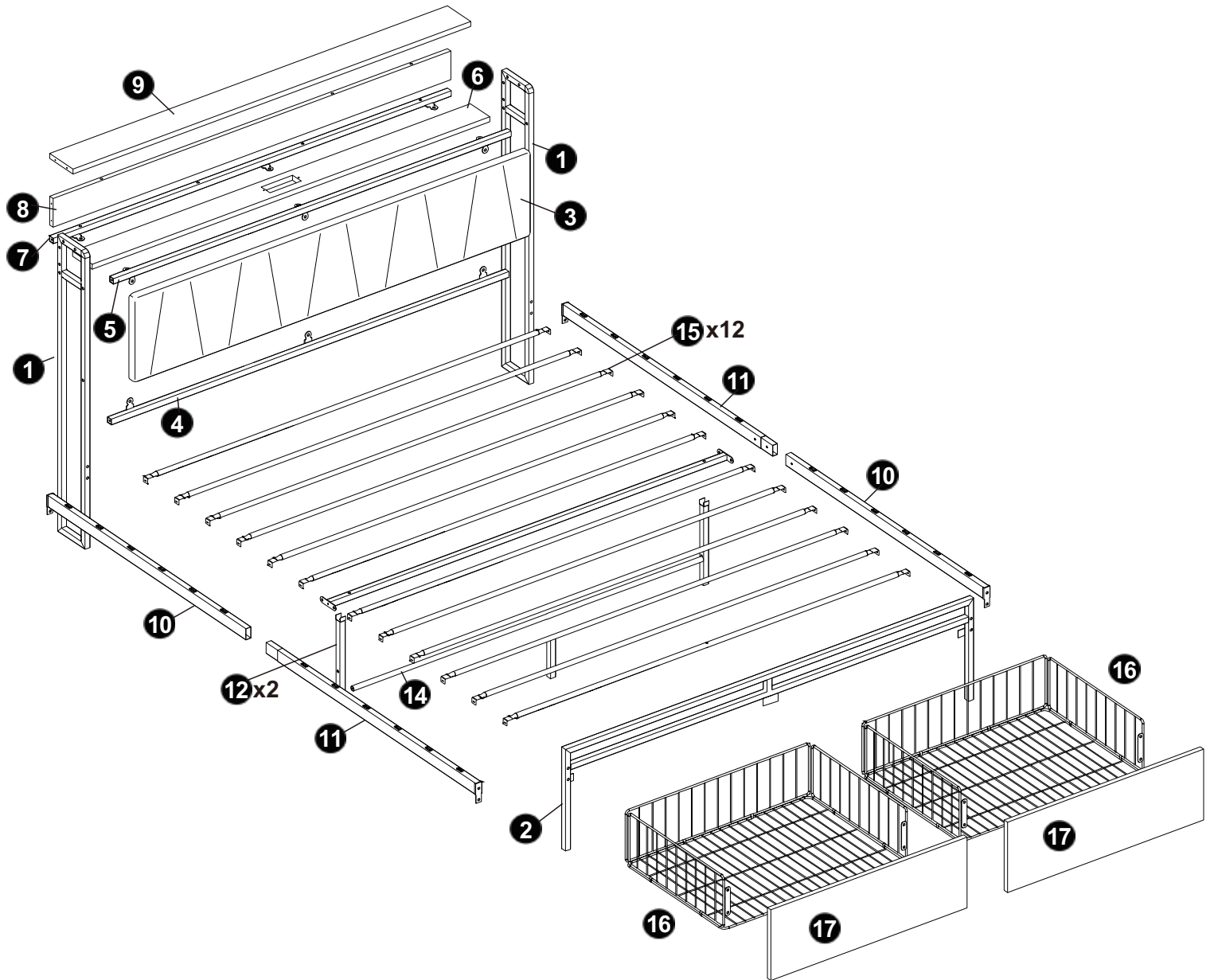
PART LIST

<p>A</p>  <p>M6x45mm</p> <p>x 10</p>	<p>B</p>  <p>M6x10mm</p> <p>x 12</p>	<p>C</p>  <p>M8x35mm</p> <p>x 8</p>	<p>D</p>  <p>4x40mm</p> <p>x 11</p>	<p>E</p>  <p>x 2</p>	<p>S</p>  <p>x 1</p>
<p>F</p>  <p>x 8</p>	<p>G</p>  <p>4x12mm</p> <p>x 14</p>				
<p>H</p>  <p>x 3</p>	<p>I</p>  <p>x 3</p>				
<p>J</p>  <p>x 2</p>	<p>K</p>  <p>M4</p> <p>x 1</p>				
<p>L</p>  <p>M6</p> <p>x 1</p>	<p>M</p>  <p>x 4</p>				
<p>N</p>  <p>x 1</p>	<p>O</p>  <p>x 8</p>				

PART LIST

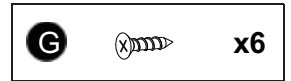
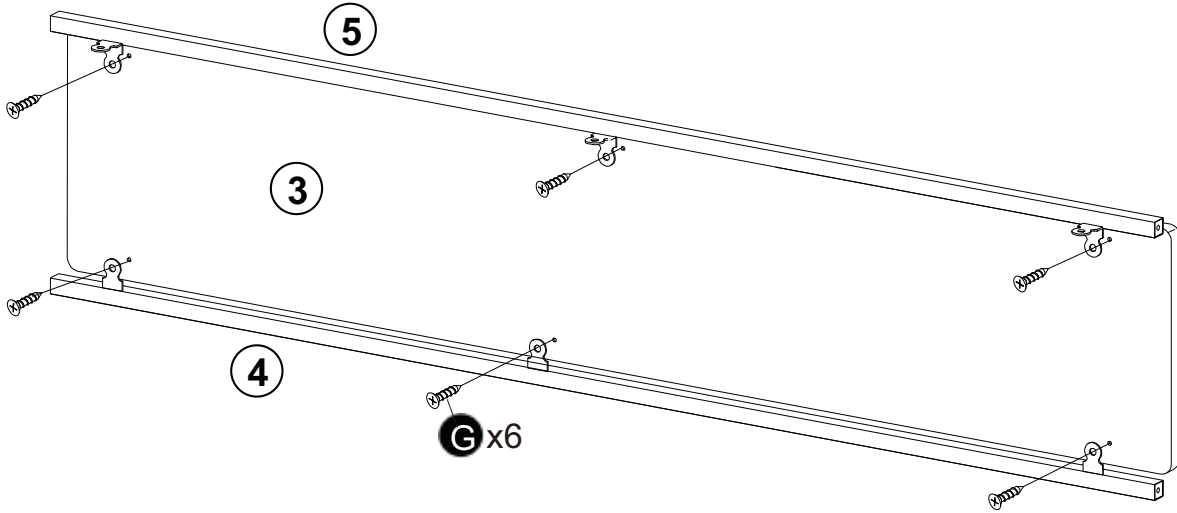
<p>P</p>  <p>x4</p>	<p>Q</p>  <p>x1</p>
<p>R</p>  <p>L-1</p>  <p>L-2</p> <p>x1</p>	

ASSEMBLY INSTRUCTION

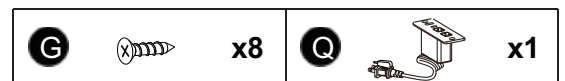
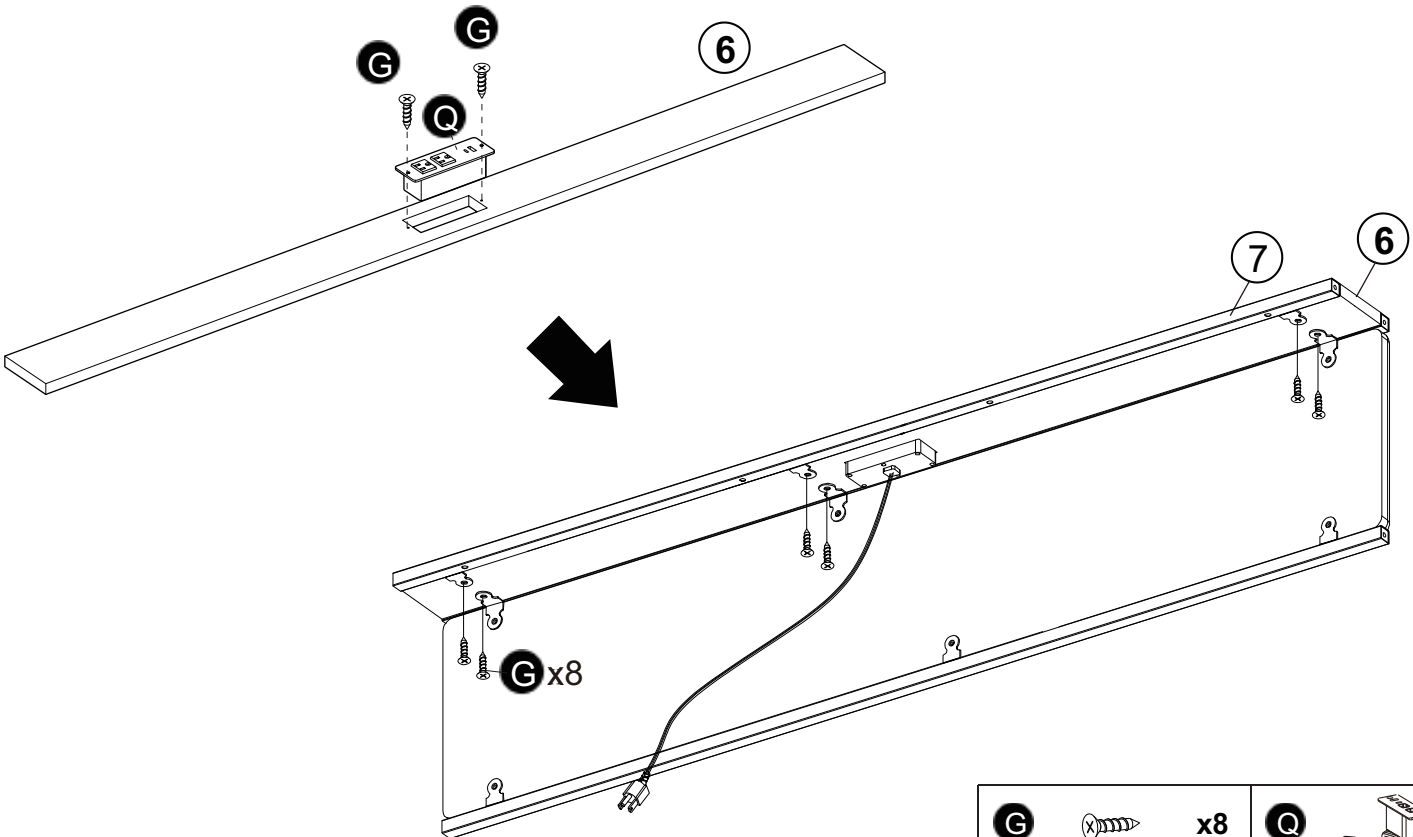


ASSEMBLY INSTRUCTION

1

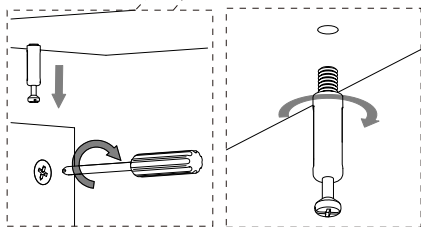
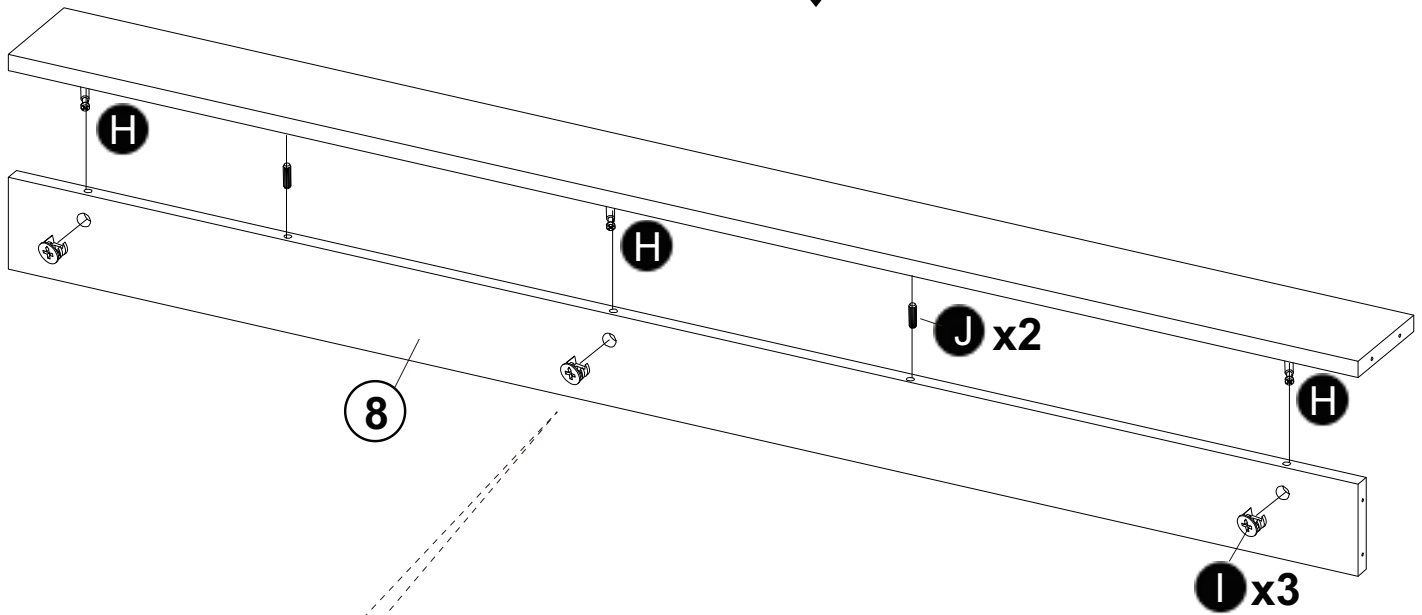
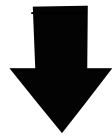
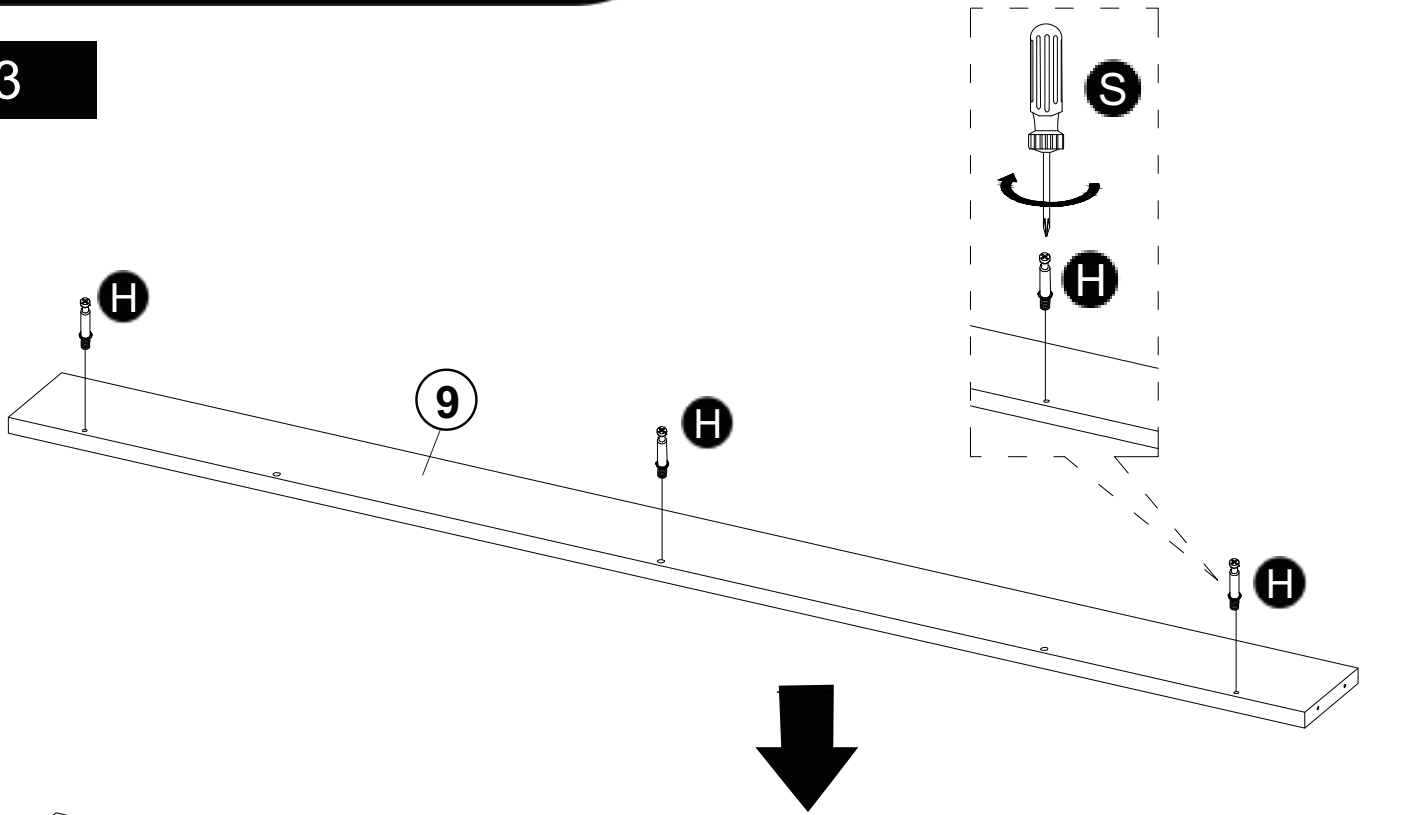





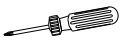
2



ASSEMBLY INSTRUCTION

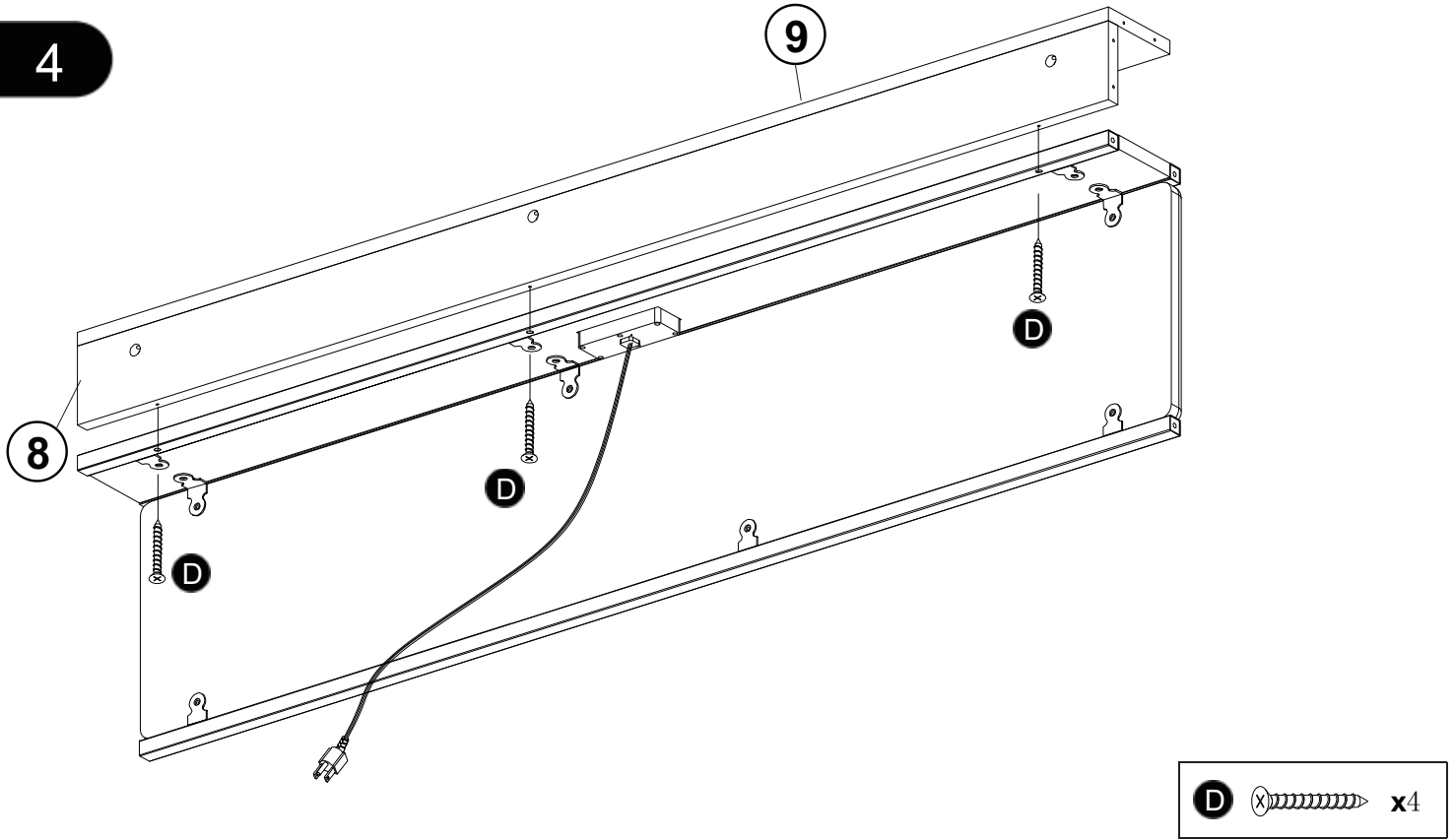
3



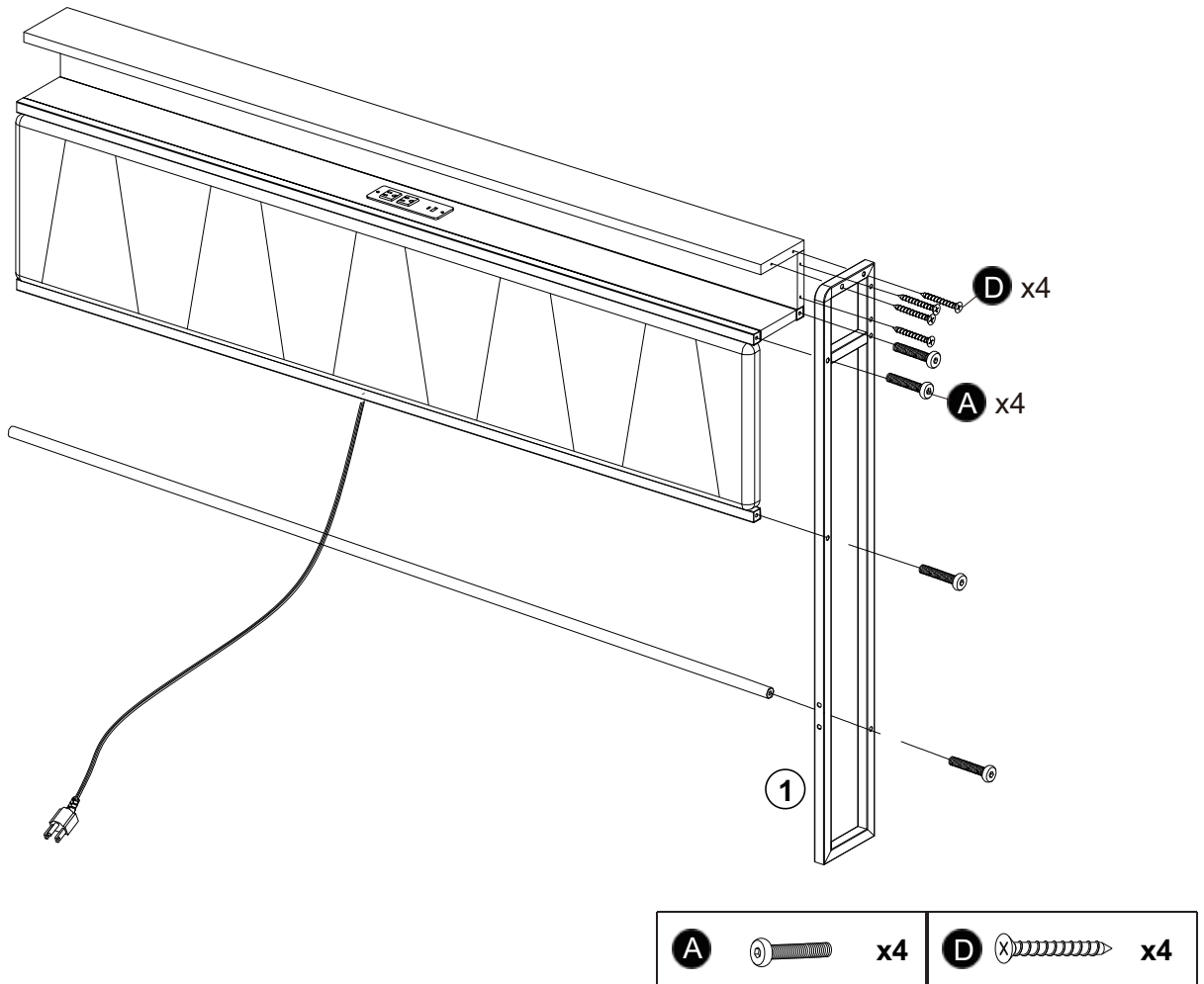
H		x4	I		x4	J		x3	S		x1
----------	---	----	----------	---	----	----------	---	----	----------	---	----

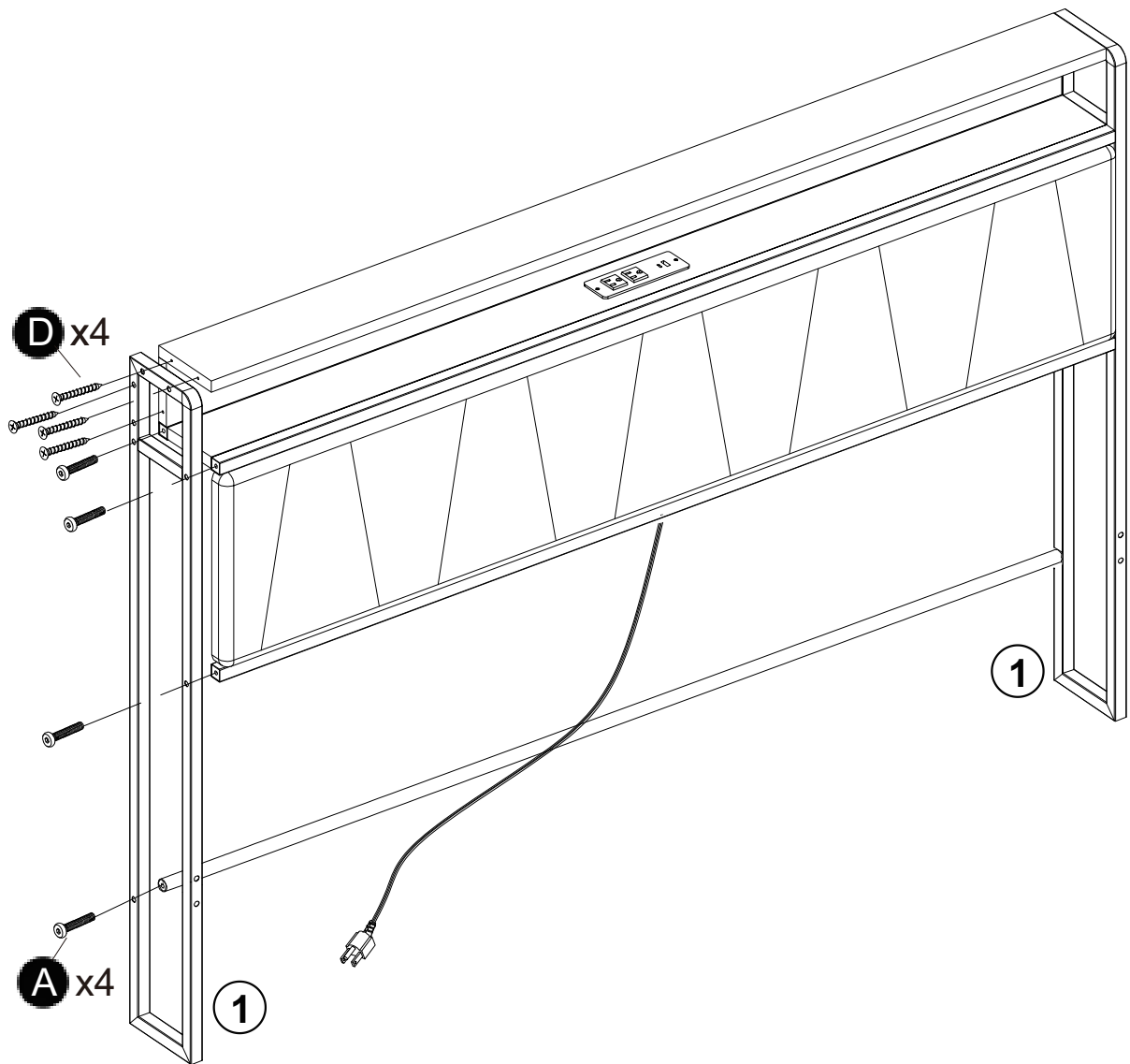
ASSEMBLY INSTRUCTION

4



5

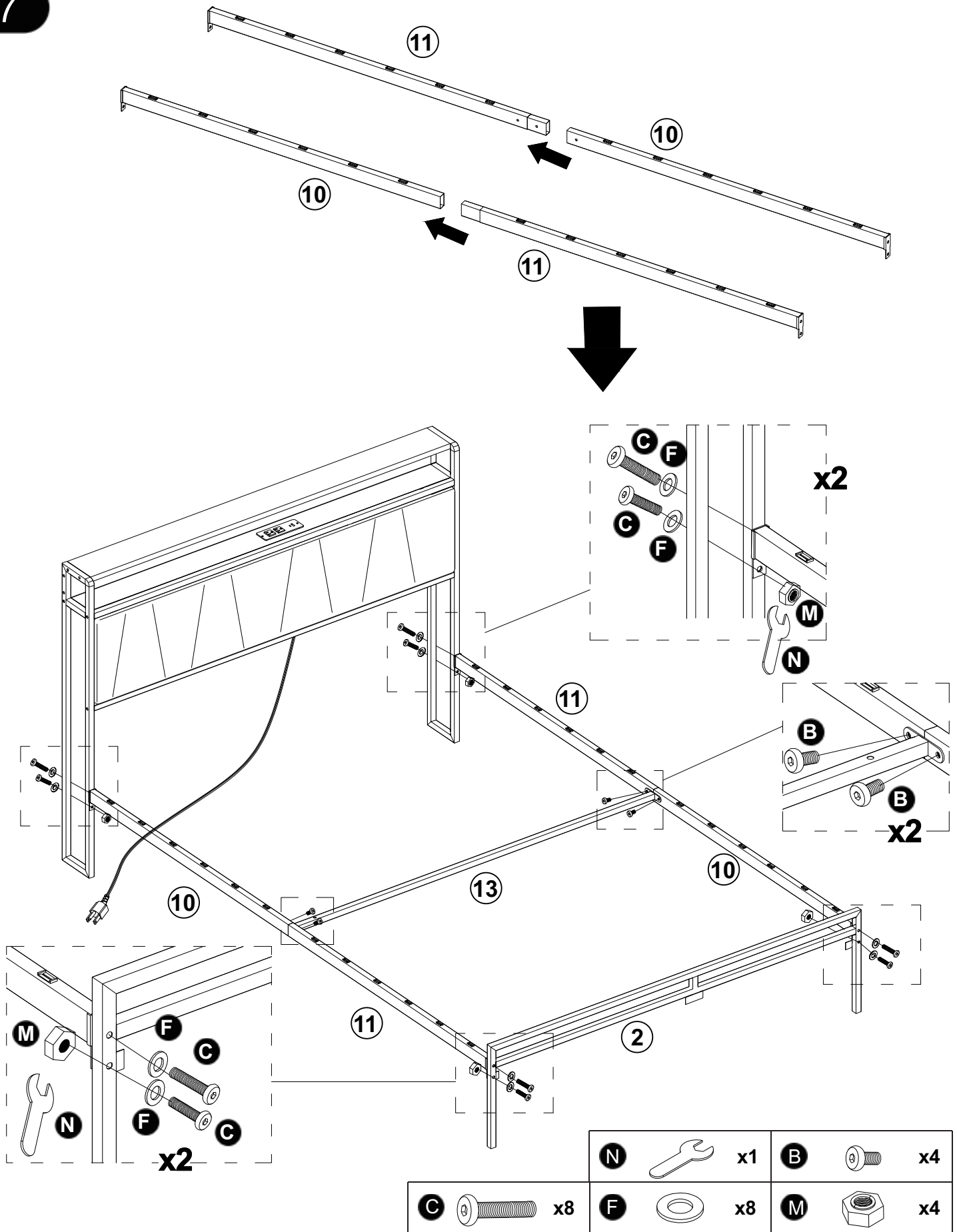




A		x4	D		x4
----------	---	-----------	----------	---	-----------

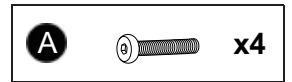
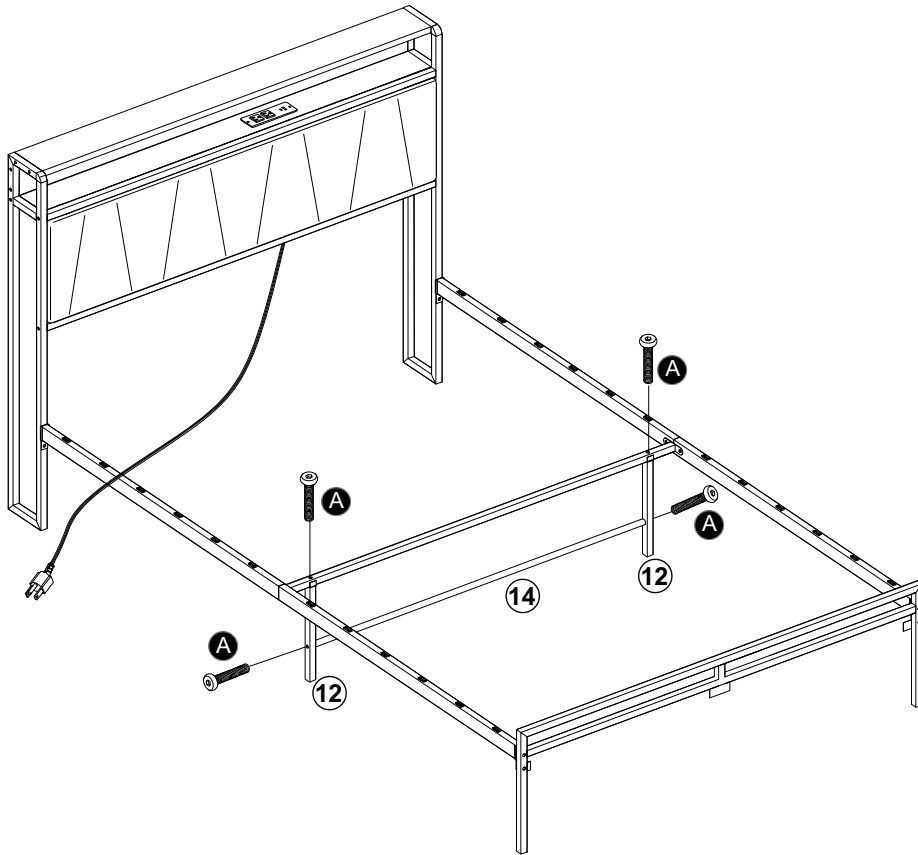
ASSEMBLY INSTRUCTION

7

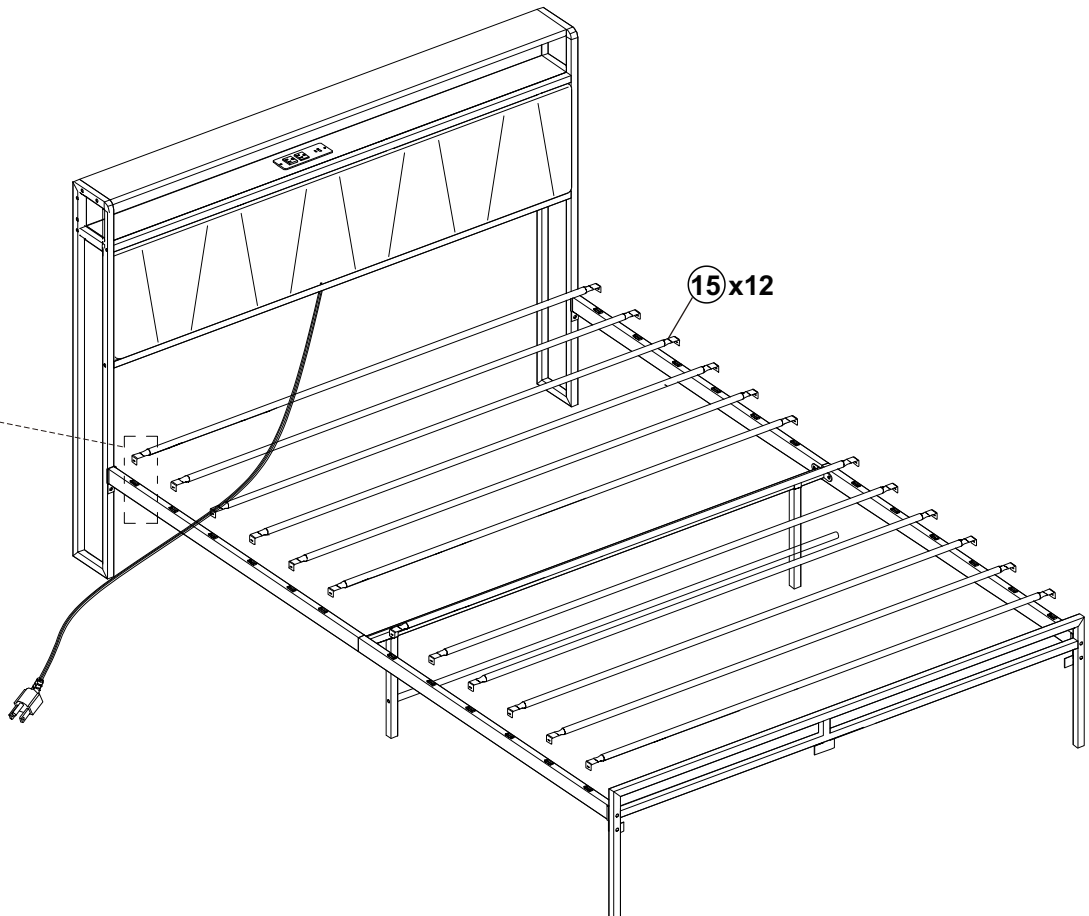
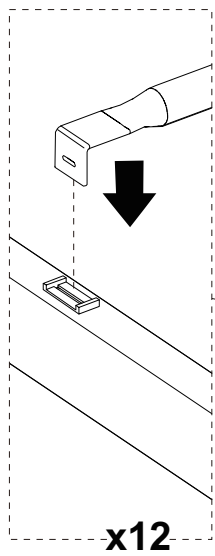


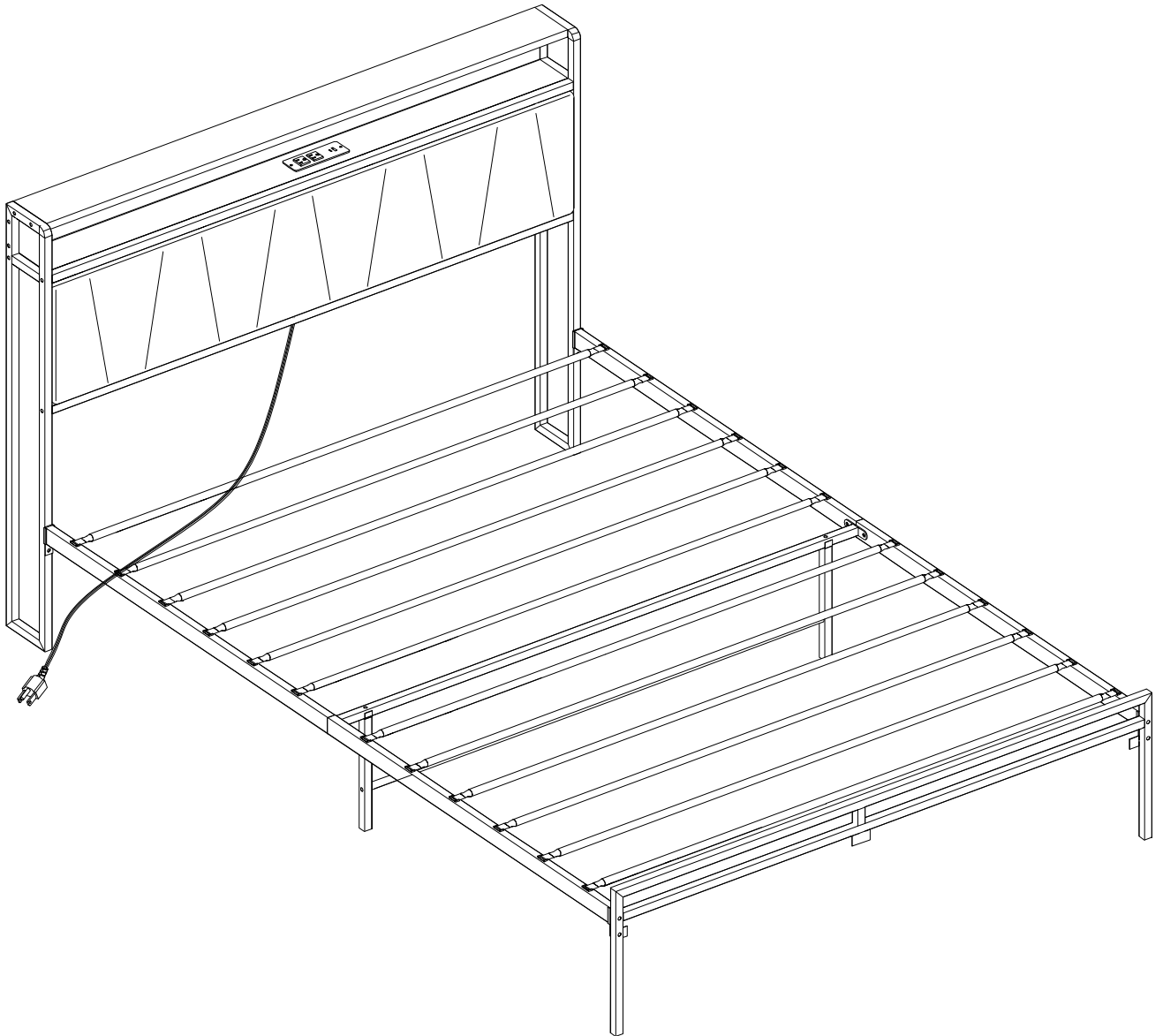
ASSEMBLY INSTRUCTION

8



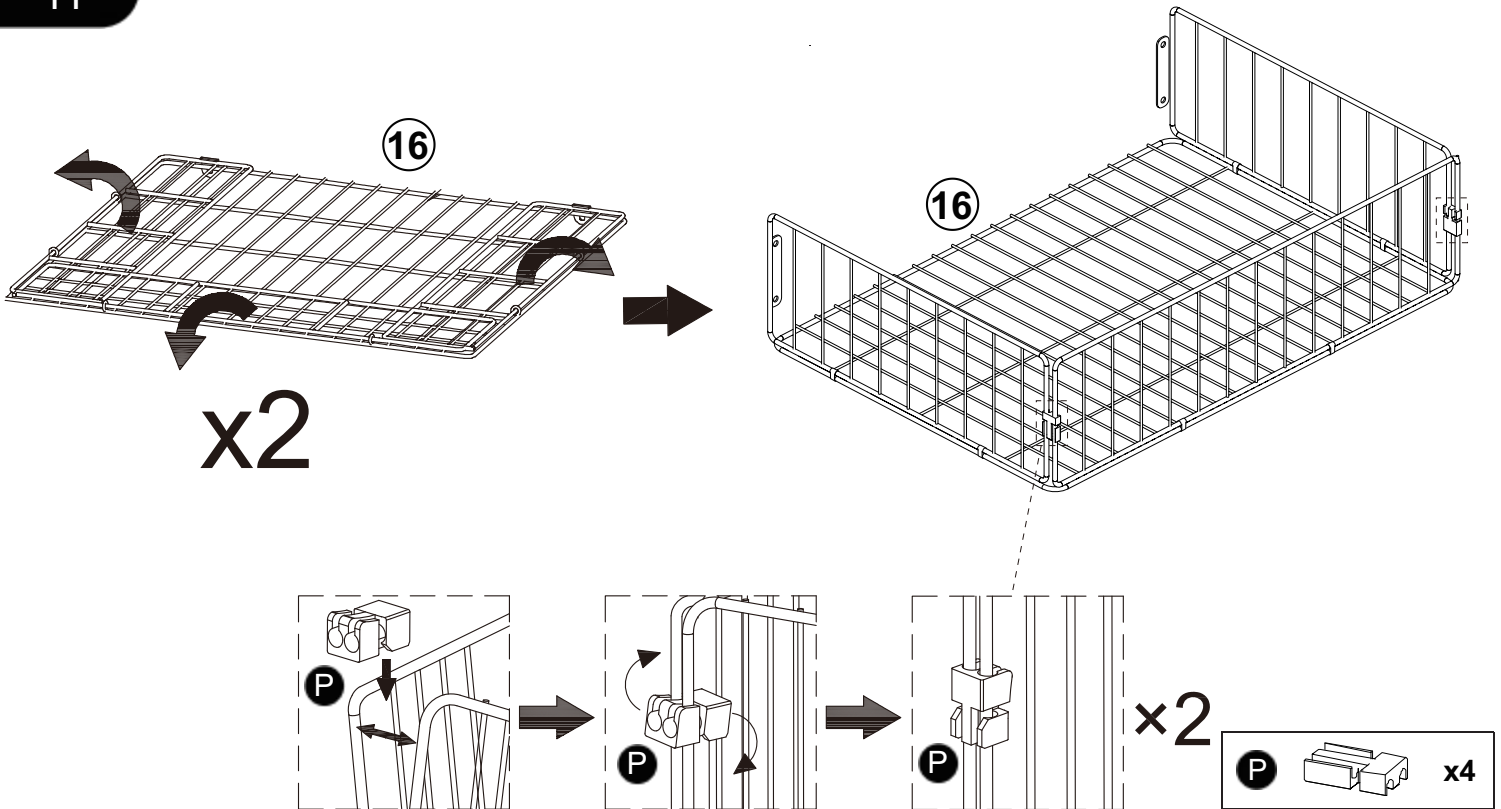
9



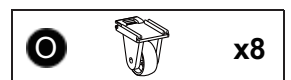
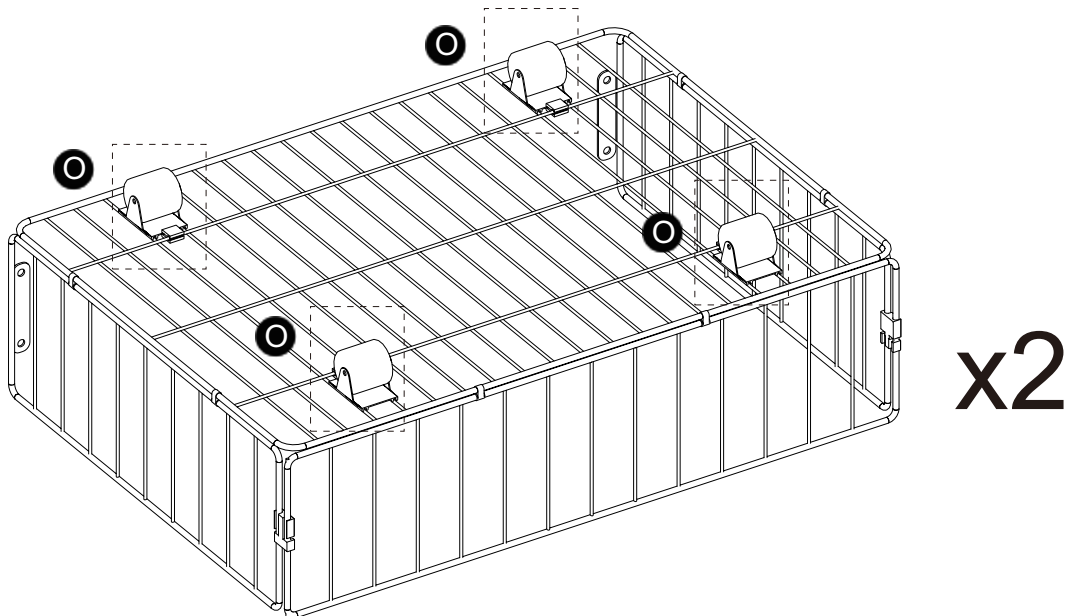


ASSEMBLY INSTRUCTION

11

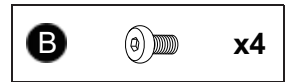
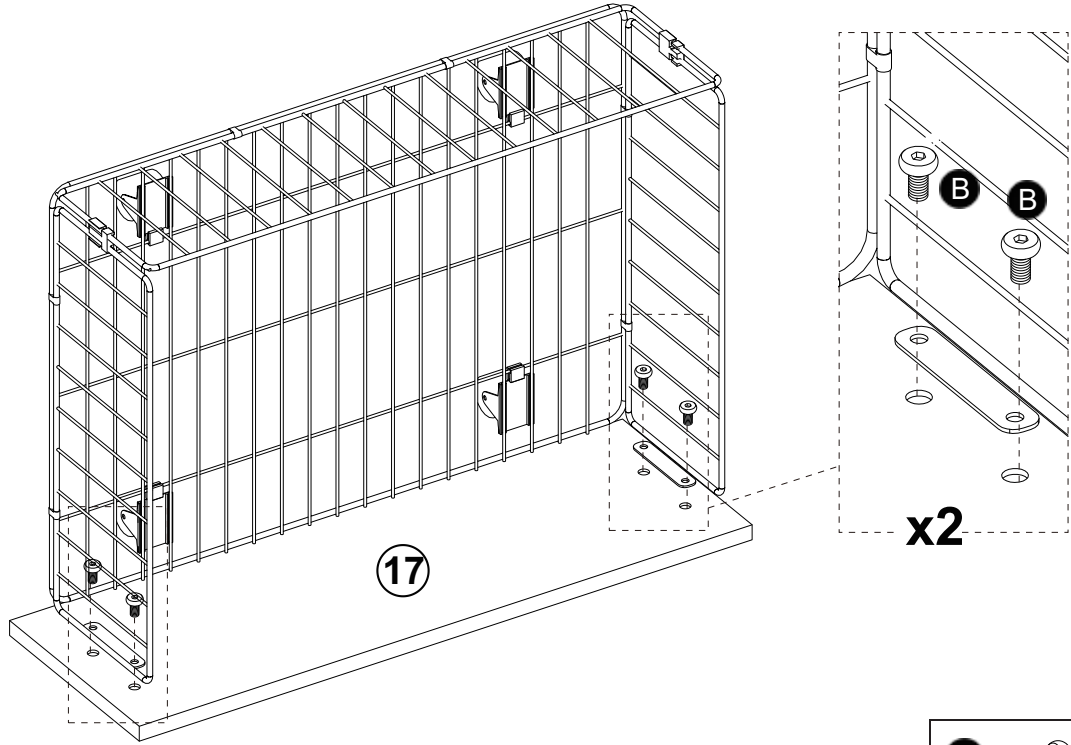


12

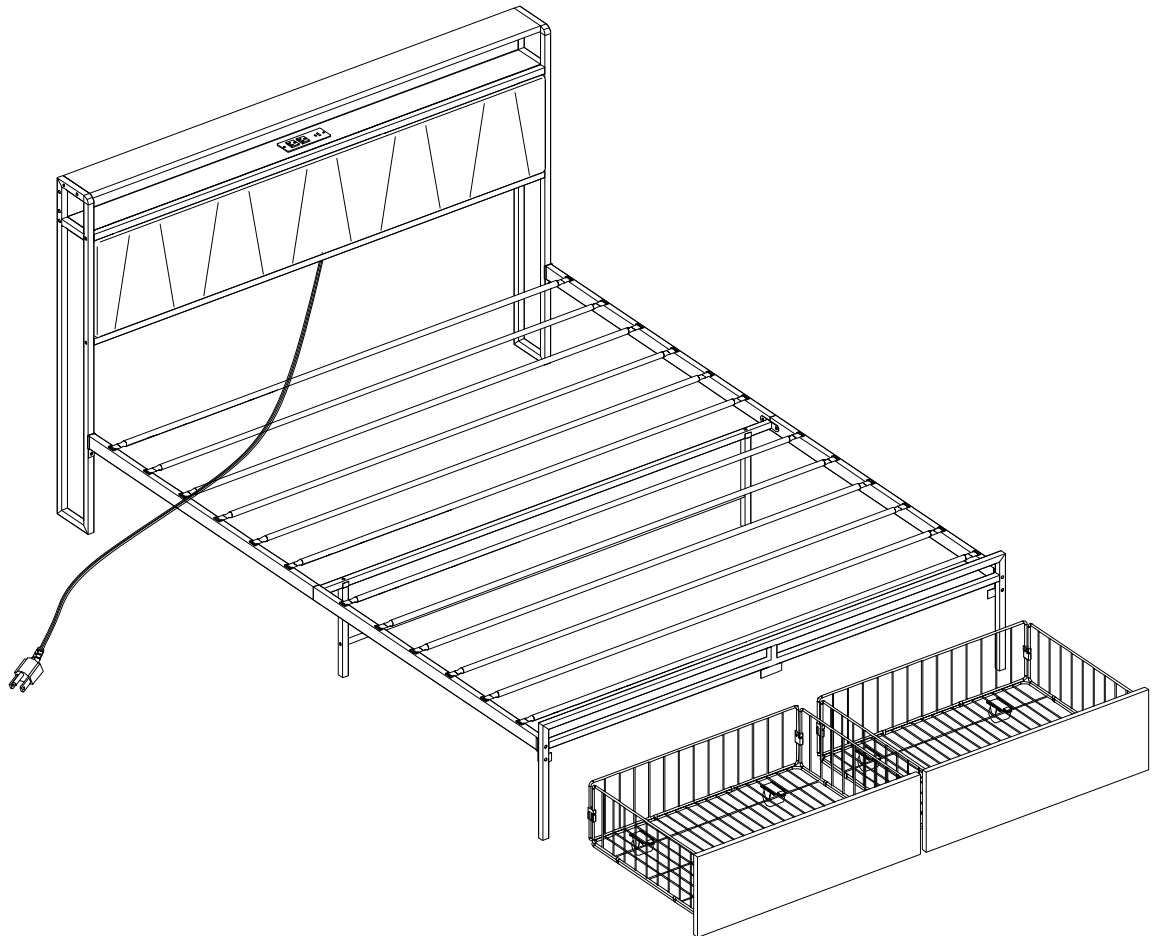


ASSEMBLY INSTRUCTION

13

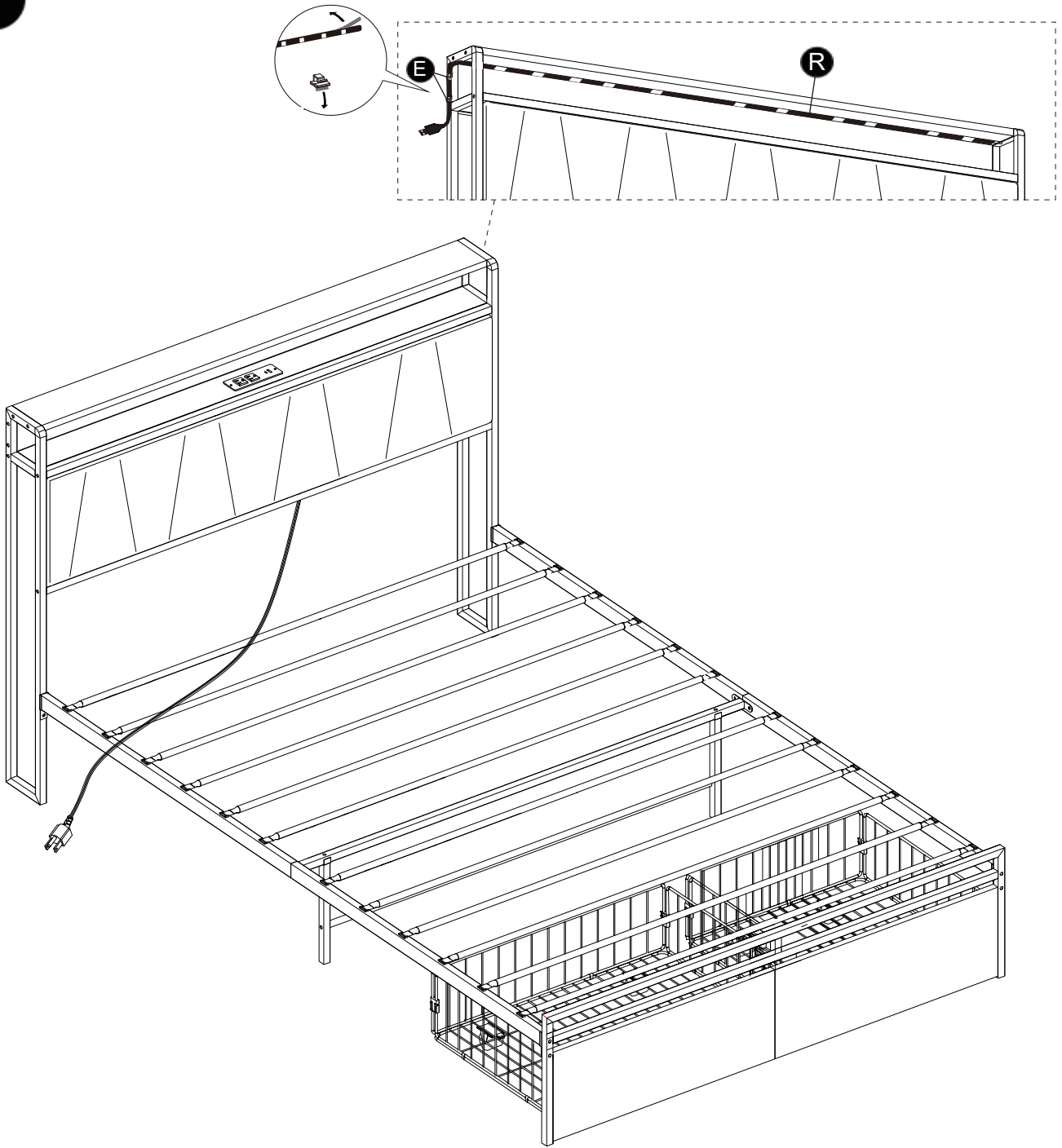




14



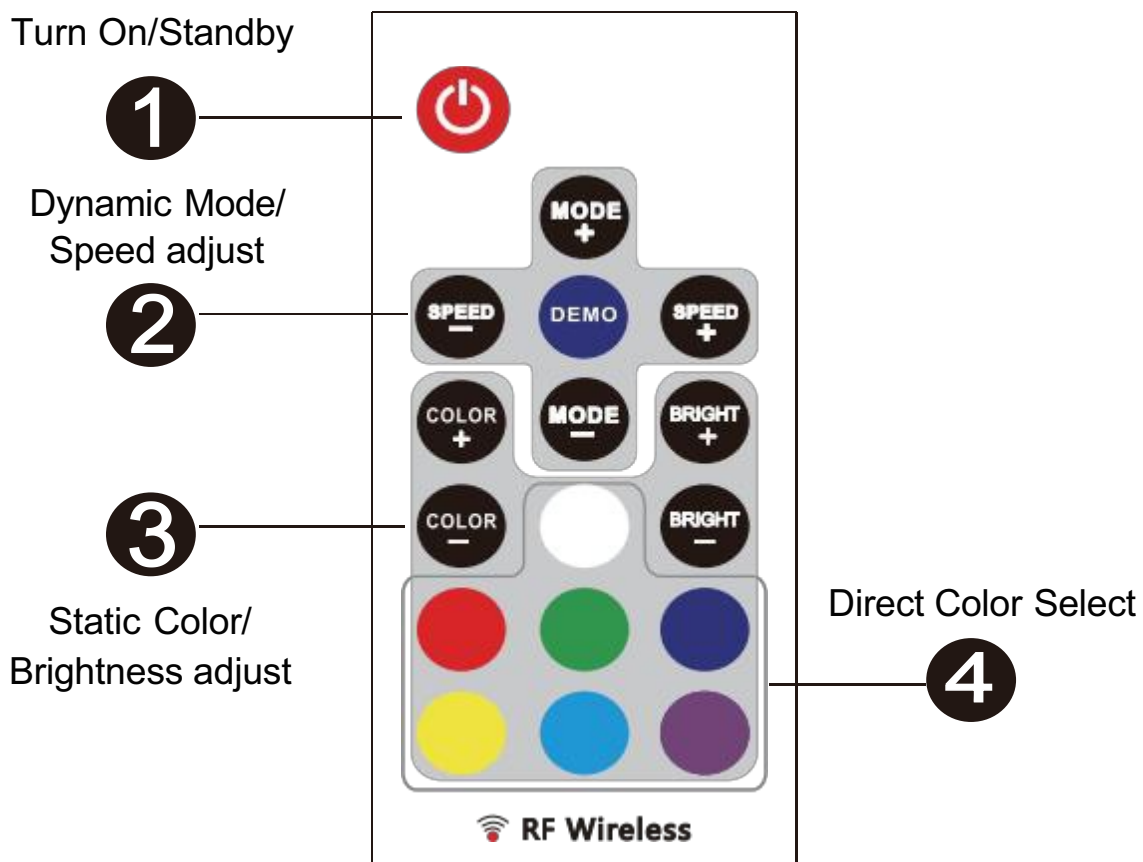
ASSEMBLY INSTRUCTION

15



R	 L1 L2	x1	E		x2
----------	--	-----------	----------	---	-----------

REMOTE CONTROL INSTRUCTION



Specification

Dynamic mode	22 modes
Static Color	20 colors
PWM Grade	256 levels
Brightness Grade	5 levels
Speed Grade	10 levels
Demo mode	Yes
Direct Color Select	Yes
Output Color Switchable	Yes, 6 options
Working Voltage	DC 5~24V
Output Current	3x4A peak, 3x2A constant
Remote frequency	433.92MHz