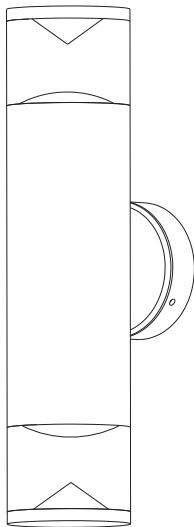


edishinē

## Outdoor Wall Light

SKU: HOWL08E  
[Instruction Manual]



Please pay attention to the warning signs  
Read the instructions with caution before operating  
and keep it properly

## WARNING:

Risk of fire. Min 75°C supply conductors. Consult a qualified electrician to ensure correct installation. Before installation, please turn off the main power of the circuit breaker to prevent possible electric shock.

## Packing List

Part	Description	Quantity
Wall light	10.3"x3.3"x2.3"	2pc
Wire connectors	PA10	6pc
Mounting screw	ST3.9*30mm	4pc
Plastic expansion	6*28mm	4pc
Spanner	2.5*110mm	2pc
Instruction manual	A5 PAPER	1pc

## Installation Instructions

**NOTE: PLEASE INSTALL THIS WALL LANTERN 1.2 METERS 3.94 FEET ABOVE THE GROUND**

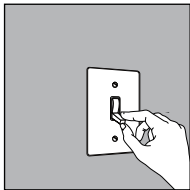


FIG.1 WALL SWITCH

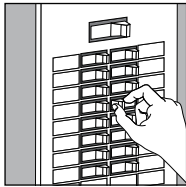


FIG.2 BREAKER PANEL

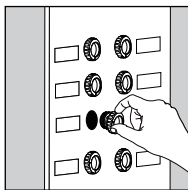


FIG.3 FUSE BOX

## STEP 01: POWER OFF

FIG.1. Turn the wall switch to the "OFF" position.

Depending on which type of fuse box in your home:

FIG.2. Either turn the main (Master) switch to the "OFF" position to cut off the power supply of the entire home, or turn off the individual switch that supplies power to the fixture installation location.

OR

FIG.3. Either turn the main (Master) switch to the "OFF" position to cut off the power supply of the entire home, or unscrew the fuse that supplies or turn off the individual switch that supplies power to the fixture installation location.

## STEP 02: ASSEMBLE THE LAMP

FIG.4. Use a Spanner to loosen the back panel screws,

Twist and unscrew the upper and lower covers.

FIG.5. Assemble the bulbs (not included) as shown in the picture.

FIG.6. Insert (FIG.5) into the lamp holder and rotate it to fix it.

FIG.7. Rotate the lid up and down to fix it.

FIG.8. Draw points on the wall.

FIG.9. Fix the expansion screws into the wall according to the points

FIG.10. Run the wires through the backplate and secure the backplate to the wall with two screws.

FIG.11. Connect black live wire, white neutral wire and ground wire with wire connectors, be sure that the wires are connected sturdily. Screw the lamp body to the back plate

## STEP 03: POWER ON

Turn on the main (Master) switch to get the power back, the light will turn on automatically.

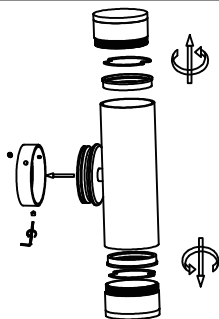


FIG.4 Open the back panel and upper and lower covers

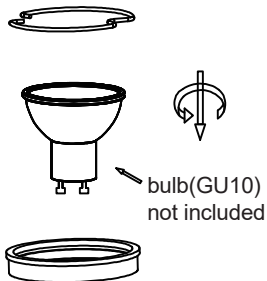


FIG.5 Assemble the bulbs (not included) like this.

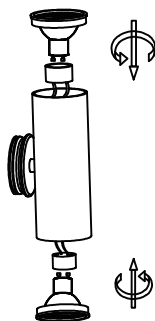


FIG.6 Install the bulb into the lamp

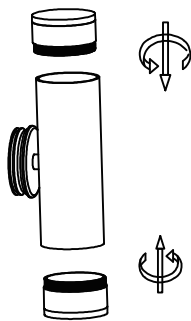
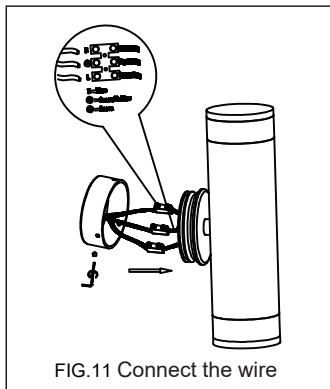
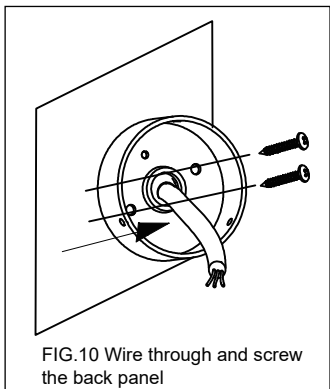
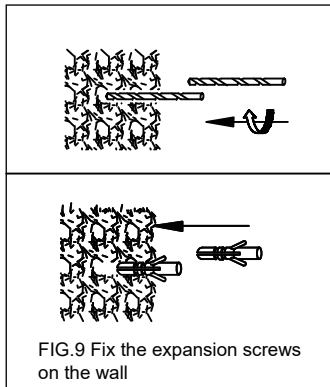
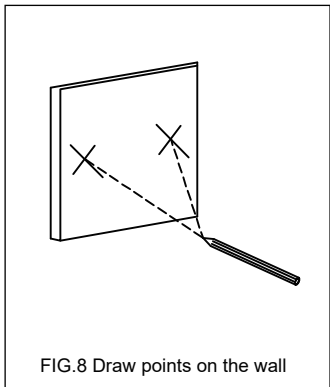


FIG.7 Twist the cap up and down



## **Specifications:**

- Input Voltage: 120VAC 60HZ
- Max Load Power for Bulb : Incandescent Bulb 10W
- Socket Type: Standard GU10 ( bulb not included)
- Material: Aluminum and Acrylic
- IP Rating: IP65

## **One Year Limited Warranty**

Supported by our professional R&D team and QC team, we provide One Year Warranty for materials and workmanship from the purchase date. Please note that the warranty does not cover damage caused by personal misuse or improper installation.

Please attach your Order ID and Name so that our dedicated customer service team can help you better.