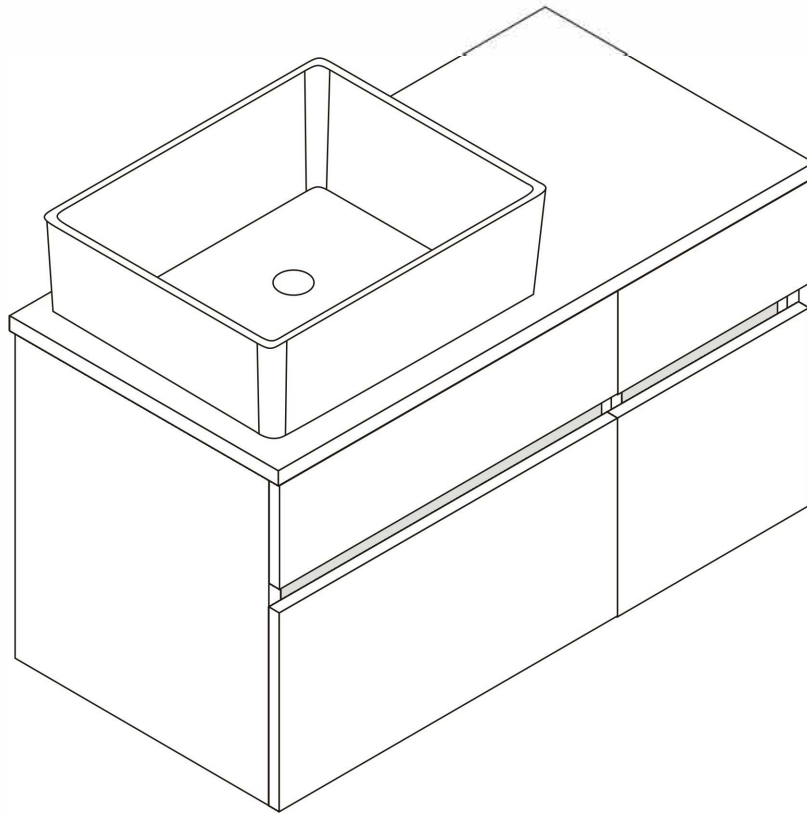


Installation Instructions

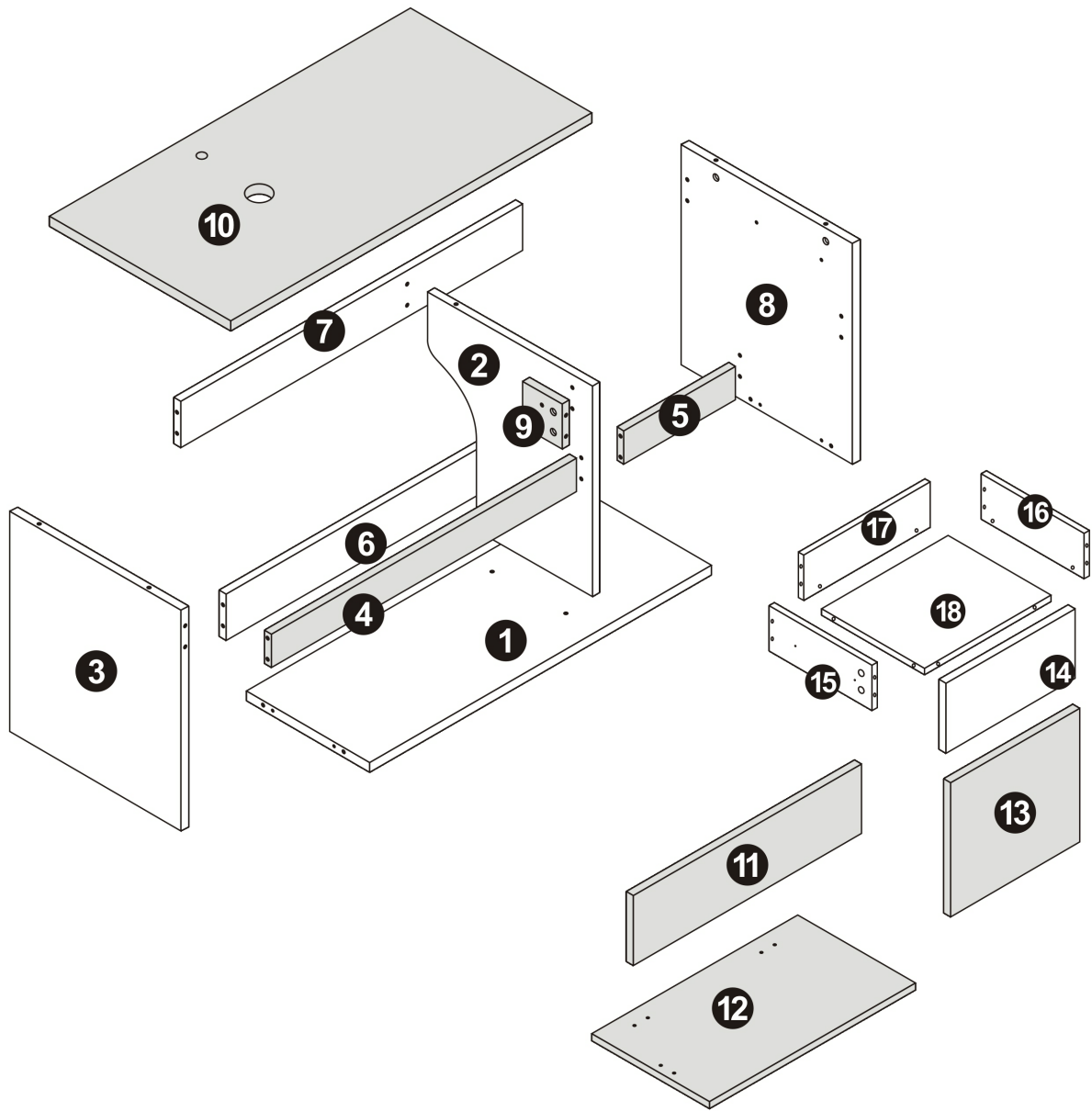
Bathroom cabinet



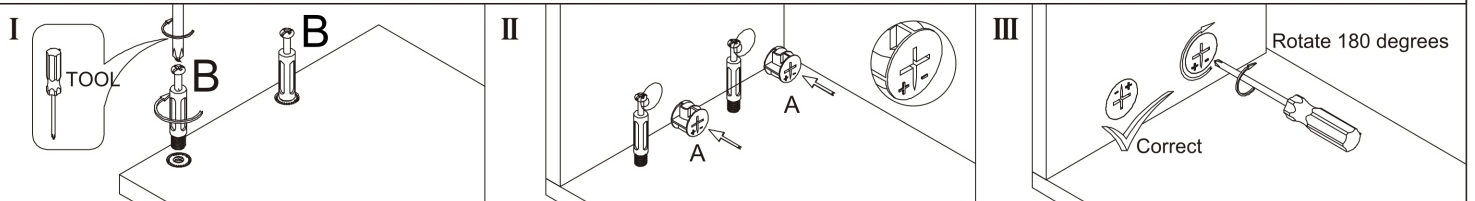
2 Persons













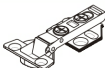
L798*W398*H400MM

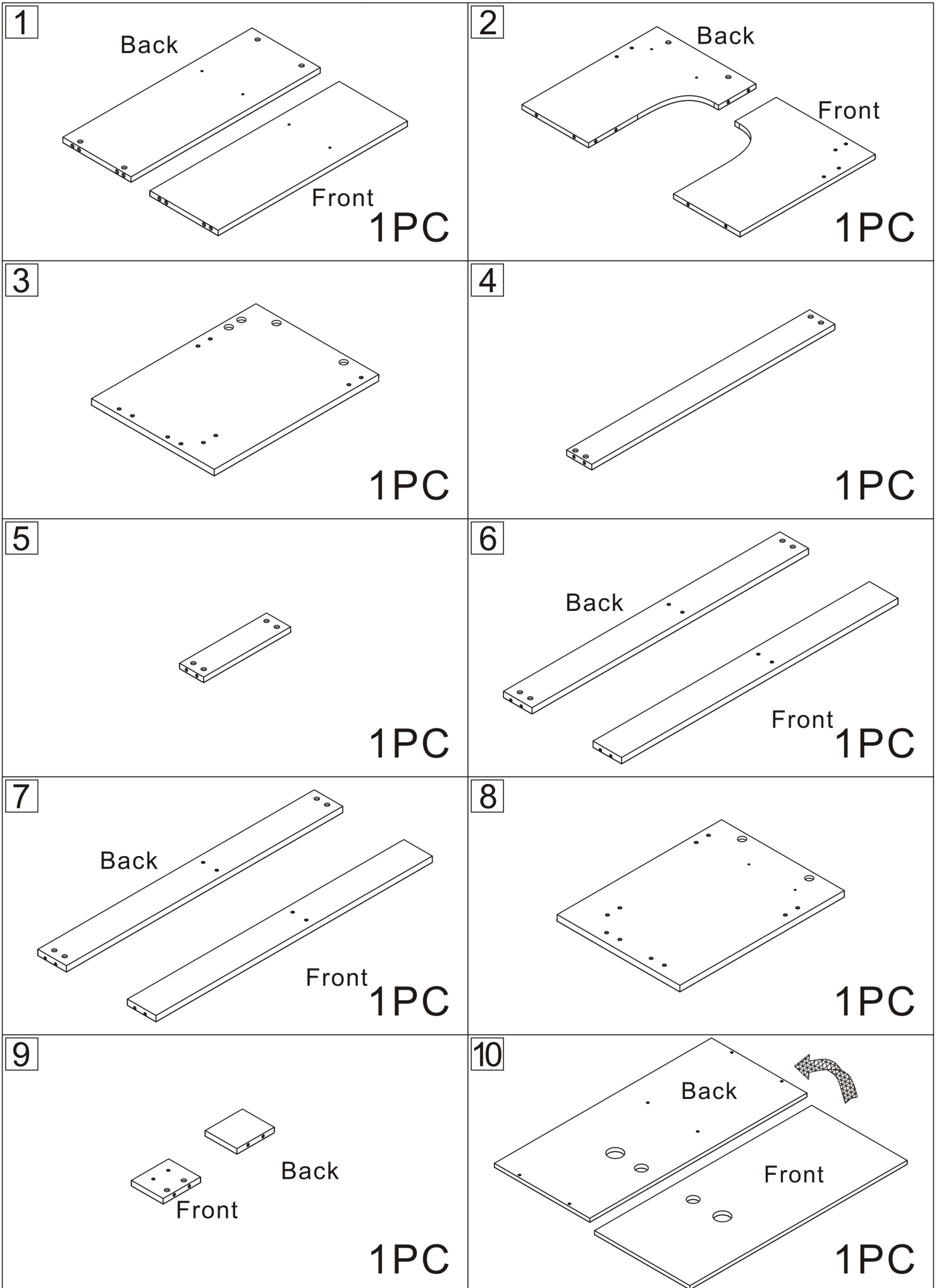
Notes: Don't tighten screws completely at first, just in case parts were assembled wrongly and need disassemble. Tighten screws at last when all parts are put together.

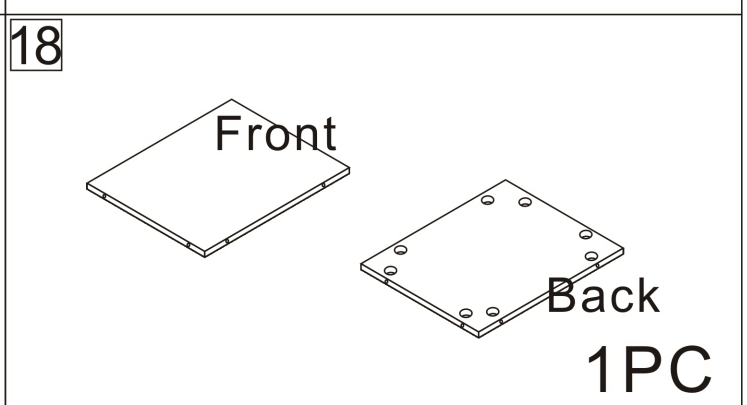
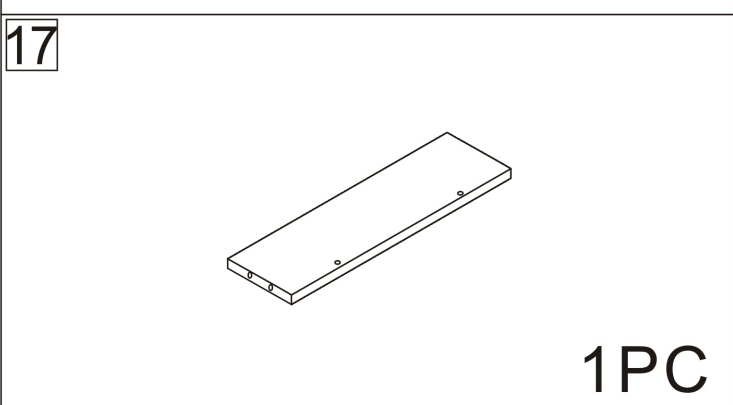
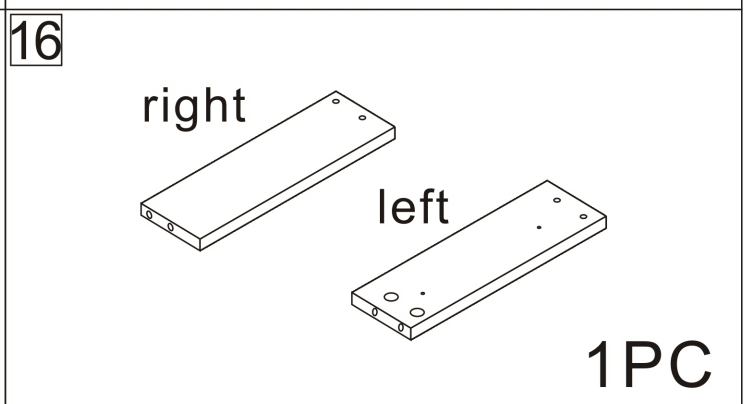
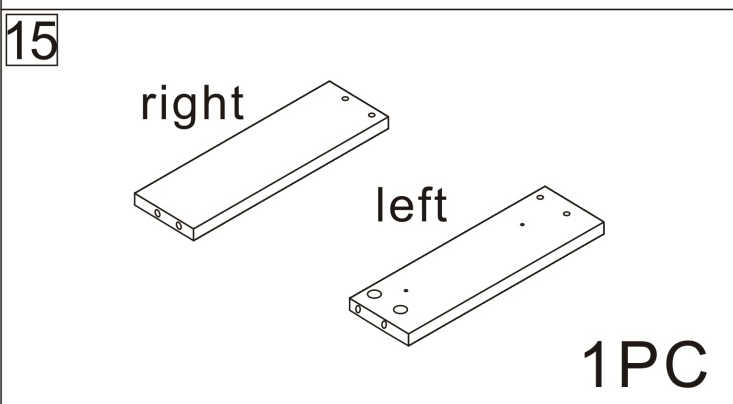
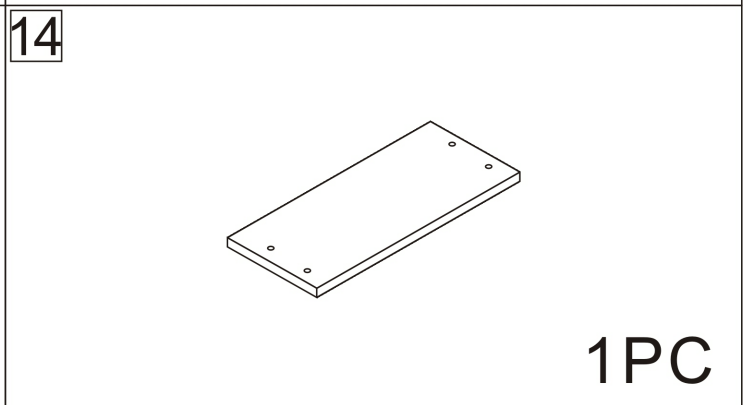
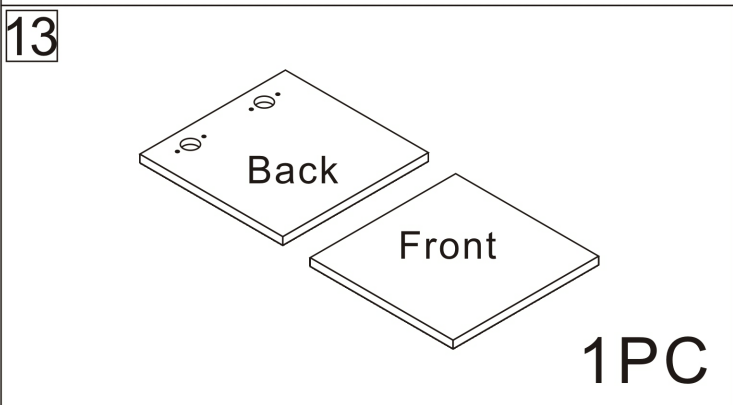
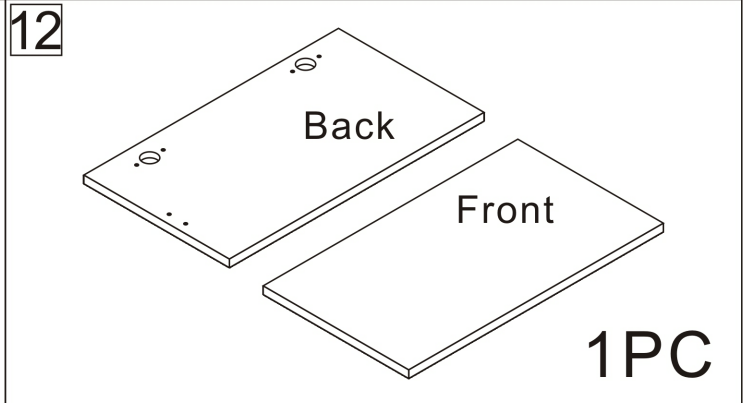
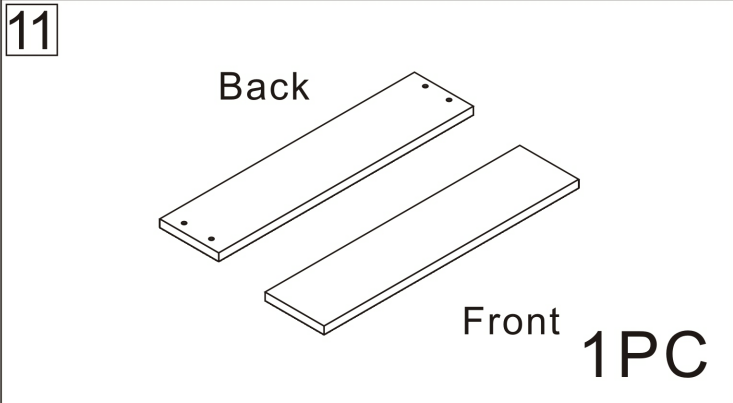


Disassembly and installation of accessories

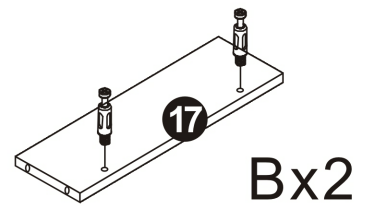
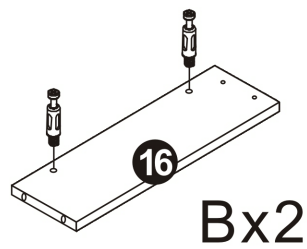
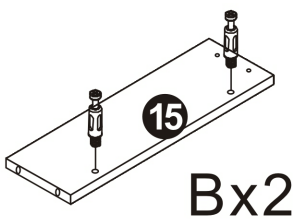
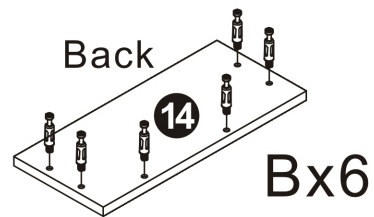
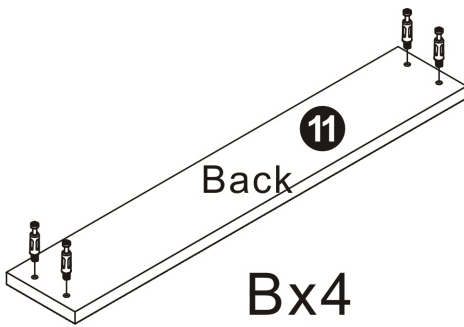
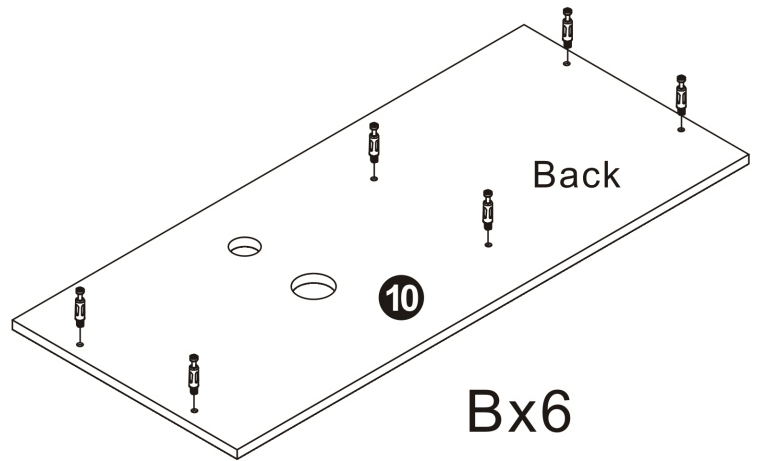
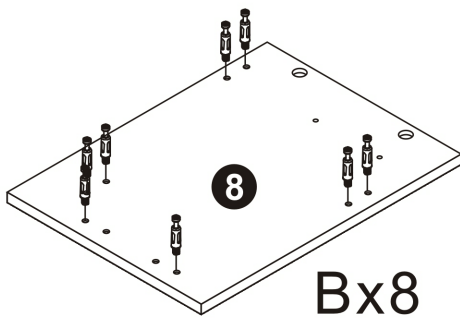
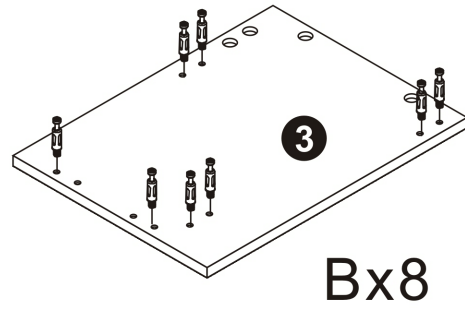
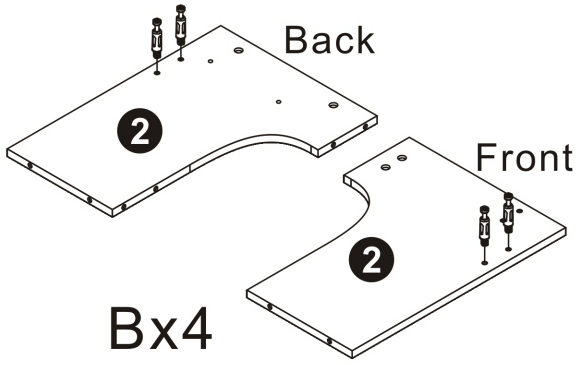



A 42PCS  15*10mm	B 42PCS  6*28mm	C 64PCS  3.5*14mm	D 6PCS  3.5*35mm	E 2PCS  6*25mm	F 4PCS  8*30mm	G 4PCS  7*38	H 1PCS  Pneumatic rod
I 2PCS  Three-section Rail	J 4PCS  Expansion screw	L 2PCS  Corner code	M 2PCS  Pendant	N 4PCS  Hinge			





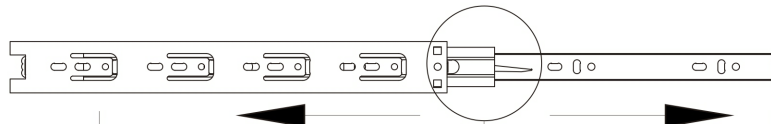
1



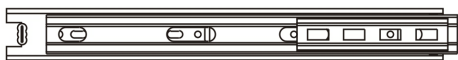
B	42PCS
	
6*28mm	

2

Ix1



I1



I2



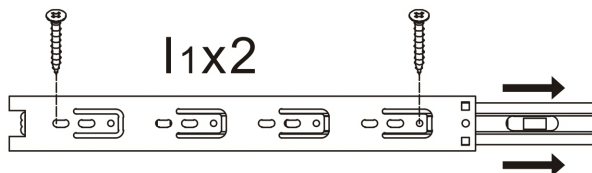
I1 2PCS



Three-section Rail

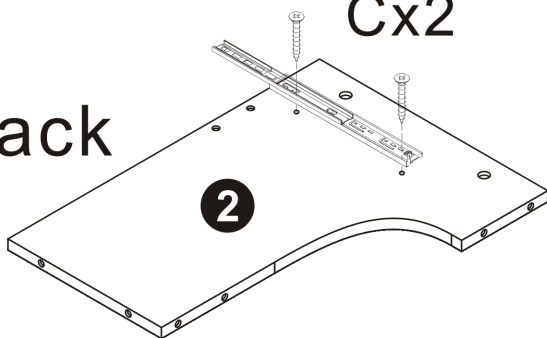
3

I1x2

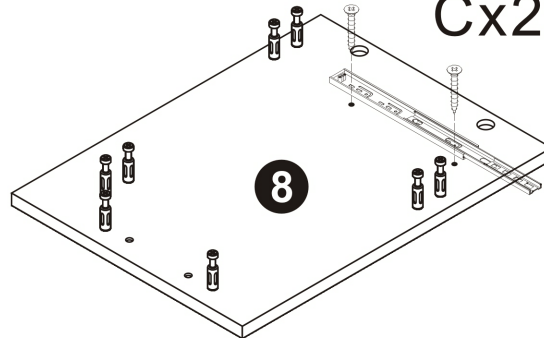


Back

Cx2



Cx2



C 4PCS



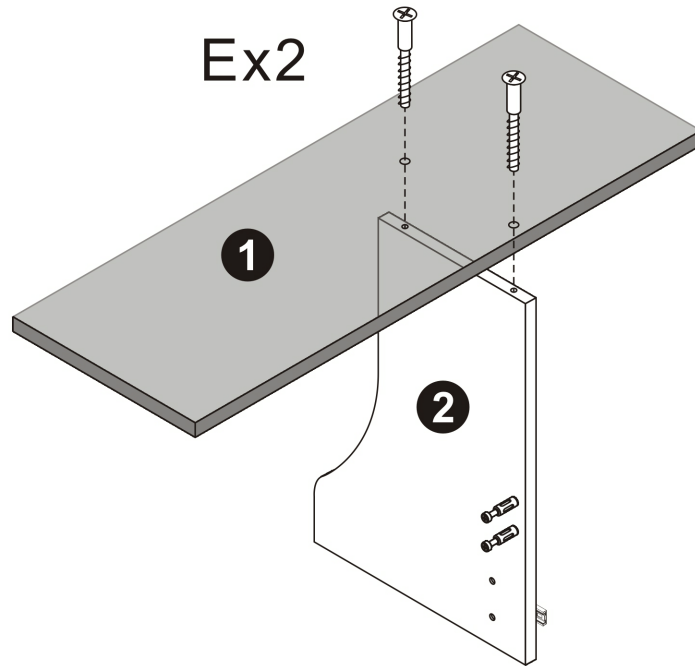
3.5*14mm


I1 2PCS



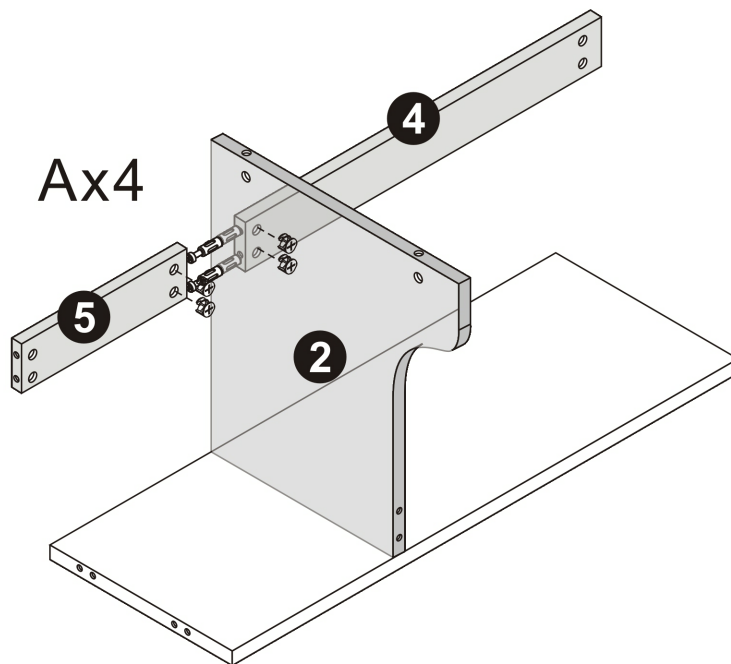
12 inch Three-section Rail


4



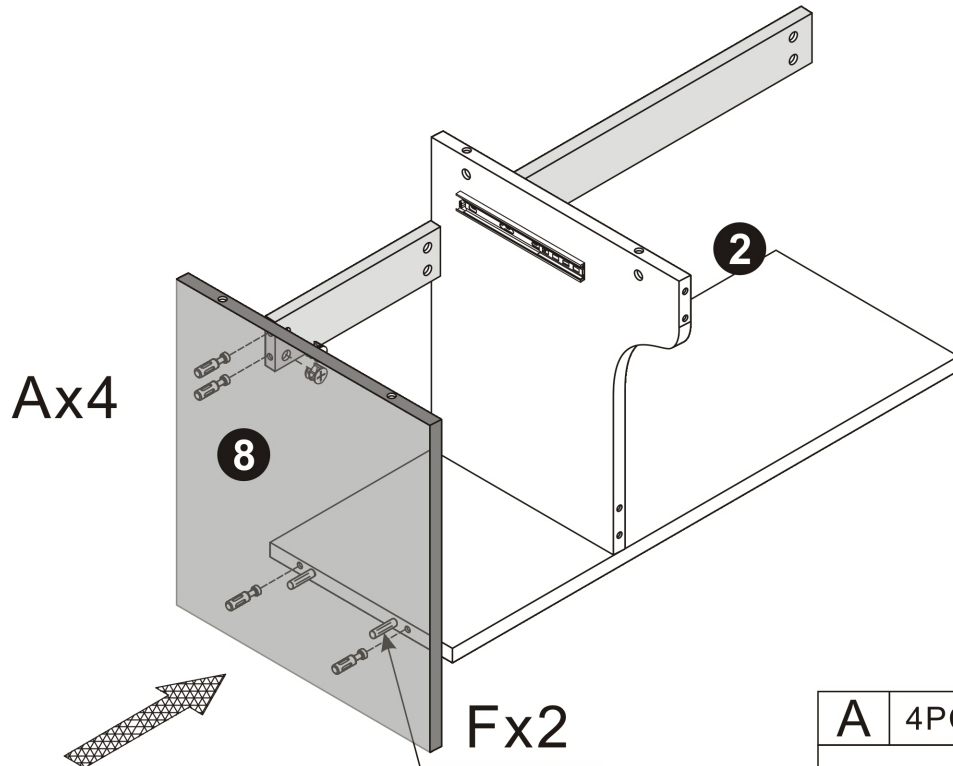
G	2PCS
	
7*38mm	



5



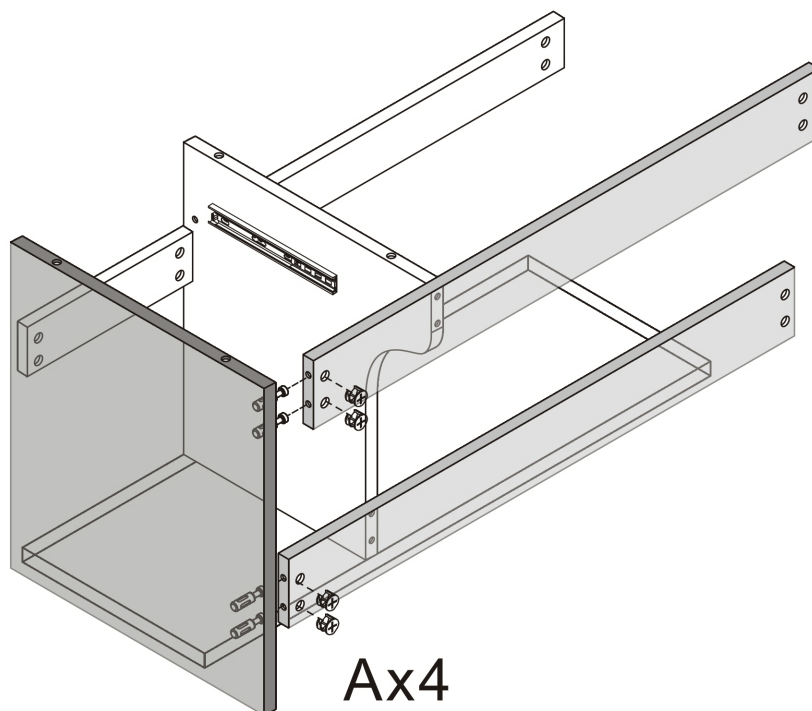
A	4PCS
	
15*10mm	


6



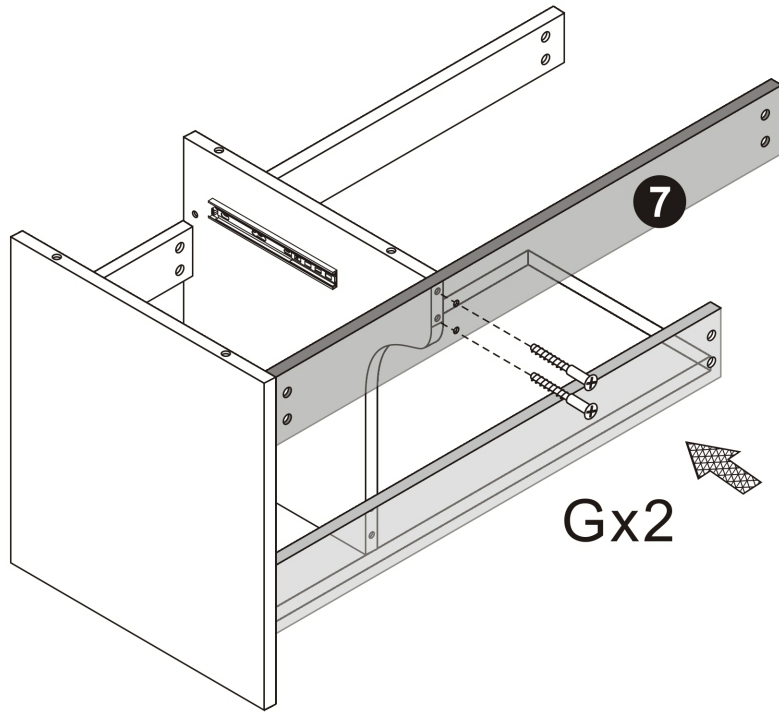
A	4PCS	F	2PCS
			
15*10mm		8*30mm	


7



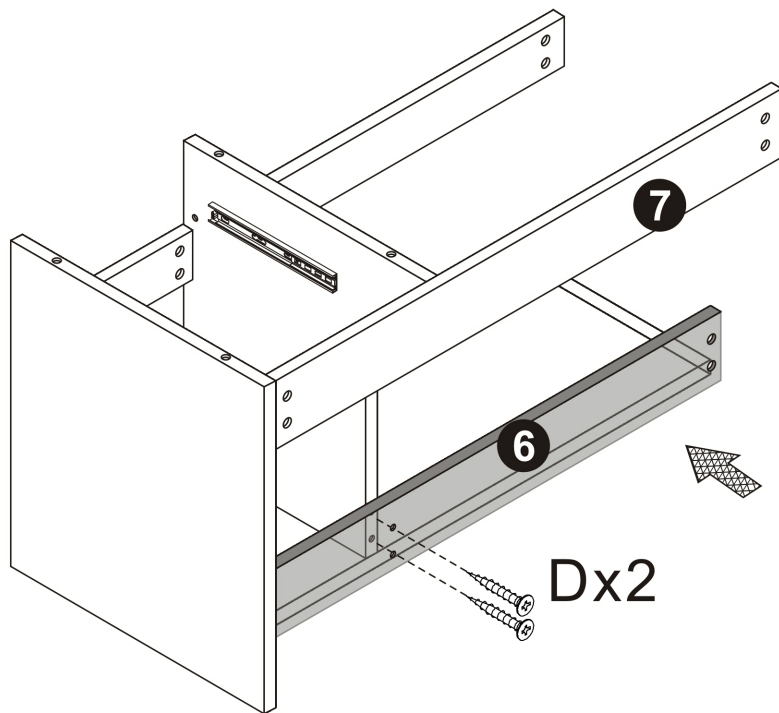
A	4PCS
	
15*10mm	


8



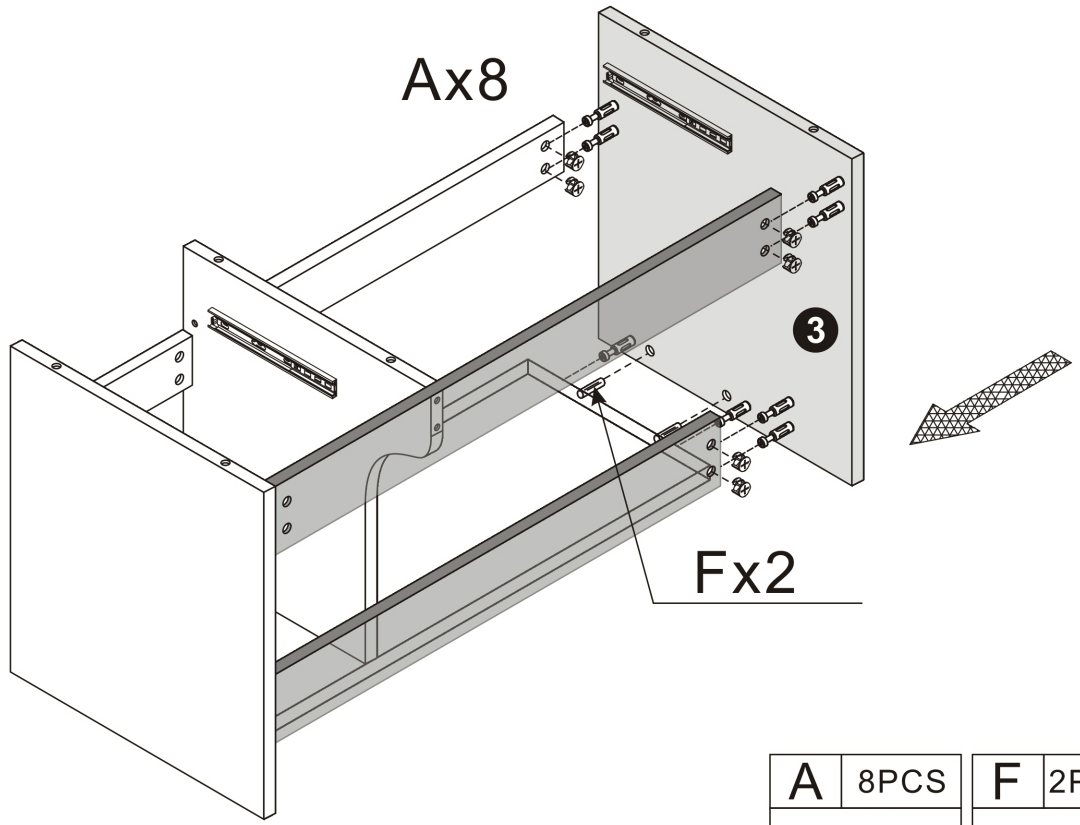
G	2PCS
	
7*38mm	



9



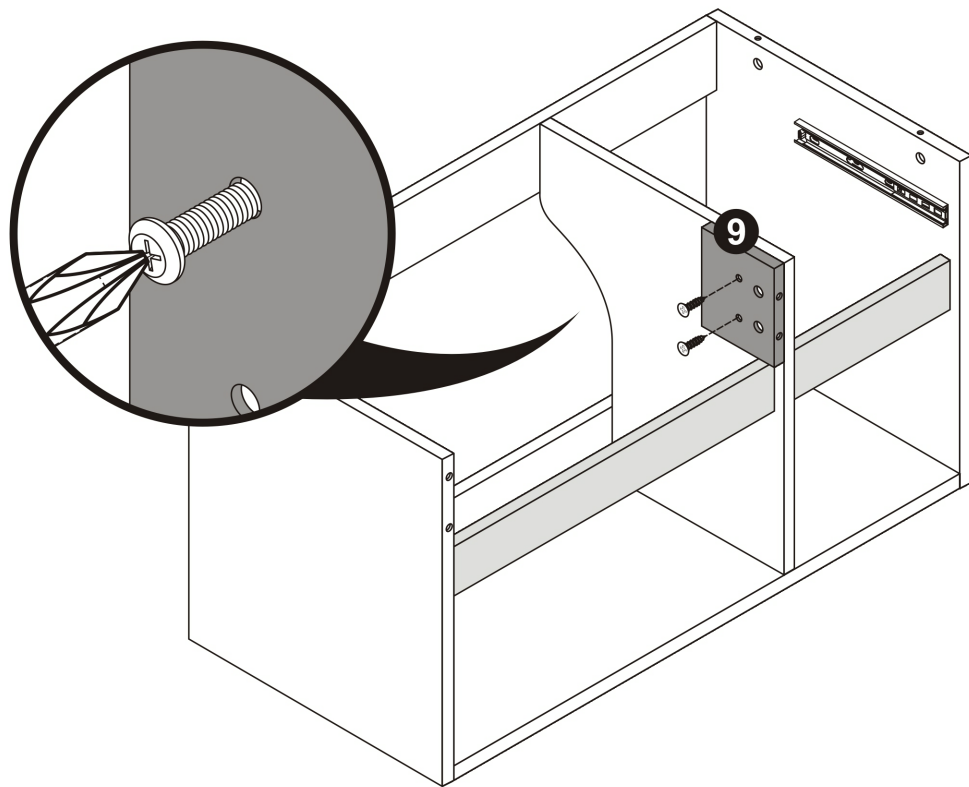
D	2PCS
	
3.5*30mm	


10



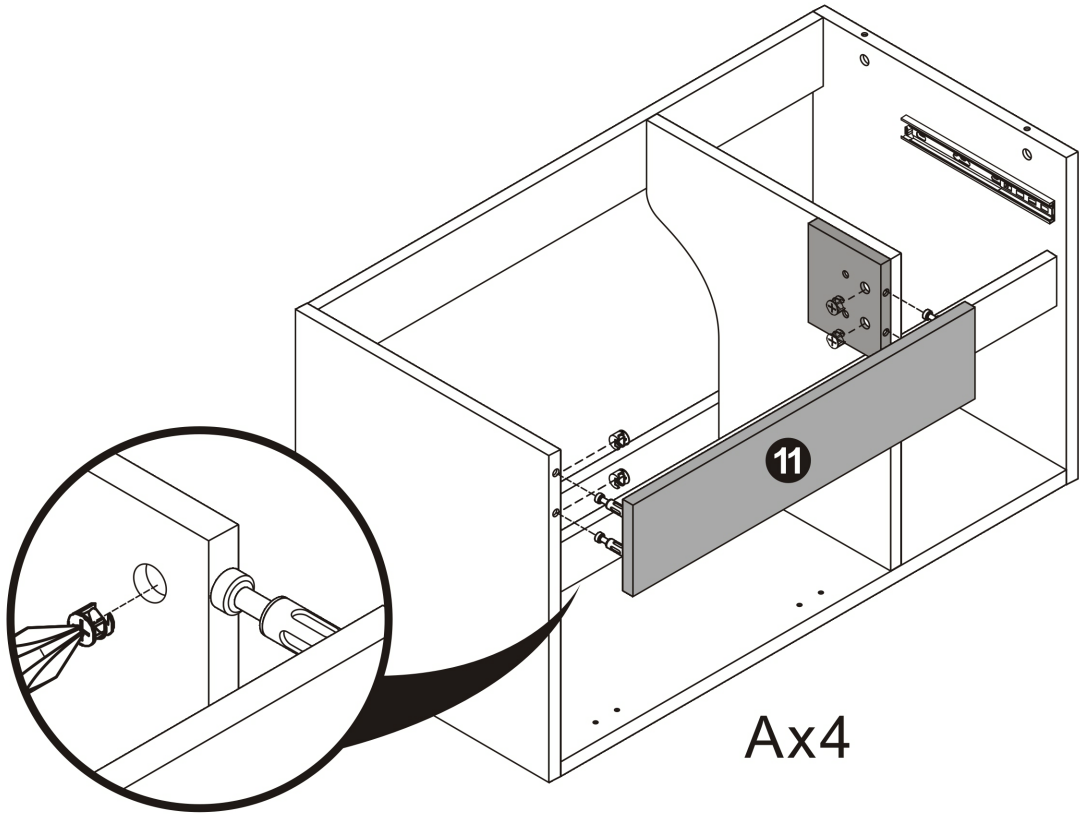
A	8PCS	F	2PCS
			
15*10mm		8*30mm	

11




E	2PCS
	
6*25mm	

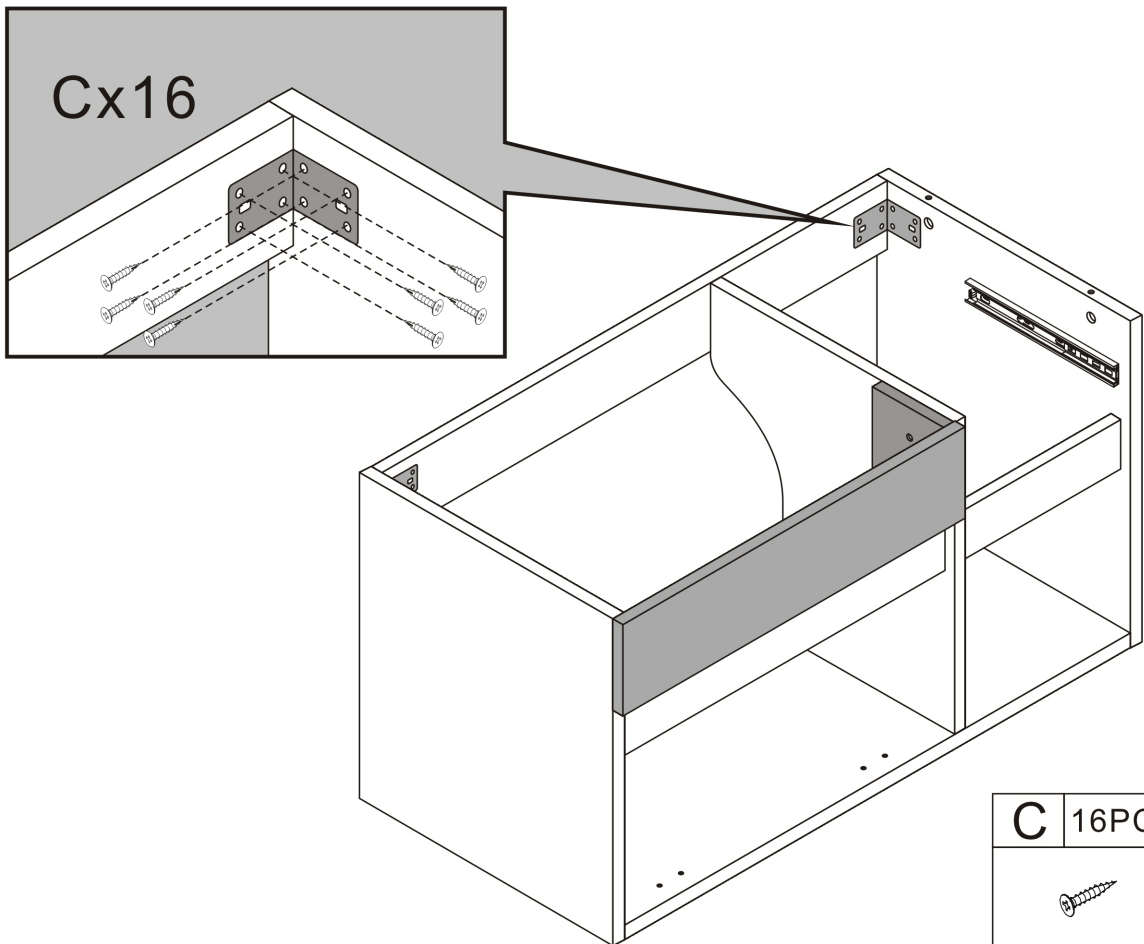
12




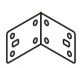
Ax4

A	4PCS
	
15*10mm	

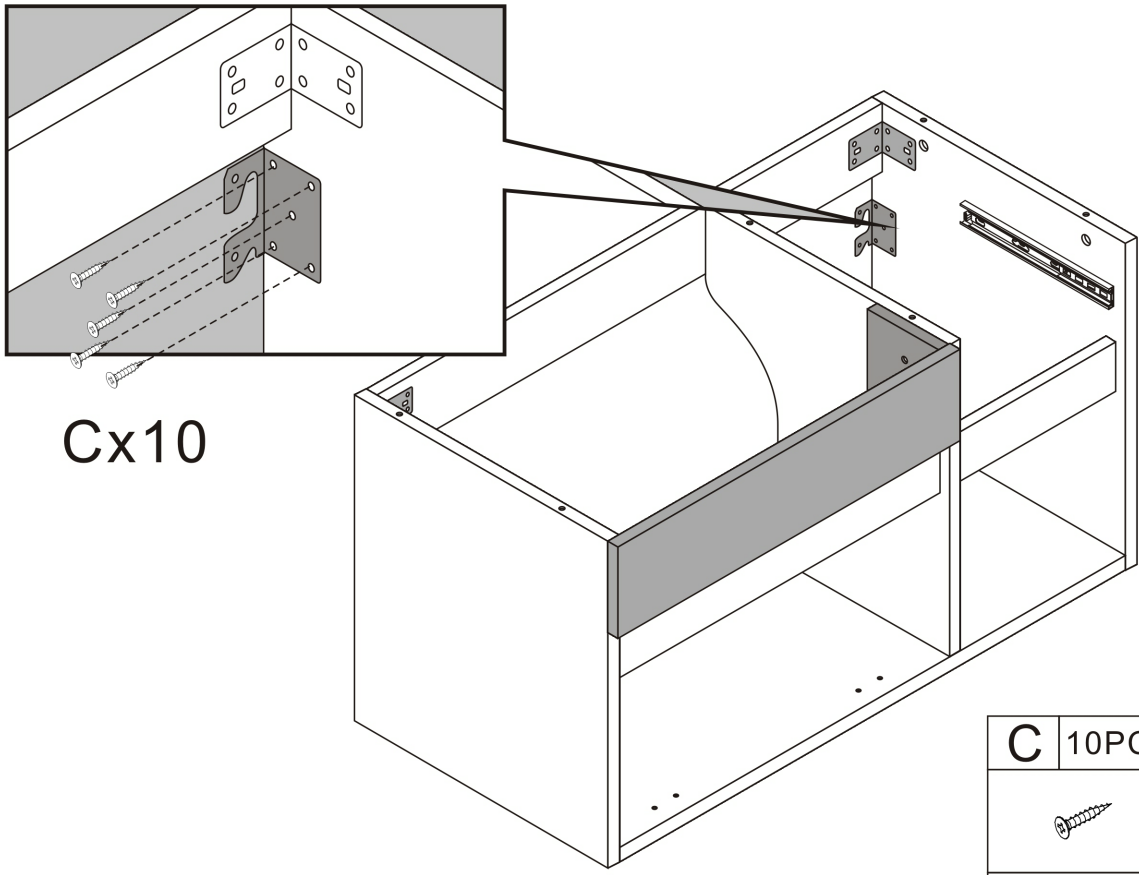
13





Cx16

C	16PCS	L	2PCS
			
3.5*14mm		Corner code	

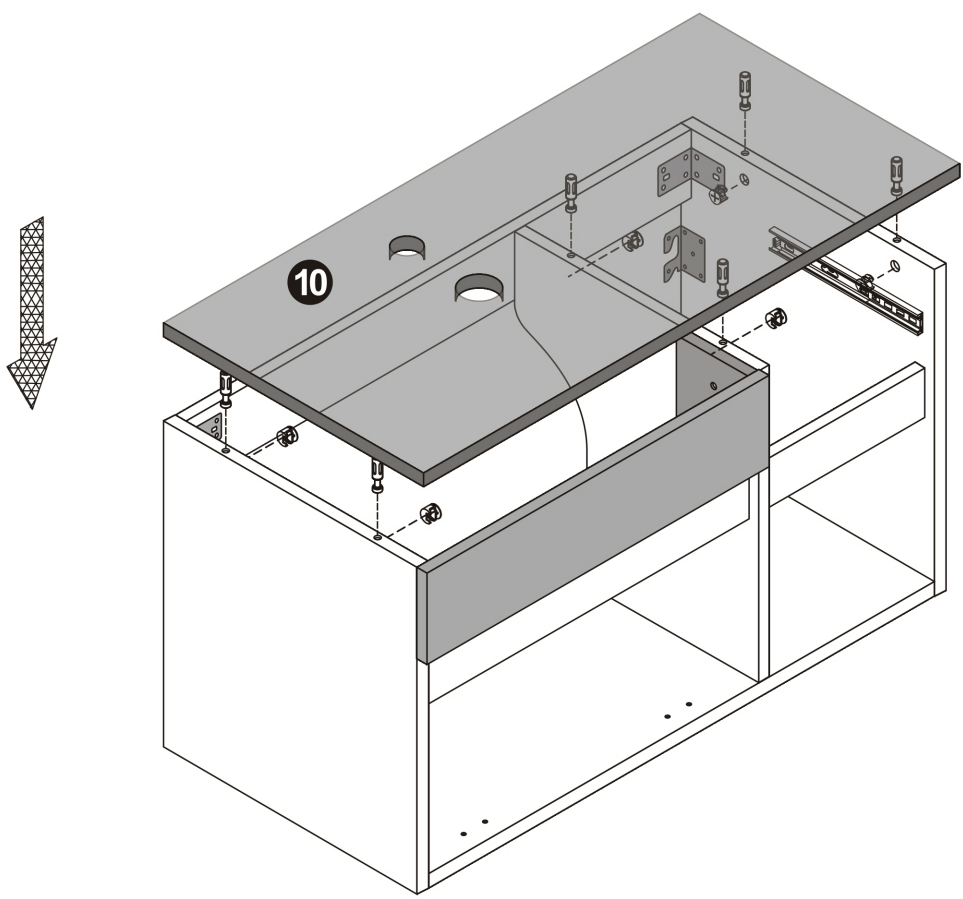
14




Cx10

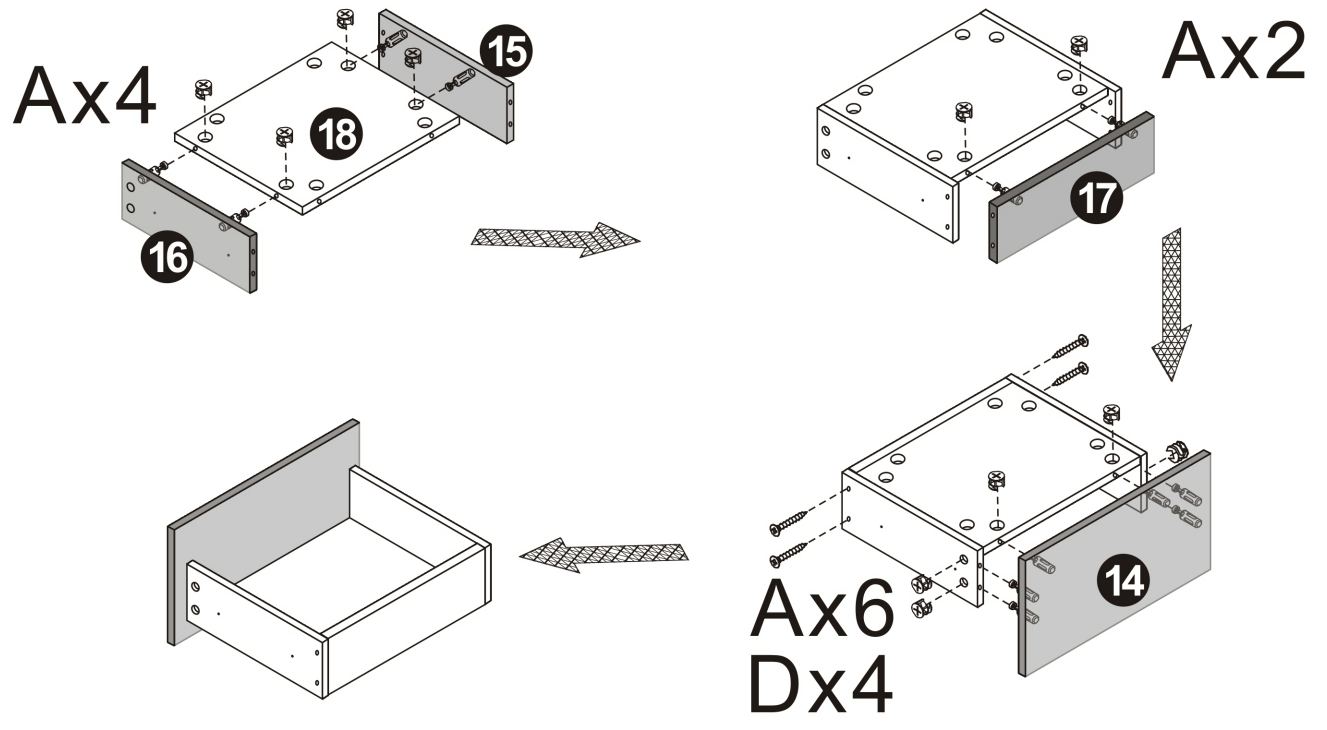
C	10PCS	M	2PCS
			
3.5*14mm		Pendant	

15



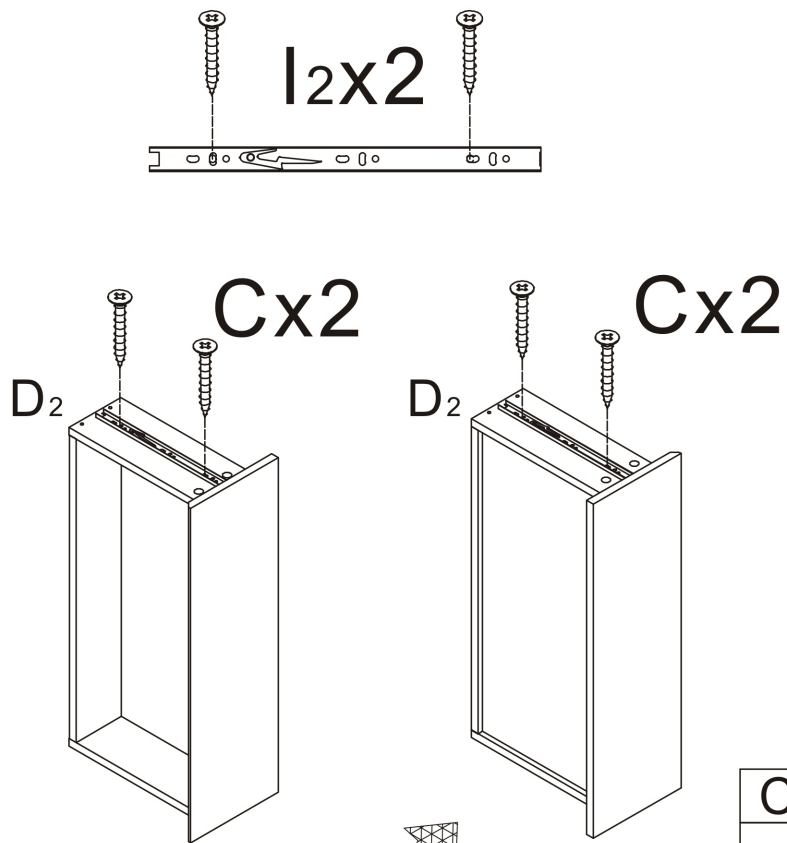
A	6PCS
	
15*10mm	

16

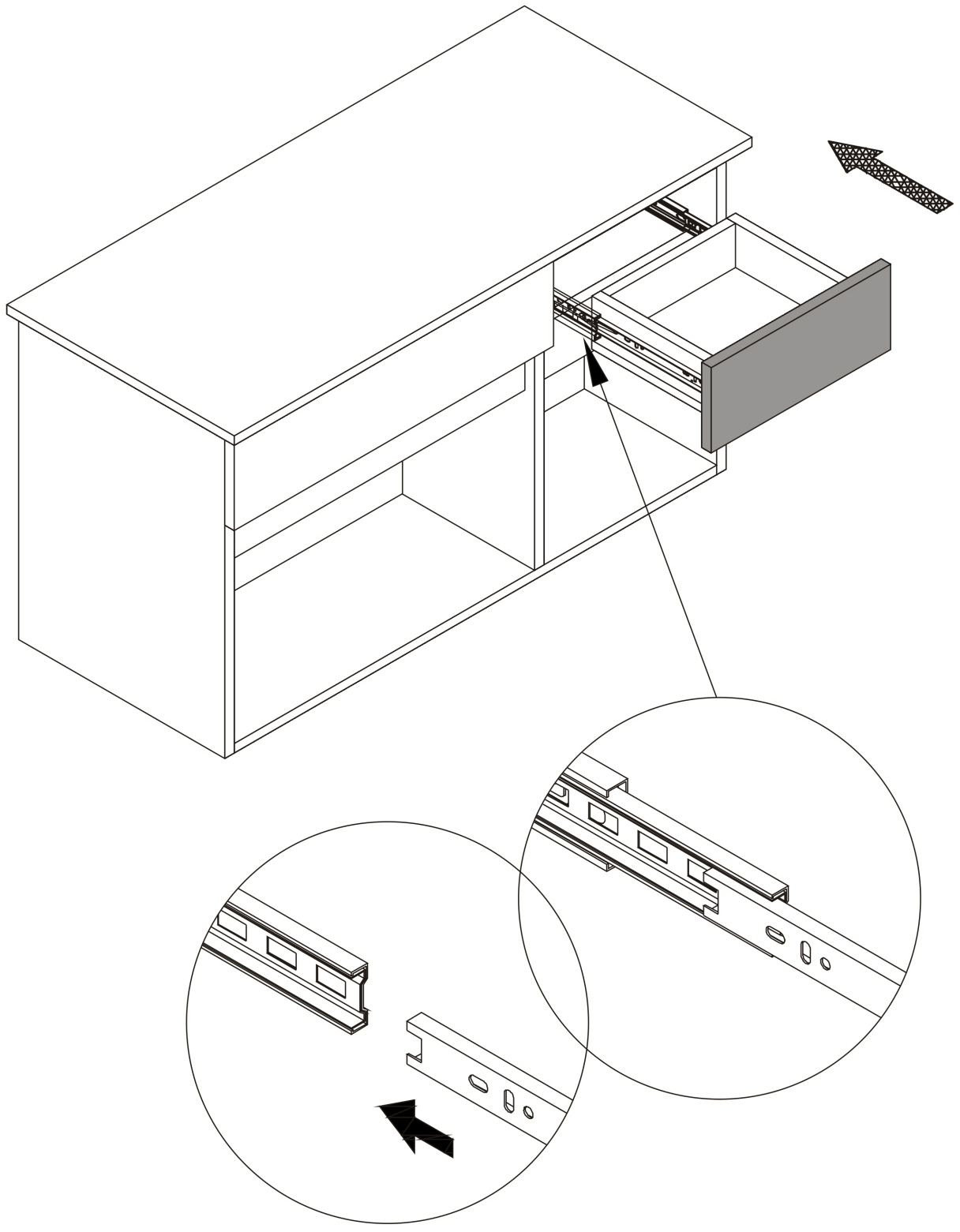


A	12PCS	D	4PCS
15*10mm		3.5*30mm	

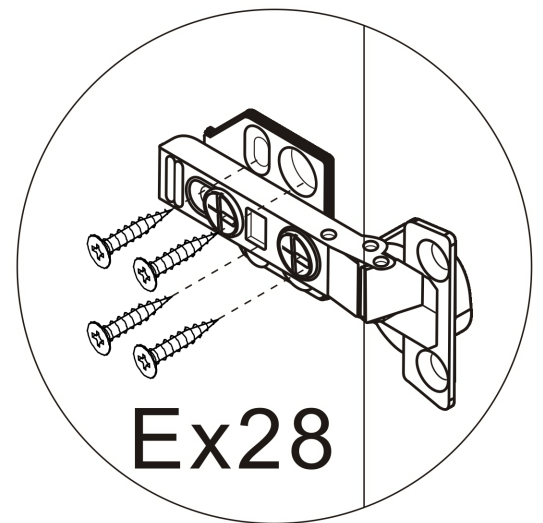
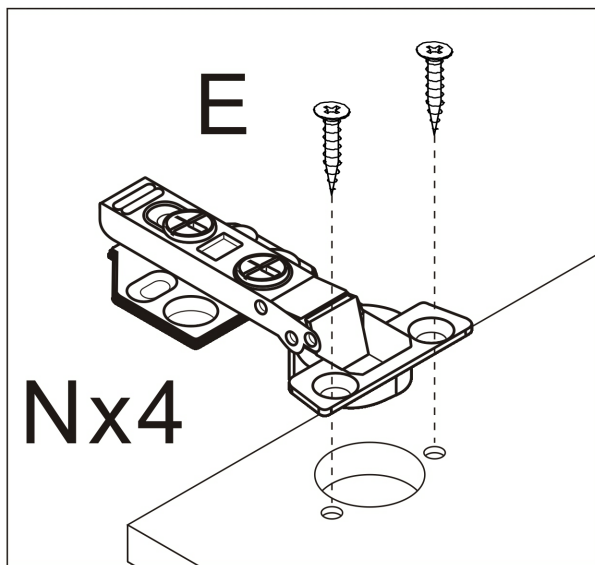
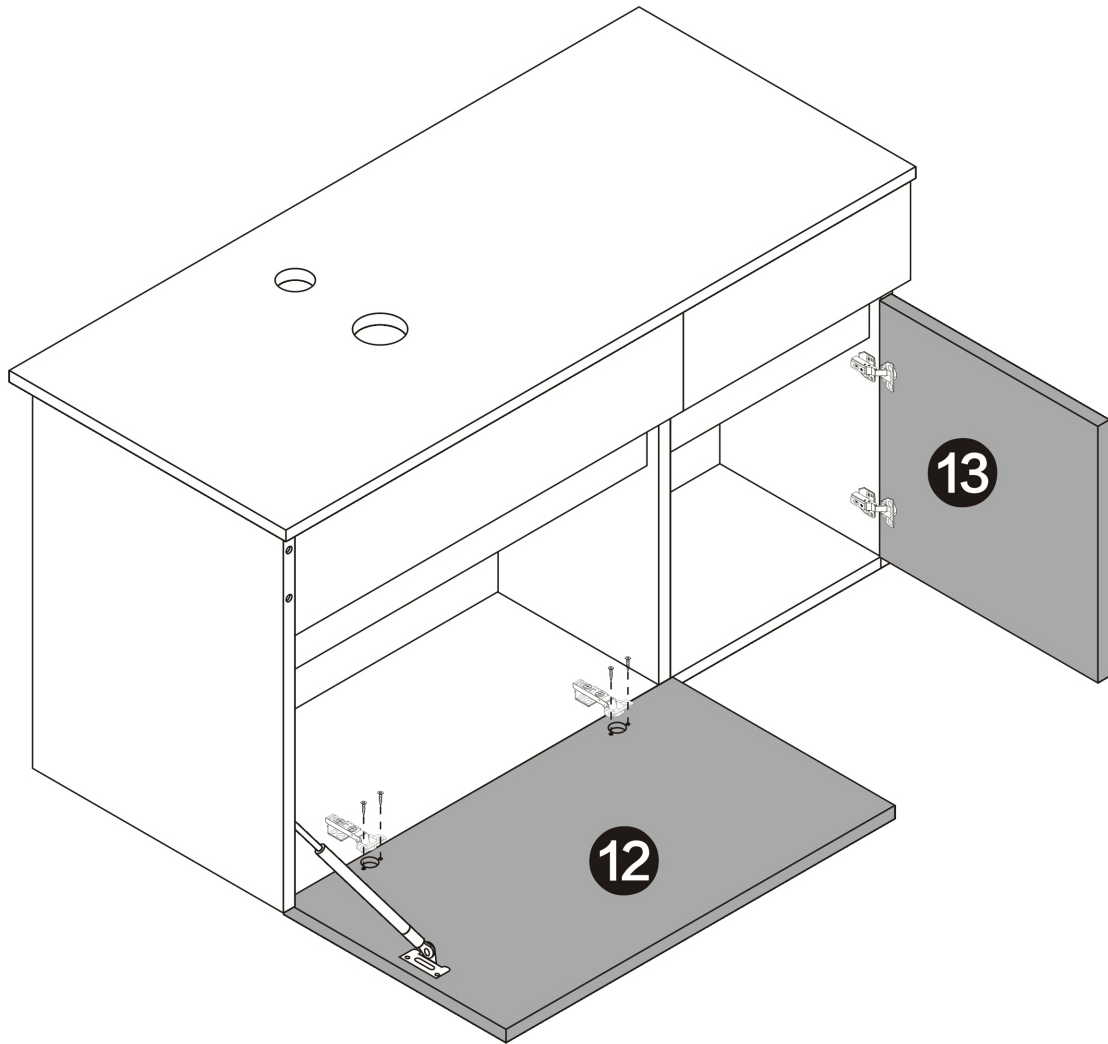
17


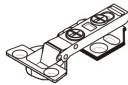



C	4PCS	I	2PCS
3.5*14mm		Three-section Rail	



16



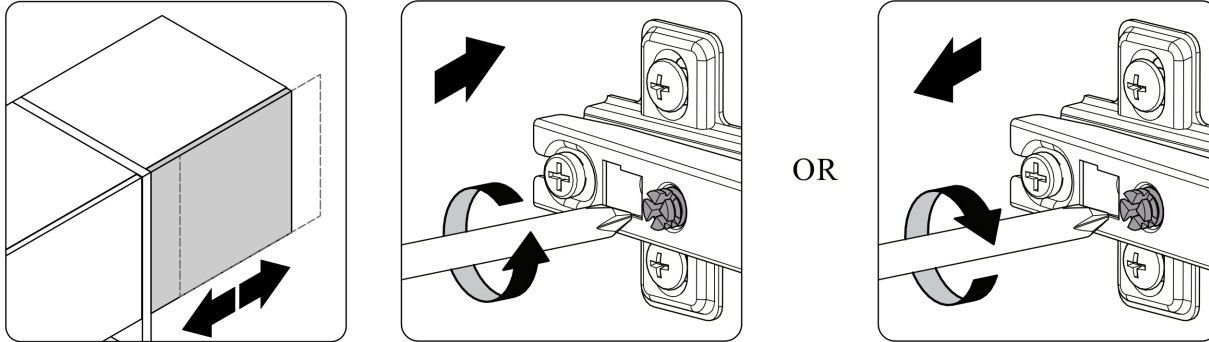
C 28PCS	N 4PCS	H 1PCS
		
3.5*14mm	Hinge	Pneumatic rod

SPECIAL TIPS FOR DOOR ALIGNMENT

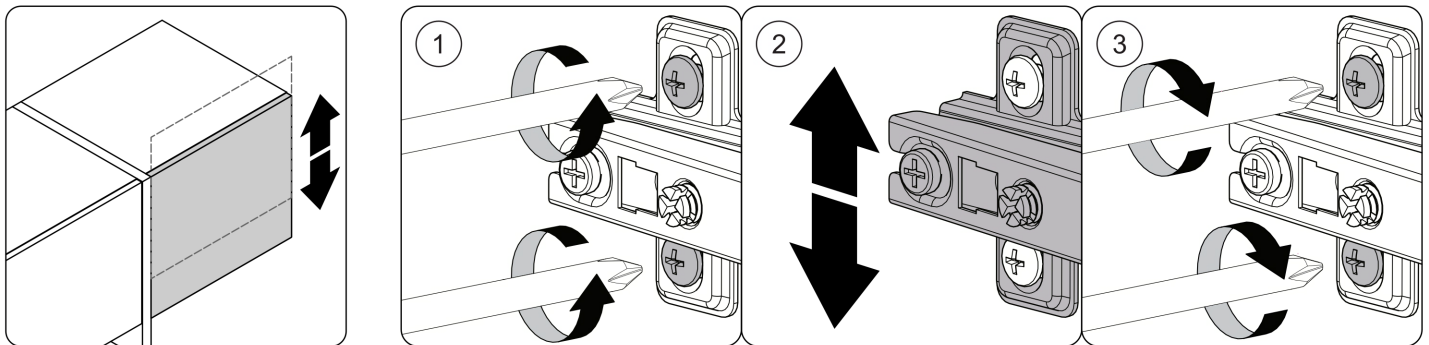
CONSEJOS ESPECIALES PARA LA ALINEACIÓN DE PUERTAS

CONSEILS SPÉCIAUX POUR L'ALIGNEMENT DES PORTES

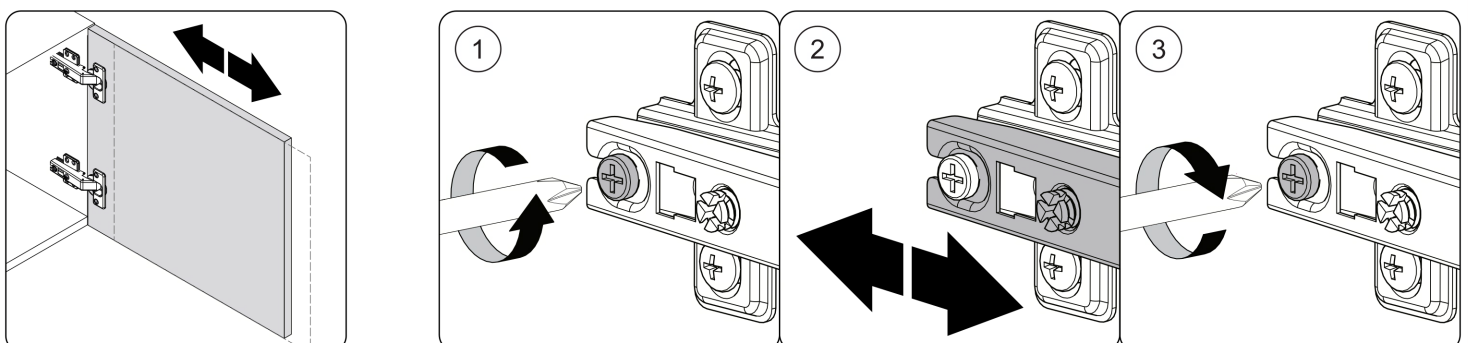
- A. Lateral adjustment (Moving door left-right) by screw adjusting
 Ajuste lateral (Puerta móvil de izquierda a derecha) mediante tornillo de ajuste
 Réglage latéral (porte mobile gauche-droite) par réglage à vis



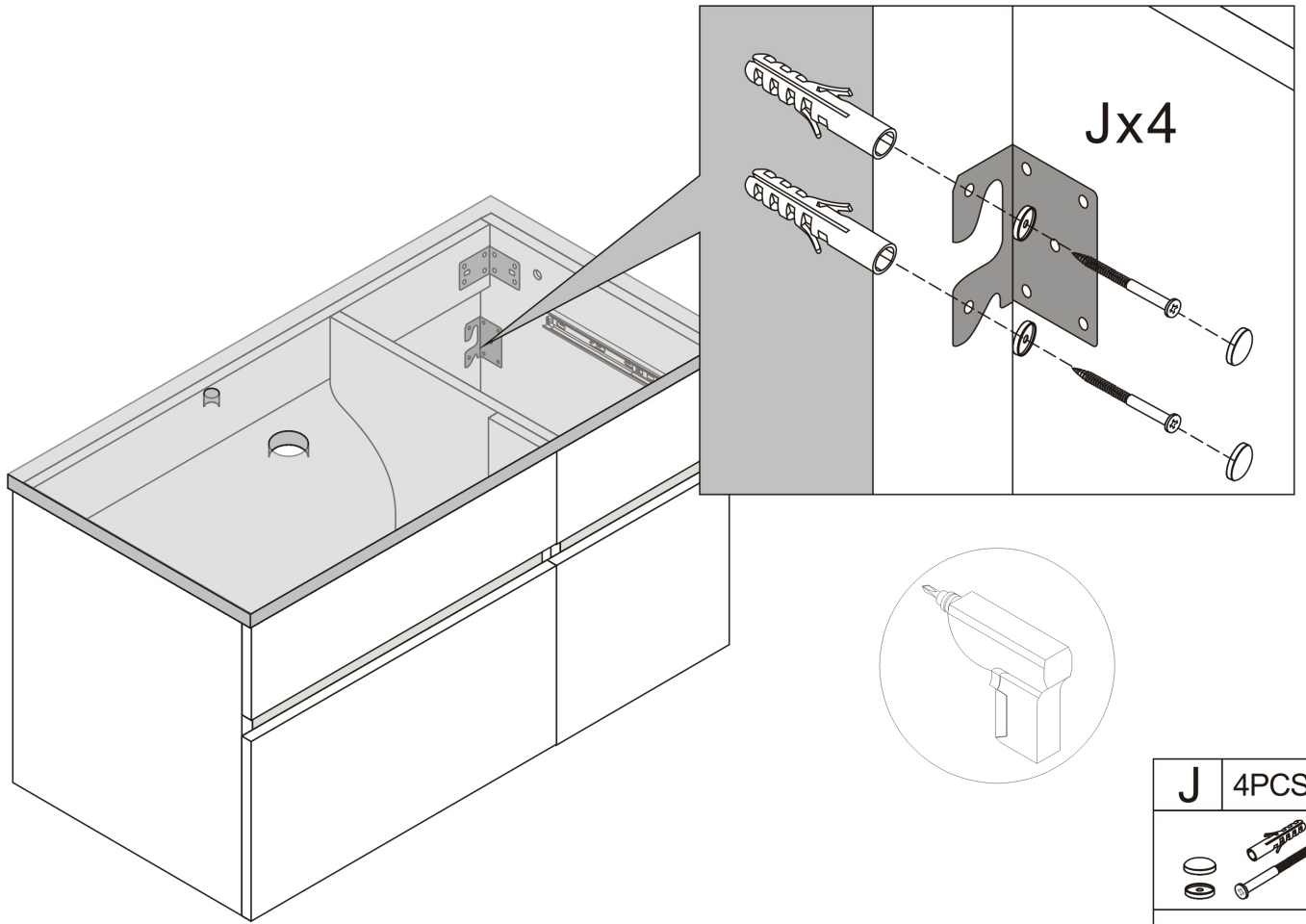
- B. Vertical adjustment (Moving door up-down) via the slot on the mounting plate
 Ajuste vertical (Puerta móvil arriba-abajo) a través de la ranura en la placa de montaje
 Réglage vertical (porte mobile de haut en bas) via la fente sur la plaque de montage



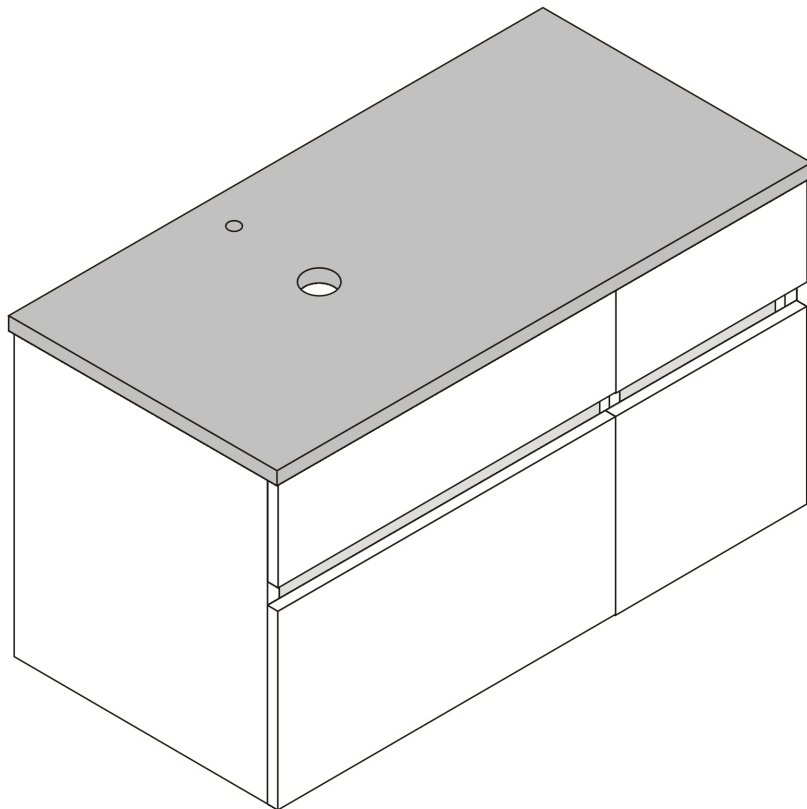
- C. Front-to-back adjustment (Spacing Door Off Cabinet) by slacking the hinge arm mounting screw
 Ajuste de adelante hacia atrás (espaciado entre la puerta y el gabinete) aflojando el tornillo de montaje del brazo de la bisagra
 Ajustement d'avant en arrière (espacement de la porte hors de l'armoire) en desserrant la vis de montage du bras de charnière



18



19



OK