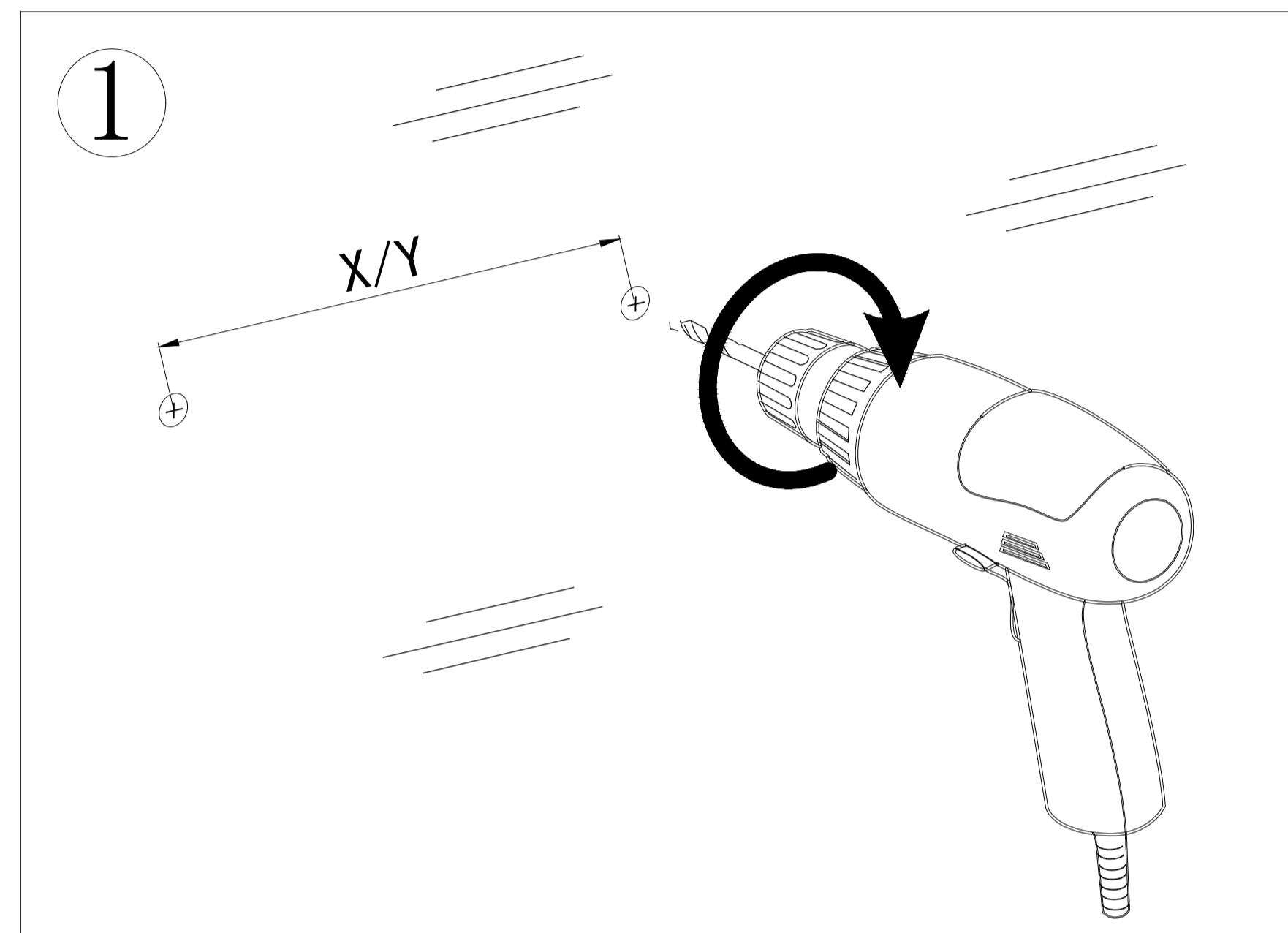
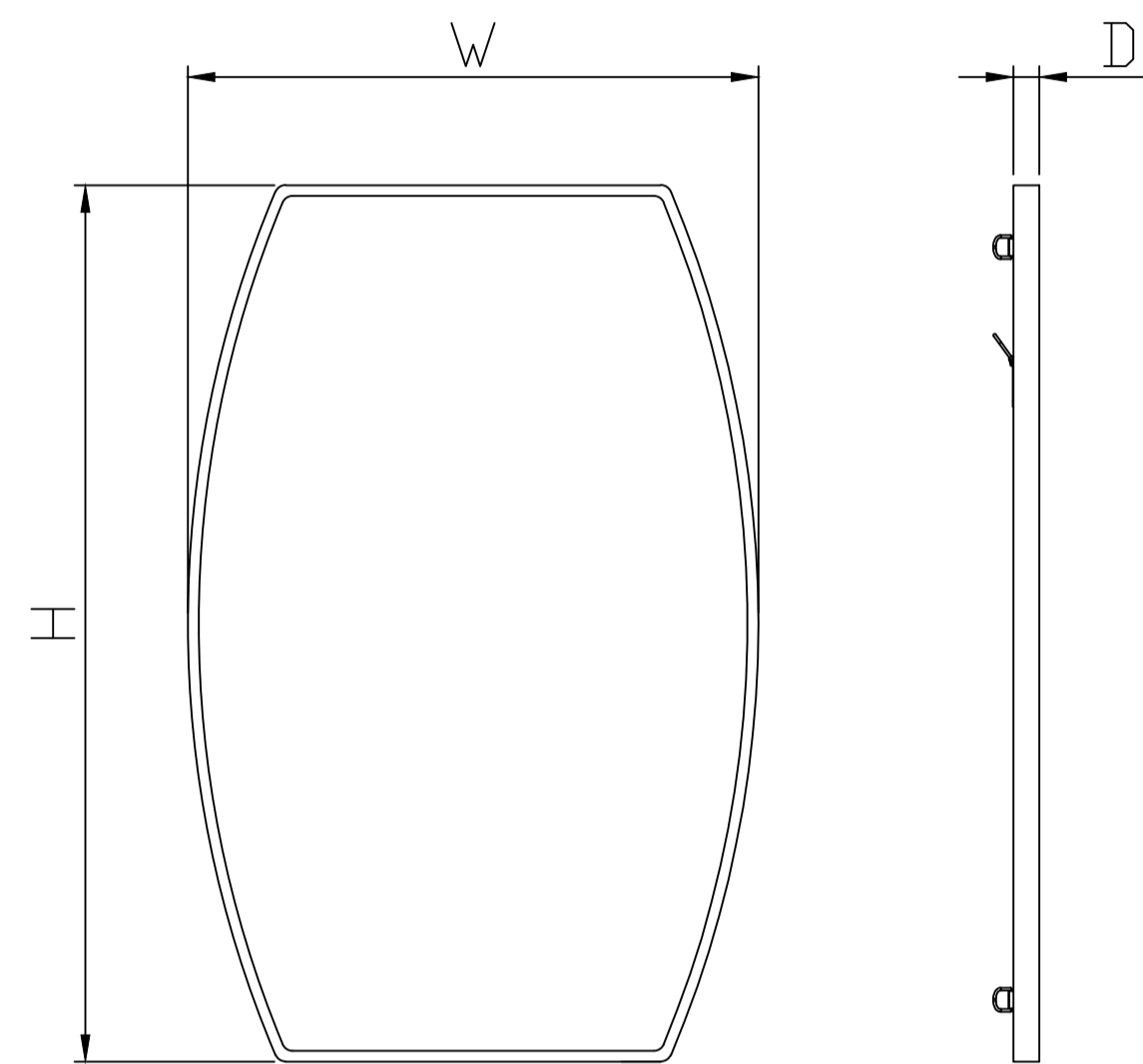
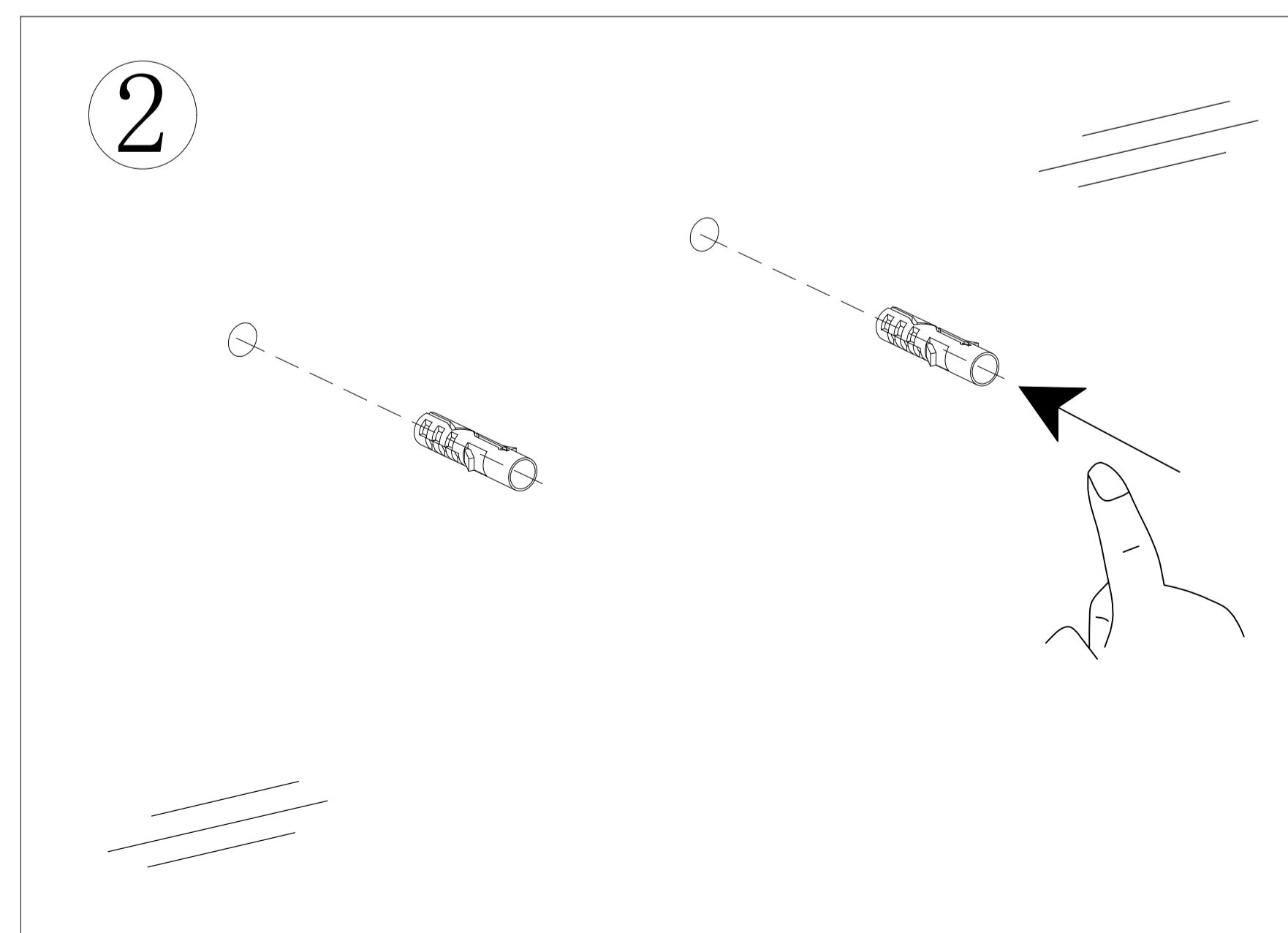
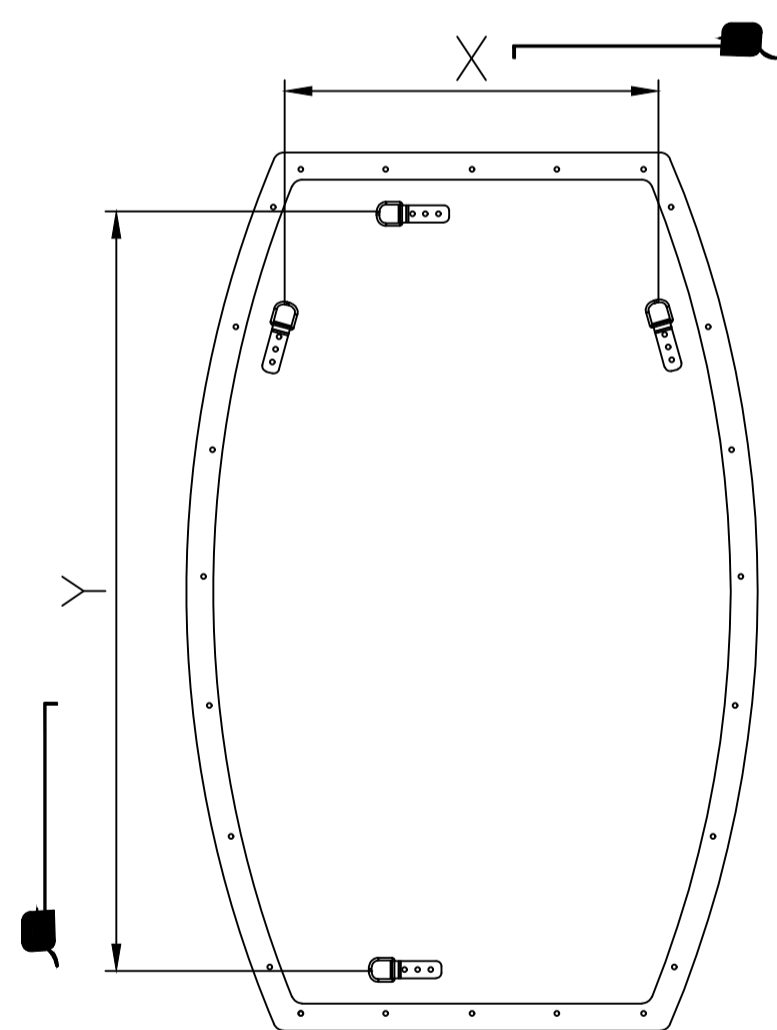


Installation procedure

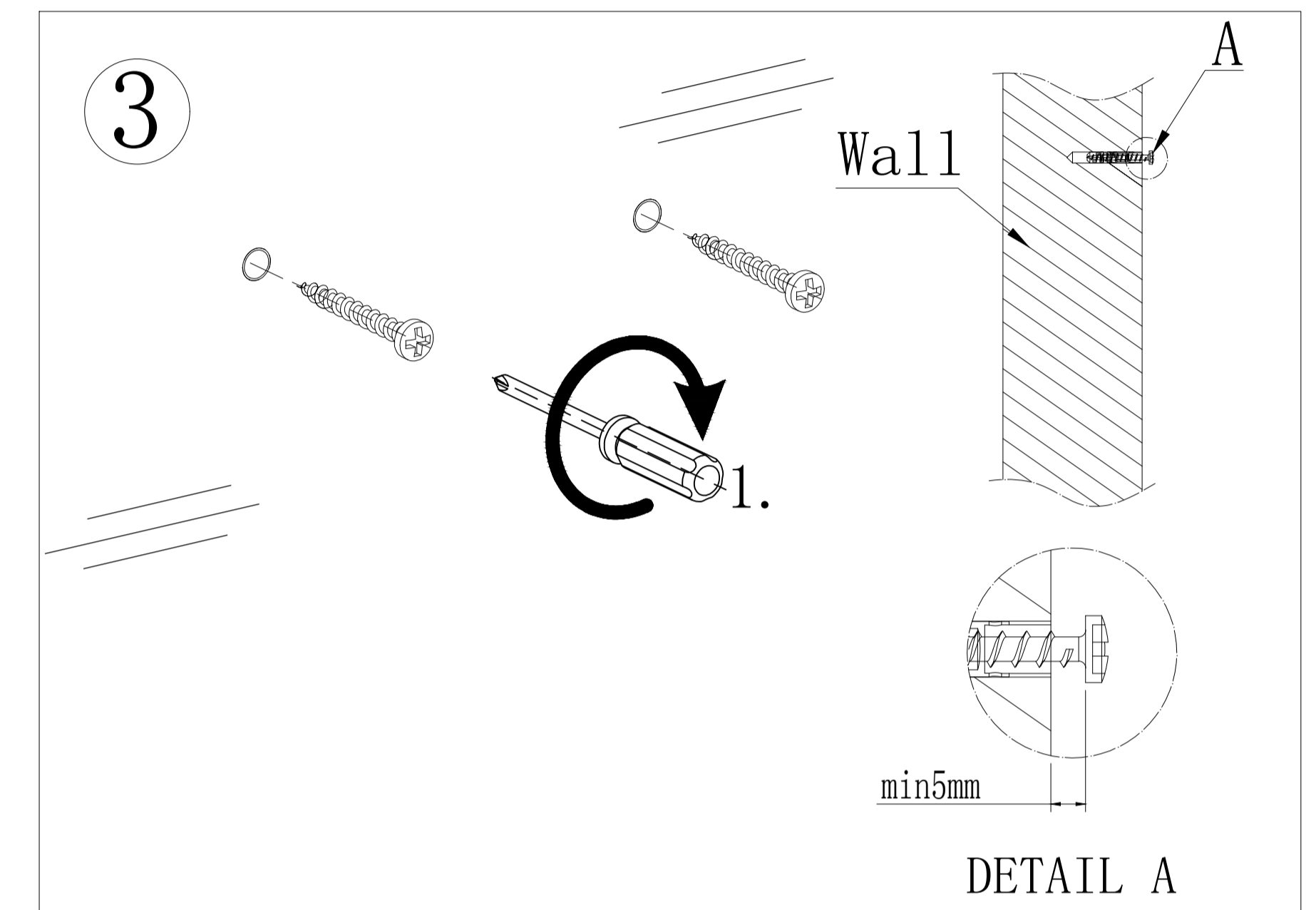
1. Mark the desired height and Width(X & Y) of the mirror. Drill the required holes.



2. Insert the wall plugs.
Note: Wall plugs supplied are only suitable for solid stone/brick walls. Please ensure the screws are fully tight.



3. Insert the screws into the wall plugs, leaving minimum 5mm from the wall for the mirror to hang onto the screws.



4. Hang the mirror onto the wall.

