
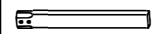


# Assembly Instruction For 5PC DINING SET

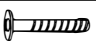



**CAUTION:** Please read instructions thoroughly before unpacking assembly parts. Sharp, exposed staple tips can cause injury, therefore, for your protection, please remove any exposed staples used in packing.

1. We recommend that you should assemble this product with the assistance of another person, this will make assembly easier, and will help to eliminate damage to the product or injury to persons during assembly.
2. Be sure to check all packing materials carefully for small parts that may have come loose inside the carton during shipment.
3. Please do not over tighten screws or bolts.
4. Please put all parts on a non-abrasive floor before assembly, and follow the assembly steps to assemble your newly purchased product correctly and efficiently.

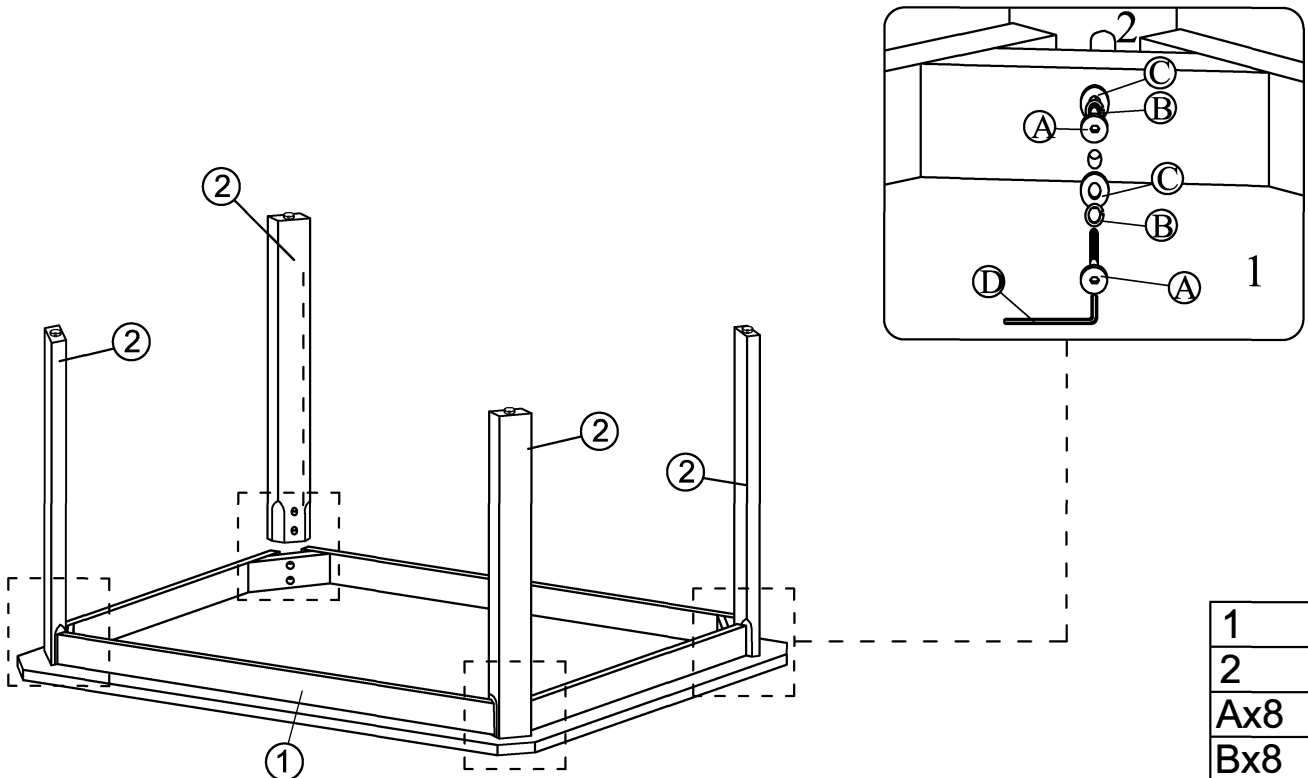
## PART LIST FOR TABLE

NO.	PART DESC	CODE	QTY
1	 TABLE TOP	Y-14470-7-5DSTOP	1
2	 TABLE LEG	PY-14470-7-5DSTLEG	4

## HARDWARE LIST FOR TABLE

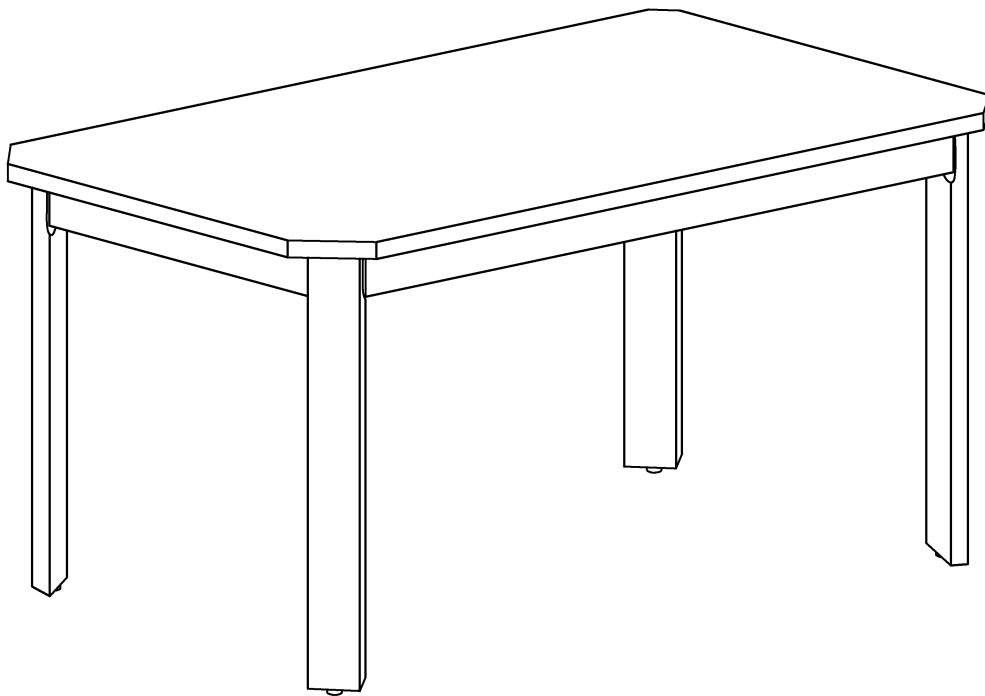
NO.	HARDWARE DESC	CODE	QTY
A	 JCBB M8 x 70MM	DTHW	8
B	 SPRING WASHER		8
C	 FLAT WASHER		8
D	 M5 ALLEN KEY		1

### STEP 1



1
2
Ax8
Bx8
Cx8
D

# Assembly Instruction For 5PC DINING SET



Completed