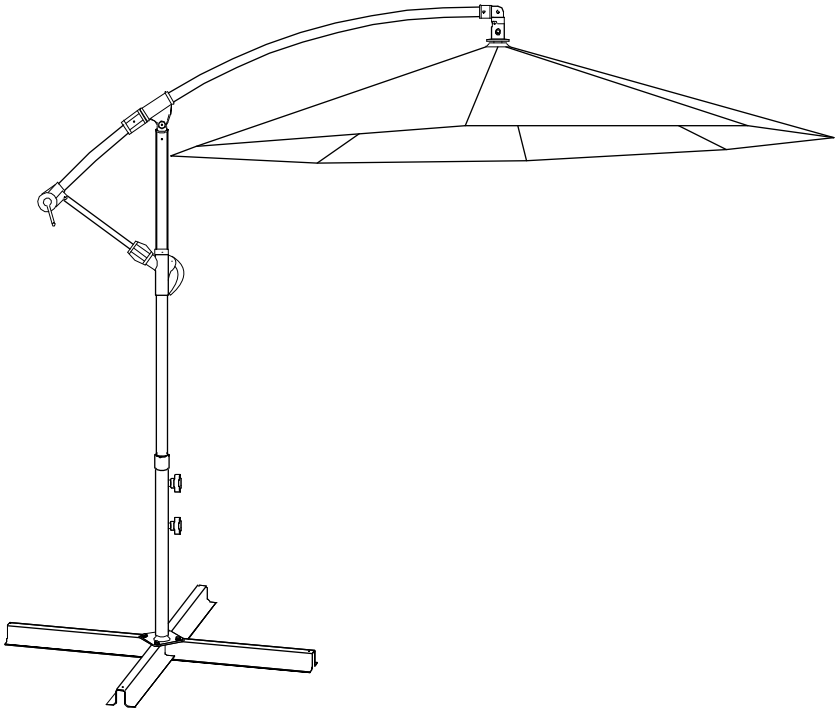


INSTRUCTION MANUAL



10 Ft. Cantilever Hanging Patio Umbrella

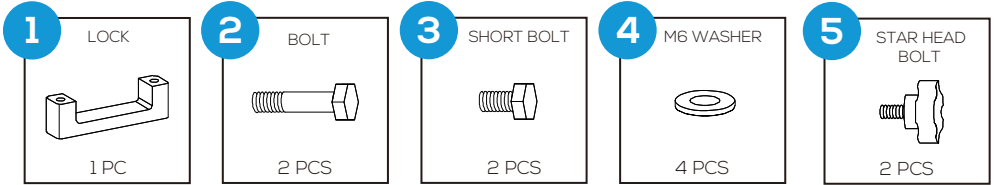
! CARE & MAINTENANCE

- △ Clean with lukewarm water, mild detergent & Sponge.
- △ Wipe down the pole with damp cloth.
- △ Store in a location when not in use.

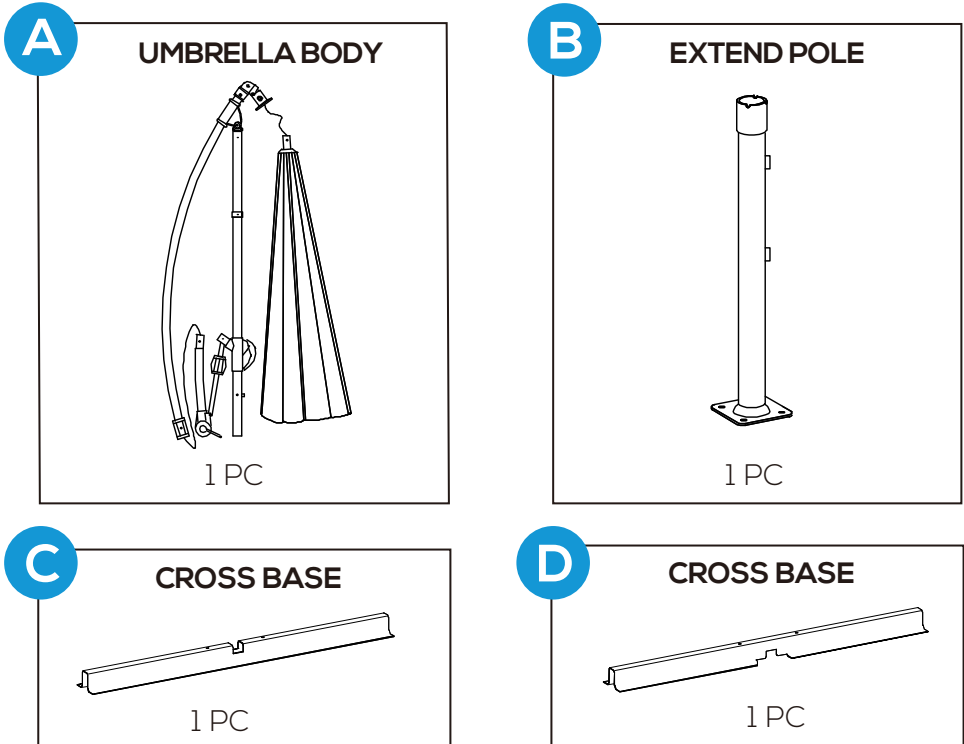
! SAFETY PRECAUTIONS

- △ Store the umbrella in windy or stormy weather.
- △ Do not use or store this item in the proximity of open flame or flammable/combustible chemicals.
- △ Do not allow umbrella to flap in the wind as it may cause damage.
- △ When adjusting umbrella, make sure no person or item is close to avoid injury or damage.

HARDWARE



PARTS



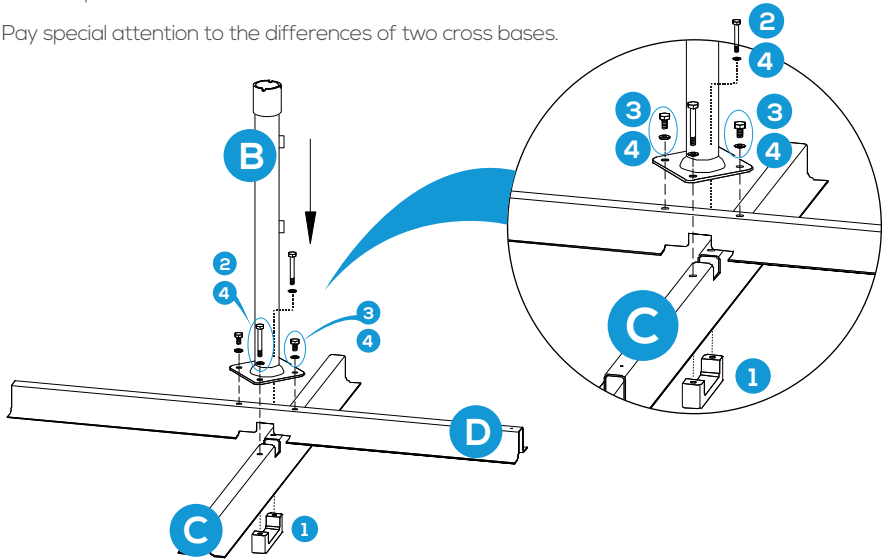
PRODUCT ASSEMBLY

1

Place part C and D Cross Base as below and attach part B Extend Pole to part D Cross Base with 2 PCS of part 3 short bolt and part 4 washer.

Then attach part B Extend Pole to part C Cross Base and part 1 Lock with 2 PCS of part 2 bolt and part 4 washer.

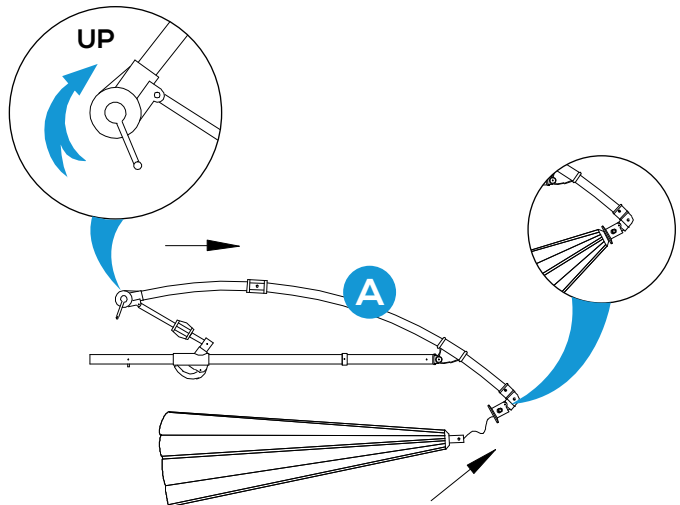
Pay special attention to the differences of two cross bases.



2

Turn the crank at the end of supporting pole clockwise to pull the umbrella up to the top socket.

Now you can pull up the umbrella body upward.



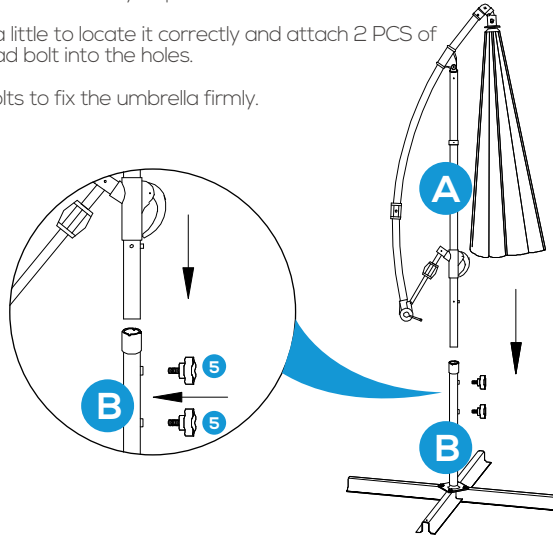
PRODUCT ASSEMBLY

3

Attach part A Umbrella Body to part B Extend Pole as below.

Turn the pole a little to locate it correctly and attach 2 PCS of part 5 star head bolt into the holes.

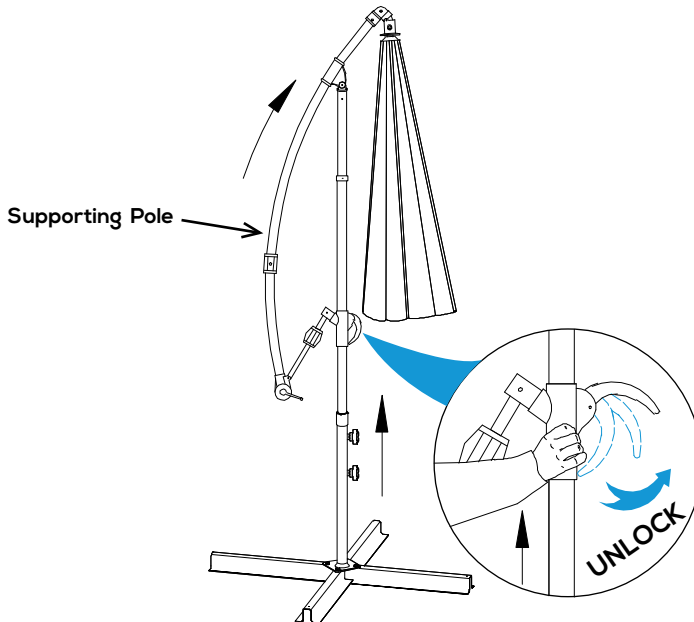
Tighten two bolts to fix the umbrella firmly.



4

Unlock the adjusting handle as below and adjust the supporting pole up and down to a suitable position by pushing the handle upwards or downwards.

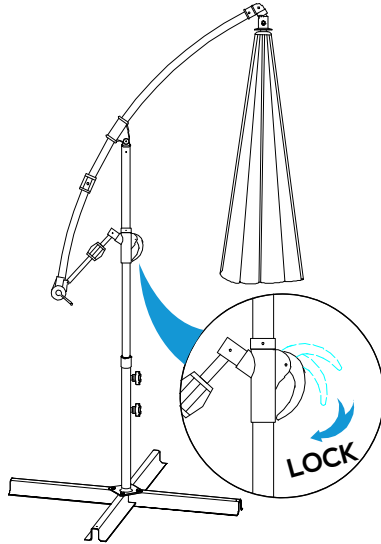
△ Hold the umbrella supporting pole when adjusting to avoid any injury or damage.



PRODUCT ASSEMBLY

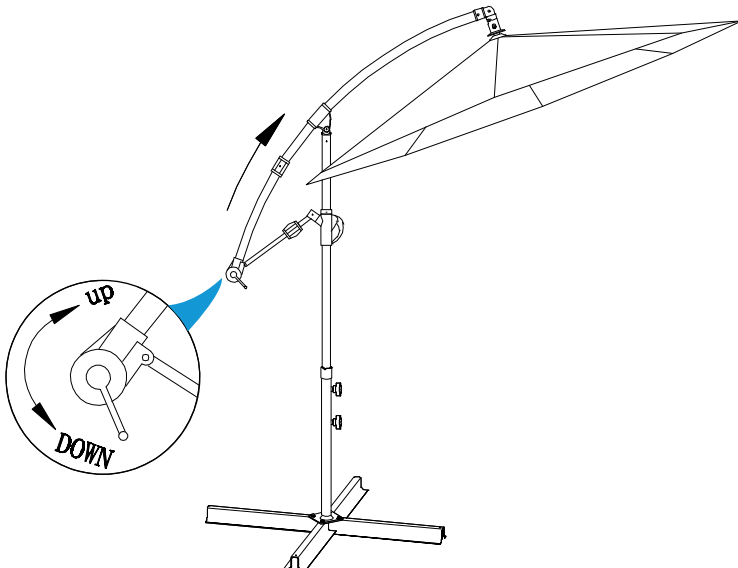
5

Lock down the adjusting handle when the umbrella supporting pole is in a suitable position.



6

Turn the crank at the end of supporting pole clockwise to open the umbrella while turn anti-clockwise to close the umbrella.

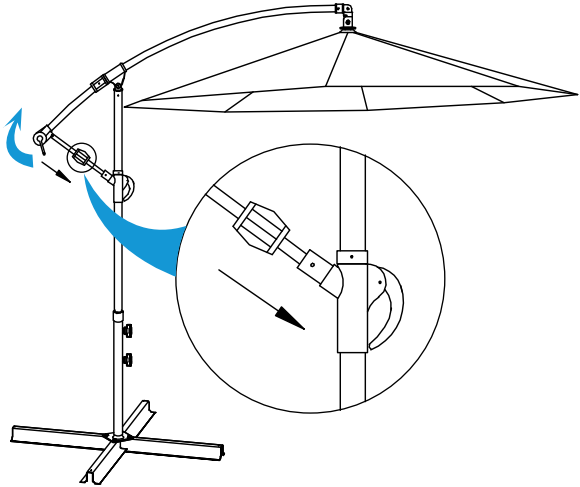


PRODUCT ASSEMBLY

7

Push the supporting pole upward to make the connecting pole straight.

Pull the lock downward to fix the connecting pole firmly.



8

Congratulation to have finished the assembly of this umbrella.

Just enjoy your time.

