

## ASSEMBLY INSTRUCTION

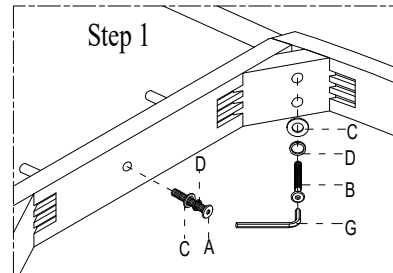
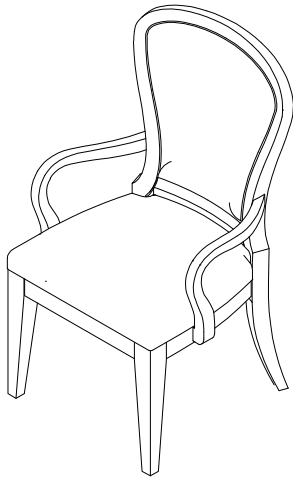
### 025 - 639 MERRITT UPHOLSTERED ARM CHAIR

www.kincaidfurniture.com

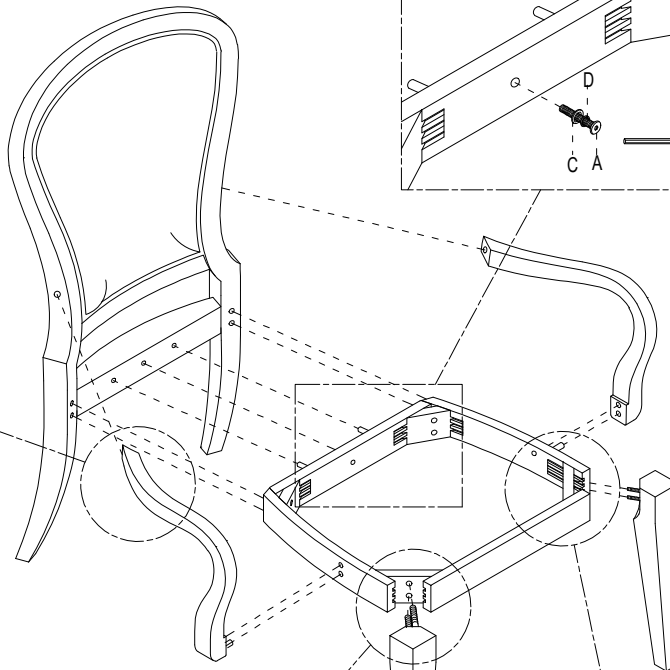
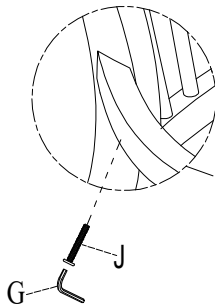
Phone : 828-728-3261.

### IMPORTANT NOTES :

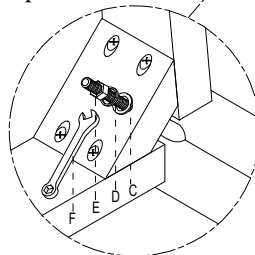
- . Place all wooden parts on a clean and smooth surface such as a rug or carpet to prevent the parts from being scratched.
- . Check to be sure that you have all parts and hardware.
- . Remove all wrapping materials, including staples and packing straps before you start to assemble.
- . Do not tighten all screws and bolts until completely assembled.
- . Keep all hardware out of the reach of children.



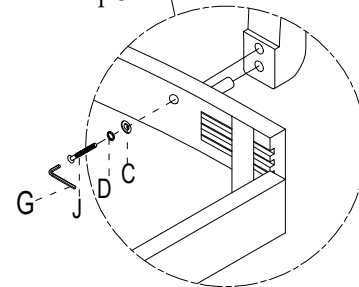
Step 4



Step 2



Step 3



| No. | Dimension            | Shape | Quantity |
|-----|----------------------|-------|----------|
| A   | Bolt 5/16*38mm       |       | 1pc      |
| B   | Bolt 5/16*76mm       |       | 4pcs     |
| C   | Flat washer 5/16*O19 |       | 11pcs    |
| D   | Lock washer 5/16"    |       | 11pcs    |
| E   | Nut 5/16"            |       | 4pcs     |
| F   | Wrench               |       | 1pc      |
| G   | Allen Key 4mm        |       | 1pc      |
| J   | Bolt 1/4*38mm        |       | 4pcs     |

**MADE IN VIETNAM**