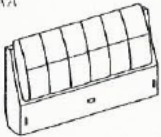

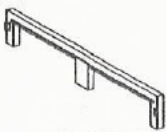







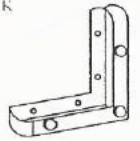

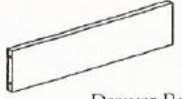
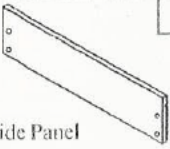
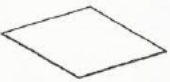

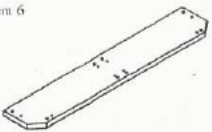
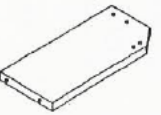
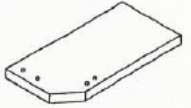







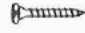
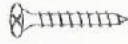
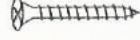
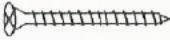


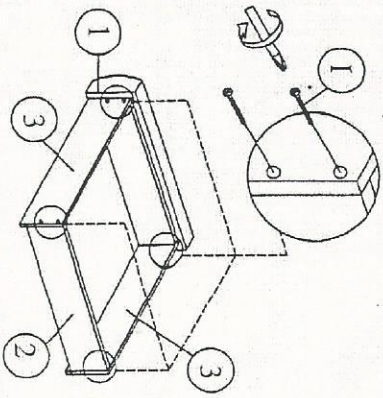


Assembly Instruction

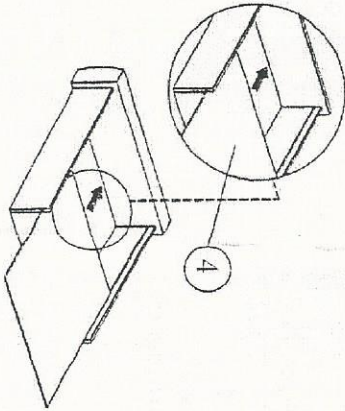
| | | |
|---|--|--|
| Item AA  Headboard 1 pc | Item AB  Footboard 1 pc | Item AC  Side Rail 2 pcs |
| Item AD  Center Rail 1 pc | Item AE  Slat 26 pcs | Item AF  Middle Holder 13 pcs |
| Item AG  End Holder 26 pcs | Item AH  Drawer Slide 500 8 pcs | Item AI  Drawer Slide 500 8 pcs |
| Item AJ  Support Leg 2 pcs | Item AK  Leg 4 pcs | |
| Item 1  Drawer Front Panel 4 pcs | Item 2  Drawer Back Panel 4 pcs | Item 3  Drawer Side Panel 8 pcs |
| Item 4  Drawer Bottom Panel 4 pcs | Item 5  4 pcs | Item 6  2 pcs |
| Item 7  2 pcs | Item 8  2 pcs | Item 9  2 pcs |
| Item 10  4 pcs | | |

| | | |
|---|---|---|
| Item A  Plastic Dowel (8 x 25) 24 pcs | Item B  JCBC W M6 x 40 24 pcs | Item C  JCBC M6 x 40 18 pcs |
| Item D  White Nail Leg 20 pcs | Item E  Power Nail 6/8 48 pcs | Item F  CSK M3.5 x 16 mm 48 pcs |
| Item G  CSK M4 x 25mm 14 pcs | Item H  CSK M4 x 32 mm 16 pcs | Item I  CSK M4 x 50mm 32 pcs |
| Item J  Allen Key 65 mm 1 pc | Item K  M6 Flat Washer 16 pcs | |

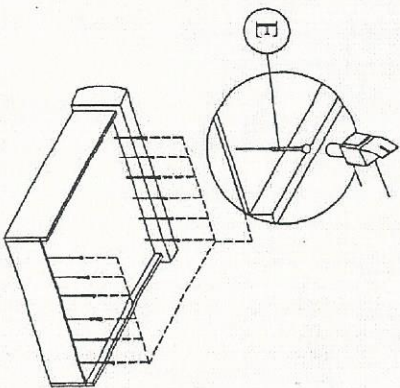
p1



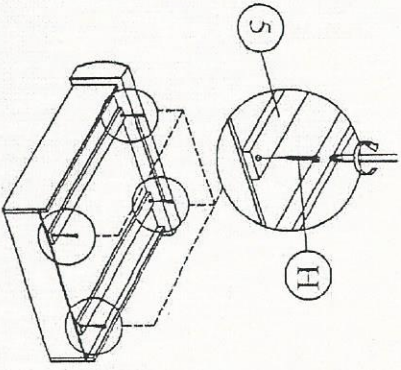
Step 2



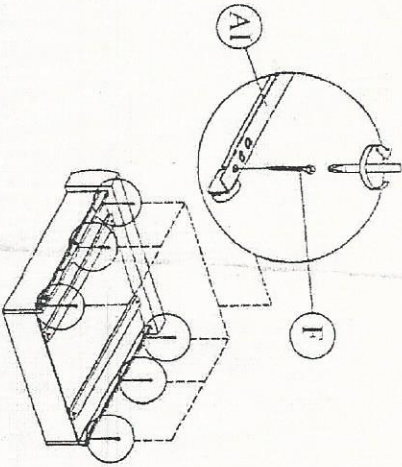
Step 3



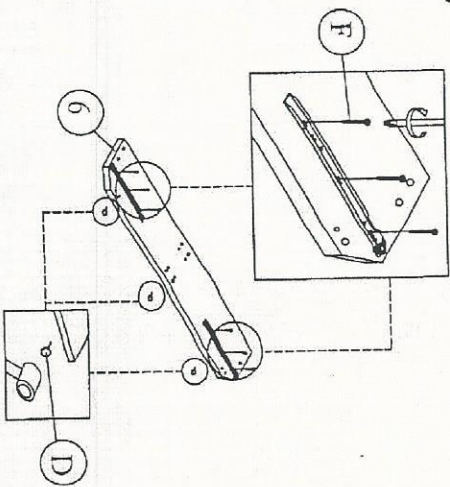
zp 4



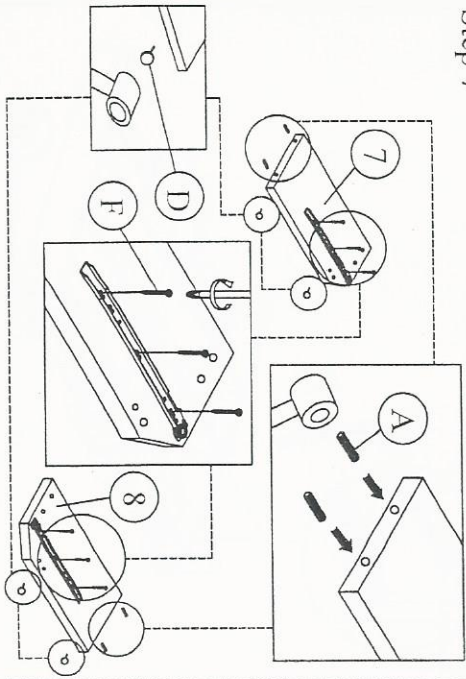
Step 5



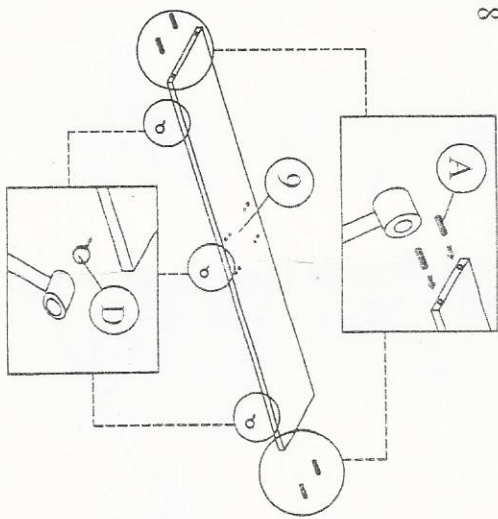
Step 6



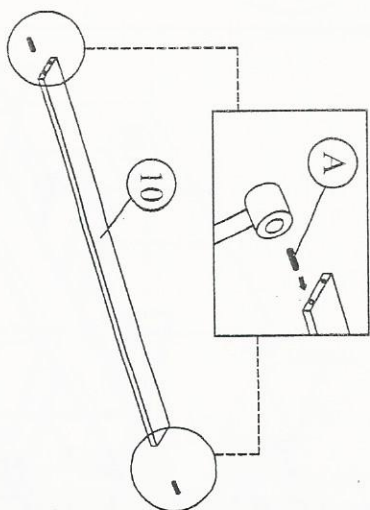
Step 7



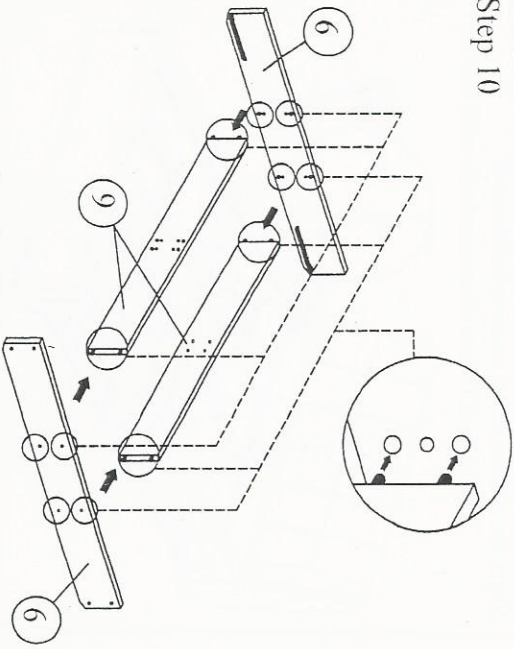
Step 8



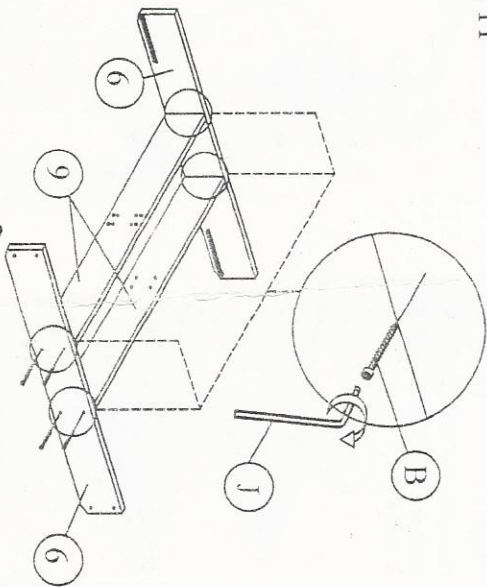
Step 9



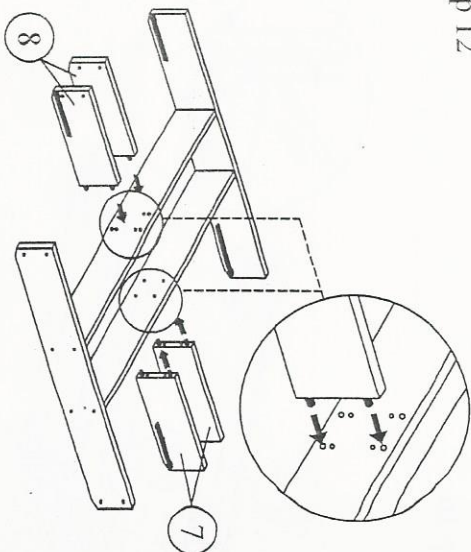
Step 10

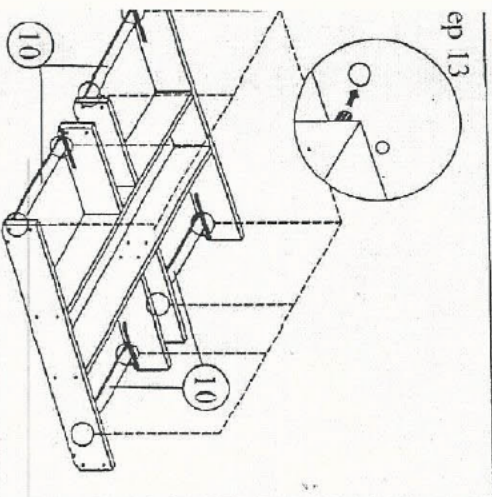


Step 11

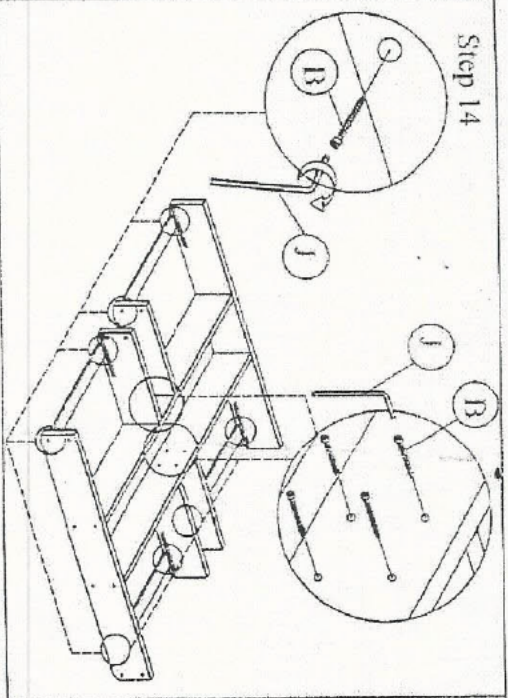


Step 12

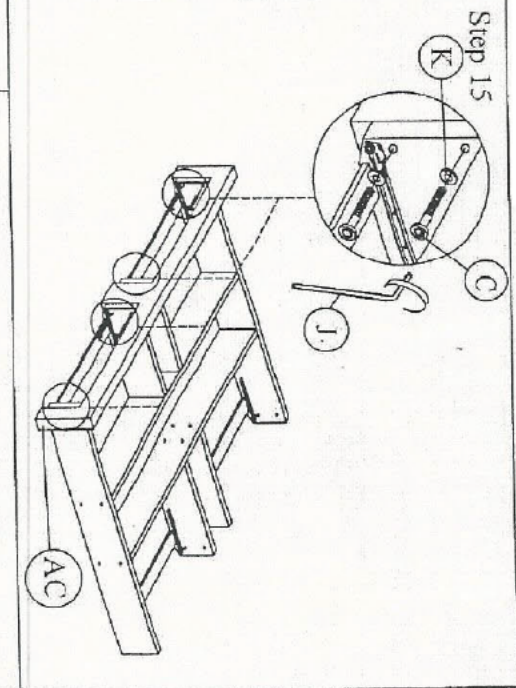




ep 13

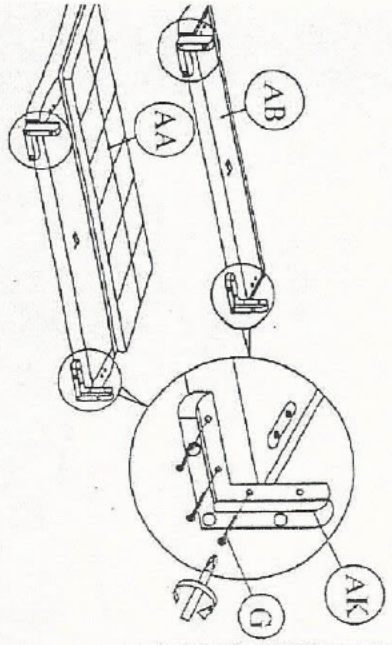


Step 14

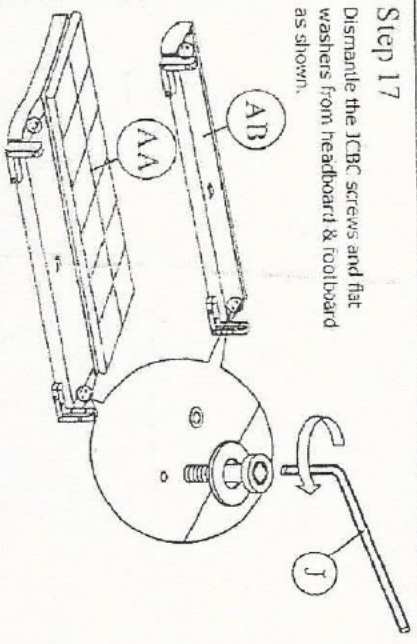


Step 15

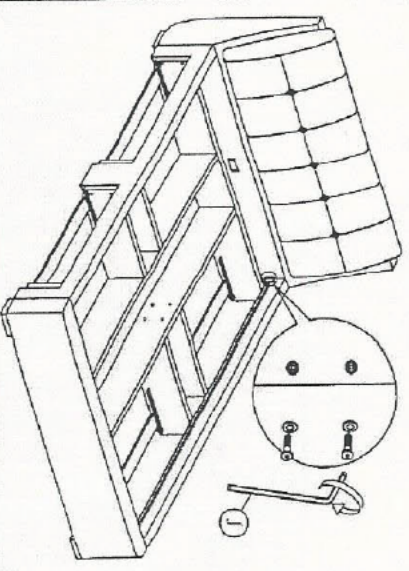
Step 16



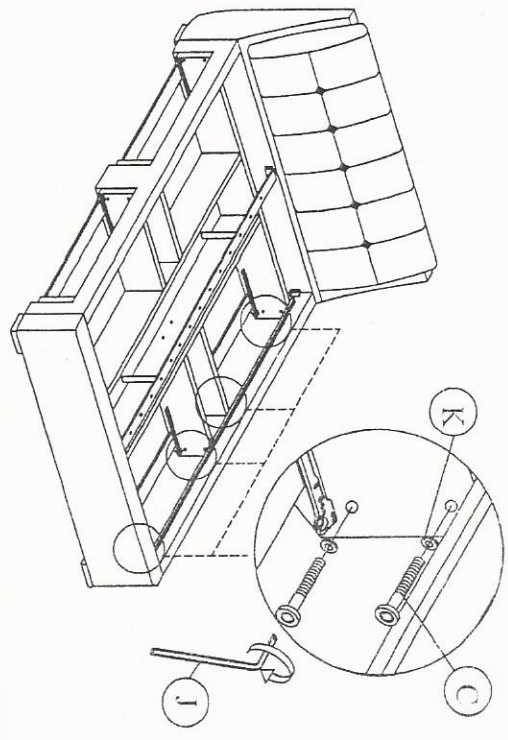
Step 17
Dismantle the ICBC screws and flat washers from headboard & footboard as shown.



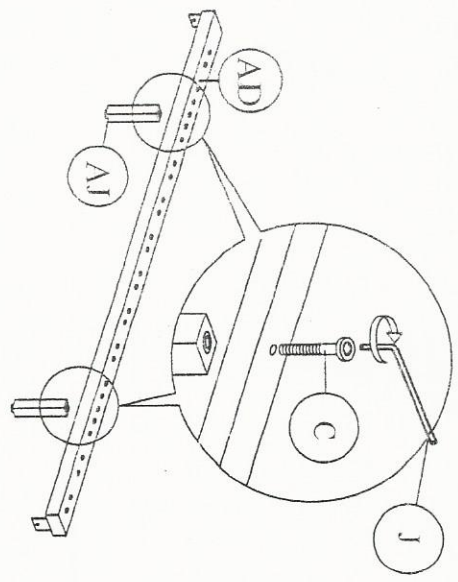
Step 18 Please attach screw to headboard & footboard. Do not rotate completely until step 22



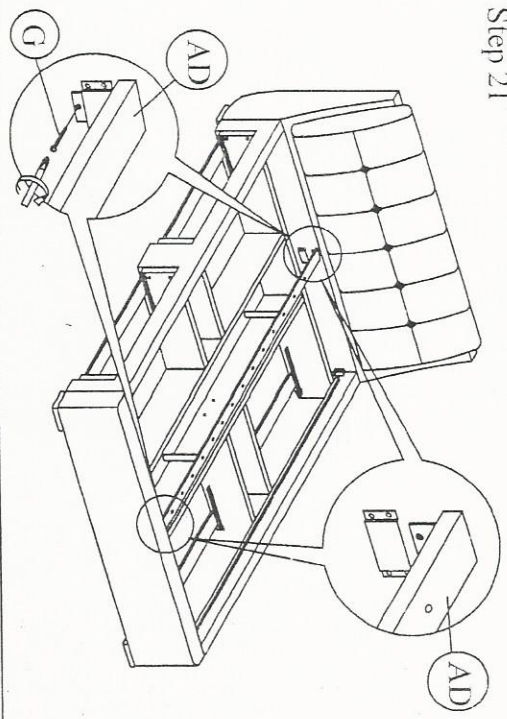
Step 19



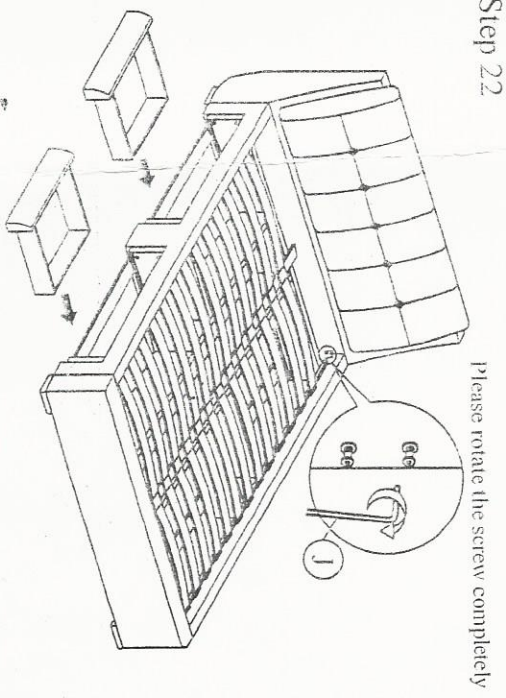
Step 20



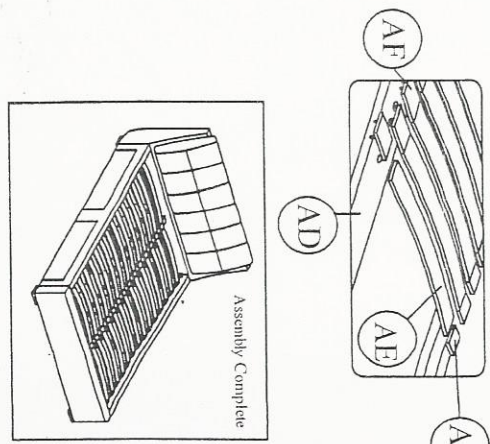
Step 21



Step 22



Please rotate the screw completely



Assembly Complete