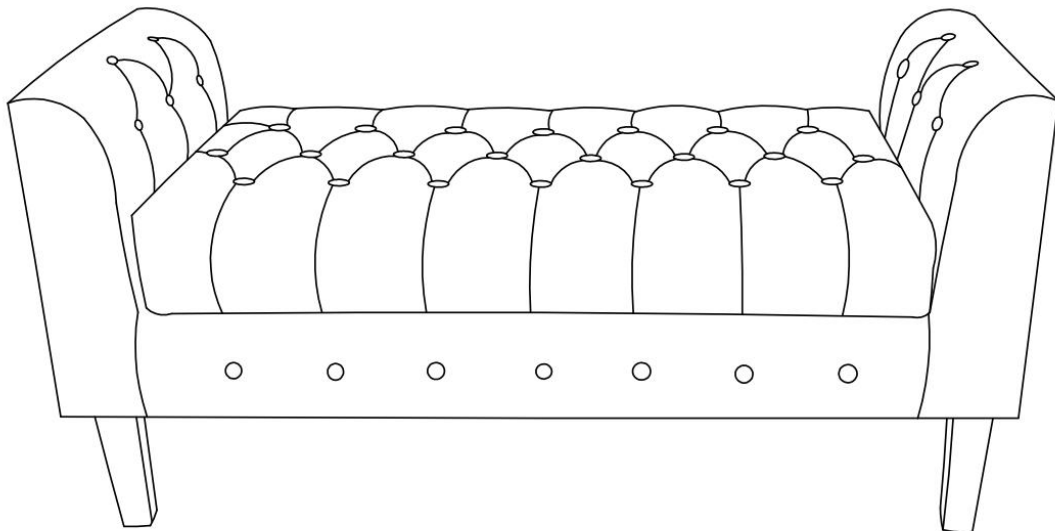


# ASSEMBLY INSTRUCTIONS

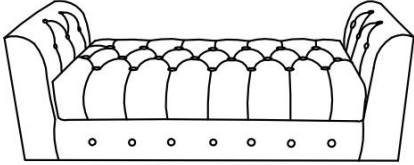

## Storage Bench



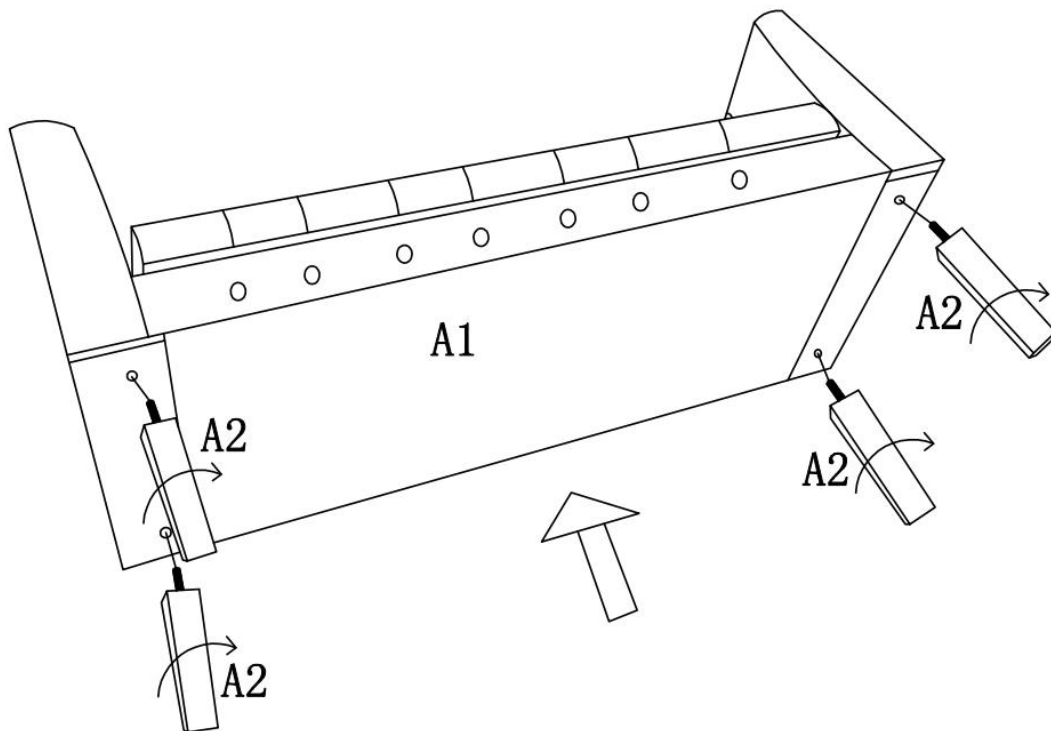
### NOTE TO CUSTOMERS:

- For ease and speed of assembly we recommend that before you commence each step of the assembly that you identify all the parts required to complete that step.
- We recommend that where possible you allow sufficient space to assemble the item as close as possible to the place where it will be once assembled.
- For the protection of your furniture we recommend that the product is placed on protected surfaces during assembly to prevent any damage.
- During assembly do not over tighten, as this may damage the product.
- Please ensure you retain all the product packaging until the item completely assembled.
- Please periodically check all fittings and re-tighten as necessary.
- Please never allow any liquids to remain on your furniture as absorption can cause the wood to warp or finish to de-laminate.

# Parts List

<p>A1. Quantity of 1</p>  <p>Top Seat</p>	<p>A2. Quantity of 4</p>  <p>Legs</p>
----------------------------------------------------------------------------------------------------------------------------	--------------------------------------------------------------------------------------------------------------------------

# Assembly Steps



Attach Legs A2 to the bottom of Top Seat A1 as shown above.