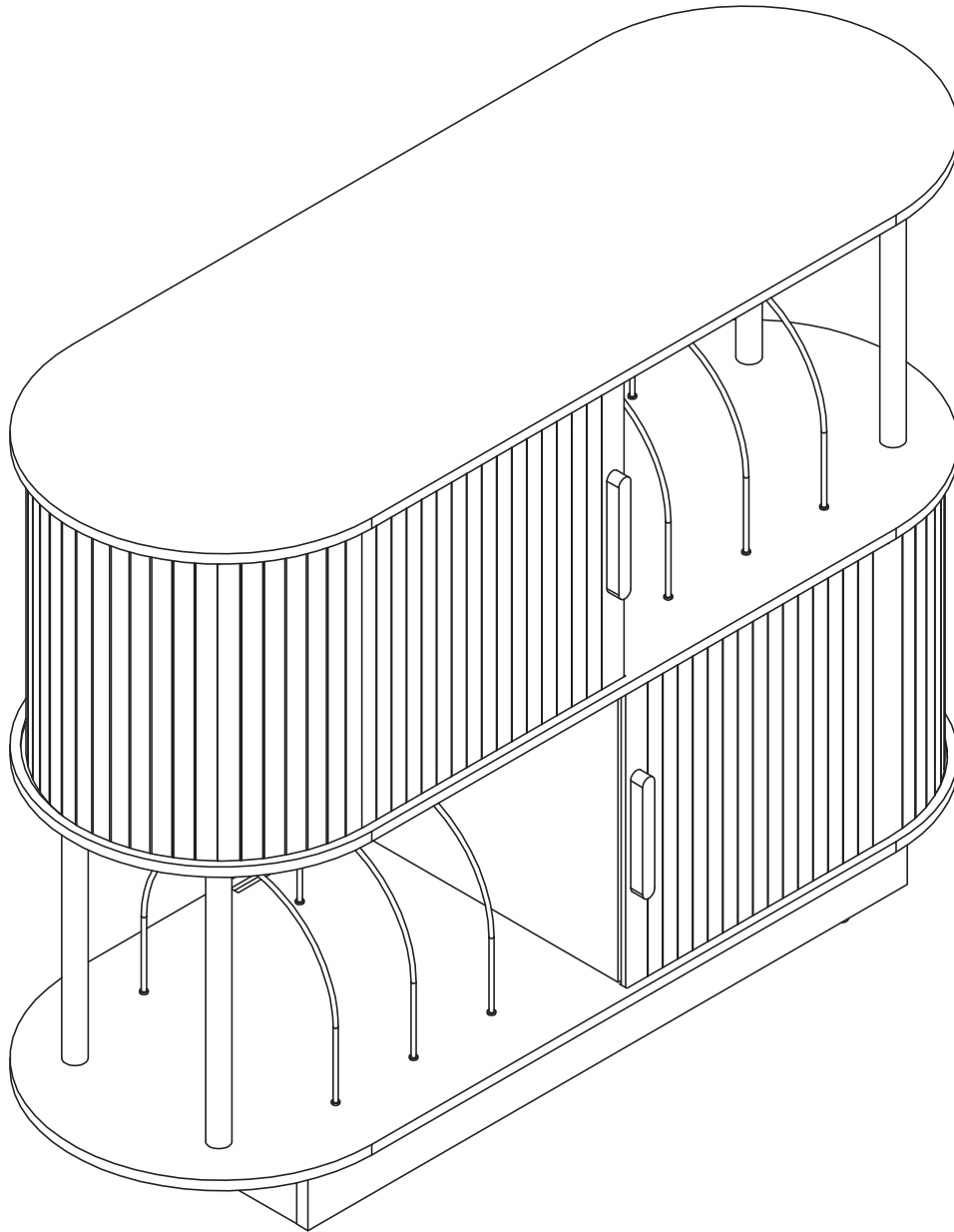
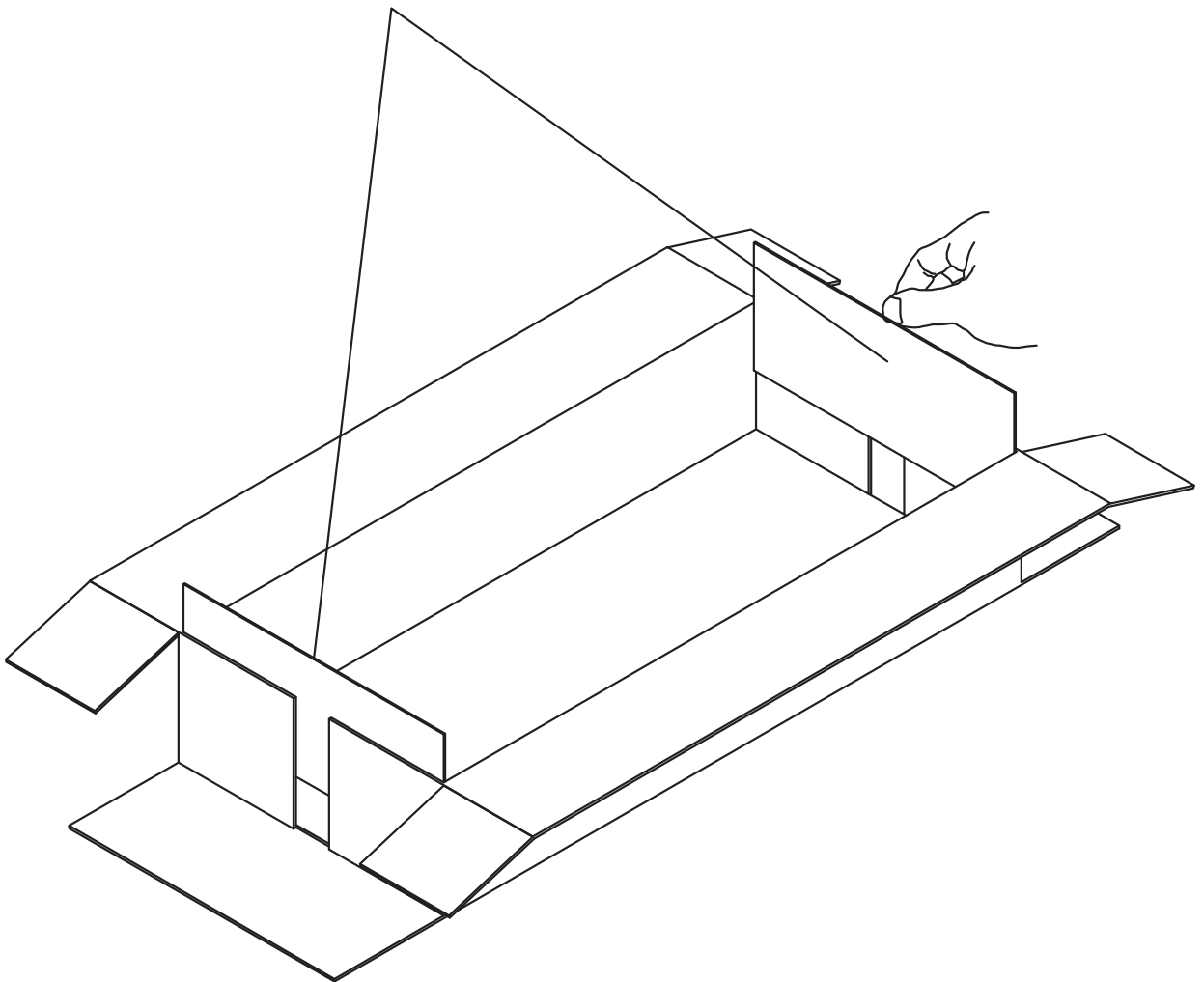


Installation Instruction





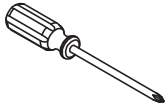
The two panels on the left and right of the package are used to protect the product, you can just throw it away.



Assembling

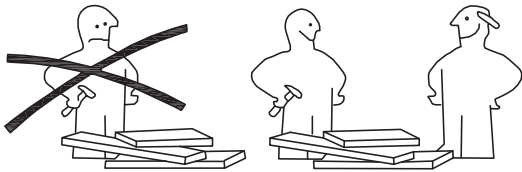
What you need

- Use the packaging carton as a working surface to prevent product damage during assembly
- Phillips head screwdriver



Weight Limitation

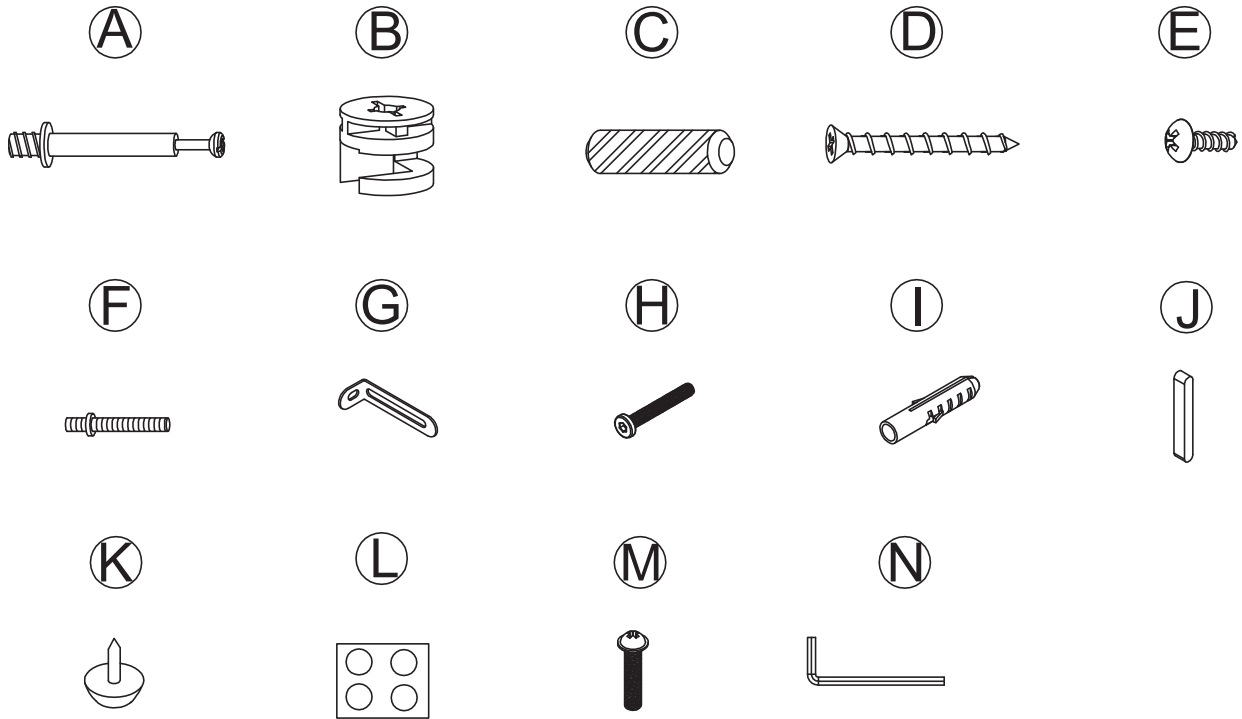
 **100** | **35**
lbs table top lbs per



What' included

Code	Description	Qty
A	Cam Bolt M6X35MM	42
B	Cam Lock 15X10MM	42
C	Wooden Dowel M8X30MM	14
D	Screw M4X40MM	6
E	Screw M3.5X14MM	2
F	Slub screw M6*30	4
G	L-shaped metal sheet	2
H	Screw M6X25MM	4
I	Anchor	2
J	Solid wood handle	2
K	Foot nail	6
L	Circular hole Decals	42
M	Cam Bolt M4X8MM	4
N	Wrench M4X55MM	1

The Hardwares



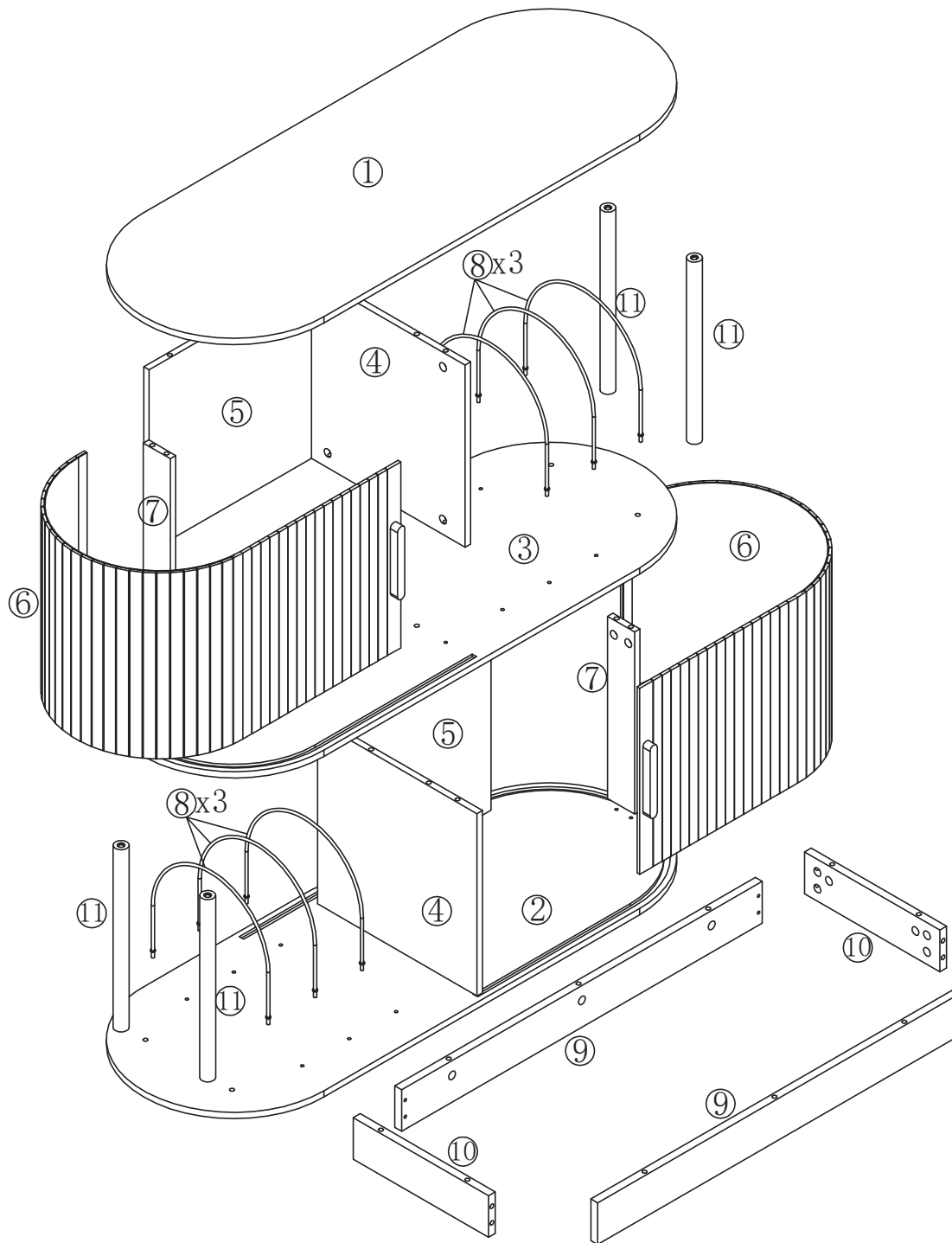
IMPORTANT:

1. Do not tighten bolts / screws completely until all bolts / screws are lined up and inserted into holes.
2. Do not over tighten screws and bolts to avoid stripping
3. Please use hand tools to assemble this product, you can also use power tools (please use power tools carefully).

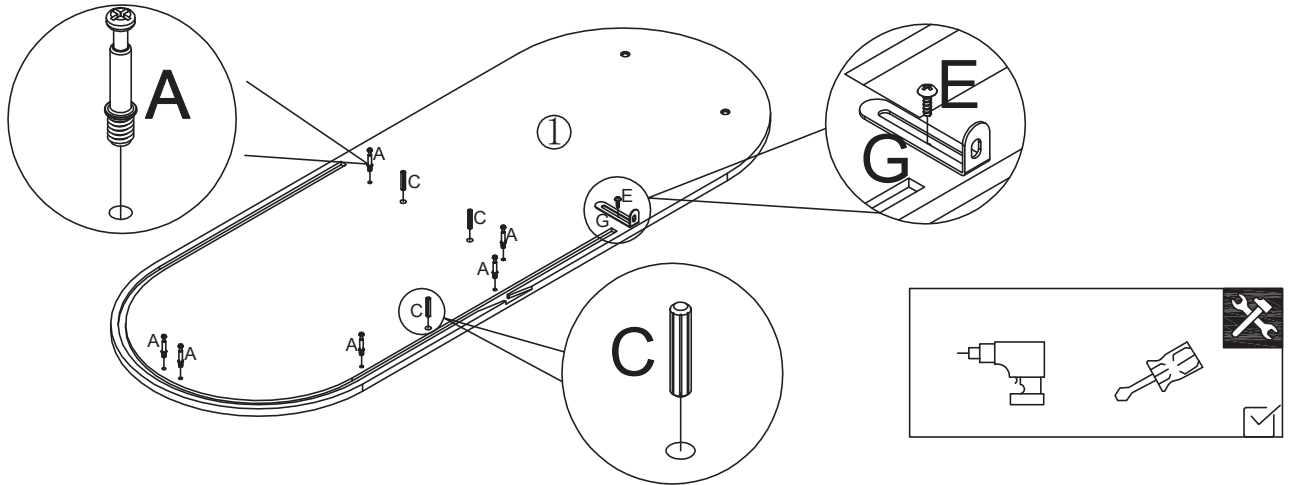
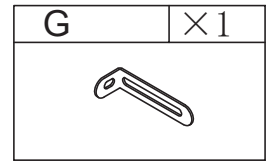
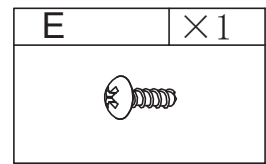
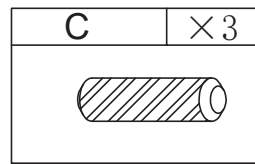
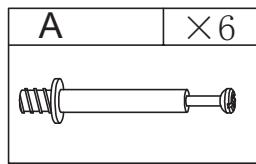
Included Accessories

Code	Description	Qty
1	Cabinet Top	1
2	Bottom Panel	1
3	Layer plate	1
4	Partition board	2
5	Back panel	2
6	Coaming panel	2
7	Support plate	2
8	Reinforcing bar	6
9	Long strip board	2
10	short strip board	2
11	Solid wood	4

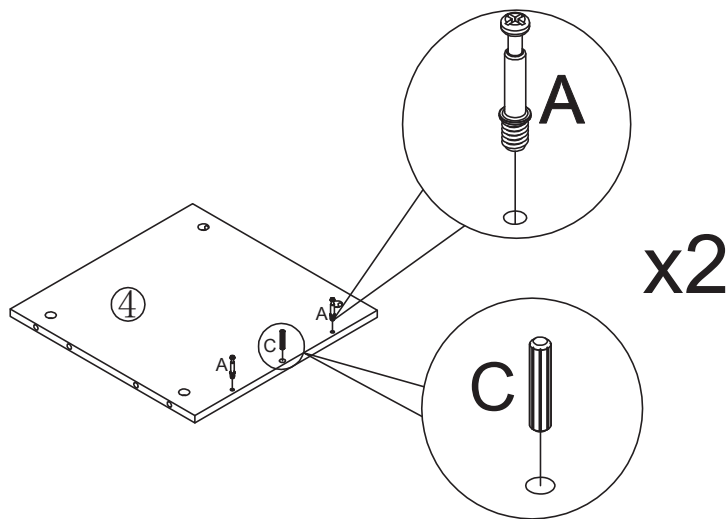
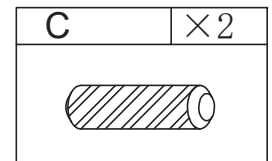
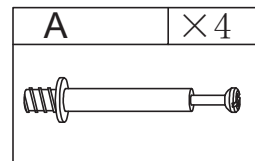
The Accessoriess



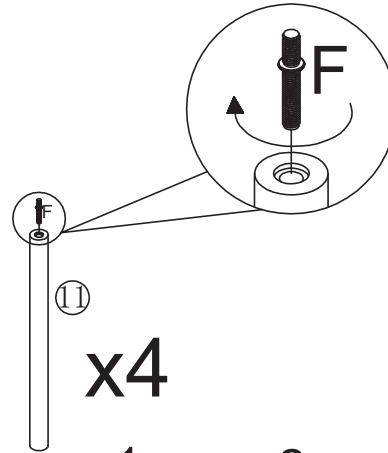
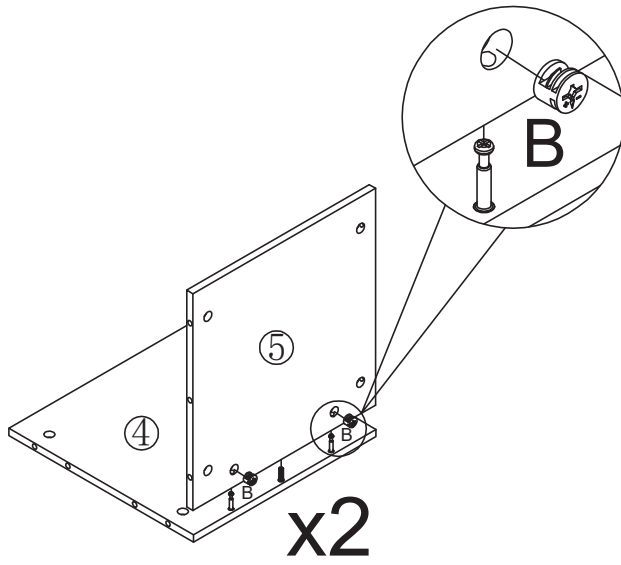
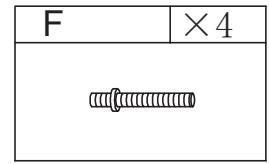
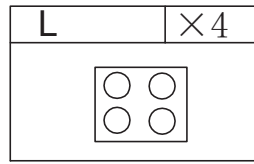
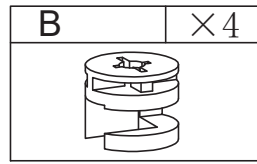
Step 1



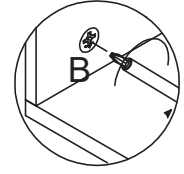
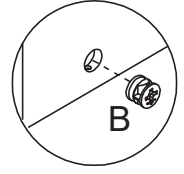
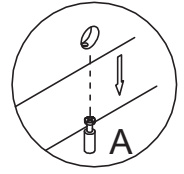
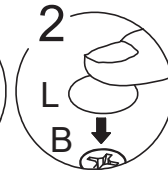
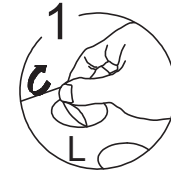
Step 2



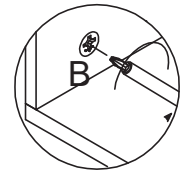
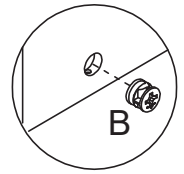
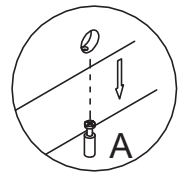
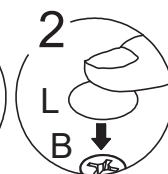
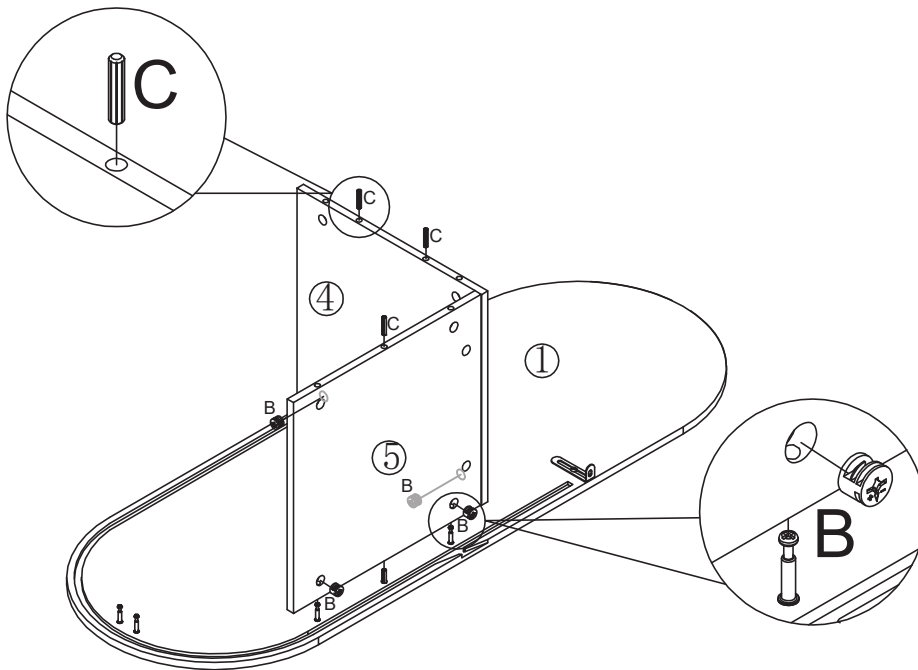
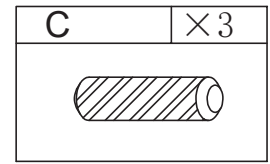
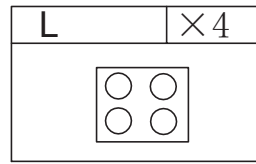
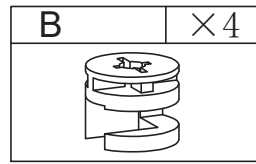
Step 3



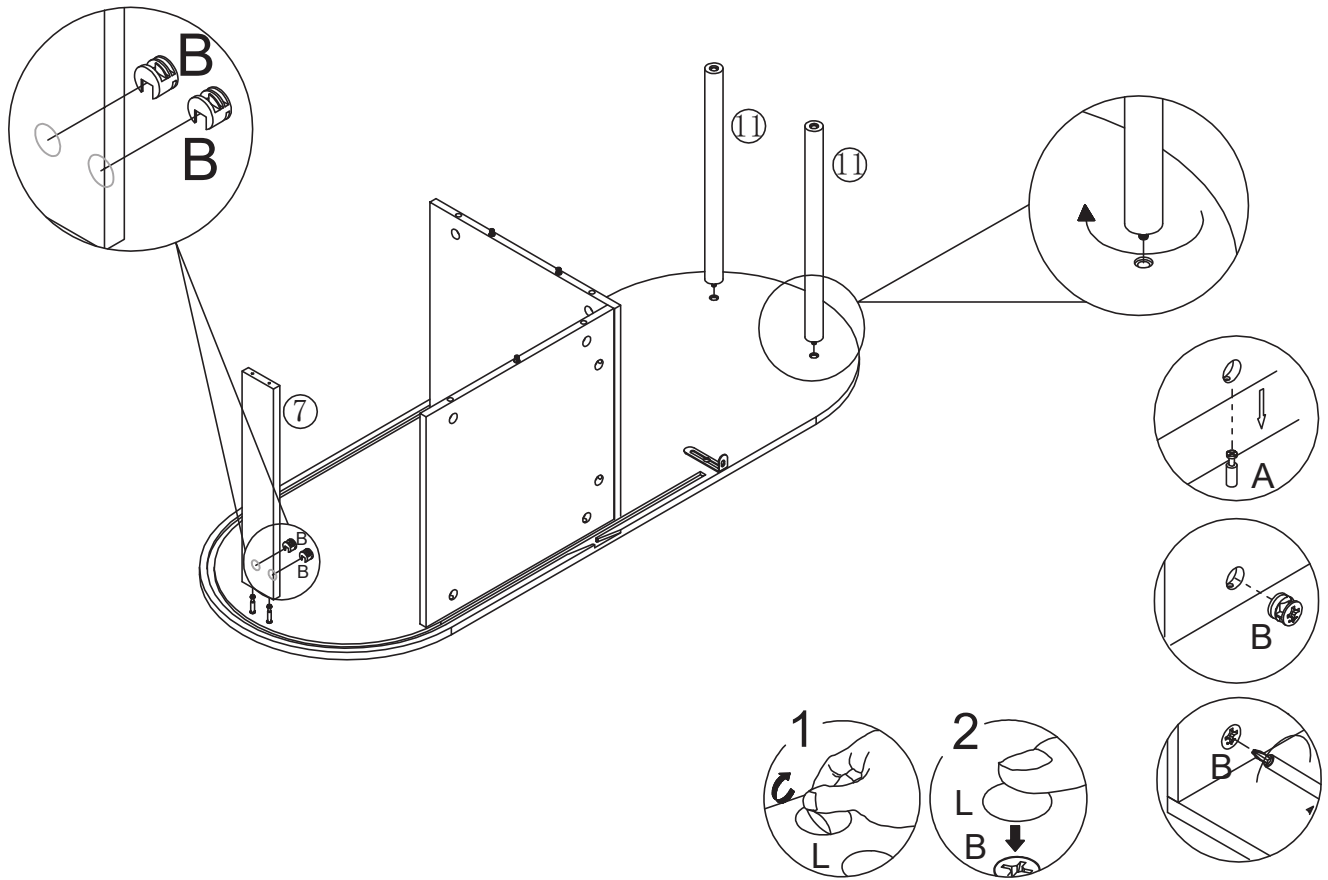
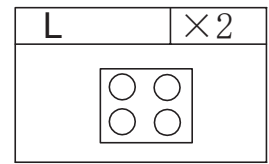
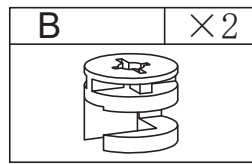
x4



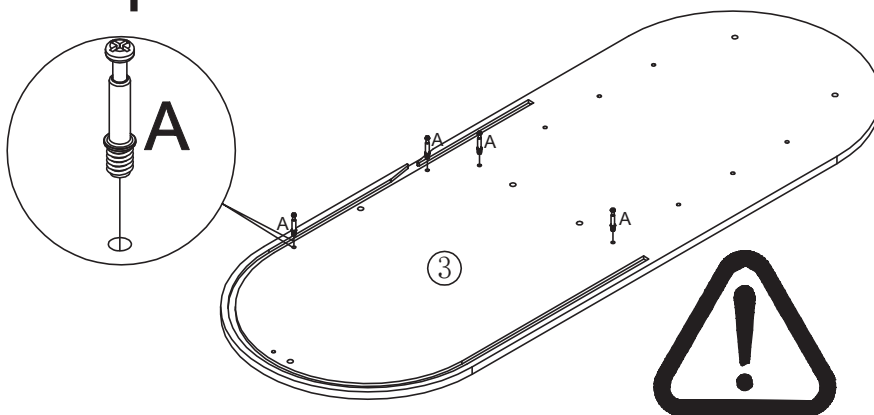
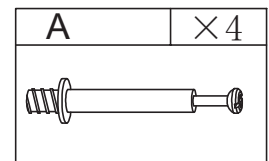
Step 4



Step 5

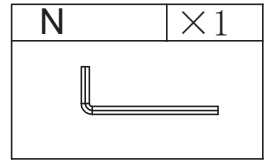
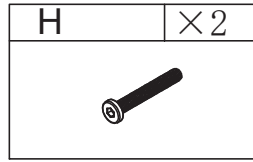
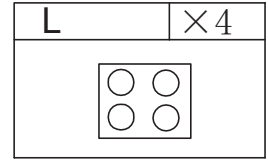
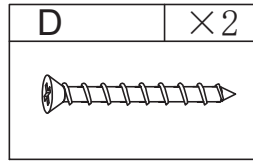
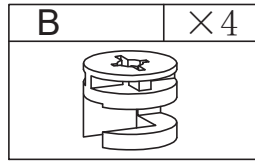


Step 6



Please pay attention to the orientation of Board 3

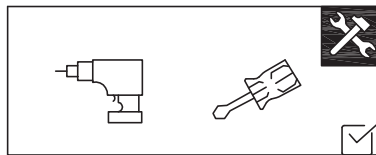
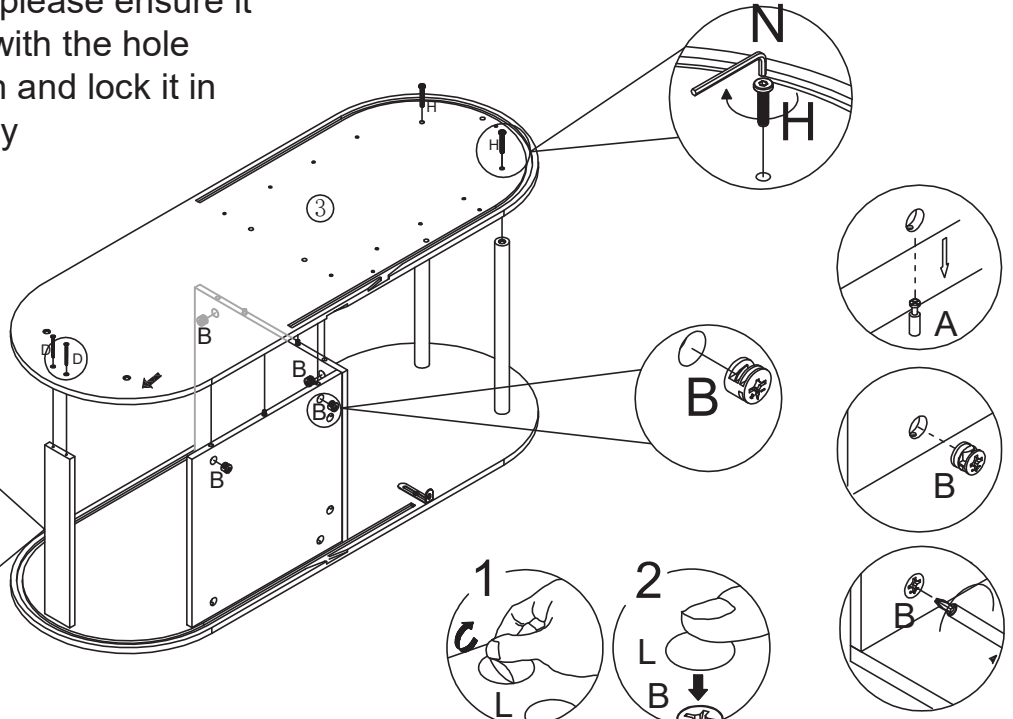
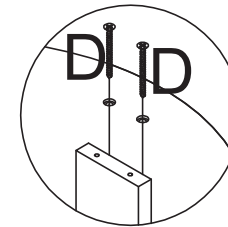
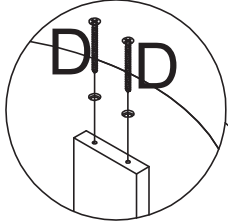
Step 7



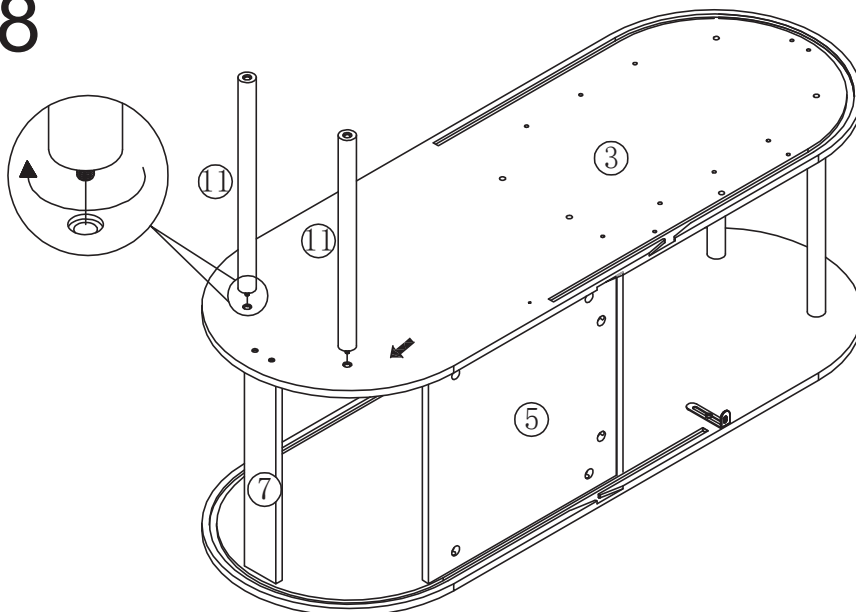
Note that the side marked with the arrow should face up



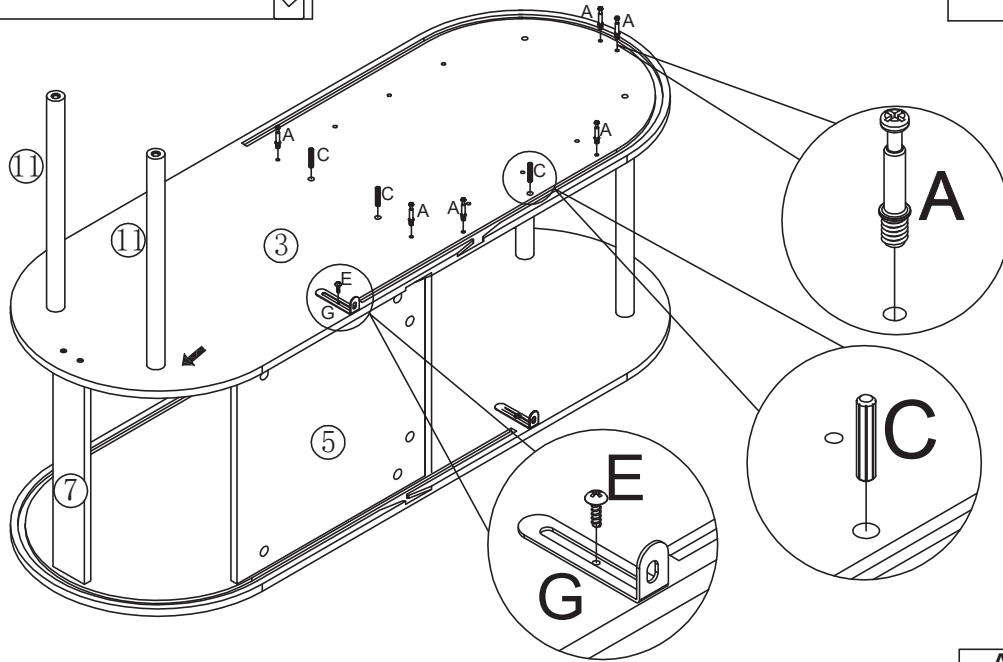
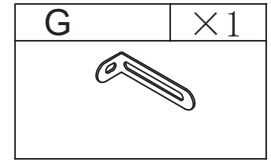
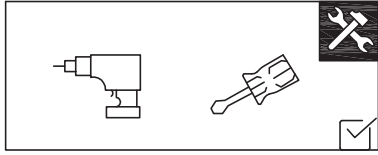
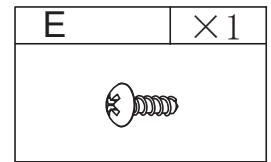
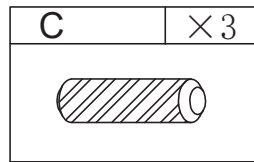
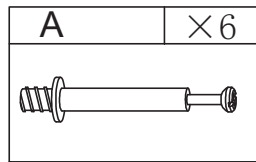
When tightening the D screw, please ensure it aligns with the hole position and lock it in carefully



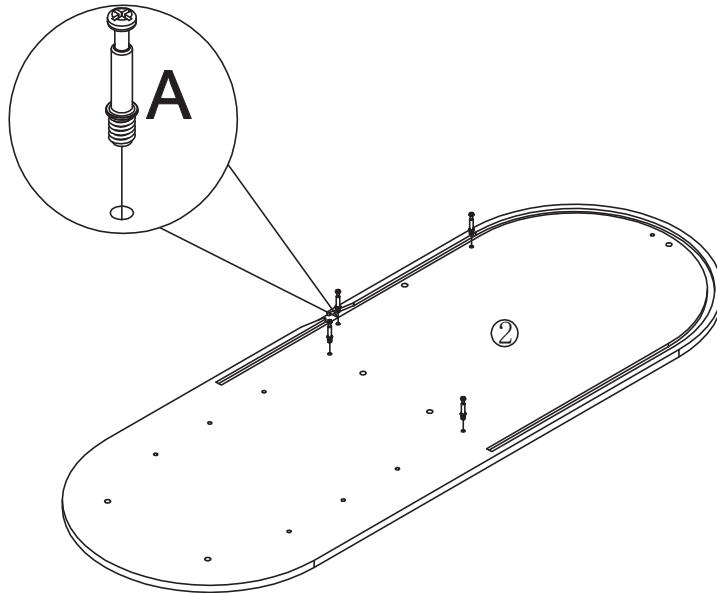
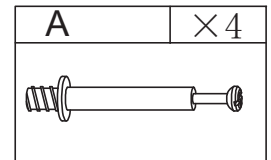
Step 8



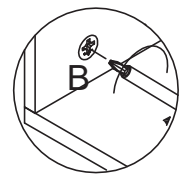
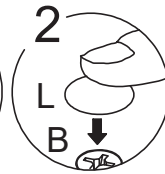
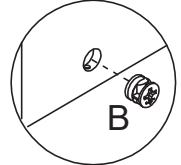
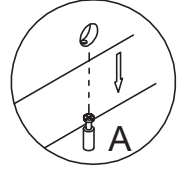
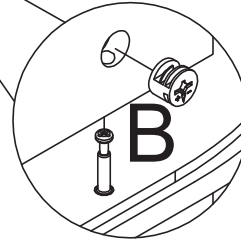
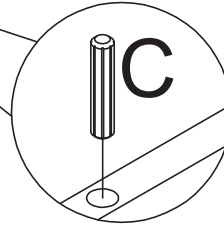
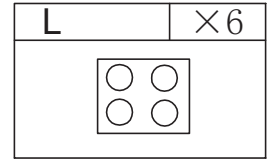
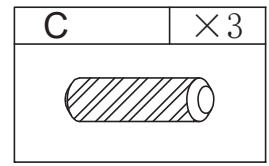
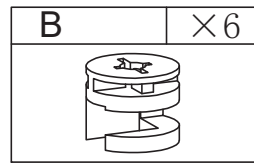
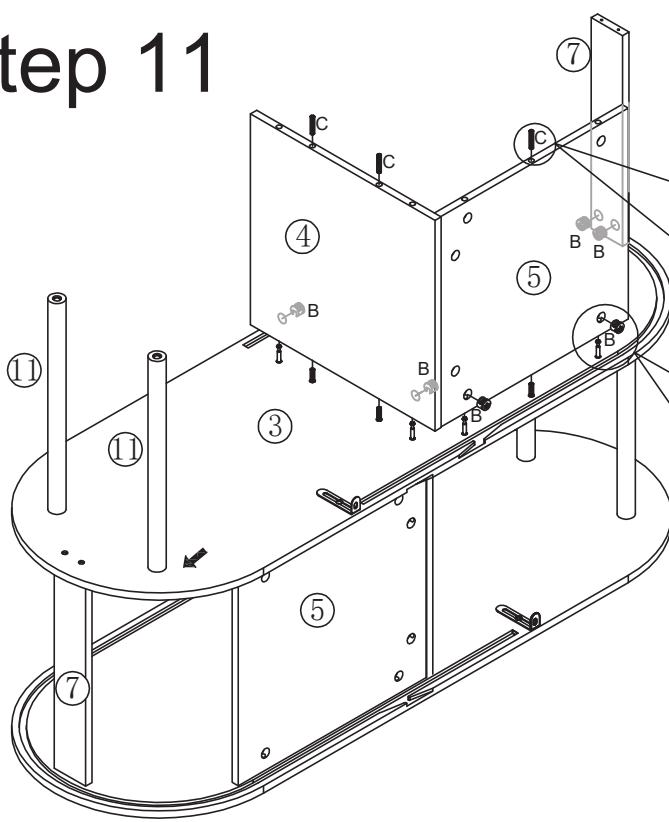
Step 9



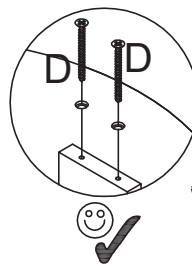
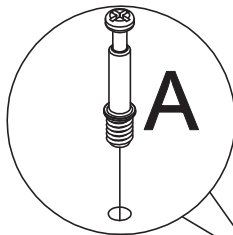
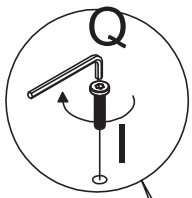
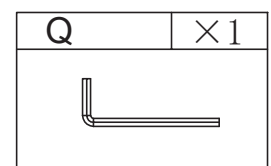
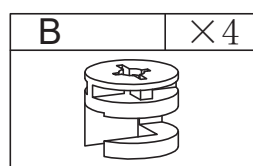
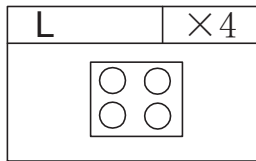
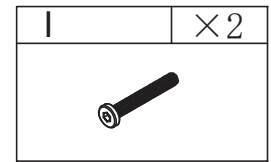
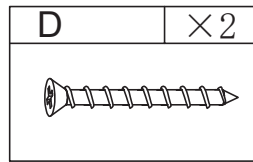
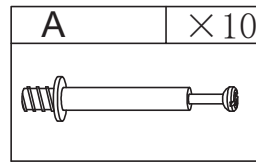
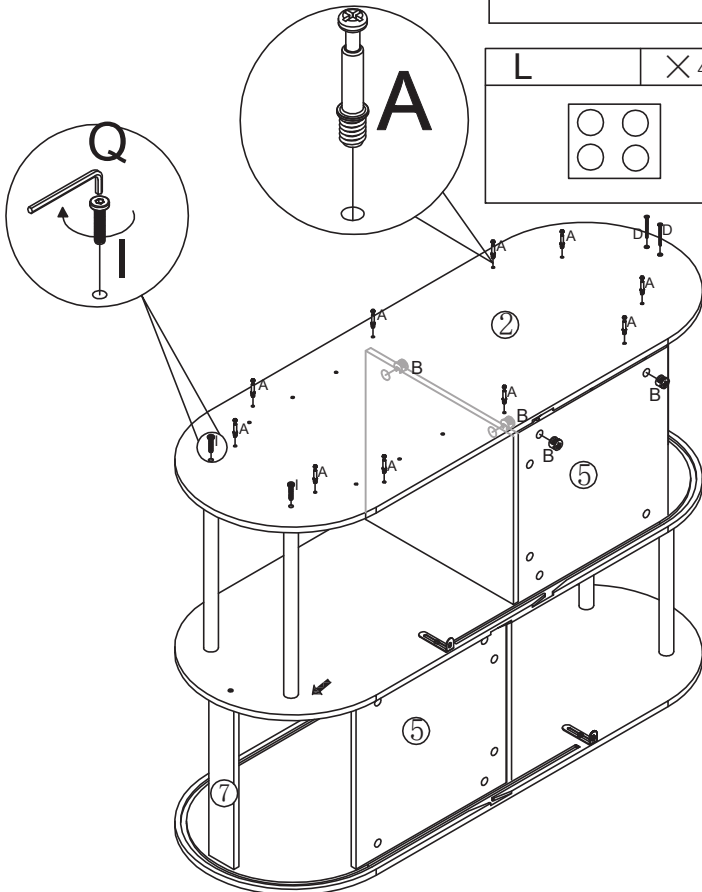
Step 10



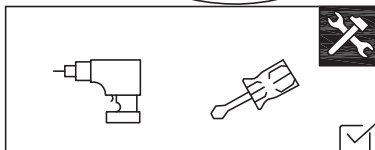
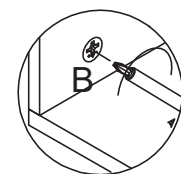
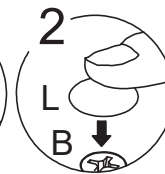
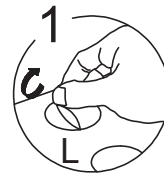
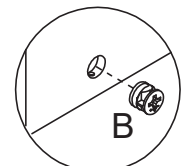
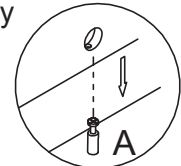
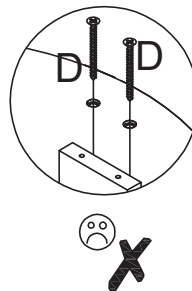
Step 11



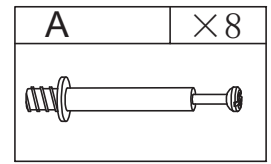
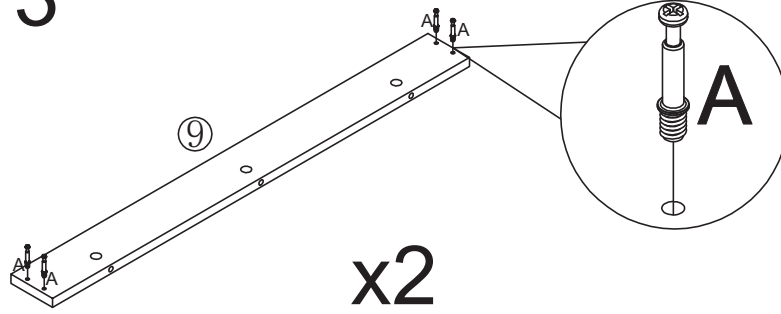
Step 12



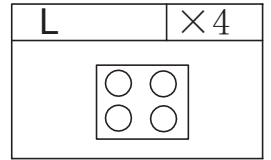
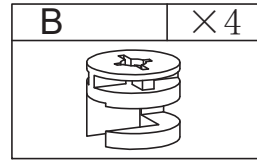
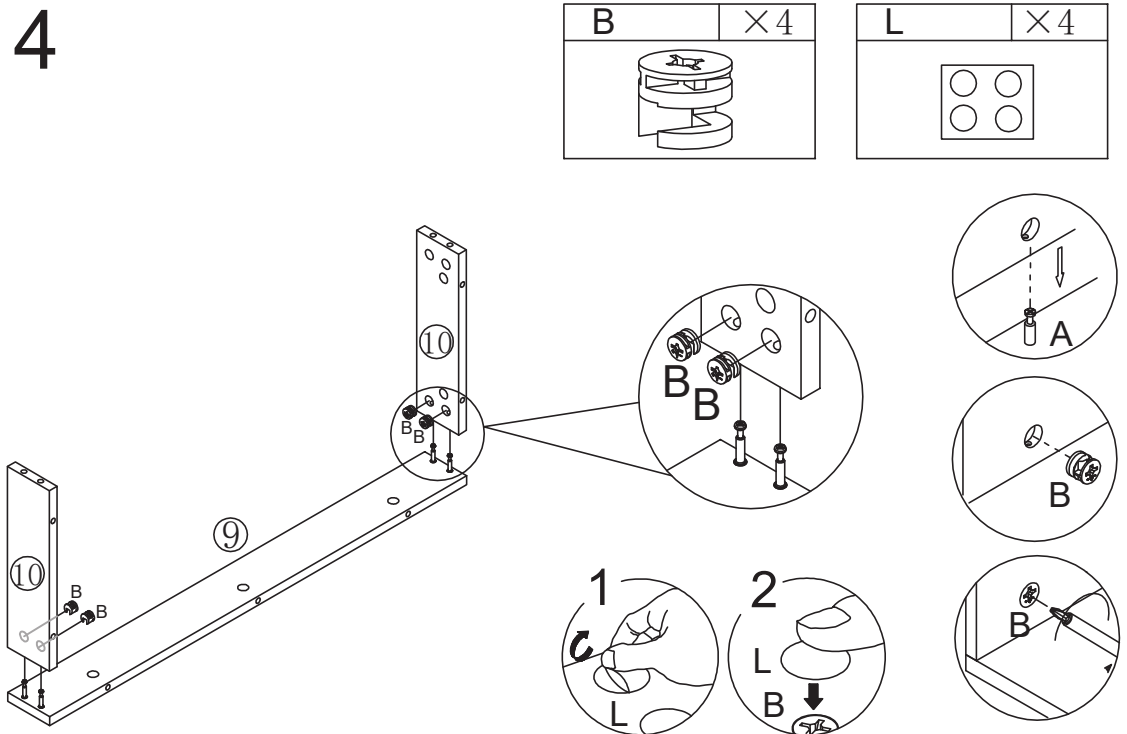
When tightening the D screw, please ensure it aligns with the hole position and lock it in carefully



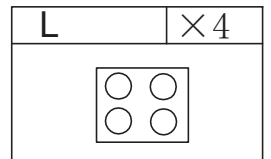
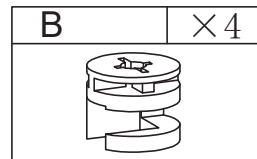
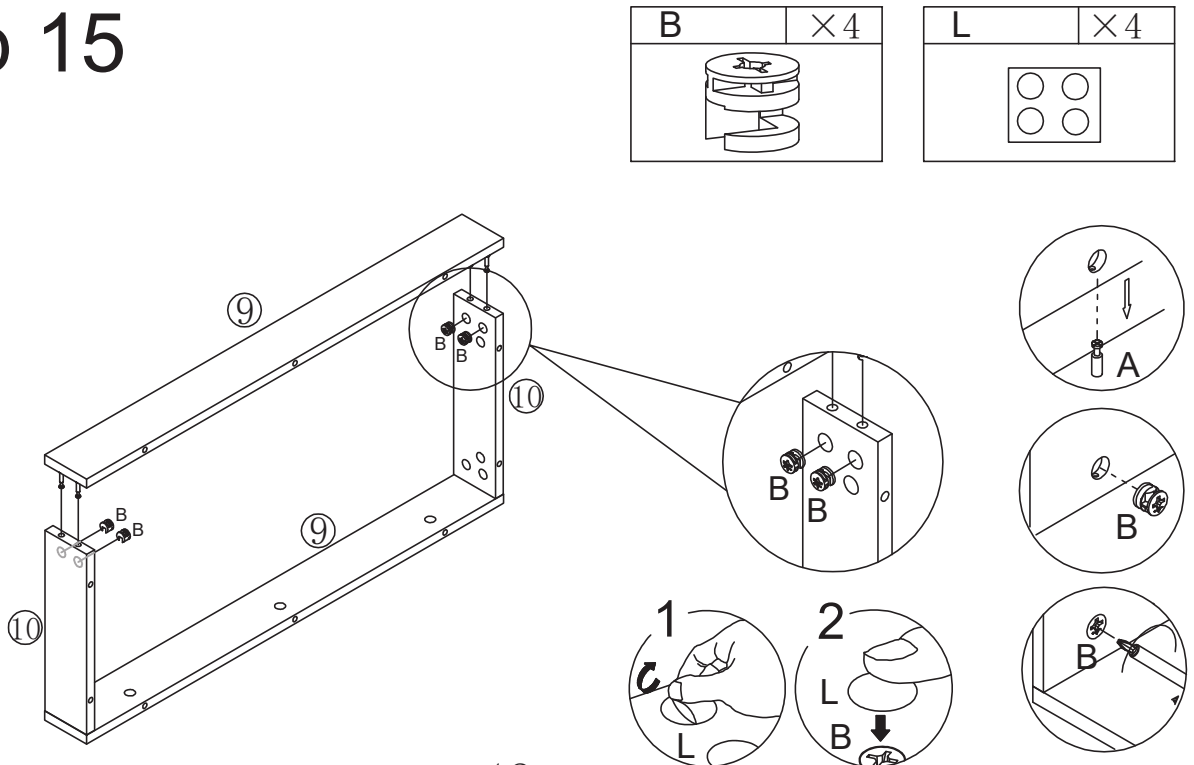
Step 13



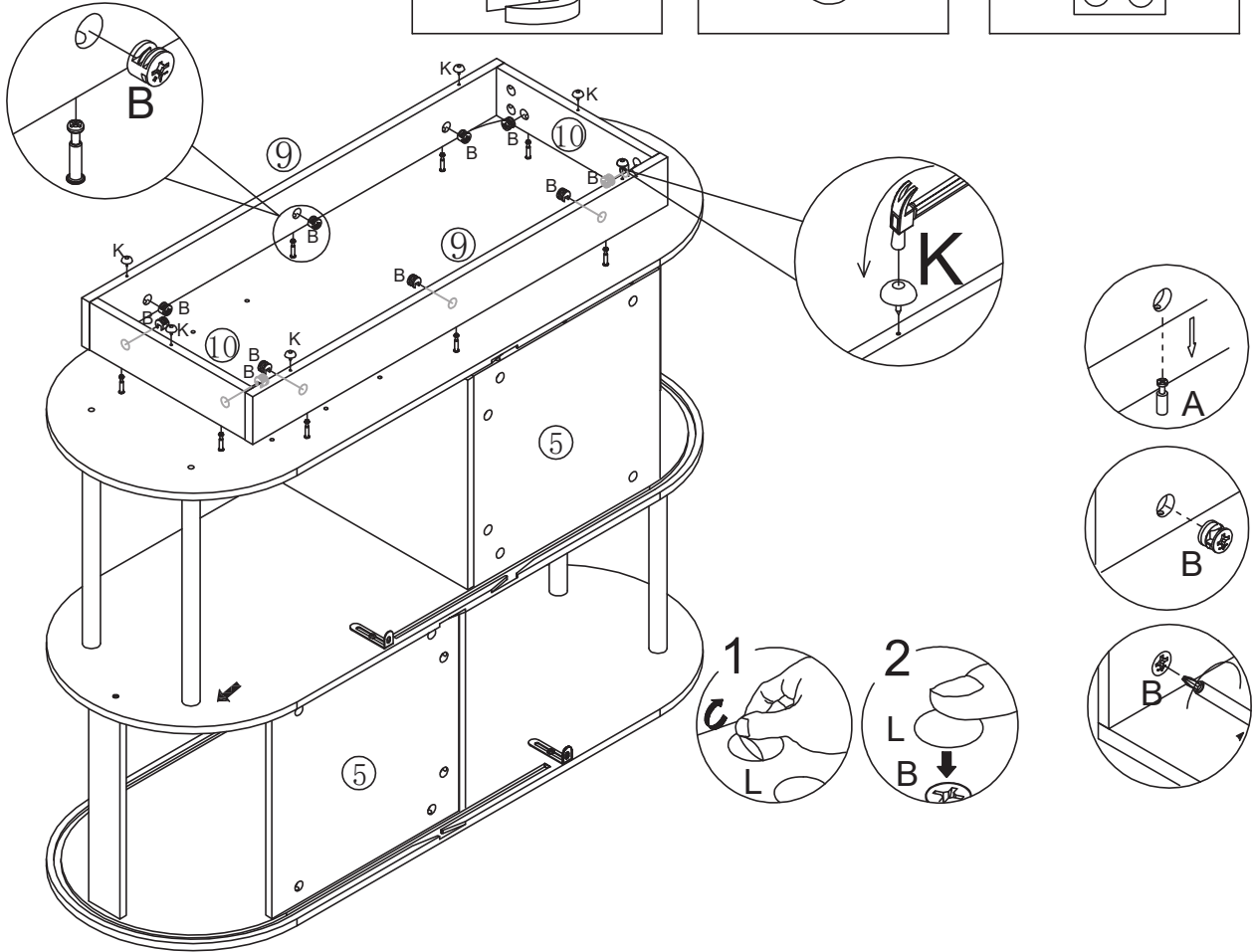
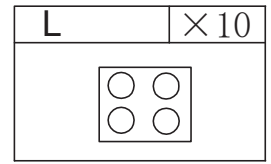
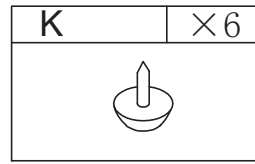
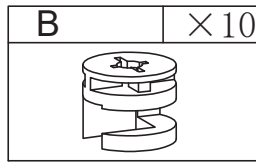
Step 14



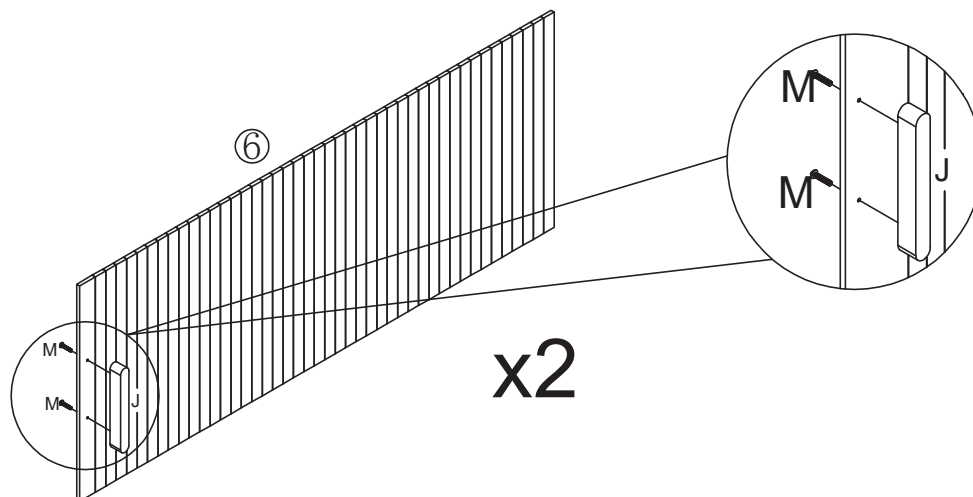
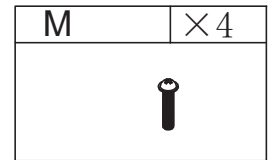
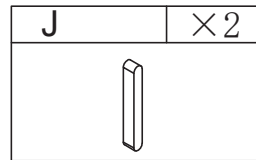
Step 15



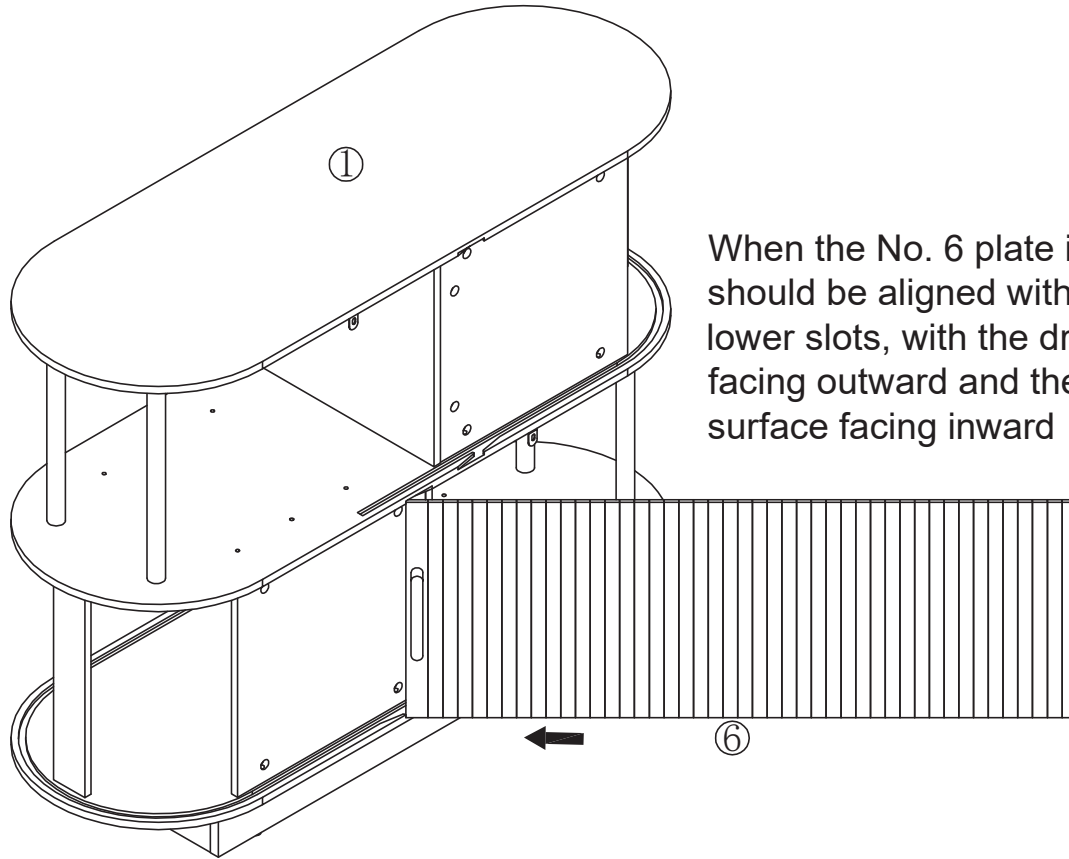
Step 16



Step 17

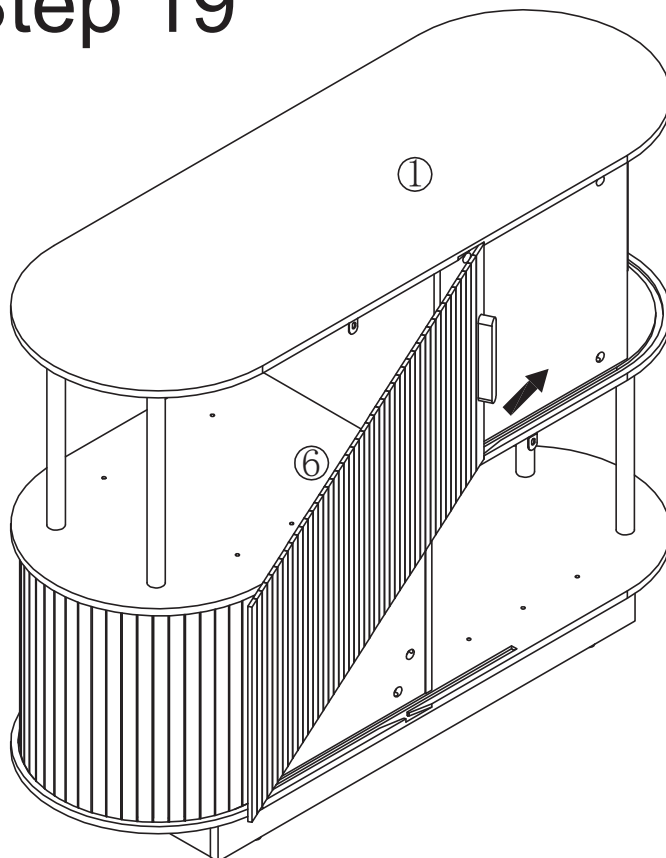


Step 18



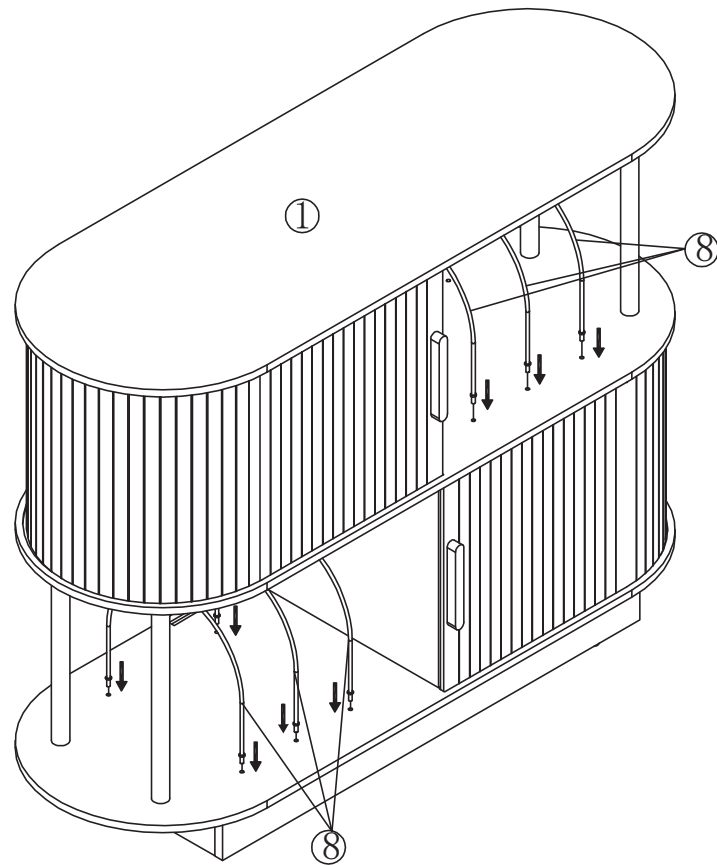
When the No. 6 plate is pushed into, it should be aligned with the upper and lower slots, with the drawing surface facing outward and the smooth surface facing inward

Step 19

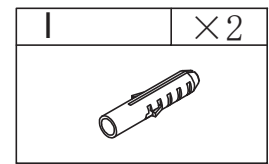
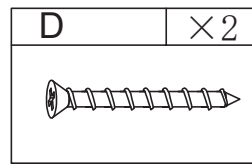


When the No. 6 plate is pushed into, it should be aligned with the upper and lower slots, with the drawing surface facing outward and the smooth surface facing inward

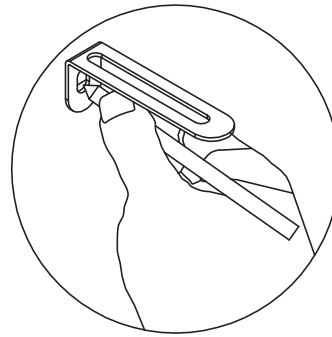
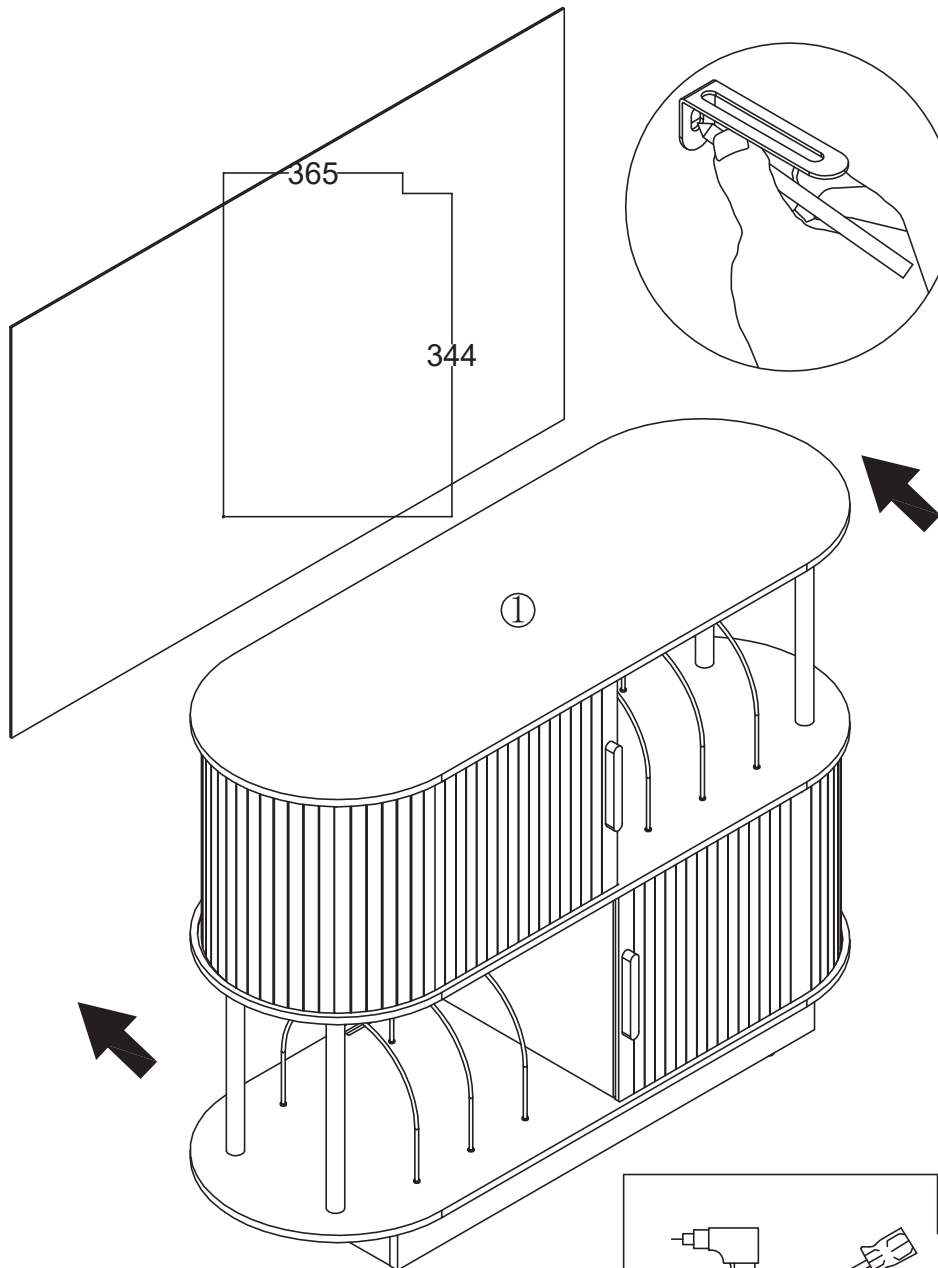
Step 20



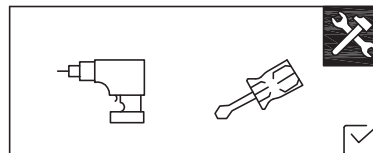
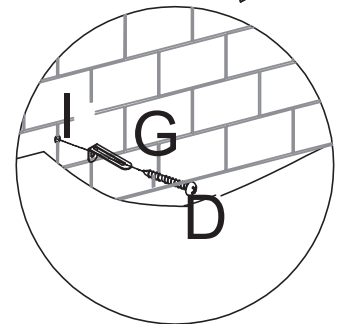
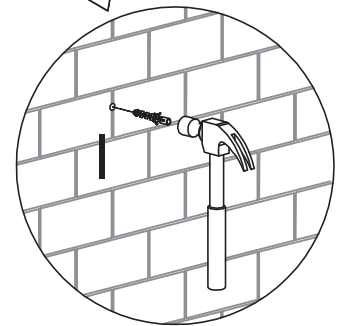
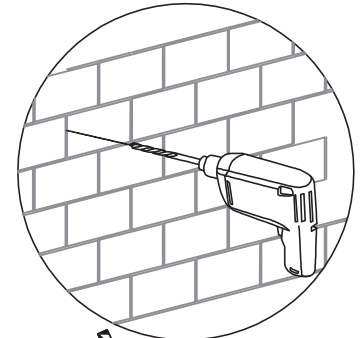
Step 21

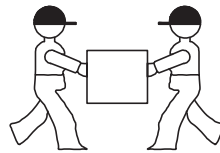
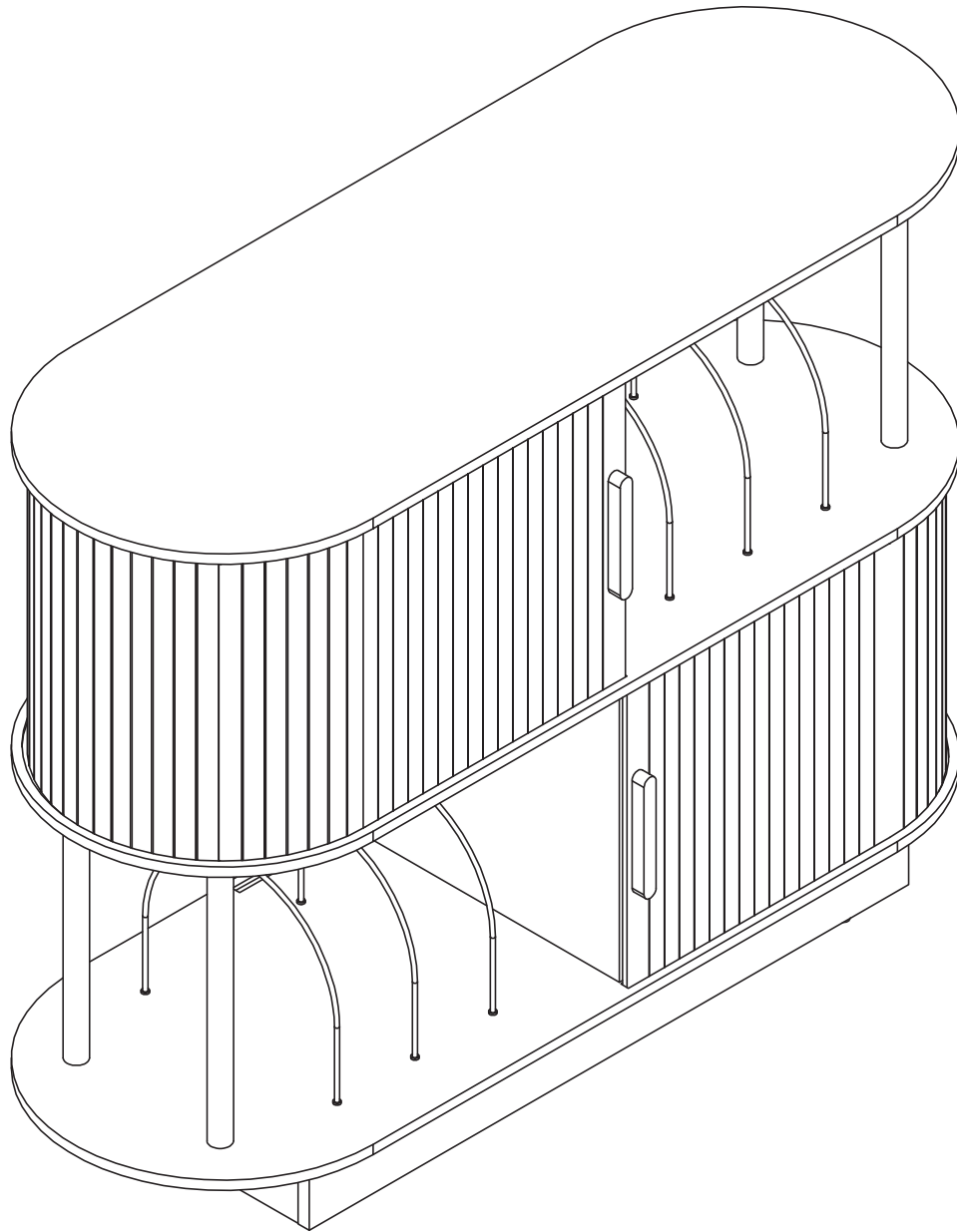


Please install the anti-tipping device correctly according to the dimensions shown in the diagram



drill hole in wall





Two people work together to move the table.
Make sure you lift it off the ground.
Don't push and pull.