



Dessliy
BARN DOORS

KNOTTY PINE DIY BARN DOOR

Instructions for assembling

Email: support@dessliy.com

Side View

A - Middle Plank



F - Central Plank



B - Left Outside Plank



G - Cross Plank



C - Right Outside Plank



X - X Plank



D - Top Plank



E - Bottom Plank



Size

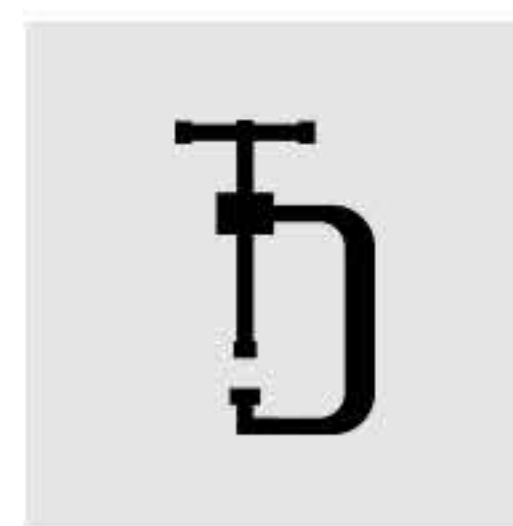
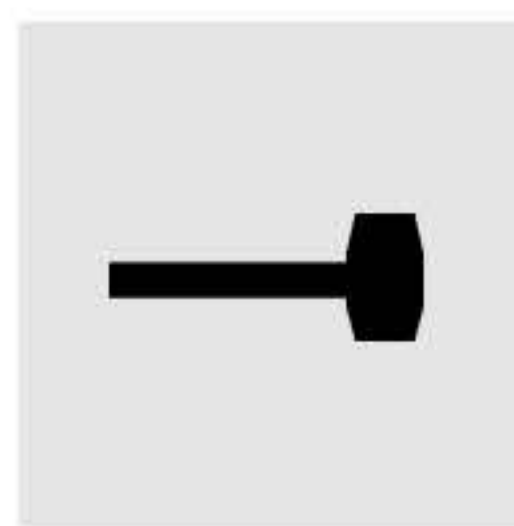
SINGLE DOOR

24" x 84" 28" x 84" 30" x 84" 36" x 84" 38" x 84" 42" x 84"

DOUBLE DOOR

48" x 84" 56" x 84" 60" x 84" 72" x 84" 76" x 84" 84" x 84"

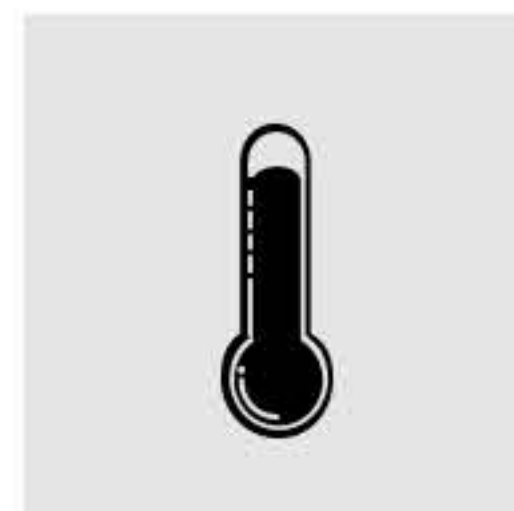
Tools Needed



Avoid



Avoid direct sunlight.

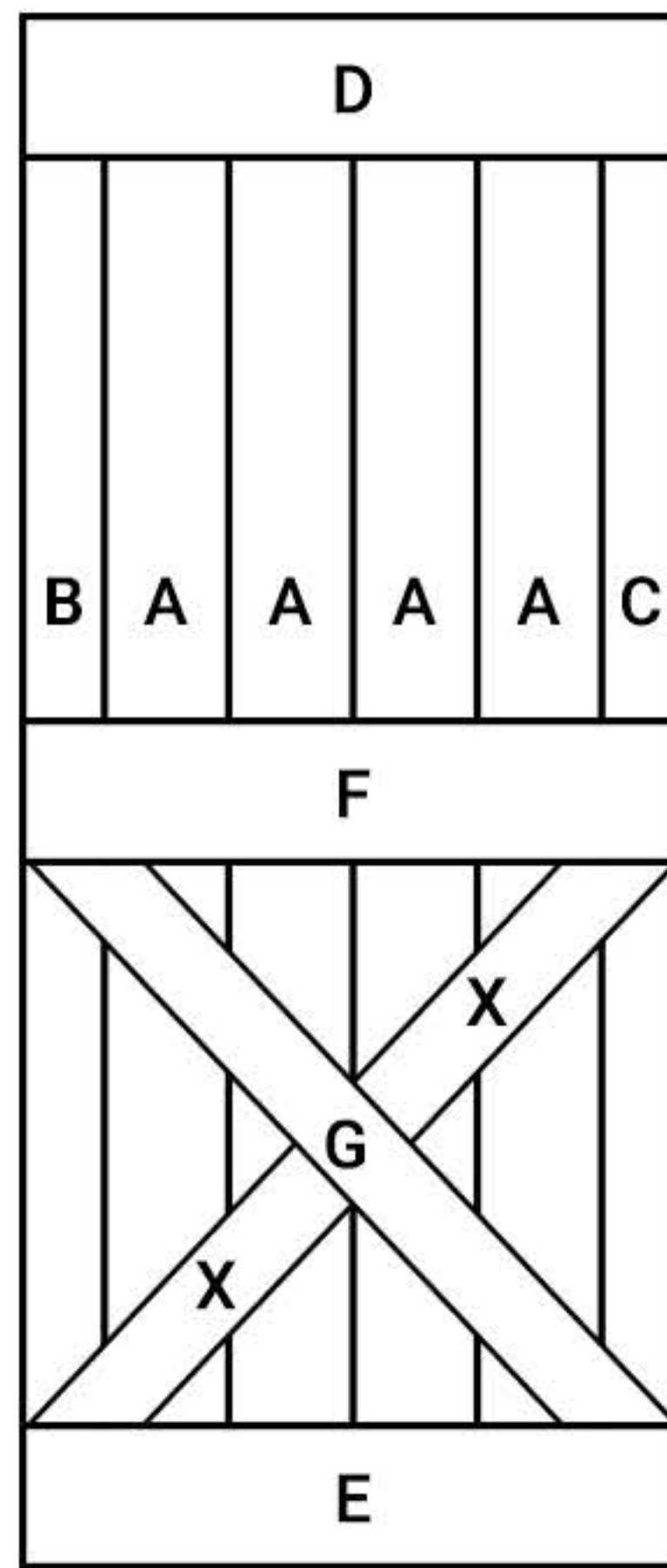


Avoid moisture.



Avoid rain.

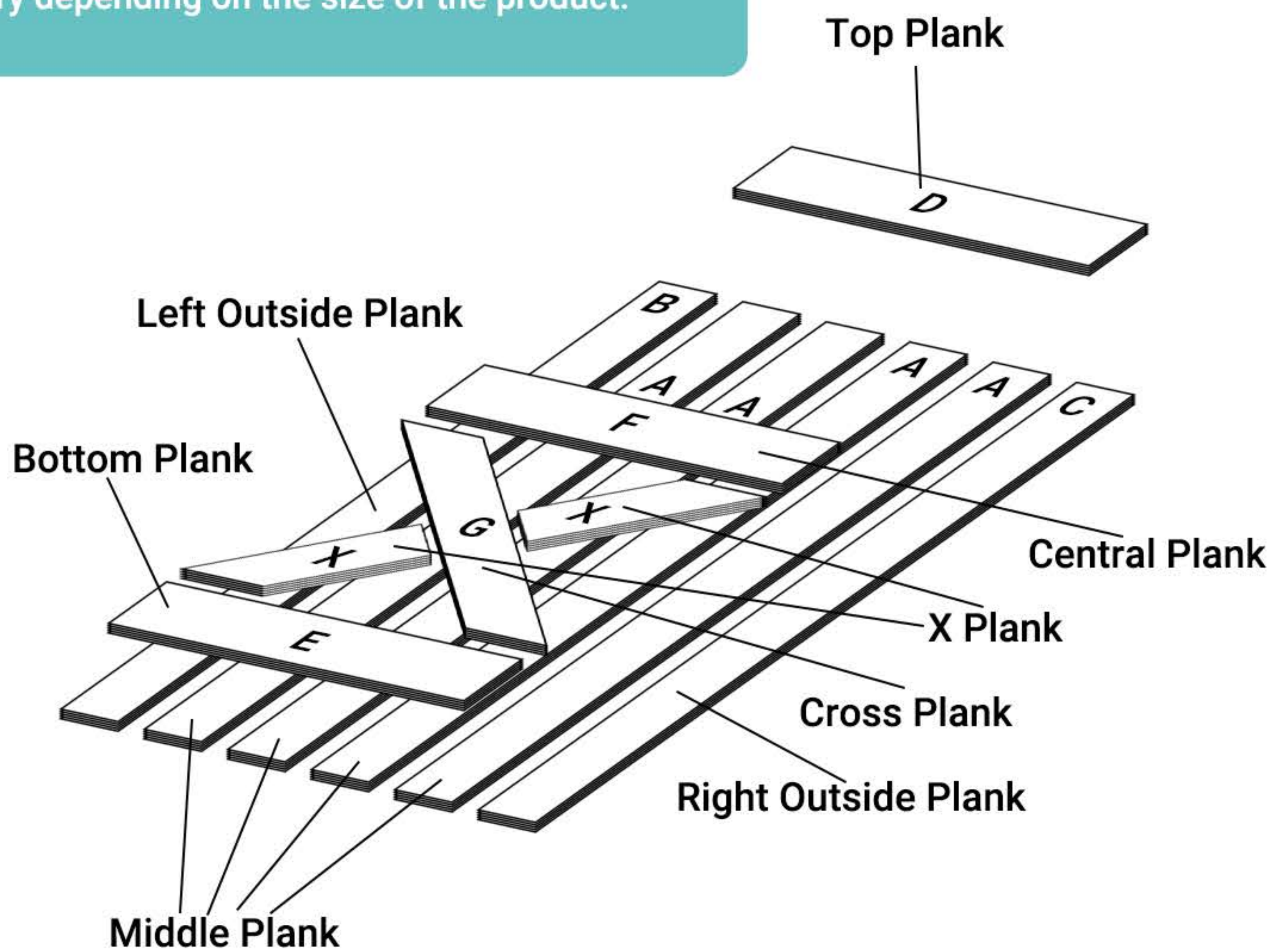
Top and Bottom X Series



Please decide the appearance before assemble.

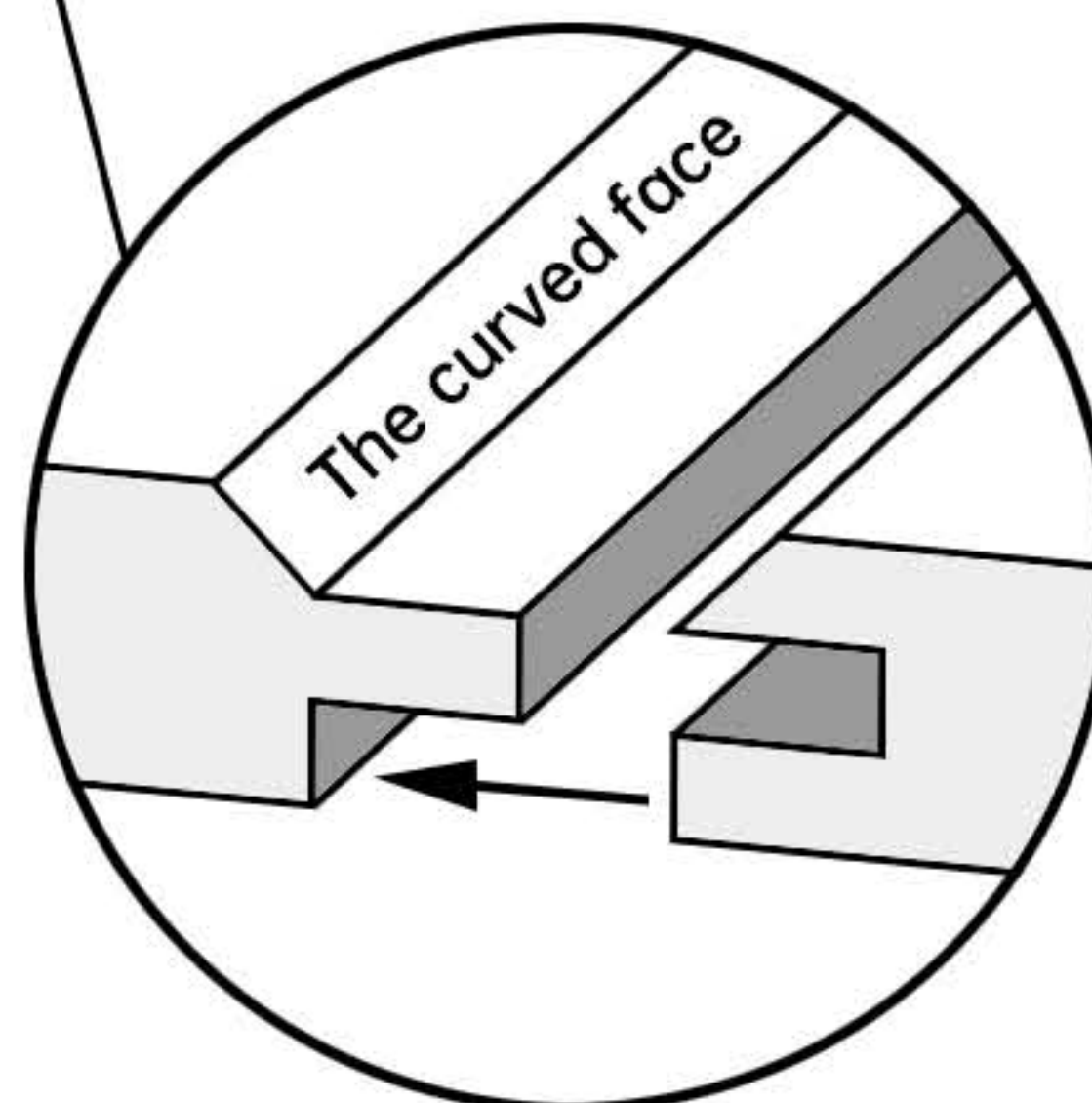
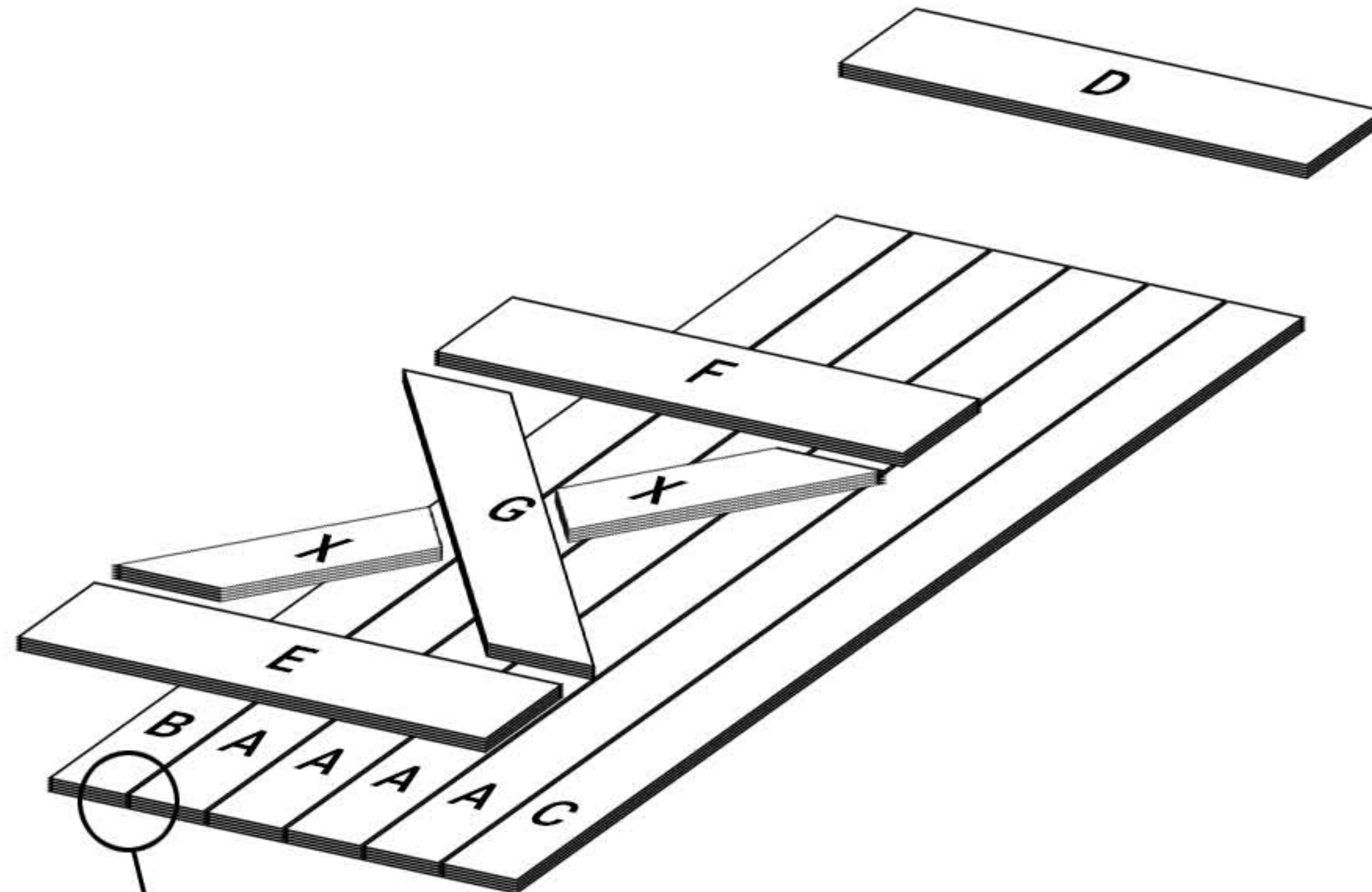
STEP 01 : Parts Included

Remarks: The quantity of middle planks will vary depending on the size of the product.



Bottom X Series

STEP 02 : Combine lower planks

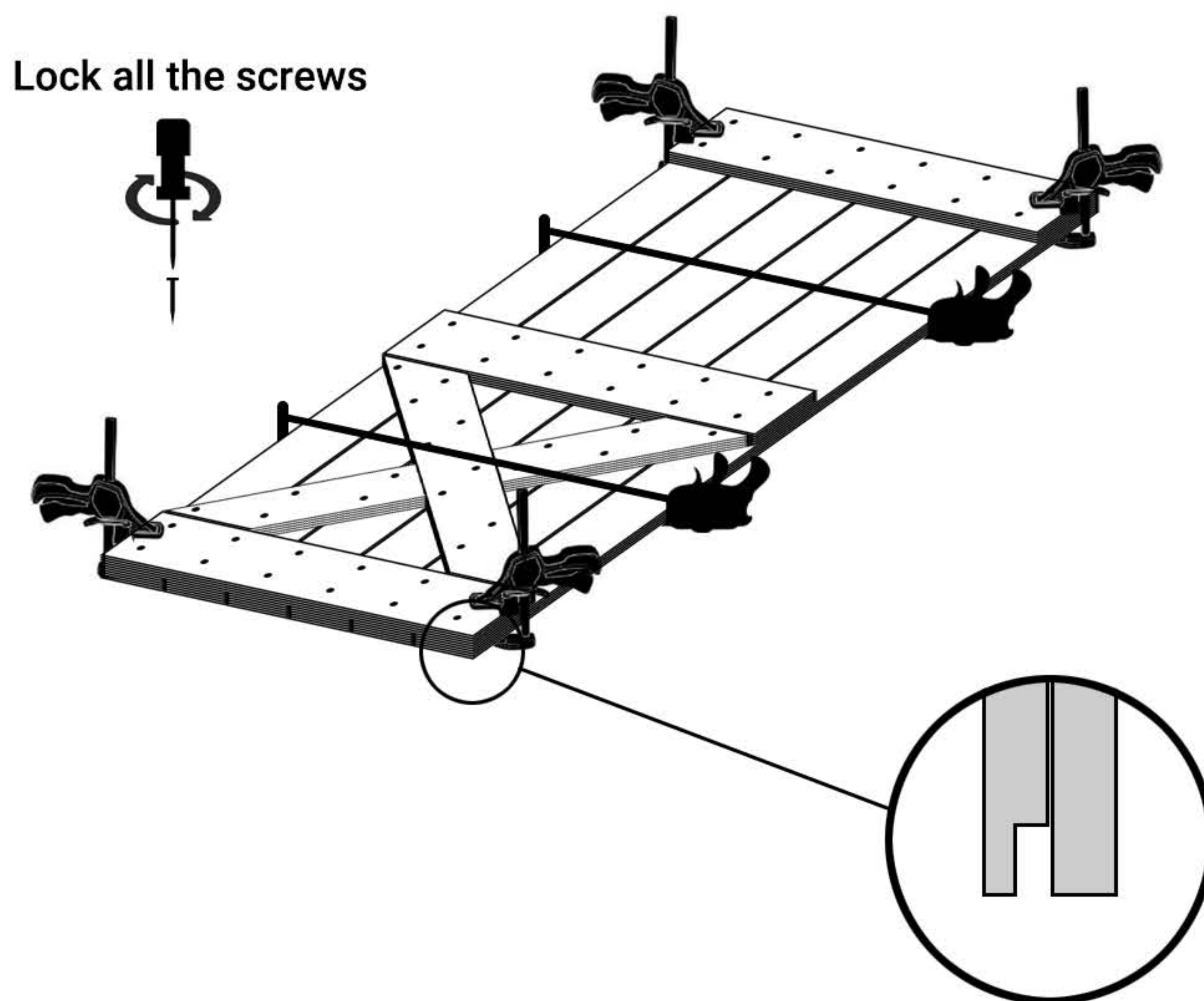


The curved face of the plank should be up.

Bottom X Series

STEP 03 : Combine upper and lower planks

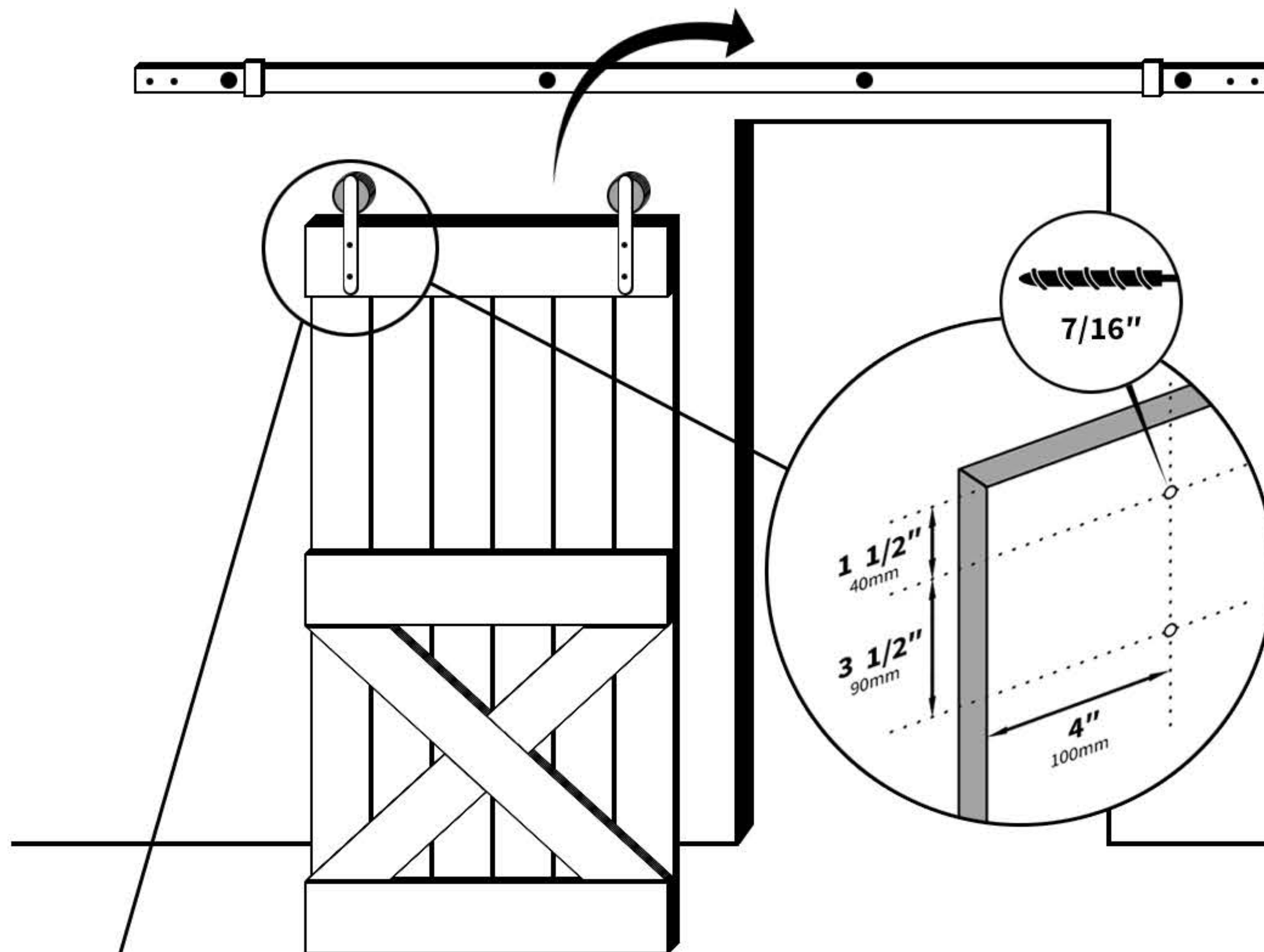
Once all planks are flush and square, secure the top and bottom planks with the screws provided. Using the clamps secure all 4 corners. With the pre-drilled holes as your guide, drill (1/8"bit) a shallow pilot hole into 4 corner holes. Do not drill completely through the door plank. Using a screwdriver insert screws into the 4 corner pre-drilled holes. Continue process with the remaining screws. Make sure all screws are installed and secure. It is important to check that all planks are still flush and square as you go.



Remarks: The quantity of screw holes and screws will vary depending on the size of the product.

Bottom X Series

STEP 04 : Installing door and track



Screw holes door hangers are not pre-drilled on door. To install door hangers, you need to drill holes on your door.