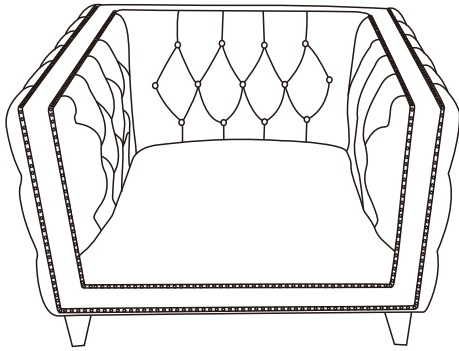
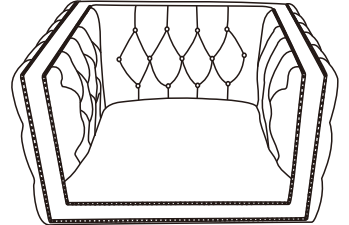


# ASSEMBLY INSTRUCTION

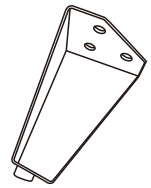


## + Parts Included

- ① CHAIR BASE  
1PC



- ② LEG  
4PCS



+ Do Not Use  
Power Tools



+ Suggested  
Adults



## NOTE:

- 1 Read instructions cover to cover.
- 2 Save all packaging until assembly is completed.

## 1 IMPORTANT SAFETY INFORMATION

**Do not** assemble the product if any of the following parts arrived damaged:

- Part # - Chair Base
- Part # - leg

**Do not** assemble if any of the following Hardware parts missing:

- Part # - Allen Wrench
- Part # - Bolt
- Part # - Washer

## 2 IMPORTANT ASSEMBLY INFORMATION

**Assembly Step** If loosening persists, please make sure to tighten all the bolts periodically, or use a thread locker adhesive.

## + Hardware Included

- A** ALLEN WRENCH  $\varnothing 5/16$ \*60MM 1PC      **B** BOLT M6\*25MM 12PCS

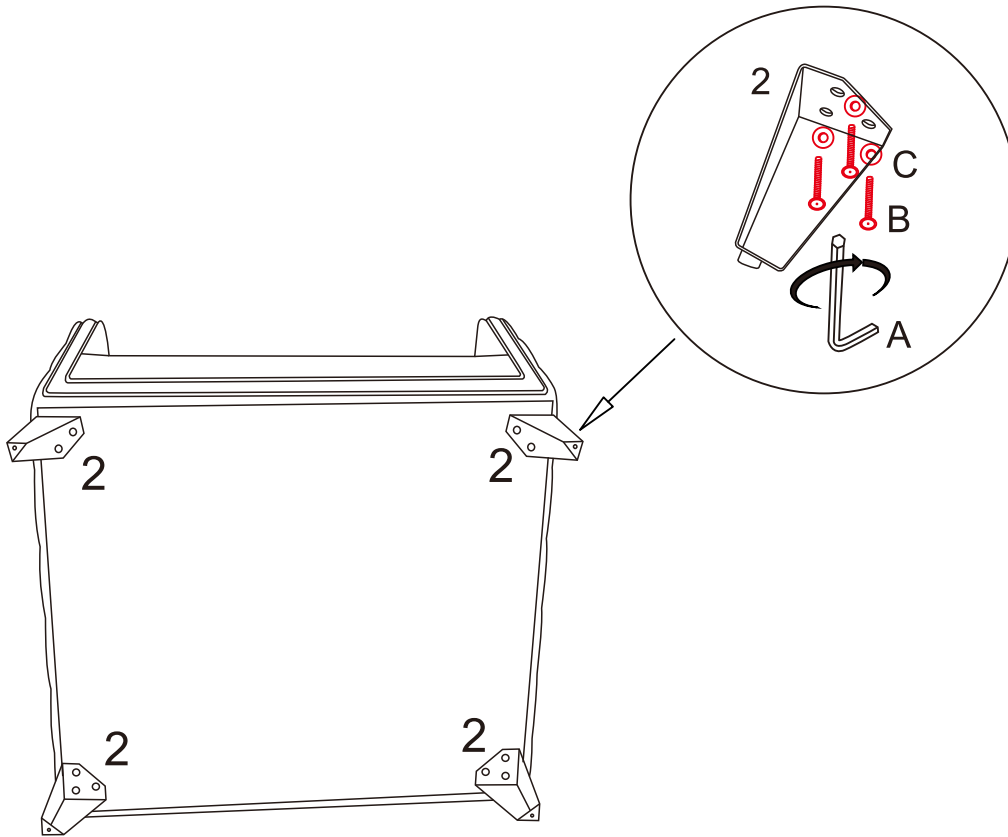


- C** WASHER M6\*16MM 12PCS



# ASSEMBLY INSTRUCTION

1



2

