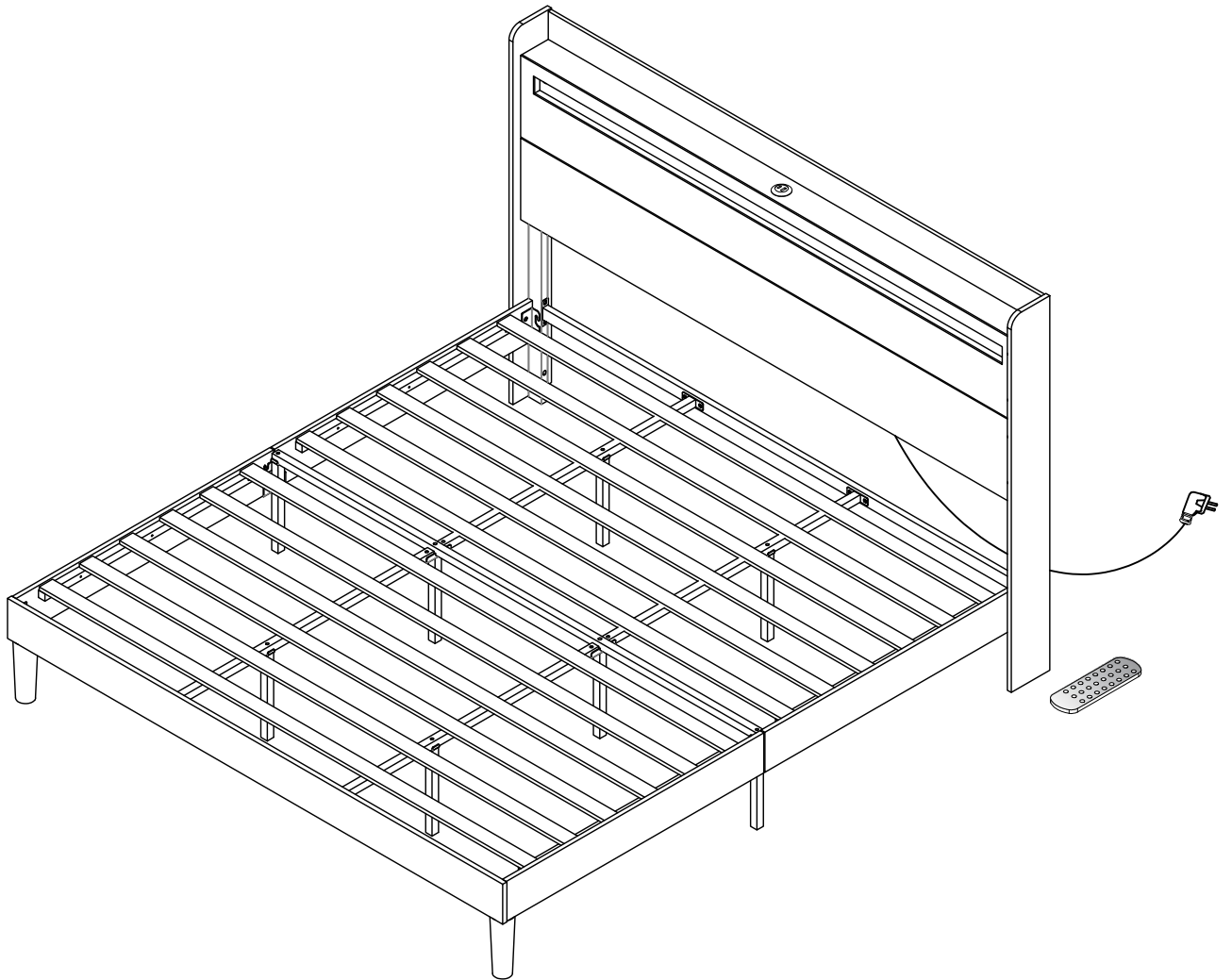


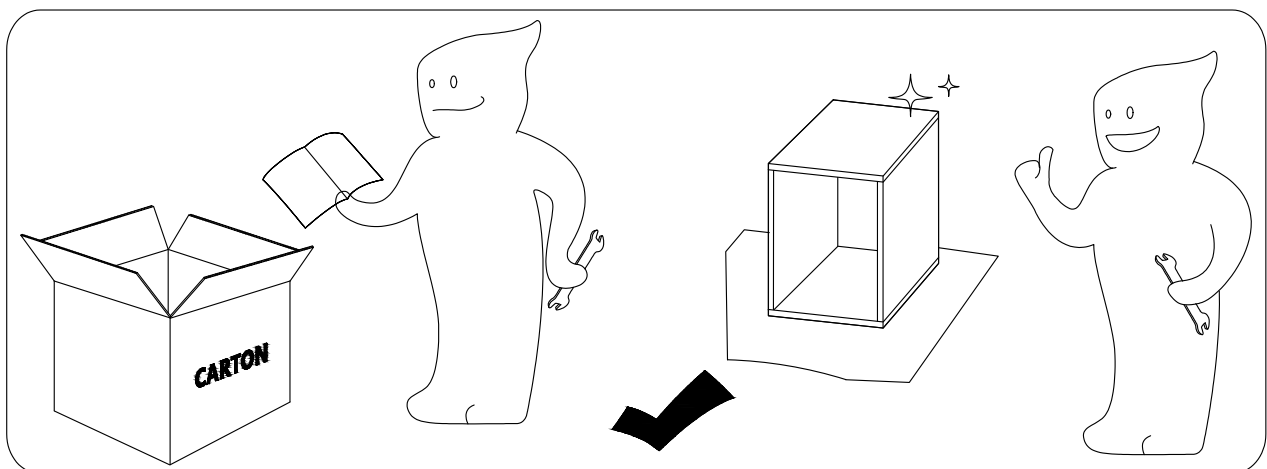
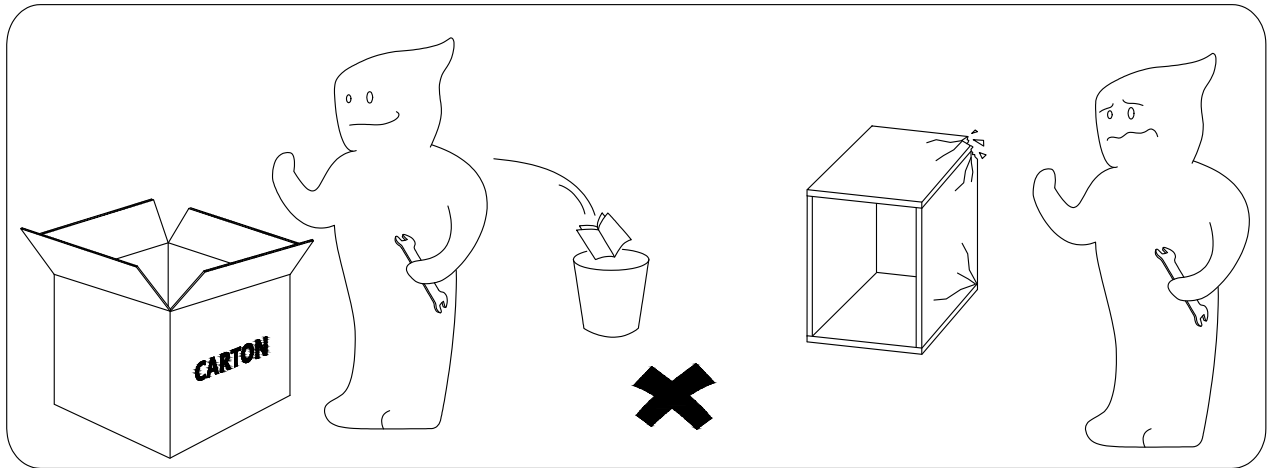
ASSEMBLY INSTRUCTIONS



Dear Customers,
Thank you for purchasing our product. Please read this instruction manual carefully after receiving this product. It will help you assemble this product quickly, safely and correctly. You can keep this manual for future reference.

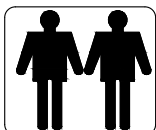
! IMPORTANT

Please follow the instruction manuals and use a pad to protect the product during your assembly.

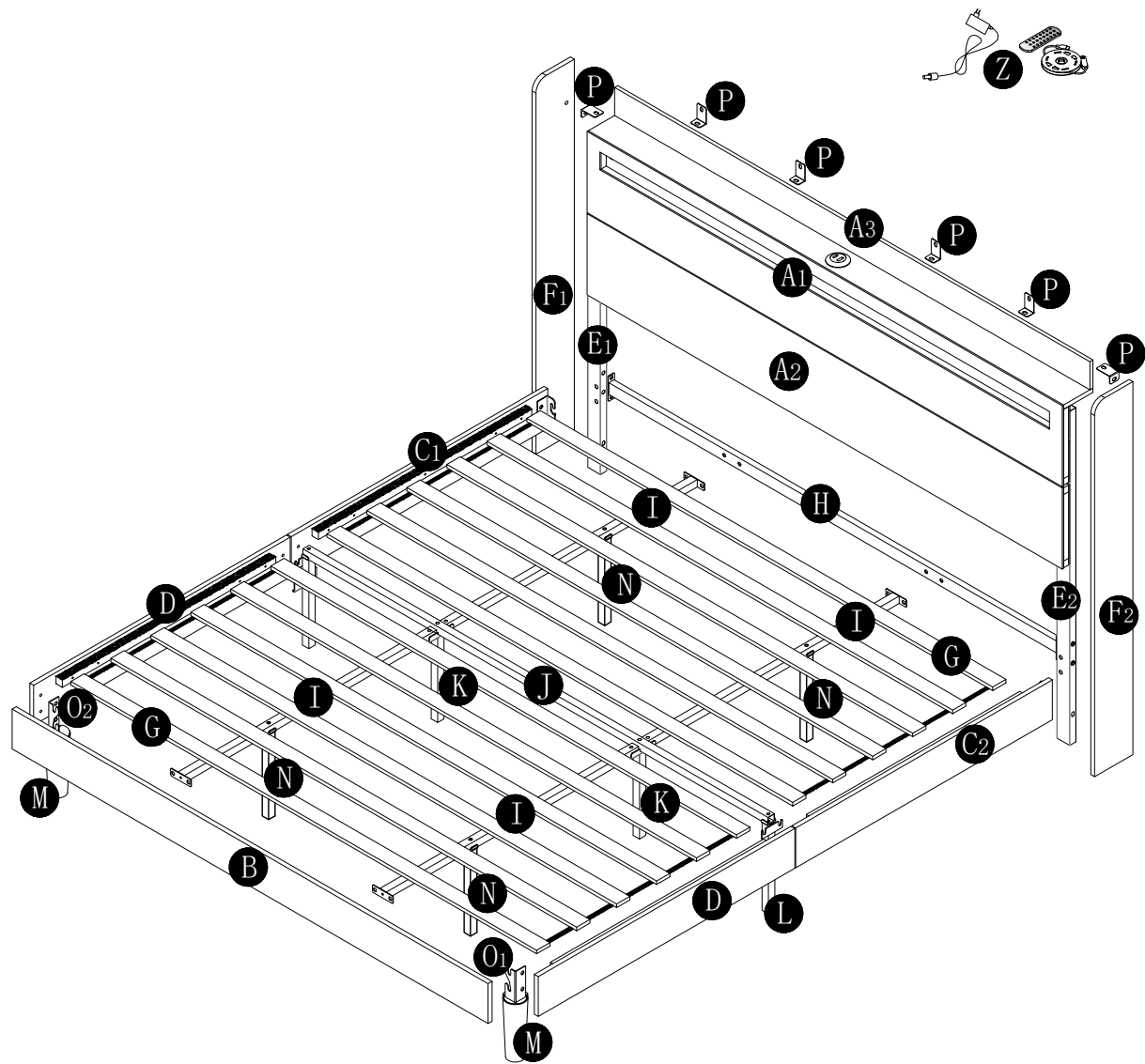


Note:

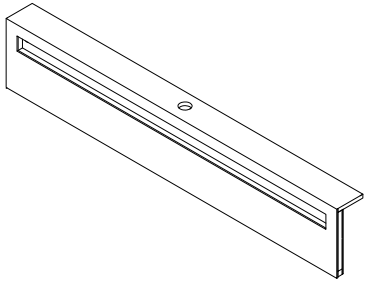
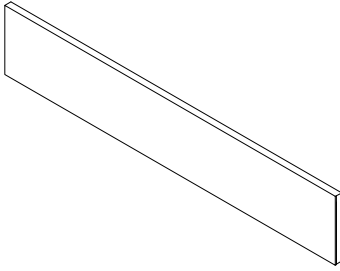
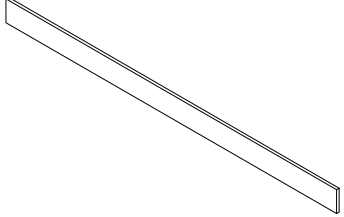
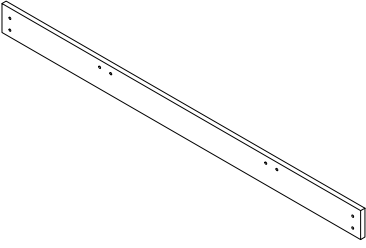
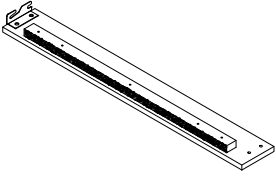
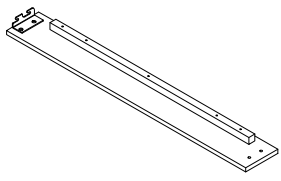
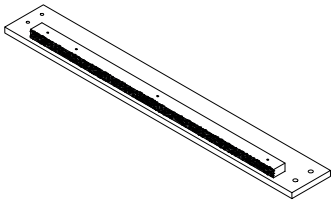
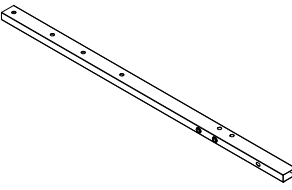
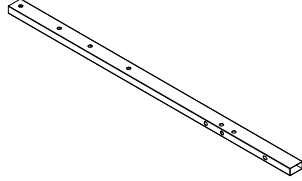
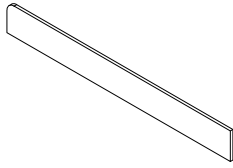
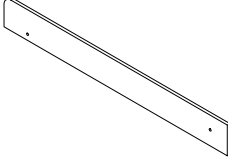
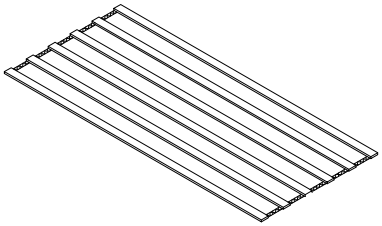
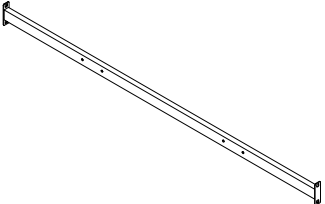
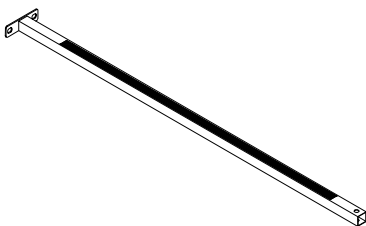
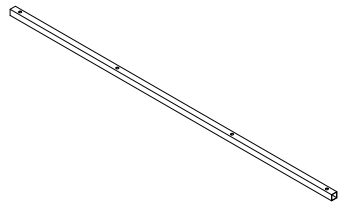
1. Should be assembled on flat ground to keep balance.
2. Before completing the installation, do not tighten the screws.



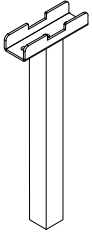
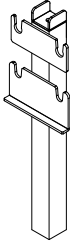


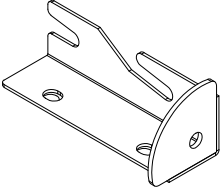
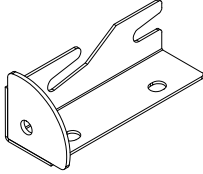
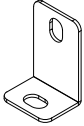
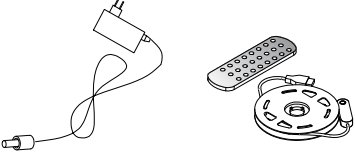
For easier and better assembly, 2 or more adults are required.



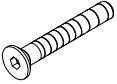
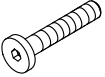
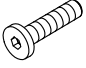




Part list

A1	1PC	A2	1PC	A3	1PC
					
B	1PC	C1	1PC	C2	1PC
					
D	2PCS	E1	1PC	E2	1PC
					
F1	1PC	F2	1PC	G	2PCS
					
H	1PC	I	4PCS	J	1PC
					


Part list

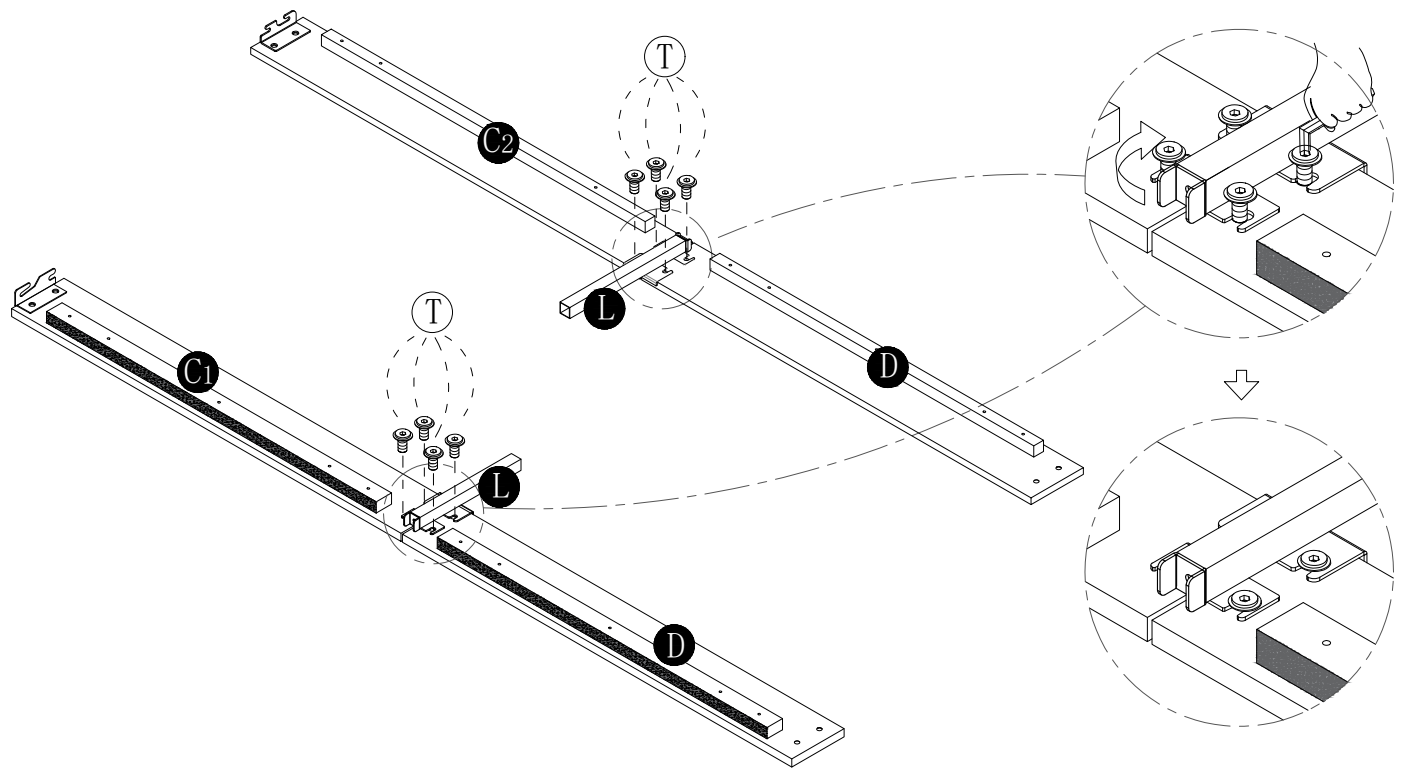
K	2PCS	L	2PCS	M	2PCS
					
N	4PCS	O1	1PC	O2	1PC
					
P	6PCS	Z	1PC		
					

Hardware list


W	2PCS	Q	14PCS	R	10PCS	S	4PCS
							
M8*65mm		M8*50mm		M8*40mm		M8*28mm	
T	36PCS	U	22PCS	X	1PC		
							
M8*18mm		Ø22*2.0		M8 Spanner			

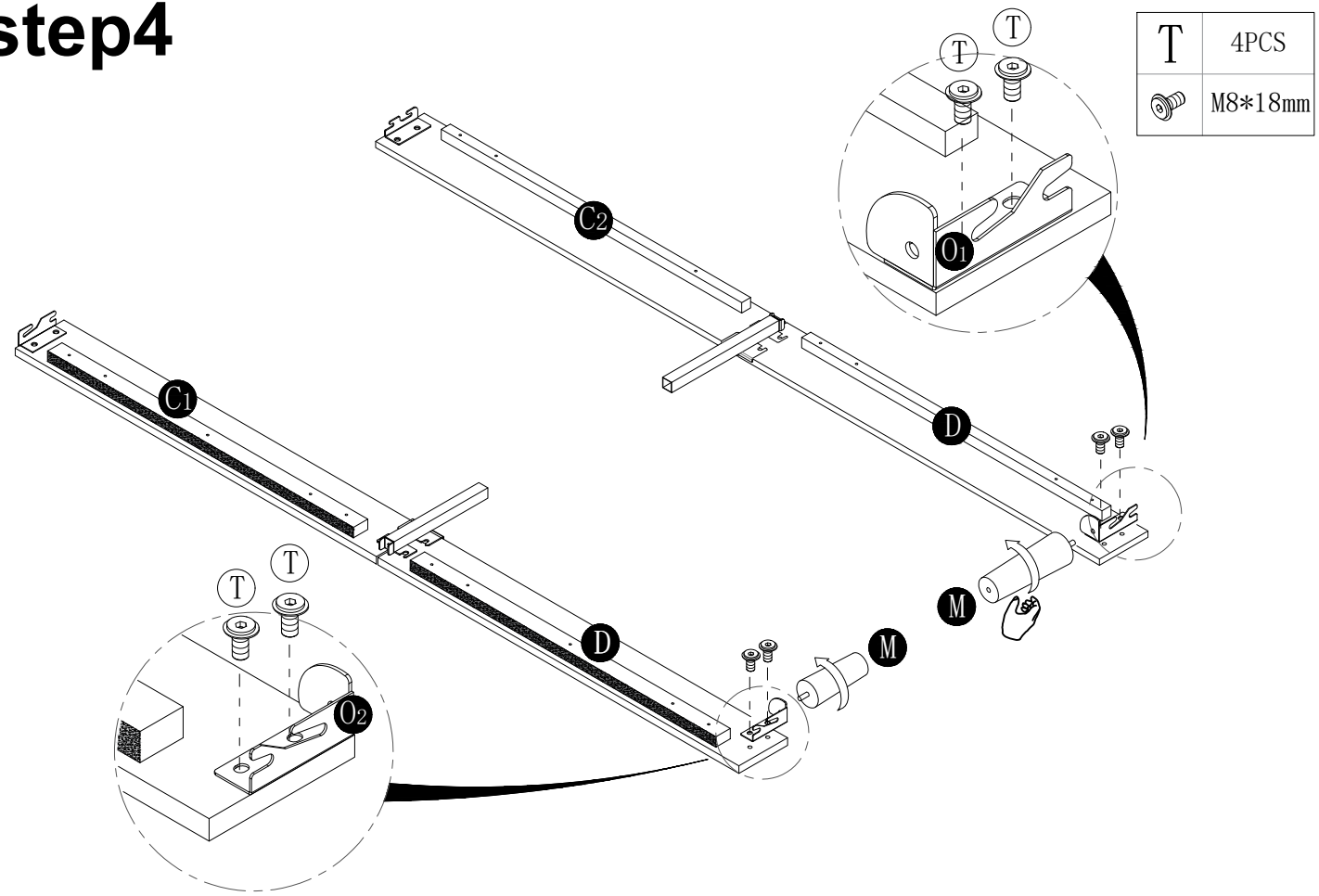
step3

T	8PCS
	M8*18mm




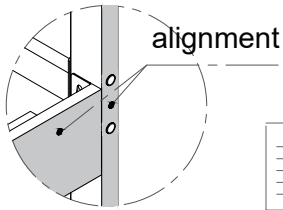
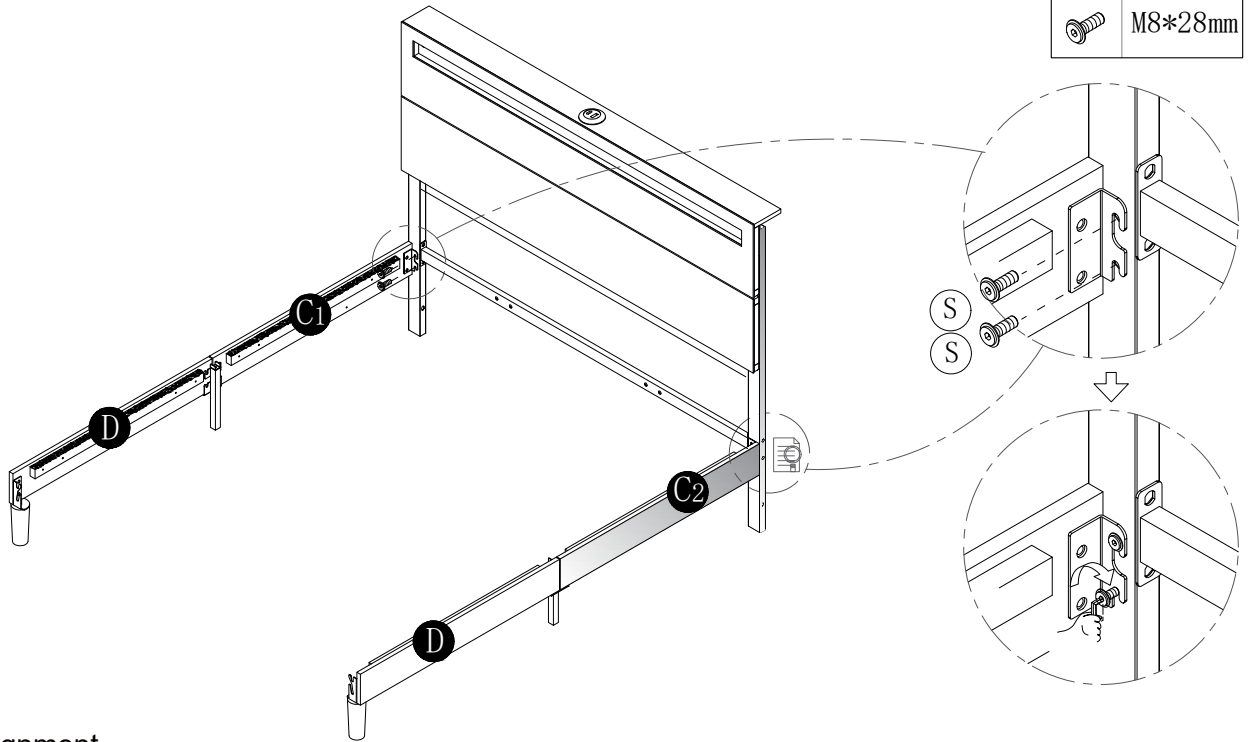
step4

T	4PCS
	M8*18mm




step5

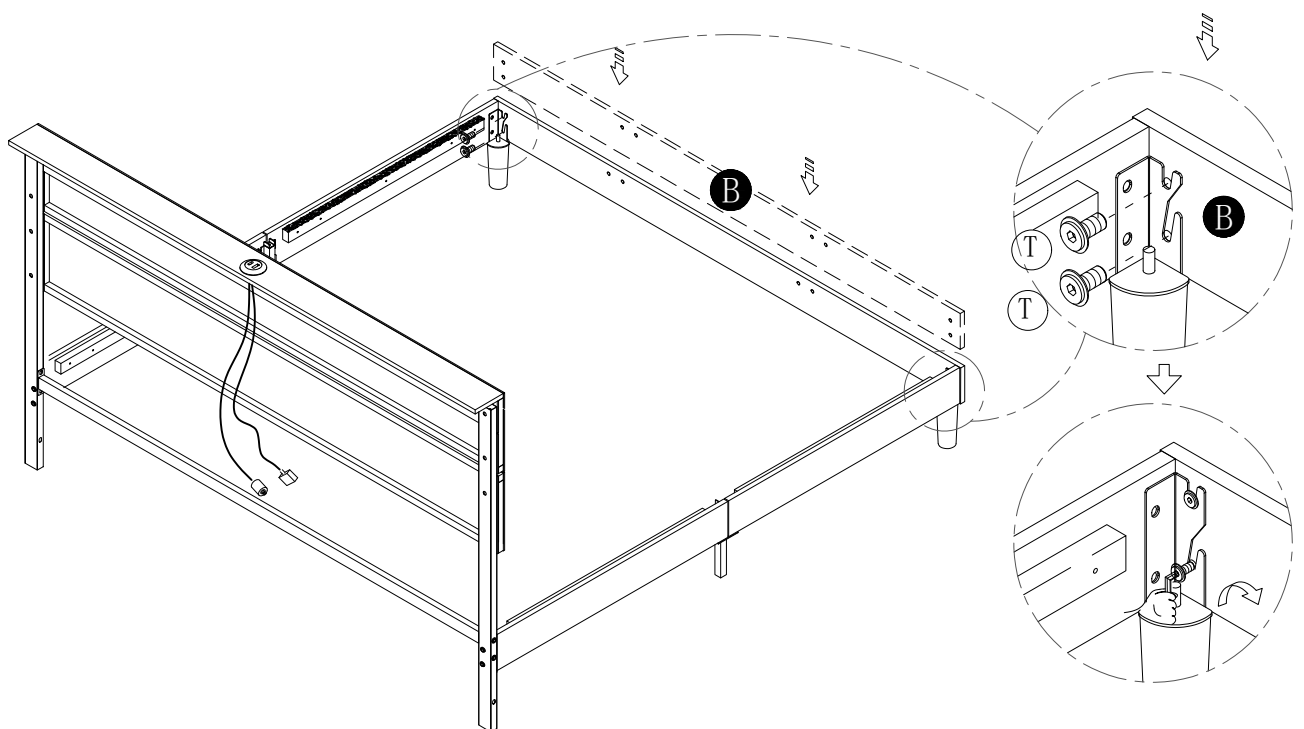
S	4PCS
	M8*28mm



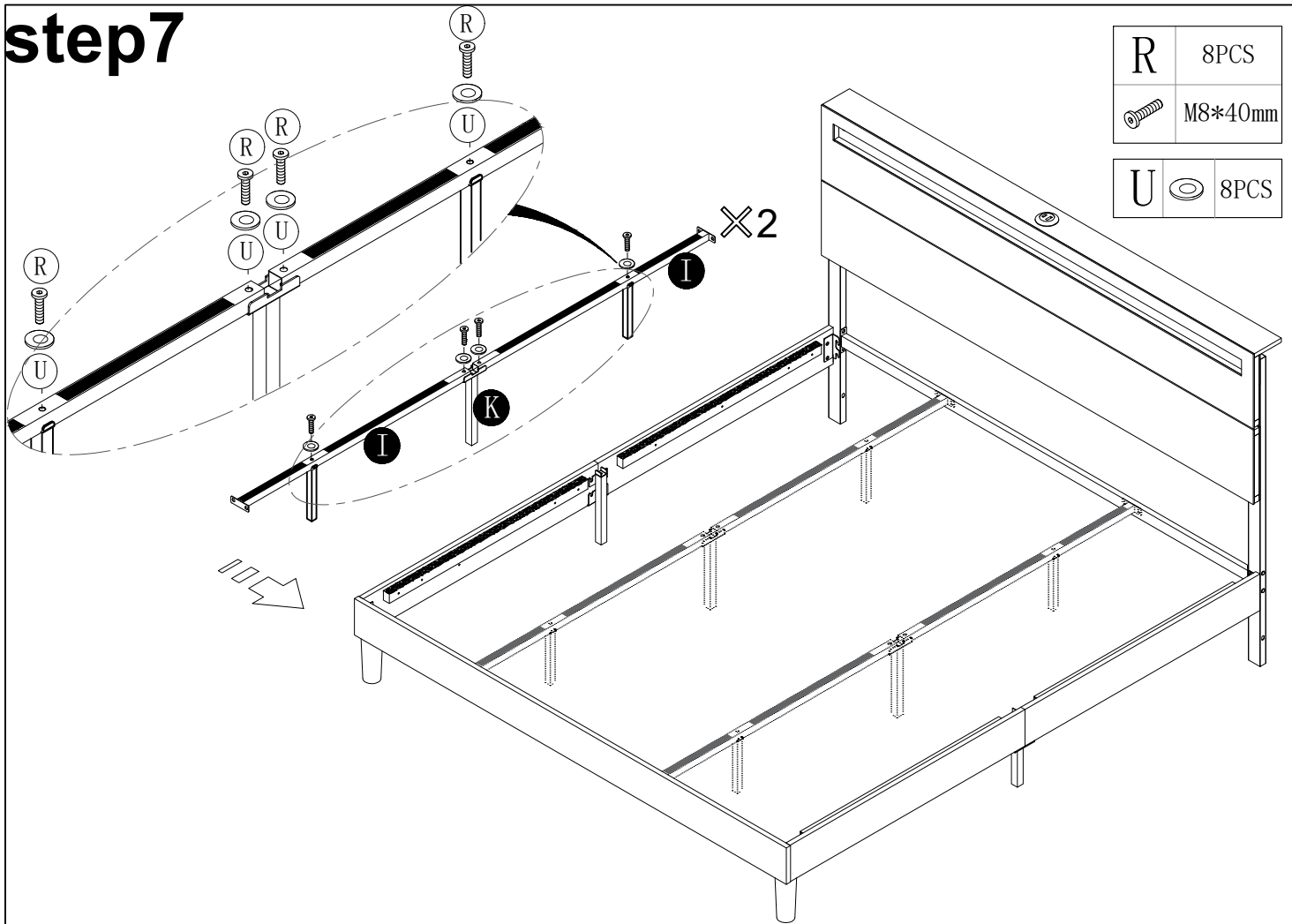
Attention: If the two surfaces are not flush, please check if STEP 1 is installed incorrectly

step6

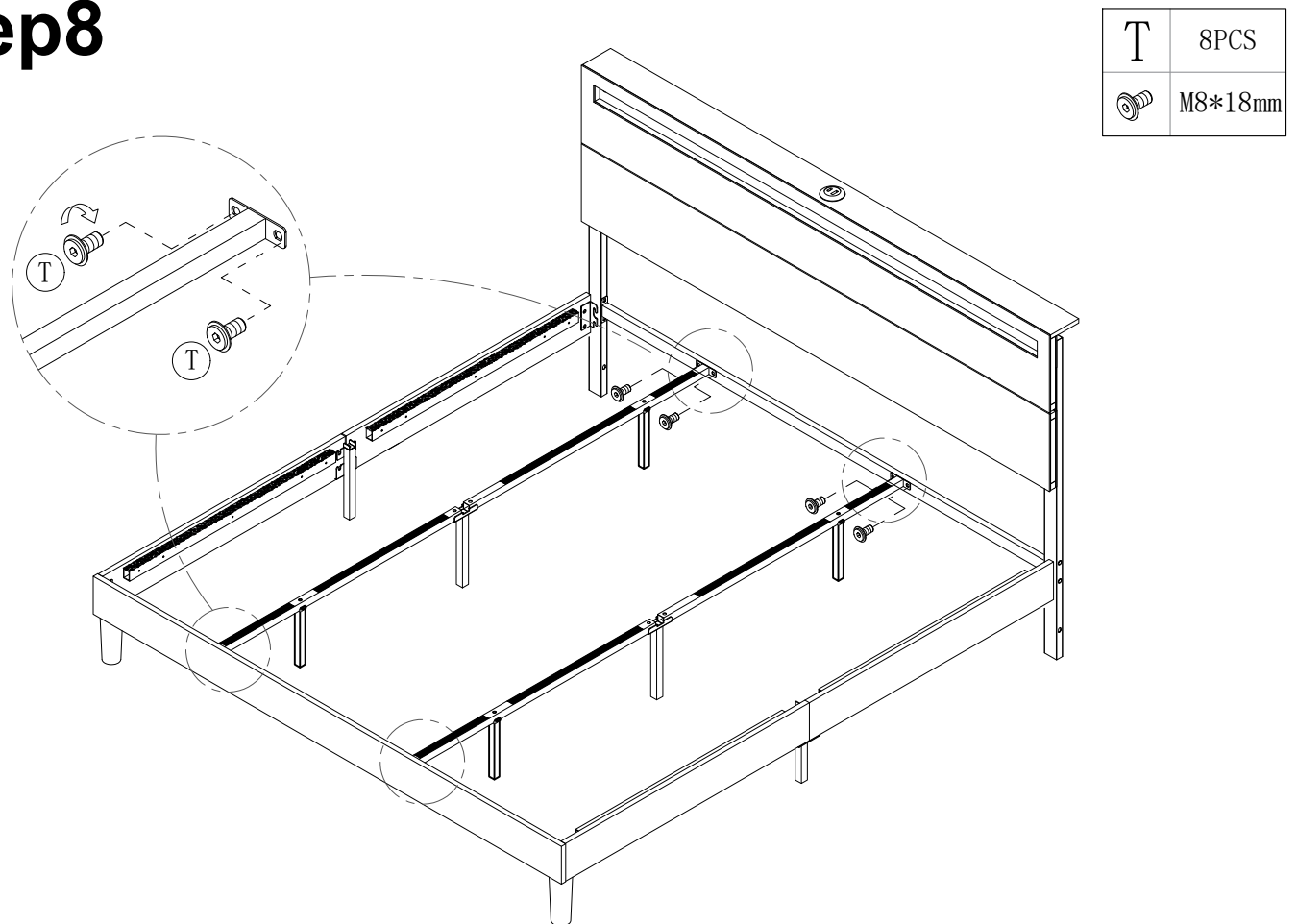
T	4PCS
	M8*18mm



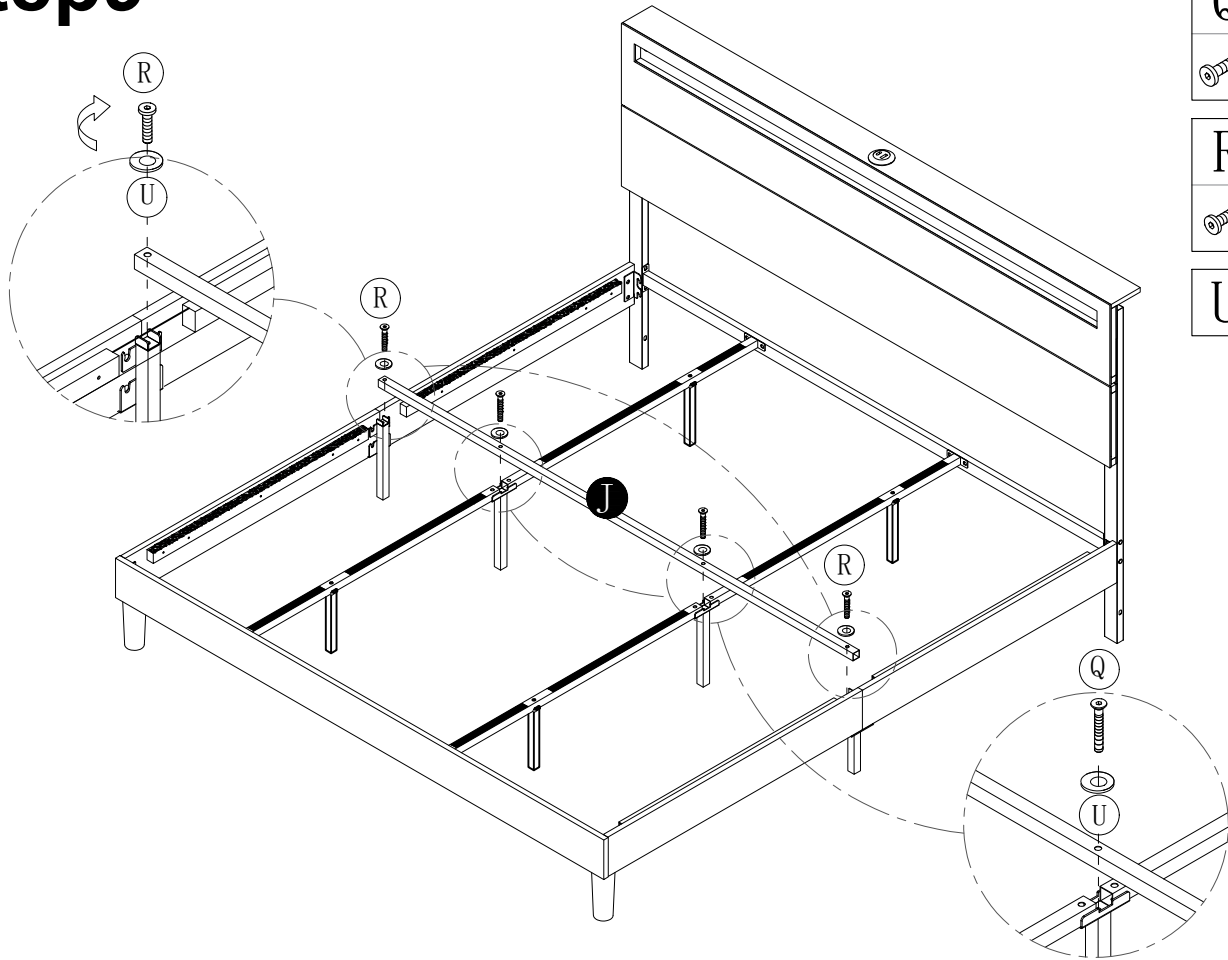
step7






step8

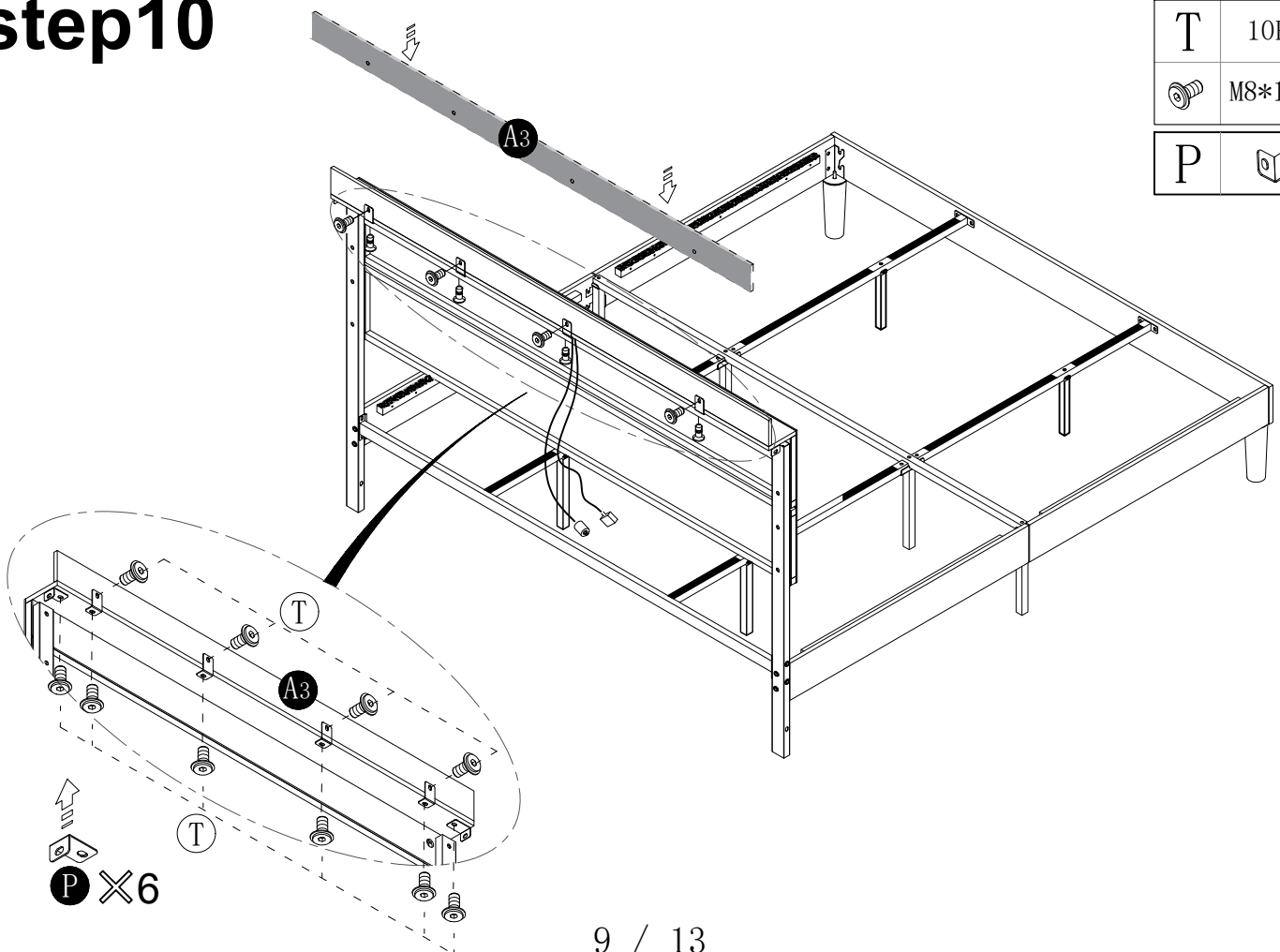




step9



Q	2PCS
	M8*50mm
R	2PCS
	M8*40mm
U	 4PCS


step10

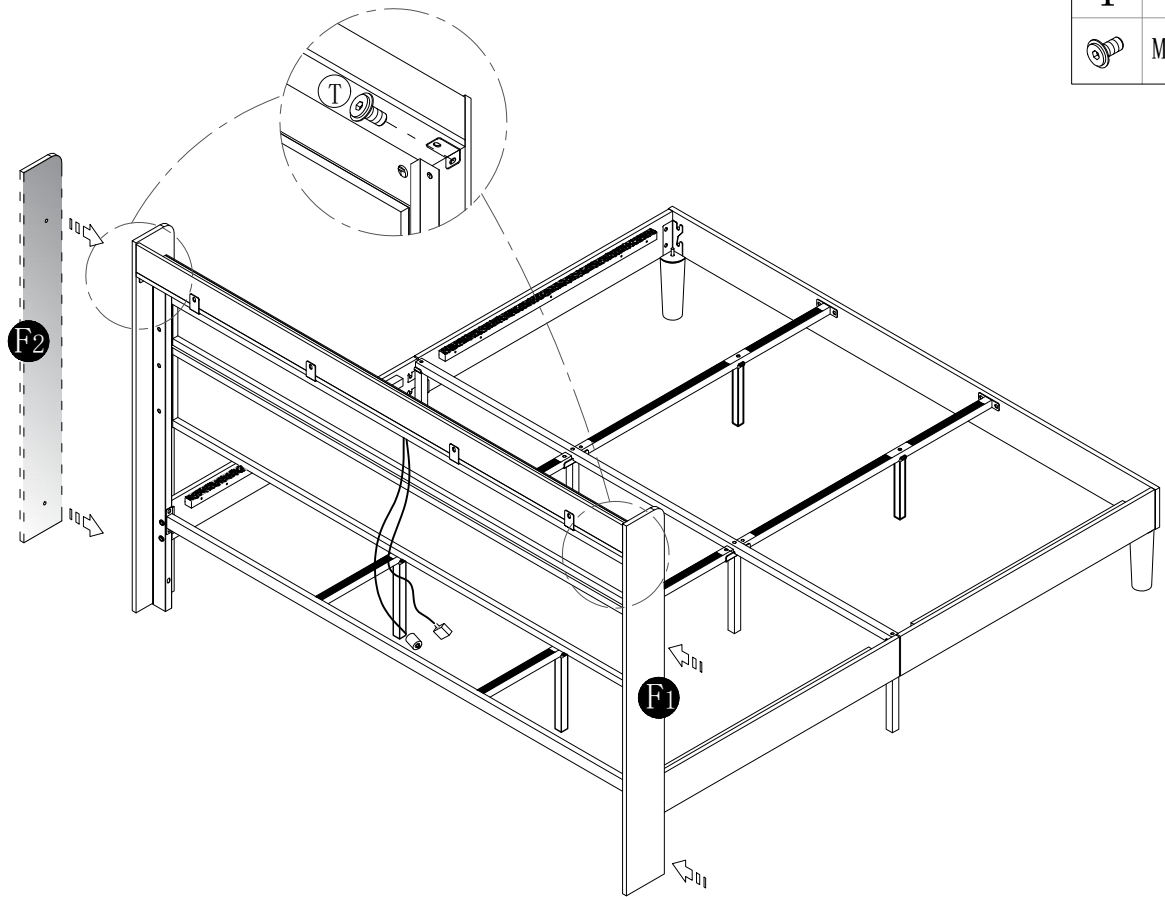


T	10PCS
	M8*18mm
P	



P × 6

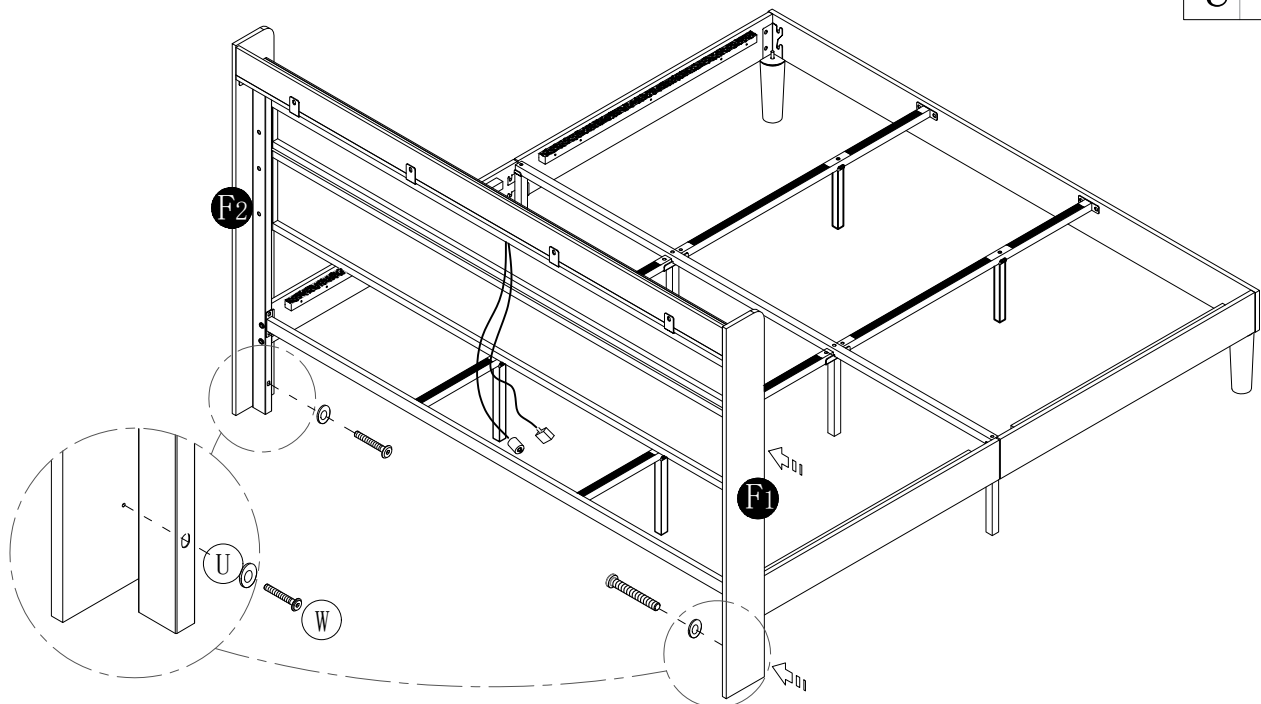
step11

T	2PCS
	M8*18mm



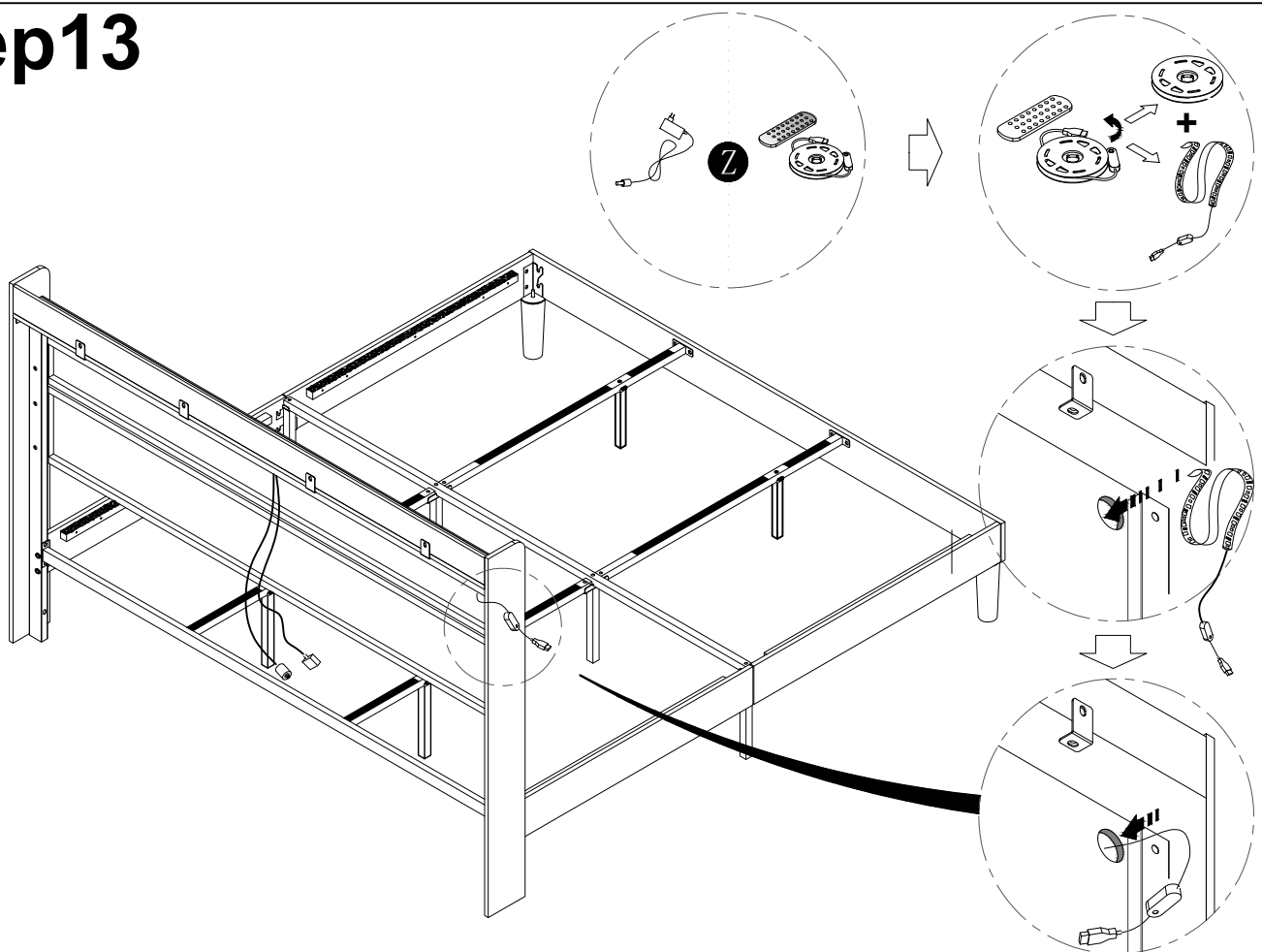
step12

W	2PCS
	M8*65mm
U	2PCS
	2PCS



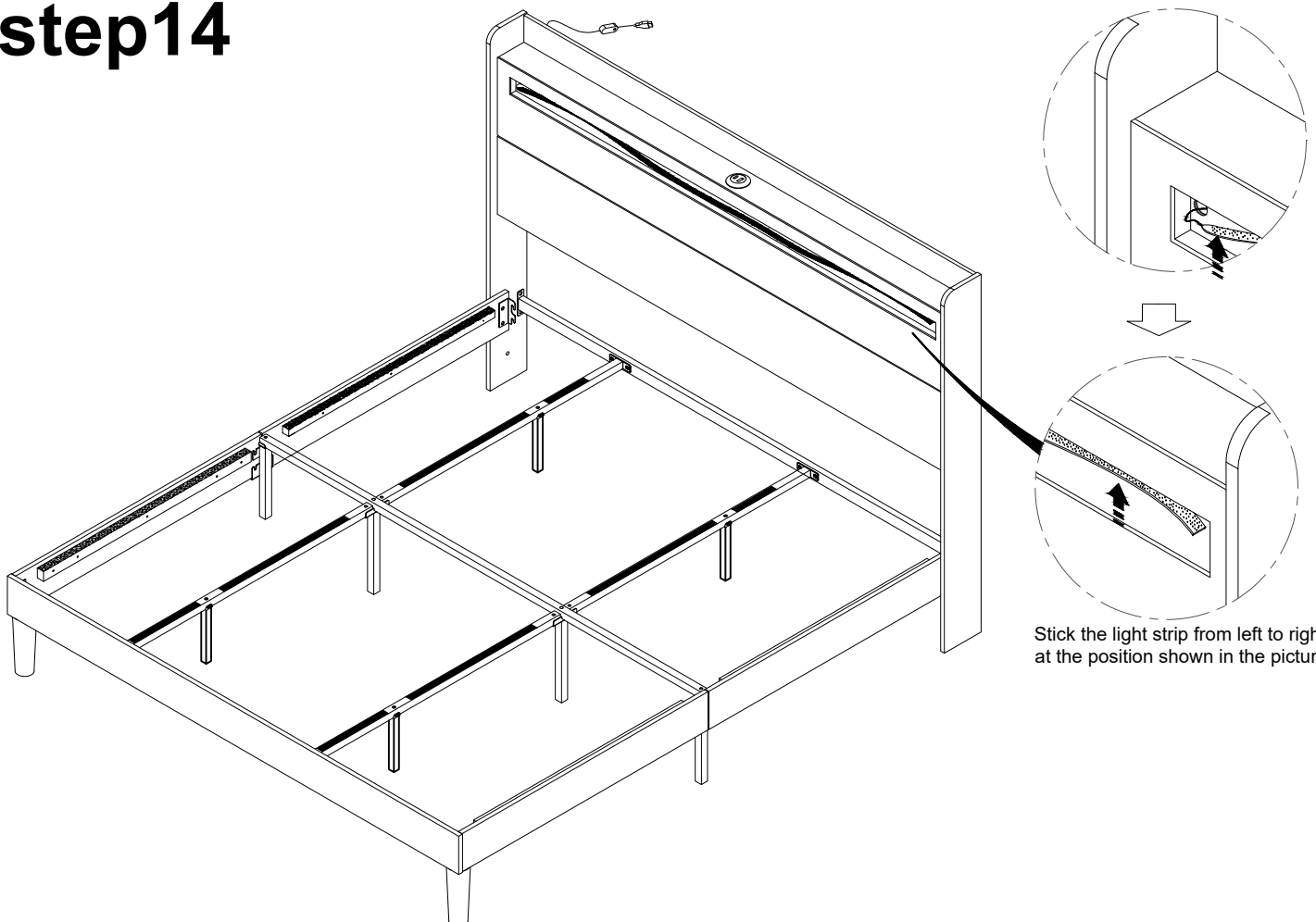
Lock all the screws.

step13



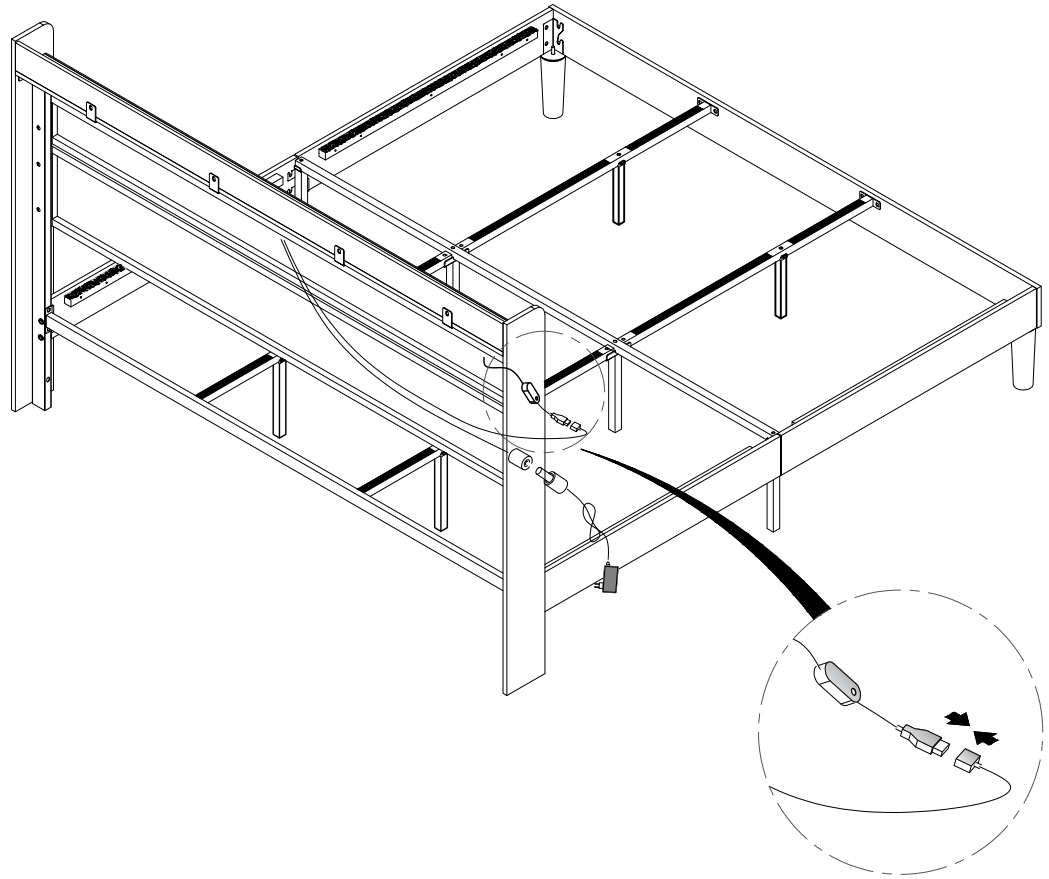
From the tail end of the light strip, pass through the wiring harness hole

step14

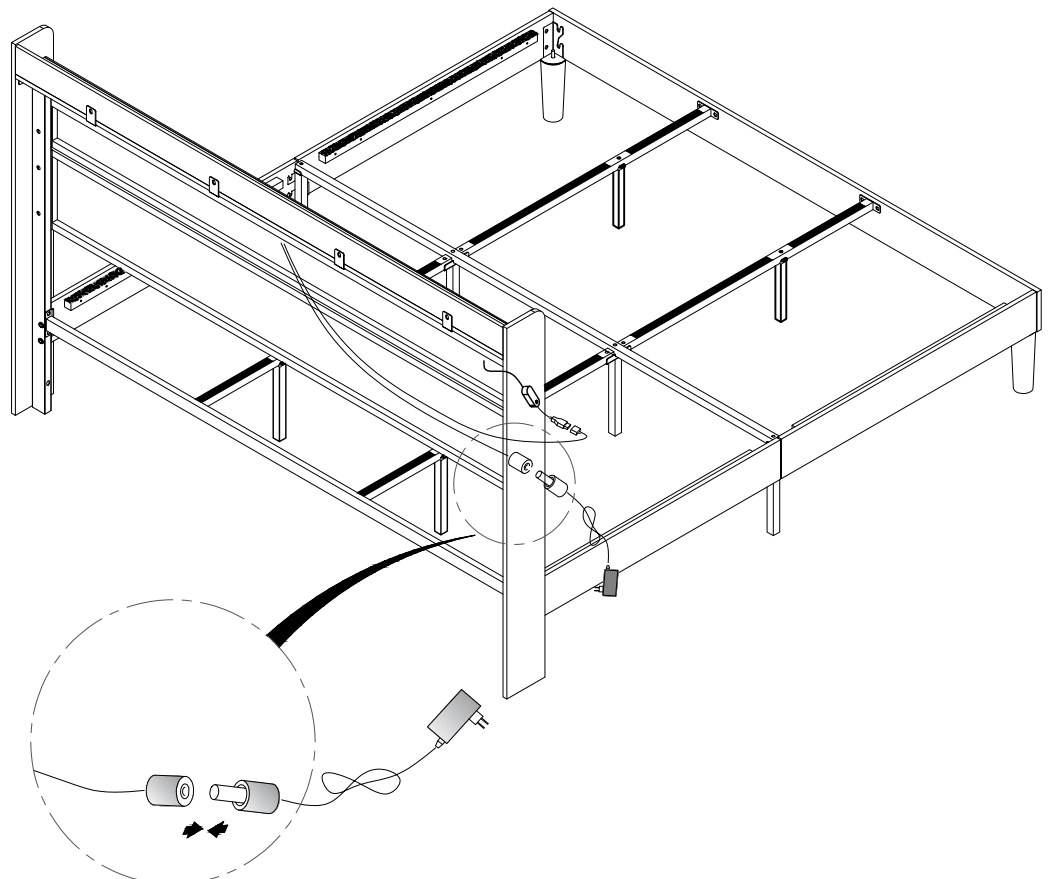


Stick the light strip from left to right at the position shown in the picture.

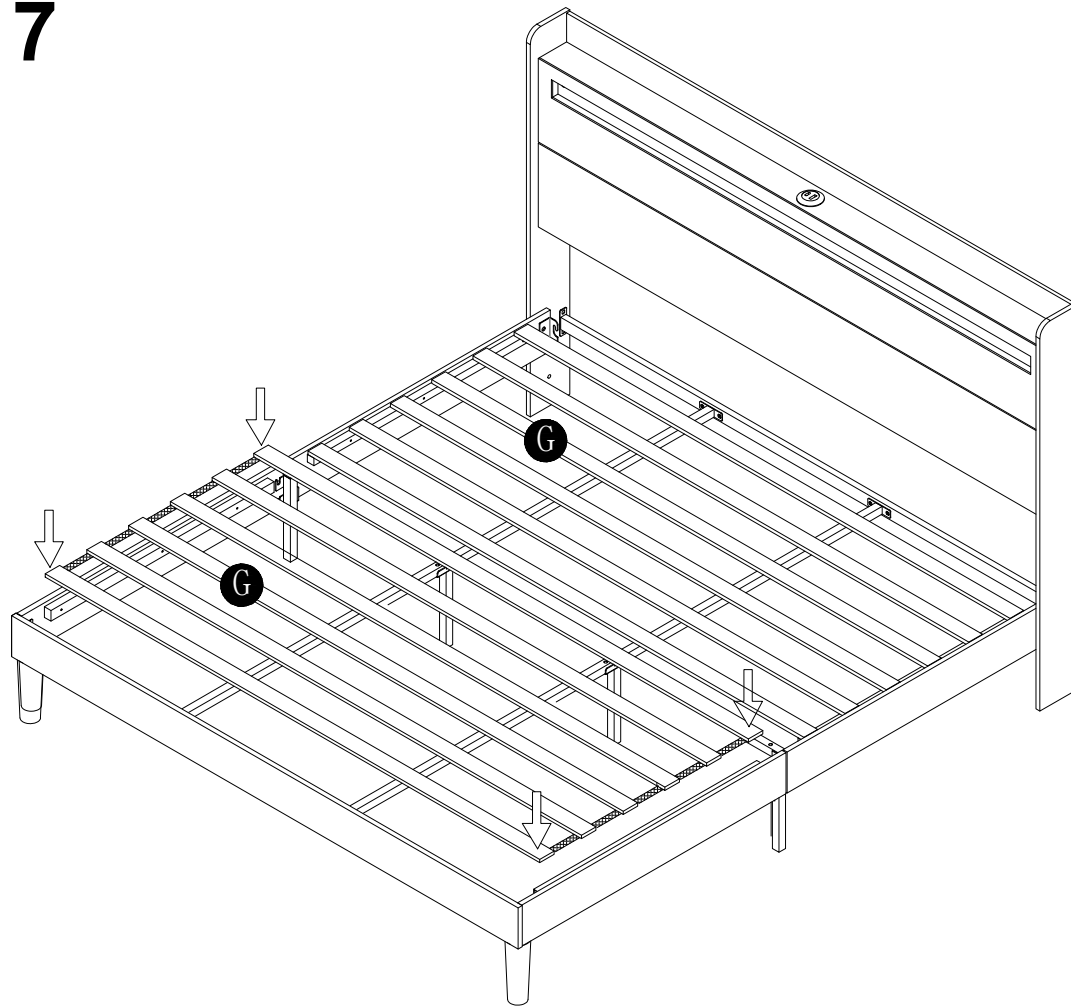
step15



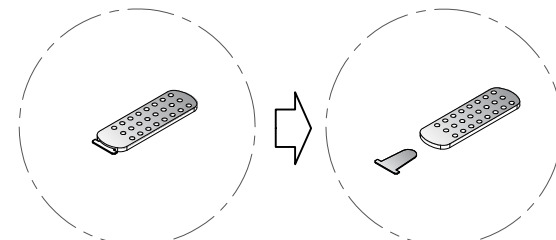
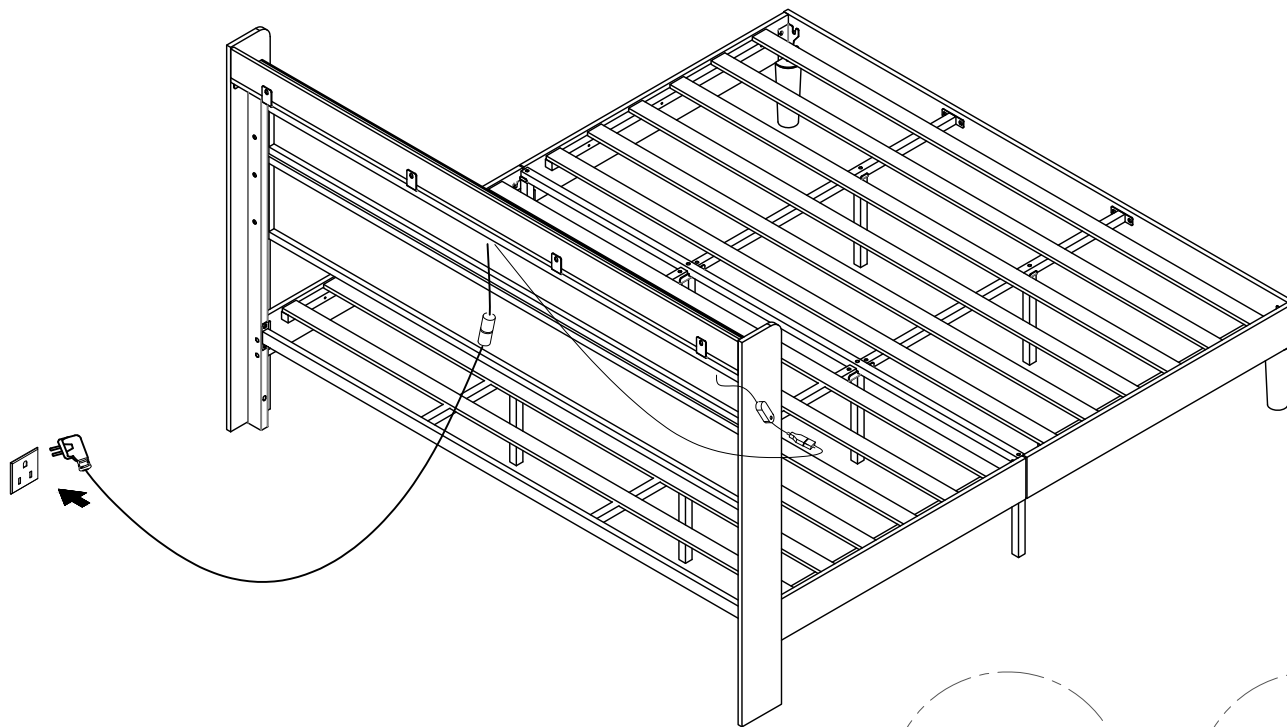
step16



step17



step18



Installation Complete

Extract the insulation sheet