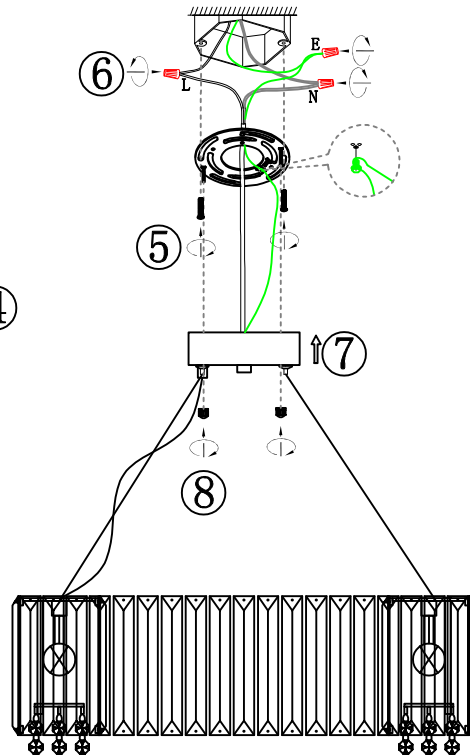
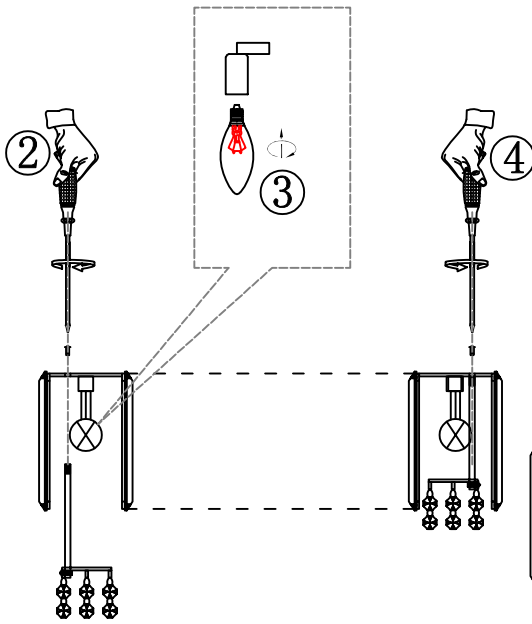
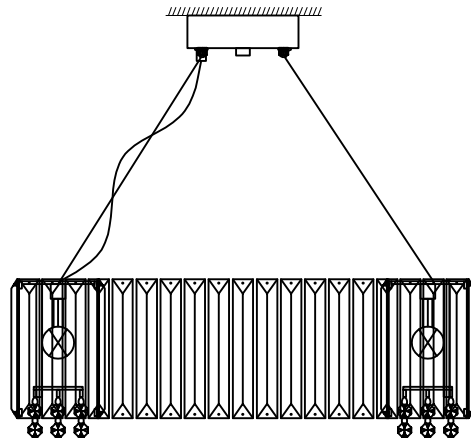


turn off the power.



## Installation steps:

1. Cut off the power before installation
2. Loosen the screws on the top of the lampshade
3. Install the light source (without bulb)
4. Tighten the screws to fix the two parts of the lampshade together
5. Fix the hanging plate on the junction box with screws
6. Connect the main wire of the lamp body to the wire reserved on the junction box
7. Put the canopy over the junction box
8. Tighten the decorative nut

## Notice:

1. Before installation, please check whether the parts are complete and whether the lamps are in good condition.
2. Cut off the power supply before installation, and then perform wiring.
3. Install the lamp body first, and then install the power supply.
4. Installation and maintenance must be carried out by professional and technical personnel.