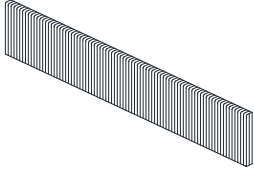
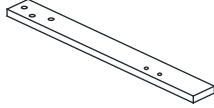
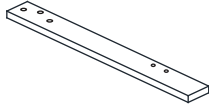
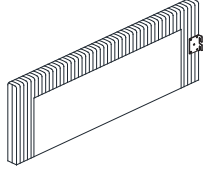
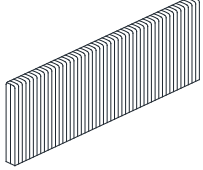
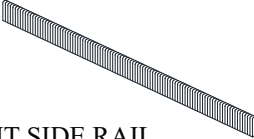

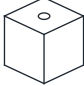
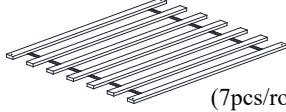
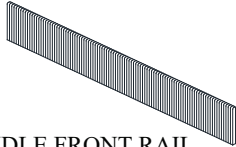
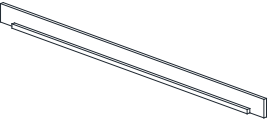

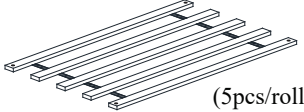
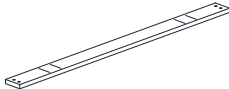



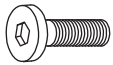









ASSEMBLY INSTRUCTION

ITEM : K45/K46/K47

PARTLIST

<p>1</p>  <p>BACK PANEL x1PC</p>	<p>2</p>  <p>BACK PANEL LEG (R) x1PC</p>	<p>3</p>  <p>BACK PANEL LEG (L) x1PC</p>	<p>4</p>  <p>SIDE PANEL (R) x1PC</p>	<p>5</p>  <p>SIDE PANEL (L) x1PC</p>
<p>6</p>  <p>FRONT SIDE RAIL WITH FABRIC x1PC</p>	<p>7</p>  <p>BACK SIDE RAIL WITH BLACK NON-WOVEN AND METAL HOOK x1PC</p>	<p>8</p>  <p>LEG x2PCS</p>	<p>9</p>  <p>SLAT x2SET</p>	<p>10</p>  <p>TRUNDLE FRONT RAIL WITH FABRIC x1PC</p>
<p>11</p>  <p>TRUNDLE BACK RAIL WITH BLACK NON-WOVEN x1PC</p>	<p>12</p>  <p>TRUNDLE SIDE RAIL WITH BLACK NON-WOVEN AND METAL HOOK x2PCS</p>	<p>13</p>  <p>TRUNDLE SLAT x2SET</p>	<p>14</p>  <p>SLAT SUPPORT x3PCS</p>	<p>15</p>  <p>CASTOR x6PCS</p>

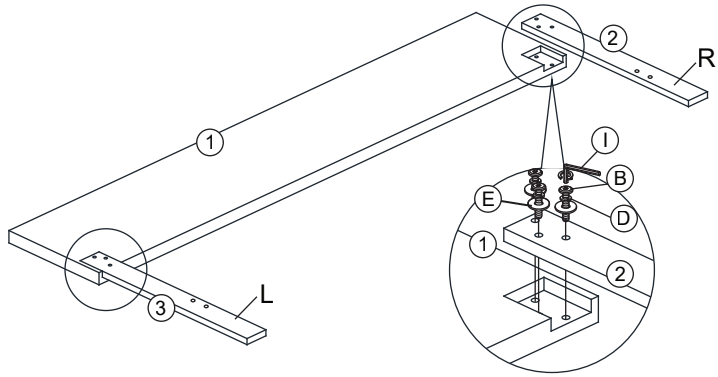
HARDWARE

<p>A</p>  <p>JCBB SCREW M8 x 20MM x20PCS</p>	<p>B</p>  <p>JCBC SCREW M6 x 40MM x8PCS</p>	<p>C</p>  <p>JCBC SCREW M6 x 50MM x12PCS</p>	<p>D</p>  <p>SPRING WASHER M6 x 12MM x18PCS</p>	<p>E</p>  <p>FLAT WASHER M6 x 19MM x6PCS</p>
<p>F</p>  <p>FLAT WASHER M6 x 13MM x12PCS</p>	<p>G</p>  <p>CSK SCREW M4 x 16MM x24PCS</p>	<p>H</p>  <p>CSK SCREW M4 x 32MM x16PCS</p>	<p>I</p>  <p>L-KEY M4 x 100MM x1PC</p>	<p>J</p>  <p>L-KEY M5 x 65MM x1PC</p>

ASSEMBLY INSTRUCTION

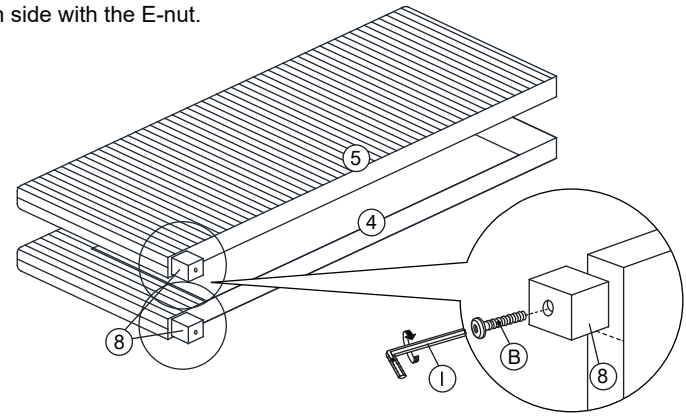
ITEM : K45/K46/K47

STEP 1

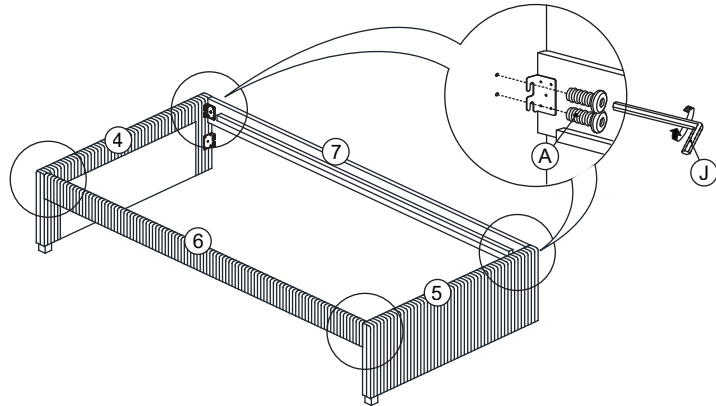


STEP 2

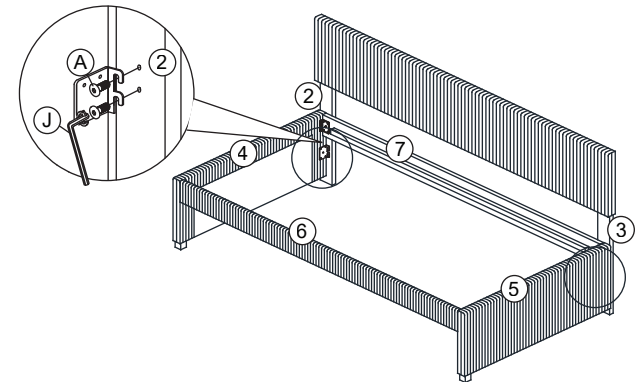
Please attach legs on side with the E-nut.



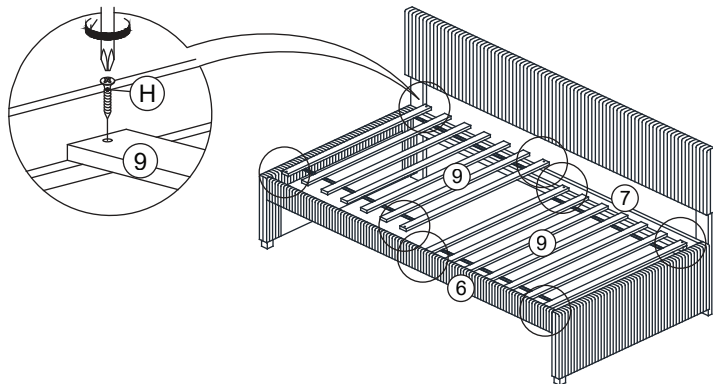
STEP 3



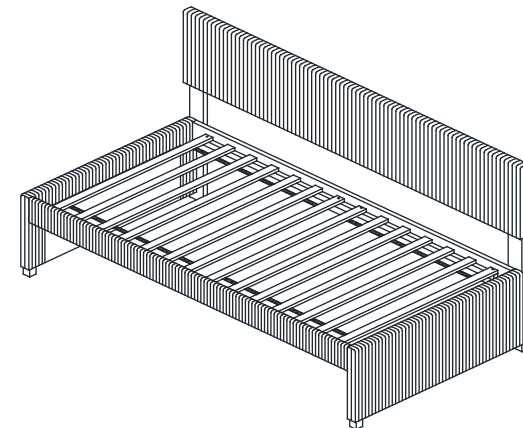
STEP 4



STEP 5

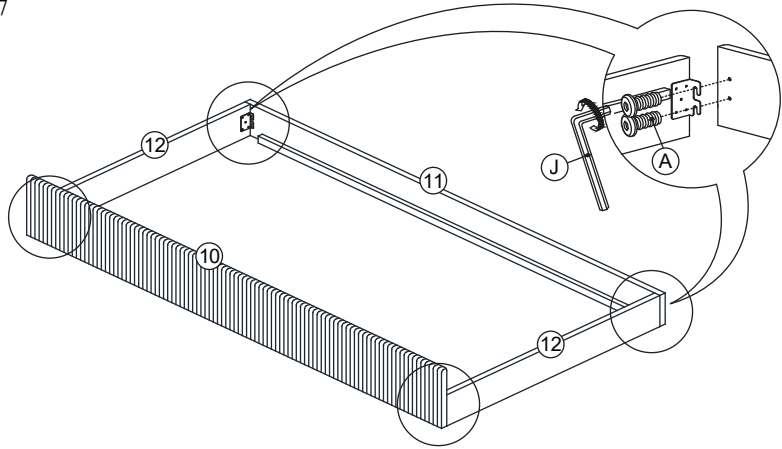


STEP 6



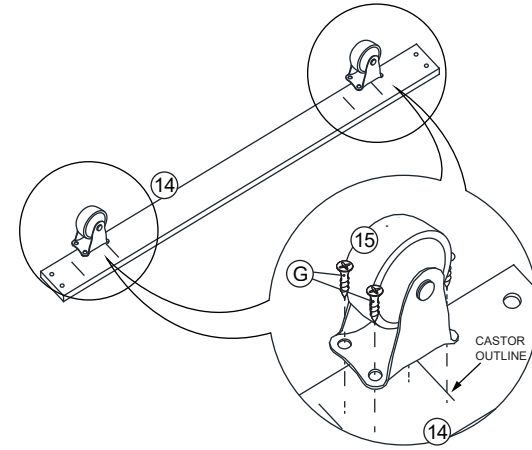
ASSEMBLY INSTRUCTION

STEP 7

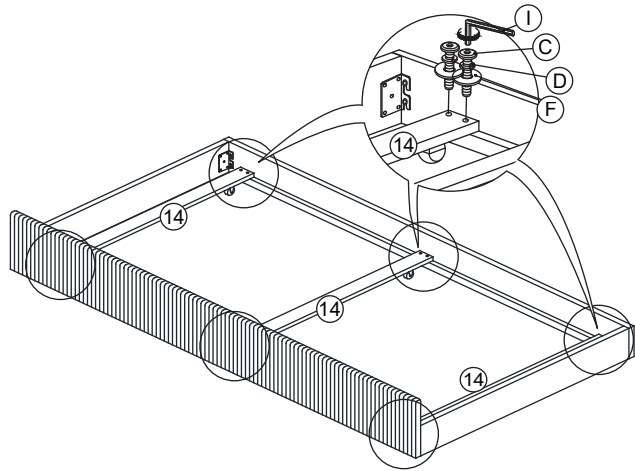


STEP 8

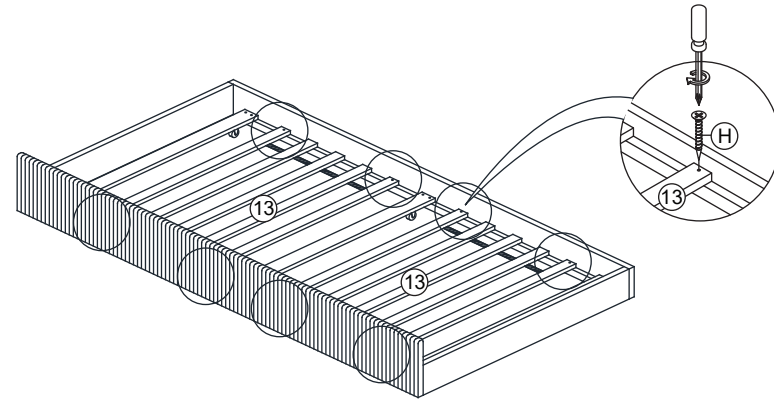
x3



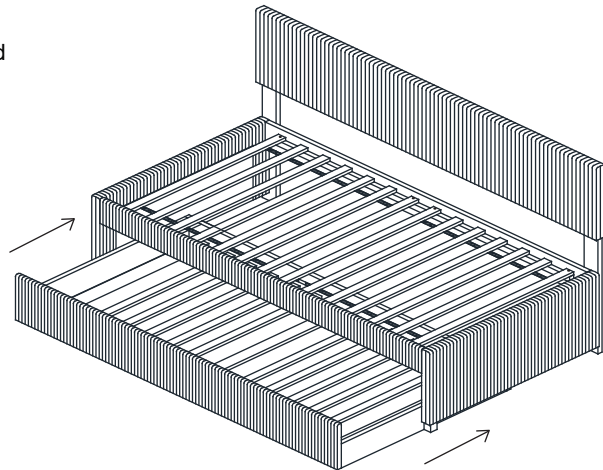
STEP 9



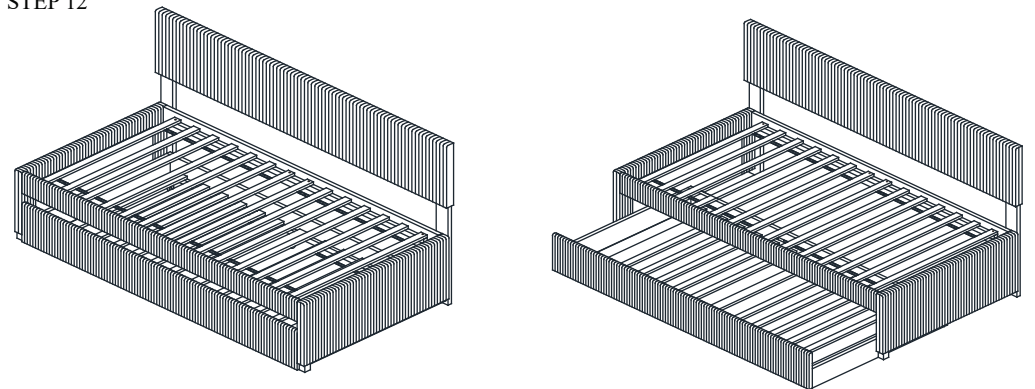
STEP 10



STEP 11
Slide trundle into daybed



STEP 12



ASSEMBLY
COMPLETED