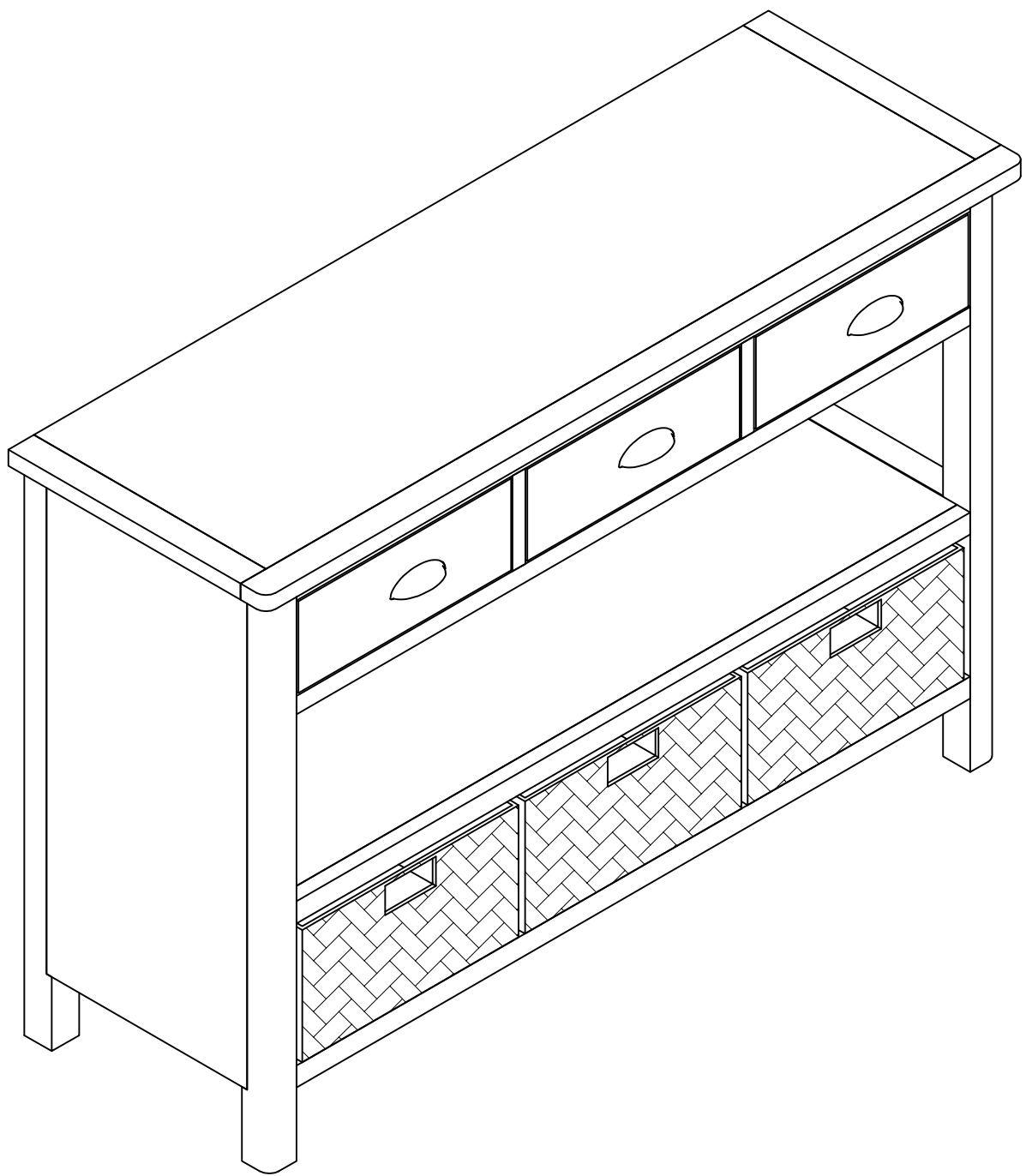


ASSEMBLY INSTRUCTION



ASSEMBLY INSTRUCTION

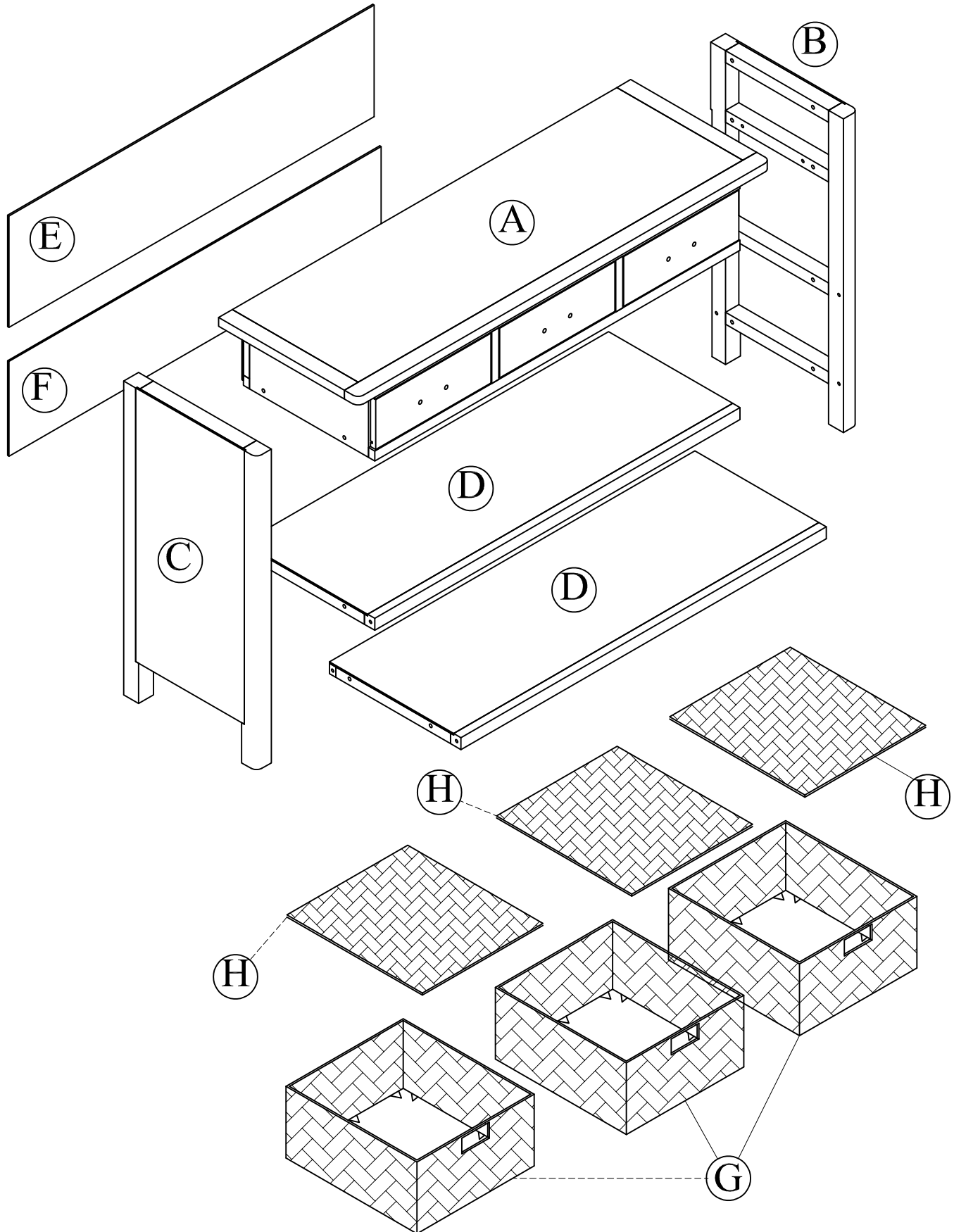
Please read these instructions fully before starting assembly:

1. Place all wooden parts on a clean and smooth surface such as a rug or carpet to avoid scratching the parts.
2. Kindly follow the assembly instructions step by step.
3. Do not tighten all screws and bolts until the table is fully assembled.
4. Unscrew the protective plastic supports from the metal insert of the table legs before assembly.
5. Parts of the assembly will be easier with 2 people.

Care and maintenance:

Only clean using a damp cloth and mild detergent, do not use bleach or abrasive cleaners.

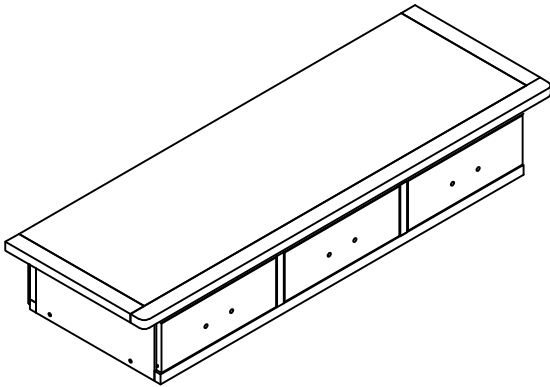
ASSEMBLY INSTRUCTION



ASSEMBLY INSTRUCTION

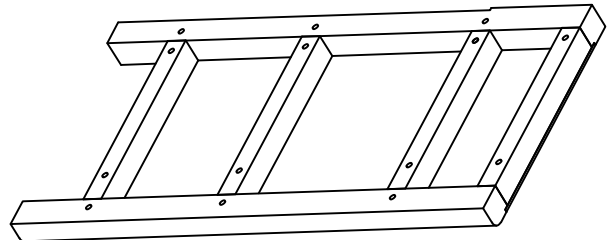
Part List

(A)



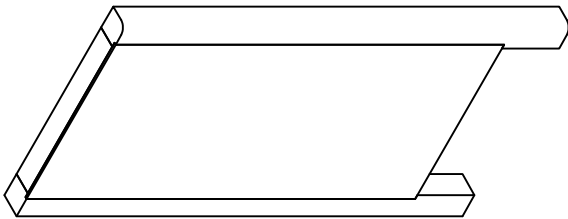
TOP FRAME =1PC

(B)



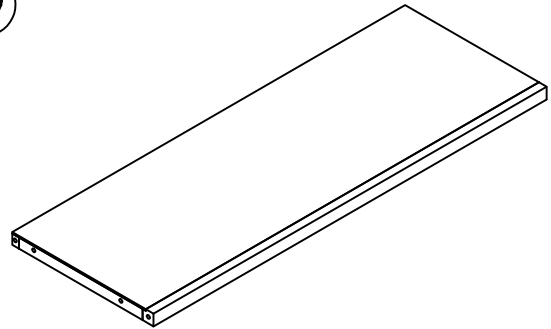
RIGHT LEG =1PC

(C)



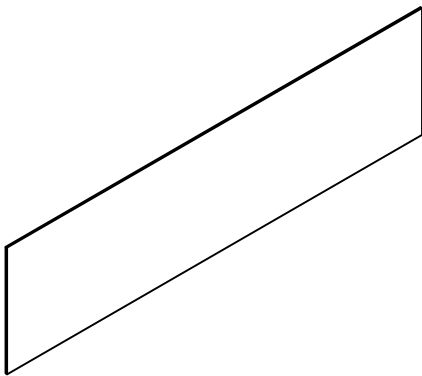
LEFT LEG =1PC

(D)



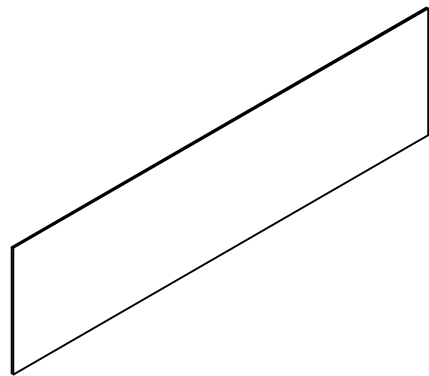
SHELF & BOTTOM =2PCS

(E)



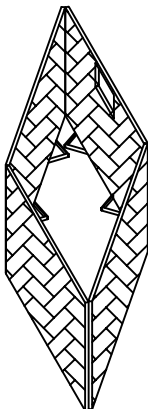
BACK PANEL (UPPER) =1PC

(F)



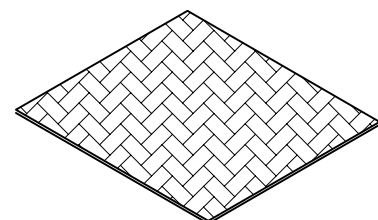
BACK PANEL (LOWER) =1PC

(G)



FRAME OF BASKETS =3PCS

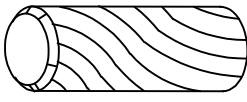
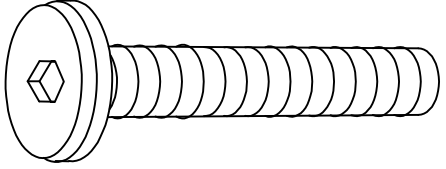
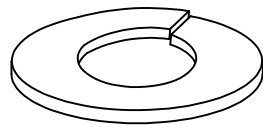
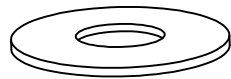

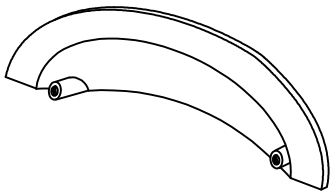

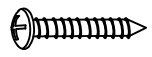
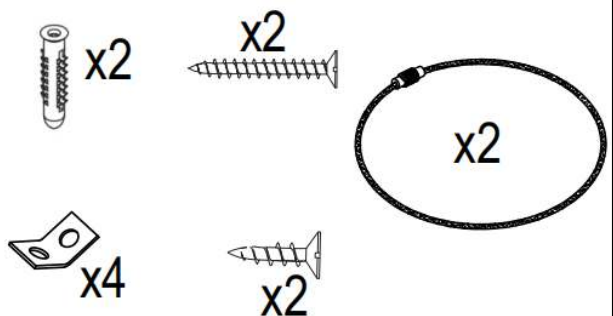
(H)



BOTTOM OF BASKETS =3PCS

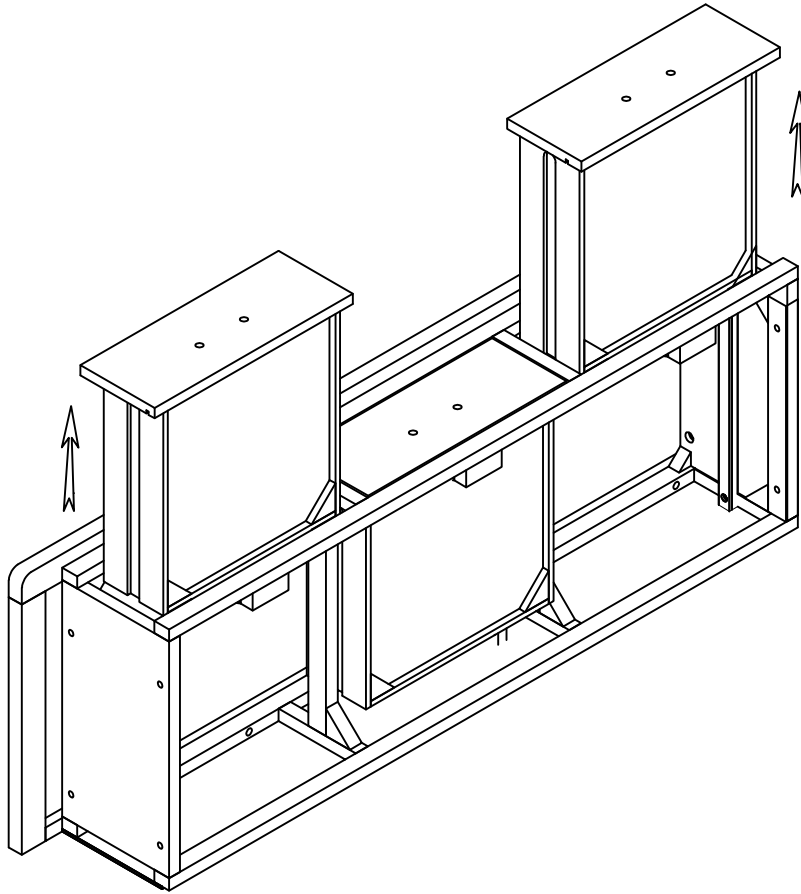
ASSEMBLY INSTRUCTION

Hardware List

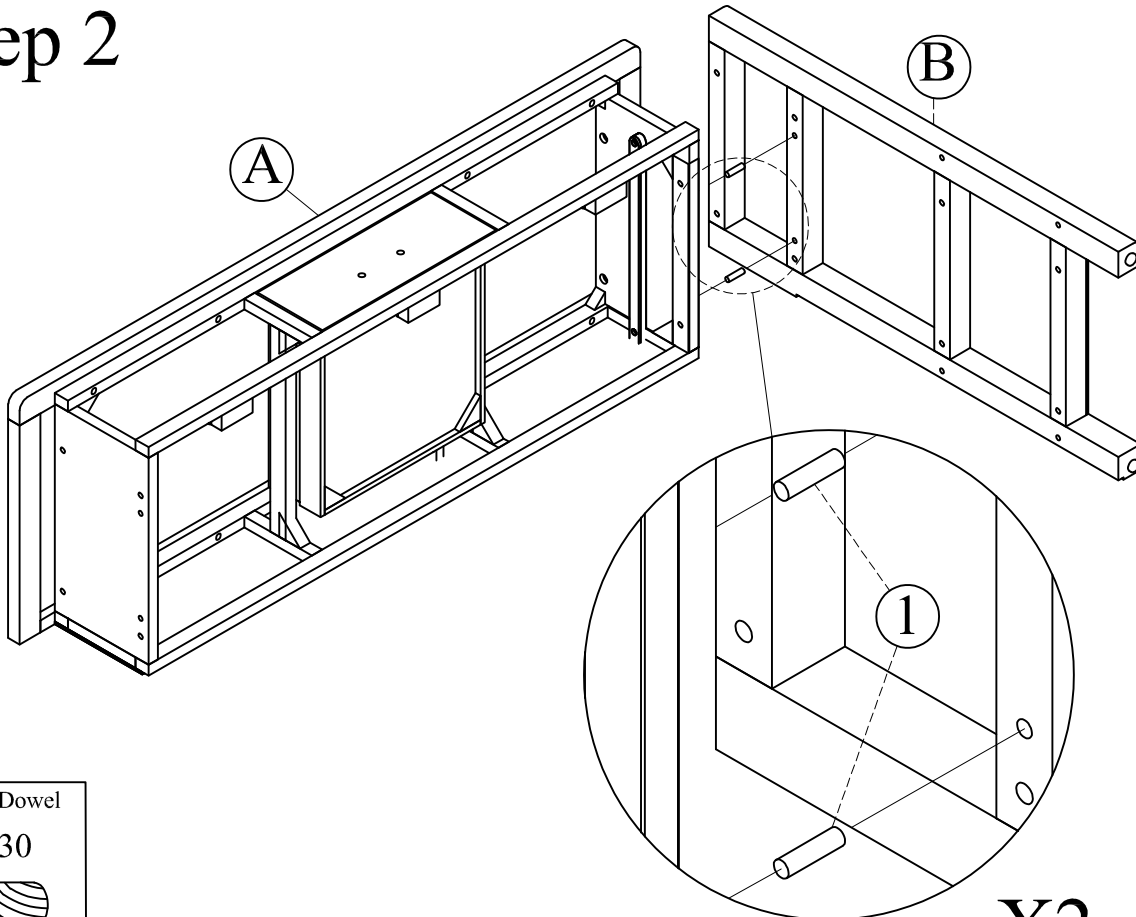
<p>①</p> 	<p>②</p> 
<p>WOODEN DOLWEL 8 X 30 =12PCS</p>	<p>BOLT 1/4" X 30 =16PCS</p>
<p>③</p> 	<p>④</p> 
<p>SPRING WASHER =16PCS</p>	<p>FLAT WASHER =16PCS</p>
<p>⑤</p> 	<p>⑥</p> 
<p>ALLEN KEY K4 X 90 =1PC</p>	<p>HANDLE= 3PCS</p>
<p>⑦</p> 	<p>⑧</p> 
<p>BOLT OF HANDLE M4 X10=6PCS</p>	<p>MUSHROOM SCREW M3.5 X15=26PCS</p>
<p>⑨</p> 	
<p>ANTITIP KIT =2SETS</p>	

ASSEMBLY INSTRUCTION

Step 1



Step 2



Wooden Dowel

Ø8 x 30

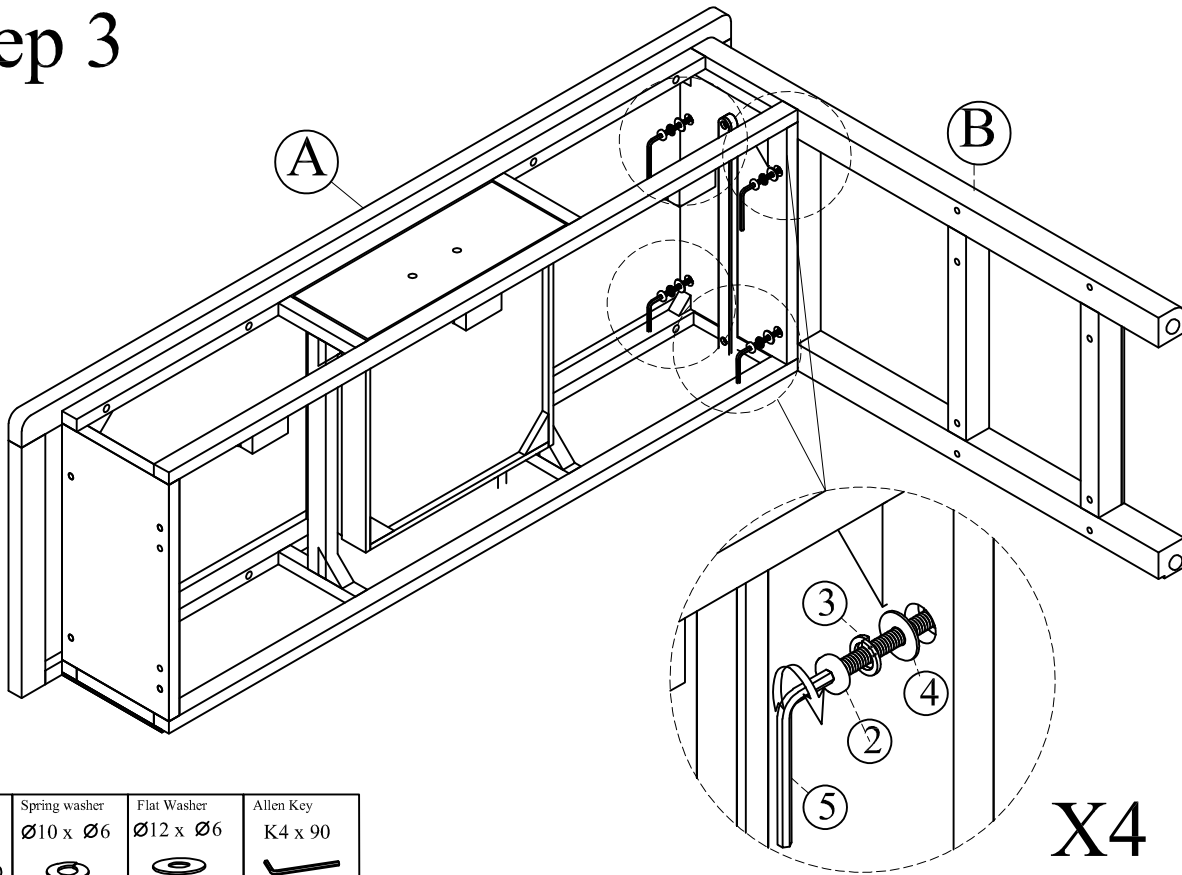






① x 2

X2

ASSEMBLY INSTRUCTION

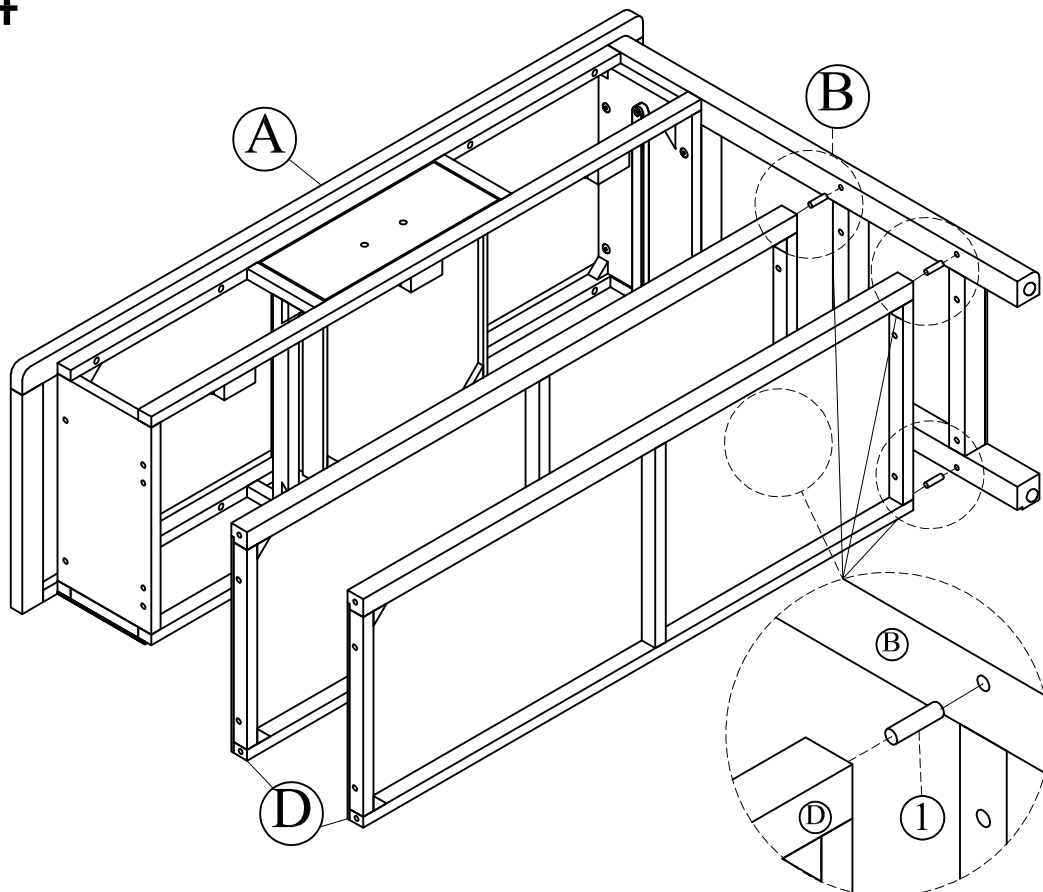
Step 3



Bolt	Spring washer	Flat Washer	Allen Key
1/4 x 30	Ø10 x Ø6	Ø12 x Ø6	K4 x 90
			
② x 4	③ x 4	④ x 4	⑤ x 1

X4

Step 4



Wooden Dowel

Ø8 x 30

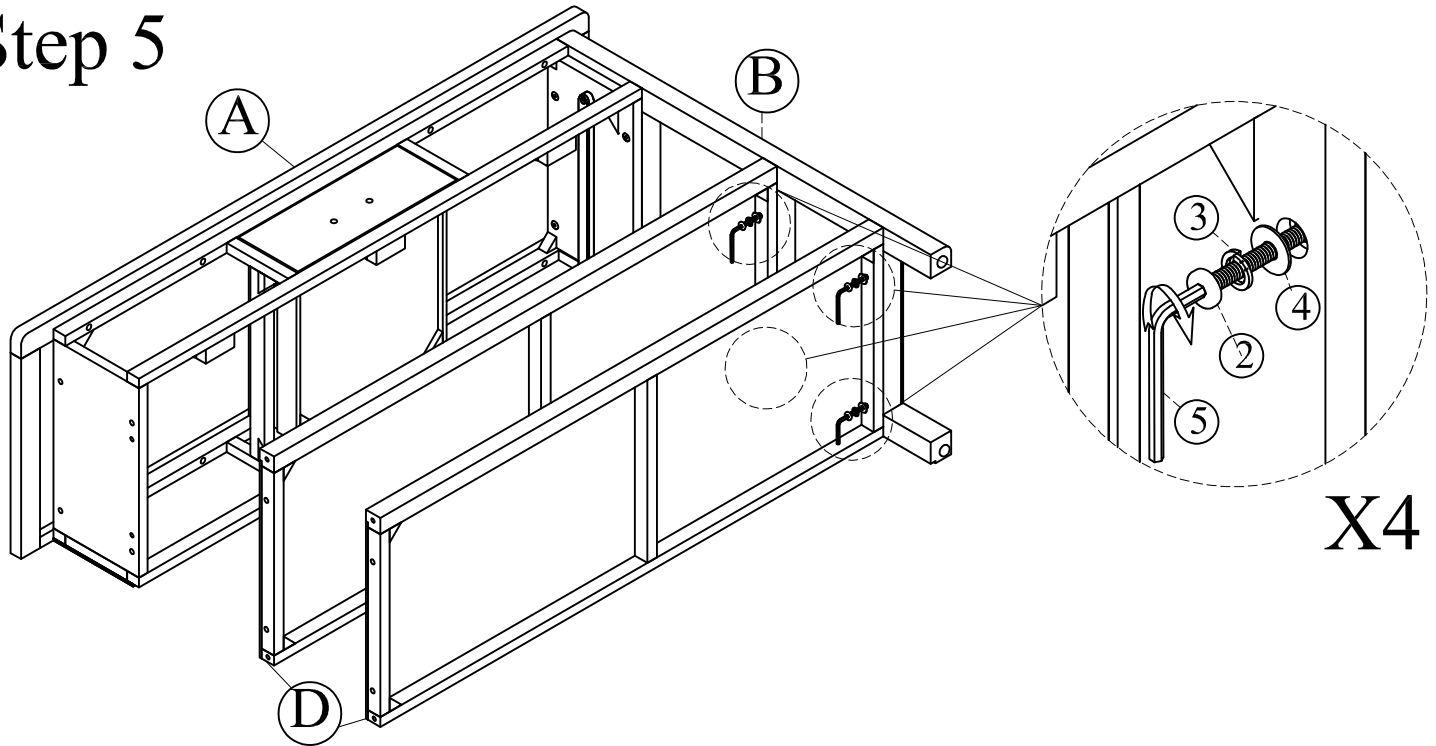






① x 4

X4

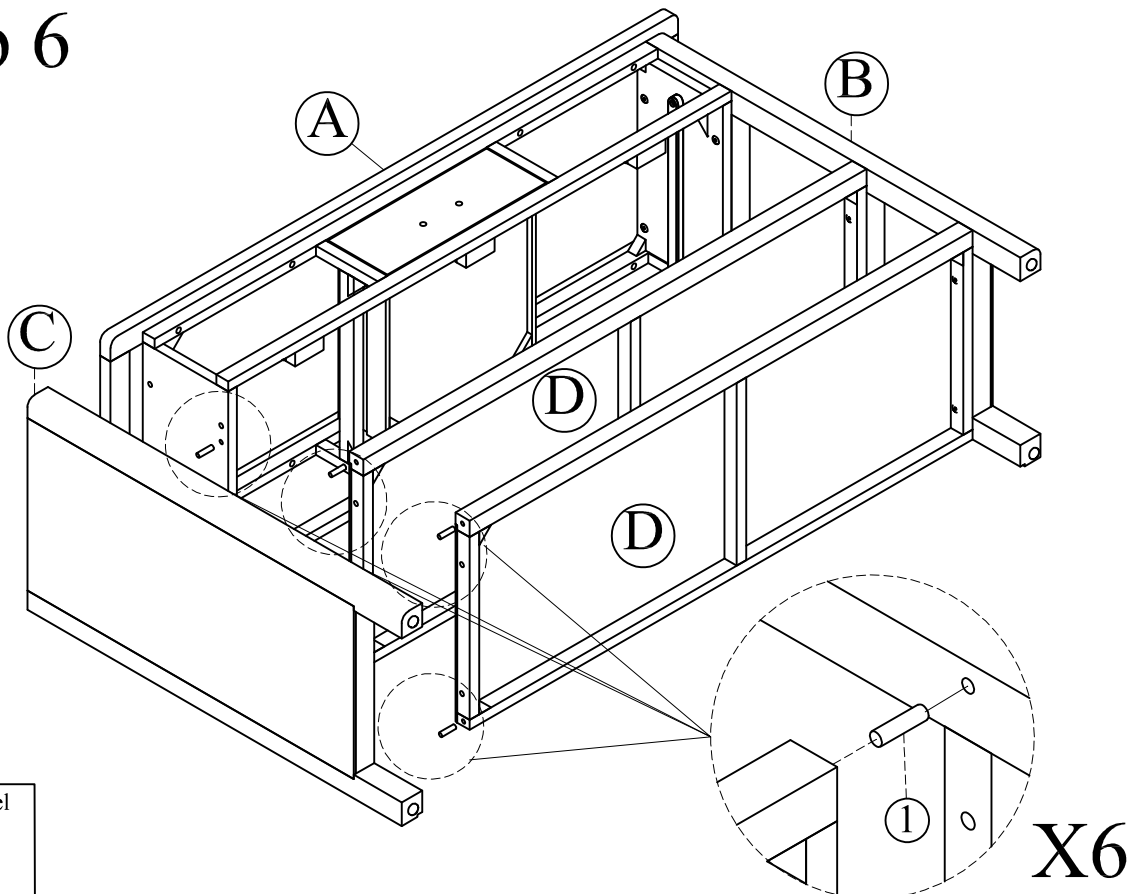
ASSEMBLY INSTRUCTION

Step 5



Bolt	Spring washer	Flat Washer	Allen Key
1/4 x 30	Ø10 x Ø6	Ø12 x Ø6	K4 x 90
			
④ x 4	④ x 4	④ x 4	① x 1

Step 6



Wooden Dowel

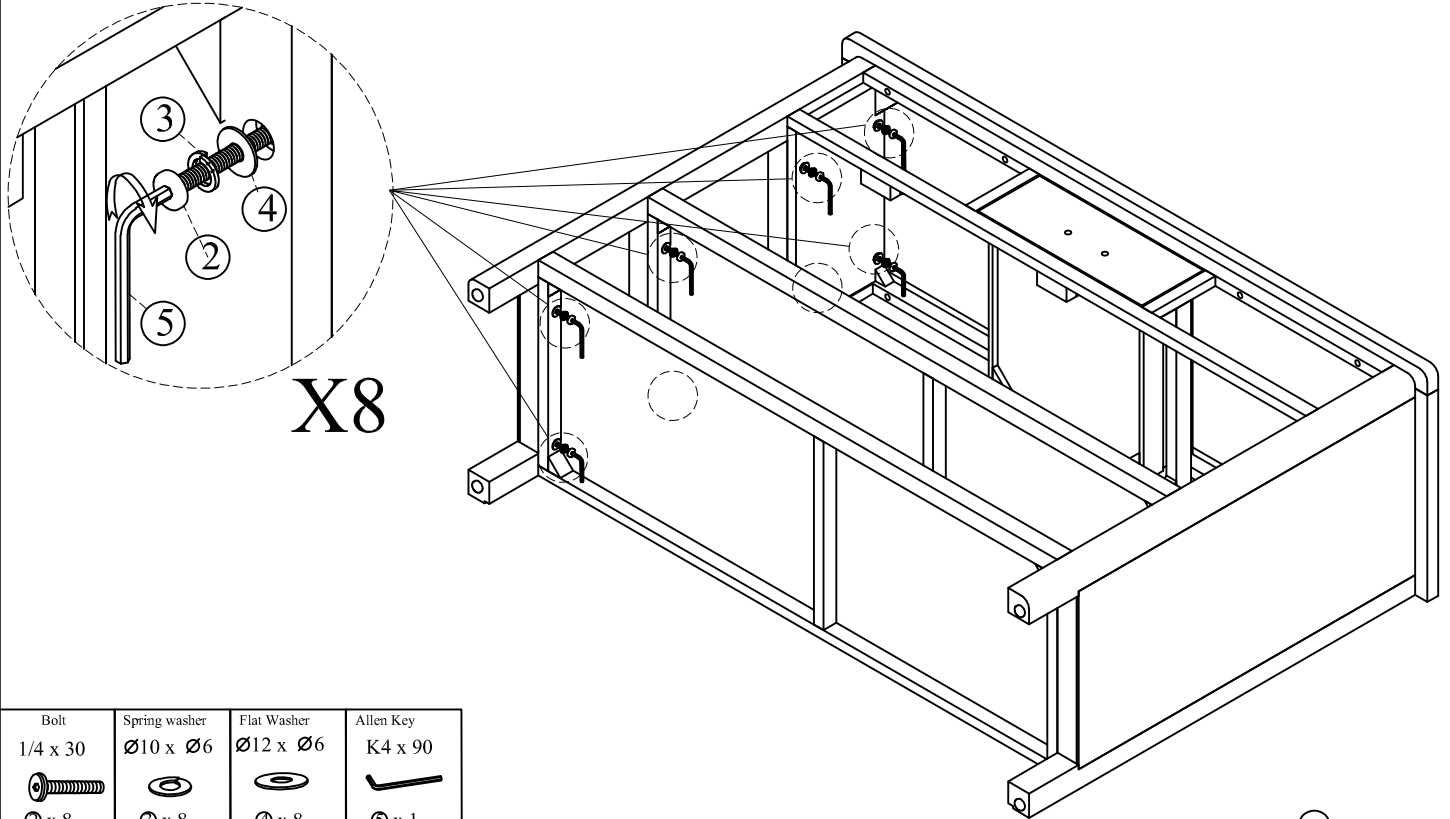
Ø8 x 30






① x 6

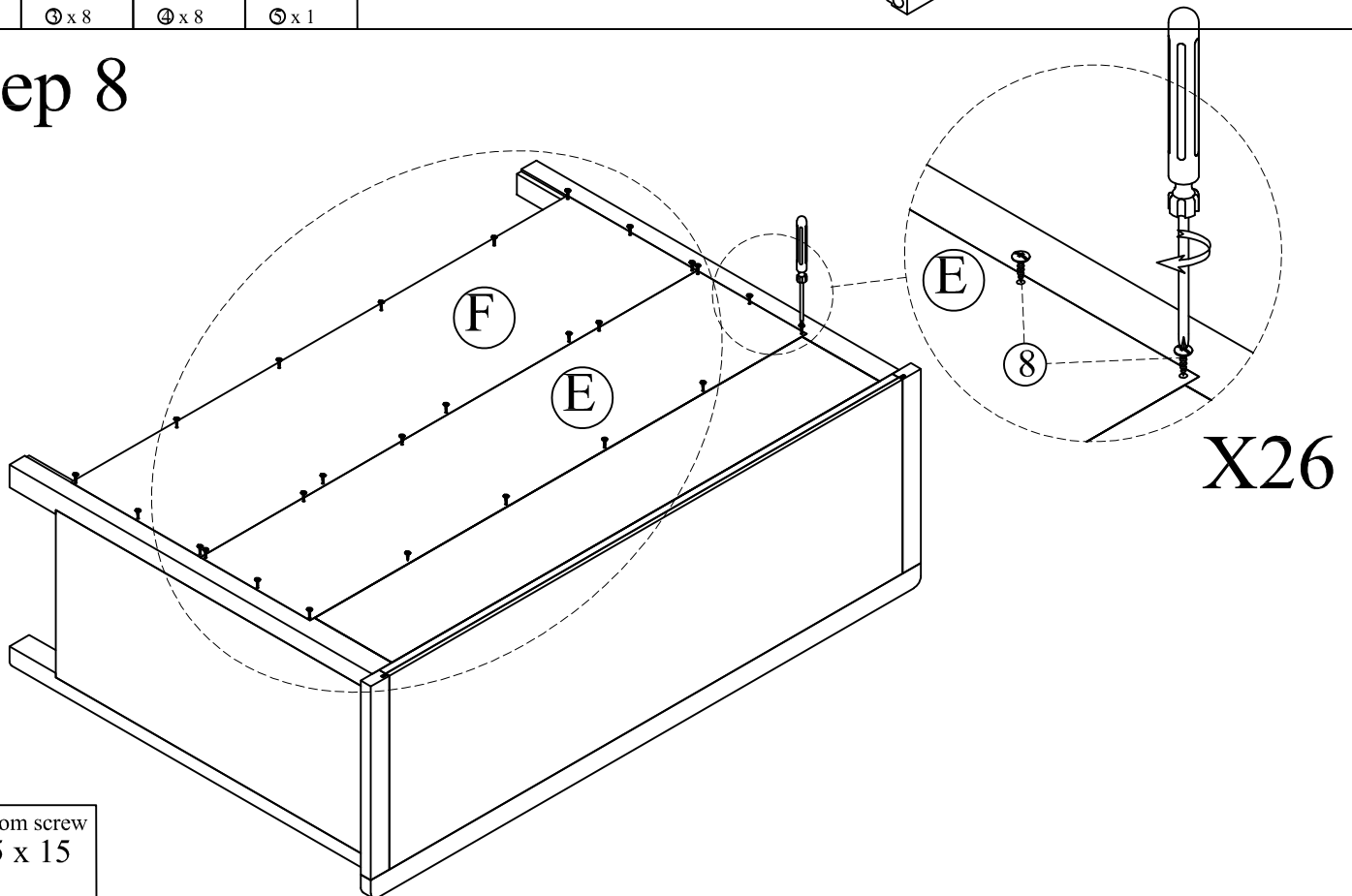
ASSEMBLY INSTRUCTION

Step 7

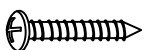


Bolt	Spring washer	Flat Washer	Allen Key
1/4 x 30	Ø10 x Ø6	Ø12 x Ø6	K4 x 90
			
⊘ x 8	⊘ x 8	⊘ x 8	⊘ x 1

Step 8



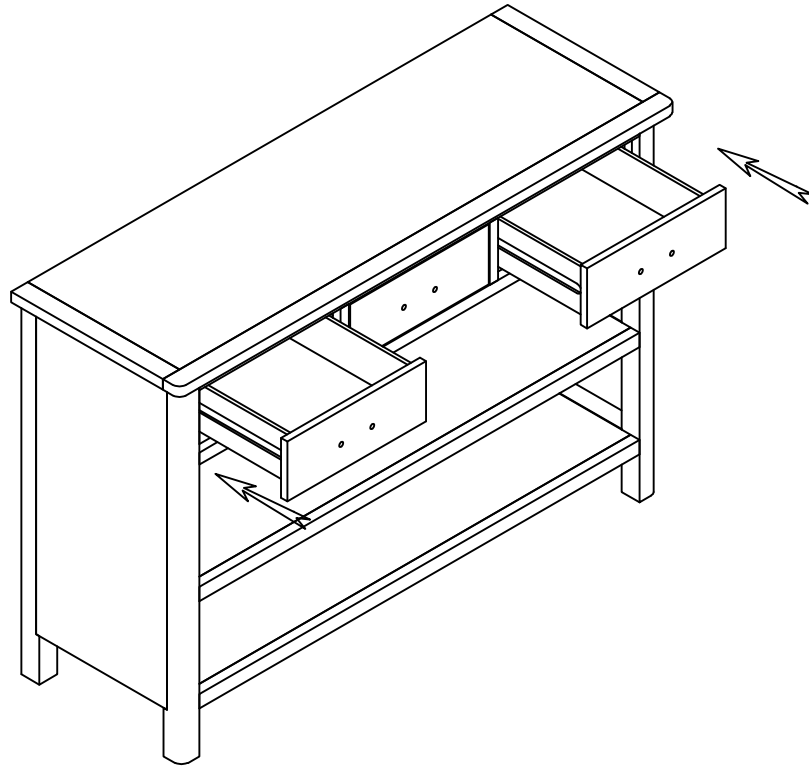
Mushroom screw
M3.5 x 15



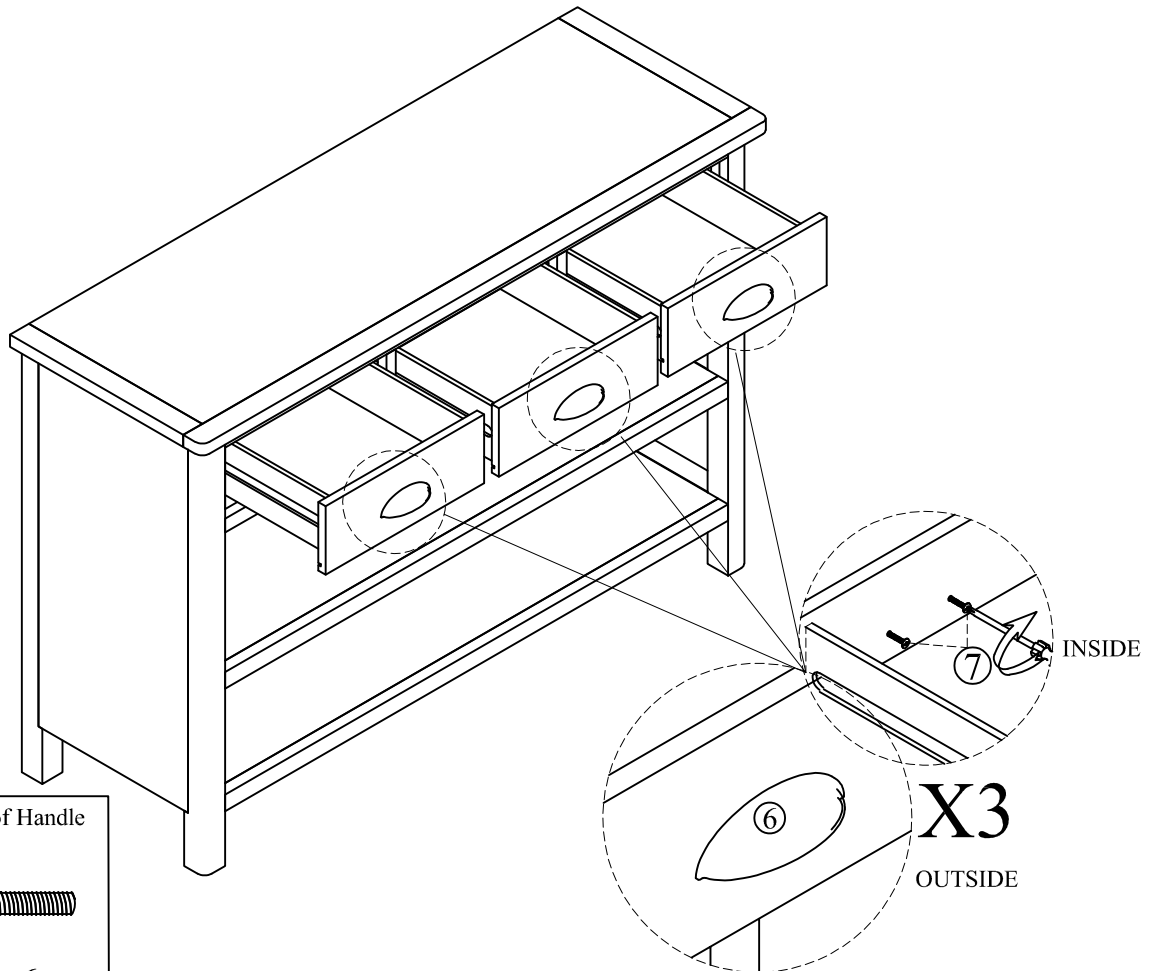
⊘ x 26

ASSEMBLY INSTRUCTION

Step 9



Step 10



Handle

Bolt of Handle

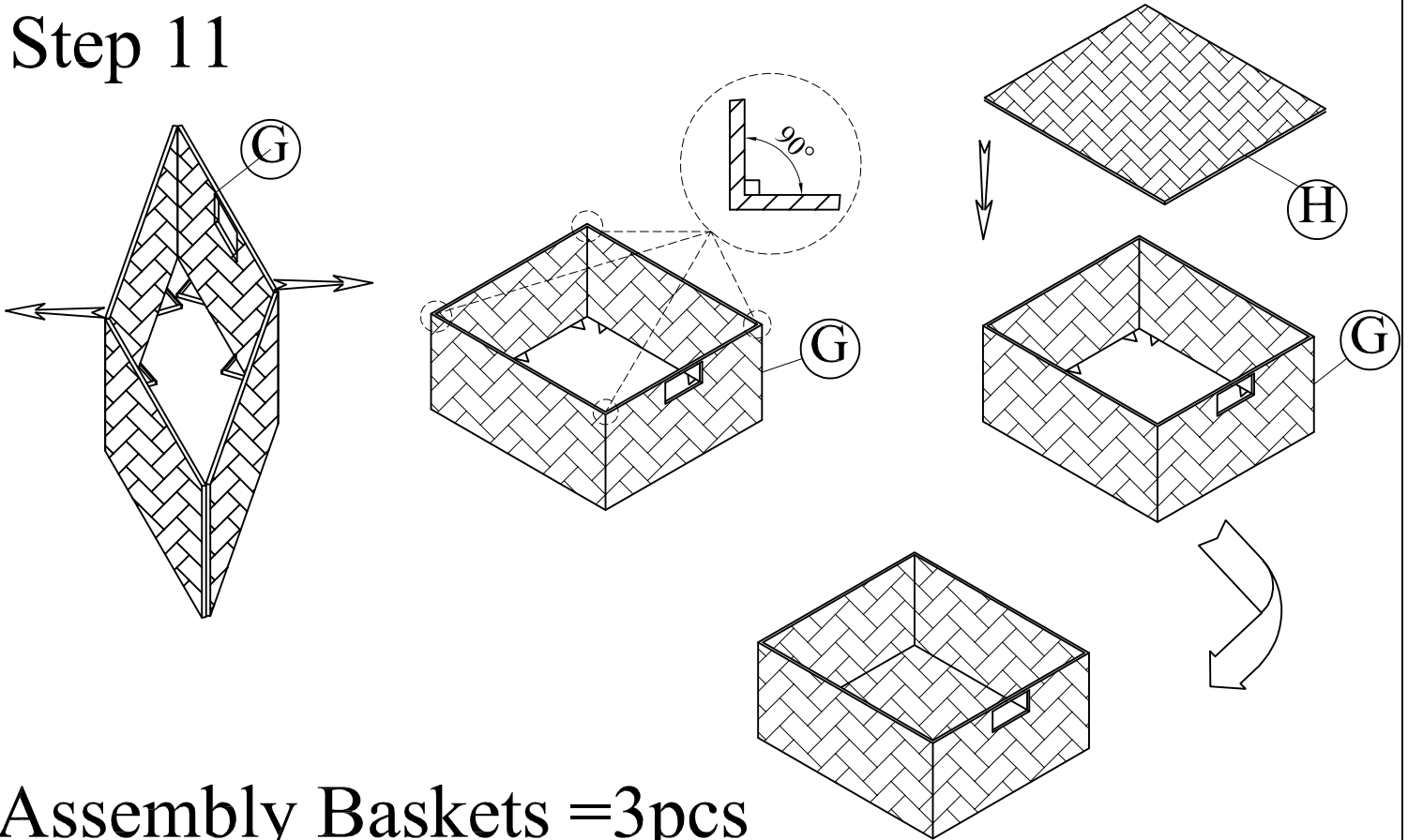


⑥ x 3

⑦ x 6

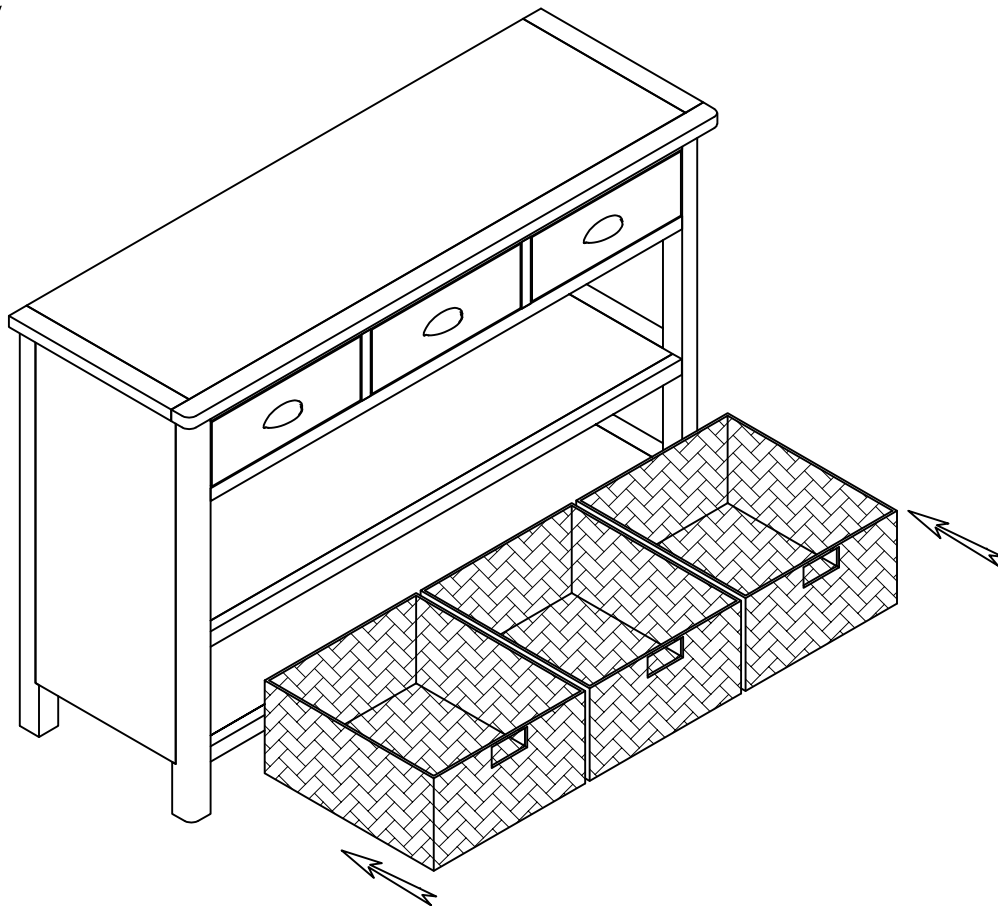
ASSEMBLY INSTRUCTION

Step 11



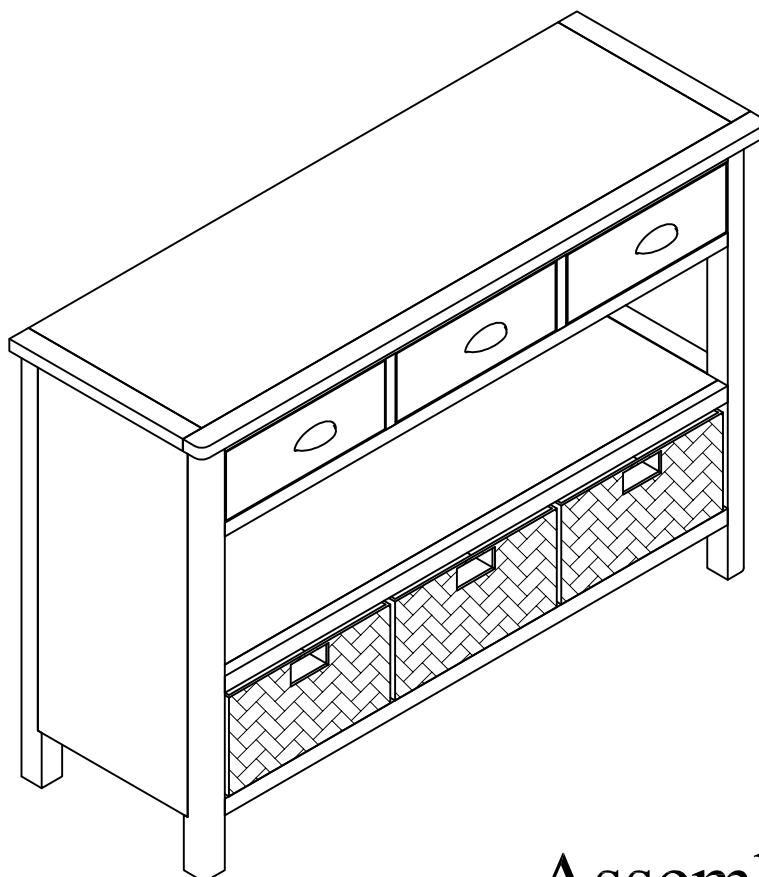
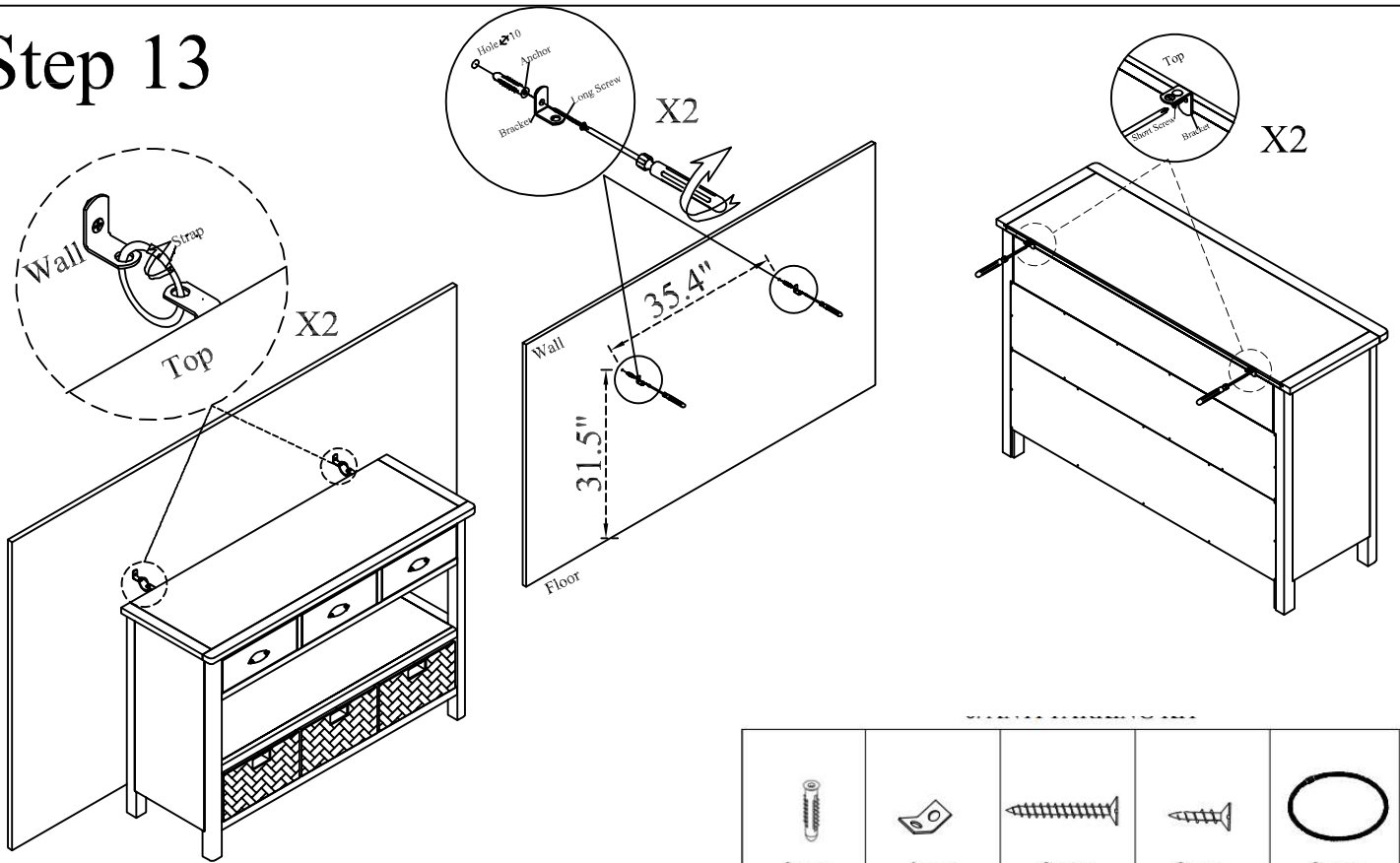
Assembly Baskets = 3 pcs

Step 12



ASSEMBLY INSTRUCTION

Step 13



Assembly Completed