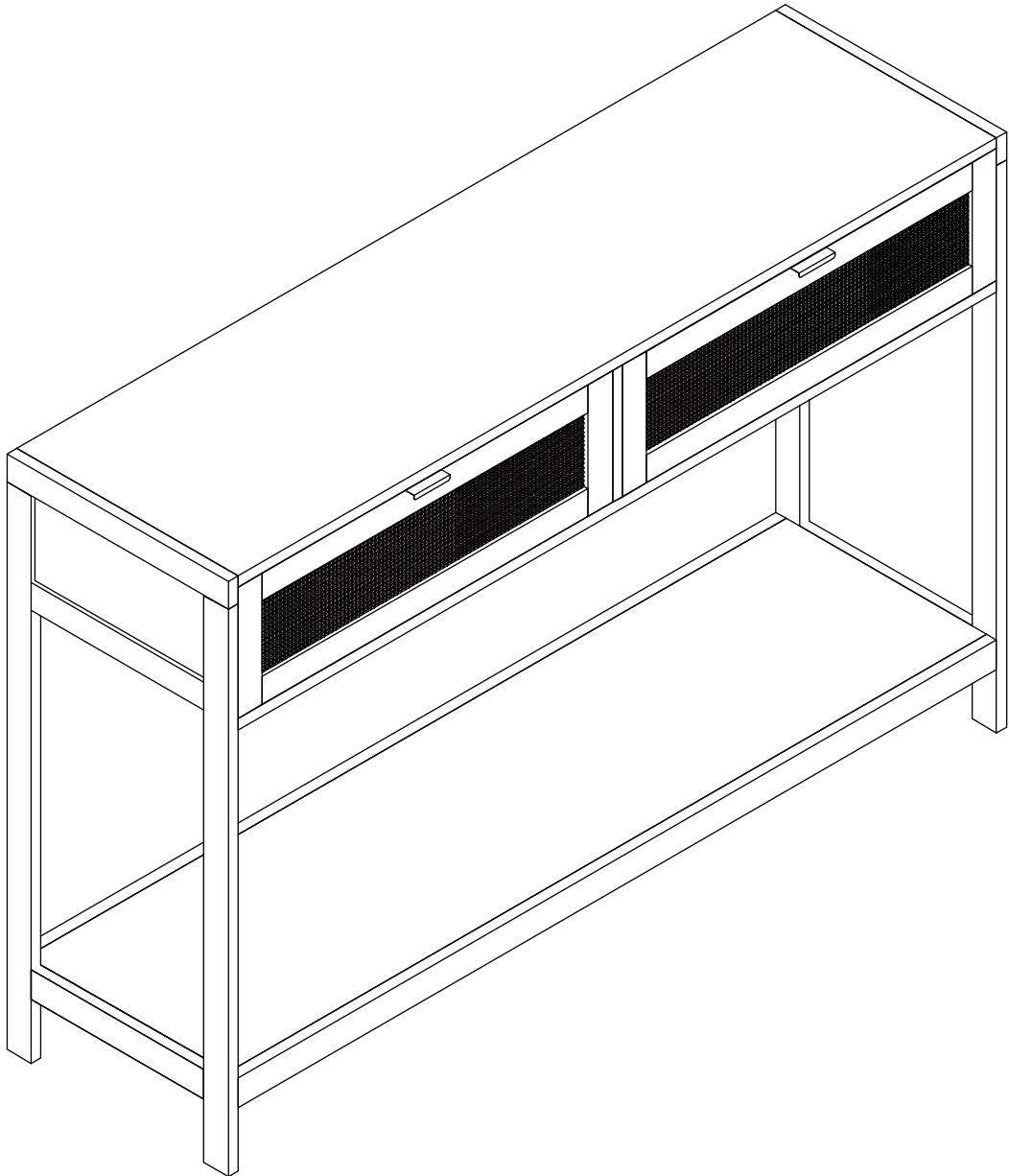
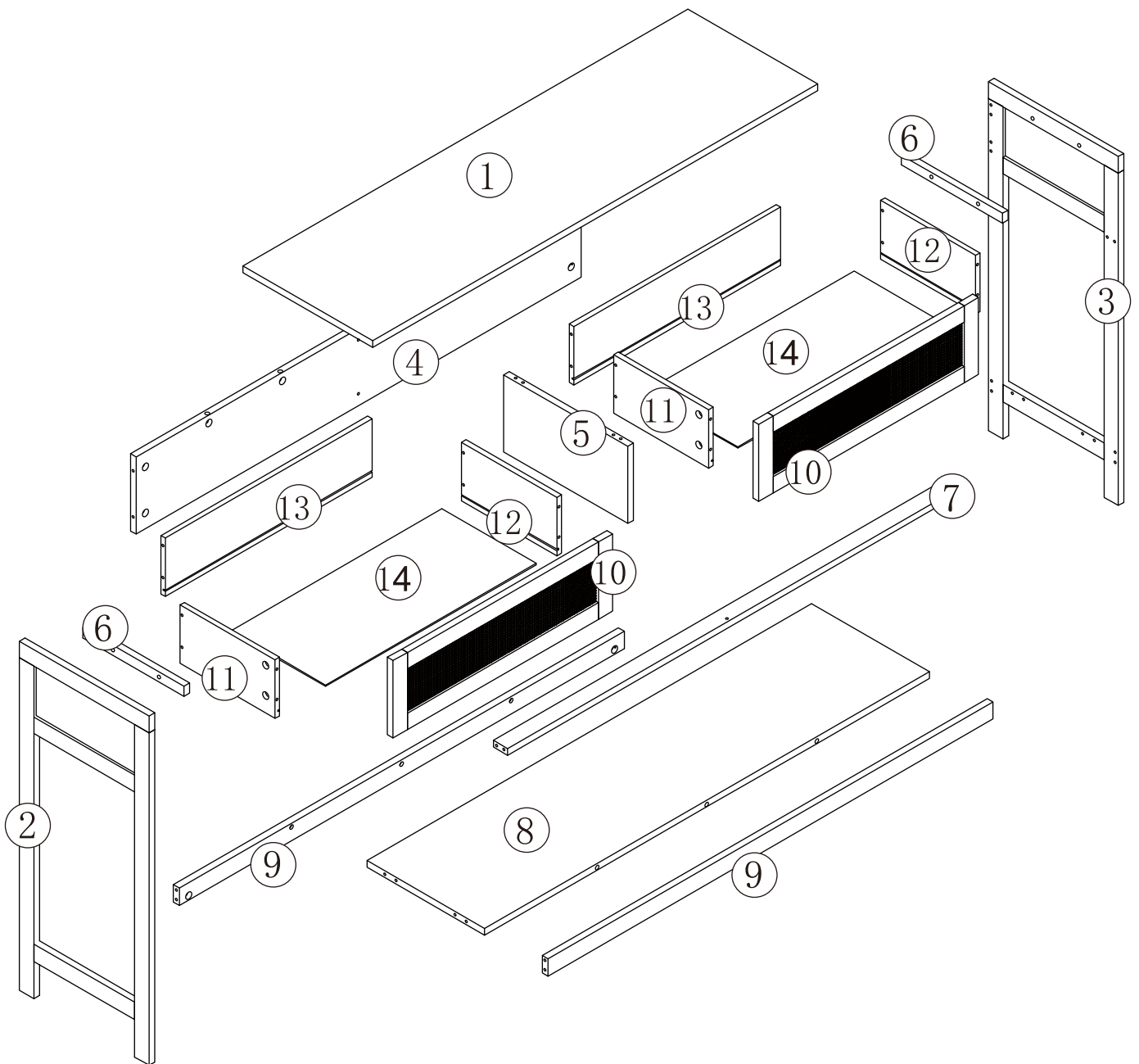



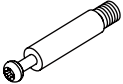
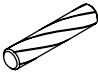
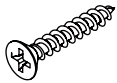
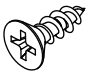
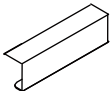
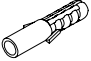





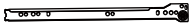
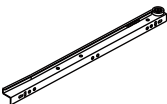
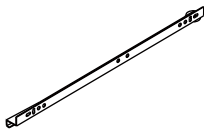
2406550

ASSEMBLY INSTRUCTIONS

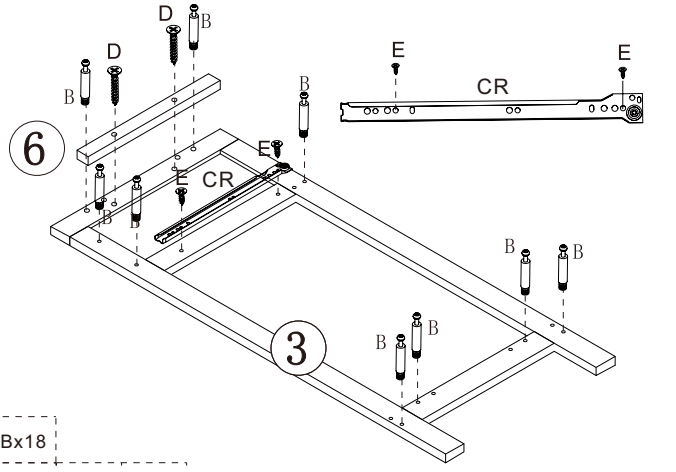
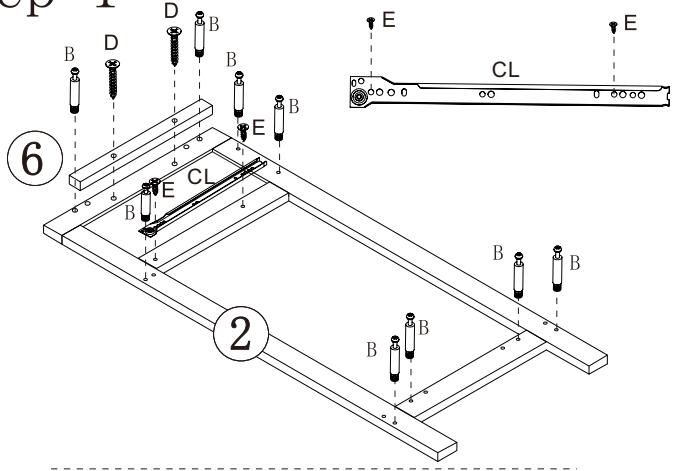
<<Before assembling, read all the instructions>>





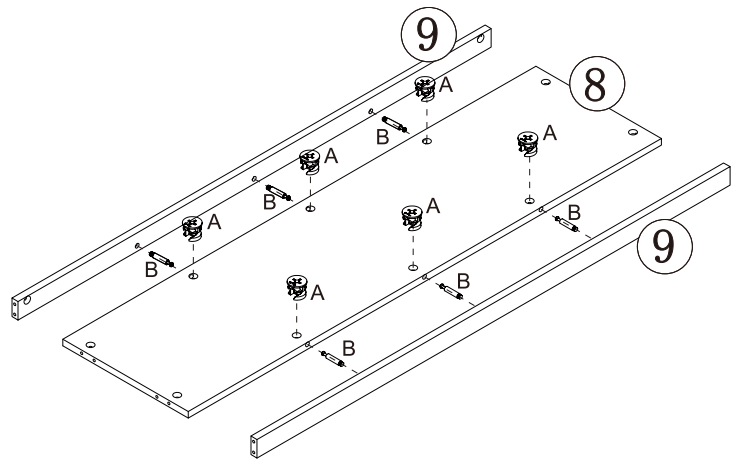
				
<b>Ax36</b>	<b>Bx36</b>	<b>Cx16</b>	<b>Dx15</b>	<b>Ex20</b>
				
<b>Fx2</b>	<b>Gx2</b>	<b>Hx2</b>	<b>Ix2</b>	<b>Jx2</b>
				
<b>Kx4</b>	<b>CLx2</b>	<b>CRx2</b>	<b>DLx2</b>	<b>DRx2</b>

# Step 1



- Bx18
  - Dx4
  - Ex4
  - CLx1
  - CRx1
- Fix nine pieces of Hardware B to Part 2&3 respectively  
 Connect Part 6 to 2&3 with Hardware D  
 Fix Hardware CL to Part 2 with Hardware E  
 Fix Hardware CR to Part 3 with Hardware E

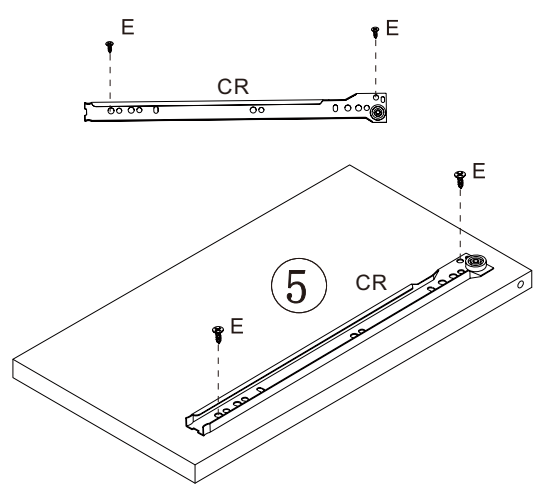
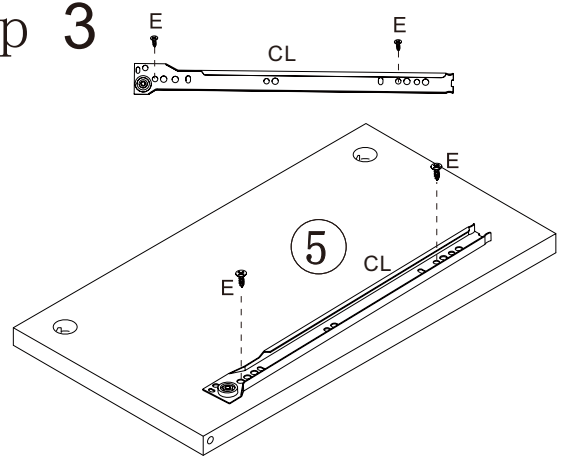
# Step 2



Connect two Part 9 to 8 with Hardware A/B

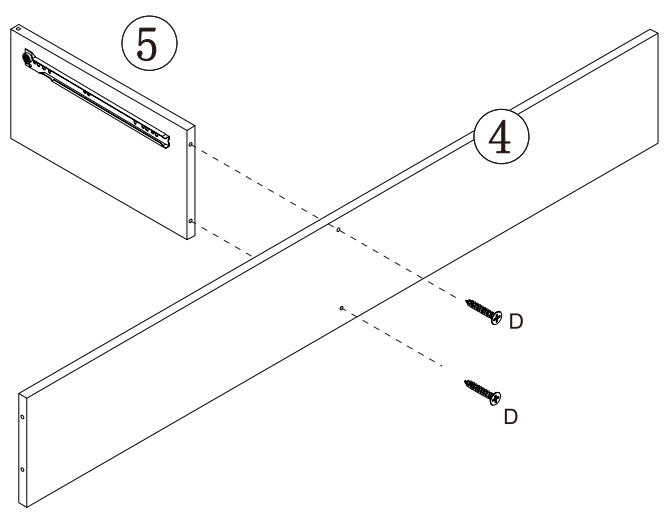
- Ax6
- Bx6

# Step 3



- Ex4
  - CLx1
  - CRx1
- Fix Hardware CL/CR to Part 5 with Hardware E

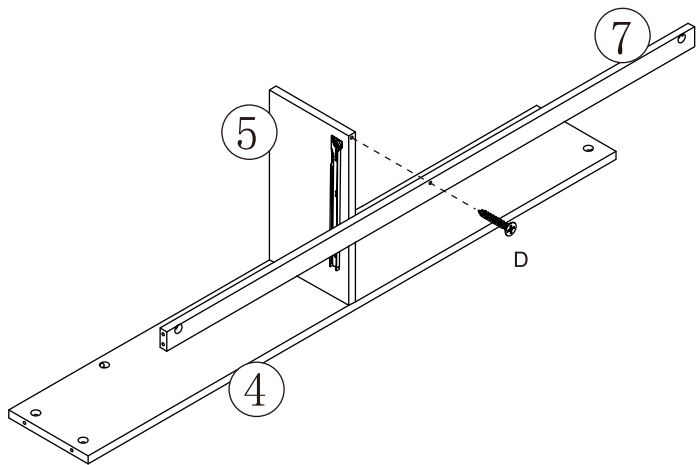
# Step 4



Connect Part 5 to 4 with Hardware D

- Dx2

# Step 5

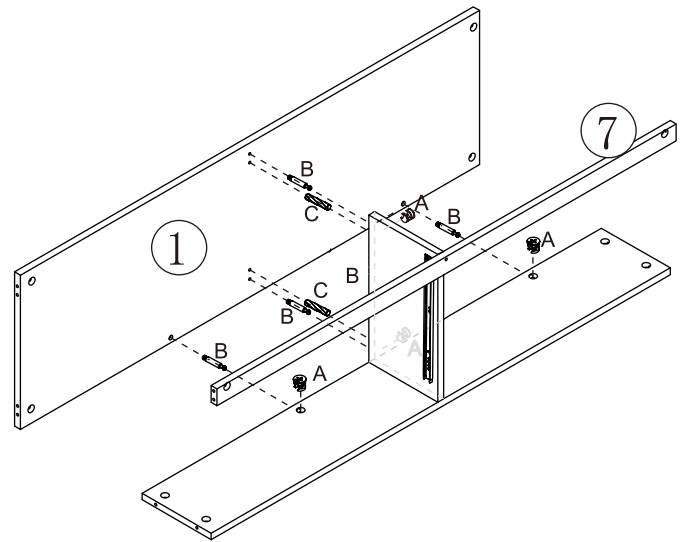


Connect Part 7 to 5 with Hardware D



Dx1

# Step 6



Connect Part 1 to 5 with Hardware A/B/C  
Connect Part 1 to 4 with Hardware A/B



Ax4

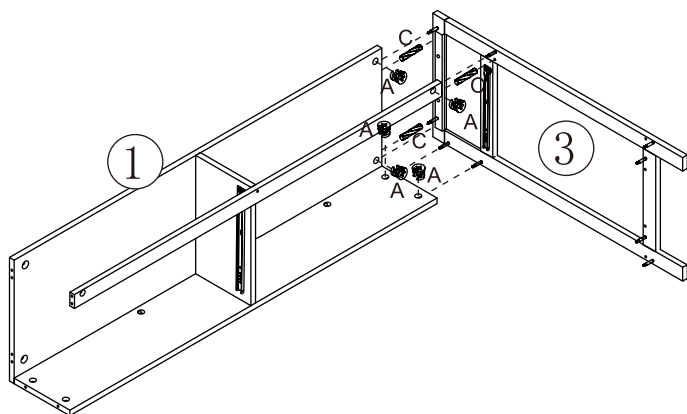


Bx4



Cx2

# Step 7



Connect Part 3 to 1/4/7 with five pieces of Hardware A and three pieces of C

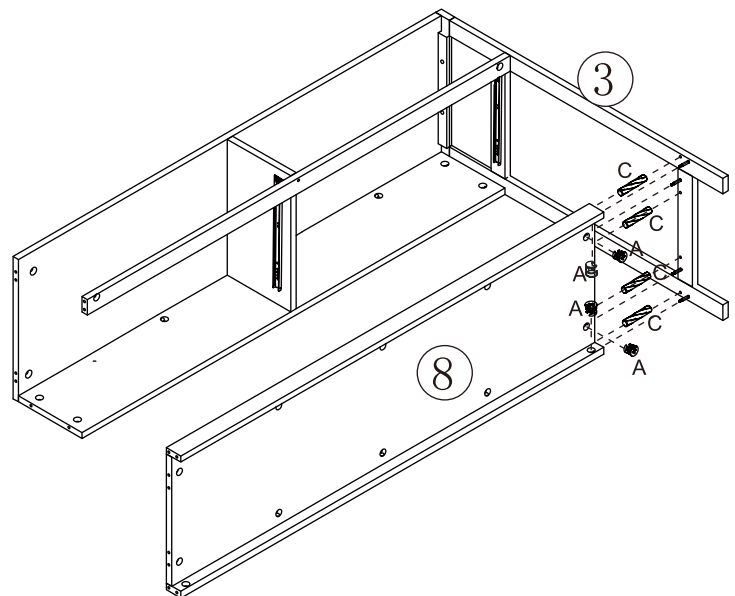


Ax5



Cx3

# Step 8



Connect Part 8 to 3 with Hardware A/C

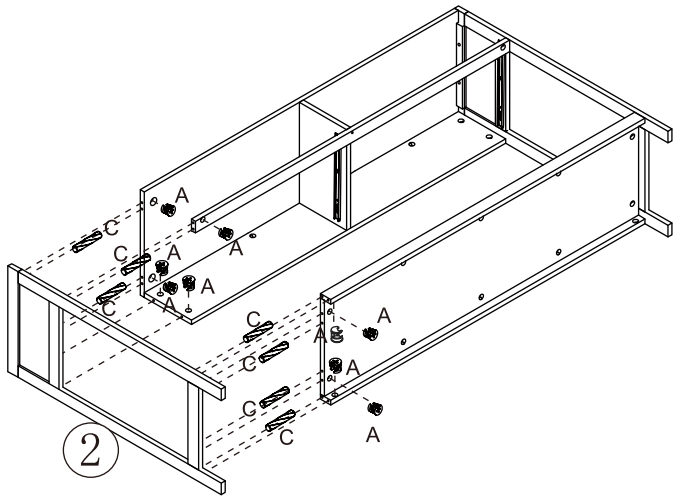


Ax4





Cx4

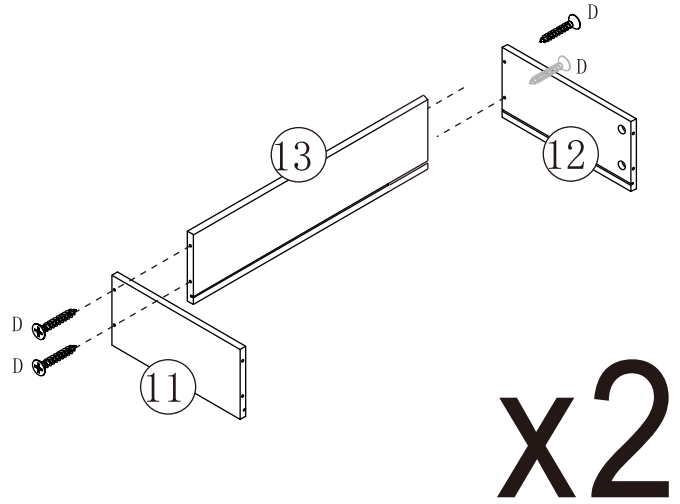
# Step 9




Connect Part 2 to 1&4&7&8 with nine pieces of Hardware A and seven pieces of C

-  Ax9
-  Cx7

# Step 10

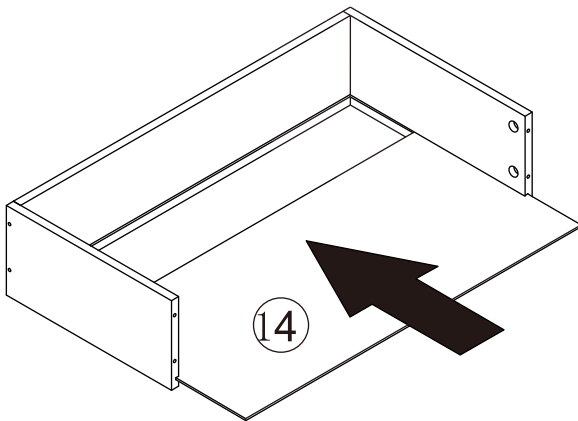


Connect Part 13 to 11&12 with Hardware D

-  Dx8

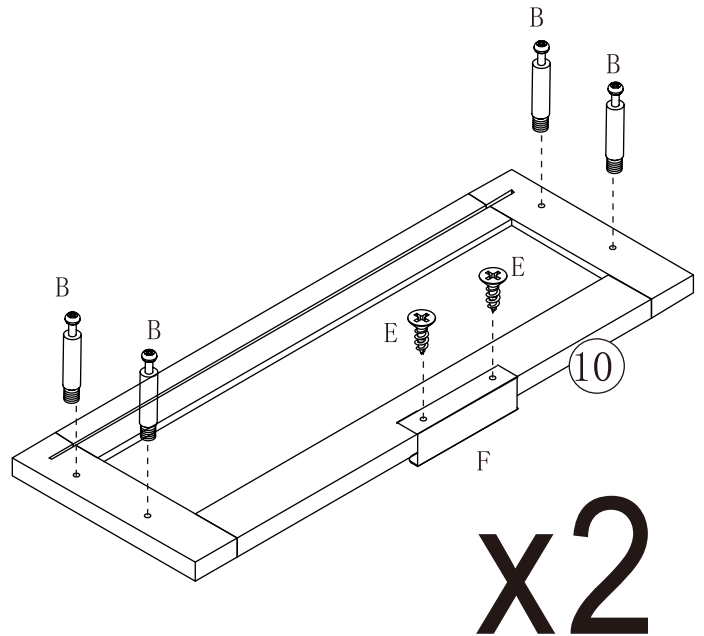
# Step 11

**x2**

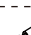
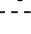
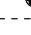


Slide Part 14 along the slots of 11&12&13

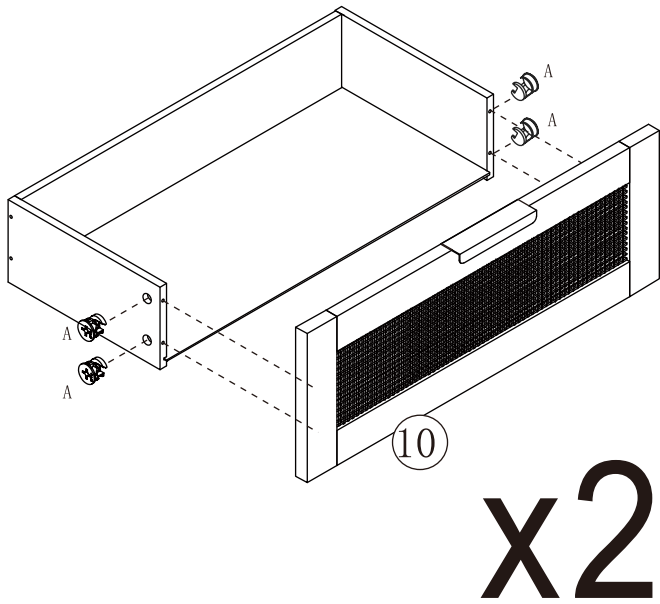
# Step 12



Fix Hardware B to Part 10  
Fix Hardware F to Part 10 with Hardware E

-  Bx8
-  Ex4
-  Fx2

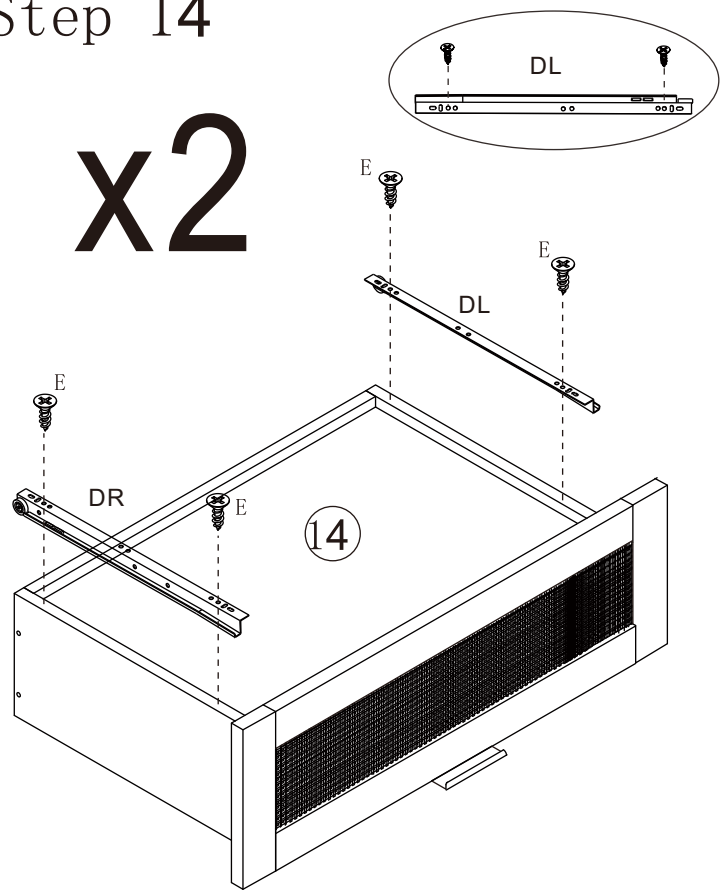
# Step 13



Lock Part 10 to 11&12 with Hardware A

Ax8

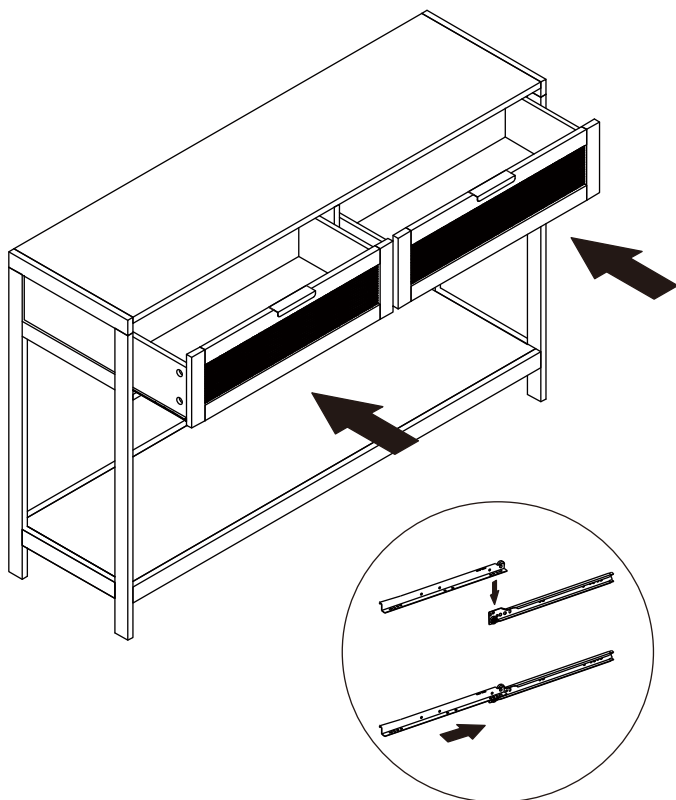
# Step 14



Turn the drawer upside down  
Fix Hardware DR to Part 12 with Hardware E  
Fix Hardware DL to Part 11 with Hardware E

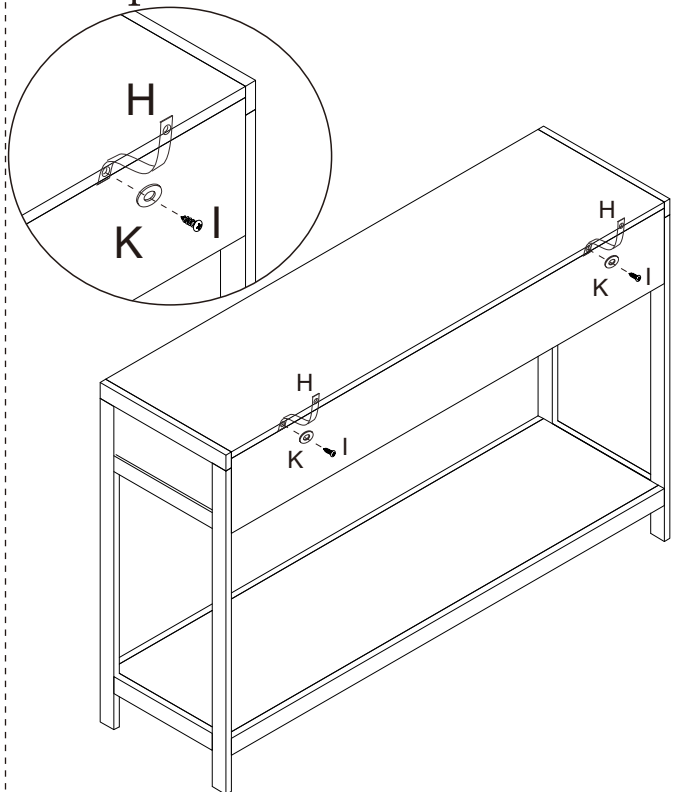
- Ex8
- DLx2
- DRx2

# Step 15



Push assembled drawers into console table along the drawer track

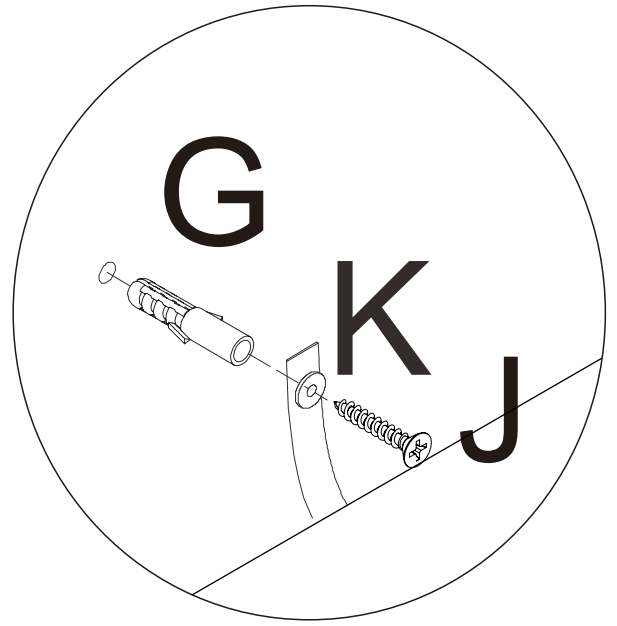
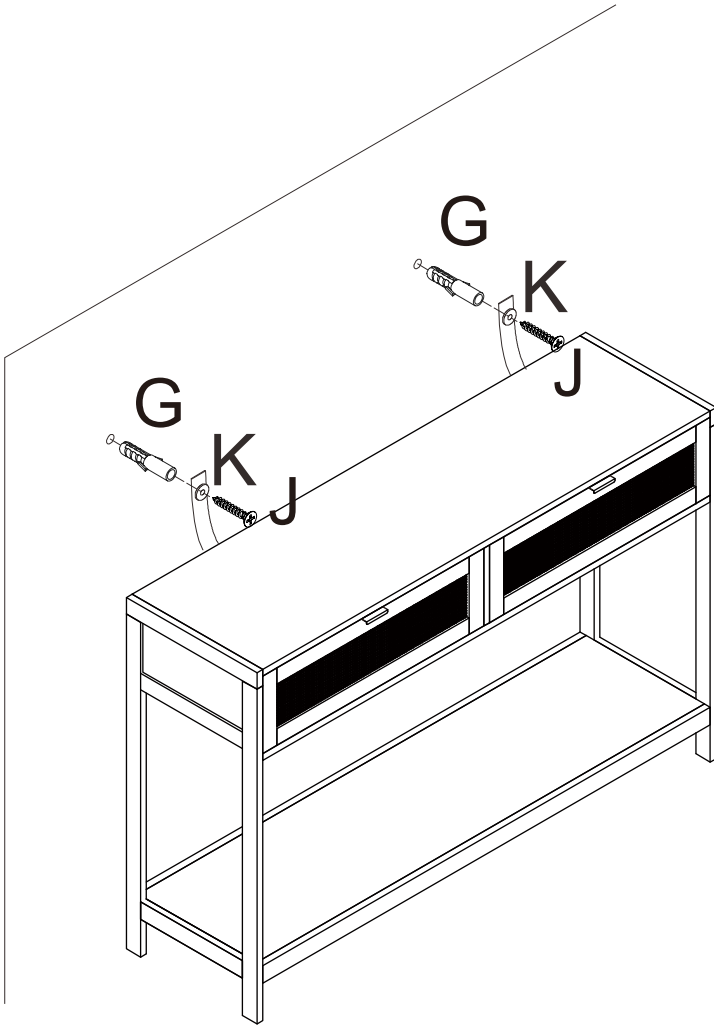
# Step 16



Fix Hardware H to Part 1 with Hardware K/I

- Kx2
- Hx2
- Ix2

# Step 17



Lock console table to the wall with Hardware G/J/K

## SAFETY NOTICE

### PREVENT FURNITURE TIP OVER ACCIDENTS

Free Standing Furniture above 600mm in height must be securely attached to the wall to prevent it from tipping over and causing injury.

Please Use the anti-tip restraint provided

One end of this restraint must be secured to the cabinet with the screw(s) provided in the fittings pack.

The other end of the restraint must be attached to the wall with hardware appropriate for that wall type.

Never put a TV or other heavy objects on top of a chest of drawers or any furniture not intended for use with a TV.

Place heavy objects in the lowest drawers or shelves

Never let children climb or hang on drawers, doors or shelves



Gx2



Jx2



Kx2